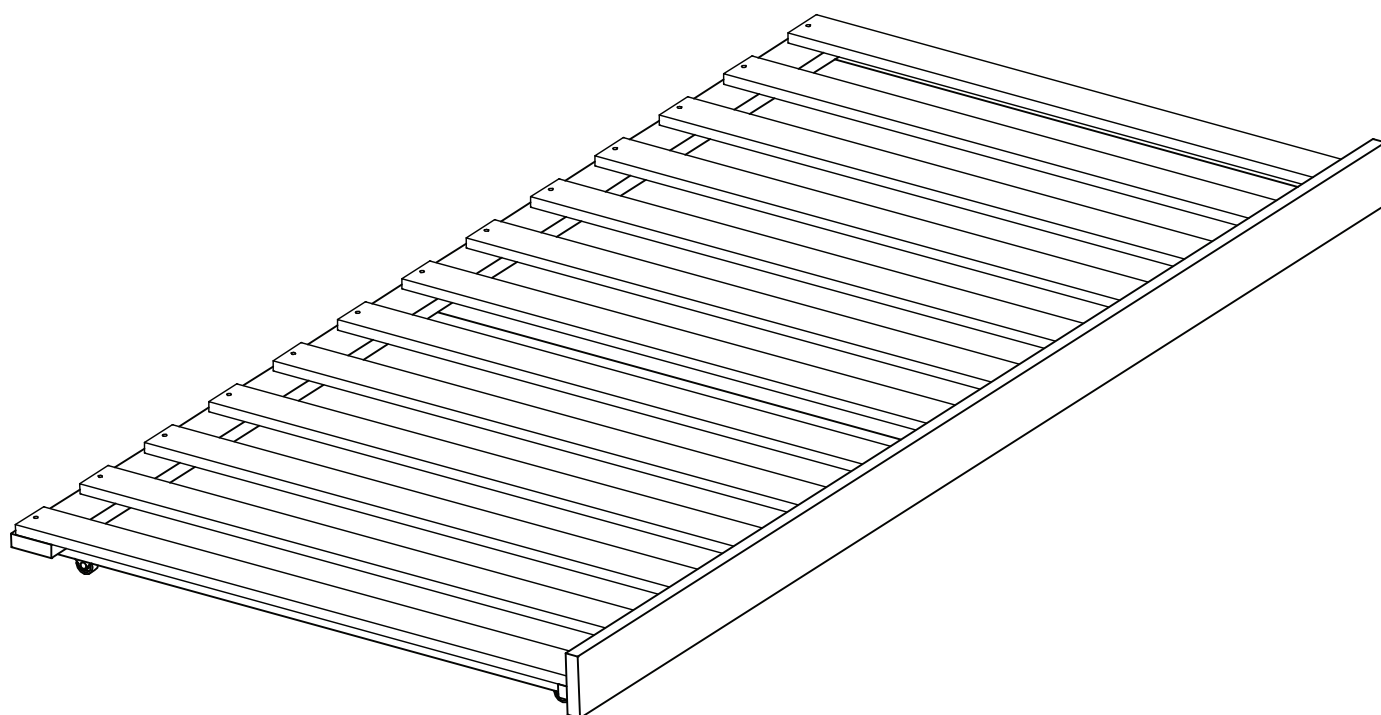


# Trundle bed - Grey 190x90 cm

Assembly Instructions - Please keep for future reference

8068752

HOME



## Dimensions

Length - 186cm

Depth - 93cm

Height - 12cm

Weight - 11kg

**Important – Please read these instructions fully before starting assembly**

If you need help or have damaged or missing parts, call the **Customer Helpline:**

**0045 7668 8055** or e-mail: [order@flexa.dk](mailto:order@flexa.dk)



# Safety and Care Advice

**Important – Please read these instructions fully before starting assembly**

- Check you have all the components and tools listed on pages 2 and 3.
- Remove all fittings from the plastic bags and separate them into their groups.
- Keep children and animals away from the work area, small parts could choke if swallowed.
- Make sure you have enough space to layout the parts before starting.

- Do not stand or put weight on the product, this could cause damage.
- Assemble the item as close to its final position (in the same room) as possible.
- Assemble on a soft level surface to avoid damaging the unit or your floor.
- Parts of the assembly will be easier with 2 people.



- We do not recommend the use of power drill/drivers **for inserting screws**, as this could damage the unit. Only use hand screwdrivers.
- Dispose of all packaging carefully and responsibly.

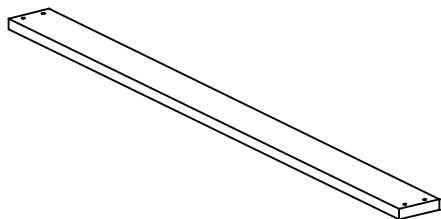
## Care and maintenance

- Only clean using a damp cloth and mild detergent, do not use bleach or abrasive cleaners.
- From time to time check that there are no loose screws on this unit.
- This product should not be discarded with household waste. Take to your local authority waste disposal centre.

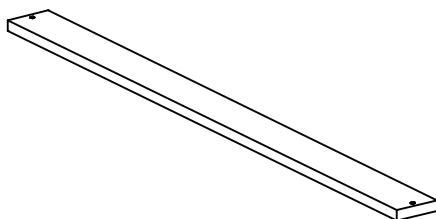
# Components - Parts

If you have damaged or missing components,  
call the **Customer Helpline: 0045 7668 8055**

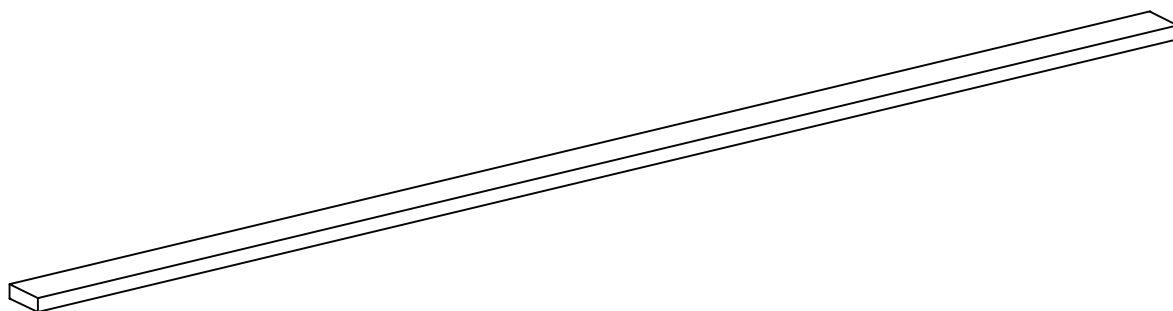
Please check you have all the parts listed below



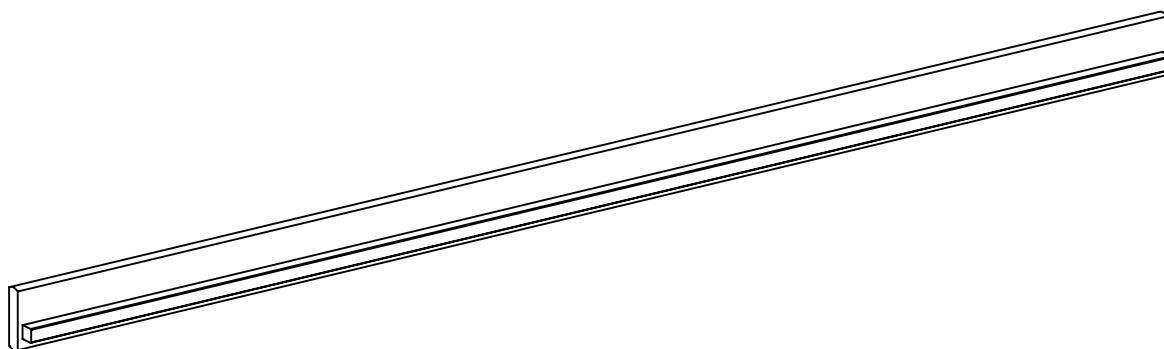
**1** Slat x3 (90.0x6.5x1.5cm)  
No. 12-01509001



**2** Slat x13 (89.7x6.5x1.5cm)  
No. 12-01508971



**3** Drawer back x1 (184.0x6.5x2.0cm)  
No. 12-02018401

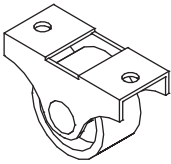
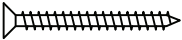
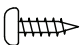


**4** Drawer front x1 (185.6x8.9x2.0cm)  
No. 1331-18561-65

# Components - Fittings

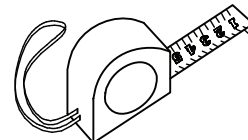
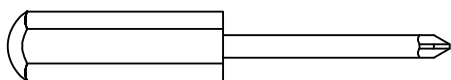
Please check you have all the fittings listed below

Note: The quantities below are the correct amount to complete the assembly. In some cases more fittings may be supplied than are required.

<b>A</b>   Ø26mm Castor white wheel x5	No. 4003-002  <b>B</b>  3,5x30mm Chipboard screw x41	No. 3901-35030  <b>C</b>  3,5x12mm Chipboard screw x10
--	---	---

## Tools required

Phillips  
screwdriver  
(medium)



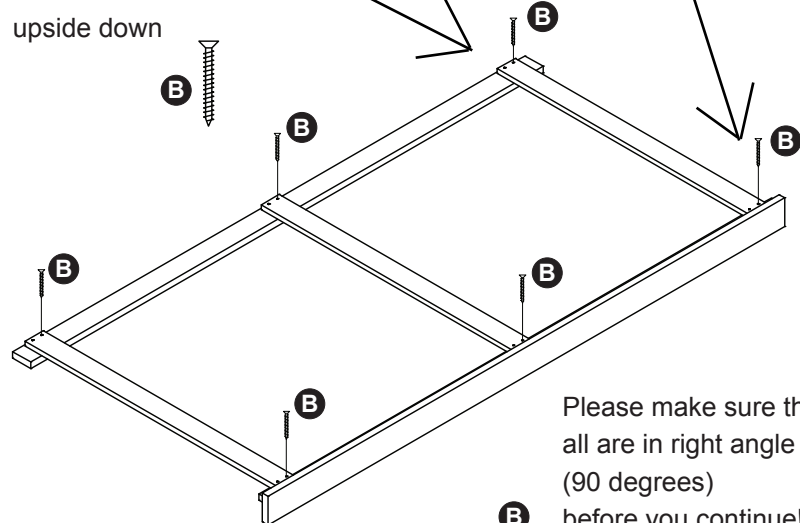
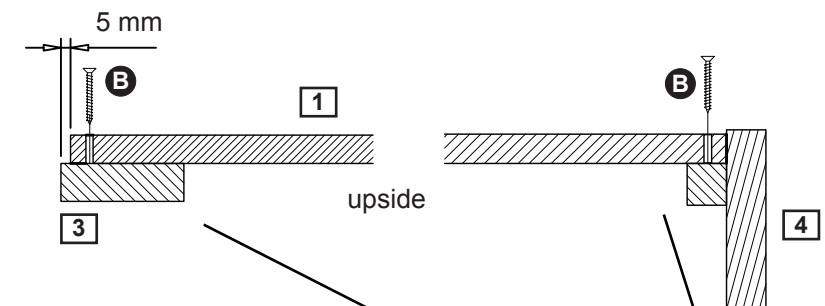
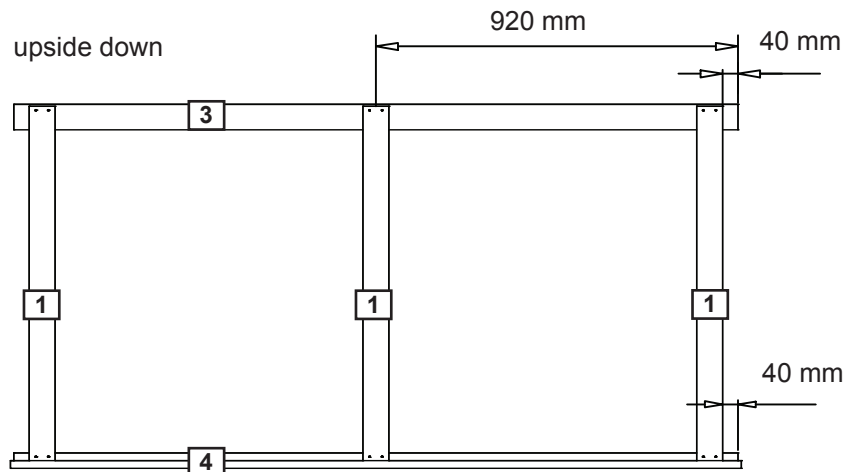
Ruler/tape  
measure

# Assembly Instructions

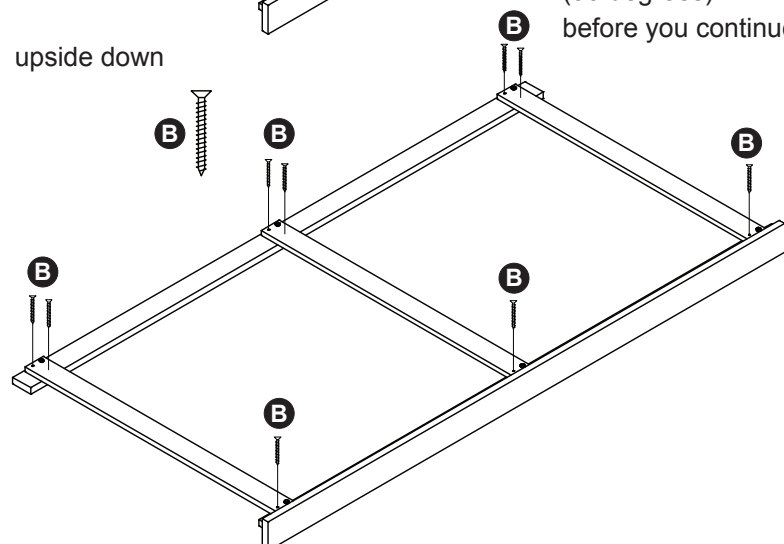
## Step 1

Attach the slats **1** to the drawer back **3** and to the drawer front **4** with screws **B**.

Please make sure that all are in right angle (90 degrees) before you continue!



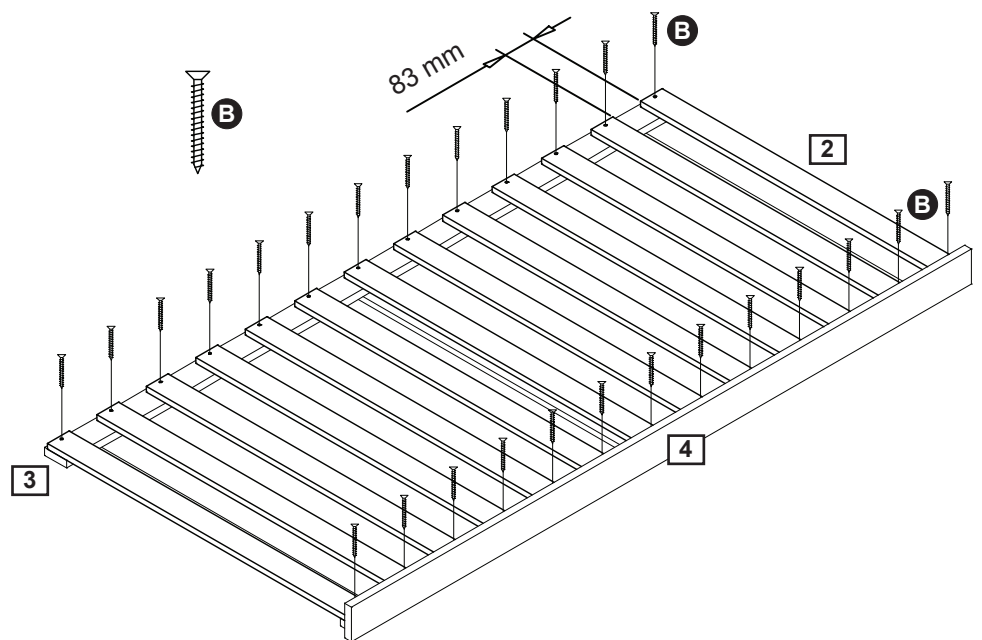
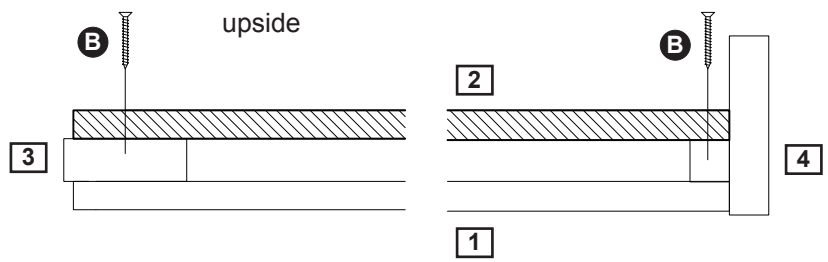
Please make sure that all are in right angle (90 degrees) before you continue!



# Assembly Instructions

## Step 2

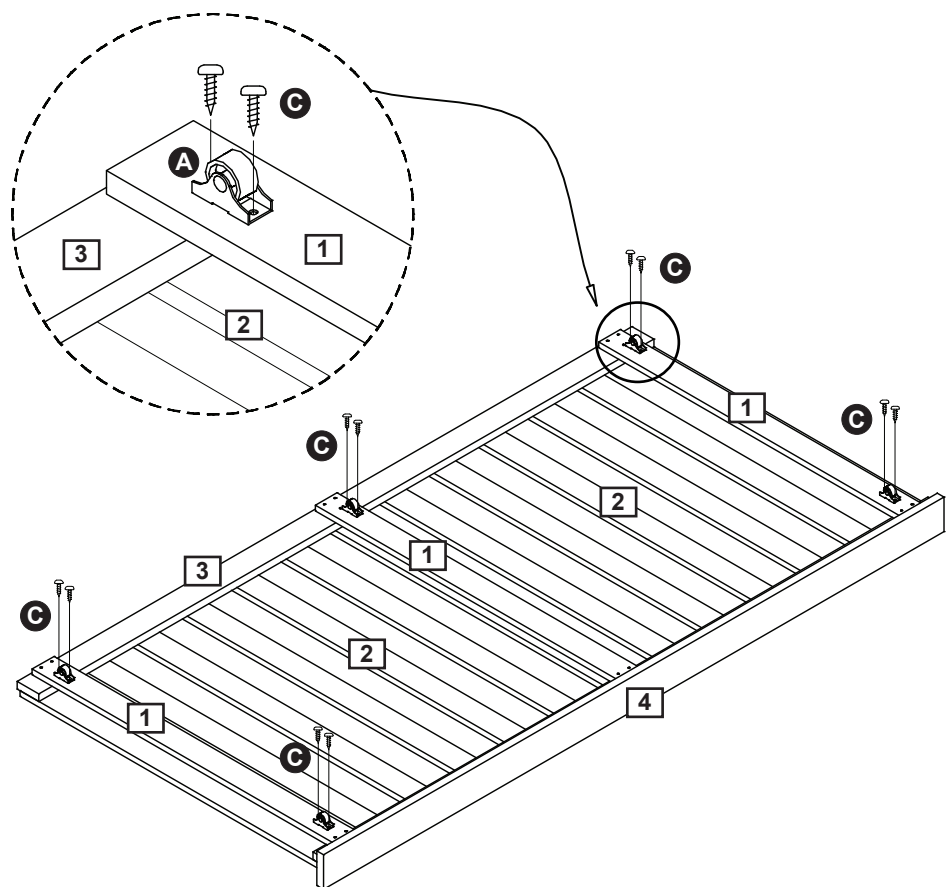
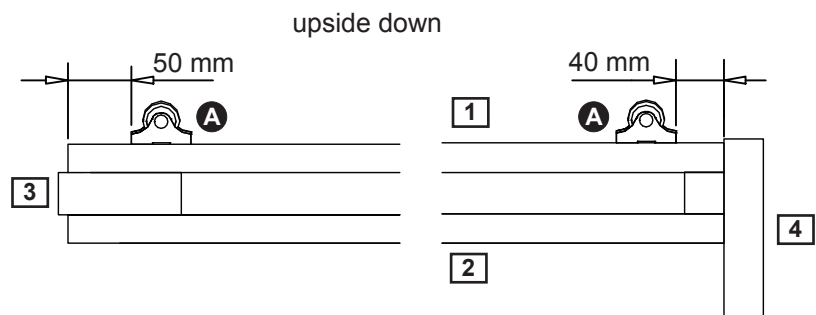
Attach the slats **2** to the drawer front **4** and the drawer back **3** with screws **B**.



# Assembly Instructions

## Step 3

Attach the castor wheels **A** to the slats **1** with the screws **C**.



Assembly is complete.

If you need help or have damaged or missing parts, call the **Customer Helpline: 0045 7668 8055**  
E-mail: [order@flexa.dk](mailto:order@flexa.dk)

# Your 2 Year Guarantee

## Peace Of Mind

### Knowing Your Furniture Is Protected

Protection received within the Manufacturer's Guarantee	Optional Added Protection with Furniture Care
Covers you for manufacturing defects for 2 years.	Covers you for <b>accidental damage</b> up to 3 years for incidents such as household spills, rips, tears and burns. Accidental damage cover begins from the moment your plan starts.
In the event of a problem within this time please call <b>0345 640 0800</b> , or visit an Argos store. Please retain your receipt and order number as proof of purchase.	If you want to purchase Furniture Care visit <b><a href="https://argos.productaftercare.co.uk">https://argos.productaftercare.co.uk</a></b> or go into an Argos store.
Key exclusions applying to both the Manufacturer's Guarantee and Furniture Care include where the fault is due to misuse, abuse, deliberate damage, wear and tear, neglect, use in contravention with the instructions, or if the product has been the subject of unauthorised alterations or commercial use (for full list of exclusions please visit <b><a href="https://argos.productaftercare.co.uk">https://argos.productaftercare.co.uk</a></b> or visit an Argos store for more information). You have up to 45 days post purchase to take out Furniture Care. Terms and conditions apply. Your statutory rights remain unaffected.	

## Register

### For Your Manufacturer's Guarantee

Thank you for choosing Argos Home.  
We hope you love your shiny new things!

To provide you with the best possible after sales service, don't forget to visit **<https://argos.productaftercare.co.uk>** where you can **register** for your guarantee.

Once you've registered, you can upload your receipt to store safely online, alongside details of our after sales support service, ready at hand should you need it.

You can also take out Furniture Care which protects you against accidental damage, from the moment you take the plan out, to keep your new furniture looking newer for longer.

**Register Today**

<https://argos.productaftercare.co.uk>