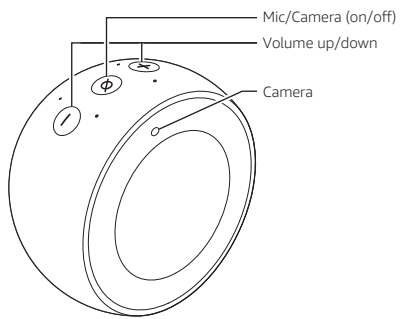


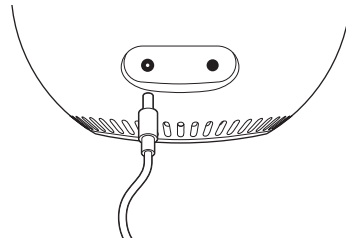
## Getting to know your Echo Spot



Also included: Power adaptor

## 1. Plug in your Echo Spot

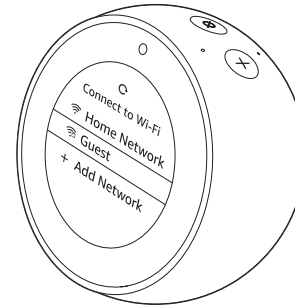
Plug the power adaptor into your Echo Spot and then into an electrical socket. You must use the items included in the original Echo Spot package for optimal performance. In about a minute, the display will turn on and Alexa will greet you.



## 2. Set up your Echo Spot

Follow the on-screen instructions to set up your Echo Spot. During setup, you will connect your Echo Spot to the Internet, so you can access Amazon services. Please make sure you have your Wi-Fi password.

To learn more about Echo Spot, go to Help in the Alexa App or visit [www.amazon.com/devicesupport](http://www.amazon.com/devicesupport).



## Getting started with your Echo Spot

### Interacting with your Echo Spot

- To power your Echo Spot on and off, press and hold the Mic/Camera button.
- A short press of the Mic/Camera button will turn off the microphones and camera, and the LED will turn red.
- When idle, your Echo Spot will automatically turn on when you say "Alexa".
- To access Settings, swipe down from the top of the screen.
- See the Things to Try card to help you get started.

### Alexa App

Download the Alexa App from the app store. The app helps you get more out of your Echo Spot. It's where you see an overview of your requests and manage your contacts, lists, news, music and settings. You can also start the setup process from your computer browser.

For India Customers: <https://alexa.amazon.in>

For UK Customers: <https://alexa.amazon.co.uk>

### Give us your feedback

Alexa will improve over time, with new features and ways to get things done. We want to hear about your experiences. Use the Alexa App to send us feedback or visit [www.amazon.com/devicesupport](http://www.amazon.com/devicesupport).