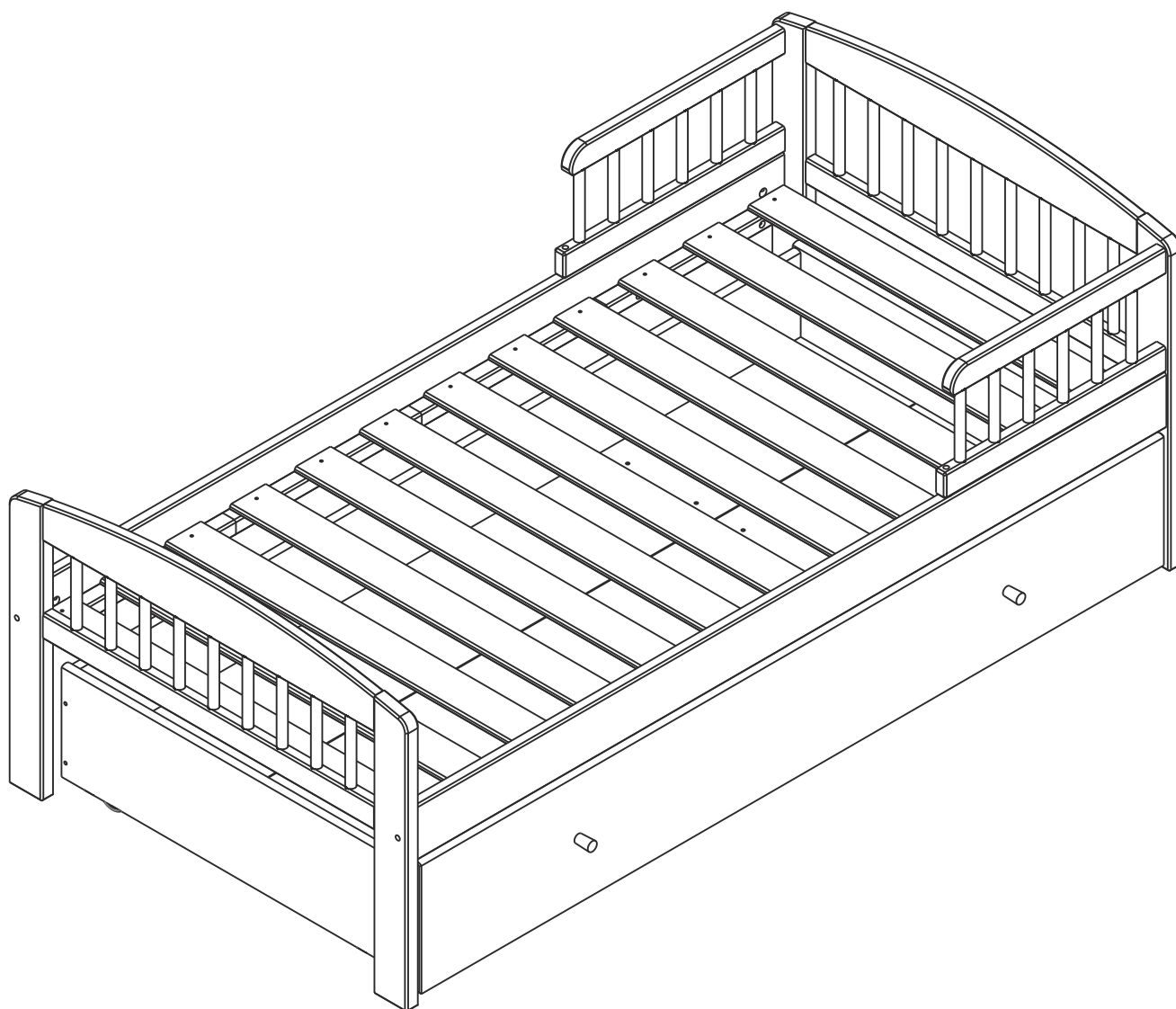


Jesse

 habitat



Spare Parts

 www.argos-support.co.uk

 Help@ClickSpares.co.uk

 0370 112 1928

Customer Support

 0345 640 2020



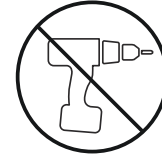
Safety and Care Advice

Product Details Jesse Toddler Bed With Drawer - White 964/ 5246
Navy Blue 660/ 9034

IMPORTANT! KEEP IT FOR FUTURE REFERENCE: READ CAREFULLY.

- Keep children and animals away from the work area, small parts could choke if swallowed.
- Make sure you have enough space to layout the parts before starting.
- This product has been constructed to be used in the domestic environment only and not for commercial purpose.

- Assemble the item as close to its final position (in the same room) as possible.
- Assemble on a soft level surface to avoid damaging the unit or your floor.



- We do not recommend the use of power drill/drivers for inserting screws as this could damage the unit. Only use hand screwdrivers.
- Parts of the assembly will be easier with 2 people.
- Dispose of all packaging carefully and responsibly.

Care and maintenance

- Use a dry cloth to clean the product, furniture polish is not recommended.
- From time to time check that there are no loose screws, nuts or bolts. If there are please re-tighten.
- This product should not be discarded with household waste. Take to your local authority waste disposal centre.

Additional Guidance

- Assemble all parts and bolts loosely during assembly, only once the product is complete should you fully tightened the bolts.
- Regularly check and ensure that all bolts and fittings are tightened properly.
- Maximum user weight 100kg
- This product is compliant BS8509
- FIRA FRQG 001; FIRA FRQG 004



Safety and Care Advice

Product Details Jesse Toddler Bed With Drawer - White 964/ 5246
Navy Blue 660/ 9034

IMPORTANT! KEEP IT FOR FUTURE REFERENCE: READ CAREFULLY.

Warnings for the bed

Warning: Do not place this child's bed near heat sources, windows and other furniture

Warning: Do not use this child's bed if any part is broken, torn or missing.

Warning: The bed is suitable for children age 18 months to 4 years.

-Designed and manufactured to BS8509 : 2008 + A1: 2011

- This product is suitable for children in the age range of 18 months to 4 year children for which the product is designed .

-Model: 964/5246 - 660/9034

-Retailer: Argos

- The bed is suitable for children age 18 months to 4 years.

- The bed is suitable for a mattress of 140cm in length and 69cm in width.

- Periodically check that all fittings are always properly tightened.

- Children are likely to play, bounce, jump and climb on beds,

herefore the child's bed should not be placed too close to other,

furniture or windows,blind cords, curtain pulls or other strings or cords and should be placed either tight to any wall or have a gap of 300mm between the wall and side of the bed.

This bed is not designed to be disigned to be dismantled for storage or transportation.

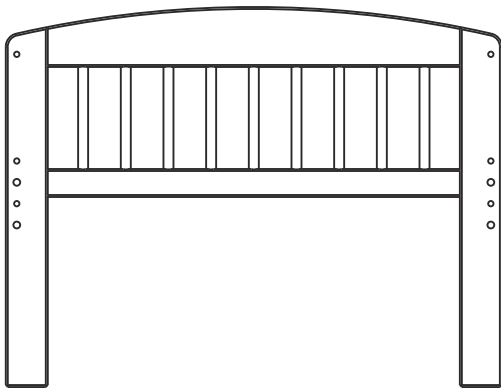
Any additional or replacements parts are obtained from Customer Support: 0345 640 2020, or Spare Parts 0370 112 1928.

- Assembly to be carried out by a competent adult!

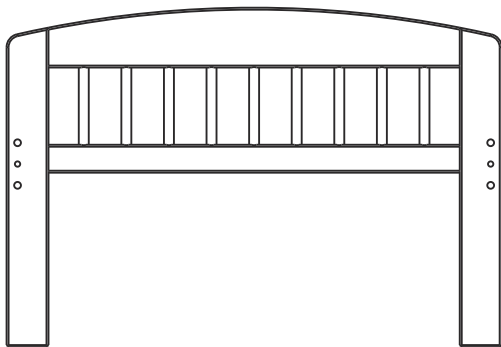
-During assembly children should be kept away from the product due to possible risk of injury.

- Do not use this item if any components are missing or damaged.

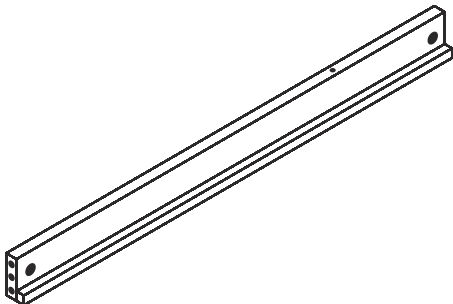
Panels



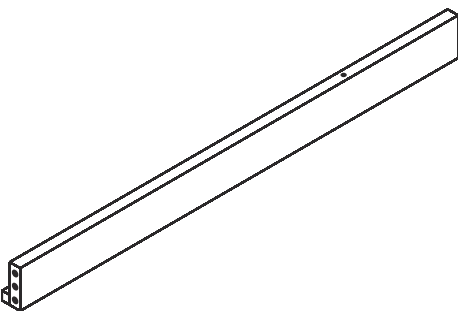
1 Headboard (744 x 570mm)



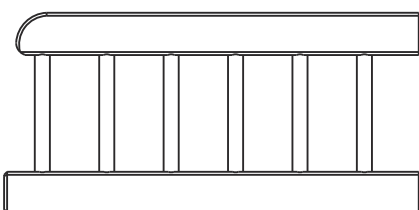
2 Footboard (744 x 510mm)



3 Left side rail (1400 x 90mm)



4 Right side rail (1400 x 90mm)



5 Guard rail (x02) (412 x 197mm)



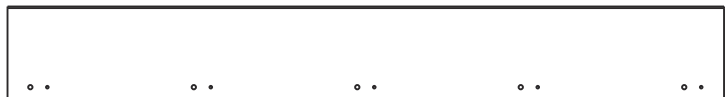
6 Slat (x11) (690 x 70mm)



7 Labelled Slat (690 x 70mm)



8 Drawer front (1390 x 210mm)



9 Drawer back (1350 x 175mm)



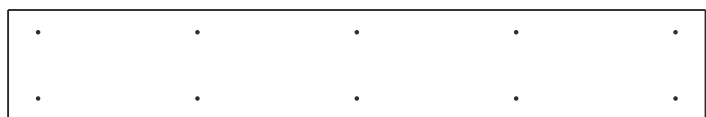
10 Drawer right side (660 x 180mm)



11 Drawer left side (660 x 180mm)

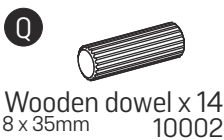
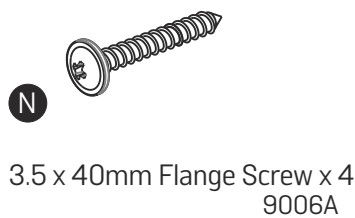
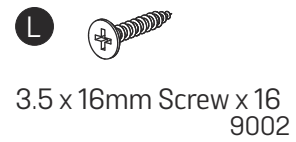
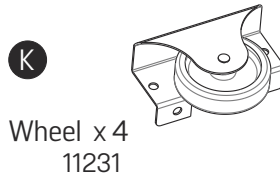
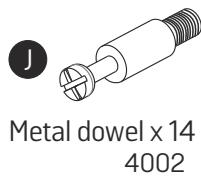
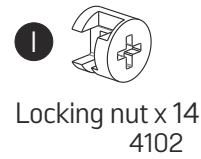
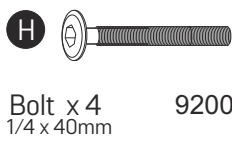
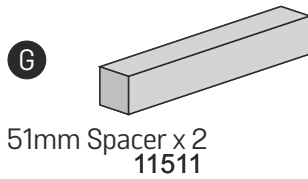
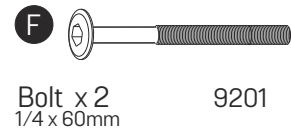
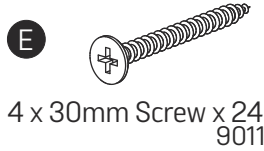
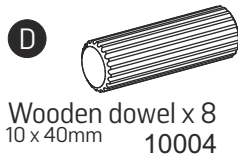
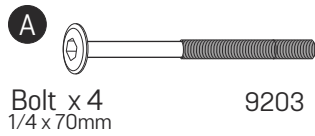


12 Drawer Support (x05) (645 x 65mm)

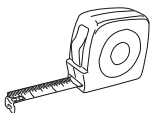


13 Base (x03) (1348 x 214mm)

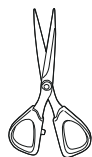
Fittings



Tools required



Ruler/tape
measure



Scissors

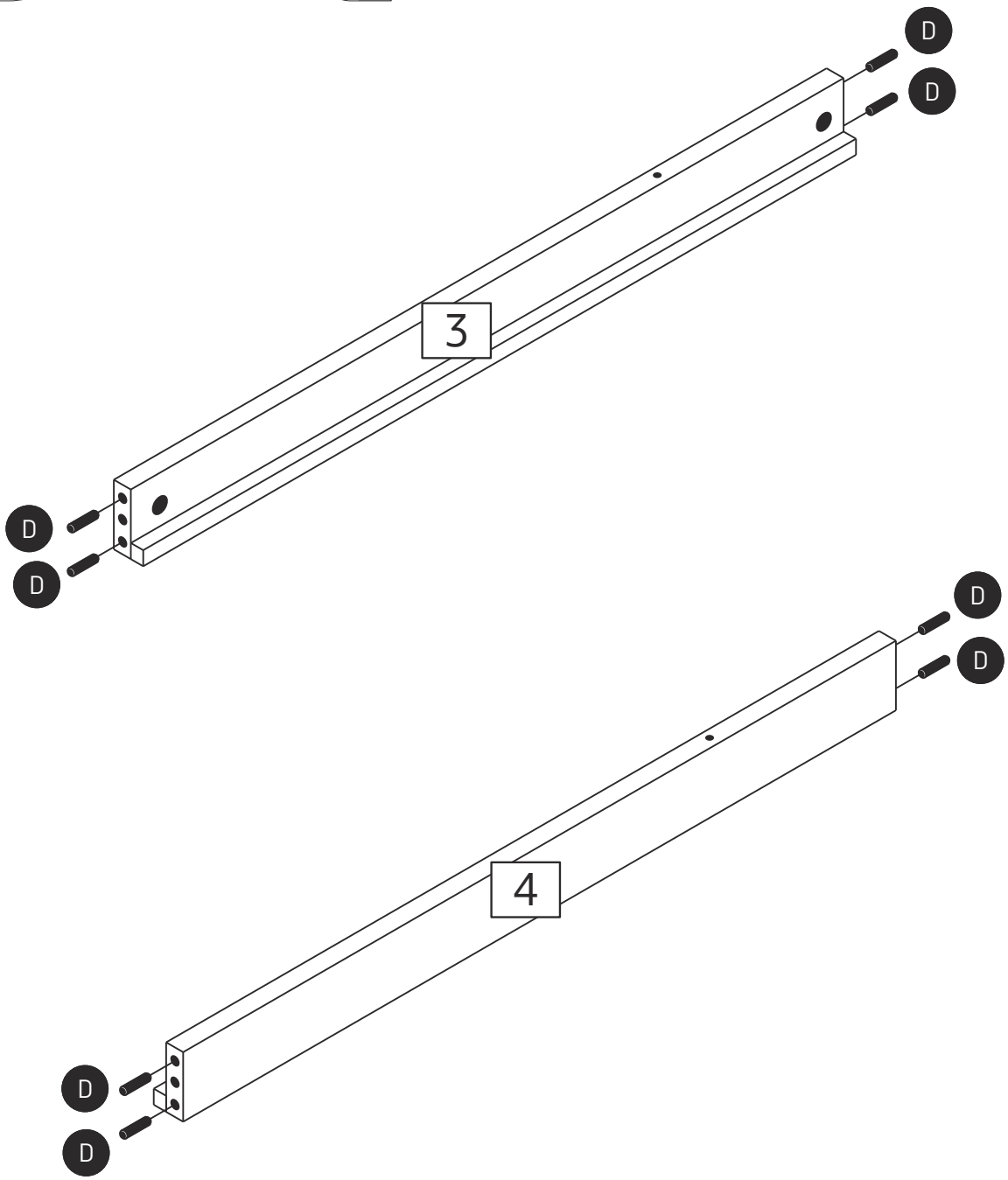
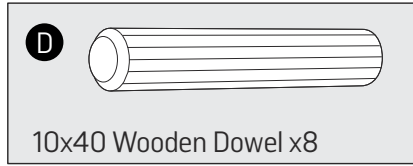
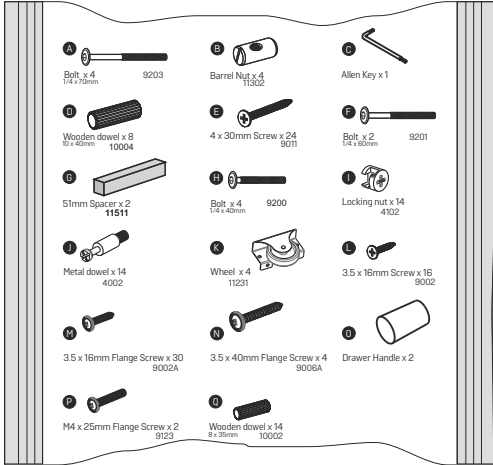


Cross-head screwdriver
(small & medium)

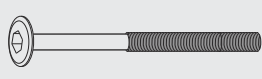


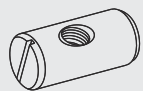
Small
hammer

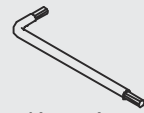
1

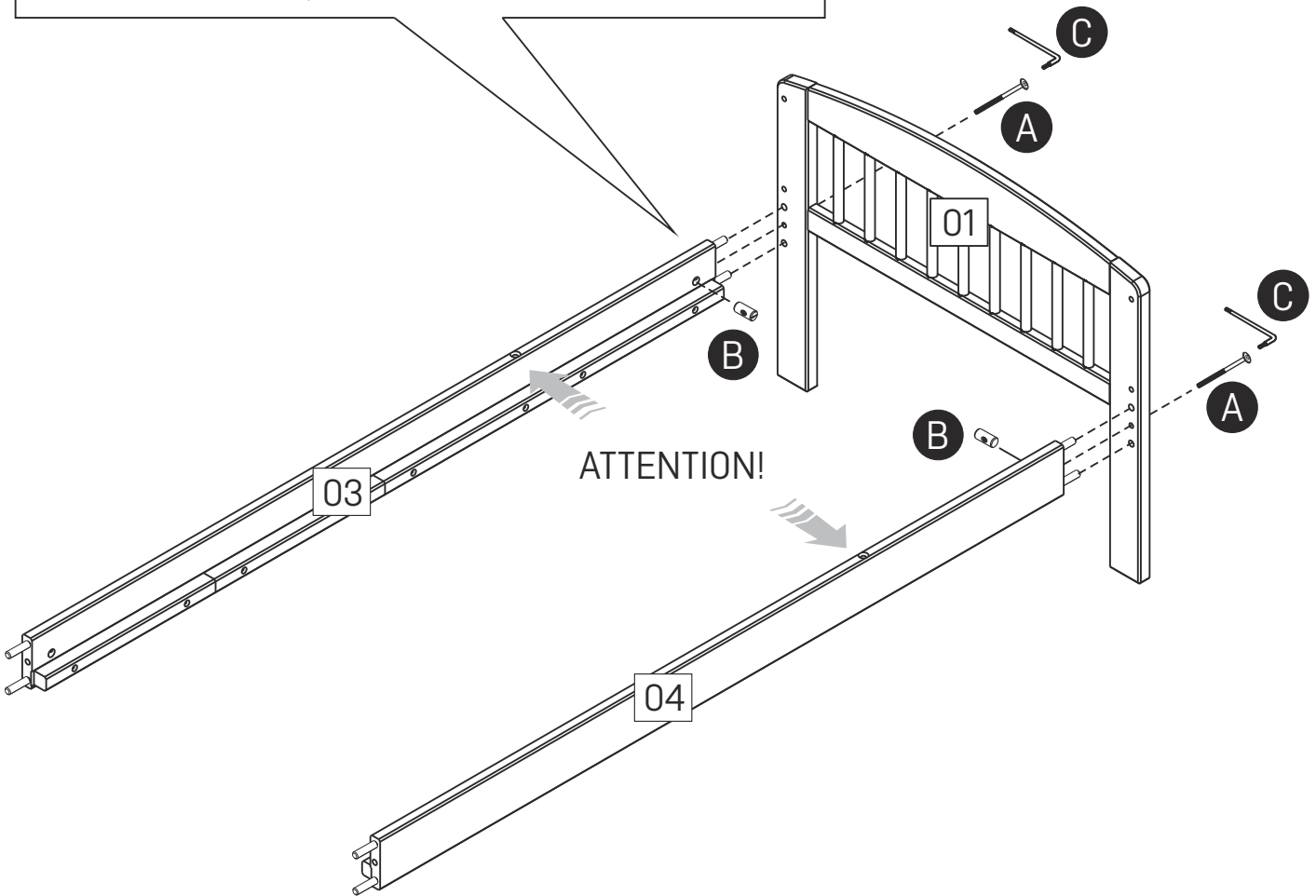
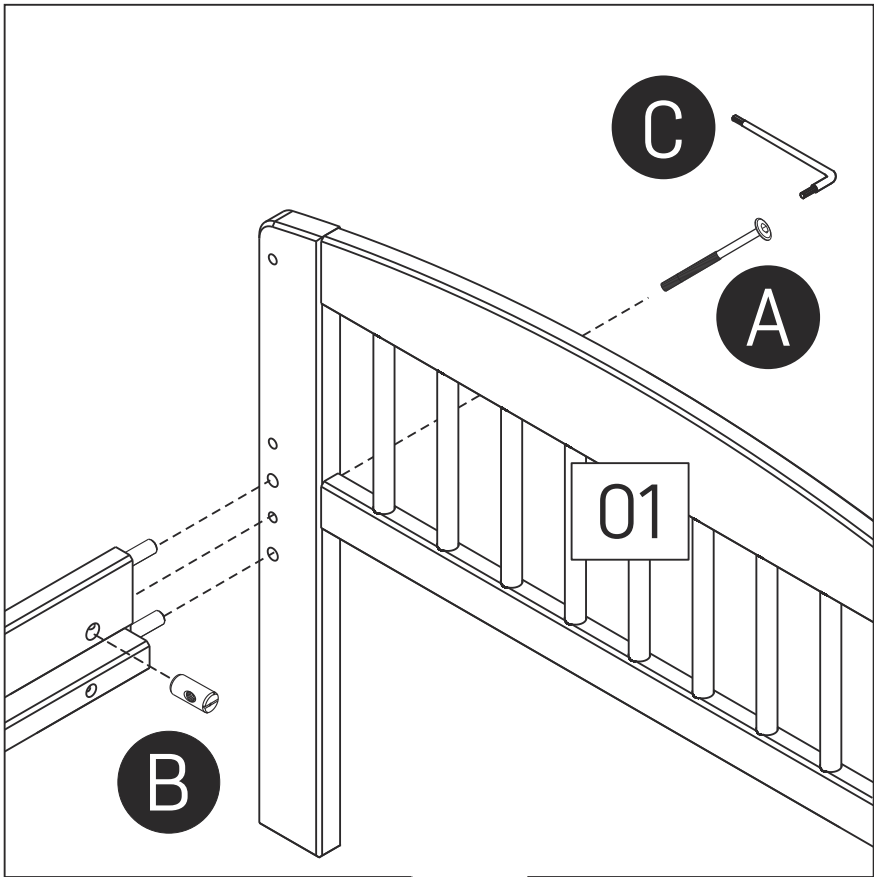


2

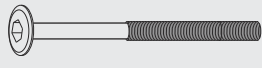
A 
Bolt 1/4 x 70mm x2

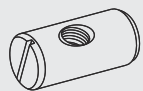
B 
Barel Nut 1/4 x2


C 
Allen Key x1

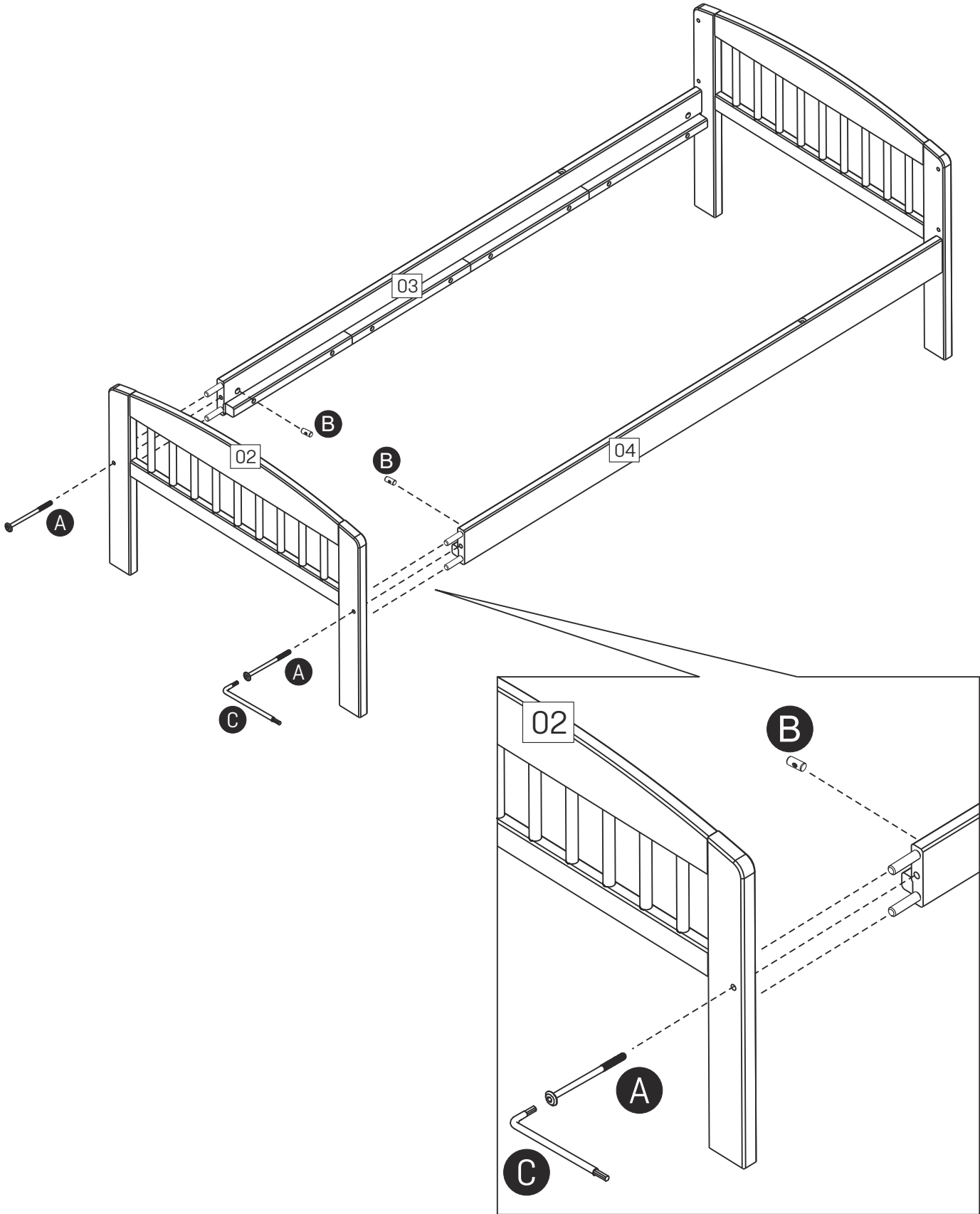


3

A 
Bolt 1/4 x 70mm x2

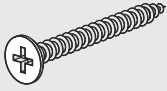
B 
Barel Nut 1/4 x2

C 
Allen Key x1



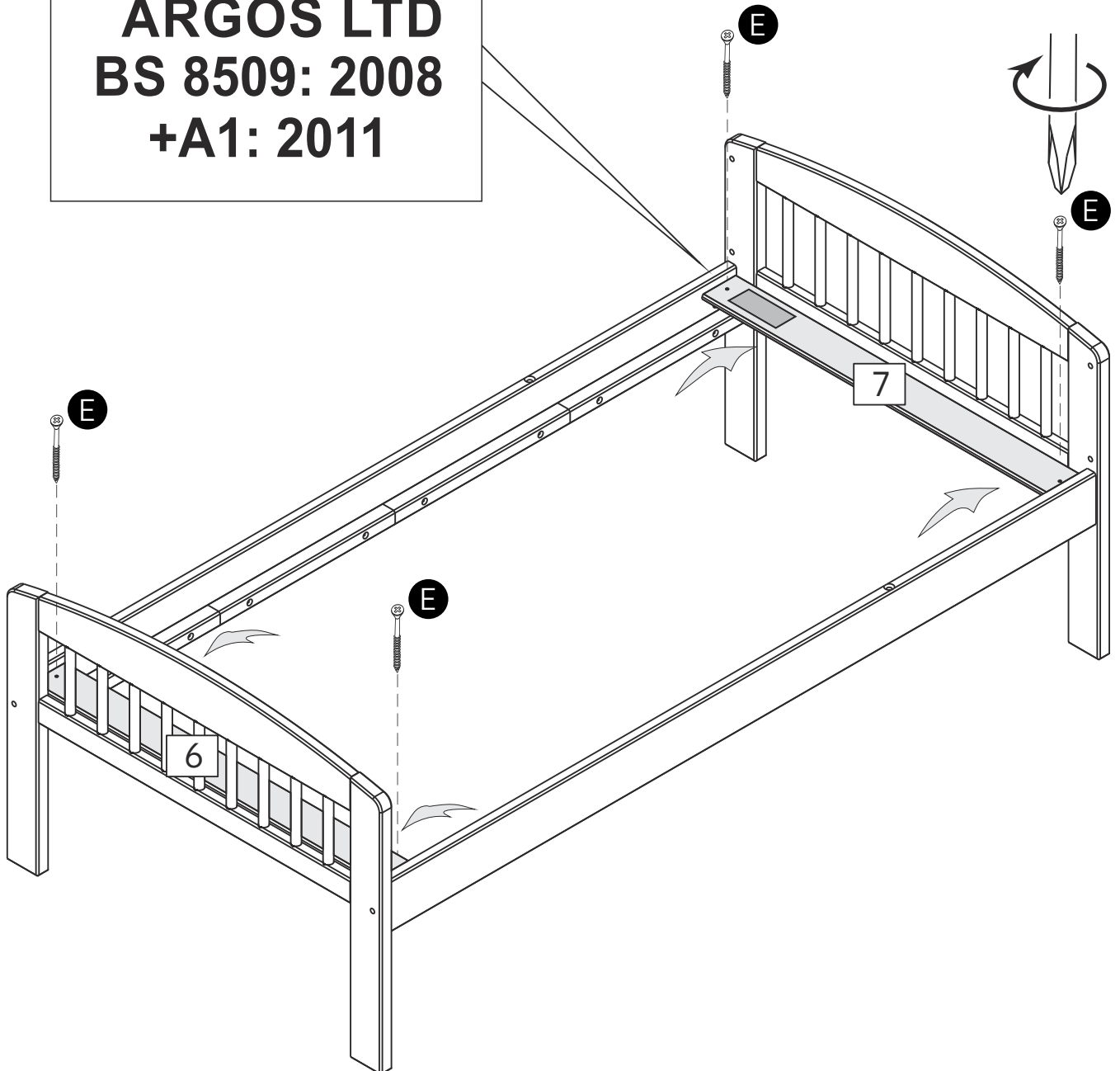
4

E

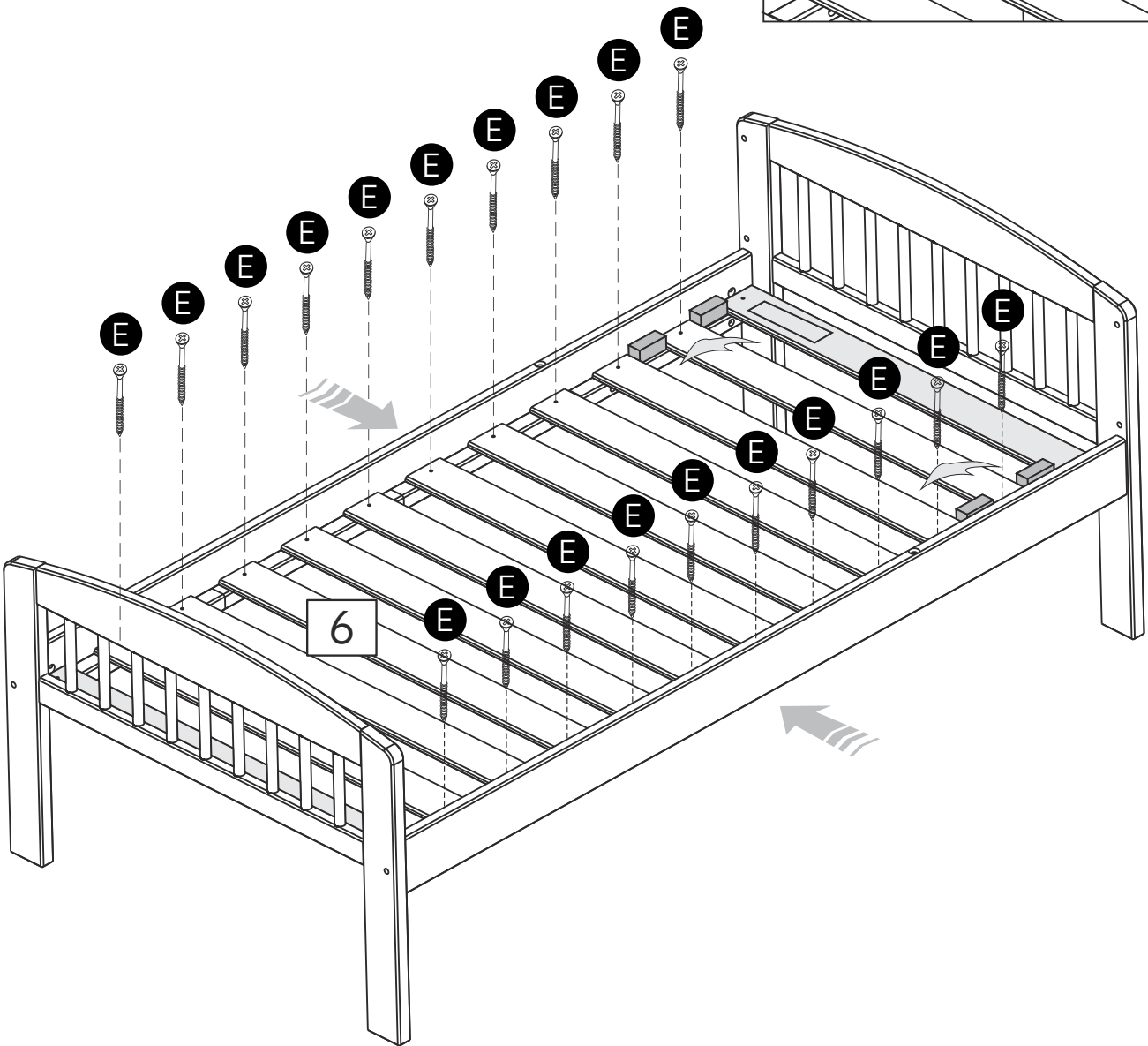
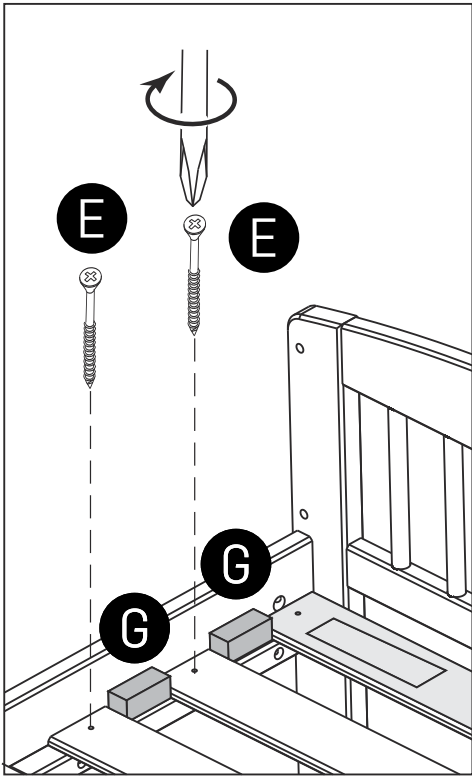
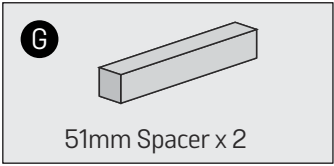
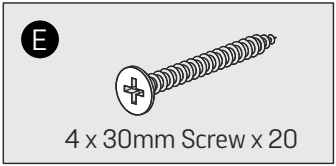


4 x 30mm Screw x 4

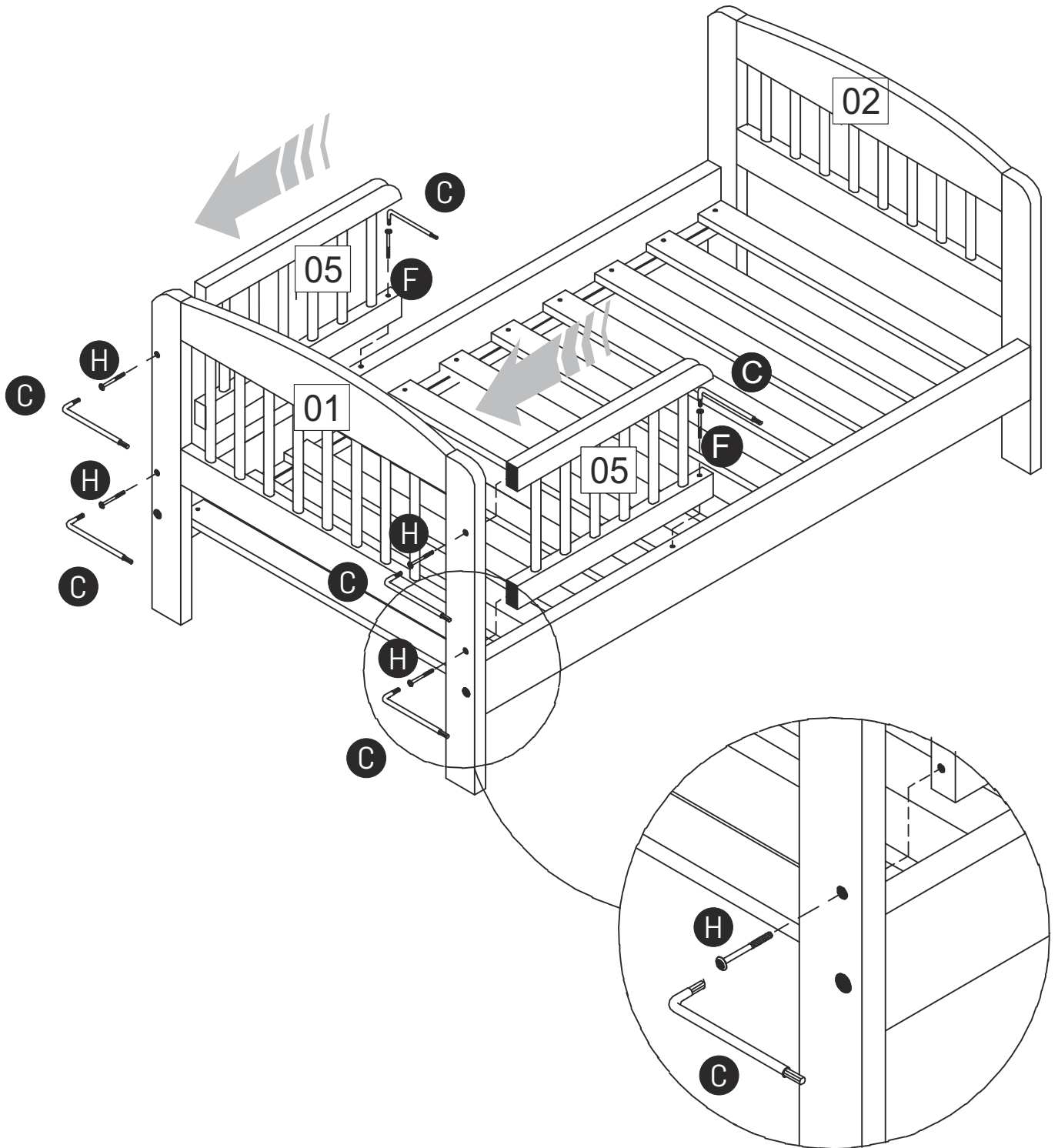
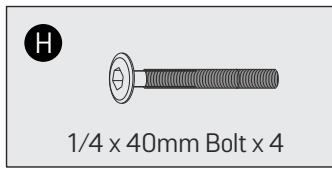
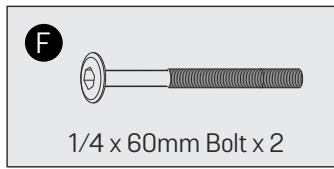
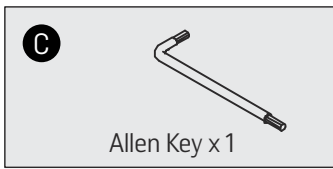
ARGOS LTD
BS 8509: 2008
+A1: 2011



5

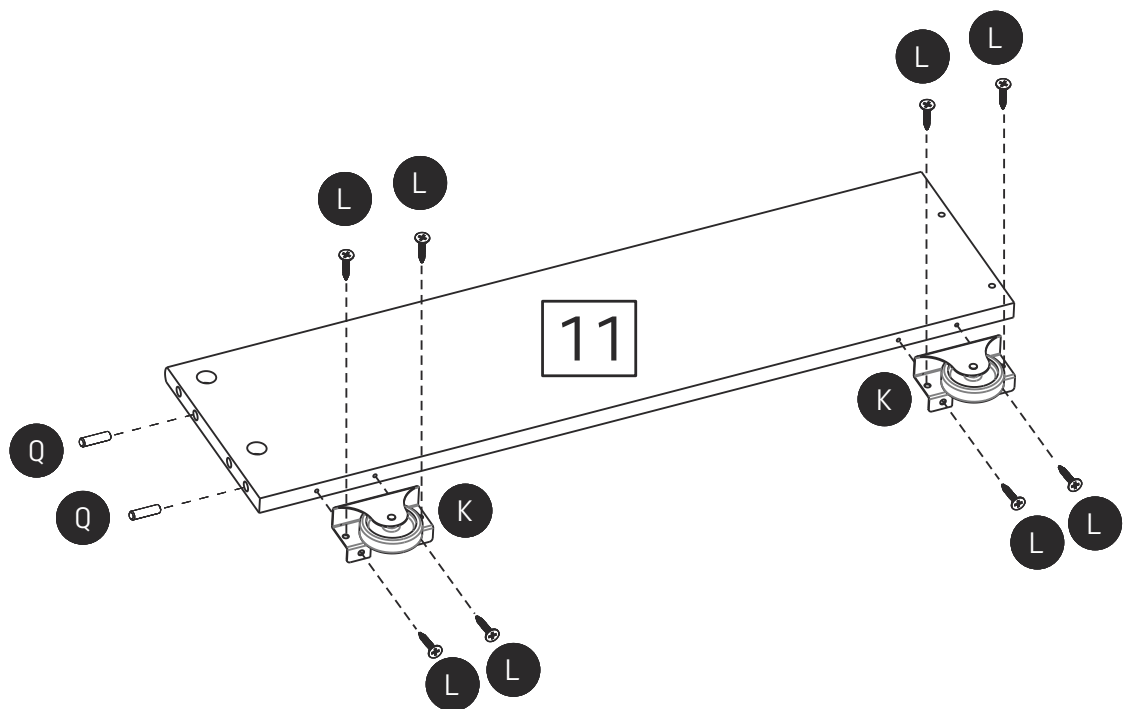
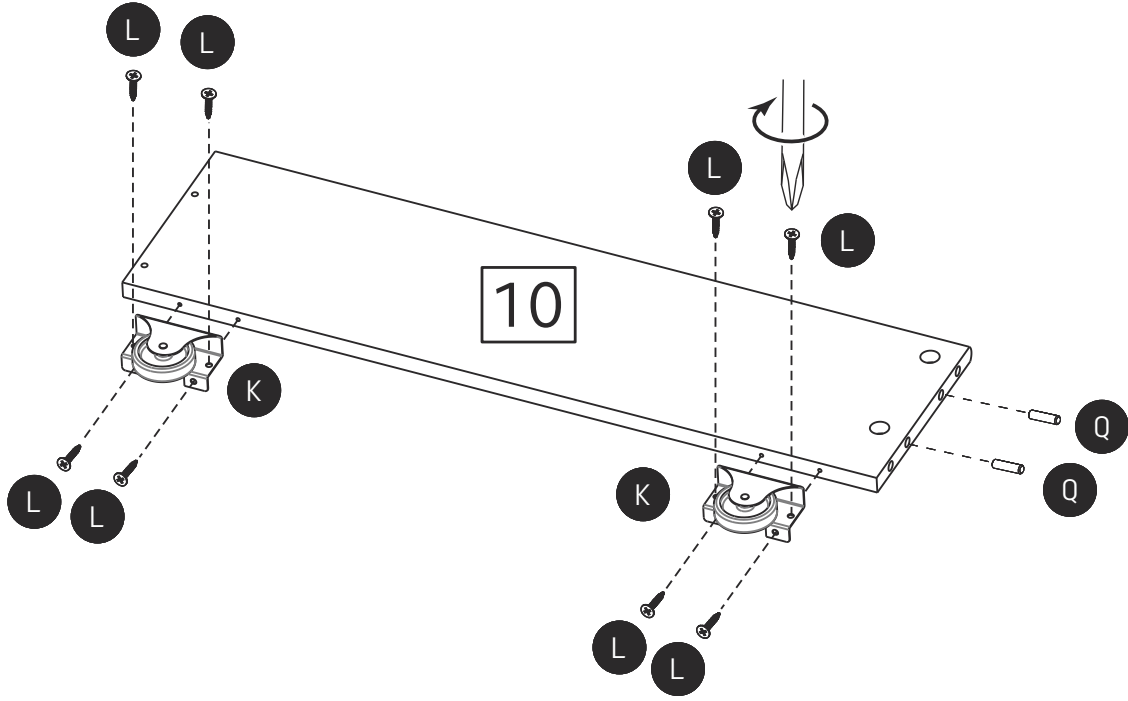
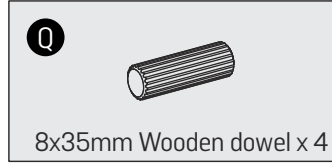
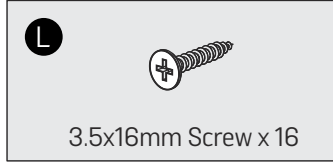
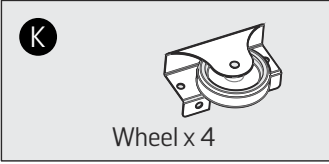


6

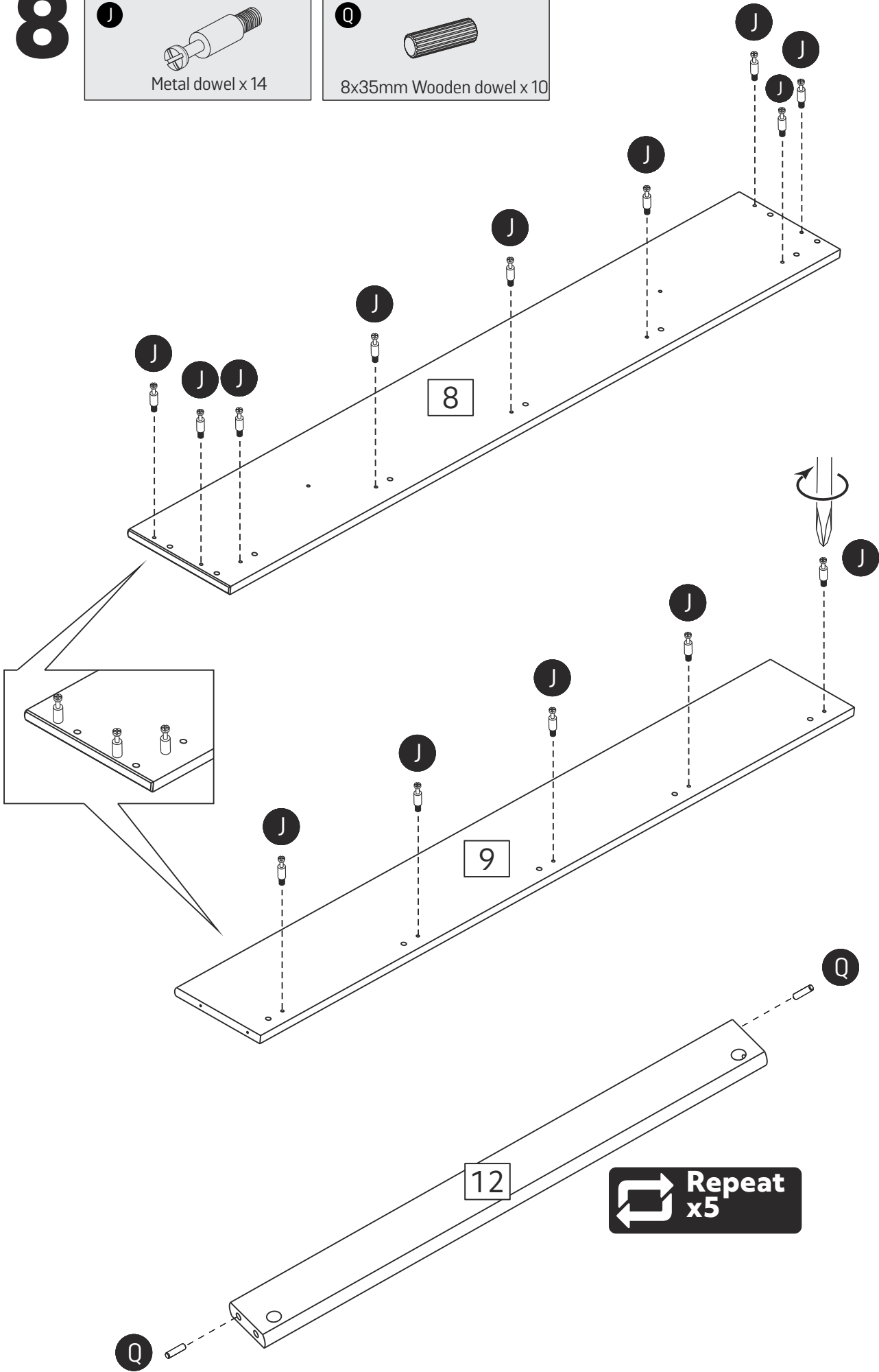
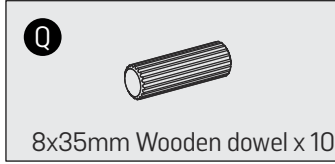
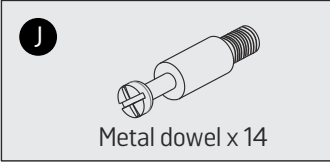


**DO NOT DISMANTLE THE BED
FOR STORAGE OR TRANSPORTATION**

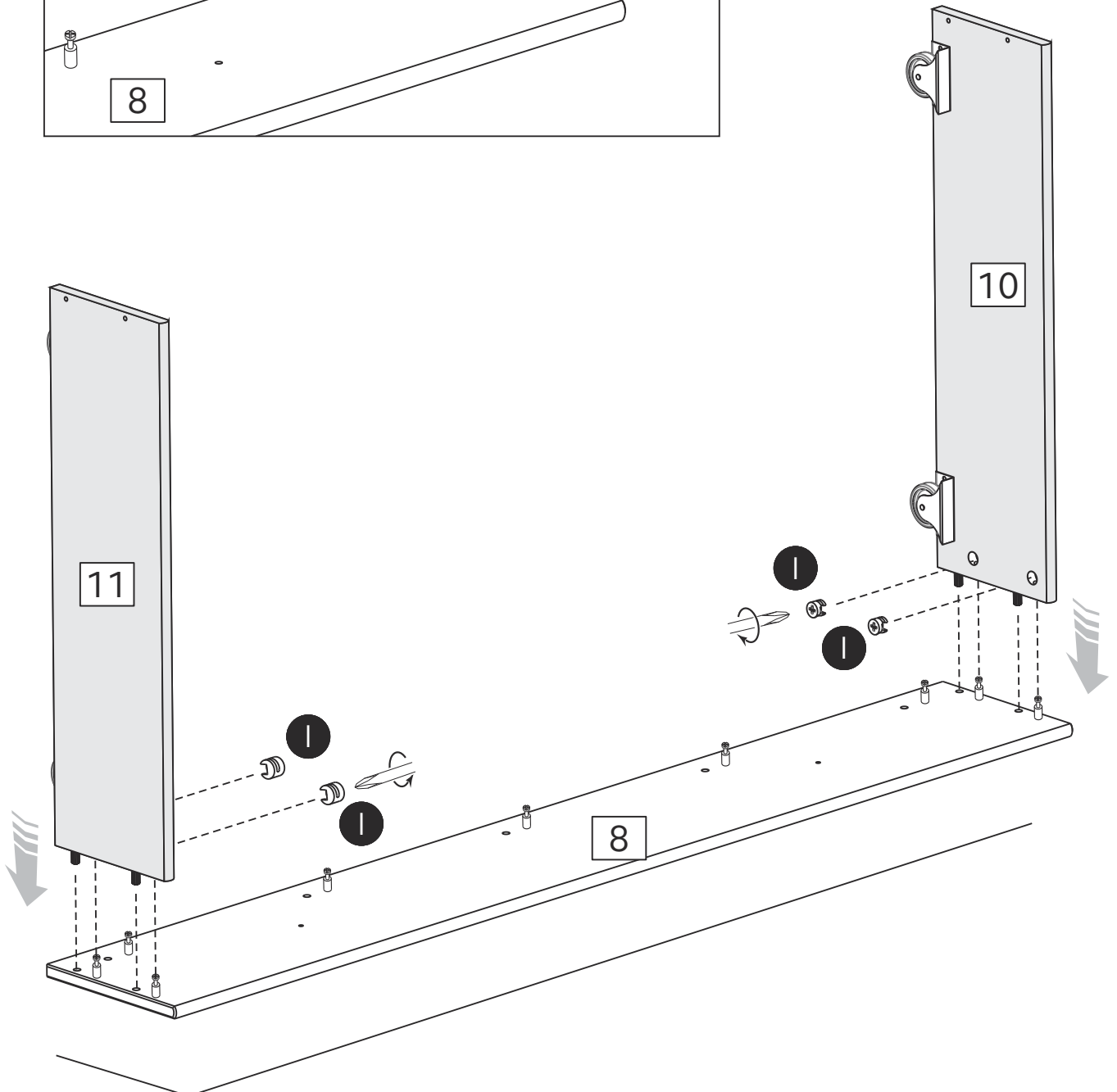
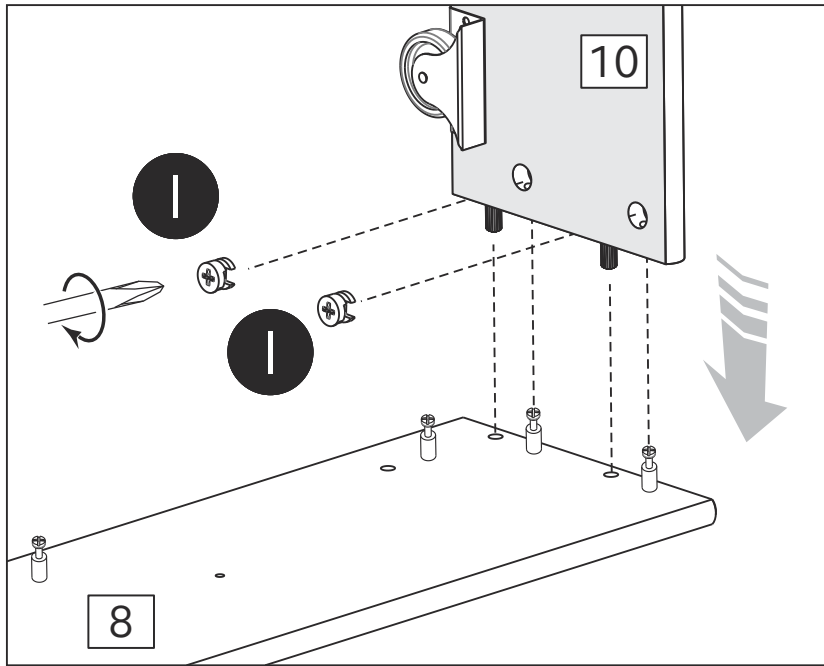
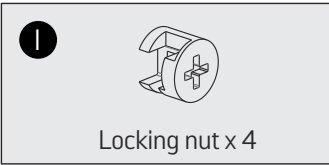
7



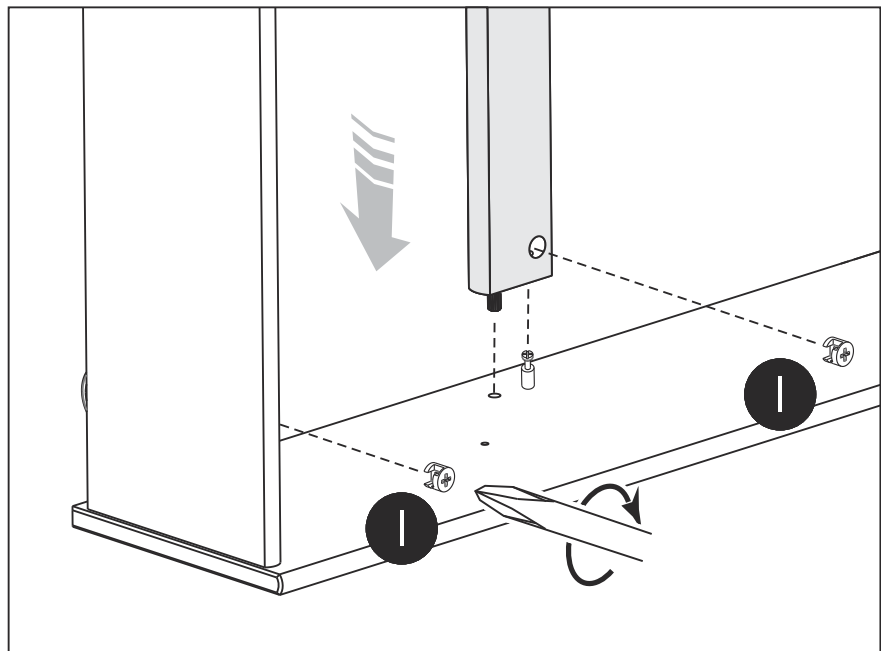
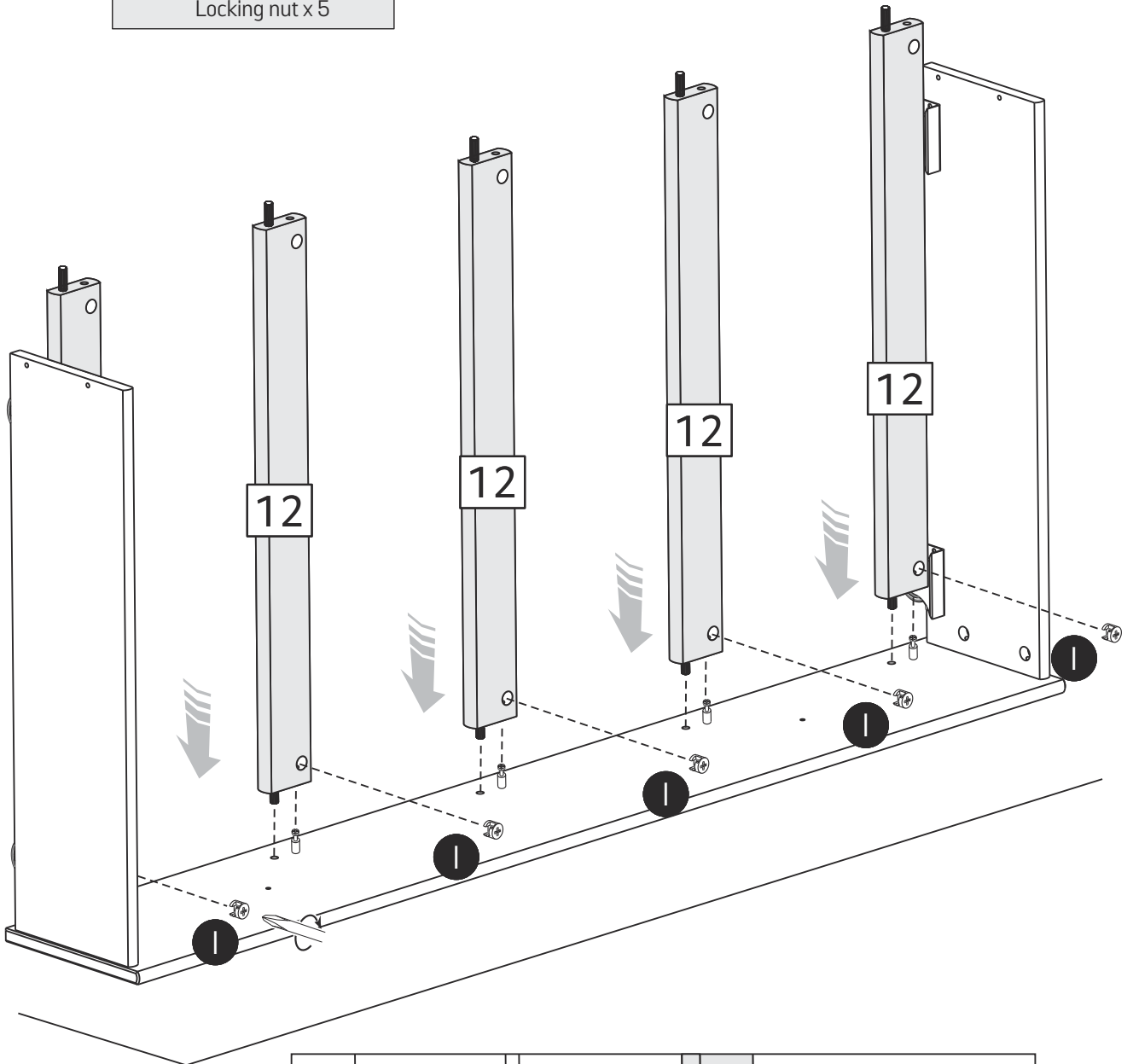
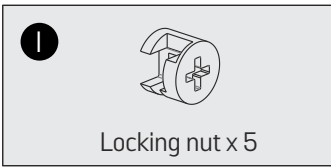
8



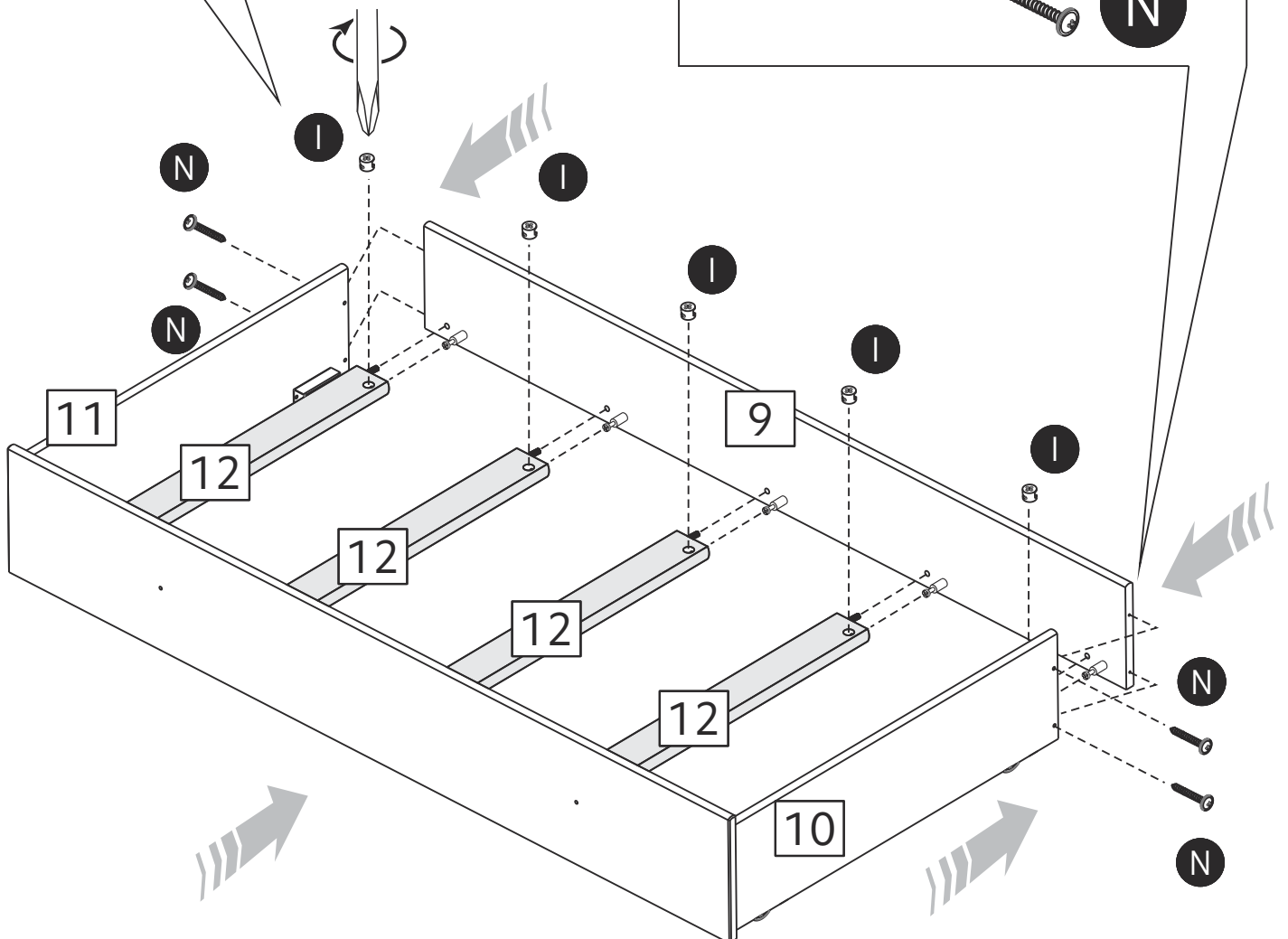
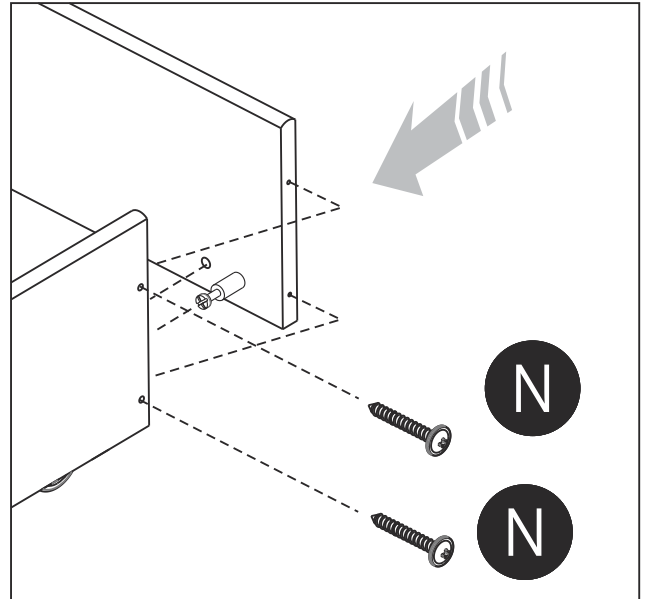
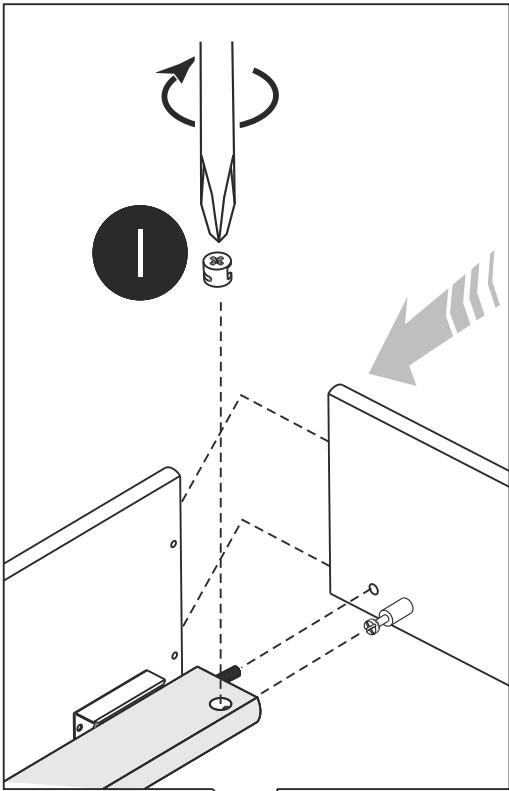
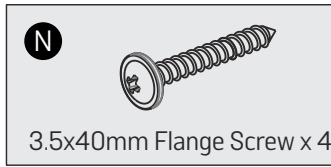
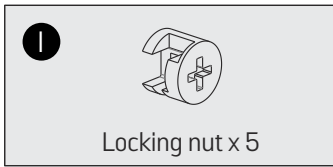
9



10



11



13

