

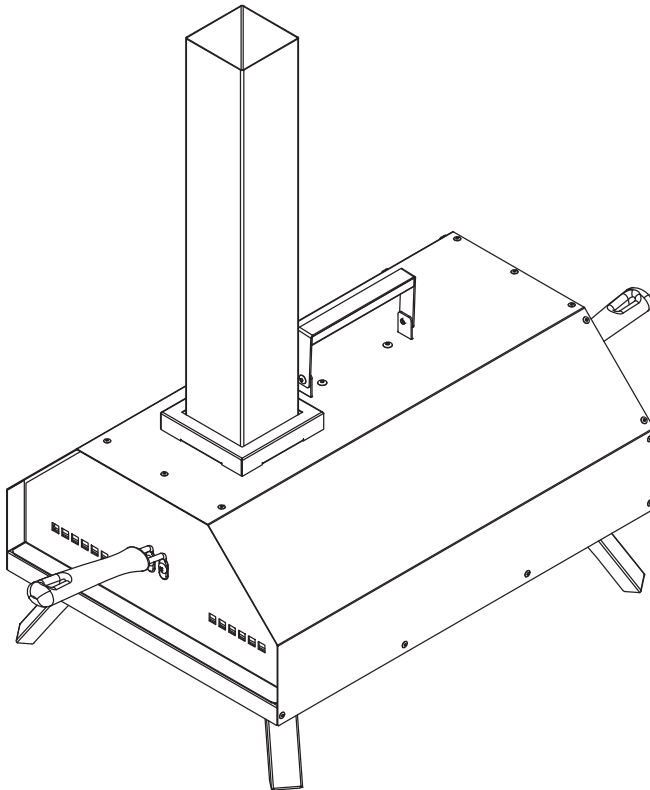
Sainsbury's

Argos

## Table Top Pizza Oven

Assembly Instructions - Please keep for future reference

9632400



**Important! Read the user instructions carefully before use. Save them for future reference.**

If you need help or have damaged or missing parts, call the **Customer Helpline: 03456 400800**.  
Please visit the website [www.argos.co.uk](http://www.argos.co.uk) for more information.

Produced in China. Argos Limited, 489-499 Avebury Boulevard, Milton Keynes, MK9 2NW.  
Argos (N.I.) Ltd, Forestside Shopping Centre, Upper Galwally, Belfast, United Kingdom, BT8 6FX.  
Argos Distributors (Ireland) Limited, Unit 7, Ashbourne Retail Park, Ballybin Road, Ashbourne, County Meath, Ireland

---

# Content

|  |           |
|--|-----------|
| <b>Scope of delivery/product components</b> .....  | <b>3</b>  |
| <b>Overview</b> .....                              | <b>4</b>  |
| <b>General information</b> .....                   | <b>5</b>  |
| Reading and storing the assembly instructions..... | 5         |
| Intended use.....                                  | 5         |
| Explanation of symbols.....                        | 5         |
| <b>Safety</b> .....                                | <b>5</b>  |
| Safety notes.....                                  | 6         |
| Food Safety.....                                   | 8         |
| <b>Assembly instruction</b> .....                  | <b>9</b>  |
| Step 1 - Unfold the legs.....                      | 9         |
| Step 2 - Assembling the firebox.....               | 10        |
| Step 3 - Assembling the door.....                  | 10        |
| Step 4 - Attach the chimney pipe.....              | 11        |
| Step 5 - Final assembly.....                       | 11        |
| <b>Use</b> .....                                   | <b>12</b> |
| Prepare and light the product.....                 | 13        |
| The first time you bake.....                       | 13        |
| Baking pizza.....                                  | 13        |
| <b>Cleaning</b> .....                              | <b>14</b> |
| <b>Storage</b> .....                               | <b>14</b> |

## Scope of delivery/product components

Please check parts against the list below assembling your Table Top Pizza Oven. Take a few moments to familiarise yourself with the contents. Check that all holes are clear of paint before assembly.

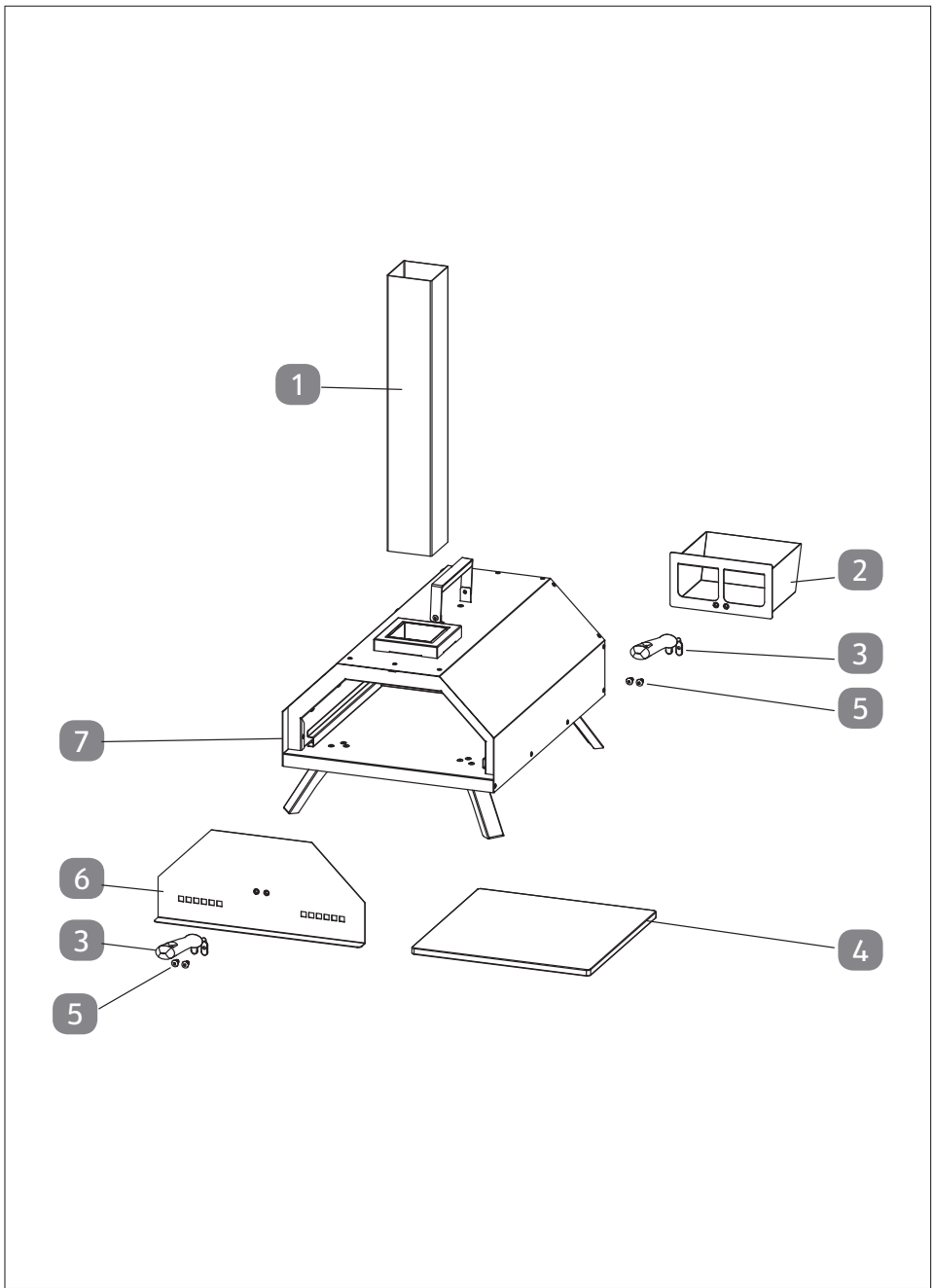
- 1 Chimney pipe (×1)
- 2 Firebox (×1)
- 3 Handle (×2)
- 4 Pizza stone (×1)
- 5 Screw M5x10 (×4)
- 6 Door (×1)
- 7 Oven body (×1)

### Required tools (not included)

- 8 Phillips screwdriver



Please make this page the second page of this IM and ensure the pages are numbered correctly and in the right order.



# General information

## Reading and storing the assembly instructions



These assembly instructions are a part of the Table Top Pizza Oven. They contain important information about assembly and use.

Read the assembly instructions carefully, in particular the safety instructions, before using the product. Failure to follow these assembly instructions may lead to severe injuries and/or product damage.

The assembly instructions are based on the standards and regulations that are valid with the country-specific directives and laws.

Keep the assembly instructions for future reference. If you pass this product on to a third party, you must also supply the assembly instructions.

## Intended use

The product is exclusively intended for outdoor use to bake pizza or heat food.

It is exclusively intended for private use and not for the commercial sector.

Only use the product as described in these assembly instructions. Any other use is considered improper and may lead to product damage or even personal injury. Do not modify the product. The product is not a toy.

The manufacturer or retailer assumes no liability for damage caused by improper or incorrect use.

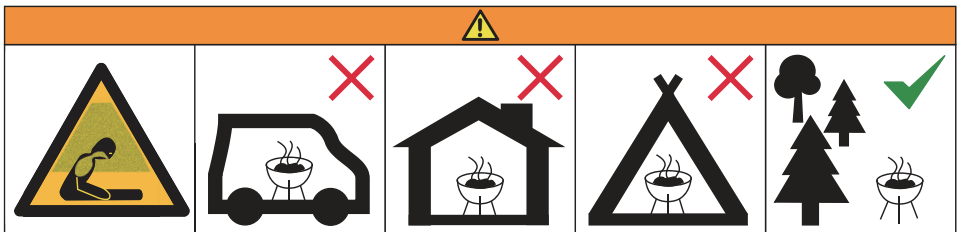
## Explanation of symbols

The following symbols are used in these assembly instructions, on the product or on the packaging.



This symbol provides you with useful additional information on handling and use.

## Safety



**WARNING!** Do not use the Product in a confined and/or habitable space e.g. houses, tents, caravans, motor homes, boats. Danger of carbon monoxide poisoning fatality. The following signal words are used in these assembly instructions.

**⚠ WARNING!**

This signal symbol/word denotes a hazard with an risk level that could lead to death or severe injury if it is not avoided.

**⚠ CAUTION!**

This signal symbol/word denotes a hazard with a low risk level that could lead to mild or moderate injury if it is not avoided.

**NOTE!**

This signal word provides a warning about potential material damage.

### Safety notes

- **WARNING!** This product will become very hot, do not move it during operation.
- Do not use indoors!
- Do not use this product under any overhead combustible structure.
- **WARNING!** Do not use spirit or petrol for lighting or re-lighting! Use only firelighters complying to EN 1860-3!
- Do not use this product within 1.5 m of any combustible material. Combustible materials include, but are not limited to, wood or treated wood decks, patios and porches.
- Always wear heat-resistant gloves when handling the product (with a contact heat resistance level 2 or higher according to DIN EN 407).
- Do not empty the ashes until they are completely burned and extinguished.
- Only use long-handled tools with heat-resistant handles to place and turn the dish.
- Use only dry, natural firewood, twigs and other woody biomass fuels (pellets). Plywood, coal, and liquid fuels will cause damage or fire.
- Allow the product to cool down completely before cleaning it.

## Risks for persons

- This product may be used by persons with reduced physical, sensory or mental abilities or lack of experience or knowledge if they are supervised or instructed in the safe use of the appliance and have understood the risks arising.
- Keep packaging film, styrofoam, or small parts away from children. Danger of suffocation!
- **WARNING!** Keep children and pets away!
- The product will be hot during usage, and should never be left unattended.
- Do not wear clothing with loose flowing sleeves while lighting or using the product.
- Never bend over the hot product during usage.
- The use of alcohol, prescription, or nonprescription drugs may impair the consumer's ability to properly assemble or safely operate the product.
- Never touch metal parts. They may be very hot.
- Touch the product only on the handles.
- The Product may have sharp edges where you could cut yourself. Use working gloves when unpacking, assembling, cleaning and maintaining the product.

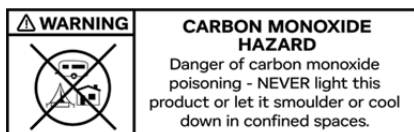
## Before use

- Keep the product on a secure, level surface at all times, clear of combustible material.
- Do not place the product close to entrances or busy areas, such as paths.
- The product must not be transported while it is still hot!
- Do not use the product with liquid fuels.
- Be prepared for a fire or an accident. Always have a fire extinguisher and a first aid kit ready.
- Max. fuel capacity: 50 cm<sup>3</sup> of woody biomass fuel.

## Instructions for lighting

- Fill in wooden biomass fuel up to just below the edge of the firebox and carefully distribute ignition aids according to EN 1860-3 on it.
- Only put the fuel into the firebox and never directly into the housing.
- Light the fuel in an area protected from wind.
- Use a long match or lighter to light the ignition aids.
- Before using the product for the first time, it must be heated up 1-2 times using a filled firebox.

## Carbon Monoxide Hazard



- Thoroughly defrost frozen meat and poultry in the refrigerator before cooking. Keep raw meat and poultry separate from cooked food.
- Ensure that the grill is thoroughly cleaned before cooking and lighting the barbecue.
- Always wash hands after handling raw meat and poultry before handling any ready to eat food.
- Wipe and disinfect surfaces that have been in contact with raw meat and poultry.
- When barbecuing meat and poultry, make sure the barbecue is really hot. Place the larger, thicker portions furthest away from the most intense heat to ensure thorough cooking without burning and turn regularly.
- Use separate utensils for handling raw meat or poultry and cooked food on the barbecue, or wash them thoroughly between use.
- To check whether meat, particularly poultry, is cooked, pierce the flesh with a skewer or fork: the juices should run clear. Ensure the product is piping hot throughout.

**Attention! This BBQ will become very hot do not move it during operation. Do NOT use indoors.**

**Warning! Keep children and pets away!**

**Caution! Do not use spirit or petrol for lighting or re-lighting! Use only firelighters complying to EN 1860-3**



# Assembly instruction

**⚠ CAUTION!**

## Risk of injury!

Some parts of the product might have sharp edges. Touching these parts can cause cuts.

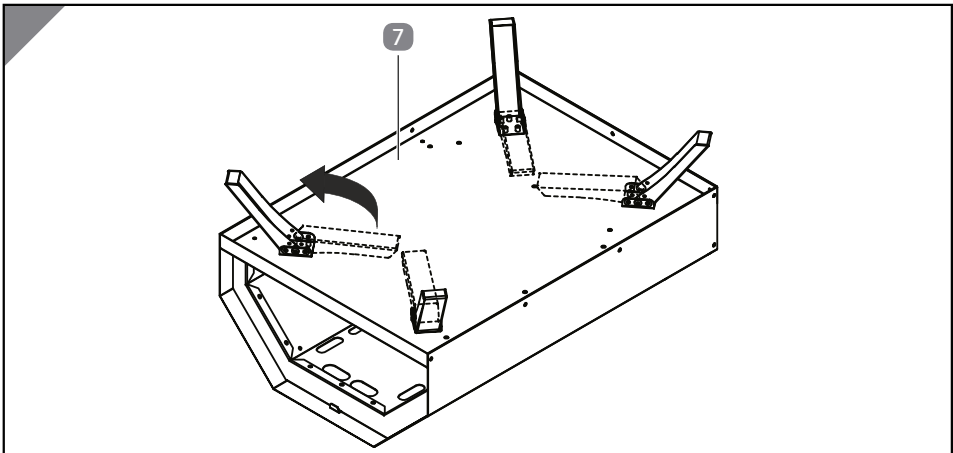
- Wear protective gloves.

Use the following instructions and graphics to assemble the product:

- Complete each assembly step in the given order. Do not skip any step.

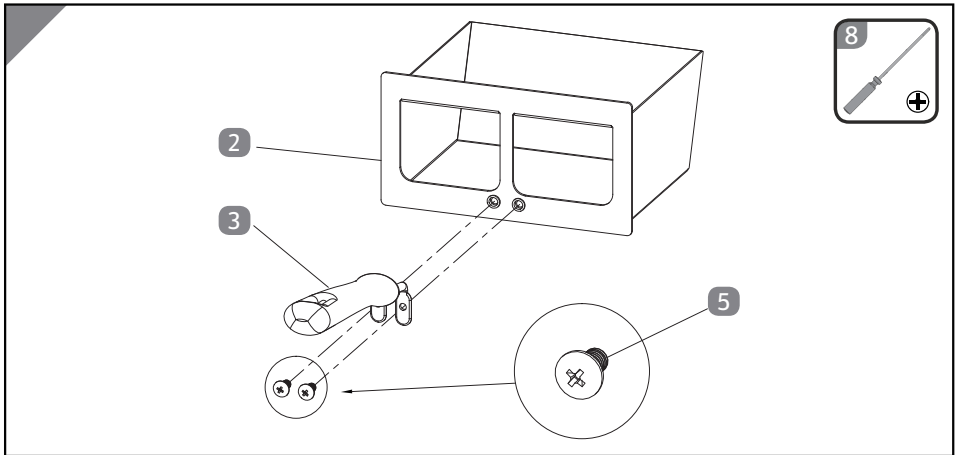
|  |           |
|--|-----------|
| <b>Step 1 - Unfold the legs.....</b>         | <b>8</b>  |
| <b>Step 2 - Assembling the firebox.....</b>  | <b>9</b>  |
| <b>Step 3 - Assembling the door.....</b>     | <b>9</b>  |
| <b>Step 4 - Attach the chimney pipe.....</b> | <b>10</b> |
| <b>Step 5 - Final assembly.....</b>          | <b>10</b> |

## Step 1 - Unfold the legs



1. Turn the oven body **7** upside down.
2. Unfold the legs as shown in the illustration.
3. Turn the oven body over and place it on a level surface.

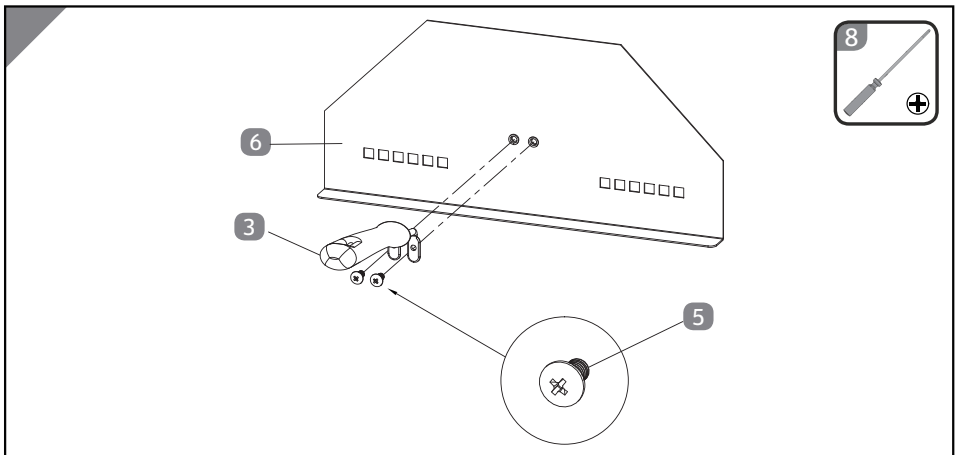
## Step 2 - Assembling the firebox



- Use a Phillips screwdriver **8** and screw a handle **3** with two screws M5x10 **5** clockwise to the firebox **2**.

*The firebox is assembled.*

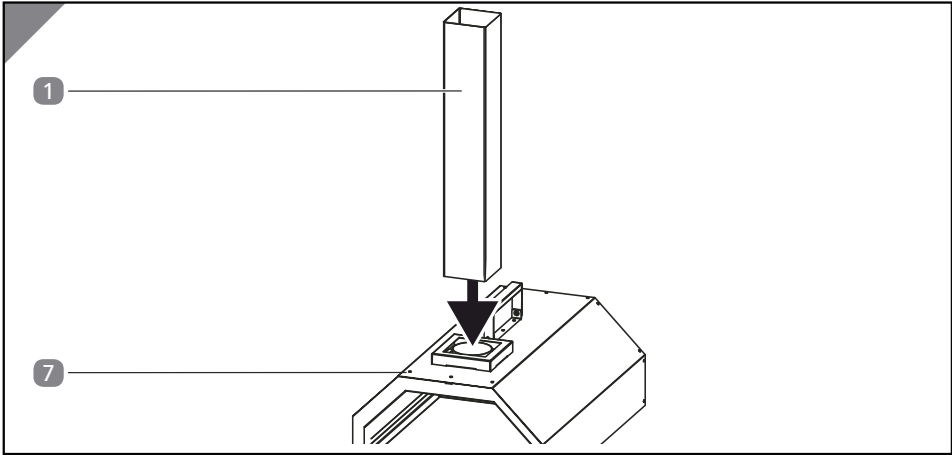
## Step 3 - Assembling the door



- Use a Phillips screwdriver **8** and screw a handle **3** with two screws M5x10 **5** clockwise to the door **6**.

*The door is assembled.*

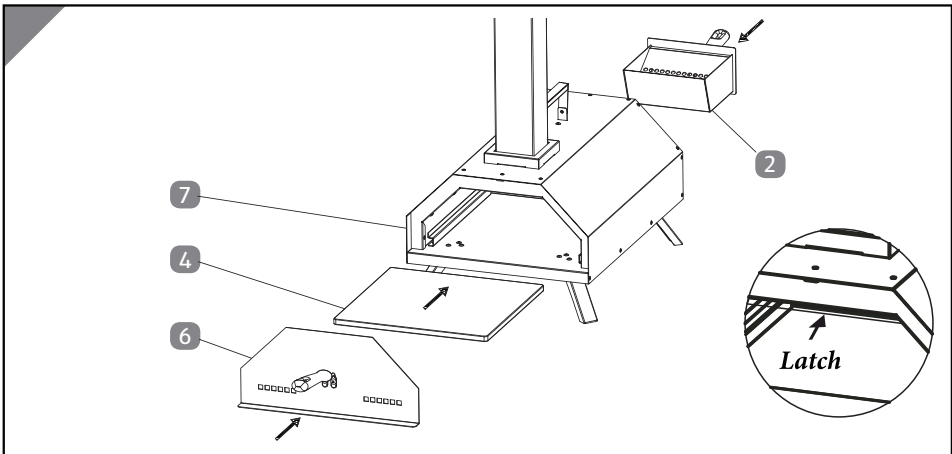
## Step 4 - Attach the chimney pipe



- Insert the chimney pipe **1** into the holder at the top of the oven body **7** as shown.

*The chimney pipe is attached.*

## Step 5 - Final assembly



1. Put the pizza stone **4** in the oven body **7**.
2. Put the door **6** into the opening of the oven.
3. Put the firebox **2** into the back of the oven body.

*The assembly is complete.*

**Please attach the door to the pizza oven latch and do not move the oven while in use.**

## Use

### **WARNING!**

#### **Risk of burns**

This product will become very hot! Touching may cause burn injuries.

- Always wear heat-resistant gloves when handling the product (with a contact heat resistance level 2 or higher according to DIN EN 407).
- Ensure the correct tools are used, with long heat resistant handles.
- Never touch the pizza stone or the product to see if they are hot.
- Let the steam escape first, if you open the door.
- **WARNING!** Keep children and pets away!

### **WARNING!**

#### **Risk of fire**

The product will be hot during usage! Combustible materials nearby may ignite.

- Do not use indoors!
- Do not use under roofed areas.
- Make sure there are no combustible fumes or liquids, such as petrol, alcohol, etc, in the vicinity of the product.
- Do not use this product within 1.5 m of any combustible material. Combustible materials include, but are not limited to, wood or treated wood decks, patios and porches.
- Do not use this product in high winds.
- Have a fire extinguisher ready.

## Prepare and light the product

Observe the safety notes, especially "Before Use" and "Instructions for lighting"

1. During use, the fittings may loosen and impair the stability of the product. Therefore, check the strength of the fittings before each use. If necessary, tighten screws to ensure a firm footing.
2. Keep the product on a secure, level surface at all times, clear of combustible material.

Do not place the product close to entrances or busy areas, such as paths.

3. Insert the pizza stone **4** and close the door **6**.
4. Fill in wooden biomass fuel up to just below the edge of the firebox and carefully distribute ignition aids according to EN 1860-3 on it.

**WARNING!** Do not use spirit or petrol for lighting or re-lighting! Use only firelighters complying to EN 1860-3!

For safety reasons, the product must not be operated with liquid fuel.

Max. fuel capacity: 50 cm<sup>3</sup> of wooden biomass fuel.

5. Only light fuel in wind-protected areas.
6. Use a long match or lighter to light the ignition aids.
7. After 15 to 25 minutes the product is preheated and should have reached the baking temperature.

*The product is prepared for baking.*

## The first time you bake

1. Before first use clean all parts to come into contact with foodstuffs especially the pizza stone according to chapter "Cleaning".
2. Before using the product for the first time, it must be heated up 1-2 times using a filled firebox.

## Baking pizza

The size of the pizza dough is about 11 inches (about 27 cm in diameter).

The baking time depends on dough thickness, topping and the oven temperature.

1. Add some fuel just before putting the pizza in the preheated product.
2. Put the pizza on a pizza peel.
3. Remove the door and carry the pizza peel horizontally into the product. After removing the pizza peel, close the door.
4. The rear side is baked up early, so check the baking process after 10 to 20 seconds. Rotate the pizza at the time immediately before the ground is baked.

Remove the door and take the pizza once, turn back half round, then put the pizza back again and close the door.

5. Make sure the pizza is baked, remove the door and take out the pizza with a pizza peel. For further baking close the door and repeat these steps.

## Cleaning

### **⚠ WARNING!**

#### **Danger of burns!**

The product gets hot during operation. You could burn yourself.

- Allow the product to cool down completely before cleaning it.

Clean the cooled product after each use. Discoloration on the air vents, the door, the firebox and other parts are normal signs of use and are neither hygienically questionable nor a defect.



Do not use flammable or aggressive detergents, steel brushes, abrasives, or other hard objects that could scratch the surfaces.



Do not remove ashes until all fuel is completely burned out and fully extinguished and product is cool.

1. Allow the product to cool completely before cleaning!
2. Open the door **6** and remove the pizza stone **4**.
3. Remove and empty the firebox **2**.

Remove the completely cooled ash regularly. As ash contains salt, it can cause rust when wet!

4. Clean the parts by hand with commercially available dishwashing detergent. In the case of heavy or burned soiling, also use special degreasing kitchen cleaners (observe instructions of the respective manufacturer!).
5. Clean the inside and outside surfaces with warm soapy water and a sponge.
6. Allow all parts to dry completely before reinstalling.

## Storage

1. Allow the product to cool completely and clean it according to chapter "Cleaning".
2. Clean the product and allow it to dry completely before covering.
3. For easy storage fold in the legs and place the chimney next to the oven body.
4. Store the product at a dry place protected from the elements.

If you need help or have damaged or missing parts, call the **Customer Helpline: 03456 400800**.