

vax[®]
ONE
PWR
CORDLESS

VAX Pace

Cordless Vacuum



Safety Guide

This machine is intended for household use only, not for commercial or industrial use.

Please keep instructions for further use and only as instructed in this guide.

The full user guide can be found at: support.vax.co.uk

Don'ts

- Don't leave the charger plugged in when unattended.
- Don't use the machine if it is faulty or has been dropped, damaged or left outdoors.
- Don't use the machine to pick up any flammable or combustible materials (lighter fluid, petrol, kerosene etc.) or use the machine in an area with explosive vapours or liquid.
- Don't use the machine to pick up hot coals, cigarette butts, matches or smoking hot burning items or use in an area where there may be harmful fluids (chlorine, bleach and ammonia drain cleaner).
- Don't handle the charger, battery or use the machine with wet hands.
- Don't unplug the charger by pulling on the power cord.
- The power cord cannot be replaced. If the cord is damaged the charger should be scrapped.
- Don't attempt to remove blockages with sharp objects as this may cause damage to the machine.
- Don't use the machine with the incorrect battery or charger as this may result in damage or injury to the user. The correct battery charger information is listed on the battery pack ratings label.
- Don't charge the battery outdoors, or leave the charger connected to the mains when not in use.
- Don't use the machine with a damaged battery. If the battery is damaged contact us on: **08000 927737**.
- Don't use on a surface that is damaged, uneven or incorrectly fitted.
- The brushbar in the powered floorhead constantly rotates when activated. Never use on one spot for any prolonged period of time as this may damage the floor surface.

Do's

- Check suitability with the manufacturer of your flooring prior to using the machine.
- Only VAX ONEPWR batteries (BV15030, BV25040, BV15020, BV25030) and chargers (BV05100UK, BV05200UK, BV05115UK) should be used with this machine.
- Always place the charger on a stable, level surface, uncovered and away from any heat source.
- Only VAX ONEPWR recommended tools and accessories should be used with this machine.

- Always remove the battery from the machine before carrying out any maintenance or if storing unused for a long period of time.
- Keep all openings clear, free from debris and don't overfill the dirt container as this may affect the airflow/suction.
- Turn off all controls on the machine before disconnecting or connecting the battery.
- Only use the machine indoors on dry surfaces and keep the area you're cleaning well lit.
- This appliance can be used by children from 8 years and above and persons with reduced physical, sensory or mental capabilities or lack of experience and knowledge if they have been given supervision or instruction concerning use of the appliance in a safe way and understand the hazards involved. Children shall not play with the appliance. Cleaning and user maintenance shall not be made by children without supervision.
- Keep fingers, hair and loose clothing away from moving parts and openings whilst using the machine.
- Store the machine in a cool, dry area. Keep the machine away from rain and moisture.
- Use only CE/UKCA approved 13amp extension cords, non-approved extension cords may overheat. Care should be taken to arrange the extension cord as it can be a trip hazard.
- Take extra care when using the machine on the stairs.
- Always test on an inconspicuous area of the flooring first.
- Always make sure the separator and filter are fitted correctly before using your machine and only use the machine with the filter and separator in place.
- Always check the powered floorhead and accessories are free from damage, dirt and debris before using.
- This machine doesn't stay upright without constant support. Between uses, lie flat on the floor in a suitable location so that it doesn't become a trip hazard or can be stepped on.

Battery Safety Precautions

- Replace the battery with a VAX ONEPWR battery only. Use of another battery may present a risk of fire or explosion.
- Do not attempt to disassemble the battery, remove any component projecting from the battery terminals and do not dispose of in a fire. The battery and charger have no user serviceable parts. Fire or injury may result.
- Prior to disposal, protect exposed terminals with heavy insulating tape to prevent shorting. The battery is to be disposed of safely at your local battery recycling centre.
- When the battery pack is not in use, keep it away from other metal objects that can make a connection from one terminal to another. Shorting the battery terminals together may cause burns or a fire.
- In case of battery leakages, avoid any contact with skin and contact us on:

08000 927737.

Welcome to the Vax family!

You are now the proud owner of a VAX Pace.

Here, you'll find everything you need to know about your machine and, most importantly, instructions on how to get started so that you can get cleaning!



- 1 Carry handle
- 2 Filter (hidden)
- 3 Dirt container release button
- 4 Dirt container
- 5 Dirt release button (hidden)
- 6 Handheld crevice tool (hidden)
- 7 Power ON/OFF
- 8 Brushbar ON/OFF
- 9 Boost ON/OFF
- 10 Battery level indicator light
- 11 Reach wand
- 12 Reach wand crevice tool (hidden)
- 13 Powered floorhead
- 14 Brushbar
- 15 Battery dock
- 16 ONEPWR battery
- 17 ONEPWR slide charger
- 18 2-in-1 tool
- 19 Mini motorised pet tool*
- 20 Wall mount, screws and wall plugs



Weight 2.6kg (without battery pack). Dirt bin capacity 0.6L.

Runtime and charge time dependent on battery pack and mode used.

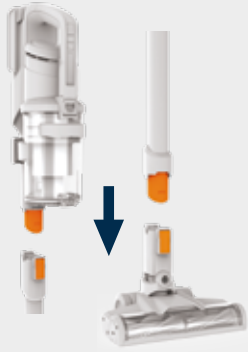
*Mini motorised pet tool included with model CLSV-VPKA only.

Subject to technical change without notice. Images are illustrative only.

Quick Start

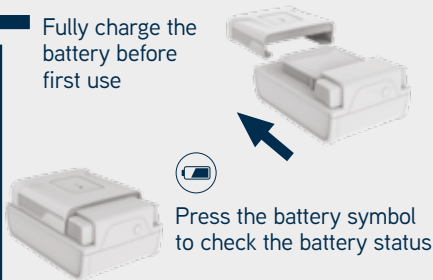
1 Assembly

Attach the handheld to the wand and then attach the floorhead. They will click into place when fitted.



2 Charging the battery

Fully charge the battery before first use



Press the battery symbol to check the battery status

3 Operation

Switch on the machine and select a mode

BRUSHBAR
Switch ON for carpets and OFF for hard floors

BOOST
Increases suction



Registration and support

All ONEPWR products come with a standard one year warranty

Register your product to receive **2 YEARS FREE additional warranty**[†]

For details visit: vax.co.uk/registration

Scan here



For help and support with your new product

or visit us online: support.vax.co.uk

Still need to get in touch?

Our UK based Customer Care Team are here to support you. For help with assembly, operational or performance problems, or buying and fitting new accessories, you can find all our contact details at vax.co.uk/contact

This user guide can be found online at: support.vax.co.uk

[†] Registration required. Terms and conditions apply, see vax.co.uk for details.

Warranty and technical

Warranty

If a Vax machine is used in the way it is intended and it breaks down within the guarantee period, it's our responsibility to repair or replace it.

Here's what isn't covered:

- Normal wear and tear of consumable items, for example: belts, filters, brushbars, fuses etc.
- Batteries which have become faulty as a result of improper handling.
- Batteries which have a reduced service life as a result of normal wear.
- Accidental damage
 - Damage as a result of use not in accordance with the product user guide.
 - Damage caused by not carrying out regular maintenance.
 - Damage to the charger cable.
 - Blockages caused by misuse.
- Faults caused by:
 - Negligent use, misuse, neglect or careless operation of the machine.
 - Use of the machine cleaner which is not in accordance with the user guide.
 - Use of a Vax machine for anything other than normal domestic household purposes in the country in which it was purchased.
 - Use of parts, accessories and consumables, which are not genuine Vax components.
 - Faulty installation or repairs – unless carried out by a qualified electrician or engineer.

Technical

Statement of Compliance: Manufacturer/EU importer: Vax Limited, hereby on our own responsibility, declare that the **VAX Pace** series is manufactured in compliance with the following Legislation:

Safety: 2014/35/EU Low Voltage Directive/Electrical Equipment (Safety) Regulations 2016. EMC: 2014/30/EU Electromagnetic Compatibility Directive/ Electromagnetic Compatibility Regulations 2016.



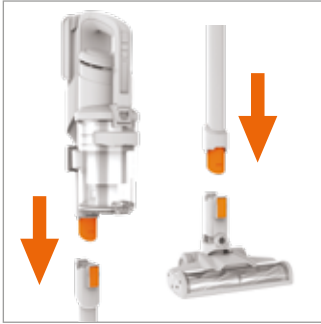
Waste electrical products should not be disposed of with household waste. Please recycle where facilities exist. Check with your Local Authority or retailer for recycling advice.

Vax is a trade mark of Techtronic Cordless GP.

© 2021 Techtronic Cordless GP. All rights reserved.

Vax Ltd, Artillery House, Heritage Way, Droitwich, WR9 8YB, UK.

Assembly



Attach the handheld to the reach wand until it clicks into place. Attach the reach wand to the powered floorhead until it clicks into place.

Attaching the wall mount



Without the handheld attached to the reach wand and powered floorhead, push the wall bracket onto the top and back of the reach wand.



Choose a location for the machine to be stored. Stand the powered floorhead and wand against the wall, ensuring the powered floorhead is flat on the floor.



Holding the wall bracket securely against the wall, make a small mark for each screw. Secure the wall bracket to the wall using the wall plugs and screws.



The 2-in-1 tool can be fitted onto the wall bracket.



Fully assemble the machine and firmly press the machine into the wall bracket to secure. Always ensure the machine is securely locked into place.

Getting started

Charging the battery

THIS MACHINE IS ONLY TO BE USED WITH VAX ONEPWR BATTERIES AND CHARGER. PLEASE READ THE SAFETY GUIDE BEFORE USE.

NOTE: Before first use, ensure the battery is fully charged. Failure to fully charge the battery before first use may result in poor battery performance. The life expectancy of the battery will vary depending on the usage of the machine.



Plug the charger into the mains.



Slide the battery on to the charger.



The battery lights will flash white to indicate the battery is charging. The battery lights will illuminate in turn until all four lights are illuminated and the battery is charged. When fully charged the lights will go out.



To check the battery charge level press the battery symbol.




When fully charged, press and hold the side buttons and slide the charger off the battery to remove.



Charging light indicators

ERROR 
Charge/battery fault.

CHARGING DELAY 
Battery pack is too hot or too cold.

Operation

WARNING: The brushbar in the powered floorhead constantly rotates when activated. Never use the powered floorhead on one spot for an extended period of time as the brushbar may damage the surface. Always turn the brushbar off when cleaning hard floors. To prevent any damage being sustained, test on an inconspicuous area of the flooring/surface first.



Slide the battery into the machine until it clicks into place.



Place your foot on the powered floorhead. Pull the handle backwards to recline.



To remove the battery press both the buttons to release.



Press the on/off button to switch the machine on.



Press the brushbar on/off button to switch the brushbar in the powered floorhead on.



Press the boost button to increase the suction for particularly dirty areas.

NOTE: The powered floorhead brushbar should be ON for carpets and OFF for hard floors. Constant use of the boost mode and brushbar will reduce the battery runtime.

Getting started

Operation



During use, press the battery symbol on the battery. The lights will illuminate indicating how much charge is remaining.



When less than 20% charge is remaining the low battery indicator will flash red indicating the battery is running low and charging is required.

CAUTION: If the brushbar in the powered floorhead has been obstructed, the brushbar motor protection sensor may activate, the brushbar will stop and the machine may switch off. To reset remove the powered floorhead from the reach wand/handheld and clear any obstruction. Wait 1 minute before refitting the powered floorhead tool, switch the machine on and press the brushbar ON/OFF button.

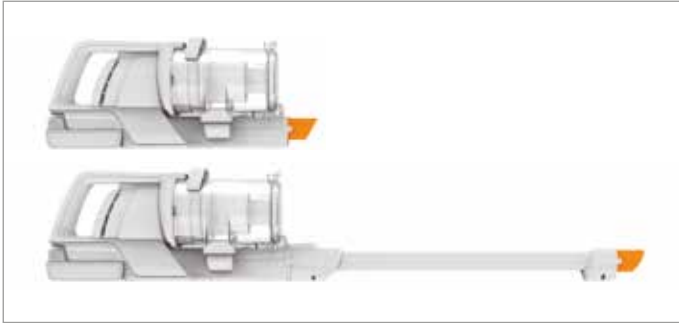
Using the tools



All of the accessories, including the powered floorhead can be attached directly onto the handheld or the reach wand.

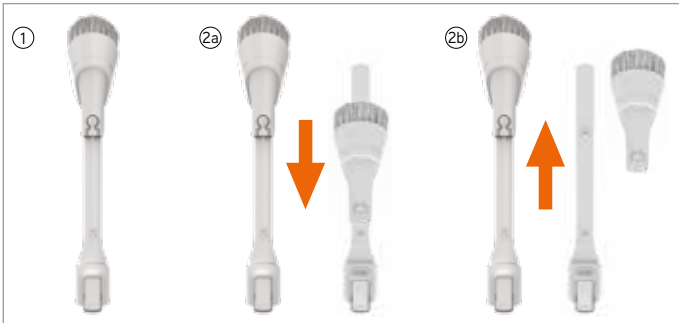
Press the button on the tools or powered floorhead to remove.

Using the tools



Handheld and reach wand crevice tool

For hard to reach areas and can be used at different heights for above floor cleaning.



2-in-1 dusting brush and crevice tool

1. Soft bristled dusting brush for delicate surfaces and skirting boards.

2a. For edge cleaning press the button and push the dusting brush down.

2b. For tight and hard to reach areas press the button and pull the dusting brush up to remove it.



Mini motorised pet tool*

While in use, the mini motorised base plate can be rotated so it can be used flat or horizontally for all angle cleaning.

*Mini motorised pet tool included with model CLSV-VPKA only.

Cleaning and maintenance

Removing and refitting the dirt container

WARNING: Always remove the battery before carrying out any maintenance or troubleshooting.



Press the dirt container release button and pull the dirt container handle to remove.



To refit the dirt bin, slot the tab on the machine into the indent on the base of the dirt container and push back until it clicks onto place.

Emptying the dirt container

CAUTION: Don't over fill the dirt container to avoid blocking the air flow through the machine. For best cleaning results, empty the dirt container after every use.



Press the dirt container release button and pull the dirt container handle to remove.



Hold the dirt container over a bin and press the dirt release button to allow dirt and debris to fall out.



To close, push the dirt release door until it clicks into place.

Cleaning the filter and separator

IMPORTANT: Filters should be tapped over a bin every 4-6 uses to remove dirt and debris and washed every 3 months. Filters should be replaced every 6-9 months depending on the level of use.



Push the tab on the lid of the dirt container and lift the cover to access the filter.



Lift the filter and separator from the dirt container.



Tap the separator over a bin to remove dirt and debris and wipe over the metal shroud with a dry cloth.



Pull the tab on the filter to remove from the separator.



Tap the filter against the bin to remove any dirt and debris.



Wash the filter under running water (40°C max). Leave for at least 24hrs or until fully dry before replacing.



Refit the separator making sure that the tab on the separator fits into the groove on the dirt container.

Cleaning and maintenance

Removing and cleaning the brushbar

NOTE: If the brushbar has been obstructed, the brushbar motor protection sensor may activate. The brushbar will stop and the machine may switch off. To reset remove the tool from the reach wand/handheld and clear any obstruction. Wait 1 min before refitting. Once refitted switch the machine on and select a floor selector button to reactivate the brushbar.



Press the powered floorhead release button to remove the powered floorhead from the wand.



Using a coin, push and turn the brushbar lock anticlockwise to release the brushbar.



Pull the brushbar out from the brushbar housing.



To remove any threads or hair, slide the blade of a pair of scissors into the groove on the brushbar and cut along the groove.



Clear any dirt/debris from the end caps and inside the housing of the powered floorhead.



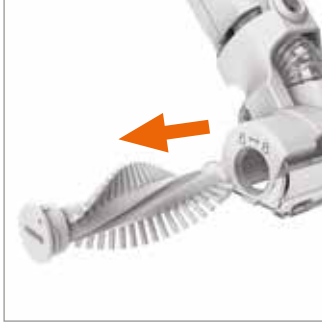
Refit the brushbar into the powered floorhead. Align the arrow on the brushbar cover so it points north, firmly push and twist clockwise to lock.

Removing and cleaning the mini motorised pet tool brushbar

CAUTION: If the brushbar in the mini motorised pet tool has been obstructed, the brushbar motor protection sensor may activate. The brushbar will stop and the machine may switch off. To reset remove the tool from the reach wand/handheld and clear any obstruction. Wait 1 minute before refitting the tool, switch the machine on and press the brushbar ON/OFF button.



Using a coin, turn the brushbar lock anticlockwise to release the brushbar.



Pull the brushbar out from the brushbar housing.



To remove any threads or hair slide the blade of a pair of scissors into the groove on the brushbar and cut along the groove. Clear any dirt/debris inside the housing of the floorhead.



Check the inlet for any blockages and use a blunt object to remove the blockage.



Refit the brushbar and turn the brushbar lock clockwise to lock.



Cleaning and maintenance

Checking for blockages



Remove the dirt container and reach wand. Check and clear any dirt and debris from the dirt container and handheld inlet.



Press the dirt container release button and remove the dirt container. Check and clear any dirt and debris from behind the dirt container flap.



Check the powered floorhead for any blockages and use a blunt object to remove the blockage.



To test for a blockage in the reach wand, drop a small ball of paper into the wand. The paper will drop through if the wand is clear. Use a broom handle or similar blunt object to remove any blockage.

WARNING: Always switch off and unplug the machine before performing any checks or maintenance.

There is an accessory missing

- Check the contents on the box to make sure the part is definitely included with your machine.

Why does the machine have no power?

- The battery is not fitted correctly. **See Operation page 7.**
- The battery has no charge. **See Charging the battery page 6.**
- The motor thermostat may have tripped. Empty the dirt container and check for blockages. Clean the filters and allow the machine to cool for approximately 1 hour. If you have washed the filters, wait 24 hours to fully dry before placing back on the machine. **See Cleaning the filter and separator page 11.**
- The brushbar motor sensor in the powered floorhead or mini motorised pet tool has been activated. To reset remove the powered floorhead/tool from the reach wand/handheld and clear any obstruction. Wait 1 minute before refitting the powered floorhead, switch the machine on and press the brushbar ON/OFF button to reactivate the brushbar. **See Operation page 8.**

Why won't the machine pick up?

- The dirt container may not be fitted correctly. **See Removing and refitting the dirt container page 10.**
- The dirt container may be full or blocked. Check the dirt container and handheld inlet for blockages.
See Emptying the dirt container page 10 and Checking for blockages page 14.
- The filters may be clogged or need replacing. **See Cleaning the filter and separator page 11.**
- There may be a blockage. **See Checking for blockages page 14.**
- The brushbar on the powered floorhead has not been activated. **See Operation page 7.**
- The powered floorhead may be blocked. **See Removing and cleaning the brushbar page 12.**
- The machine, powered floorhead and reach wand may not be correctly fitted. **See Assembly page 5.**

Why is there a red light?

- Battery charge is running low (<20%). **See Charging the battery page 6.**

Why won't the brushbar in the powered floorhead or pet tool turn?

- The brushbar in the powered floorhead or mini motorised pet tool has not been activated. **See Operation page 7.**
- The tool/brushbar may be obstructed. **See Removing and cleaning the brushbar page 12 and Removing and cleaning the mini motorised pet tool brushbar page 13.**
- The machine, powered floorhead, reach wand and mini motorised pet tool may not be correctly fitted. **See Assembly page 5.**

For how-to videos and
warranty registration visit
www.vax.co.uk

info@vax.co.uk **vax.co.uk**

Vax Ltd, Artillery House, Heritage Way, Droitwich, WR9 8YB, UK.