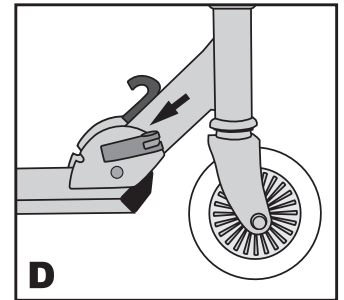
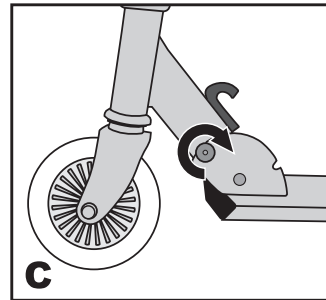
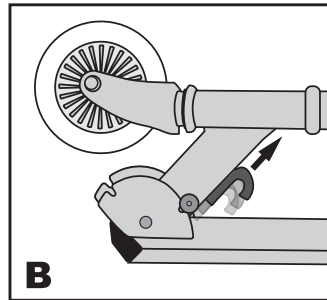
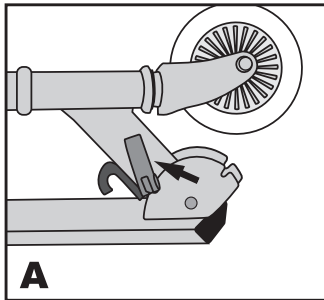


TWO WHEELED FOLDING SCOOTER FLASH

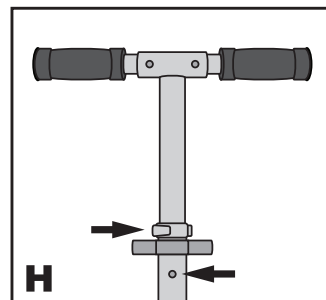
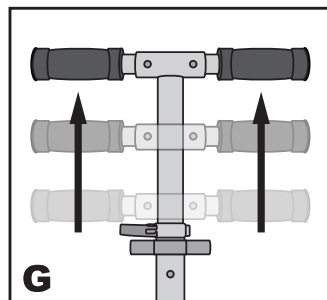
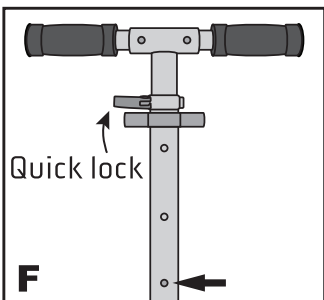
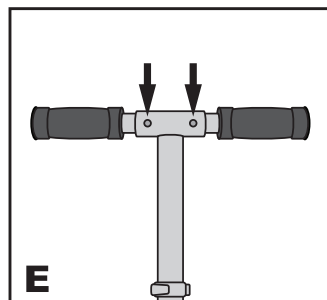
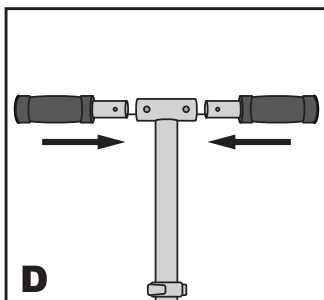


ASSEMBLY



To unfold the scooter

1. Open clamp (see **A**).
 2. Pull the plastic lever upwards to unlock the system (see **B**).
 3. When the scooter is completely open, release the plastic lever to lock the system, then turn the screw clockwise (see **C**) until it is tight enough to close the buckle (see **D**).
 4. When folding the scooter, ensure that the front wheel is at 180° angle to the scooter. If this is not done it will not close properly. Keep fingers away from all moveable parts on the scooter as fingers could get trapped.
- NOTE: Alignment Screws. The Screw on the clamp that adjusts the height of the handlebars must not be taken out. This screw is to align the handlebars on the front wheel. **If you lose this screw, do not use scooter until the screw has been replaced.**



Handlebars

5. To fit grips, insert handlebars into the T-bar (see **D**) and make sure that the spring button pops out to secure in position on the T-bar (see **E**).
6. To adjust the stem, release the quick lock and press the spring button (see **F**), then adjust the handlebar to the height (see **G**). The button must then pop into the fixation hole. Tighten the quick lock to secure the handlebar (see **H**).
7. After use, simply loosen the quick lock, press the spring button and push down the handlebar. Tighten the quick lock to secure the handlebar.

TO USE

- 1 Grip the handlebars with your hands, place one foot on the deck and the other foot on the ground.
- 2 Pay attention to your surroundings and make sure that your riding area is clear.
- 3 Kick backwards with your foot beside the scooter to give you motion.
- 4 Repeat this kicking action in order to stay in motion.
- 5 To stop or slow down, place your kicking foot on the brake pedal above the rear wheel or put your kicking foot on the ground.
- 6 Do not over-steer as this could cause you to fall off from the scooter.

MAINTENANCE

- 1 To clean, please wipe the product with mild detergent.
- 2 Do not leave this product in high temperature, intense sunlight or dusty areas.
- 3 Store in a dry place.
- 4 Always ensure all screws and nuts are securely tightened before every use. The self-lock fixtures may lose their effectiveness.
- 5 No modification other than to the manufacturer's instructions should be made.

IMPORTANT SAFETY INFORMATION

- 1 Always wear safety equipment such as helmet, knee pads and elbow pads. Always wear a helmet when riding your scooter and keep the chinstrap securely buckled. Always wear shoes. The maximum weight that this product can hold is 50kg. Ride on smooth, paved surfaces away from motor vehicles.
- 2 The product is recommended for users of 3+ years old.
- 3 After checking that all parts are in good condition, remember to check that all the screws and wheels are tightly in place before using the scooter (hex keys are supplied to tighten these if necessary).
- 4 Avoid sharp bumps, drainage grates, and sudden surface changes. Scooter may suddenly stop. Avoid streets and surfaces with water, sand, gravel, dirt, leaves, and other debris. Wet weather impairs traction, braking, and visibility.
- 5 Do not ride at night.
- 6 Brake will get hot from continuous use. Do not touch after braking.
- 7 Avoid excessive speed associated with downhill rides.
- 8 Adults must assist children in the initial adjustment procedures to unfold scooter, adjust handlebar and steering to height, and finally to fold scooter.
- 9 Obey all local traffic and scooter riding laws and regulations. Watch out for pedestrians.
- 10 Replace worn or broken parts immediately.
- 11 Do not use this product for jumping stunts or tricks. The scooter is not designed for such use.
- 12 Never ride the scooter without tightening the folding mechanism.
- 13 Check all clamping devices for tightness and foot brake prior to riding.

WARNING

The handgrips contain a metal tube, a foam grip and a plastic end piece and are attached by an elasticated string. Be careful not to drop the scooter when not in use. If the scooter is dropped after use, over a period of time you will damage the plastic end piece, the foam and the tube. If you damage this part of the scooter, it is strongly advised that you replace the damaged parts as soon as possible to avoid any accident caused by making contact with these parts.

It is strongly recommended that you wear protective equipment whilst using this product and the scooter should not be used on any other surface other than on flat even ground. It is not designed for gravel roads, on grass surfaces or any other uneven surfaces as this could cause not only damage to the scooter but also injure the rider.

Protective equipment should be worn. Not to be used in traffic. 50kg max. The scooter should be used with caution, since it requires great skill, so as to avoid falls or collisions causing injury to the user and the third parties. Do not take this scooter on the road or public highway.

CUSTOMER HELPLINE

Hy-Pro advise you to contact us directly and not to return this item to the place of purchase. Hy-Pro has taken great care to ensure this item has reached you in good condition, should you have a query, please ring our helpline +44 (0) 800 731 0006 where your call will be dealt with promptly. For technical support please email us at customerservices@zincq.com.



- ADULT SUPERVISION IS RECOMMENDED
- PLEASE RETAIN FOR FUTURE REFERENCE
- COLOUR & CONTENTS MAY VARY FROM THOSE SHOWN ON PACKAGING

MADE IN CHINA © ZINC 2009-2021



HY-PRO
LU5 5BN, UK

Hy-Pro House, Centrus Park
Arenson Way, Dunstable
Bedfordshire LU5 5BN
United Kingdom

Customer Care Line
Tel: +44 (0) 800 731 0006
www.hy-pro.co.uk
www.zincsports.com