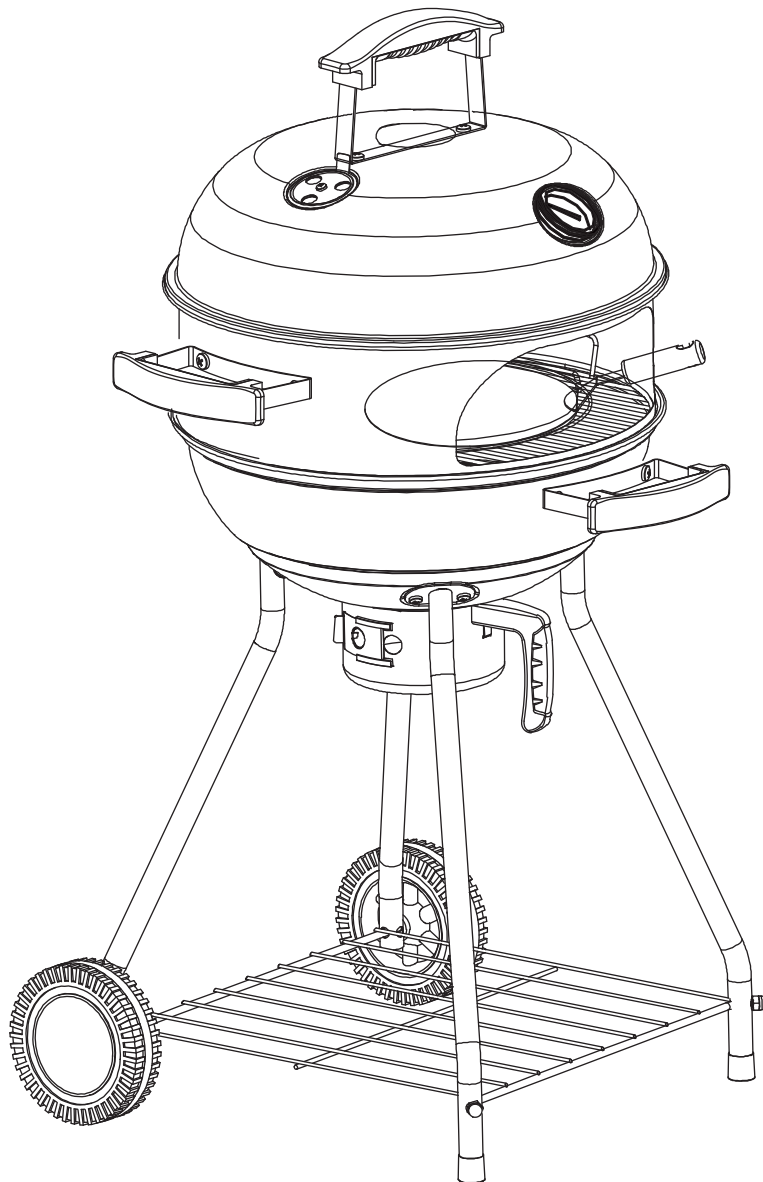


## Kettle Charcoal BBQ with Pizza oven and paddle

Assembly Instructions - Please keep for future reference

9405936



### Dimensions

Width - 56 cm

Depth - 55 cm

Height - 100.5 cm

**Important - Please read these instructions fully before starting assembly**

If you need help or have damaged or missing parts, call the **Customer Helpline: 03456 400800**



# Safety and Care Advice

**Important - Read and follow instructions carefully before use.**

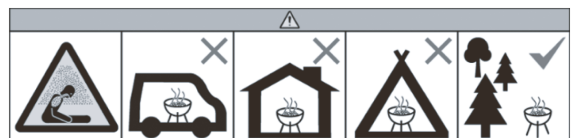
- Failure to follow instructions could result in death, serious bodily injury and/or property loss.
- For household outdoor use only, not for commercial use.
- Some parts may have sharp edges-especially where noted in this manual.
- Wear protective gloves if necessary.
- These instructions must be kept with the consumer and retained for further use.
- Never touch metal parts which may be not.
- Do not use or pour gasoline methylated spirits or paraffin onto burning charcoal.
- Do not use indoors.
- Do not attempt to move barbecue while in use with hot charcoal.
- Never handle charcoal or kindling wood after lighting.
- Keep children and pets clear of this barbecue.
- For outdoor use only.
- DO NOT use indoors. Place in well-ventilated areas.
- DO NOT use gasoline, kerosene or alcohol for lighting!
- DO NOT touch metal parts of barbecue until it has cooled to avoid burns, unless you are wearing protective gear (eg. Potholders, gloves, etc.)
- DO NOT use barbecue unless it's completely assembled and all parts are securely fastened and tightened.
- Never leave barbecue unattended during operation or cleaning.
- Never allow children to operate or play near this or any barbecue.
- DO NOT move this barbecue when in operation or hot.
- DO NOT remove the ash-plate tray until coals are completely extinguished.
- WARNING! DO NOT wear loose clothing and tie back long hair around a barbecue while in use or hot.
- Keep out of reach of children & pets
- Never take out the charcoal grid while in use.
- Always place the barbecue on level surface and far away from combustibles and children.
- DO NOT move the barbecue once the barbecue is lit.
- DO NOT use the barbecue in high wind.
- Never dismantle this appliance while in use or hot.
- DO NOT use barbecue indoors, on recreational vehicles, or on a boat.
- This barbecue is for outdoor use only and should be placed on a firm, level, and fire retardant surface. The barbecue should be located in an open area with good ventilation.
- Combustible or flammable material should NEVER be used or stored within 6 feet of your barbecue.
- DO NOT use this barbecue in a fully or partially enclosed area such as garage, breezeway, carport, and porch or under a surface that can catch fire.

## Assembly

- While every effort has been made in the manufacture of your barbecue to remove any sharp edge, you should handle all components with care to avoid accidental injury.
- Dispose of all packaging carefully and keep out of the reach of children.
- Please read the section on barbecue safety prior to using your barbecue.

## Instructions for use

- Make sure the assembly instructions have been followed correctly.
- Set the barbecue up in a suitable position, on a level surface away from areas likely to catch fire. The base of the barbecue will get hot so ensure it stands on a suitable fire retardant surface.
- Use charcoal or kindling wood and a suitable lighting method.
- Make sure that the cooking grid is fully situated into the grid supports so that the cross bar supports lock behind the retaining edges.
- ALWAYS WEAR OVEN GLOVES WHEN HANDLING.



**Do not use the barbecue in a confined and/or habitable space e.g. houses, tents, caravans, motor homes, boats. Danger of carbon monoxide poisoning fatality.**



## Safety and Care Advice

### How to start your barbecue

- Make sure the assembly instructions have been followed correctly.
- Set the barbecue up in a suitable position, on a level surface away from areas likely to catch fire. The base of the barbecue will get hot so ensure it stands on a suitable surface.
- Always stand your barbecue outdoors and level ground away from trees and wooden fencing. Ensure there is at least 1 metre clearance around all sides of the barbecue, keep away from fences, over hanging branches and other combustible materials.
- The barbecue shall be heated up and the fuel kept red hot for at least 30 min prior to cooking.
- Do not cook before the fuel has a coating of ash.

- Use Charcoal and a suitable lighting method:  
Method.1 Charcoal & Lighting Fluid/Gel
  - a) Set up your barbecue in a safe place. Place enough charcoal in the bowl. Max. 1.2KG.
  - b) DO NOT spill any liquid/gel onto your hands or clothes. Apply carefully the lighting fluid/gel over the charcoal.
  - c) If using lighting fluid, wait for 30 seconds to allow the liquid to soak into the charcoal.
  - d) DO NOT light the charcoal if you have spilt fluid or gel onto your clothes. Light the charcoal using a long tape or safety lighter. The charcoal will then burn for a period with flames.
  - e) When the flames die down, check the charcoal is beginning to glow red. If your coals are going out you should open all the vents and allow to cool down before trying to apply more liquid.  
Lighting fluid/gel should be applied carefully and in small amounts. Too much lighting fluid/gel can be dangerous.
  - f) DO NOT squirt liquid onto burning charcoal.

- Method 2 Lighting Blocks
- a) Place three or four lighting blocks in the centre of the barbecue bowl and light with a match.
  - b) Place piece of charcoal around each burning block. Add more charcoal as required, in a pyramid formation.
  - c) When burning is established, spread the fuel out evenly. After lighting, the fire should be ready, or when even white ash is visible by day, or an even red glow is visible by night.
- ALWAYS WEAR OVEN GLOVES WHEN HANDLING THE BARBECUE.

### Care and Maintenance

- To make it easier to clean your barbecue after use, line the fire bowl with aluminum cooking foil, shiny side up. Remember to leave ventilation holes clear by piercing the foil where necessary. This process will lengthen the life of your barbecue.
- Charcoal is available in lump wood form (large irregular pieces) or as briquettes (uniformly sized pieces).
- It is not recommended to completely fill the fire bowl as the barbecue may become far too hot. As a guide a 3kg bag of charcoal in a 43cm (17") diameter barbecue should last for at least 2 full barbecue fires.
- If the fire flares up due to dripping fat then douse the flames lightly with a fine water spray.
- When you have finished using the barbecue, never pour cold water directly on the coals to extinguish them as this may damage your barbecue. Use old cinder, sand or a fine waster spray.
- To clean your barbecue, soak the cooking grate and tools in hot soapy water as soon as possible after use. Dry thoroughly and store in a dry place. Do not leave your barbecue outside unprotected.



## Safety and Care Advice

**Important:** please read these instructions fully before starting assembly

- **WARNING** any braziers/barbecue should not be left unattended.
- Keep the barbecue away from homes, garages and flammable materials/ fluids or vehicles while in use.
- Barbecue is not to be used by children.
- Do not use in windy conditions.
- Use caution when using in combustible surface and avoid wearing flammable clothing while barbecue is in use.
- Always remember ashes can remain hot for long periods.
- Do not overload or use to burn leaves, trash or paper.
- Use caution and heat resistance gloves when handling or moving.
- When in use, surfaces will be hot.
- All fires must be completely extinguished before retiring. Do not store hot or with ashes inside.

- Never overload the barbecue with too many charcoals. Don't use the barbecue as an incinerator, and never burn garbage, Christmas trees, or piles of paper.
- Keep fire extinguisher on hand. See that the extinguisher is in good working order and that all family members know how to operate it.
- Indoor use can be fatal.
- Do not use the barbecue under windy conditions, do not burn trash, leaves, cardboard in the barbecue.

**Attention! This barbecue will become very hot. DO NOT move it during operation. DO NOT use indoors. Warning! Keep children and pets away. CAUTION! DO NOT use spirit or petrol for lighting or re-lighting! Use only firelighters complying to EN 1860-3.**

### Safety notes

- Keep away from flammable material and fluids such as gasoline, alcohol, diesel fuel, kerosene and charcoal lighter fluid or vehicles while in use.
- Do not use flammable fluids such as gasoline, alcohol, diesel fuel, kerosene and charcoal lighter fluid to light or relight fires.
- Exercise the same precautions you use with an open fire.
- Do not allow children to use barbecue. Keep Children and pets away from barbecue.
- Do not wear loose or flammable clothing when using the barbecue.
- Do not burn trash, leaves, paper cardboard or plywood in barbecue. Avoid using soft wood such as pine or cedar that are likely to throw sparks. Use of seasoned hardwood is suggested.

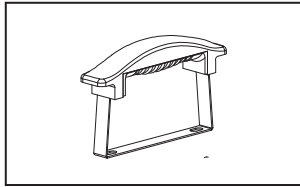
- Do not store barbecue with ashes or combustible materials inside. Do not store barbecue until the fire is completely out and all surfaces are cold.
- Use heat resistant gloves when handling barbecue and tending the fire. Use long handled, sturdy barbecue equipment when adding or moving charcoals.
- Do not move barbecue while in use.
- Always use in accordance with all applicable local and national fire codes.
- Use only on non-combustible surfaces such as concrete, brick, rock, etc.. Do not use on a wooden deck unless screens are in place and barbecue is under constant supervision. Do not leave unattended. Keep all bolts, nuts and screws tight to make sure barbecue is in safe working condition. Inspect on a routine basis to ensure your barbecue is functioning reliably.

- Stand your barbecue on a safe, level surface, away from flammable items such as wooden fences or over-hanging tree branches. NEVER USE your barbecue indoors or in confined areas.
- DO NOT use gasoline, paraffin, methylated spirit or lighter fuel to light your barbecue.
- Once lit DO NOT move your barbecue or leave it unattended.
- Keep children and pets a safe distance away from the barbecue.
- Keep a fire extinguisher handy.
- During use the barbecue will get hot, please use oven.
- Ensure that the barbecue has completely cooled before removing the ash.

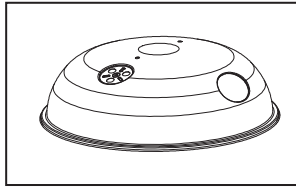
# Components

If you have damaged or missing components,  
call the Customer Helpline: 0845 0778888

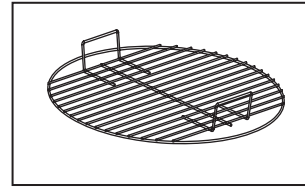
Please check you have all the components listed below



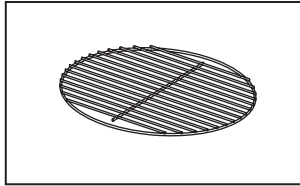
1 Lid Handle x 1



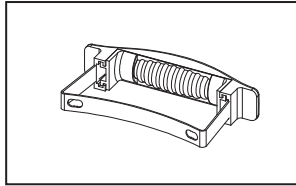
2 Lid x 1



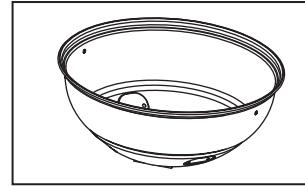
3 Cooking Grid x 1



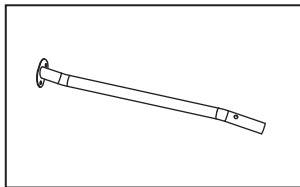
4 Charcoal Grid x 1



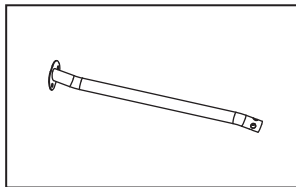
5 Bowl Handle x 4



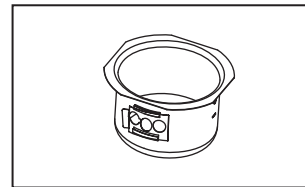
6 Fire Bowl x 1



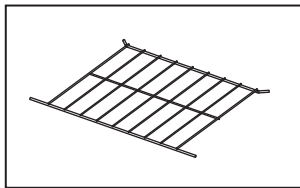
7 Leg x 2



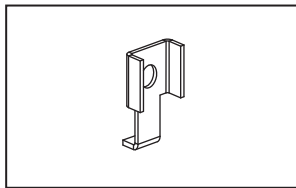
8 Wheel Leg x 2



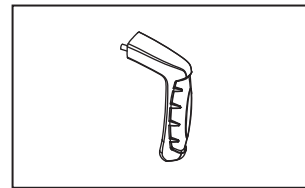
9 Ash Tray x 1



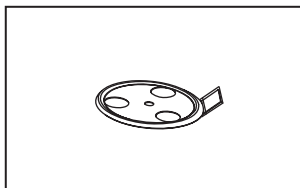
10 Bottom Grid x 1



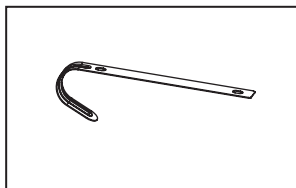
11 Tray Link x 1



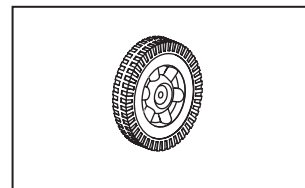
12 Tray Handle x 1



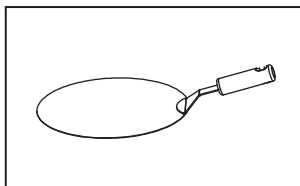
13 Air Vent x 1



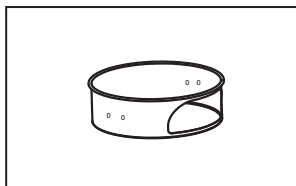
14 Hook of Lid x 1



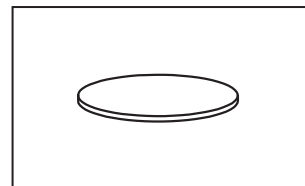
15 Wheel x 2



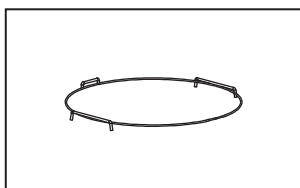
16 Shovel x 1



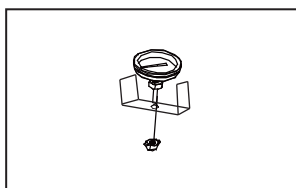
17 S/S Ring x 1



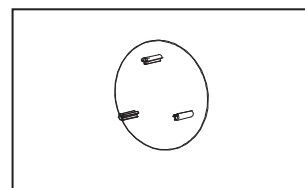
18 Pizza Stone x 1



19 Grid Holder x 1



20 Thermometer x 1



21 Wheel Cover x 2

# Components - Fitting

Please check you have all the components listed below

**A** M5 X10mm X 1 pc



**B** M6 X12mm X18 pcs



**C** M6 Nut X 19 pcs



**D** M8 Nut X 2 pcs



**E** M8 Nut X 2 pcs



**F** M5 Nut X 1 pc



**G** Ø 18 X 2 pcs



**H** Ø 6 X Ø12 X 17 pcs



Ruler - Use this ruler to help correctly identify the screws

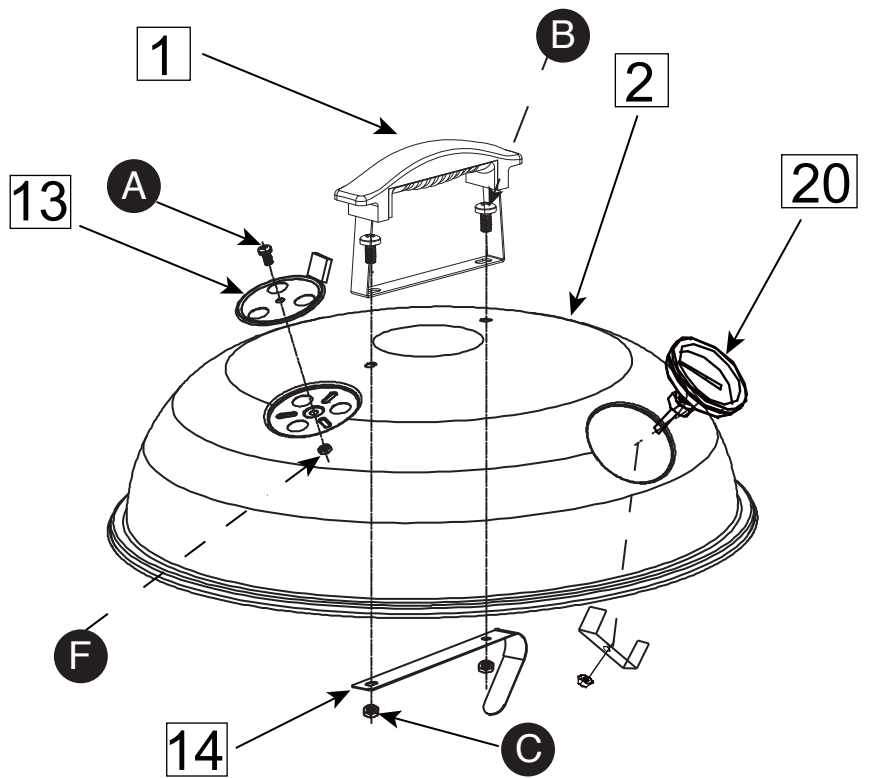


# Assembly Instructions

## Step 1

### Attaching Lid with handle

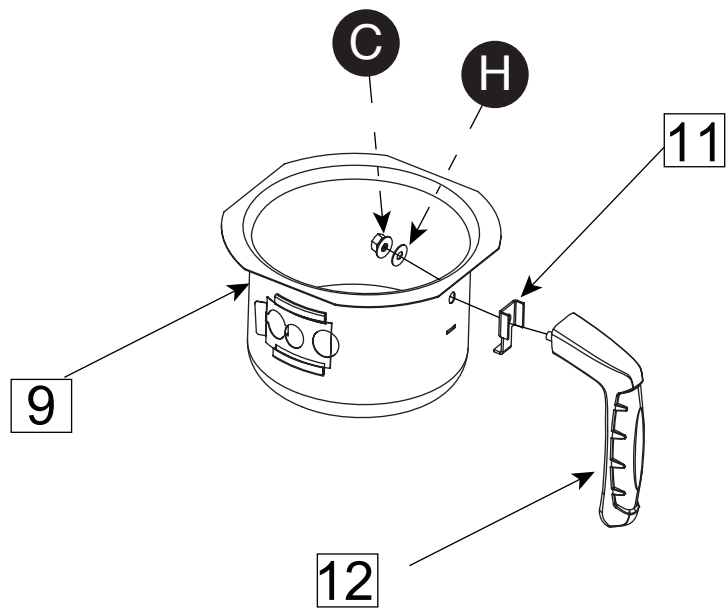
Attach handle **1** & Hook **14** to lid **2** with M6x12mm screw **B** & M6 nut **C**  
Attach thermometer **20** to lid **2**  
Attach the air vent **13** to lid **2** with M5x10mm screw **A** & M5 nut **F**.



## Step 2

### Attaching ash tray

Attach the ash tray handle **12** to ash tray **9** with M6 nut **C** & Ring **H**.



# Assembly Instructions

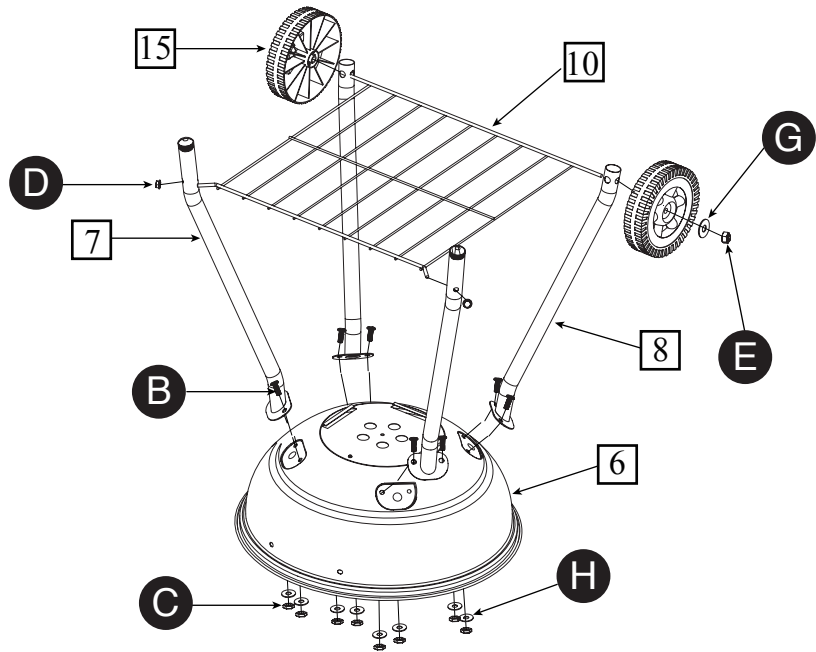
## Step 3

### Attaching Leg with bowl

Attach bottom grid **10** with leg **7** by use M8 nut **D**.

Attach bottom grid **10** and wheel **15** with wheel leg **8** by use M8 nut **E** and ring **G**.

Attach wheel leg **8** and leg **7** with fire bowl **6** by M6x12 bolt and **B** & M6 nut **C** and ring **H**.

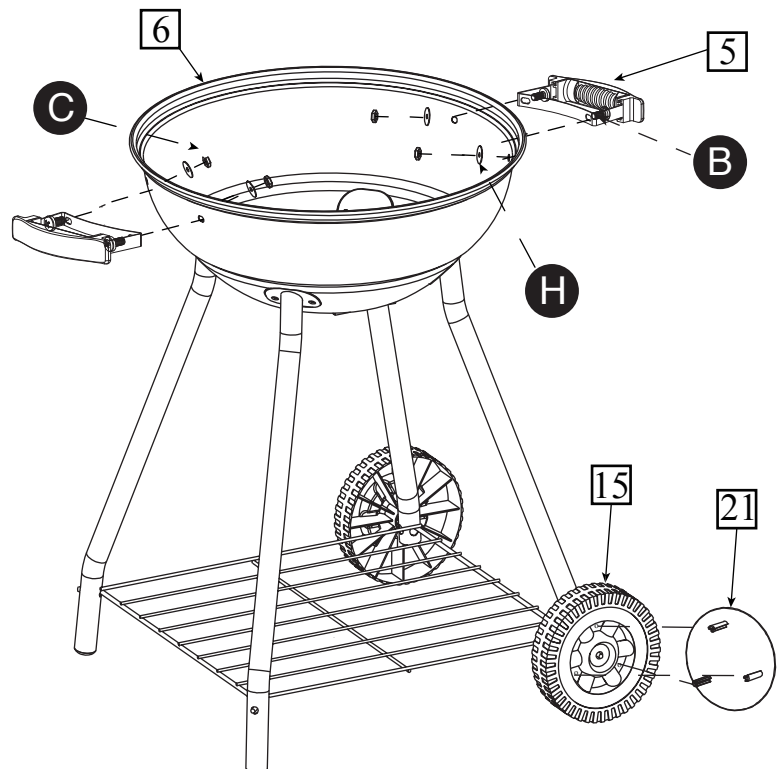


## Step 4

### Attaching Fire Bowl Handle & Wheel Cover

Attach handle **5** to fire bowl **6** with M6 bolt **B** & M6 nut **C** and ring **H**.

Attach wheel cover **21** to wheel **15**.

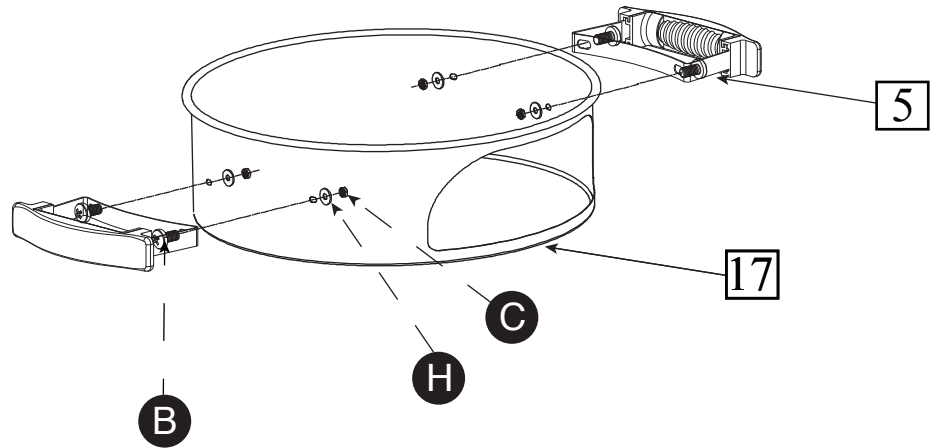


# Assembly Instructions

## Step 5

### Attaching Handle with Pizza ring

Attach handle **5** to s/s ring **17** with M6 bolt **B** & M6 nuts **C** and ring **H**.



## Step 6

### Attaching pizza stone and paddle & ash tray

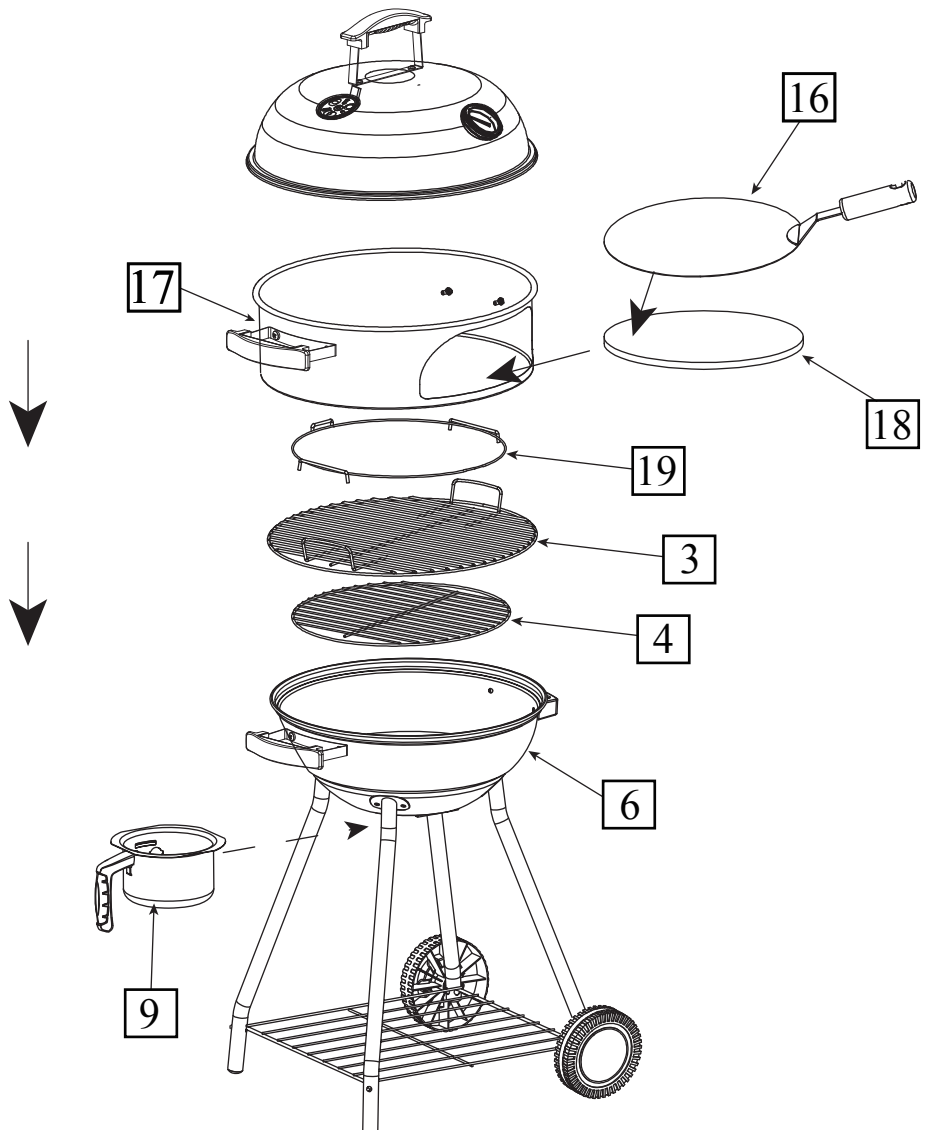
Put the charcoal grid **4** & cooking grid **3** into the fire bowl.

Put the grid holder **19** on cooking grid **3**.

Put s/s ring **17** on the fire bowl **6**.

Put shovel **16** & pizza stone **18** on grid holder **19**.

Put the ash tray **9** to the bottom of the fire bowl **6**.



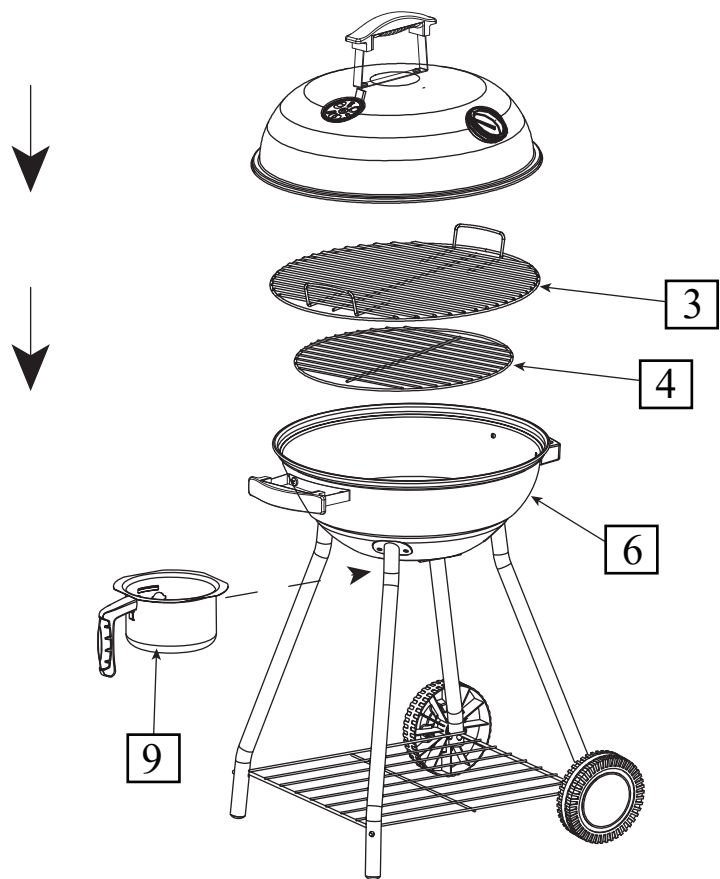
# How to assemble and use as a Kettle BBQ

## Step 7

### How to assemble as a normal kettle BBQ

Put the charcoal grid 4 & the cooking grid 3 into the firebowl.

Slide the ash tray 9 into the bottom of the fire bowl 6 .



Produced in China. Sainsbury's Supermarkets Ltd, 33 Holborn, London EC1N 2HT. Sainsbury's (NI) Ltd, Forestside Shopping Centre, Upper Galwally, Belfast, United Kingdom, BT8 6FX. Argos Limited, 489-499 Avebury Boulevard, Milton Keynes, MK9 2NW. Argos (N.I.) Ltd, Forestside Shopping Centre, Upper Galwally, Belfast, United Kingdom, BT8 6FX. Argos Distributors (Ireland) Limited, Unit 7, Ashbourne Retail Park, Ballybin Road, Ashbourne, County Meath, Ireland.

If you need help or have damaged or missing parts, call the **Customer Helpline**: 03456 400800