

AS SEEN
ON TV

JML

DriBUDDi



instructions

Thank-you for purchasing the JML DriBuddi. In order to make the best use of this product and use it safely, please read these instructions carefully before use and keep for future reference.

Guide To Safe Operation

- Do not overload your DriBuddi. Clothes to be dried should not exceed 10kg when damp
- Keep your DriBuddi at least 1.5m away from any water or fire source
- The metal parts above the motor become hot during use.
Never touch these metal parts as they may cause burns to the skin
- Keep children away from the DriBuddi whilst in use
- Ensure that the area around the tripod legs is kept clear
- Ensure that the holes on the zip-on cover are not covered in any way during operation
- Keep the unit away from water or other liquids to avoid electrical discharge; don't plug the product in if it's resting on a wet surface
- Keep the cord away from hot surfaces and sharp edges
- Before the first use and periodically thereafter check the plug; if it's damaged do not use
- Don't open the unit or attempt to change or repair.
Unauthorized repairs will invalidate the warranty
- Unplug the cord after use, before assembling or disassembling parts, or before cleaning
- Do not use for any purpose other than described in this user guide

Components

- A. Motor unit
- B. Clothes Hanger Unit
- C. Lower Tube
- D. Timer Switch
- E. Waterproof Plate
- F. Dryer Legs x 3
- G. Cover
- H. Clothing Rack

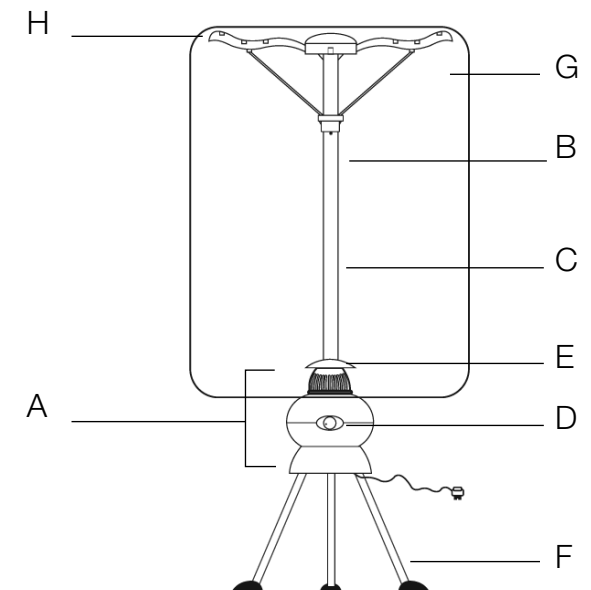
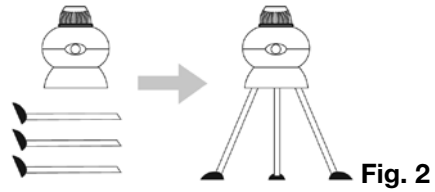
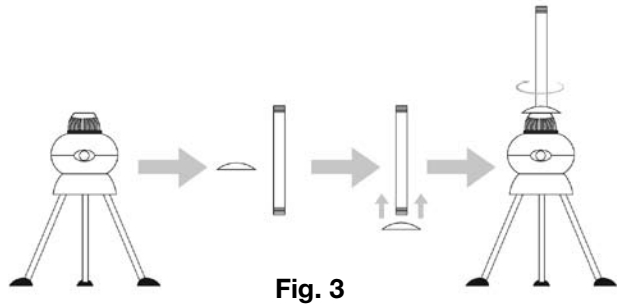


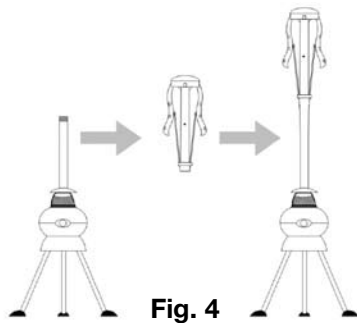
Fig. 1



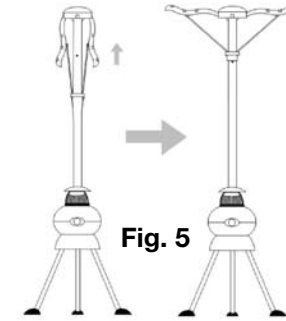
- Assembly**
1. Insert the three dryer legs (F) into the corresponding holes on the base of the motor unit (A) (see Fig.2).



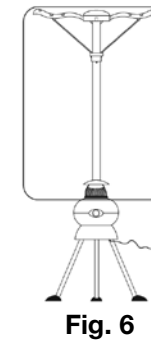
2. Fit the waterproof plate (E) onto the lower tube (C) and screw the lower tube onto the motor unit by turning it in a clockwise direction until tight (see Fig.3).



3. Screw the clothes hanger (B) to the lower tube until tight (see Fig.4).



4. In a similar way to opening an umbrella, push the sleeve of the clothes hanger unit upwards, until the arms are fully horizontal and it clicks into place (see Fig.5).



5. Put clothes onto hangers (preferably plastic hangers and hang from clothing rack (H)). Clothes should ideally not be touching too closely. Do not overload as this will adversely affect the drying time (Dri Buddy is suitable for up to 18 garments).
6. Open up all zips of cover, surround the hanging clothes with the cover and zip up all zips. Important: Ensure that the sections of the cover around the motor unit are correctly seated.

Operating Instructions

1. Insert the plug into the electrical wall socket.
2. Turn the timer switch (D) clockwise to the desired duration of drying.
3. The DriBuddi will switch off automatically after the chosen duration.
4. Rotate the switch anti-clockwise to enable the DriBuddi to work without a time limit

Notes

- Prior to use, make sure that clothes to be dried have already been spin-dried by a washing machine, or well wrung in the case of hand washing. This will ensure a dramatically faster drying time, and will reduce the quantity of water dripping onto the base of the drier.

- Hang a selection of small and large items on your DriBuddi so that garments are ideally not touching each other and there is enough space for air to flow around the clothes. Failure to do so will result in longer drying times.

Maintenance

Clean only with a damp cloth. Do not rinse with water in any way.

Product Information

AC 220-240V

50 Hz

900W



Not to be disposed
of with other
household waste

John Mills Ltd

JML House, Regis Road

London NW5 3EG

Tel: 020 7691 3800

Fax: 020 7691 3801



John Mills Limited
JML House Regis Road, London NW5 3EG
Tel: 020 7691 3800 • Fax: 020 7691 3801
info@johnmillsltd.co.uk • www.jmldirect.com