

#54112, #54113, #54123,  
#54129, #54148, #54154,  
#54156

**Bestway.**



**Lay-Z-Spa™**

[www.bestwaycorp.com](http://www.bestwaycorp.com)  
Visit Bestway YouTube channel



S-S-004864

# CONTENTS

<b>1. Safety Instructions</b> .....	P2	<b>5. Maintenance</b> .....	P14
<b>2. Specifications</b> .....	P5	Filter Cartridge Maintenance	
<b>3. Installation</b> .....	P8	Water Maintenance	
Selected Location		Air-Valve Adjustment	
Pump Test		Draining the Spa	
		Cleaning the spa	
<b>4. Pump Operation</b> .....	P13	Spa Repair	
Heating Reset		Lay-Z-Spa Storage	
Control Panel		Disposal	
Alarms		<b>6. Troubleshooting</b> .....	P15
		<b>7. Warranty</b> .....	P16



## SAFETY INSTRUCTIONS

When installing and using this electrical equipment, basic safety precaution should always be followed, including the following:

**IMPORTANT SAFETY INSTRUCTIONS - READ AND FOLLOW ALL INSTRUCTIONS.**

### WARNING:

- The spa must be supplied through an isolating transformer or supplied through a residual current device (RCD) having a rated residual operating current not exceeding 30mA.
- The pump must be tested before each use, to test follow the instruction of pump.
- If the supply cord is damaged, it must be replaced by the manufacturer, service agent or similarly qualified persons in order to avoid a hazard.
- To reduce the risk of electric shock, do not use extension cord to connect unit to electric supply; provide a properly located outlet.
- No part of the appliance is to be located above the bath during use.
- Parts containing live parts, except parts supplied with safety extra-low voltage not exceeding 12V, must be inaccessible to a person in spa pool; Parts incorporating electrical components, except remote control devices, must be located or fixed so that they cannot fall into the spa pool.
- The spa must be supplied by earthed power source.
- **Warning: Always keep plug dry, plug in with wet plug is definitely forbidden!**
- It is necessary to have the plug accessible after installation of the spa.

**CAUTION:** In order to avoid a hazard due to inadvertent resetting of the thermal cut-out, this appliance must not be supplied through an external switching device, such as a timer, or connected to a circuit that is regularly switched on and off by the utility.

After using your spa for 3-5 years, you should contact your local qualified maintenance technician to ensure the safety and performance of the spa. The main components, such as heating element, air blower motor and non-return valves within the electric unit should be checked and replaced (if necessary) by professional persons.

- **TO AVOID ELECTRIC SHOCK, DO NOT USE THE SPA WHEN IT IS RAINING.**
- Never wear your contact lenses when in your spa.
- Do not use spa during chemical maintenance.
- The power source on the wall of building should keep more than 4m away from pool and at a height of 1.2m at least.
- Extension cords can't be used.
- Don't plug or unplug the appliance if hand is wet.
- Always unplug the appliance:
  - on rainy days
  - before cleaning or other maintenance
  - if leave it unattended on holidays
- Cleaning and user maintenance must be performed by an adult above 18 years old who is familiar with the risk of electric shock.
- When the appliance will be not used for a long time, such as in the winter, the spa or pool set

should be disassembled and stored indoor.

- **Caution:** Read the instruction before using the appliance and installation or reassemble every time.
- Safekeeping the instruction. If instruction is missed, please contact with manufacturer or search it in website [www.bestwaycorp.com](http://www.bestwaycorp.com)
- **Warning: For electric safety, a PRCD is incorporated in the power cord, if the leakage current is detected more than 10mA, the device will operate and cut-off the power supply, in such case, please unplug and stop using the spa at once. Don't reset the product by yourself. And you must contact the local service agent to check and repair the product.**
- This appliance can be used by children aged from 8 years and above and persons with reduced physical, sensory or mental capabilities or lack of experience and knowledge if they have been given supervision or instruction concerning use of the appliance in a safe way and understand the hazards involved. Children shall not play with the appliance. Cleaning and user maintenance shall not be made by children without supervision. (For EU market)  
This appliance is not intended for use by persons (including children) with reduced physical, sensory or mental capabilities, or lack of experience and knowledge, unless they have been given supervision or instruction concerning use of the appliance by a person responsible for their safety. Children should be supervised to ensure that they do not play with the appliance. (For market other than EU)
- Water attracts children; always attach a spa cover after each use.
- Do not bury cord. Locate cord to minimize abuse from lawn mowers, hedge trimmers, and other equipment.
- Risk of Accidental Drowning. Extreme caution must be exercised to prevent unauthorized access by children. To avoid accidents, ensure that children can not use this spa unless they are supervised at all times.
- **RISK OF INJURY.** Never operate spa if inlet / outlet pipes are broken or missing. Never attempt to replace the inlet / outlet pipes. Always consult your local Aftersales centre.
- **RISK OF ELECTRIC SHOCK.** Install at least 2m from all metal surfaces.
- **RISK OF ELECTRIC SHOCK.** Never operate any electrical appliance when in your spa or when your body is wet. Never place any electric appliance, such as a light, telephone, radio, or television, within 2m of spa.
- During pregnancy, soaking in hot water may cause damage to the fetus. Limit use to 10 minutes at a time.
- **TO REDUCE THE RISK OF INJURY:**
  - A. The water in a spa should never exceed 40°C (104°F). Water temperature between 38°C (100°F) and 40°C (104°F) is considered safe for a healthy adult. Lower water temperatures are recommended for young children and when spa use exceeds 10 minutes.
  - B. Since excessive water temperatures have a high potential for causing fetal damage during the early months of pregnancy, pregnant or possibly pregnant women should limit spa water temperature to 38°C (100°F).
  - C. Before entering a spa, the user should measure the water temperature with an accurate thermometer since the tolerance of water temperature regulating device varies.
  - D. The use of alcohol, drugs, or medication before or during spa use may lead to unconsciousness with the possibility of drowning.
  - E. Obese persons and persons with a history of heart disease, low or high blood pressure, circulatory system problems, or diabetes should consult a physician before using a spa.
  - F. Persons using medication should consult a physician before using a spa since some medication may induce drowsiness while other medication may affect heart rate, blood pressure, and circulation.
- **TO REDUCE THE RISK OF INJURY:** Never pour water with a temperature higher than 40°C (104°F) into the spa pool directly.
- The use of alcohol, drugs, or medication can greatly increase the risk of fatal hyperthermia. Hyperthermia occurs when the internal temperature of the body reaches a level that is several degrees above the normal body temperature of 37°C (98.6°F). The symptoms of hyperthermia include an increase in the internal temperature of the body, dizziness, lethargy, drowsiness, and fainting. The effects of hyperthermia include failure to perceive heat; failure to recognize the need to exit spa or hot tub; unawareness of impending hazard; fetal damage in pregnant

women; physical inability to exit the spa or hot tub; and unconsciousness resulting in the danger of drowning.

- Electric installations should follow national wiring rules, consult a qualified electrician with any questions.

### CONSULT YOUR PHYSICIAN FOR RECOMMENDATIONS.

#### CAUTION:

- The spa should not be setup or left out in temperature lower than 4°C (40°F).
- Do not use the spa alone.
- People with infectious diseases should not use a spa.
- Do not use the spa immediately following strenuous exercise.
- Always enter and exit the spa slowly and cautiously. Wet surfaces are slippery.
- To avoid damage to the pump, the spa must never be operated unless the spa is filled with water.
- Immediately leave spa if the user feels uncomfortable or sleepy.
- Never add water to chemicals. Always add chemicals to water to avoid strong fumes or violent reactions that may result in hazardous chemical spray.
- Regarding the information pertaining to cleaning, maintenance of water, and disposal of water, please see section "MAINTENANCE".
- Regarding the information pertaining to the installation, please refer to the below paragraph of the manual.

#### NOTE:

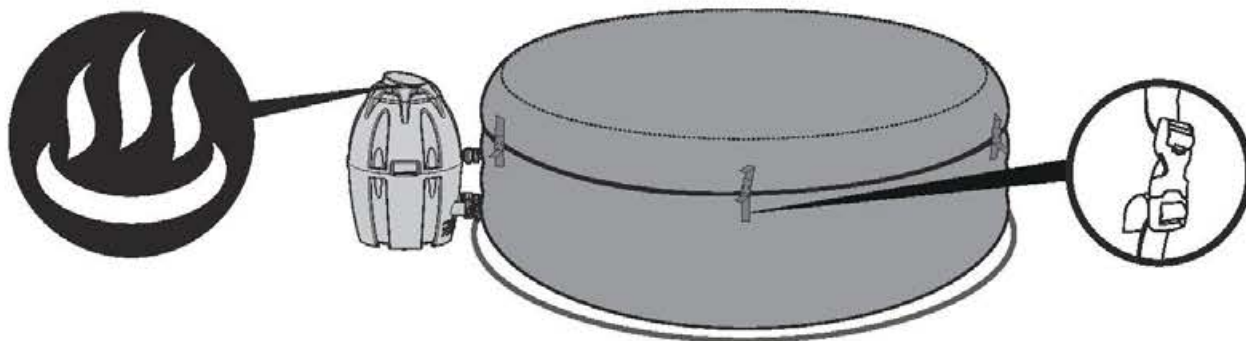
- Please examine equipment before use. Notify Bestway at the customer service address listed on this manual for any damaged or missing parts at the time of purchase. Verify that the equipment components represent the models that you had intended to purchase.
- This product is not intended for commercial use.

## SAVE THESE INSTRUCTIONS

### IMPORTANT !

To reach 40°C (104°F), the heating duration required is base on the starting water temperature and ambient temperature, the data below is purely for reference. To display the current water temperature, run the filter system for at least a minute.

Ambient Temperature	Water Temperature	Set Temperature	Heating Duration
10°C(50°F)	10°C(50°F)	40°C(104°F)	18.5h
15°C(59°F)	15°C(59°F)	40°C(104°F)	15h
20°C(68°F)	20°C(68°F)	40°C(104°F)	11.5h
25°C(77°F)	25°C(77°F)	40°C(104°F)	8.5h
30°C(86°F)	30°C(86°F)	40°C(104°F)	5.5h



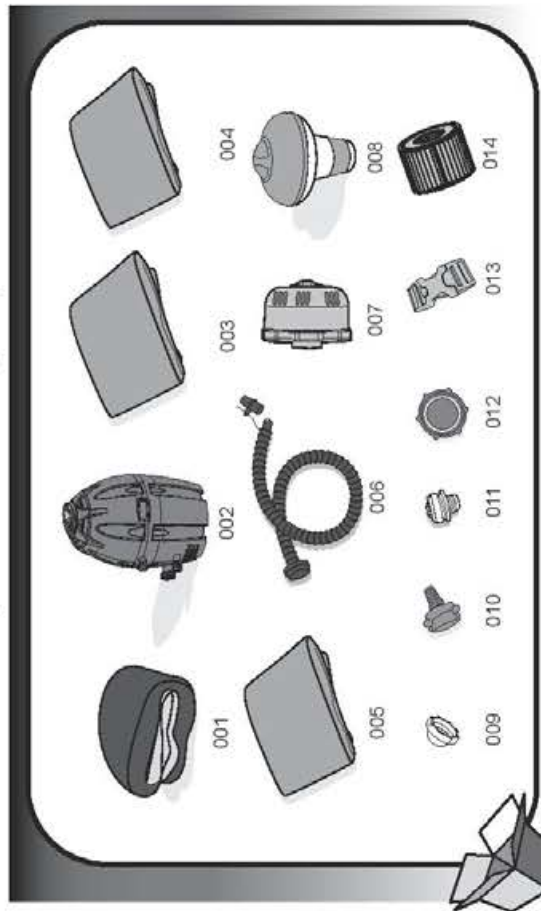
Be sure to cover the spa with the spa cover whenever the heating function is activated. Leaving the spa uncovered will increase the heating duration required.

Please do not use the spa when ambient temperature is lower than 4°C (39°F).

### SPECIFICATIONS FOR LAY-Z-SPA™ VEGAS AirJet (#541112)

Capacity:	4-6 Adults	Massaging Turbo Blower:	800W	Increased Heat Rate:	Approximately 1.5-2°C/h (3-4°F/h)
Water Capacity (80%):	935 L (247 gal)	Heat Element:	2,000W at 20°C	Actual Water Flow:	1,325 L/h (350 gal/h)
Inflated Size:	1.96m x 61cm (77" x 24")	Pump:	50W Circulation Filter Pump	Power Rate:	220-240V AC, 2,050W at 20°C
Filled Weight:	966 kg (2,130 Lb)	Temperature Capacities:	40°C (104°F)	Working Pressure:	0.9PSI (0.055Bar)

**NOTE:** The above heating rate is based on a lab test conducted with an ambient temperature of 25°C (77°F) and above.

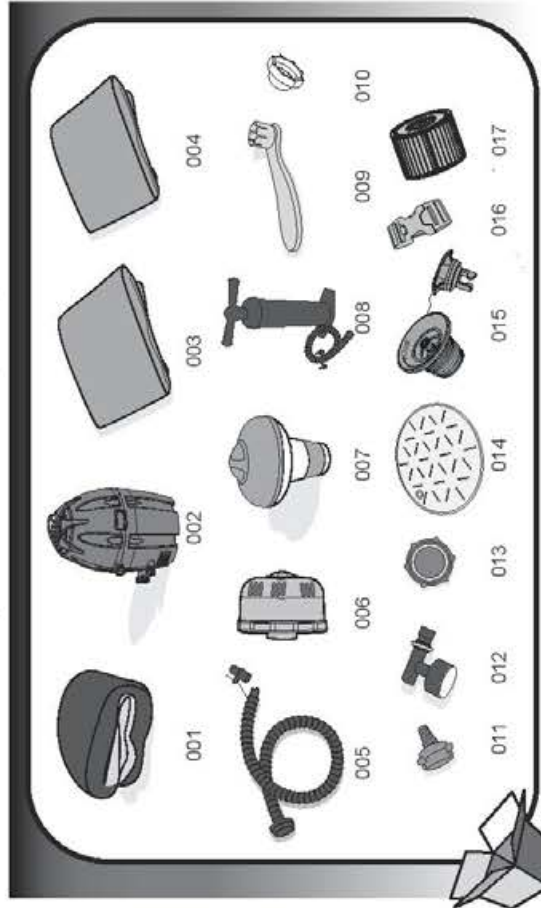


Part N.	Part Code	Description	QTY
001	54112TASS15	Pool liner	1
002	P4-H054ASS17	Spa Heater	1
003	P5H284GASS17	Top Leatheroid Cover	1
004	P5H284TASS17	Liner Leatheroid Cover	1
005	54112GASS15	Inflatable Cover	1
006	P6931	Inflation Hose	1
007	P6653	Filter Set	1
008	58426S17	Chemical Floater	1
009	P6575	Stoppers	2
010	P6932	Hose Adapter	1
011	F4A024ASS	Screw Valve	1
012	P6611	Cover Adapter A	1
013	F6414ASS	Buckle	8
014	58323	Filter Cartridge (VI)	2

### SPECIFICATIONS FOR LAY-Z-SPA™ MONACO AirJet (#541113)

Capacity:	6-8 Adults	Massaging Turbo Blower:	800W	Increased Heat Rate:	Approximately 1.0-1.5°C/h (2-3°F/h)
Water Capacity (80%):	1,463 L (384 gal.)	Heat Element:	2,000W at 20°C	Actual Water Flow:	1,325 L/h (350 gal/h)
Inflated Size:	2.01m x 69cm (79" x 27")	Pump:	50W Circulation Filter Pump	Power Rate:	220-240V AC, 2,050W at 20°C
Filled Weight:	1,490 kg (3,284 Lb)	Temperature Capacities:	40°C (104°F)	Working Pressure:	7PSI-10PSI (0.48Bar-0.69Bar)

**NOTE:** The above heating rate is based on a lab test conducted with an ambient temperature of 25°C (77°F) and above.

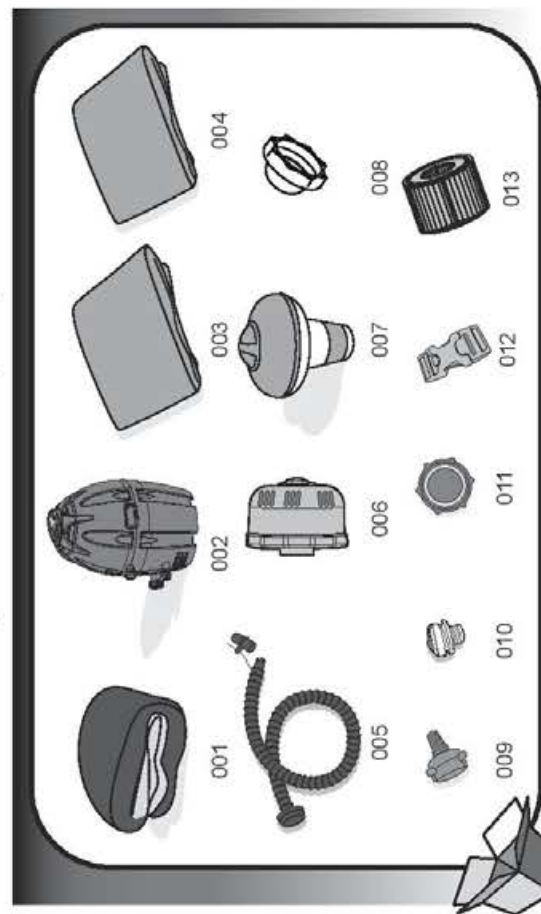


Part N.	Part Code	Description	QTY
001	54113TASS17	Pool liner	1
002	P4D148ASS17	Spa Heater	1
003	P5D288ASS17	Top Leatheroid Cover	1
004	54113GASS17	Inflatable Cover	1
005	P6931	Inflation Hose	1
006	P6653	Filter Set	1
007	58426S17	Chemical Floater	1
008	P3054Q17	High Pressure Hand Pump	1
009	F6H189ASS15	Wrench	1
010	P6675	Stoppers	2
011	P6932	Hose Adapter	1
012	P6608	Pressure Gauge	1
013	P6611	Cover Adapter A	1
014	12632ASS15	Inflated Cushions	4
015	P6H1971	Inflation Valve	1
016	F6414ASS	Buckle	6
017	58323	Filter Cartridge (VI)	2

### SPECIFICATIONS FOR LAY-Z-SPA™ MIAMI AirJet (#54123)

Capacity:	2-4 Adults	Massaging Turbo Blower:	800W	Increased Heat Rate:	Approximately 1.5-2°C/h (3-4°F/h)
Water Capacity (80%):	669 L (177 gal)	Heat Element:	2,000W at 20°C	Actual Water Flow:	1,325 L/h (350 gal/h)
Inflated Size:	1,80m x 66cm (7'1" x 26")	Pump:	50W Circulation Filter Pump	Power Rate:	220-240V AC, 2,050W at 20°C
Filled Weight:	696 kg (1,534 Lb)	Temperature Capacities:	40°C (104°F)	Working Pressure:	0.8PSI (0.055Bar)

**NOTE:** The above heating rate is based on a lab test conducted with an ambient temperature of 25°C (77°F) and above.

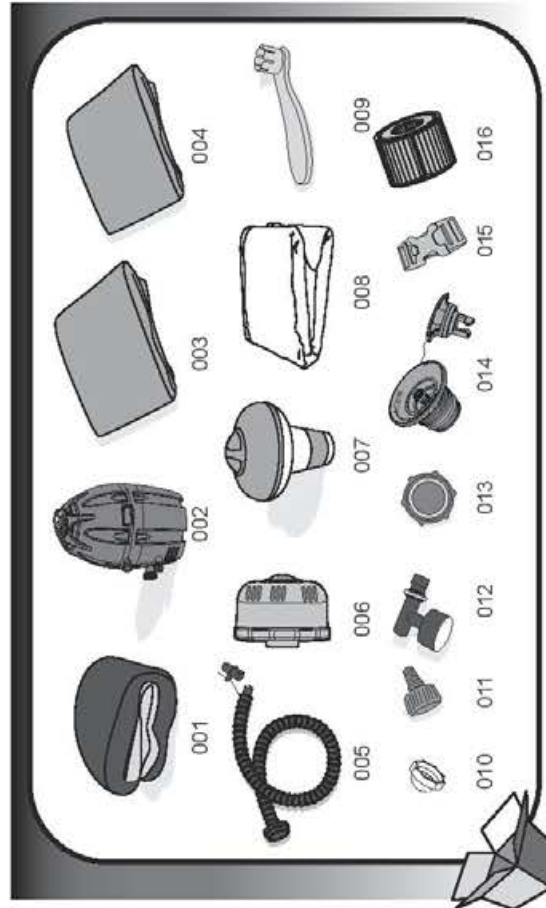


Part N.	Part Code	Description	QTY
001	54123TASS17	Pool liner	1
002	P4H054ASS17	Spa Heater	1
003	P5C364ASS17	Top Reinforce Cover	1
004	54123GASS17	Inflatable Cover	1
005	P6931	Inflation Hose	1
006	P6653	Filter Set	1
007	58426S17	Chemical Floater	1
008	P6575	Stoppers	2
009	P6932	Hose Adapter	1
010	F4024ASS	Screw Valve	1
011	P6611	Cover Adapter A	1
012	F6414ASS	Buckle	6
013	58323	Filter Cartridge (VI)	2

### SPECIFICATIONS FOR LAY-Z-SPA™ PALM SPRINGS AirJet (#54129)

Capacity:	4-6 Adults	Massaging Turbo Blower:	800W	Increased Heat Rate:	Approximately 1.5-2°C/h (3-4°F/h)
Water Capacity (80%):	916 L (242 gal)	Heat Element:	2,000W at 20°C	Actual Water Flow:	1,325 L/h (350 gal/h)
Inflated Size:	1,96m x 71cm (7'7" x 28")	Pump:	50W Circulation Filter Pump	Power Rate:	220-240V AC, 2,050W at 20°C
Filled Weight:	954 kg (2,103 Lb)	Temperature Capacities:	40°C (104°F)	Working Pressure:	1.2PSI (0.08Bar)

**NOTE:** The above heating rate is based on a lab test conducted with an ambient temperature of 25°C (77°F) and above.

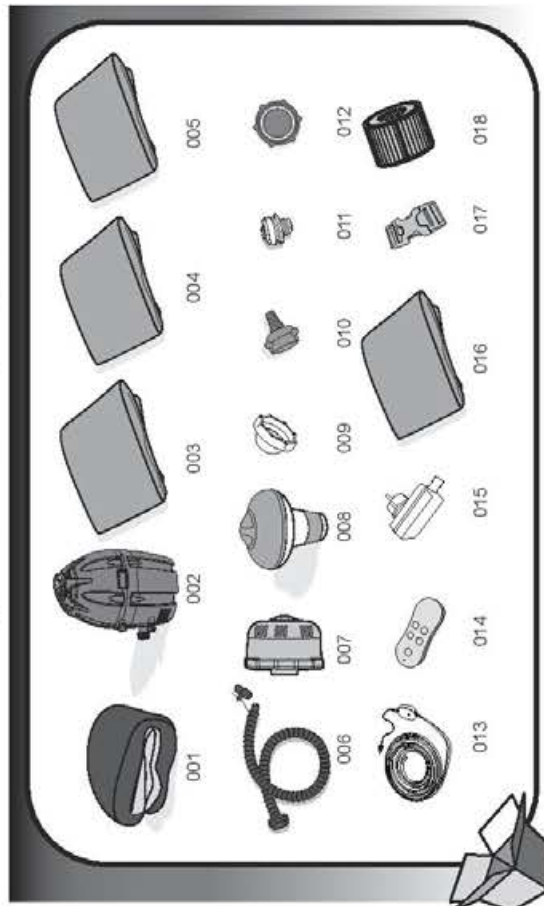


Part N.	Part Code	Description	QTY
001	54129TASS17	Pool liner	1
002	P4E079ASS17	Spa Heater	1
003	P5B401ASS17	Top Leatheroid Cover	1
004	54129GASS17	Inflatable Cover	1
005	P6930	Inflation Hose	1
006	P6653	Filter Set	1
007	58426S17	Chemical Floater	1
008	58321(H)S15	Ground Mat	1
009	F6H189ASS15	Wrench	1
010	P6575	Stoppers	2
011	P6H565	Hose Adapter	1
012	P6T199	Pressure Gauge	1
013	P6611	Cover Adapter A	1
014	P6H971	Inflation Valve	1
015	F6414ASS	Buckle	6
016	58323	Filter Cartridge (VI)	2

### SPECIFICATIONS FOR LAY-Z-SPA™ PARIS AirJet (#54148)

Capacity:	4-6 Adults	Massaging Turbo Blower:	800W	Increased Heat Rate:	Approximately 1.5-2°C/h (3-4°F/h)
Water Capacity (80%):	806 L (213 gal)	Heat Element:	2,000W at 20°C	Actual Water Flow:	1,325 L/h (350 gal/h)
Inflated Size:	1.96m x 66cm (77" x 26")	Pump:	50W Circulation Filter Pump	Power Rate:	220-240V AC, 2,050W at 20°C
Filled Weight:	840 kg (1,851 Lb)	Temperature Capacities:	40°C (104°F)	Working Pressure:	0.9PSI (0.055Bar)

**NOTE:** The above heating rate is based on a lab test conducted with an ambient temperature of 25°C (77°F) and above.

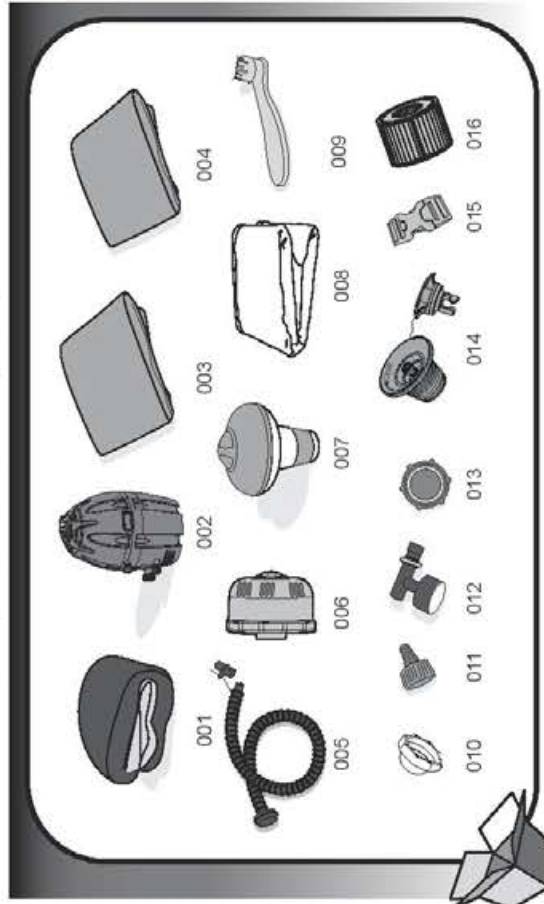


Part N.	Part Code	Description	QTY
001	54148TASS16	Pool liner	1
002	P4H054AASS17	Spa Heater	1
003	P5H284GASS17	Top Leatheroid Cover	1
004	P5H513TASS17	Liner Leatheroid Cover	1
005	54148GASS16	Inflatable Cover	1
006	P6931	Inflation Hose	1
007	P6653	Filter Set	1
008	58426S17	Chemical Floater	1
009	P6575	Stoppers	2
010	P6932	Hose Adapter	1
011	F4A024AASS	Screw Valve	1
012	P6611	Cover Adapter A	1
013	P61670	LED Strip	1
014	P61232	Remote Control	1
015	P61671	Transformer	1
016	58321(H)S15	Ground Mat	1
017	F6414AASS	Buckle	8
018	58323	Filter Cartridge (VI)	2

### SPECIFICATIONS FOR LAY-Z-SPA™ Hawaii AirJet (#54154)

Capacity:	4-6 Adults	Massaging Turbo Blower:	800W	Increased Heat Rate:	Approximately 1.5-2°C/h (3-4°F/h)
Water Capacity (80%):	840 L (222 gal.)	Heat Element:	2,000W at 20°C	Actual Water Flow:	1,325 L/h (350 gal/h)
Inflated Size:	1.80m x 1.80m x 71cm (71" x 71" x 28")	Pump:	50W Circulation Filter Pump	Power Rate:	220-240V AC, 2,050W at 20°C
Filled Weight:	879 kg (1,938 Lb)	Temperature Capacities:	40°C (104°F)	Working Pressure:	1.2PSI (0.08Bar)

**NOTE:** The above heating rate is based on a lab test conducted with an ambient temperature of 25°C (77°F) and above.

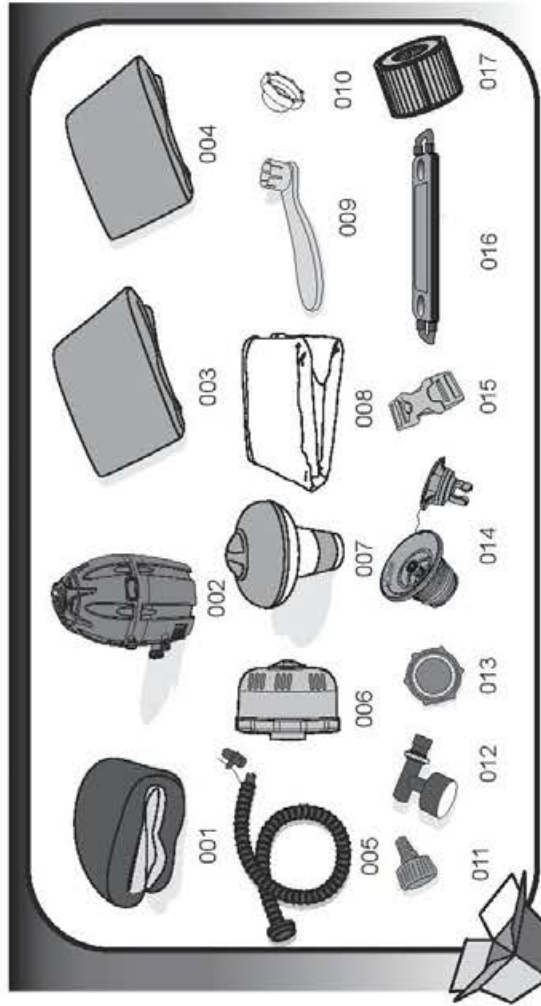


Part N.	Part Code	Description	QTY
001	54154TASS17	Pool liner	1
002	P4D148AASS17	Spa Heater	1
003	P5D588GASS17	Top Leatheroid Cover	1
004	54138GASS17	Inflatable Cover	1
005	P6930	Inflation Hose	1
006	P6653	Filter Set	1
007	58426S17	Chemical Floater	1
008	58371(H)S15	Ground Mat	1
009	F6H189AASS15	Wrench	1
010	P6575	Stoppers	2
011	P6H565	Hose Adapter	1
012	P61199	Pressure Gauge	1
013	P6611	Cover Adapter A	1
014	P6H971	Inflation Valve	1
015	F6414AASS	Buckle	8
016	58323	Filter Cartridge (VI)	2

## SPECIFICATIONS FOR LAY-Z-SPA™ Siena AirJet (#54156)

Capacity:	2 Adults	Massaging Turbo Blower:	800W	Increased Heat Rate:	Approximately 2.2°F/Ch (3.5-4.5°F/Ch)
Water Capacity (80%):	509 L (134 gal.)	Heat Element:	2,000W at 20°C	Actual Water Flow:	1,325 L/h (350 gal/h)
Inflated Size:	2.49m x 1.49m x 66cm (98" x 59" x 26")	Pump:	50W Circulation Filter Pump	Power Rate:	220-240V AC, 2,050W at 20°C
Filled Weight:	548 kg (1,205 Lb)	Temperature Capacities:	40°C (104°F)	Working Pressure:	1.2PSI (0.08Bar)

**NOTE:** The above heating rate is based on a lab test conducted with an ambient temperature of 25°C (77°F) and above.



Part N.	Part Code	Description	QTY
001	54156TASS17	Pool liner	1
002	P4H054ASS17	Spa Heater	1
003	P5694ASS17	Top Leatheroid Cover	1
004	54156GASS17	Inflatable Cover	1
005	P6930	Inflation Hose	1
006	P6653	Filter Set	1
007	58426S17	Chemical Floater	1
008	P5696	Ground Mat	1
009	F6H189ASS15	Wrench	1
010	P6675	Stoppers	2
011	P6H565	Hose Adapter	1
012	P61199	Pressure Gauge	1
013	P6611	Cover Adapter A	1
014	P6H971	Inflation Valve	1
015	F6414ASS	Buckle	8
016	P5595	Beverage Table	1
017	58323	Filter Cartridge (VI)	2

## INSTALLATION

### Selected Location

**WARNING:** The selected location has to be able to support of supporting the expected load.

**WARNING:** An adequate drainage system has to be provided to deal with overflow water for both indoor and outdoor installations.

**IMPORTANT:** Because of the combined weight of the Lay-Z-Spa, water, and users, it is extremely important that the base where the Lay-Z-Spa is installed is smooth, flat, level and capable of uniformly supporting the weight for the entire time the Lay-Z-Spa is installed (not on the carpet or other similar material). If the Lay-Z-Spa is placed on a surface, which does not meet these requirements, any damage caused by improper support is not covered under the manufacturer's warranty. It is the responsibility of the Lay-Z-Spa owner to assure the integrity of the site at all times.

### 1. Indoor Installation:

**Be aware of special requirements if you install the spa indoors.**

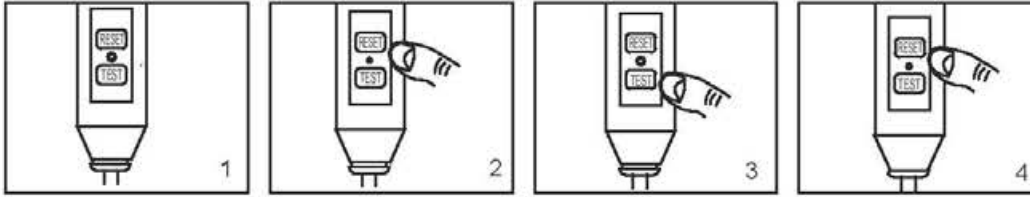
- Humidity is a natural side effect with Lay-Z-Spa installation. Determine the effects of airborne moisture on exposed wood, paper, etc. in the proposed location. To minimize these effects it is best to provide plenty of ventilation to the selected area. An architect can help determine if more ventilation is needed.

### 2. Outdoor Installation:

- During filling, draining or when in use, water may flow out of the spa. Therefore the Lay-Z-Spa should be installed near a floor drain.
- Do not leave the spa's surface exposed to direct sunlight for long periods of time.



## PRCD Test



**NOTE:** Drawings for illustration purpose only. May not reflect actual product. Not to scale.

1. Insert the plug.
2. Press the "RESET" button, the indicator light turns on.
3. Press the "TEST" button, the indicator light turns off.
4. Press the "RESET" button, the indicator light turns on.
5. Press the "On/Off" button for 2 seconds, your pump is ready to use.

**WARNING:** The PRCD plug must be tested before each use to avoid risk of electric shock.

**WARNING:** Before inserting plug into a power outlet, make sure the current rate of the power outlet is suitable for the pump.

**WARNING:** Do not use the pump if this test fails and contact our Aftersales Service.



**NOTE:** When inflating, you will notice that air will be expelled from the area where the air hose connects to the pump, this is normal for technique requirements.

**NOTE:** Do not use an air compressor to inflate the pool.

**NOTE:** Do not drag the pool on rough ground as this may cause damage to the pool liner.

**NOTE:** Inflation time for reference only.

**NOTE:** Pressure gauge is for inflation purpose only, and the value of the pressure gauge is just for reference, should not be used as a precision instrument.

### Air Valve Check (for spa with quick inflation/deflation valve)

Always check the air valve carefully before inflation to ensure there is not an air leak. If the air valve is loose, use the provided wrench to fasten the air valve following these steps:

With one hand, hold the backside of the air valve from the inner side of the spa wall and turn the wrench clockwise.

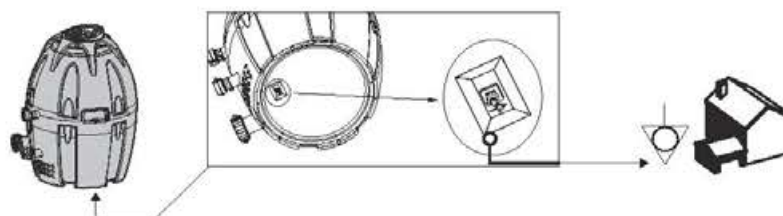
**NOTE:**

1. Do not over tighten.
2. Do not adjust the air valve connector when the spa is in use.

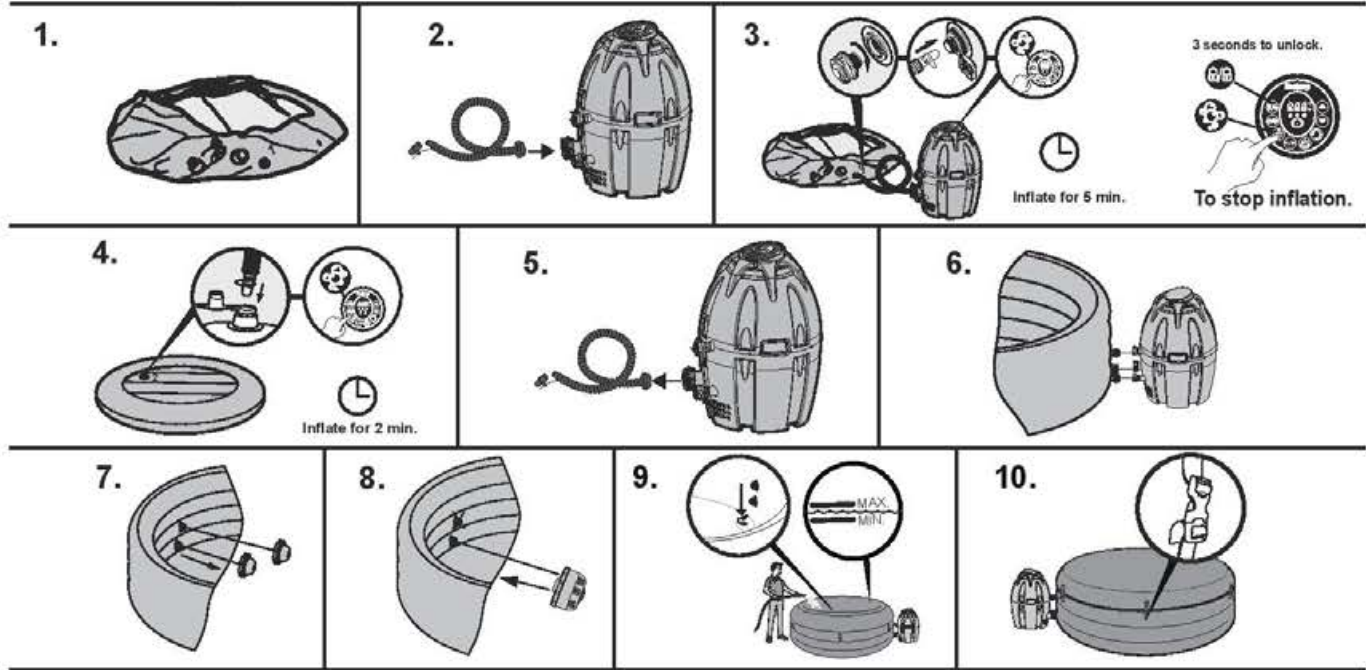


### SPA PUMP EQUIPOTENTIAL BONDING TERMINAL

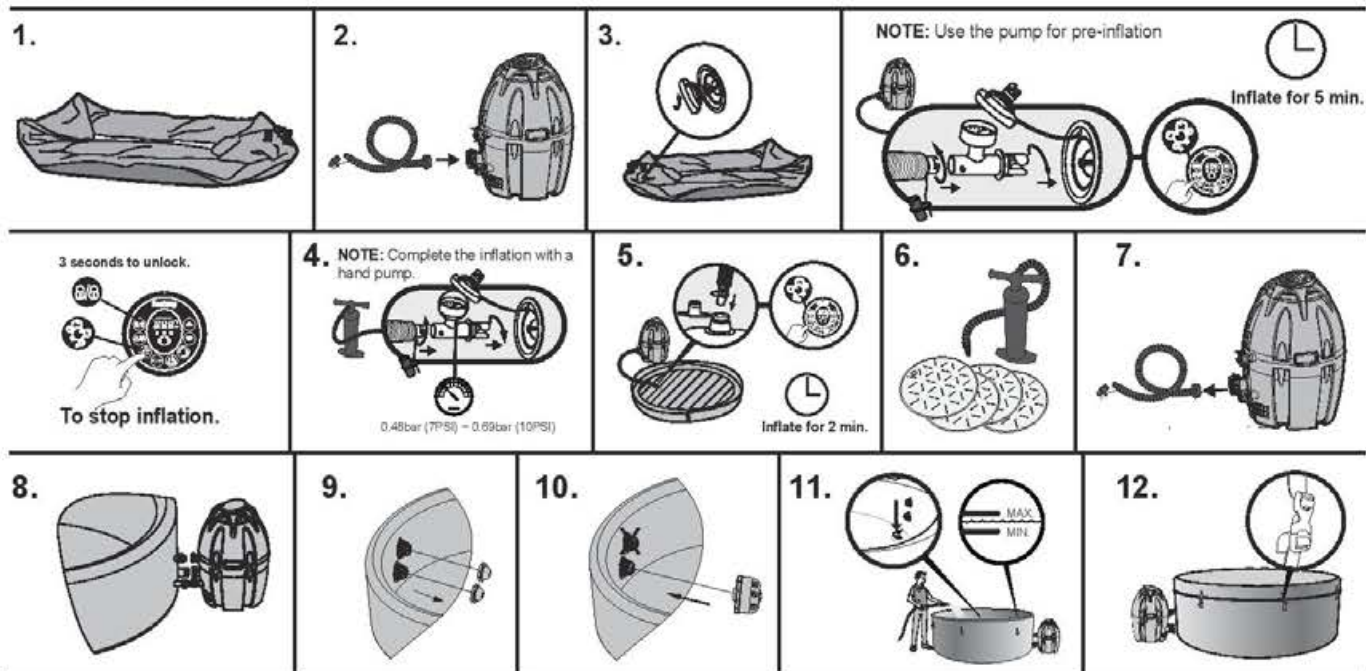
It is recommended to arrange for a qualified electrician to connect the spa pump to an equipotential bonding terminal using a minimum 2.5mm<sup>2</sup> solid copper conductor.



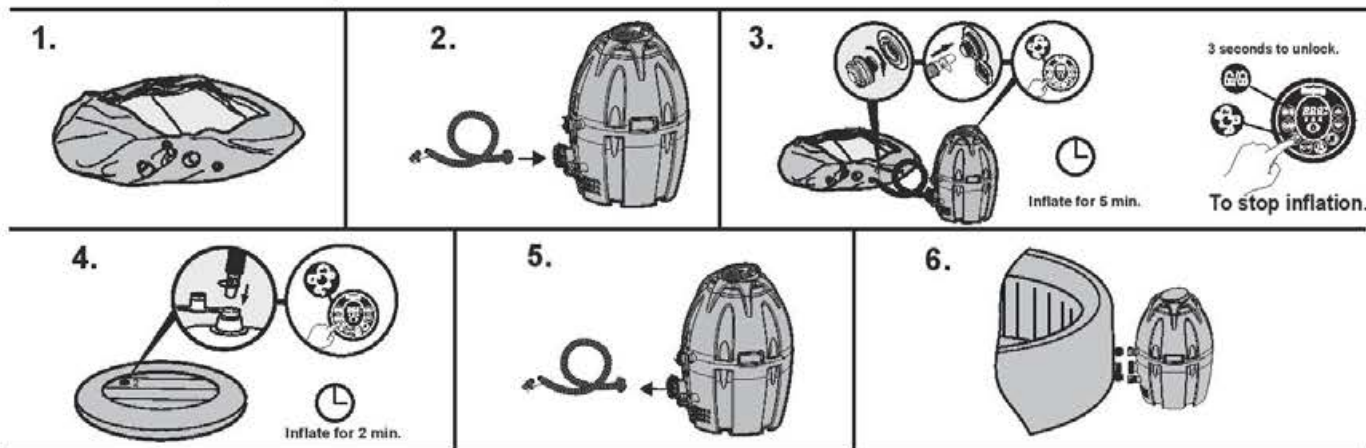
**VEGAS AirJet (#54112)**

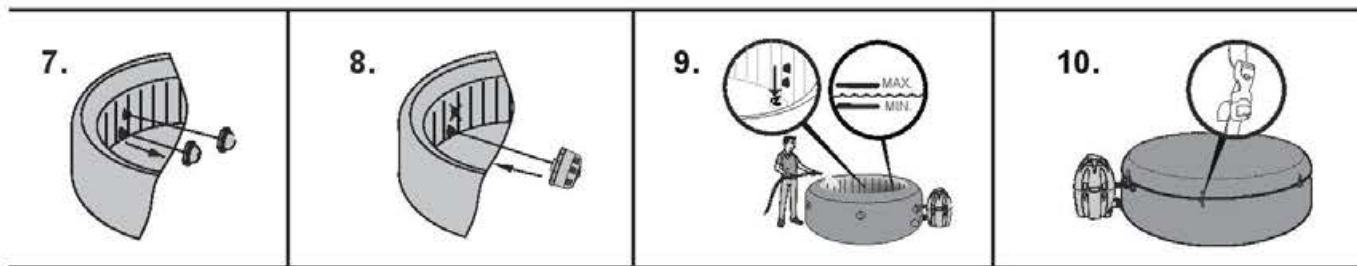


**MONACO AirJet (#54113)**

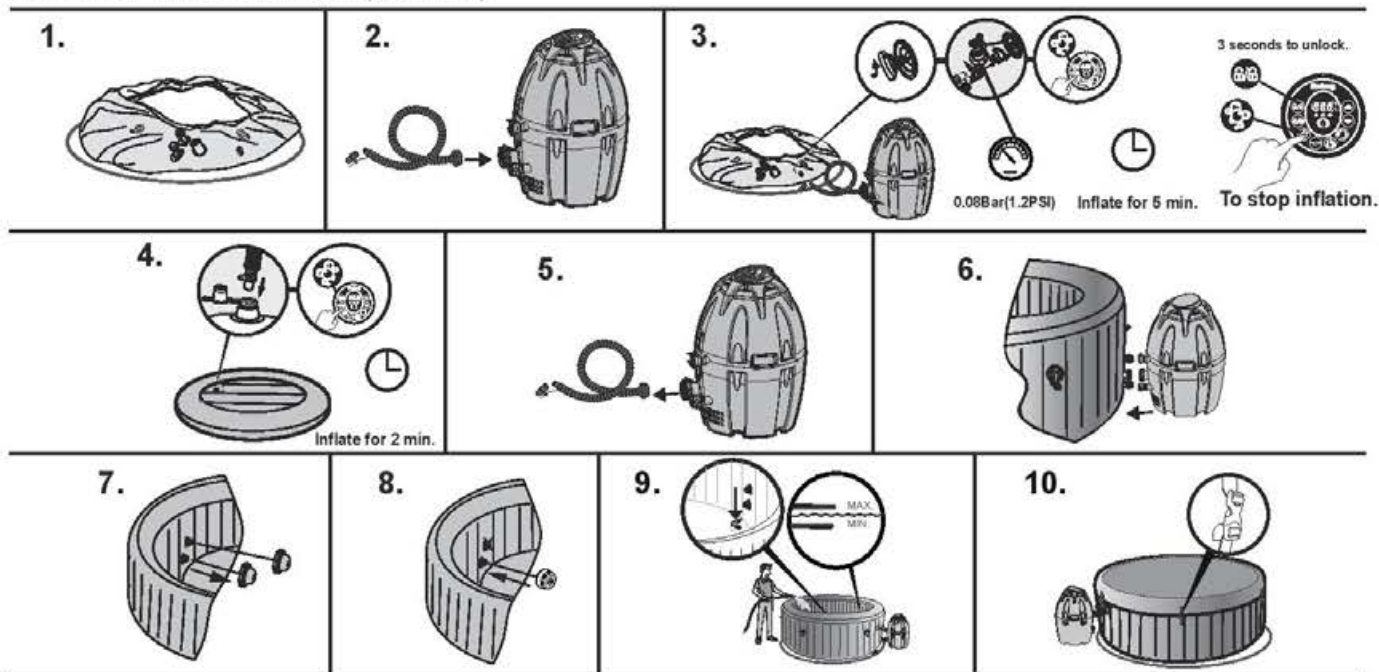


**MIAMI AirJet (#54123)**

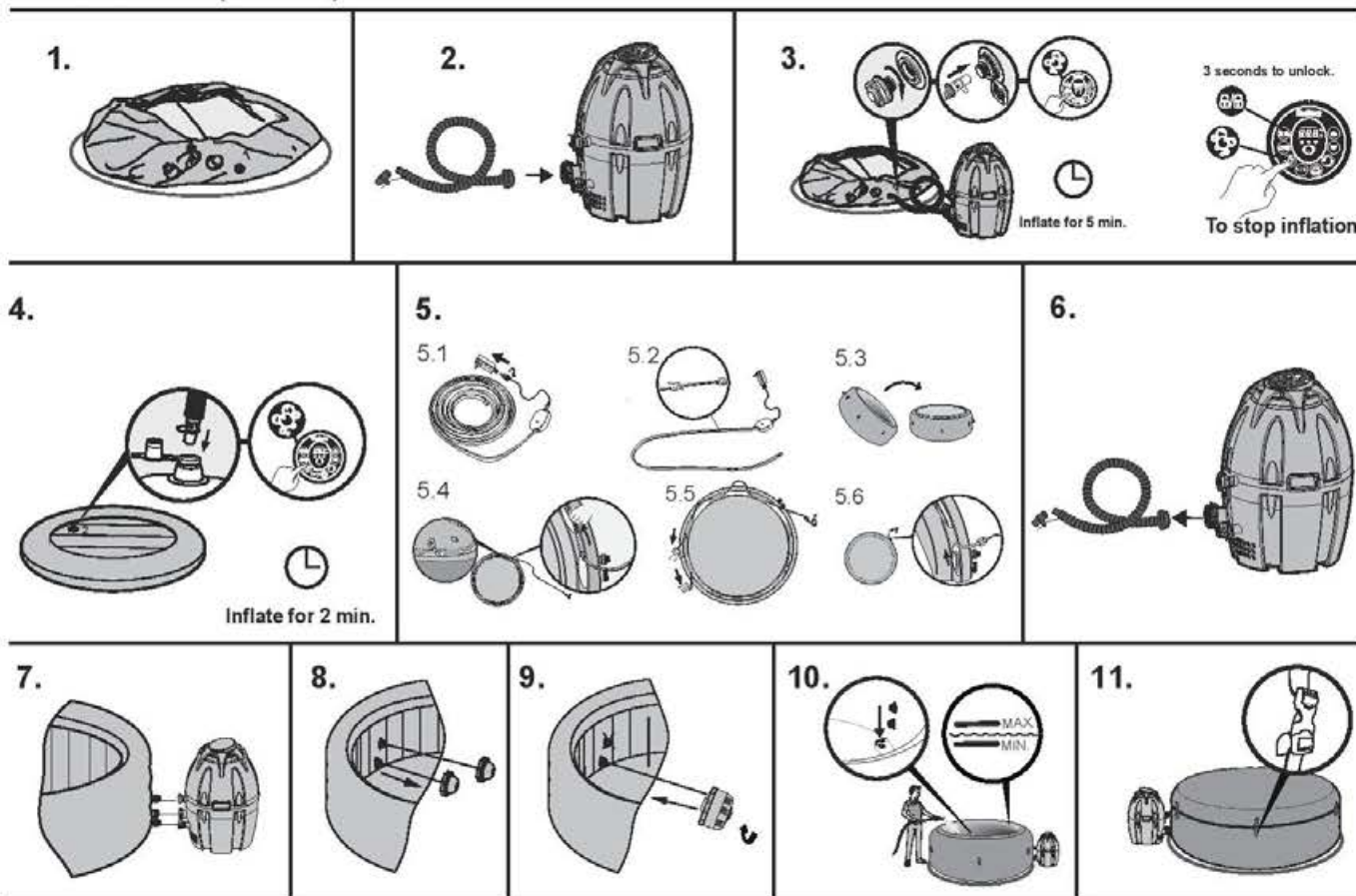




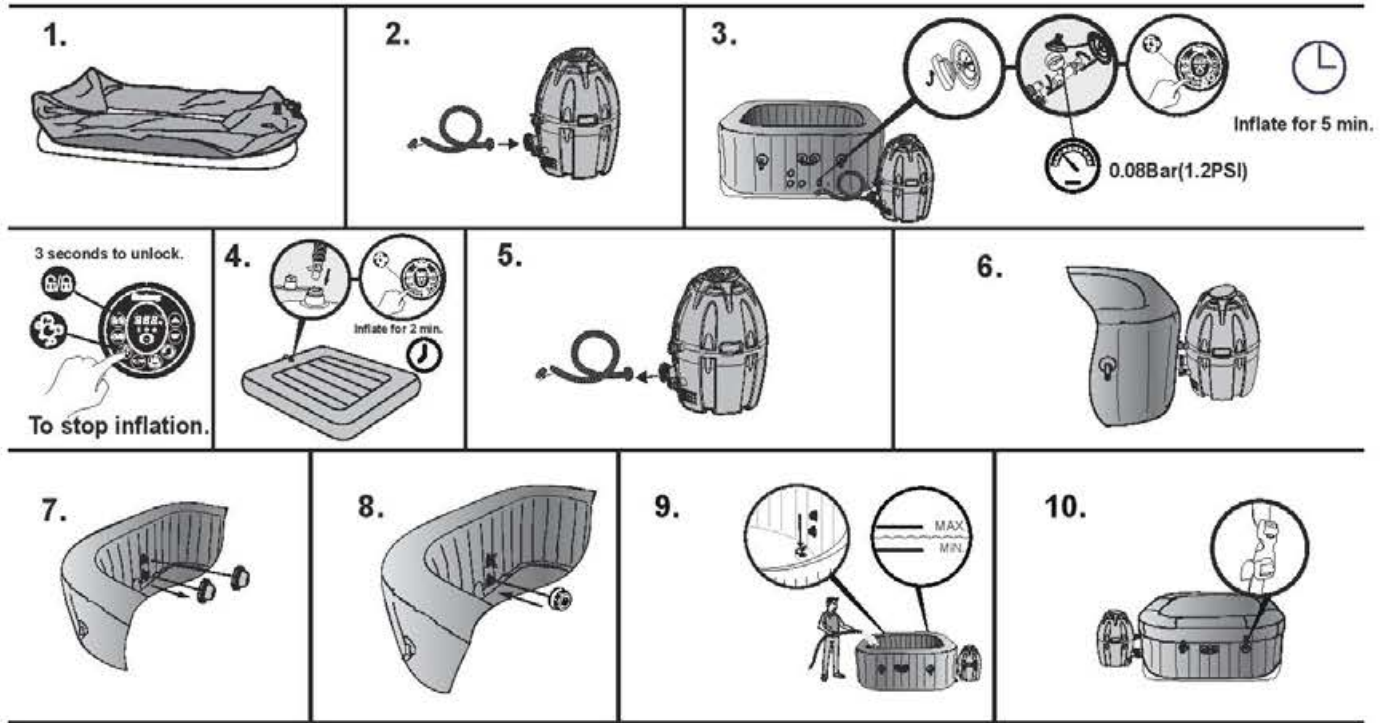
**PALM SPRINGS AirJet (#54129)**



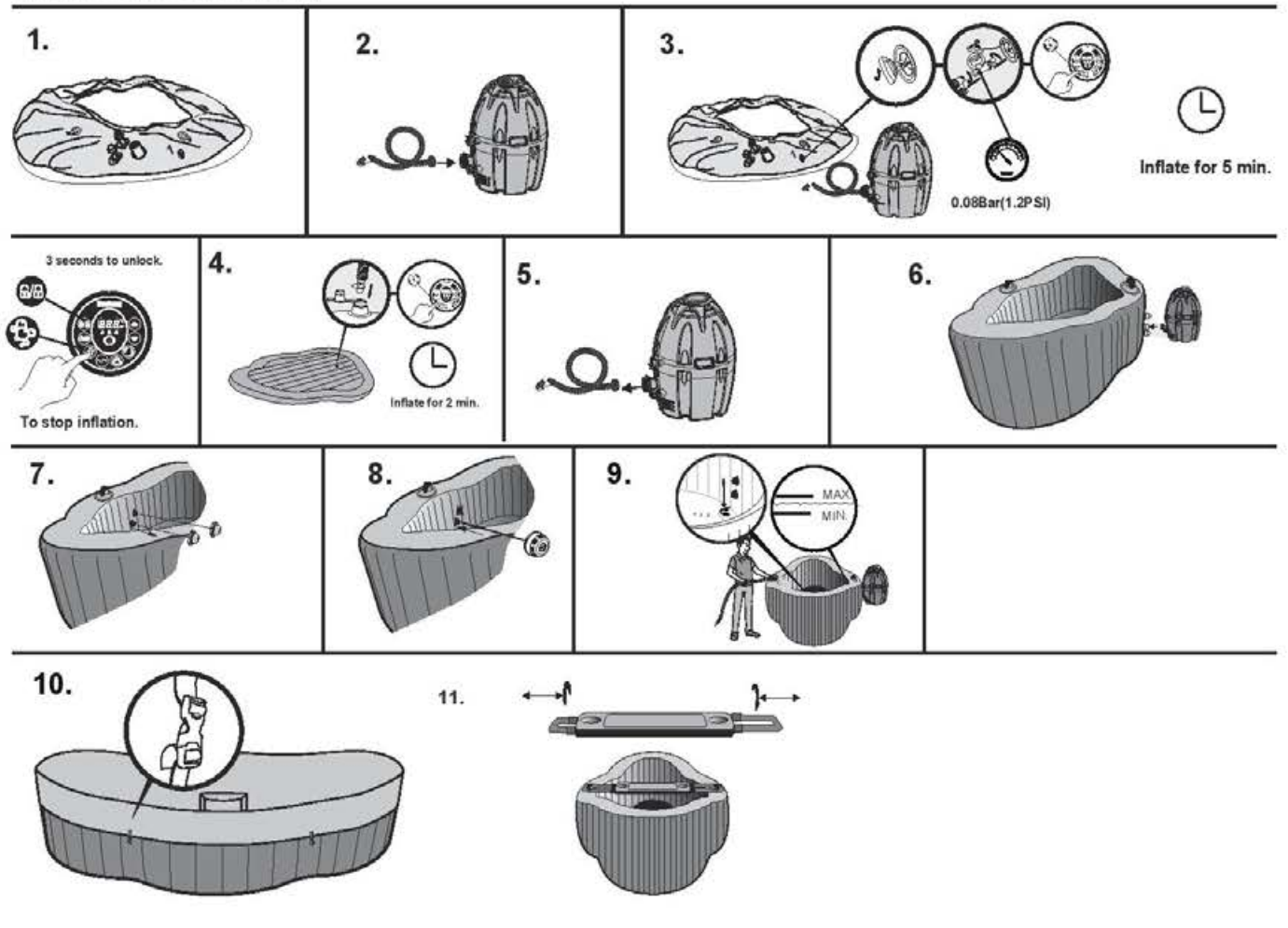
**PARIS AirJet (#54148)**



## HAWAII AirJet (#54154)



## SIENA AirJet (#54156)



## PUMP OPERATION

### Heating Reset

When using the Lay-Z-Spa for first time, or after a long period of inactivity, be sure to press the reset button on the pump using a small and thin object.

### RESET BUTTON

#### IMPORTANT INSTRUCTIONS FOR USING

If the temperature on the control panel (or the water temperature) has not changed 4-5 hours after activation of the heating system, use a thin object to press the RESET BUTTON, and restart the heating system.

**IMPORTANT:** The heating System will not operate if the outside temperature is above 40°C (104 °F) or if the Lay-Z-Spa is under direct sunlight. Under these conditions, please wait until a cooler time of day before pressing the RESET BUTTON with a thin object and restart the heating System.



### A Lock/Unlock Button

The pump has a 5-minute auto-lock. The LED light will dim out when the pump is locked (no function is activated). To lock or unlock the pump, place a finger over the lock/unlock button for 3 seconds.

### B Power-Saving Timer Button

This is a newly added function, designed to help avoid wasting power by setting the time and duration of the heating cycle for the spa. This way, you can enjoy your spa at the time you desire, without needing to leave the heater on at all times.

#### STEP 1: Set the heating duration

1. Press the button until the LED starts to flash.
2. Press the or button to adjust the heating duration (From 1-48 hours).
3. Press the button again to confirm the heating duration.

#### STEP 2: Set the number of hours FROM NOW when the heater will activate

1. After setting the heating duration, the LED starts to flash.
2. Press the or button to adjust the hours until time of activation (From 0-99 hours).
3. Press button again or simply touch nothing for 10 seconds to confirm the setting. The LED will light steadily, and the countdown to heater activation will begin.

**To modify the timer settings:** Press the button and use the or button to adjust.

**Cancel the setting:** Press the button for 2 seconds.

**NOTE:** After setting, the screen flashes the current temperature and time alternately.

**NOTE:** Timer adjustment (amount of time with the heater ON) may be set from 1 to 48 hours; Reservation time adjustment (the number of hours FROM NOW when the heater will begin to function) may be set from 0 to 99 hours. If the timer is set at 0 hour, the heating system will activate immediately.

Note that the timer is one time per use - the user sets the duration of the heating cycle, and how many hours from now the heating cycle begins. The timer does NOT repeat until reset.

### C Lay-Z-Massage System Button

Use this button to activate the massage system, which has a 30-minute auto-shutoff feature. The light above the Lay-Z-Massage System Button displays red when activated.

**IMPORTANT:** Do not run the Lay-Z-Massage system when the cover is attached. Air can accumulate inside the spa and cause irreparable damage and bodily harm.

**NOTE:** Heat and massage system work together to create a warm massage experience.



### D Celsius/Fahrenheit Toggle

The temperature can be displayed in either Fahrenheit or Celsius.

### E Heat Button

Use this button to activate the heating system. When the light above the heat button is red, the heating system is activated. When the light is green, the water is at the set temperature and the heating system is at rest.

**NOTE:** If the heating system is activated the filtration system will automatically start.

**NOTE:** After turning off the heating system the filtration system will continue to operate.

### F Water Filter Button

This button turns the filter pump on and off. The light above the Water Filter Button displays red when activated.

### G Temperature Adjustment Buttons

Pressing the Temperature Increase or Decrease buttons will cause the LED to flash. When it is flashing you can adjust to the desired temperature setting. If you hold these buttons down the values will rapidly increase or decrease. The new and desired temperature setting will remain on the LED display for 3 seconds to confirm the new value.

**NOTE:** The default temperature is 35°C (95°F).

**NOTE:** Temperature adjustment ranges from 20°C (68°F) to 40°C (104°F).

### H On/Off Button

Press this button for 2 seconds to active the control panel buttons and the light turns to green. Press this button for 2 seconds to turn off all currently activated functions.

### I Power-Saving Timer LED

This LED flashing means you are setting the heating duration. The light will be on when the heating function starts to work.

This LED flashing means you are setting the number of hours FROM NOW when the heater will activate. When the light is on, the Power-Saving Timer function is set.

### J LED Display

Once powered-up the LED displays the current water temperature automatically. After 72 hours of filtration (without using the power saving timer function), the pump will hibernate and flash "End" with the current water temperature. When the pump is hibernating both the heating and water filter functions are disabled. To re-activate the pump press lock/unlock button for 3 seconds.

**NOTE:** The water heat rate may change in the conditions below:

- When the outdoor temperature is below 15°C (59°F).
- If the cover is not in position when the heating function is activated.

**NOTE:** To display the current water temperature, run the filter system for at least a minute. The water temperature as tested by an external thermometer may vary from the temperature as displayed on the spa panel by as much as approximately 2°C.

## Alarms

Causes	Reasons	Solutions	
E01	The water flow sensors work without pressing the filter or heat button.	<ol style="list-style-type: none"> <li>1. The water flow sensor flags didn't fall back into the correct position</li> <li>2. The water flow sensors are broken</li> </ol>	<ol style="list-style-type: none"> <li>1. Unplug the plug gently, strike the side of the pump but not violently, and plug it back in</li> <li>2. Contact your local Bestway After Sales service point to get instructions</li> </ol>
E02	After starting or during the functions of filtering or/and heating, the water flow sensors do not detect water flow.	<ol style="list-style-type: none"> <li>1. You forget to remove the 2 stopper caps from inside the pool</li> <li>2. Filter cartridges are dirty</li> <li>3. Activate the filter or heat system and put your hand in front of the outlet pipe inside the pool to check if you can feel water flowing out                             <ol style="list-style-type: none"> <li>a. If no water flows out the water pump is broken</li> <li>b. Water flows out but the alarm  appears, the water flow sensors are broken</li> </ol> </li> </ol>	<ol style="list-style-type: none"> <li>1. Remove the 2 stopper caps before heating, refer to Assembly section in the User's Manual</li> <li>2. Remove the filter set from inside the pool and push the filter or heat button. If no alarm appears, clean or change the filter cartridges install the filter set inside the pool.</li> <li>3. Contact your local Bestway After Sales service point to get instructions</li> </ol>
E03	The pump's thermometer reads the water temperature below 4°C (40°F).	<ol style="list-style-type: none"> <li>1. The water temperature is lower than 4°C (40°F)</li> <li>2. If the water temperature is higher than 7°C (44.6°F), the pump's thermometer is broken</li> </ol>	<ol style="list-style-type: none"> <li>1. The spa is not designed to operate with water temperatures lower than 4°C (40°F). Unplug the pump and only re-start the pump when the water temperature reaches 8°C (43°F)</li> <li>2. Contact your local Bestway After Sales service point to get instructions</li> </ol>
E04	The pump's thermometer reads the water temperature over 50°C (122°F).	<ol style="list-style-type: none"> <li>1. The water temperature is over 50°C (122°F)</li> <li>2. If the water temperature is lower than 45°C (113°F), the pump's thermometer is broken</li> </ol>	<ol style="list-style-type: none"> <li>1. The spa is not designed to operate with water temperatures greater than 40°C (104°F). Unplug the pump and only re-start the pump when the water temperature reaches 38°C (100°F) or lower</li> <li><b>IMPORTANT:</b> Before you re-start the pump, push the pump's reset button</li> <li>2. Contact your local Bestway After Sales service point to get instructions</li> </ol>
E05	The pump's thermometer connections have issues.	<ol style="list-style-type: none"> <li>1. The pump's thermometer connectors don't work properly</li> <li>2. The pump's thermometer is broken</li> </ol>	Contact your local Bestway After Sales service point to get instructions
E08	The manual reset thermal cut-out has problem.	The manual reset thermal cut-out trips off	<ol style="list-style-type: none"> <li>1. Unplug the pump and push the reset button, then plug the pump back in.</li> <li>2. In case the alarm still remains, check the RESET BUTTON section in manual</li> <li>3. Contact your local Bestway After Sales service point to get instructions</li> </ol>

## MAINTENANCE

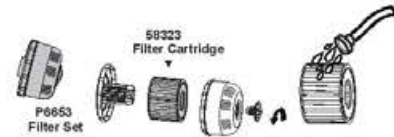
**NOTE: Your spa will require additional air to be added from time to time. Changes in temperature from day to night will change the pressure in the spa and may cause a certain amount of deflation. Please follow the Assembly instructions and drain the spa before inflating to the accurate pressure needed.**

**CAUTION: YOU MUST ENSURE THE PUMP IS UNPLUGGED BEFORE BEGINNING SPA MAINTENANCE TO AVOID RISK OF INJURY OR DEATH.**

### Filter Cartridge Maintenance

**NOTE:** To ensure your spa water stays clean, check and clean your filter cartridges every day follow the steps below.

**NOTE:** We recommend changing your filter cartridges every week or, if the filter cartridges remain soiled and discolored, they should be replaced.



### Water Maintenance

Keeping your spa water clean and chemically balanced is necessary. Simply cleaning the filter cartridge is not enough for proper maintenance, we recommend you use pool chemicals to maintain water chemistry and chlorine or bromine tablets (do not use granules) with the chemical floater.

As a guide, the water should be changed about every 3 days. This is only a guide, water quality is influenced by frequency of use, persons using the spa and general maintenance.

**Note:** We recommend you take a shower before using your Lay-Z-Spa, as cosmetic products, lotions, and other residues on the skin can quickly degrade water quality. To use the chemical floater, please follow the below instruction.

Using chemical tablets (not included):



Using chemical liquid (not included):



**NOTE:** Remove the chemical floater from spa when the spa is in use.

**IMPORTANT:** After performing chemical maintenance and before using the spa, use a test kit (not included) to test the water chemistry. We recommend maintaining your water as table below.

pH	Total Alkalinity	Free Chlorine
7.4-7.6	80-120 ppm	2-4 ppm

**NOTE:** Damage resulting from chemical imbalance is not covered by the warranty. Pool chemicals are potentially toxic and should be handled with care. There are serious health risks from chemical vapors and the incorrect labeling and storage of chemical containers. Please consult your local pool supply retailer for more information about chemical maintenance. Pay close attention to the chemical manufacturer's instructions. Spa damage resulting from misuse of chemicals and mismanagement of spa water is not covered by the warranty.

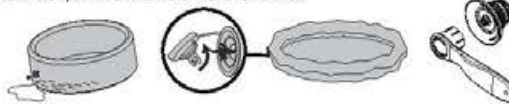
### Air-Valve Adjustment (For #54113 #54129 #54154 #54156 Only)

In case of air leakage, check the air-valve first. Using soapy water, cover the air-valve to check if air is leaking, if so, use the provided wrench to fasten the air-valve following these steps:

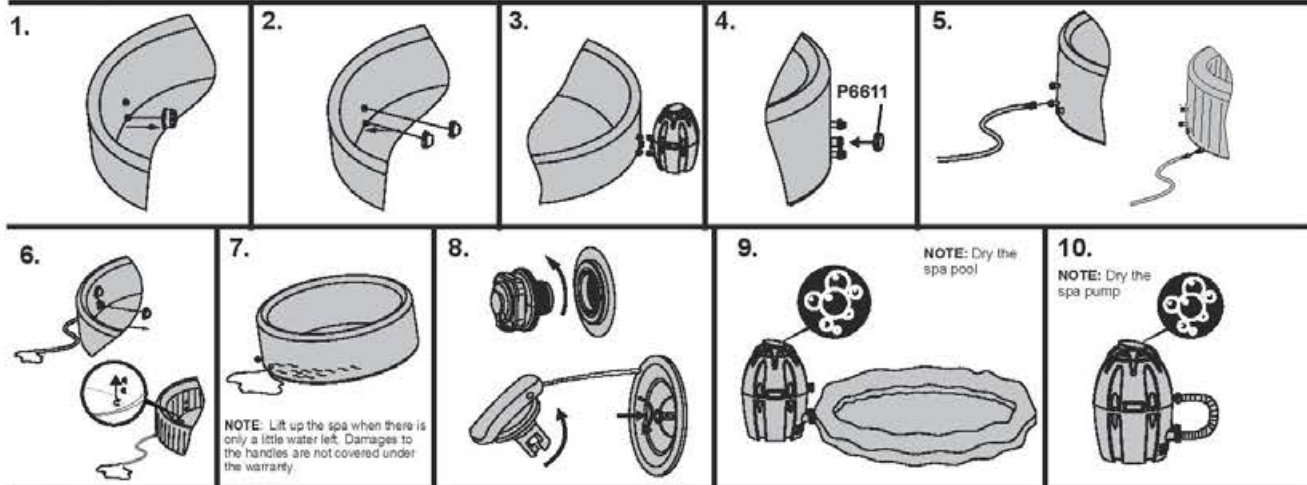
• With one hand, hold the backside of the air-valve from the inner side of the spa wall and turn the wrench clockwise.

#### NOTE:

1. Do not over tighten.
2. Always check the air-valve carefully before use.
3. Do not adjust the air-valve connector when the spa is in use.



## Draining the Spa



**Cleaning the spa** Detergent residues and dissolved solids from bathing suits and chemicals may build up on the spa walls. Use soap and water to clean the walls and rinse thoroughly.

**NOTE: DO NOT use hard brushes or abrasive cleaners.**

### Spa Repair

For Spa #54112, #54123, #54148 and inflatable cover.

If the spa is torn or punctured, use the provided heavy-duty repair patch.

1. Clean area to be repaired.
2. Carefully peel patch.
3. Press patch over area to be repaired.
4. Wait 30 seconds before inflation.

For Spa #54113, #54129, #54154, #54156 (Not including inflatable cover)

If the spa is torn or punctured, use the provided PVC repair patch and glue (not included) following these steps:

1. Clean and dry area to be repaired.
2. Cut the provided PVC patch to appropriate size.
3. Use glue (not included) to coat the one side of the newly cut patch. Make sure the glue is evenly distributed.
4. Wait for 30 seconds and then place the cut patch with glue over the damaged area.
5. Smooth out any bubbles of air that may be trapped underneath, and press firmly for two minutes.
6. The product is once again ready for use. Repeat this process should further leaks occur.
7. Wait 30 minutes before inflation.

## Lay-Z-Spa Storage

Make sure the spa and pump are completely dry. This is essential to extend the life of the spa. We recommend using the pump to blow dry the spa, pump and pipes. Remove the filter sets and discard the used filter cartridges. Re-attach the two stopper caps onto the spa's inlet and outlet valves. It is recommended you store the spa in its original package in a warm dry place.



**NOTE:** Plastic becomes brittle and susceptible to breaking when exposed to subzero temperatures. Freezing can severely damage the spa. Improper winterization of your spa can void your warranty.

### Disposal



Meaning of crossed-out wheeled dustbin symbol: Do not dispose of electrical appliances as unsorted municipal waste, use separate collection facilities. Contact your local government for information regarding the collection systems available. If electrical appliances are disposed of in landfills or dumps, hazardous substances can leak into the groundwater and get into the food chain, damaging your health and well-being. When replacing old appliances with new ones, the retailer is legally obligated to take back your old appliance for disposals at least free of charge.

**TROUBLESHOOTING** Bestway strives to provide the most trouble-free spas on the market. If you experience any problems whatsoever, do not hesitate to contact Bestway or your authorized dealer. Here are some helpful tips to help you to diagnose and rectify some common sources of trouble.

Problems	Probable Causes	Solutions
Pump does not operate	<ul style="list-style-type: none"> <li>- Power failure</li> <li>- Power circuits broken</li> </ul>	<ul style="list-style-type: none"> <li>- Check power source</li> <li>- Contact your local Bestway Aftersales Service Center for instructions</li> </ul>
Pump does not heat properly	<ul style="list-style-type: none"> <li>- Temperature set too low</li> <li>- Dirty Filter Cartridge</li> <li>- The thermal cut-out cut off</li> <li>- Spa is not covered</li> <li>- Heating element failed or fuse cutout</li> </ul>	<ul style="list-style-type: none"> <li>- Set to a higher temperature refer to section pump operation</li> <li>- Clean/replace the filter cartridge refer to section filter cartridge cleaning and replacement</li> <li>- Unplug the pump, and put the plug in a dry, cool place. Only restart the pump when the water temperature reaches 35°C (95°F) or lower</li> <li>- Attach the cover.</li> <li>- Contact your local Bestway After Sales service point to get instructions</li> </ul>
Lay-Z-Massage System does not work	<ul style="list-style-type: none"> <li>- Air Pump is overheating</li> <li>- The Lay-Z-Spa Massage stops automatically</li> <li>- Air pump is broken</li> </ul>	<ul style="list-style-type: none"> <li>- Unplug the pump and wait two hours until the pump has cooled. Insert the plug and press the Lay-Z-Massage System Button</li> <li>- Press the Lay-Z-Massage System Button to reactivate</li> <li>- Contact your local Bestway Aftersales Service Center for instructions</li> </ul>
Pump adapters are not level with the spa adapters	<ul style="list-style-type: none"> <li>- One characteristic of PVC is that it changes shape, which is normal</li> </ul>	<ul style="list-style-type: none"> <li>- Elevate the pump with wood or another type of insulated material to bring the pump's adapters level with the spa's adapters</li> </ul>
Spa pool leakage	<ul style="list-style-type: none"> <li>- Spa is torn or punctured</li> <li>- Air valve is loose</li> </ul>	<ul style="list-style-type: none"> <li>- Use provided repair patch</li> <li>- Using soapy water, cover the air-valve to check if air is leaking, if so, use the provided wrench to fasten the air-valve following these steps:               <ol style="list-style-type: none"> <li>1. Deflate the SPA</li> <li>2. With one hand, hold the backside of the air valve from the inner side of the spa wall and turn the wrench clockwise.</li> </ol> </li> </ul>
Water is not clean	<ul style="list-style-type: none"> <li>- Insufficient filtering time</li> <li>- Dirty Filter Cartridge</li> <li>- Improper water maintenance</li> </ul>	<ul style="list-style-type: none"> <li>- Increase filtration time</li> <li>- Clean/replace the Filter Cartridge (refer to Filter Cartridge Cleaning and Replacement section)</li> <li>- Refer to the chemical manufacturer's instructions</li> </ul>
PRCD test failed	Something wrong with the SPA	Contact your local Bestway Aftersales Service Center and return the SPA.
Control panel not working	<ul style="list-style-type: none"> <li>- The control panel has an auto-lock, which is activated after 5 minutes of inactivity. The LED display has one icon: . If the lock icon is highlighted, the control panel is locked.</li> <li>- Control panel is not activated.</li> </ul>	<ul style="list-style-type: none"> <li>- To unlock the control panel, press the  button for 3 seconds. If the control panel will not unlock, restart the pump – unplug and plug in the pump.</li> <li>- Press the on/off button for 2 seconds.</li> <li>- If the problem persists, please contact your local Bestway Aftersales Service Center for instructions.</li> </ul>
What kind of chemicals should be used for water maintenance?	Please consult your local chemical supplier for information about chemical maintenance. Pay close attention to the chemical manufacturer's instructions.	
Water leaks from the adapters between the pump and spa	Insert the stopper caps on to the spa's ports to prevent water from escaping and disconnect the pump. Check and make sure the seals are placed correctly inside the pump adapters. If the seals are missing or not installed correctly, please contact your local Bestway Aftersales Service Center for instructions. If the seals are correctly in place, reconnect the pump to the spa and hand-tighten the adapters.	

# Limited BESTWAY® Manufacturer's Warranty

The product you have purchased comes with a limited warranty. Bestway® stands behind our quality guarantee and assures, through areplacement warranty, your product will be free from manufacturer's defects.

To enact a warranty claim, this form must be completed and submitted with a copy of your receipt/purchase to your local Bestway After Sales Center. Please contact your local Bestway After Sales Center before sending any documents. They will provide full instructions of what is needed for your claim. Bestway® will not replace any products deemed to have been damaged due to negligence or having been used outside of the owner's manual guidelines.

Bestway's warranty covers manufacturing defects discovered while unpacking the product or during use as recommended within the user manual. This warranty applies only to product which have not been modified by any 3<sup>rd</sup> parties. The product must be stored and handled in accordance with the technical recommendations.

The warranty does not cover damages caused by misuse, abuse, neglect, including, but not limited to collision, fire, use of incorrect voltage, excessive heat exposure, improper installation, improper wiring or testing, improper storage.

Replacements and repairs don't extend the duration of the warranty. The warranty start date is the date of sale shown on the original receipt/purchase invoice.

Please choose your SPA



TO: Bestway® Service Department

Date of purchase: \_\_\_\_\_

Date: \_\_\_\_\_

Customer Code Number: \_\_\_\_\_

FAX/E-MAIL/TEL: Please refer to your country according to the information found on the back cover or on our website: [www.bestwaycorp.com](http://www.bestwaycorp.com)

Please provide your address details in full. **Note:** Incomplete address details will result in delayed shipments.

Bestway reserves the right to charge for redelivery of undelivered packages where the recipient is at fault.

## REQUIRED INFORMATION - PLEASE WRITE THE SHIPPING ADDRESS

Name: \_\_\_\_\_ Address: \_\_\_\_\_

Zip Code: \_\_\_\_\_ Retailer: \_\_\_\_\_

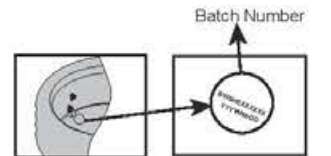
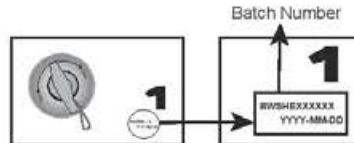
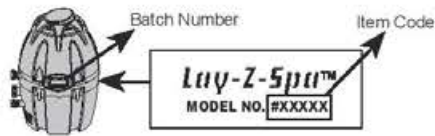
Country: \_\_\_\_\_ City: \_\_\_\_\_

Mobile: \_\_\_\_\_ Telephone: \_\_\_\_\_

Fax: \_\_\_\_\_ E-mail: \_\_\_\_\_

Spa Pump Batch Number: \_\_\_\_\_ Spa Pool Batch Number: \_\_\_\_\_

Spa Pump Item Code: \_\_\_\_\_



LAY-Z-SPA Vegas / Paris

All drawings for illustration purpose only. Not to scale.

### Description of Problem

- Spa leakage
- Water Filtration System not working
- Heating System not working
- Control panel shows a failure which cannot be solved
- Lay-Z-Massage System not working
- Pump leakage
- Adapter leakage
- Missing part - Please use the code for the missing part. This can be found in the owner's manual.
- Other (please describe) \_\_\_\_\_

IMPORTANT: ONLY THE DAMAGED PART WILL BE REPLACED, NOT THE COMPLETE SET.

Bestway reserves the right to request photographic evidence of defective parts, or to require sending the item for additional testing.

In order to best assist you, we request all information you provide to be complete.

FOR FAQ, MANUALS, VIDEOS OR SPARE PARTS, PLEASE VISIT OUR WEBSITE: [www.bestwaycorp.com](http://www.bestwaycorp.com).  
VIDEOS ARE ALSO AVAILABLE ON OUR BESTWAY CHANNEL ON YOU TUBE: [www.youtube.com/user/BestwayService](http://www.youtube.com/user/BestwayService)





# ÍNDICE

Visite o canal da Bestway no YouTube

<b>1. Instruções de Segurança ....</b> P17	<b>5. Manutenção .....</b> P29
<b>2. Especificações .....</b> P20	Manutenção do Cartucho de Filtro
<b>3. Instalação .....</b> P23	Manutenção da Água
Local Selecionado	Ajuste da Válvula de Ar
Teste da Bomba	Drenagem do Spa
	Limpeza do spa
	Reparação do Spa
	Armazenamento do Lay-Z-Spa
	Eliminação
<b>4. Funcionamento da Bomba ..</b> P28	<b>6. Resolução de problemas ..</b> P30
Reinício do Aquecimento	
Painel de Controlo	<b>7. Garantia .....</b> P31
Alarmes	



## INSTRUÇÕES DE SEGURANÇA

Quando instalar e utilizar este equipamento elétrico, deve seguir sempre as precauções básicas de segurança, incluindo as seguintes:

**INSTRUÇÕES DE SEGURANÇA IMPORTANTES - LEIA E SIGA TODAS AS INSTRUÇÕES.**

### AVISO:

- O spa deve ser alimentado através de um transformador isolante ou através de um dispositivo de corrente residual (RCD) com uma corrente residual de funcionamento que não exceda os 30mA.
- A bomba deve ser testada antes de cada utilização, para testar siga as instruções da bomba.
- Se o cabo de alimentação estiver danificado, este deve ser substituído pelo fabricante, agente de manutenção ou pessoas qualificadas similares de forma a evitar um risco.
- Para reduzir o risco de choque elétrico, não utilize extensões para ligar a unidade à fonte de alimentação; providencie uma tomada devidamente localizada.
- Nenhuma parte do aparelho deve ser colocada acima da banheira durante a utilização.
- Os componentes com peças com alimentação elétrica, exceto as peças com voltagem de segurança extra-baixa que não exceda os 12V, devem estar inacessíveis para quem esteja na piscina spa; As peças que incluem componentes elétricos, exceto os dispositivos de controlo remoto, devem estar localizados ou fixos de forma a que não possam cair para dentro da piscina spa.
- O spa deve ser alimentado por uma fonte de alimentação com ligação a terra.
- **Aviso: Mantenha a ficha sempre seca, ligar uma ficha molhada é completamente proibido!**
- É necessário ter a ficha acessível após a instalação do spa.

**CUIDADO:** De forma a evitar perigos devido a um reinício acidental do disjuntor térmico, este aparelho não deve ser alimentado através de um dispositivo de comutação externo, como um temporizador, ou ligado a um circuito que é regularmente ligado e desligado devida à utilização. Depois de utilizar o seu spa durante 3-5 anos, deve contactar o seu técnico de manutenção qualificado local para assegurar a segurança e o desempenho do spa. Os componentes principais, como o elemento aquecedor, o motor do ventilador de ar e as válvulas anti-retorno no interior da unidade eléctrica devem ser verificados e substituídos (se necessário) por um profissional.

### • PARA EVITAR O CHOQUE ELÉTRICO, NÃO UTILIZE O SPA QUANDO ESTIVER A CHOVER.

- Nunca utilize as suas lentes de contacto quando estiver no seu spa.
- Não utilize o spa durante a manutenção química.
- A fonte de alimentação na parede do edifício deve ser mantida a uma distância superior a 4m da piscina e a uma altura mínima de 1,2m.
- A utilização de extensões é proibida.
- Não ligue ou desligue o aparelho se tiver as mãos molhadas.
- Desligue sempre o aparelho:
  - Em dias de chuva
  - Antes de limpar ou realizar outro tipo de manutenção
  - Caso o deixe sem ser utilizado durante as férias
- A limpeza e manutenção devem ser realizadas por um adulto com idade superior a 18 anos e que tenha consciência do risco de choque elétrico.
- Quando o aparelho não for utilizado durante um longo período de tempo, como no inverno, o spa ou o conjunto de piscina deve ser desmontado e armazenado no interior.
- **Cuidado:** Leia as instruções antes de utilizar o aparelho e a cada montagem ou instalação.
- Guarde as instruções. Caso as instruções estejam em falta, por favor contacte o fabricante ou procure-as no website [www.bestwaycorp.com](http://www.bestwaycorp.com)
- **Aviso: Para segurança elétrica, está incorporado no cabo de alimentação um PRCD, se**

**a corrente de fuga detetada for superior a 10mA, o dispositivo irá entrar em funcionamento e cortar a alimentação, nesse caso, por favor desligue e pare de utilizar o produto imediatamente. Não reinicie o produto sozinho. E deve contactar o agente de serviço local para verificar e reparar o produto.**

- Este aparelho pode ser utilizado por crianças de idade igual ou superior a 8 anos e por pessoas com capacidades físicas, sensoriais ou mentais reduzidas ou falta de experiência e conhecimento, caso lhes tenha sido fornecida supervisão ou instruções relativas à utilização do aparelho de forma segura e desde que compreendam os perigos envolvidos. As crianças não devem brincar com o aparelho. A limpeza e manutenção pelo utilizador não deve ser realizada por crianças sem supervisão. (Para o mercado da UE)  
Este aparelho não está concebido para ser utilizado por pessoas (incluindo crianças) com capacidades físicas, sensoriais ou mentais reduzidas, ou falta de experiência e conhecimento, salvo se providas de supervisão e instrução referente à utilização do aparelho por uma pessoa responsável pela sua segurança. As crianças devem ser supervisionadas para garantir que não brincam com o aparelho. (Para o mercado externo à UE)
- A água atrai as crianças; coloque sempre uma cobertura de spa após cada utilização.
- Não enterre o cabo. Posicione o cabo de forma a minimizar danos provocados por corta-relvas, aparadores de sebes e outro equipamento.
- Risco de Afogamento Acidental. Deve ter cuidado especial para prevenir o acesso não autorizado por crianças. Para evitar acidentes, certifique-se que as crianças não utilizam este spa salvo se estiverem sob supervisão a todo o momento.
- **RISCO DE FERIMENTO.** Nunca opere o spa caso as tubagens de entrada / saída estiverem partidas ou em falta. Nunca tente substituir as tubagens de entrada / saída. Consulte sempre o seu centro de Pós-Vendas local.
- **RISCO DE CHOQUE ELÉCTRICO.** Install at least 2m from all metal surfaces.
- **RISCO DE CHOQUE ELÉCTRICO.** Nunca opere qualquer aparelho elétrico quando estiver no seu spa ou quando o seu corpo estiver molhado. Nunca coloque qualquer aparelho elétrico, tal como um candeeiro, telefone, rádio ou televisão a uma distância inferior a 2m do spa.
- Durante a gravidez, a imersão em água quente pode causar danos ao feto. Limite a utilização a 10 minutos de cada vez.
- **PARA REDUZIR O RISCO DE FERIMENTOS:**
  - A. A água do spa não deve exceder os 40°C (104°F). A temperatura da água entre os 38°C (100°F) e os 40°C (104°F) é considerada segura para um adulto saudável.  
Recomendam-se temperaturas da água mais baixas para crianças pequenas e quando a utilização do spa exceder os 10 minutos.
  - B. Uma vez que as temperaturas da água têm um potencial elevado para causar danos ao feto durante os primeiros meses de gravidez, as mulheres grávidas ou possivelmente grávidas devem limitar a temperatura da água do spa a 38°C (100°F).
  - C. Antes de entrar num spa, o utilizador deve medir a temperatura da água com um termómetro preciso, uma vez que a tolerância dos dispositivos de regulação da temperatura da água varia.
  - D. A utilização de álcool, drogas ou medicação antes ou durante a utilização do spa pode conduzir a inconsciência com a possibilidade de afogamento.
  - E. Pessoas obesas ou com historial de doenças do coração, pressão sanguínea alta ou baixa, problemas no sistema circulatório ou diabetes, devem consultar um médico antes da utilização do spa.
  - F. As pessoas que tomam medicação devem consultar um médico antes de utilizar o spa, já que alguns medicamentos podem provocar sonolência, enquanto outros podem afectar a frequência cardíaca, pressão sanguínea e circulação.
- **PARA REDUZIR O RISCO DE FERIMENTOS:** Nunca verta água com uma temperatura superior a 40°C (104°F) directamente na piscina do spa.
- A utilização de álcool, drogas ou medicação podem aumentar grandemente o risco de hipertermia fatal. A hipertermia ocorre quando a temperatura interna do corpo atinge um nível muito acima da temperatura normal do corpo de 37°C (98,6°F). Os sintomas de hipertermia incluem um aumento da temperatura interna do corpo, tonturas, letargia, sonolência e desmaios. Os efeitos da hipertermia incluem a falha de percepção do calor; falha em reconhecer a necessidade de sair do spa ou banheira de hidromassagem; inconsciência do

- perigo iminente; danos fetais em mulheres grávidas; incapacidade física em sair do spa ou da banheira de hidromassagem; e inconsciência resultando em perigo de afogamento.
- As instalações elétricas devem seguir as regras nacionais de cablagem, consulte um electricista qualificado para quaisquer dúvidas.

### CONSULTE O SEU MÉDICO PARA OBTER RECOMENDAÇÕES.

#### CUIDADO:

- O spa não deve ser posicionado ou deixado a temperaturas inferiores a 4°C (40°F).
- Não utilize o spa sozinho.
- As pessoas com doenças infecciosas não devem utilizar o spa.
- Não utilize o spa imediatamente após a realização de exercício extenuante.
- Entre e saia do spa sempre lentamente e com cuidado. As superfícies molhadas são escorregadias.
- Para evitar danos na bomba, o spa nunca deve ser operado a não ser que esteja cheio de água.
- O utilizador deve sair do spa imediatamente caso se sinta desconfortável ou sonolento.
- Nunca adicione água aos químicos. Adicione sempre químicos à água para evitar gases fortes ou reações violentas que possam resultar em pulverizações perigosas de químicos.
- Para informações relativas à limpeza, manutenção e eliminação da água, por favor consulte a secção "MANUTENÇÃO".
- Para informações relativas à instalação, agradecemos que consulte o parágrafo abaixo no manual.

#### NOTA:

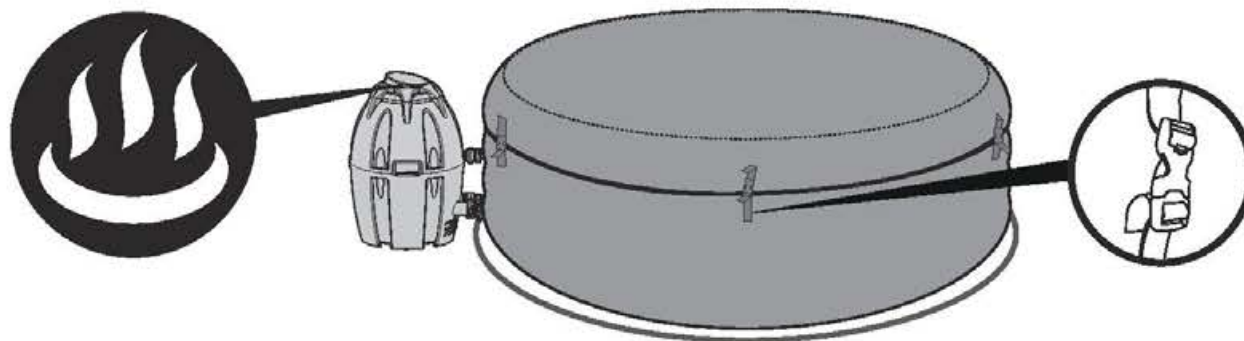
- Por favor examine o equipamento antes da utilização. Notifique a Bestway através do endereço de apoio ao cliente indicado neste manual, relativamente a qualquer peça danificada ou em falta no momento da aquisição. Verifique se os componentes do equipamento representam os modelos que tinha previsto adquirir.
- Este produto não foi concebido para utilização comercial.

## GUARDE ESTAS INSTRUÇÕES

### IMPORTANTE!

Para atingir os 40°C (104°F), a duração do aquecimento necessária é baseada na temperatura inicial da água e na temperatura ambiente, os dados abaixo servem apenas como referência. Para apresentar a temperatura atual da água, opere o sistema de filtro durante pelo menos um minuto.

Temperatura Ambiente	Temperatura da Água	Definir Temperatura	Duração do Aquecimento
10°C(50°F)	10°C(50°F)	40°C(104°F)	18.5h
15°C(59°F)	15°C(59°F)	40°C(104°F)	15h
20°C(68°F)	20°C(68°F)	40°C(104°F)	11.5h
25°C(77°F)	25°C(77°F)	40°C(104°F)	8.5h
30°C(86°F)	30°C(86°F)	40°C(104°F)	5.5h

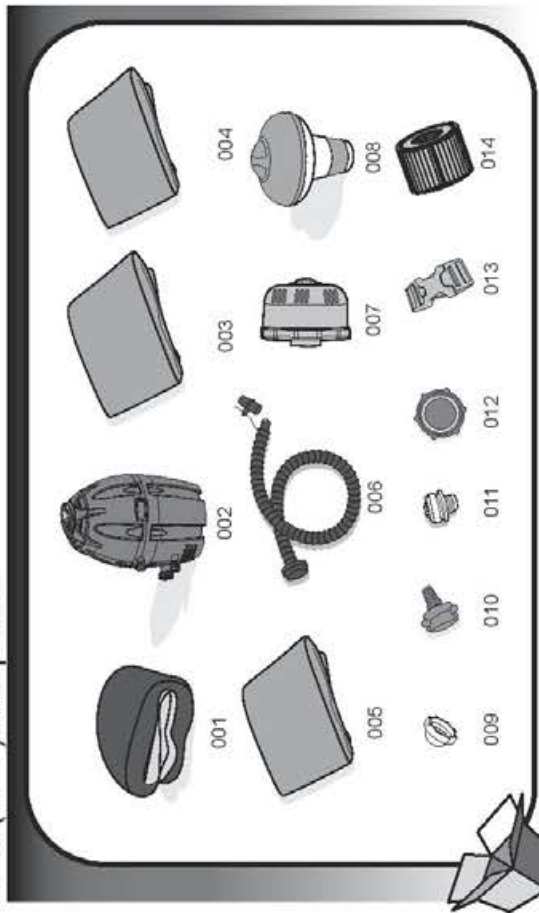


Certifique-se que protege o spa com a cobertura sempre que a função de aquecimento estiver ativa. Se não cobrir o spa, a duração de aquecimento necessária irá aumentar. Por favor não utilize o spa quando a temperatura ambiente for inferior a 4°C (39 °F).

## ESPECIFICAÇÕES PARA O LAY-Z-SPA™ VEGAS AirJet (#54112)

Capacidade:	4-5 Adultos	Soprador de Massagem Turbo:	800W	Taxa de Calor Aumentada:	Aproximadamente 1,5-2°C/h (3-4°F/h)
Capacidade de Água (90%):	935 L (247 gal)	Elemento de Aquecimento:	2.000W at 20°C	Fluxo de Água Real:	1.325 L/h (350 gal/h)
Tamanho Cheio:	1,96m x 61cm (77" x 24")	Bomba:	Bomba do Filtro de Circulação 50W	Classificação de Potência:	220-240V AC, 2.050W a 20°C
Peso Cheio:	966 kg (2.130 Lb)	Capacidades de Temperatura:	40°C (104°F)	Pressão de Funcionamento:	0,8PSI (0,055Bar)

**NOTA:** A taxa de aquecimento mencionada acima baseia-se num teste de laboratório efetuado à temperatura ambiente de 25°C (77°F) e superior.

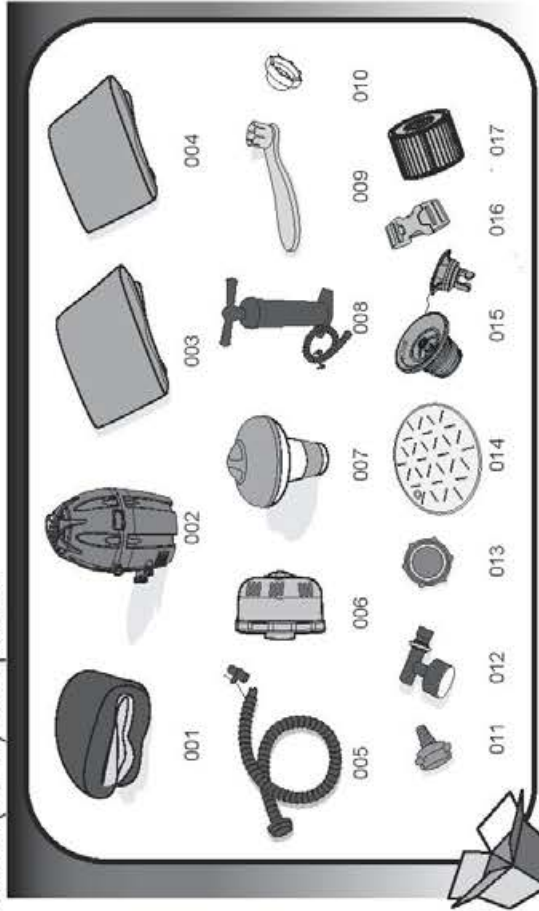


N.º da Peça	Código da Peça	Descrição	QTD
001	54112TASS15	Forro da piscina	1
002	P4H054ASS17	Aquecedor do Spa	1
003	P5H284GASS17	Cobertura Superior em Couro Sintético	1
004	P5H284TASS17	Cobertura do Forro em Couro Sintético	1
005	54112GASS15	Cobertura Insulfável	1
006	P6931	Mangueira de Enchimento	1
007	P6653	Conjunto de Filtro	1
008	56426S17	Flutuador Químico	1
009	P6575	Tampões	2
010	P6932	Adaptador de Mangueira	1
011	F4A024ASS	Válvula de Parafuso	1
012	P6611	Adaptador A da Cobertura	1
013	F6414ASS	Fivela	8
014	56323	Cartucho de Filtro (VI)	2

## ESPECIFICAÇÕES PARA O LAY-Z-SPA™ MONACO AirJet (#54113)

Capacidade:	6-8 Adultos	Soprador de Massagem Turbo:	800W	Taxa de Calor Aumentada:	Aproximadamente 1,0-1,5°C/h (2-3°F/h)
Capacidade de Água (80%):	1.463 L (384 gal)	Elemento de Aquecimento:	2.000W a 20°C	Fluxo de Água Real:	1.325 L/h (350 gal/h)
Tamanho Cheio:	2,01m x 69cm (79" x 27")	Bomba:	Bomba do Filtro de Circulação 50W	Classificação de Potência:	220-240V AC, 2.050W a 20°C
Peso Cheio:	1.490 kg (3.284 Lb)	Capacidades de Temperatura:	40°C (104°F)	Pressão de Funcionamento:	7PSI-10PSI (0,48Bar-0,69Bar)

**NOTA:** A taxa de aquecimento mencionada acima baseia-se num teste de laboratório efetuado à temperatura ambiente de 25°C (77°F) e superior.

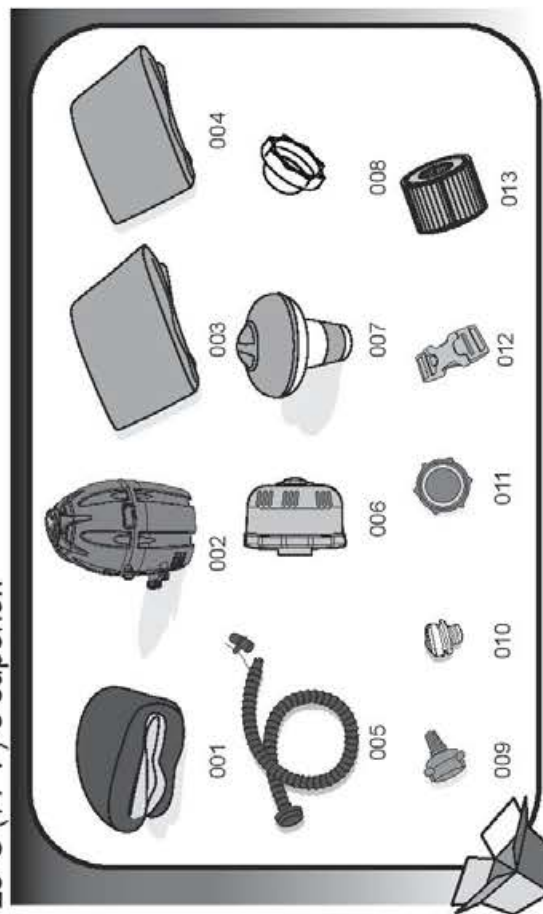


N.º da Peça	Código da Peça	Descrição	QTD
001	54113TASS17	Forro da piscina	1
002	P4D148ASS17	Aquecedor do Spa	1
003	P5D288ASS17	Cobertura Superior em Couro Sintético	1
004	54113GASS17	Cobertura Insulfável	1
005	P6931	Mangueira de Enchimento	1
006	P6653	Conjunto de Filtro	1
007	56426S17	Flutuador Químico	1
008	P3054C17	Bomba Manual de Alta Pressão	1
009	F6H189ASS15	Chave Inglesa	1
010	P6575	Tampões	2
011	P6932	Adaptador de Mangueira	1
012	P6608	Manómetro de Pressão	1
013	P6611	Adaptador A da Cobertura	1
014	12632ASS15	Almofadas Insulfáveis	4
015	P6H971	Válvula de Enchimento	1
016	F6414ASS	Fivela	6
017	56323	Cartucho de Filtro (VI)	2

## ESPECIFICAÇÕES PARA O LAY-Z-SPA™ MIAMI Air Jet (#54123)

Capacidade:	2-4 Adultos	Soprador de Massagem Turbo:	800W	Taxa de Calor Aumentada:	Aproximadamente 1,5-2°C/h (3-4°F/h)
Capacidade de Água (80%):	669 L (177 gal)	Elemento de Aquecimento:	2.000W a 20°C	Fluxo de Água Real:	1.325 L/h (350 gal/h)
Tamanho Cheio:	1,80m x 66cm (71" x 26")	Bomba:	Bomba do Filtro de Circulação 50W	Classificação de Potência:	220-240V AC, 2.050W a 20°C
Peso Cheio:	696 kg (1.534 Lb)	Capacidades de Temperatura:	40°C (104°F)	Pressão de Funcionamento:	0,8PSI (0,055Bar)

**NOTA:** A taxa de aquecimento mencionada acima baseia-se num teste de laboratório efetuado à temperatura ambiente de 25°C (77°F) e superior.

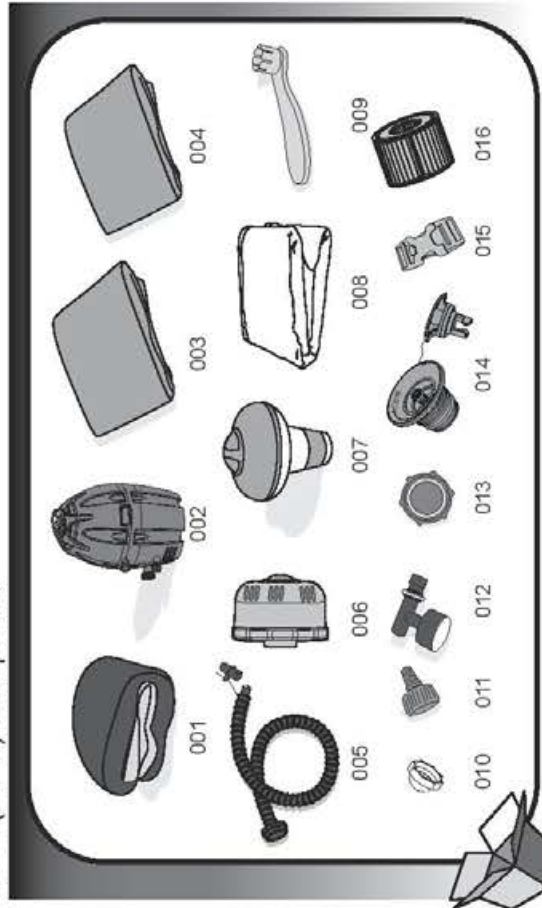


N.º da Peça	Código da Peça	Descrição	QTD
001	54123TASS17	Forno da piscina	1
002	P4H054ASS17	Aquecedor do Spa	1
003	P5C364ASS17	Cobertura Superior de Reforço	1
004	54123GASS17	Cobertura Insuflável	1
005	P6931	Mangueira de Enchimento	1
006	P6653	Conjunto de Filtro	1
007	58426S17	Flutuador Químico	1
008	P6575	Tampões	2
009	P6932	Adaptador de Mangueira	1
010	F4024ASS	Válvula de Parafuso	1
011	P6611	Adaptador A da Cobertura	1
012	F6414ASS	Fivela	6
013	58323	Cartucho de Filtro (VI)	2

## ESPECIFICAÇÕES PARA O LAY-Z-SPA™ PALM SPRINGS Air Jet (#54129)

Capacidade:	4-6 Adultos	Soprador de Massagem Turbo:	800W	Taxa de Calor Aumentada:	Aproximadamente 1,5-2°C/h (3-4°F/h)
Capacidade de Água (80%):	916 L (242 gal)	Elemento de Aquecimento:	2.000W a 20°C	Fluxo de Água Real:	1.325 L/h (350 gal/h)
Tamanho Cheio:	1,96m x 71cm (77" x 28")	Bomba:	Bomba do Filtro de Circulação 50W	Classificação de Potência:	220-240V AC, 2.050W a 20°C
Peso Cheio:	954 kg (2.103 Lb)	Capacidades de Temperatura:	40°C (104°F)	Pressão de Funcionamento:	1,2PSI (0,08Bar)

**NOTA:** A taxa de aquecimento mencionada acima baseia-se num teste de laboratório efetuado à temperatura ambiente de 25°C (77°F) e superior.

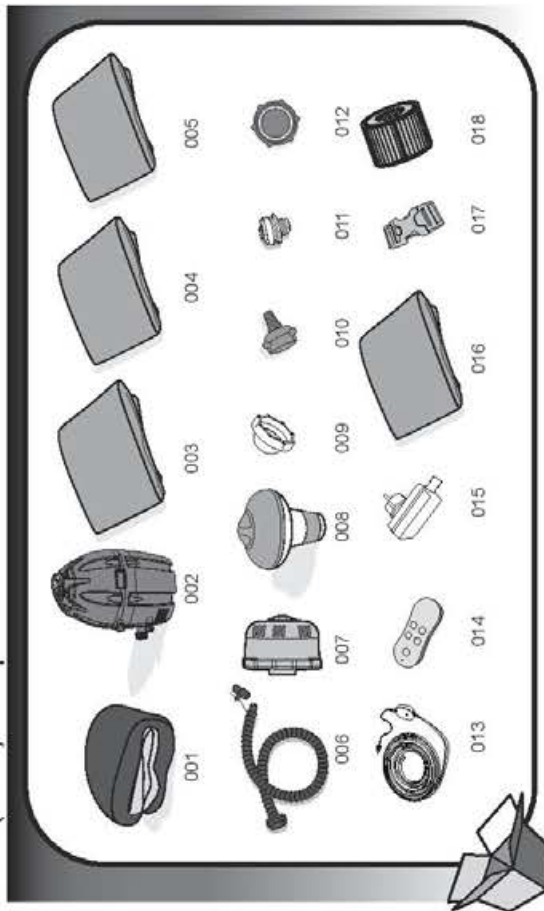


N.º da Peça	Código da Peça	Descrição	QTD
001	54129TASS17	Forno da piscina	1
002	P4E079ASS17	Aquecedor do Spa	1
003	P5B401ASS17	Cobertura Superior em Couro Sintético	1
004	54129GASS17	Cobertura Insuflável	1
005	P6930	Mangueira de Enchimento	1
006	P6653	Conjunto de Filtro	1
007	58426S17	Flutuador Químico	1
008	58321(H)S15	Tapete para solo	1
009	F6H189ASS15	Chave Inglesa	1
010	P6575	Tampões	2
011	P6H565	Adaptador de Mangueira	1
012	P61199	Manômetro de Pressão	1
013	P6611	Adaptador A da Cobertura	1
014	P6H971	Válvula de Enchimento	1
015	F6414ASS	Fivela	6
016	58323	Cartucho de Filtro (VI)	2

## ESPECIFICAÇÕES PARA O LAY-Z-SPA™ PARIS AirJet (#54148)

Capacidade:	4-6 Adultos	Soprador de Massagem Turbo:	800W	Taxa de Calor Aumentada:	Aproximadamente 1,5-2°C/h (3-4°F/h)
Capacidade de Água (80%):	808 L (213 gal)	Elemento de Aquecimento:	2.000W a 20°C	Fluxo de Água Real:	1.325 L/h (350 gal/h)
Tamanho Chelo:	1,96m x 66cm (77" x 26")	Bomba:	Bomba do Filtro de Circulação 50W	Classificação de Potência:	220-240V AC, 2.050W a 20°C
Peso Cheio:	840 kg (1.851 Lb)	Capacidades de Temperatura:	40°C (104°F)	Pressão de Funcionamento:	0,9PSI (0,055Bar)

**NOTA:** A taxa de aquecimento mencionada acima baseia-se num teste de laboratório efetuado à temperatura ambiente de 25°C (77°F) e superior.

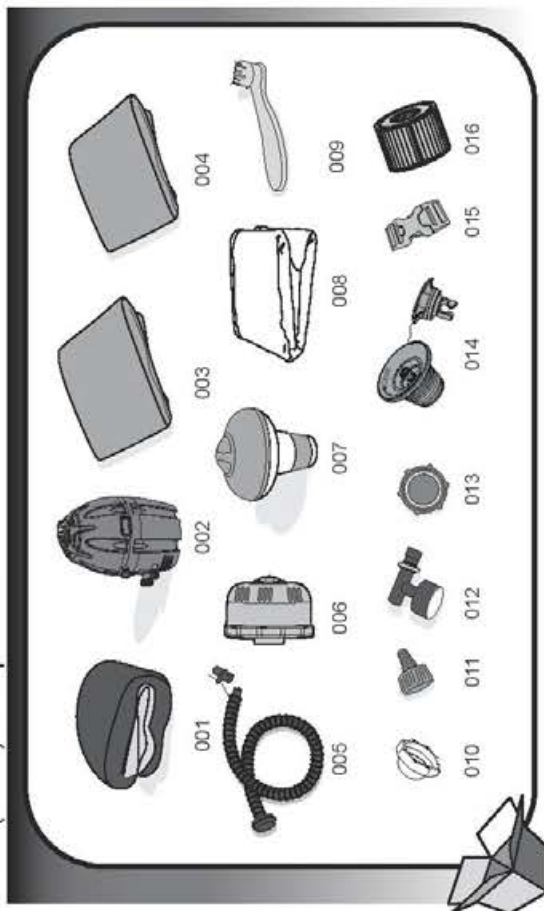


N.º da Peça	Código da Peça	Descrição	QTD
001	54148TASS16	Forro da piscina	1
002	P4H054AASS17	Aquecedor do Spa	1
003	P6H284GASS17	Cobertura Superior em Couro Sintético	1
004	P6H513TASS17	Cobertura do Forro em Couro Sintético	1
005	54148GASS16	Cobertura Insulável	1
006	P6931	Mangueira de Enchimento	1
007	P6653	Conjunto de Filtro	1
008	58426S17	Flutuador Químico	1
009	P6575	Tampões	2
010	P6932	Adaptador de Mangueira	1
011	F4A024ASS	Válvula de Paratubo	1
012	P6611	Adaptador A da Cobertura	1
013	P61670	Faixa LED	1
014	P61232	Controlo Remoto	1
015	P61671	Transformador	1
016	58321(H)S15	Tapete para Solo	1
017	F6414ASS	Fivela	8
018	58323	Cartucho de Filtro (VI)	2

## ESPECIFICAÇÕES PARA O LAY-Z-SPA™ Hawaii AirJet (#54154)

Capacidade:	4-6 Adultos	Soprador de Massagem Turbo:	800W	Taxa de Calor Aumentada:	Aproximadamente 1,5-2°C/h (3-4°F/h)
Capacidade de Água (80%):	840 L (222 gal.)	Elemento de Aquecimento:	2.000W a 20°C	Fluxo de Água Real:	1.325 L/h (350 gal/h)
Tamanho Chelo:	1,80m x 1,80m x 71cm (71" x 71" x 28")	Bomba:	Bomba do Filtro de Circulação 50W	Classificação de Potência:	220-240V AC, 2.050W a 20°C
Peso Cheio:	879 kg (1.938 Lb)	Capacidades de Temperatura:	40°C (104°F)	Pressão de Funcionamento:	1,2PSI (0,08Bar)

**NOTA:** A taxa de aquecimento mencionada acima baseia-se num teste de laboratório efetuado à temperatura ambiente de 25°C (77°F) e superior.

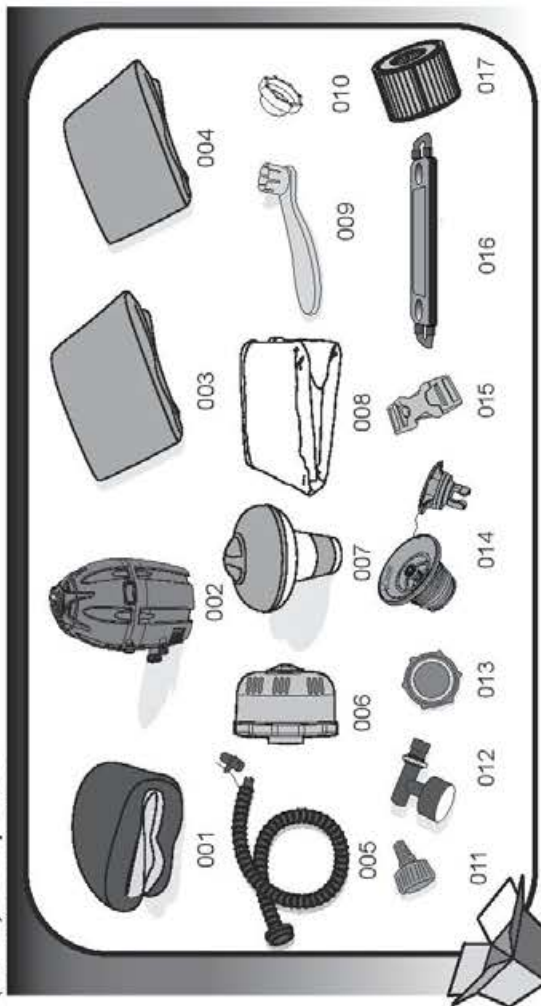


N.º da Peça	Código da Peça	Descrição	QTD
001	54154TASS17	Forro da piscina	1
002	P4D148AASS17	Aquecedor do Spa	1
003	P5D588GASS17	Cobertura Superior em Couro Sintético	1
004	54138GASS17	Cobertura Insulável	1
005	P6930	Mangueira de Enchimento	1
006	P6653	Conjunto de Filtro	1
007	58426S17	Flutuador Químico	1
008	58371(H)S15	Tapete para solo	1
009	F6H189AASS15	Chave Inglesa	1
010	P6575	Tampões	2
011	P6H565	Adaptador de Mangueira	1
012	P61199	Manómetro de Pressão	1
013	P6611	Adaptador A da Cobertura	1
014	P6H971	Válvula de Enchimento	1
015	F6414ASS	Fivela	8
016	58323	Cartucho de Filtro (VI)	2

## SPECIFICATIONS FOR LAY-Z-SPA™ Siena AirJet (#54156)

Capacidade:	2 Adultos	Soprador de Massagem Turbo:	800W	Taxa de Calor Aumentada:	Aproximadamente 2,2 5°C/h (3,5-4,5°F/h)
Capacidade de Água (80%):	509 L (134 gal.)	Elemento de Aquecimento:	2.000W a 20°C	Fluxo de Água Real:	1.325 L/h (350 gal/h)
Tamanho Chelo:	2,49m x 1,49m x 66cm (98" x 59" x 26")	Bomba:	Bomba do Filtro de Circulação 50W	Classificação de Potência:	220-240V AC, 2.050W a 20°C
Peso Chelo:	548 kg (1.205 Lb)	Capacidades de Temperatura:	40°C (104°F)	Pressão de Funcionamento:	1,2PSI (0,08Bar)

**NOTA: NOTA:** A taxa de aquecimento mencionada acima baseia-se num teste de laboratório efetuado à temperatura ambiente de 25°C (77°F) e superior.



N.º da Peça	Código da Peça	Descrição	QTD
001	54156TASS17	Forro da piscina	1
002	P4H054ASS17	Aquecedor do Spa	1
003	P6594ASS17	Cobertura Superior em Couro Sintético	1
004	54156GASS17	Cobertura Insulável	1
005	P6930	Mangueira de Enchimento	1
006	P6653	Conjunto de Filtro	1
007	59426S17	Flutuador Químico	1
008	P6586	Tapete para solo	1
009	F6H189ASS15	Chave Inglesa	1
010	P6575	Tampões	2
011	P6H565	Adaptador de Mangueira	1
012	P61199	Manómetro de Pressão	1
013	P6611	Adaptador A da Cobertura	1
014	P6H971	Válvula de Enchimento	1
015	F6414ASS	Fivela	8
016	P6596	Mesa de Bebidas	1
017	59323	Cartucho de Filtro (VI)	2

## INSTALAÇÃO

### Local Selecionado

**AVISO:** O local selecionado deve ser capaz de suportar a carga esperada.

**AVISO:** Deve ser fornecido um sistema de drenagem adequado para lidar com o transbordamento de água para as instalações interiores e exteriores.

**IMPORTANTE:** Devido ao peso combinado do Lay-Z-Spa, da água e dos utilizadores, é extremamente importante que a base onde o Lay-Z-Spa está instalado seja lisa, plana e nivelada, e capaz de suportar uniformemente o peso durante todo o período de instalação do Lay-Z-Spa (não utilize tapetes ou outro material semelhante). Se o Lay-Z-Spa for colocado sobre uma superfície que não cumpra estes requisitos, qualquer dano causado pelo suporte indevido não está abrangido pela garantia do fabricante. É da responsabilidade do proprietário do Lay-Z-Spa assegurar a integridade do local em todo o momento.

### 1. Instalação no Interior:

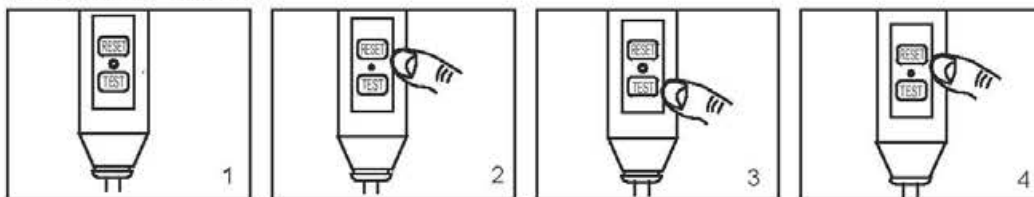
**Esteja consciente dos requisitos especiais se instalar o spa dentro de casa.**

- A humidade é um efeito colateral natural da instalação do Lay-Z-Spa. Determine os efeitos da humidade do ar em madeira e papel expostos, etc. no local proposto. Para minimizar estes efeitos, é importante garantir uma boa ventilação na área selecionada. Um arquiteto poderá ajudar a determinar se é necessária mais ventilação.

### 2. Instalação no Exterior:

- Durante o enchimento, drenagem ou utilização, a água pode fluir para fora do spa. Portanto, o Lay-Z-Spa deve ser instalado próximo de um dreno de pavimento.
- Não deixe a superfície do spa exposta à luz solar direta durante longos períodos de tempo.

## Teste PRCD



**NOTA:** Os desenhos servem apenas para fins ilustrativos. Pode não refletir o produto real. Não está à escala.

1. Insira a ficha.
2. Pressione o botão "REINICIAR", a luz indicadora irá ligar.
3. Pressione o botão "TESTE", a luz indicadora irá desligar-se.
4. Pressione o botão "REINICIAR", a luz indicadora irá ligar.
5. Pressione o botão "Ligar/Desligar" durante 2 segundos, e a sua bomba está pronta a utilizar.

**AVISO:** A tomada PRCD deve ser testada antes da utilização para evitar o risco de choque eléctrico..

**AVISO:** Antes de inserir a ficha numa tomada, certifique-se que a taxa da corrente da tomada é adequada à bomba.

**AVISO:** Não utilize a bomba caso este teste falhe e contacte o nosso Serviço de Pós-Vendas.



**NOTA:** Durante o enchimento, irá notar que o ar é expelido através da área onde a mangueira de ar se liga à bomba, isto é normal devido a requisitos técnicos.

**NOTA:** Não utilize um compressor de ar para encher a piscina.

**NOTA:** Não arraste a piscina num terreno acidentado, isso pode danificar o forro da piscina.

**NOTA:** O tempo de enchimento serve apenas como referência.

**NOTA:** O manómetro de pressão serve apenas para fins de enchimento, e o valor do manómetro de pressão serve apenas como referência, não deve ser utilizado como um instrumento de precisão.

### Verificação da Válvula de Ar (para spa com válvula de enchimento/esvaziamento rápida)

Verifique sempre a válvula de ar cuidadosamente antes do enchimento, para garantir que não existe nenhuma fuga de ar. Caso a válvula de ar esteja solta, utilize a chave inglesa fornecida para apertar a válvula seguindo os passos seguintes:

Com uma mão, segure a parte de trás da válvula de ar a partir da parte interior da parede do spa, e rode a chave no sentido dos ponteiros do relógio.

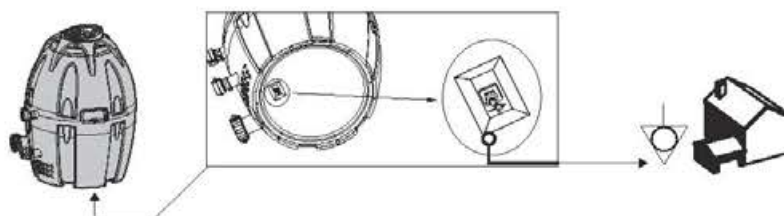
**NOTA:**

1. Não aperte em demasia.
2. Não ajuste o conector da válvula de ar quando o spa estiver em utilização.



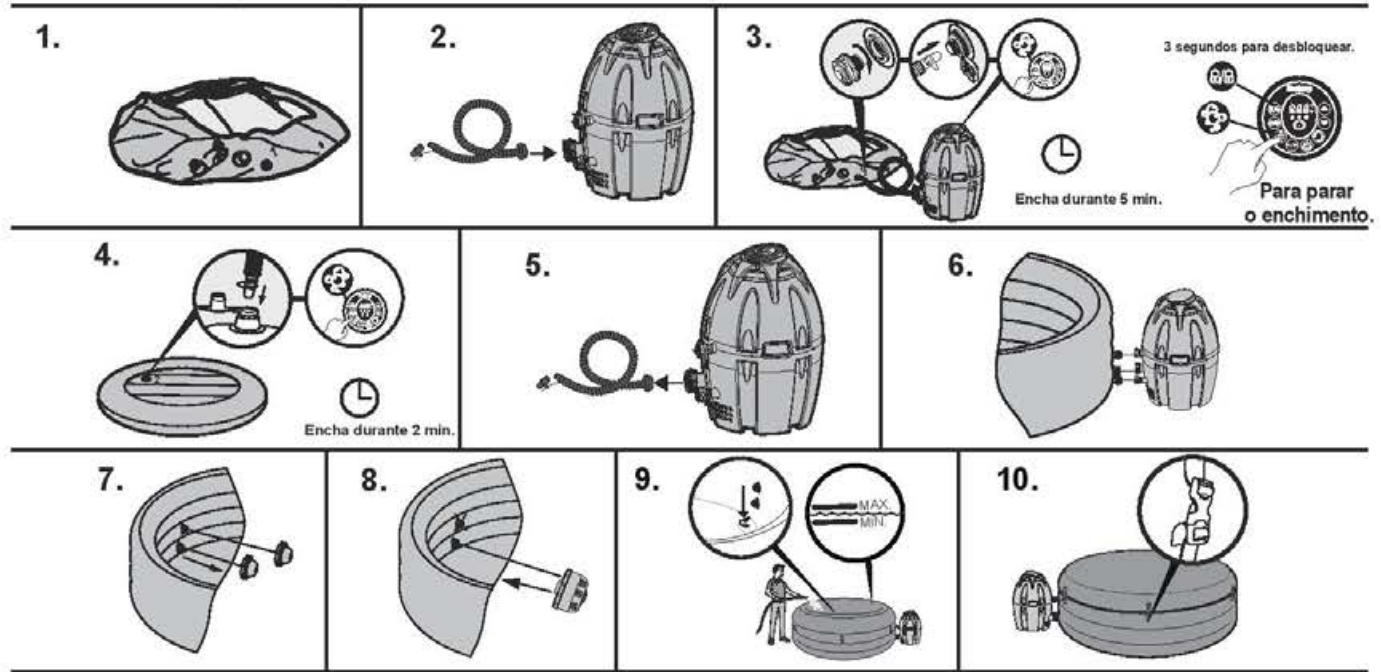
### TERMINAL DE LIGAÇÃO EQUIPOTENCIAL DA BOMBA DO SPA

Recomenda-se que contacte um electricista qualificado para conectar a bomba do SPA a um terminal de terra, utilizando um condutor de cobre sólido com 2,5 mm<sup>2</sup> (no mínimo).

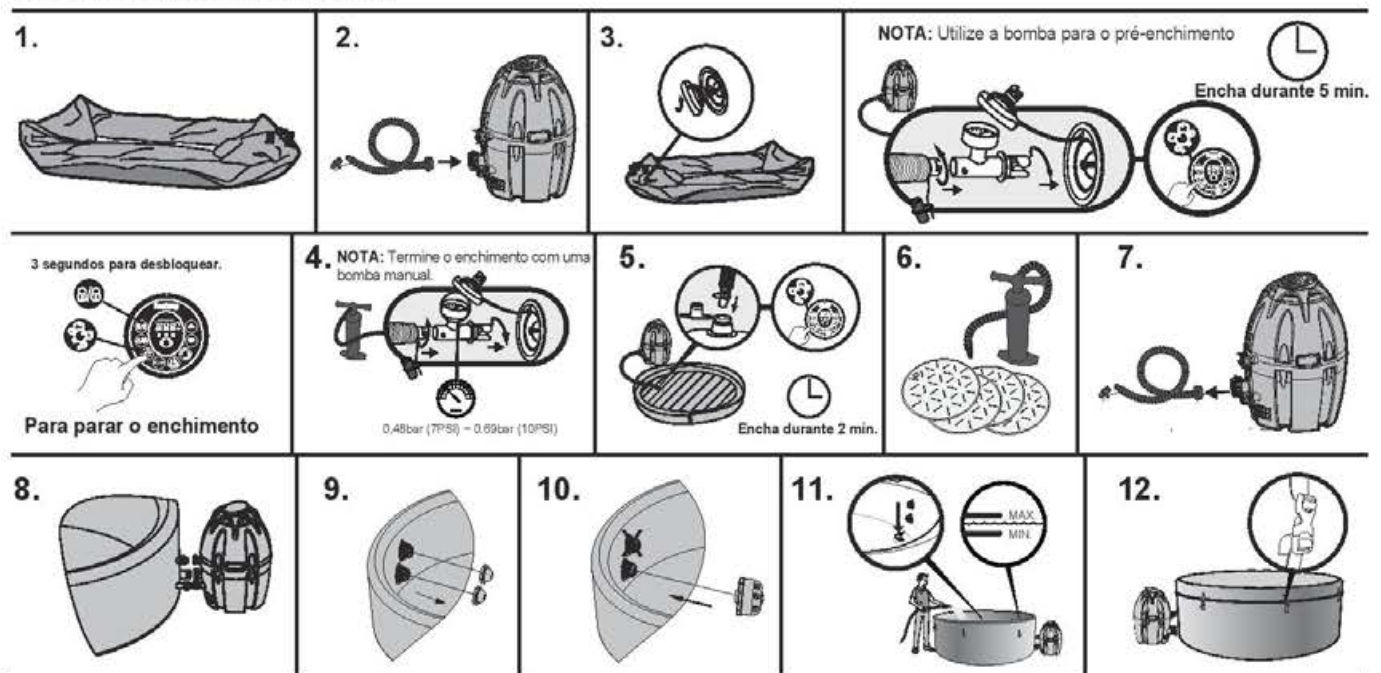




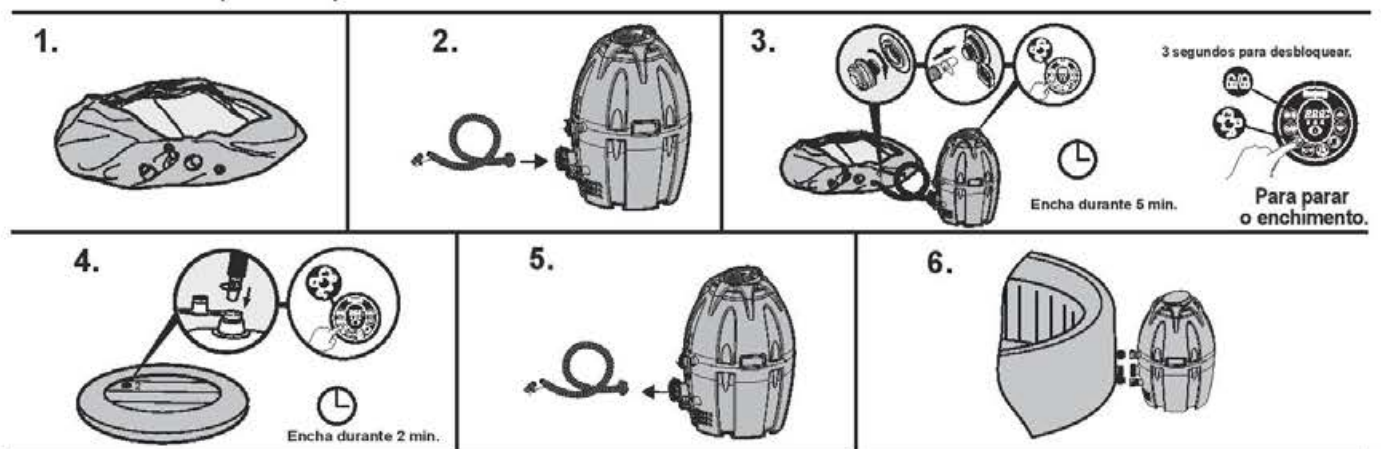
## VEGAS AirJet (#54112)

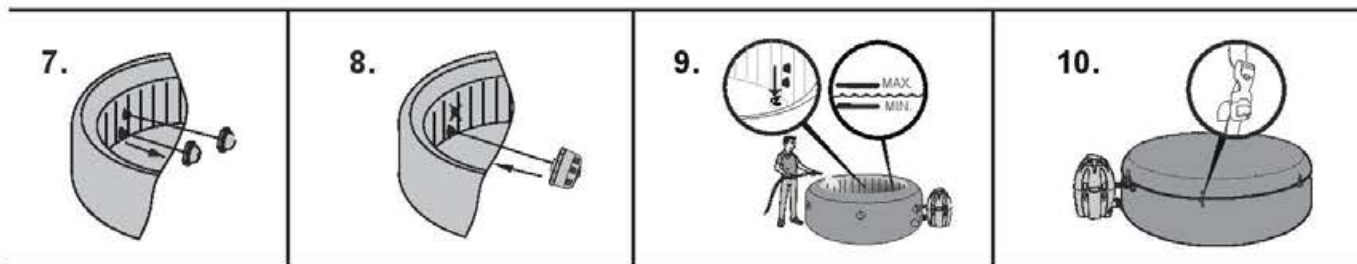


## MONACO AirJet (#54113)

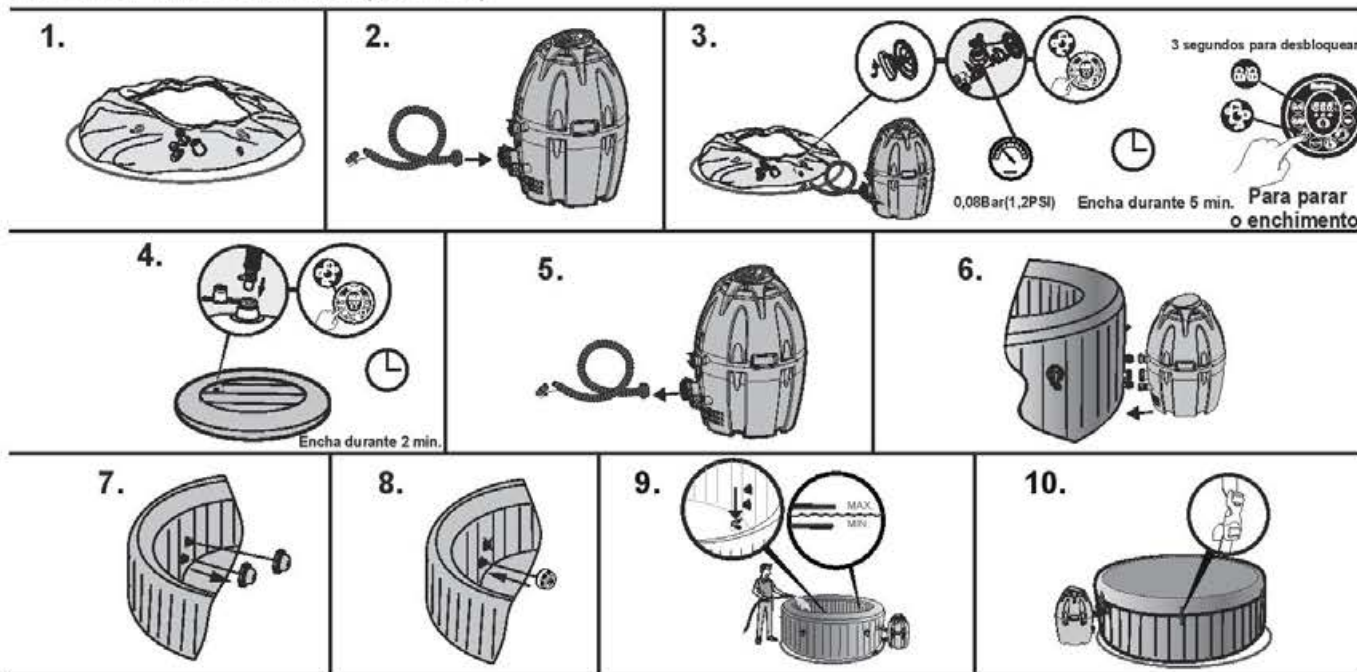


## MIAMI AirJet (#54123)

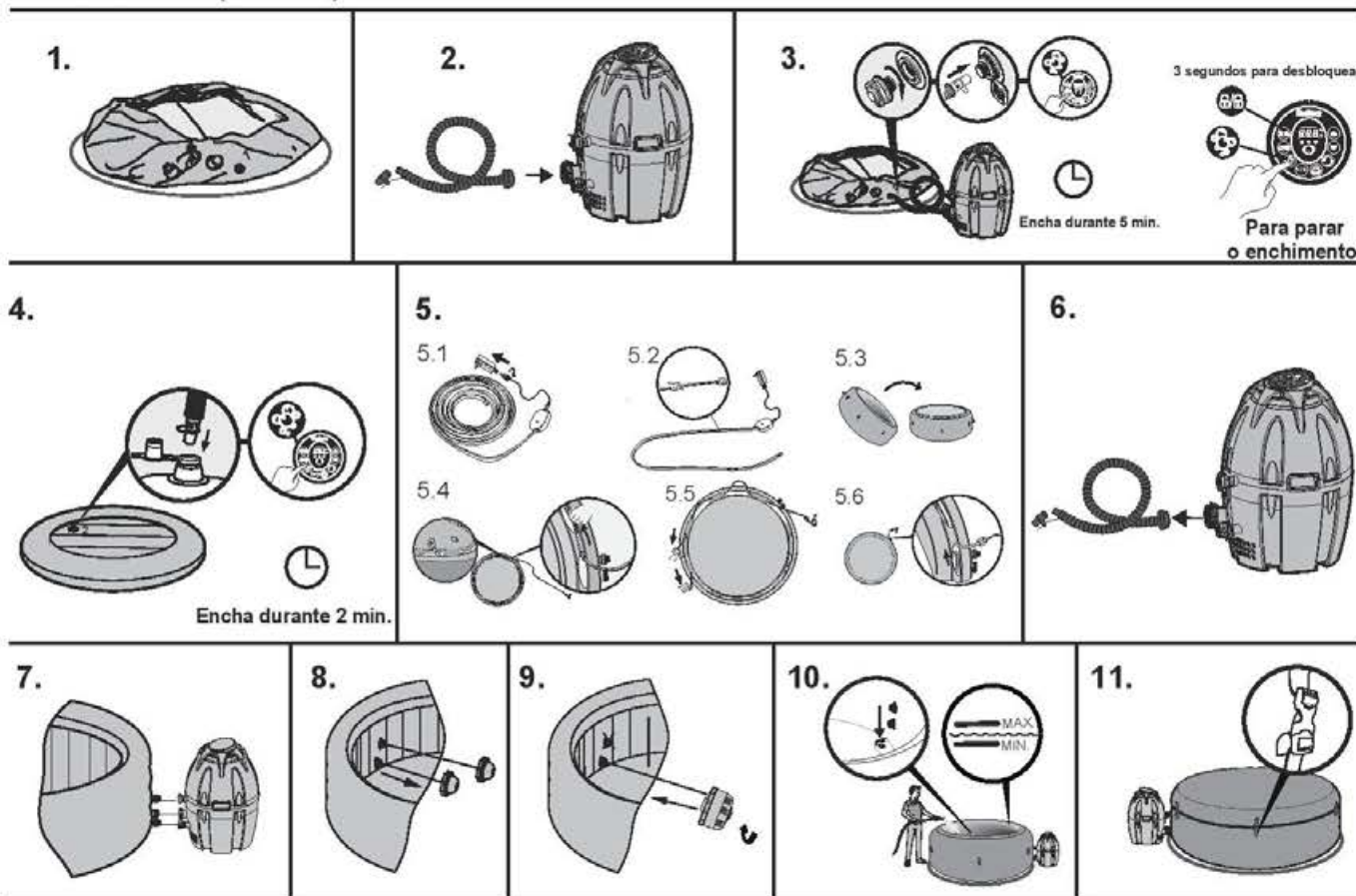




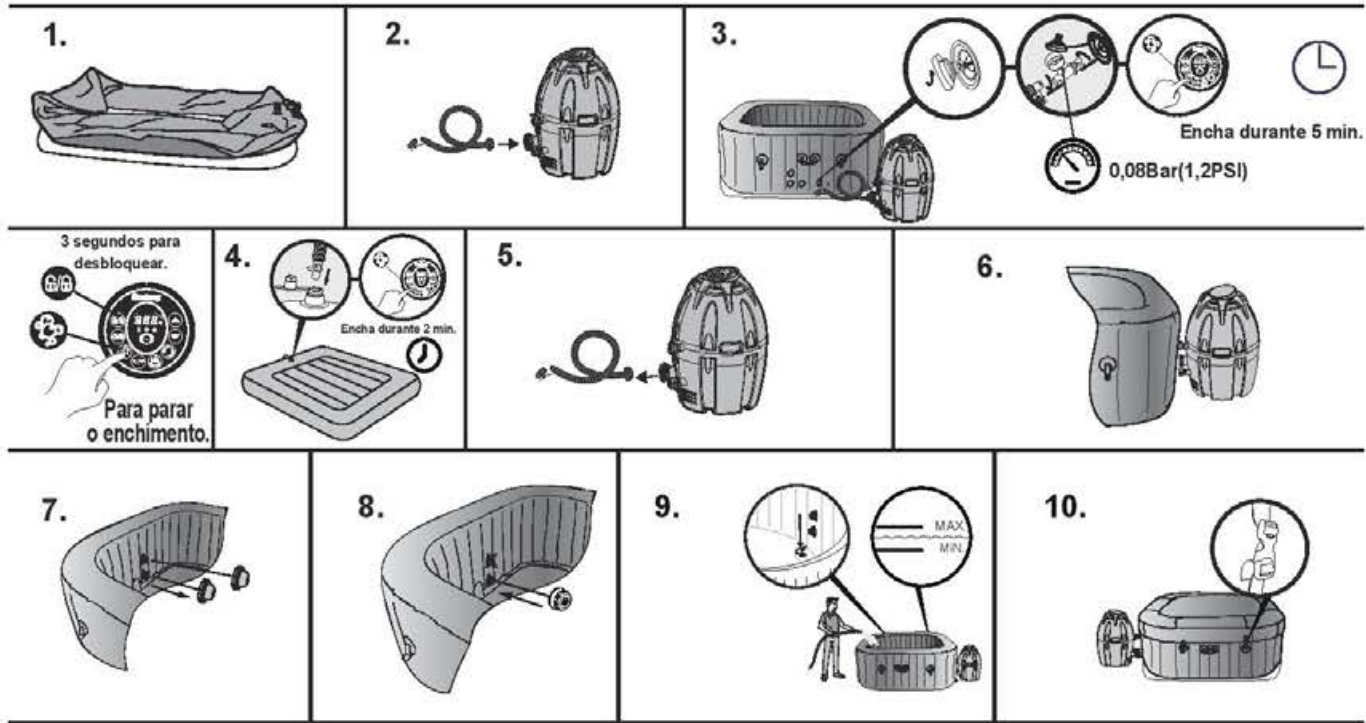
**PALM SPRINGS AirJet (#54129)**



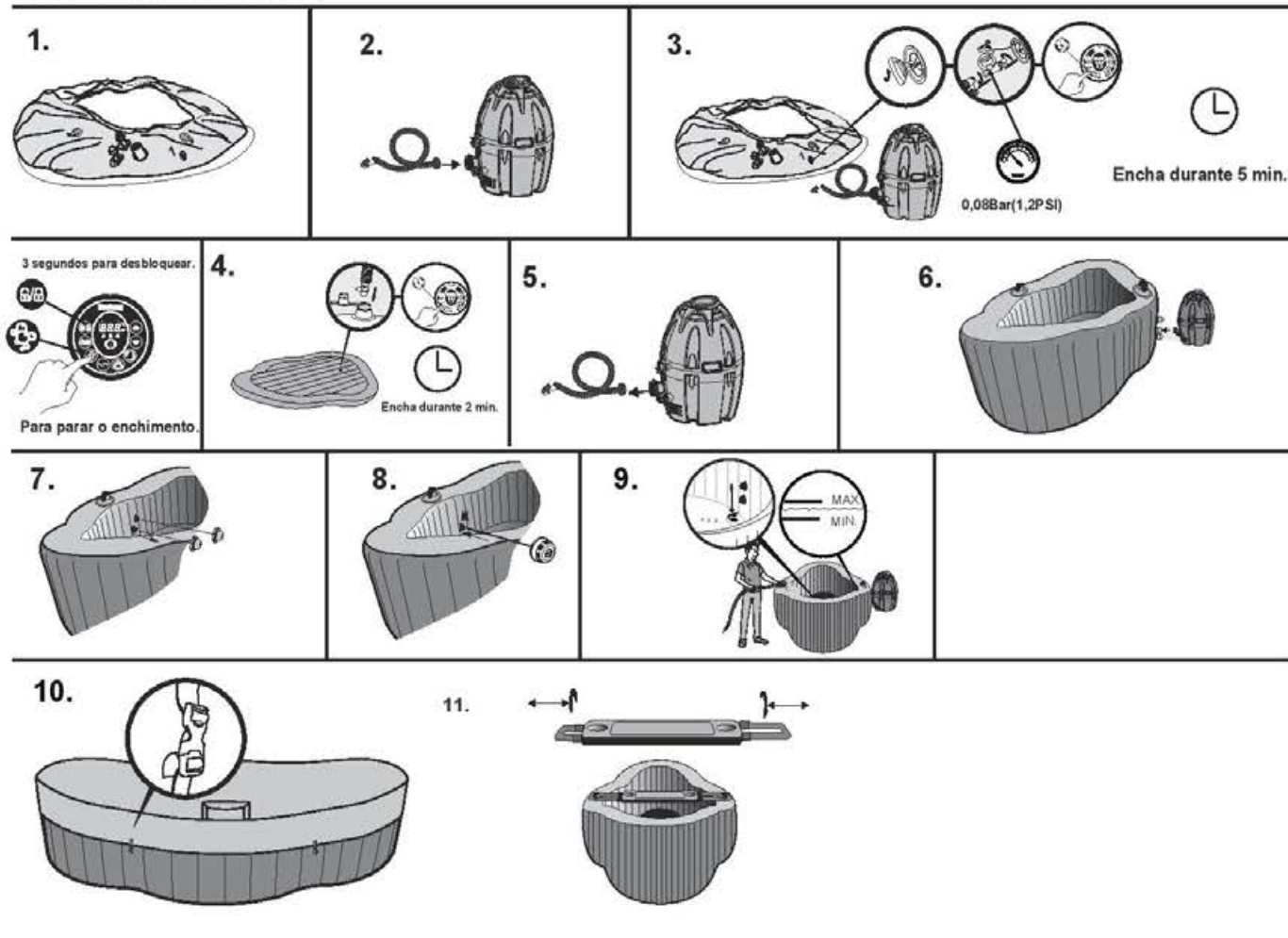
**PARIS AirJet (#54148)**



## HAWAII AirJet (#54154)



## SIENA AirJet (#54156)



## FUNCIONAMENTO DA BOMBA

### Reinício do Aquecimento

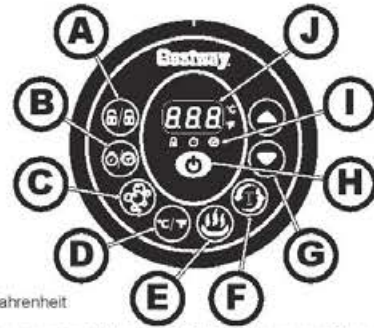
Quando utilizar o Lay-Z-Spa pela primeira vez, ou após um período prolongado de inatividade, certifique-se que pressiona o botão de reinício na bomba utilizando um objeto pequeno e fino.

### BOTÃO DE REINÍCIO

#### INSTRUÇÕES IMPORTANTES DE UTILIZAÇÃO

Se a temperatura no painel de controlo (ou a temperatura da água) não se alterar nas 4-5 horas após a ativação do sistema de aquecimento, utilize um objeto fino para pressionar o BOTÃO REINICIAR, e reinicie o sistema de aquecimento.

**IMPORTANTE:** O Sistema de aquecimento não irá funcionar se a temperatura exterior for superior a 40°C (104°F) ou se o Lay-Z-Spa estiver sob luz solar direta. Nestas condições, por favor, aguarde por um período do dia mais fresco antes de pressionar o BOTÃO REINICIAR com um objeto fino e reinicie o Sistema de aquecimento.



### A Botão Bloquear/Desbloquear

A bomba possui um bloqueio automático de 5 minutos. A luz LED irá escurecer quando a bomba estiver bloqueada (nenhuma função é ativada). Para bloquear ou desbloquear a bomba, coloque um dedo no botão de bloquear/desbloquear durante 3 segundos.

### B Botão do Temporizador de Poupança de Energia

Esta é uma função recém adicionada, concebida para ajudar a evitar o desperdício de energia definindo o tempo e duração do ciclo de aquecimento para o spa.

#### PASSO 1: Defina a duração do aquecimento

1. Pressione o botão da unidade e o LED começa a piscar.
2. Pressione o botão ou para ajustar a duração do aquecimento (De 1-48 horas).
3. Press the button again to confirm the heating duration.

#### PASSO 2: Defina o número de horas A PARTIR DE AGORA quando o aquecedor deve ser ativado.

1. Após definir a duração do aquecimento, o LED começa a piscar.
2. Pressione o botão ou para ajustar as horas até ao tempo de ativação (De 0-99 horas).
3. Pressione o botão novamente ou simplesmente não toque em nada durante 10 segundos para confirmar a configuração. O LED ficará ligado de forma constante, e a contagem decrescente para a ativação do aquecedor será iniciada.

**Para modificar as definições do temporizador:** Pressione o botão e utilize os botões ou para ajustar.

**Cancelar a definição:** Pressione o botão durante 2 segundos.

**NOTA:** Depois da configuração, o ecrã pisca, apresentando a temperatura e hora atuais alternadamente.

**NOTA:** O ajuste do temporizador (quantidade de tempo com o aquecedor LIGADO) pode ser definido de 1 a 48 horas; O ajuste do tempo de reserva (o número de horas A PARTIR DE AGORA até o aquecedor começar a funcionar) pode ser definido de 0 a 99 horas. Se o temporizador estiver configurado para as 0 horas, o sistema de aquecimento irá ativar-se de imediato.

Note que o temporizador é de utilização única - o utilizador define a duração do ciclo de aquecimento e as horas a partir daquele momento até o ciclo de aquecimento iniciar. O temporizador NÃO repete até ser reiniciado.

### C Botão do Sistema Lay-Z-Massage

Utilize este botão para ativar o sistema de massagem, que tem uma função de auto-desativação de 30 minutos. A luz localizada acima do Botão do Sistema Lay-Z-Massage fica vermelha quando está ativa.

**IMPORTANTE:** Não utilize o sistema Lay-Z-Massage quando a cobertura estiver colocada. Pode ocorrer acumulação de ar no interior do spa, provocando danos irreparáveis e ferimentos corporais.

**NOTA:** O sistema de massagem e de aquecimento funciona em conjunto de maneira a criar uma calorosa experiência de massagem.



### D Alternar entre Celsius/Fahrenheit

A temperatura pode ser apresentada tanto em Fahrenheit como em Celsius.

### E Botão de Aquecimento

Utilize este botão para ativar o sistema de aquecimento. Quando a luz localizada acima do botão de aquecimento estiver vermelha, significa que o sistema de aquecimento está ativo. Quando a luz estiver verde, significa que a água está na temperatura definida e o sistema de aquecimento está em repouso.

**NOTA:** Se o sistema de aquecimento for ativado, o sistema de filtração irá iniciar automaticamente.

**NOTA:** Após desligar o sistema de aquecimento, o sistema de filtração irá continuar a funcionar.

### F Botão do Filtro de Água

Este botão liga e desliga a bomba do filtro. A luz localizada acima do Botão do Filtro de Água fica vermelha quando está ativa.

### G Botões de Ajuste da Temperatura

Pressing the Temperature Increase or Decrease buttons will cause the LED to flash. When it is flashing you can adjust to the desired temperature setting. If you hold these buttons down the values will rapidly increase or decrease. The new and desired temperature setting will remain on the LED display for 3 seconds to confirm the new value.

**NOTA:** A temperatura padrão é de 35°C (95°F).

**NOTA:** O ajuste da temperatura varia entre 20°C (68°F) e 40°C (104°F).

### H Botão Ligar/Desligar

Pressione este botão durante 2 segundos para ativar os botões do painel de controlo e a luz ficará verde. Pressione este botão durante 2 segundos para desligar todas as funções ativas no momento.

### I LED do Temporizador de Poupança de Energia

Se o LED pisca, significa que está a configurar a duração do aquecimento.

A luz ficará acesa quando a função de aquecimento começar a funcionar.

Quando o LED pisca, significa que está a configurar o número de horas A PARTIR DE AGORA até o aquecedor ativar. Quando a luz estiver acesa, significa que a função do Temporizador de Poupança de Energia está configurada.

### J Ecrã LED

Uma vez ligado, o LED apresenta a temperatura atual da água automaticamente.

Após 72 horas de filtração (sem utilizar a função do temporizador de poupança de energia), a bomba irá hibernar e piscar "Fim", juntamente com a temperatura da água. Quando a bomba está em hibernação, as funções de aquecimento e de filtração de água estão desativadas. Para reativar a bomba, pressione o botão bloquear/desbloquear durante 3 segundos.

**NOTA:** A taxa de aquecimento da água pode sofrer alterações nas condições mencionadas abaixo.

• Quando a temperatura exterior for inferior a 15°C (59°F).

• Se a cobertura não estiver posicionada quando a função de aquecimento for ativada.

**NOTA:** Para apresentar a temperatura atual da água, opere o sistema de filtro durante pelo menos um minuto. A temperatura da água, quando medida por um termómetro externo, pode variar relativamente à temperatura apresentada no painel do spa até 2°C, aproximadamente.

## Alarmes

Causas	Motivos	Soluções
E01	Os sensores de fluxo de água funcionam sem necessidade de pressionar o botão do filtro ou do aquecimento. 1. As bandeiras dos sensores de fluxo de água não recuaram para a posição correta 2. Os sensores de fluxo de água estão avariados	1. Desligue a ficha cuidadosamente, bata no lado da bomba mas não de forma violenta, e volte a ligar 2. Contacte o seu serviço local de Pós-Vendas Bestway para obter instruções
E02	Depois de começar ou durante as funções de filtração e/ou aquecimento, os sensores de fluxo de água não detetam o fluxo de água. 1. Esqueceu-se de remover os 2 tampões do interior da piscina 2. Os cartuchos dos filtros estão sujos 3. Ative o sistema de filtração ou de aquecimento e coloque a mão em frente ao tubo de saída no interior da piscina, para verificar se sente água a fluir a. Se não existir fluxo de água, a bomba de água está avariada b. A água flui mas o alarme  surge, os sensores de fluxo de água estão avariados	1. Remova os 2 tampões antes do aquecimento, consulte a secção de Montagem no Manual do Utilizador 2. Remova o conjunto de filtro do interior da piscina e pressione o botão do filtro ou do aquecimento. Se não surgir nenhum alarme, limpe ou troque os cartuchos do filtro e instale o conjunto de filtro no interior da piscina. 3. Contacte o seu serviço local de Pós-Vendas Bestway para obter instruções
E03	O termómetro da bomba indica que a temperatura da água é inferior a 4°C (40°F). 1. A temperatura da água é inferior a 4°C (40°F) 2. Se a temperatura da água for superior a 7°C (44,6°F), significa que o termómetro da bomba está avariado	1. O spa não foi concebido para funcionar com água a temperaturas inferiores a 4°C (40°F). Desligue a bomba e reinicie apenas quando a temperatura da água alcançar os 6°C (43°F) 2. Contacte o seu serviço local de Pós-Vendas Bestway para obter instruções
E04	O termómetro da bomba indica que a temperatura da água é superior a 50°C (122°F). 1. A temperatura da água é superior a 50°C (122°F) 2. Se a temperatura da água for inferior a 45°C (113°F), significa que o termómetro da bomba está avariado	1. O spa não foi concebido para funcionar com água a temperaturas superiores a 40°C (104°F). Desligue a bomba e reinicie apenas quando a temperatura da água alcançar os 38°C (100°F) ou inferior. <b>IMPORTANTE:</b> Antes de reiniciar a bomba, pressione o botão de reinício da bomba 2. Contact your local Bestway After Sales service point to get instructions
E05	As ligações do termómetro da bomba estão com problemas. 1. Os conectores do termómetro da bomba não funcionam devidamente 2. O termómetro da bomba está avariado	Contacte o seu serviço local de Pós-Vendas Bestway para obter instruções
E08	O disjuntor térmico de reposição manual tem um problema. O disjuntor térmico de reposição manual disparou	1. Desligue a bomba e prima o botão reiniciar, depois ligue a bomba novamente. 2. Caso o alarme ainda permaneça, verifique a secção do BOTÃO REINICIAR no manual 3. Contacte o seu serviço local de Pós-Venda Bestway para obter instruções.

## MANUTENÇÃO

**NOTA: O seu spa irá necessitar de ar adicional de vez em quando. As diferenças de temperatura entre o dia e a noite causam uma alteração da pressão no spa, e podem originar algum esvaziamento. Por favor, siga as instruções de Montagem e drene o spa antes de encher até à pressão exata necessária.**

**CUIDADO: DEVE CERTIFICAR-SE QUE A BOMBA ESTÁ DESLIGADA ANTES DE INICIAR QUALQUER MANUTENÇÃO, PARA EVITAR O RISCO DE FERIMENTO OU MORTE.**

### Manutenção do Cartucho de Filtro

**NOTE:** Para garantir que a água do seu spa permanece limpa, verifique e limpe os seus cartuchos de filtro todos os dias e siga os passos seguintes.

**NOTE:** Recomendamos que substitua os seus cartuchos de filtro todas as semanas ou, se os cartuchos de filtro permanecerem sujos e descolorados, devem ser substituídos.

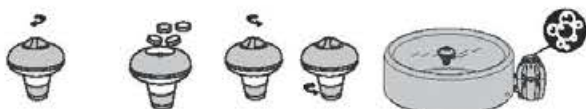
### Manutenção da Água

É necessário manter a água do seu spa limpa e equilibrada quimicamente. Limpar apenas o cartucho de filtro não é suficiente para uma manutenção adequada, recomendamos que utilize químicos de piscina para manter a química da água e pastilhas de cloro ou de bromo (não utilize grânulos) com o flutuador químico.

Como referência, a água deve ser substituída a cada 3 dias. Isto é apenas uma orientação, a qualidade da água é influenciada pela frequência de utilização, pelas pessoas que utilizam o spa e pela manutenção geral.

**Nota:** Recomendamos que tome um banho antes de utilizar o seu Lay-Z-Spa, porque os produtos cosméticos, loções e outros resíduos presentes na pele podem degradar rapidamente a qualidade da água. Para utilizar o flutuador químico, por favor siga as instruções seguintes.

Utilizar pastilhas químicas (não incluído):



Utilizar líquidos químicos (não incluído):



**NOTA:** Retire o flutuador químico do spa quando este estiver em utilização.

**IMPORTANTE:** Após efetuar a manutenção química e antes de utilizar o spa, utilize um kit de teste (não incluído) para testar a química da água.

Recomendamos que mantenha a sua água conforme a tabela seguinte.

pH	Alcalinidade Total	Cloro Livre
7,4-7,6	80-120 ppm	2-4 ppm

**NOTA:** Os danos resultantes de desequilíbrio químico não são abrangidos pela garantia. Os químicos da piscina são potencialmente tóxicos e devem ser manuseados com cuidado. Os vapores químicos e a rotulagem e armazenamento incorretos de recipientes químicos acarretam riscos graves para a saúde. Por favor consulte o seu retalhista local de abastecimento de piscinas para mais informações acerca da manutenção química. Preste especial atenção às instruções do fabricante do químico. Os danos no spa resultantes da utilização indevida de químicos e manutenção negligente da água do spa não são abrangidos pela garantia.

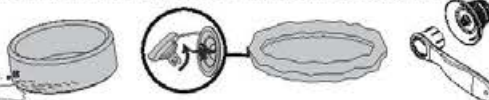
### Ajuste da Válvula de Ar (Apenas Para #54113 #54129 #54154 #54156)

No caso de fuga de ar, verifique primeiro a válvula de ar. Recorrendo a água ensaboadada, cubra a válvula de ar para verificar se há fuga de ar, se existir uma fuga, utilize a chave fornecida para apertar a válvula de ar, seguindo os seguintes passos:

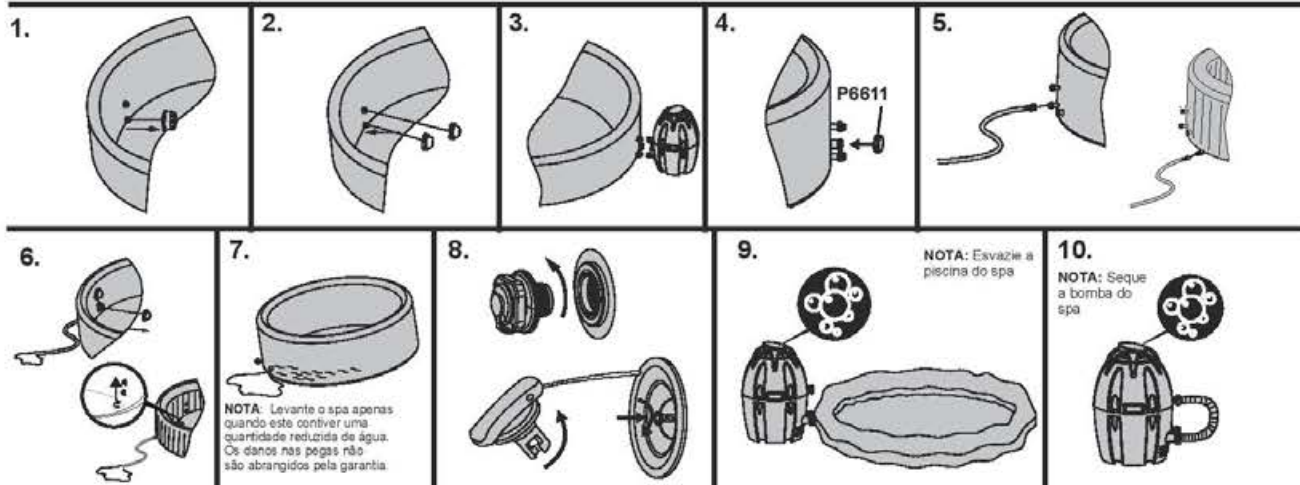
• Com uma mão, segure a parte de trás da válvula de ar a partir da parte interior da parede do spa e rode a chave no sentido dos ponteiros do relógio.

### NOTA:

1. Não aperte em demasia.
2. Verifique sempre a válvula de ar cuidadosamente antes da utilização.
3. Não ajuste o conector da válvula de ar quando o spa estiver em utilização.



## Drenagem do Spa



## Limpeza do spa

Os resíduos de detergentes e sólidos dissolvidos provenientes de fatos de banho e químicos podem acumular-se nas paredes do spa. Utilize sabão e água para limpar as paredes e enxágüe cuidadosamente.

**NOTA: NÃO utilize escovas duras ou produtos abrasivos.**

### Reparação do Spa

#### Para o Spa #54112, #54123, #54148 e cobertura insuflável.

Se o spa estiver rasgado ou furado, utilize o remendo de reparação fornecido.

1. Limpe a área a ser reparada.
2. Descole cuidadosamente o remendo.
3. Pressione o remendo sobre a área a ser reparada.
4. Aguarde 30 segundos antes de encher.

#### Para o Spa #54113, #54129, #54154, #54156 (Não inclui cobertura insuflável)

Se o spa estiver rasgado ou furado, utilize o remendo de reparação de PVC fornecido e cola (não incluída), e siga os passos seguintes:

1. Limpe e seque a área a ser reparada.
2. Corte o remendo de PVC fornecido ao tamanho adequado.
3. Utilize cola (não incluída) para revestir um dos lados do remendo que acabou de cortar. Certifique-se que a cola está distribuída de forma uniforme.
4. Aguarde 30 segundos e depois coloque o remendo que cortou com a cola sobre a área danificada.
5. Alise qualquer bolha de ar que possa ter ficado aprisionada por baixo e pressione firmemente durante dois minutos.
6. O produto está novamente pronto a usar. Repita este processo caso ocorram novas fugas.
7. Aguarde 30 minutos antes de encher.

## Armazenamento do Lay-Z-Spa

Certifique-se que o spa e a bomba estão completamente secos. Isto é fundamental para prolongar a vida do spa. Recomendamos que utilize a bomba para secar o spa, a bomba e os tubos. Remova os conjuntos de filtro e elimine os cartuchos de filtro usados. Volte a prender os dois tampões nas válvulas de entrada e saída do spa. Recorrendo-se que armazene o spa na sua embalagem original e num local quente e seco.

**NOTA:** O plástico torna-se frágil e susceptível a quebras quando exposto a temperaturas abaixo de zero. O frio pode danificar gravemente o spa. Um armazenamento inapropriado do seu spa no inverno pode invalidar a sua garantia.

### Eliminação



Significado do símbolo do caixote de lixo traçado: Não elimine aparelhos elétricos como resíduos municipais indiferenciados, utilize instalações de recolha diferenciada. Contacte o seu governo local para obter informações referentes aos sistemas de recolha disponíveis. Se os aparelhos elétricos forem eliminados em aterros ou lixeiras, podem infiltrar-se substâncias perigosas nos lençóis freáticos e alcançar a cadeia alimentar, danificando a sua saúde e bem-estar. Ao efetuar a substituição de aparelhos velhos por novos, o retalhista está legalmente obrigado a recolher o seu aparelho velho para eliminação sem custos adicionais.

**RESOLUÇÃO DE PROBLEMAS** A Bestway esforça-se por fornecer os spas mais livres de problemas do mercado. Se tiver quaisquer problemas, não hesite em contactar a Bestway ou o seu revendedor autorizado. Seguem-se algumas dicas úteis para o ajudar a diagnosticar e retificar algumas fontes de problemas.

Problemas	Causas Possíveis	Soluções
A bomba não funciona	- Falha de energia - Circuitos de alimentação avariados	- Verifique a fonte de alimentação - Contacte o seu ponto de Serviço Pós-Vendas Bestway local para obter instruções
A bomba não aquece de forma adequada	- A temperatura definida é muito baixa - Cartucho de Filtro Sujo - Corte do disjuntor térmico - O spa não está coberto - O elemento de aquecimento falhou ou o fusível foi cortado	- Para definir uma temperatura mais elevada, consulte a secção do funcionamento da bomba - Para limpar/substituir o cartucho de filtro consulte a secção de limpeza e substituição do cartucho de filtro - Desligue a bomba, e coloque a ficha num local fresco e seco. Reinicie a bomba apenas quando a temperatura da água alcançar os 35°C (95°F) ou inferior - Prenda a cobertura. - Contacte o seu serviço local de Pós-Vendas Bestway para obter instruções
O Sistema Lay-Z-Massage não funciona	- A Bomba de Ar está a sobreaquecer - O Lay-Z-Spa Massage pára automaticamente - A bomba de ar está avariada	- Desligue a bomba e aguarde duas horas até que esta arrefeça. Insira a ficha e pressione o Botão do Sistema Lay-Z-Massage - Pressione o Botão do Sistema Lay-Z-Massage para reativar - Contacte o seu ponto de Serviço Pós-Vendas Bestway local para obter instruções
Os adaptadores da bomba não estão nivelados com os adaptadores do spa	- O Uma característica do PVC é que muda de forma, o que é normal	- Eleve a bomba com madeira ou outro tipo de material isolador para nivelar os adaptadores da bomba com os adaptadores do spa
Fugas na piscina do spa	- O spa está rasgado ou furado - A válvula de ar está solta	- Utilize o remendo de reparação fornecido - Recorrendo a água ensaboada, cubra a válvula de ar para verificar se há fuga de ar, se existir uma fuga, utilize a chave fornecida para apertar a válvula de ar, seguindo os seguintes passos: 1. Desencher o SPA. 2. Com uma mão, segure a parte de trás da válvula de ar a partir da parte interior da parede do spa, e rode a chave no sentido dos ponteiros do relógio.
A água não está limpa	- Tempo de filtração insuficiente - Cartucho de Filtro Sujo - Manutenção inadequada da água	- Aumente o tempo de filtração - Limpe/substitua o Cartucho de Filtro (consulte a secção Limpeza e Substituição do Cartucho de Filtro) - Consulte as instruções do fabricante do químico
O teste PRCD falhou	Há algo de errado com o SPA	Contacte o seu Centro de Serviço Pós-Vendas Bestway local e devolva o SPA.
O painel de controlo não está a funcionar	- O painel de controlo possui um bloqueio automático que é activado após 5 minutos de inactividade. O ecrã LED tem um ícone:  . Se o ícone de bloqueio estiver aceso, isto significa que o painel de controlo está bloqueado. - O painel de controlo não está ativo.	- Para desbloquear o painel de controlo, pressione o botão  durante 3 segundos. Caso o painel de controlo não desbloqueie, reinicie a bomba - desligue e ligue a bomba. - Pressione o botão "Ligar/Desligar" durante 2 segundos. Caso o problema persista, por favor contacte o seu Centro de Serviço Pós-vendas Bestway local para obter instruções.
Que tipo de químicos devem ser utilizados para a manutenção da água?	Consulte o seu fornecedor de químicos local para obter informações sobre manutenção química. Preste especial atenção às instruções do fabricante do químico.	
Existem fugas de água dos adaptadores entre a bomba e o spa	Insira os tampões nas portas do spa para evitar que a água se escape e desligue a bomba. Verifique e certifique-se que os vedantes estão colocados corretamente no interior dos adaptadores da bomba. Caso os vedantes estejam em falta ou não estejam instalados corretamente, contacte o seu ponto de Serviço Pós-Vendas Bestway local para obter instruções. Caso os vedantes estejam instalados corretamente, volte a ligar a bomba ao spa e aperte os adaptadores manualmente.	

# Garantia de Fabricante Limitada BESTWAY®

O produto que adquiriu inclui uma garantia limitada. A Bestway® suporta a nossa garantia de qualidade e assegura, através de uma garantia de substituição, que o seu produto estará livre de defeitos de fabrico.

Para interpor um pedido de garantia, deve preencher este formulário, anexar uma cópia da sua factura de compra e enviá-los para o seu Centro de Pós-Vendas Bestway local. Por favor contacte o seu Centro de Pós-Vendas Bestway antes de enviar quaisquer documentos. Eles fornecerão instruções completas sobre o que é necessário para a sua reclamação. A Bestway® não irá substituir quaisquer produtos considerados danificados devido a negligência ou por terem sido utilizados fora das orientações do manual do proprietário.

A garantia Bestway abrange defeitos de fabrico descobertos durante a desembalagem do produto ou durante a utilização, como recomendado pelo manual do utilizador. Esta garantia aplica-se apenas a produtos que não tenham sido modificados por terceiros. O produto deve ser armazenado e manuseado de acordo com as recomendações técnicas.

A garantia não cobre danos causados por má utilização, abuso, negligência, incluindo mas não limitado a colisão, fogo, utilização de voltagem incorrecta, exposição excessiva ao calor, instalação indevida, cablagem ou testes indevidos, ou armazenamento indevido.

As substituições e reparações não prolongam a duração da garantia. A data de início da garantia corresponde à data indicada no recibo/factura de compra original.

Por favor escolha o seu SPA



PARA: Departamento de Serviço Bestway®

Data de compra: \_\_\_\_\_

DATA \_\_\_\_\_

Código Numérico de Cliente: \_\_\_\_\_

FAX/E-MAIL/TEL: Por favor refira-se ao seu país de acordo com a informação que encontrará no verso ou no nosso website: [www.bestwaycorp.com](http://www.bestwaycorp.com)

Forneça os dados da sua morada completa. **Nota:** Dados incompletos relativos à morada resultarão em atrasos nos envios.

A Bestway reserva-se o direito de cobrar o reenvio de embalagens não entregues por responsabilidade do destinatário.

## INFORMAÇÃO NECESSÁRIA - POR FAVOR PREENCHA A MORADA DE ENTREGA

Nome: \_\_\_\_\_ Morada: \_\_\_\_\_

Código postal: \_\_\_\_\_ Retalhista: \_\_\_\_\_

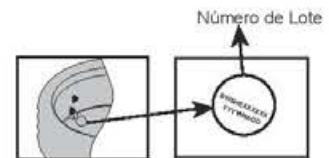
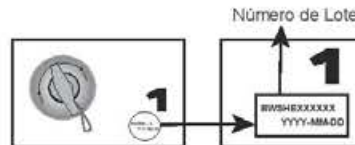
País: \_\_\_\_\_ Cidade: \_\_\_\_\_

Telemóvel: \_\_\_\_\_ Telefone: \_\_\_\_\_

Fax: \_\_\_\_\_ E-mail: \_\_\_\_\_

Número de Lote da BOMBA do SPA: \_\_\_\_\_ Número de Lote da Piscina do SPA: \_\_\_\_\_

Código de Item da BOMBA do SPA: \_\_\_\_\_



Todos os desenhos servem apenas para fins ilustrativos. Não está à escala.

LAY-Z-SPA Vegas / Paris

### Descrição do Problema

- Fugas no Spa       Sistema de Filtração de Água não funciona       Sistema de Aquecimento não funciona  
 Painel de controlo apresenta uma falha que não pode ser resolvida       Sistema Lay-Z-Massage não funciona  
 Fugas na Bomba       Fugas no adaptador       Peças em Falta – Por favor use o código para a peça em falta, este pode ser encontrado no manual do proprietário.  
 Outro (Por favor descreva)

IMPORTANTE: APENAS A PEÇA DANIFICADA SERÁ SUBSTITUÍDA, NÃO O CONJUNTO COMPLETO.

A Bestway reserva-se o direito de solicitar provas fotográficas das peças defeituosas, ou solicitar o envio do item para testes adicionais.

De forma a poder ajudá-lo melhor, pedimos que toda a informação que forneça esteja completa.

PARA TER ACESSO ÀS PERGUNTAS FREQUENTES, MANUAIS, VIDEOS OU PEÇAS DE SUBSTITUIÇÃO, POR FAVOR VISITE A NOSSA PÁGINA [www.bestwaycorp.com](http://www.bestwaycorp.com). OS VIDEOS ESTÃO TAMBÉM DISPONÍVEIS NO NOSSO CANAL BESTWAY NO YOU TUBE: [www.youtube.com/user/BestwayService](http://www.youtube.com/user/BestwayService).

# CONTENIDOS

Visite el canal de YouTube de Bestway

<b>1. Instrucciones de seguridad</b> . P32	<b>5. Mantenimiento</b> .....P44
<b>2. Especificaciones</b> ..... P35	Mantenimiento del cartucho de filtro
<b>3. Instalación</b> ..... P38	Mantenimiento del agua
Ubicación elegida	Ajuste de la válvula de aire
Prueba de la bomba	Vaciado del hidromasaje
<b>4. Funcionamiento de la bomba</b> .P43	Limpieza del hidromasaje
Reinicio del calentamiento	Reparación del hidromasaje
Panel de control	Almacenamiento del Lay-Z-Spa
Alarmas	Eliminación
	<b>6. Resolución de problemas</b> .... P45
	<b>7. Garantía</b> ..... P46



## INSTRUCCIONES DE SEGURIDAD

Durante la instalación y el uso de este aparato eléctrico, han de respetarse las precauciones de seguridad básicas, entre las que se incluyen las siguientes:

**INSTRUCCIONES DE SEGURIDAD IMPORTANTES - LEA Y SIGA TODAS LAS INSTRUCCIONES.**

### ADVERTENCIA:

- El hidromasaje debe estar equipada con un transformador aislante o recibir alimentación eléctrica a través de un dispositivo diferencial residual (RCD) con una intensidad de corriente de régimen nominal no superior a 30 mA.
  - Se recomienda probar la bomba antes del uso; para ello, siga las instrucciones relativas a la bomba.
  - Si el cable de alimentación presenta daños, debe ser sustituido por el fabricante, por un técnico cualificado o por cualquier persona autorizada para evitar cualquier peligro.
  - Para reducir el riesgo de descargas eléctricas, no utilice cables alargadores para conectar la unidad a la red eléctrica; busque una toma bien ubicada.
  - No debe colocarse ninguna parte del equipo sobre el hidromasaje durante el uso.
  - Los componentes con piezas conductoras, a excepción de las piezas suministradas con una tensión de seguridad muy baja no superior a 12 V, deben quedar fuera del alcance de cualquier persona que se encuentre en el interior de la piscina de hidromasaje. Las piezas con componentes eléctricos, excepto los dispositivos de control remoto, deben ubicarse o fijarse de tal forma que no puedan caer en el interior de la piscina de hidromasaje.
  - El hidromasaje debe estar equipado con una fuente de alimentación con toma de tierra.
  - **Advertencia: Mantenga el enchufe siempre seco. Queda terminantemente prohibido enchufar el producto con el enchufe mojado.**
  - Deberá ser posible acceder al enchufe después de la instalación del hidromasaje.
- PRECAUCIÓN:** Para evitar posibles peligros debidos a un restablecimiento inadvertido del disyuntor térmico, el equipo no debe recibir alimentación a través de un dispositivo externo, como un temporizador, o estar conectado a un circuito que se encienda o apague a través del equipo.
- Después de usar el hidromasaje durante 3-5 años, contacte con un técnico de mantenimiento cualificado local para garantizar la seguridad y el rendimiento del hidromasaje. Los componentes principales, como los calentadores, el motor de aire y las válvulas de no retorno de la unidad eléctrica, deben comprobarlos y reemplazarlos (si fuera necesario) profesionales cualificados.
- **PARA EVITAR EL RIESGO DE DESCARGA ELÉCTRICA, NO UTILICE EL HIDROMASAJE MIENTRAS LLUEVE.**
  - No lleve puestas sus lentes de contacto cuando utilice el hidromasaje.
  - No utilice el hidromasaje durante el mantenimiento químico.
  - La toma de alimentación en la pared del edificio deberá estar situada a más de 4 m de la piscina y a una altura mínima de 1,2 m.
  - Prohibido el uso de cables de prolongación.
  - No enchufe ni desenchufe el aparato con las manos húmedas.
  - Desenchufe siempre el aparato:
    - en los días lluviosos
    - antes de limpiar o realizar otras operaciones de mantenimiento
    - si queda sin supervisión durante las vacaciones
  - La limpieza y el mantenimiento son operaciones que deberá realizar un adulto mayor de 18 años familiarizado con el riesgo de descargas eléctricas.
  - Cuando el aparato no se vaya a utilizar durante un tiempo (por ejemplo, en invierno), el kit de hidromasaje o piscina debe guardarse en el interior.
  - **Advertencia:** Lea las instrucciones antes de usar el aparato, durante la instalación o un nuevo montaje.



- Guarde las instrucciones en un lugar seguro. Si pierde las instrucciones, póngase en contacto con el fabricante o búsquelas en la página web [www.bestwaycorp.com](http://www.bestwaycorp.com)
- **Advertencia: Por motivos de seguridad eléctrica, se ha integrado en el cable eléctrico un dispositivo PRCD; si la fuga de corriente detectada es superior a 10 mA, el dispositivo cortará la alimentación eléctrica. Si se da esta situación, debe desenchufar el hidromasaje y dejar de usarlo de inmediato. No restablezca el aparato por su cuenta. Debe ponerse en contacto con el servicio técnico local para que compruebe y repare el producto.**
- Este aparato puede ser utilizado por niños mayores de 8 años y personas con capacidades físicas, sensoriales o mentales disminuidas o con falta de experiencia y conocimiento si cuentan con la supervisión adecuada o reciben instrucciones precisas respecto al uso del aparato de una forma segura y comprenden los riesgos asociados. No permita que los niños jueguen con el aparato. Las operaciones de limpieza y mantenimiento no deben ser realizadas por niños sin supervisión. (Para el mercado de la UE) Este aparato no está pensado para ser utilizado por personas (incluidos niños) con capacidades físicas, sensoriales o mentales reducidas o con falta de experiencia y conocimiento, a no ser que sea bajo supervisión o después de recibir instrucciones precisas respecto al uso del aparato de una persona responsable de su seguridad. En presencia de niños, mantenga el aparato bajo control para evitar que jueguen con él. (Solo para mercados distintos de la UE)
- El agua atrae a los niños: cubra el hidromasaje después de cada uso.
- No entierre cables. Coloque el cable de manera que no pueda ser dañado por cortacéspedes, cortasetos y otros equipos.
- Riesgo de ahogamiento accidental. Extreme las precauciones para evitar el uso no autorizado de los niños. Para evitar accidentes, asegúrese de que los niños utilicen el hidromasaje única y exclusivamente cuando cuenten con la supervisión de un adulto en todo momento.
- **RIESGO DE DAÑOS.** Nunca ponga en marcha el hidromasaje si los tubos de entrada / salida están rotos o ausentes. No intente reemplazar los tubos de entrada / salida. Consulte siempre con su centro de servicios posventa local.
- **RIESGO DE DESCARGAS ELÉCTRICAS.** Instale como mínimo a 2 m de cualquier superficie metálica.
- **RIESGO DE DESCARGAS ELÉCTRICAS.** No ponga en marcha ningún dispositivo eléctrico cuando esté dentro del hidromasaje o cuando su cuerpo esté mojado. No coloque ningún dispositivo eléctrico (lámparas, teléfonos, radios o tv) a menos de 2 m del hidromasaje.
- Sumergirse en agua caliente durante el embarazo puede provocar daños en el feto. Limite el uso a 10 minutos cada vez.
- **PARA REDUCIR EL RIESGO DE LESIONES:**
  - A. El agua del hidromasaje no debe exceder en ningún caso los 40°C (104°F). Las temperaturas del agua comprendidas entre los 38°C (100°F) y los 40°C (104°F) se consideran seguras para un adulto sano. Las temperaturas más bajas están recomendadas para niños y cuando el tiempo de uso del hidromasaje sobrepasa los 10 minutos.
  - B. Ya que las temperaturas muy elevadas tienen muchas posibilidades de causar daños fetales durante los primeros meses del embarazo, las mujeres embarazadas o que sospechen que están embarazadas deben limitar la temperatura del agua del hidromasaje a 38°C (100°F).
  - C. Antes de entrar en el hidromasaje, el usuario debería medir la temperatura del agua con un termómetro de precisión, puesto que la tolerancia de los dispositivos de regulación de la temperatura del agua varía.
  - D. El consumo de alcohol, drogas o fármacos antes o durante el uso del hidromasaje puede provocar inconsciencia con la posibilidad de ahogamiento.
  - E. Las personas obesas y las personas con afecciones cardíacas, presión arterial alta o baja, problemas del sistema circulatorio o diabetes deberían consultar con un médico antes de utilizar un hidromasaje.
  - F. En caso de consumo de fármacos consulte con un médico antes de utilizar el hidromasaje, ya que algunos fármacos pueden provocar somnolencia y otros pueden afectar a la frecuencia cardíaca, la presión arterial y la circulación.
- **PARA REDUCIR EL RIESGO DE LESIONES:** No vierta agua con una temperatura superior a 40°C (104°F) directamente en el hidromasaje.
- El consumo de alcohol, drogas o medicación puede incrementar de manera importante el riesgo de hipertermia fatal. La hipertermia es un fenómeno que se produce cuando la temperatura interna del cuerpo supera en varios grados la temperatura corporal normal de 37°C (98,6°F). Los síntomas de la hipertermia incluyen un incremento en la temperatura interna del cuerpo, mareo, letargo, somnolencia y desvanecimiento. Los efectos de la hipertermia incluyen incapacidad para percibir el calor; incapacidad para reconocer la necesidad de salir del jacuzzi o hidromasaje; inconsciencia respecto a un peligro

inminente; daño fetal en mujeres embarazadas; incapacidad física para salir del hidromasaje o jacuzzi y pérdida de conocimiento que puede resultar en peligro de ahogamiento.

- Las instalaciones eléctricas deben cumplir la normativa nacional en materia de cableado. Consulte con un electricista cualificado para cualquier duda relacionada.

### CONSULTE CON SU MÉDICO PARA RESOLVER DUDAS.

#### PRECAUCIÓN:

- El hidromasaje no debe instalarse o dejarse en ambientes con una temperatura inferior a 4°C (40°F).
- No deje el hidromasaje sin supervisión.
- Aquellas personas con enfermedades infecciosas no deberían utilizar un hidromasaje.
- No utilice el hidromasaje inmediatamente después de practicar una actividad intensa.
- Entre y salga del hidromasaje despacio y con cuidado. Las superficies húmedas son resbaladizas.
- Para evitar dañar la bomba, el hidromasaje nunca debe ponerse en funcionamiento a menos que esté lleno de agua.
- Salga inmediatamente del hidromasaje si se siente incómodo o somnoliento.
- En ningún caso añada agua a los productos químicos. Añada siempre los productos químicos al agua para evitar vapores o reacciones violentas que puedan provocar vapores químicos peligrosos.
- Por lo que respecta a la información relativa a la limpieza, el mantenimiento y la eliminación del agua, consulte la sección "MANTENIMIENTO".
- Por lo que respecta a la información relativa a la instalación, consulte el párrafo siguiente del manual.

#### NOTA:

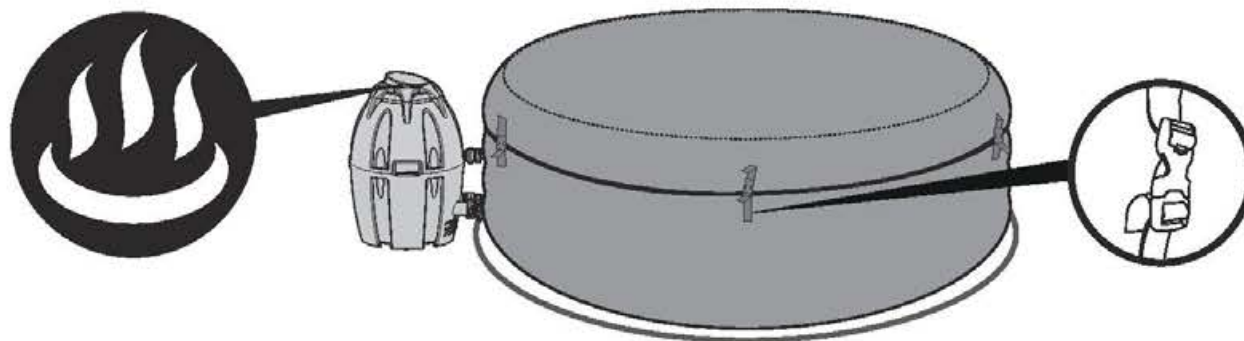
- Revise el equipo antes del uso. Informe a Bestway mediante la dirección de atención al cliente proporcionada en este manual para cualquier daño o pieza ausente en el momento de la compra. Compruebe que los componentes del equipo sean los correspondientes al modelo que quiere adquirir.
- Este producto no es apto para usos comerciales.

## CONSERVE ESTAS INSTRUCCIONES

### ¡IMPORTANTE!

Para alcanzar 40 °C (104 °F), la duración de calentamiento requerida depende de la temperatura del agua al inicio y de la temperatura ambiente. Los datos siguientes deben considerarse solo una referencia. Para visualizar la temperatura actual del agua, ponga en funcionamiento el sistema de filtrado durante un minuto por lo menos.

Temperatura ambiente	Temperatura del agua	Temperatura programada	Duración del calentamiento
10°C(50°F)	10°C(50°F)	40°C(104°F)	18,5h
15°C(59°F)	15°C(59°F)	40°C(104°F)	15h
20°C(68°F)	20°C(68°F)	40°C(104°F)	11,5h
25°C(77°F)	25°C(77°F)	40°C(104°F)	8,5h
30°C(86°F)	30°C(86°F)	40°C(104°F)	5,5h

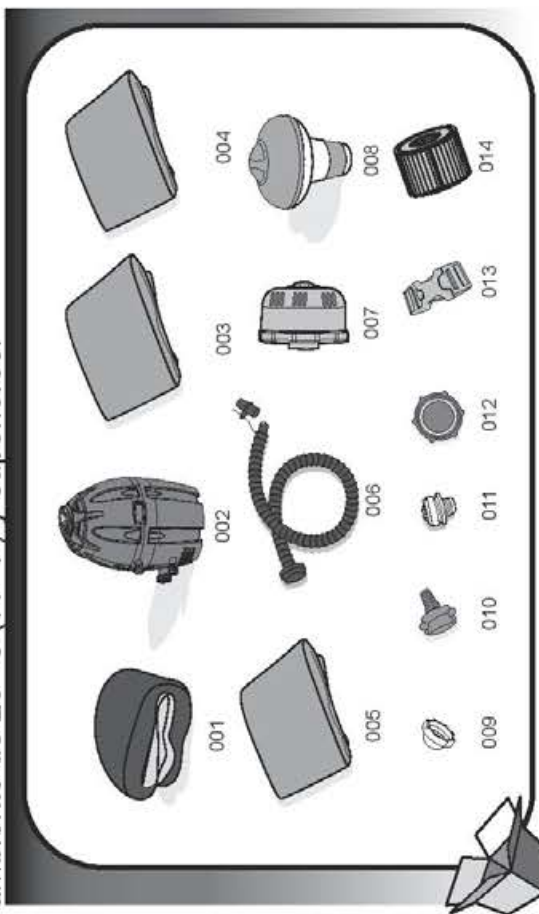


Asegúrese de cubrir el hidromasaje con su cubierta cuando la función de calentamiento esté activa. Dejar el hidromasaje descubierto aumentará el tiempo de calentamiento necesario. No utilice el hidromasaje cuando la temperatura ambiente sea inferior a 4 °C (39 °F).

## ESPECIFICACIONES DE LAY-Z-SPA™ VEGAS AirJet (#54112)

Capacidad:	4-5 adultos	Generador de aire para masaje:	800 W	Calentamiento aumentado:	Aproximadamente 1,5-2°C/h (3-4 °F/h)
Capacidad de agua (al 80%):	935 L (247 gal)	Elemento de calefacción:	2.000 W a 20 °C	Flujo de agua real:	1.325 L/h (350 gal/h)
Dimensiones inflado:	1,96 m x 61cm (77" x 24")	Bomba:	50 W Circulación bomba de filtrado	Clasificación de potencia:	220-240 V AC, 2.050W a 20 °C
Peso lleno:	966 kg (2.130 Lb)	Capacidad de temperatura:	40 °C (104 °F)	Presión de trabajo:	0,8PSI (0,055Bar)

**NOTA:** La velocidad de calentamiento anterior se basa en pruebas de laboratorio llevadas a cabo a una temperatura ambiente de 25 °C (77 °F) y superiores.



N.º de pieza	Código de pieza	Descripción	CANT.
001	54112TASS15	Revestimiento de piscina	1
002	P4H054ASS17	Calentador de hidromasaje	1
003	P5H284GASS17	Cubierta de imitación piel superior	1
004	P5H284TASS17	Cubierta de imitación piel del revestimiento	1
005	54112GASS15	Cubierta inflable	1
006	P6931	Tubo de inflado	1
007	P6653	Conjunto de filtro	1
008	58426S17	Flotador químico	1
009	P6575	Topes	2
010	P6932	Adaptador de tubo	1
011	F4A0244ASS	Válvula roscada	1
012	P6611	Cubierta del adaptador A	1
013	F6414ASS	Arnés	8
014	58323	Cartucho de filtro (VI)	2

## ESPECIFICACIONES DE LAY-Z-SPA™ MONACO AirJet (#54113)

Capacidad:	6-8 adultos	Generador de aire para masaje:	800 W	Calentamiento aumentado:	Aproximadamente 1,01-1,5°C/h (2-3 °F/h)
Capacidad de agua (al 80%):	1.463 L (384 gal.)	Elemento de calefacción:	2.000W a 20 °C	Flujo de agua real:	1.325 L/h (350 gal/h)
Dimensiones inflado:	2,01 m x 69 cm (79" x 27")	Bomba:	50 W Circulación bomba de filtrado	Clasificación de potencia:	220-240 V AC, 2.050 W a 20 °C
Peso lleno:	1.490 kg (3.284 Lb)	Capacidad de temperatura:	40°C (104 °F)	Presión de trabajo:	7PSI-10PSI (0,48 Bar-0,69 Bar)

**NOTA:** La velocidad de calentamiento anterior se basa en pruebas de laboratorio llevadas a cabo a una temperatura ambiente de 25 °C (77 °F) y superiores.

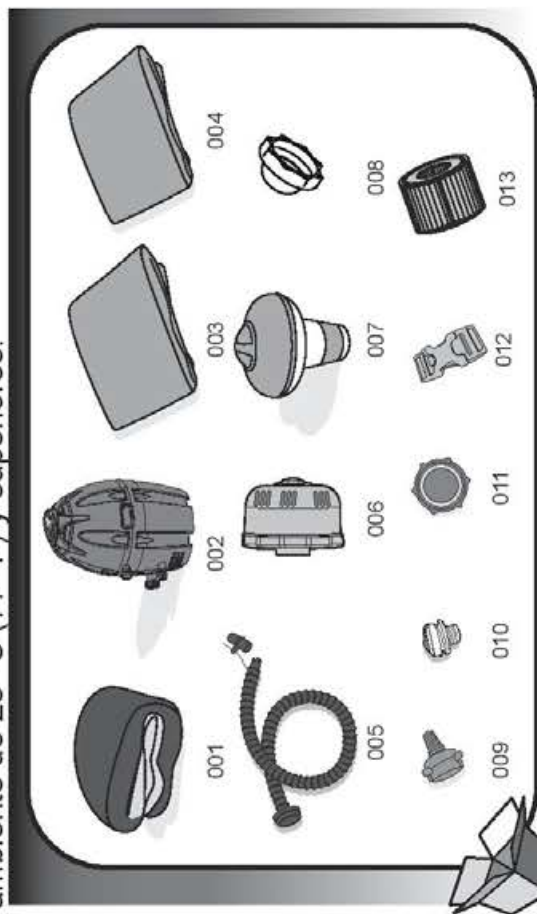


N.º de pieza	Código de pieza	Descripción	CANT.
001	54113TASS17	Revestimiento de piscina	1
002	P4D148ASS17	Calentador de hidromasaje	1
003	P5D288ASS17	Cubierta de imitación piel superior	1
004	54113GASS17	Cubierta inflable	1
005	P6931	Tubo de inflado	1
006	P6653	Conjunto de filtro	1
007	58426S17	Flotador químico	1
008	P3054Q17	Bomba de mano de alta presión	1
009	F6H189ASS15	Llave	1
010	P6575	Topes	2
011	P6932	Adaptador de tubo	1
012	P6608	Manómetro	1
013	P6611	Cubierta del adaptador A	1
014	12632ASS15	Coines inflados	4
015	P6H-971	Válvula de inflado	1
016	F6414ASS	Arnés	6
017	58323	Cartucho de filtro (VI)	2

## ESPECIFICACIONES DE LAY-Z-SPA™ MIAMI AirJet (#54123)

Capacidad:	2-4 adultos	Generador de aire para masaje:	800 W	Calentamiento aumentado:	Aproximadamente 1,5-2 °C/h (3-4 °F/h)
Capacidad de agua (al 80%):	669 L (177 gal)	Elemento de calefacción:	2.000 W a 20 °C	Flujo de agua real:	1.325 L/h (350 gal/h)
Dimensiones inflado:	1,80 m x 66 cm (71" x 26")	Bomba:	50 W Circulación bomba de filtrado	Clasificación de potencia:	220-240 V AC, 2.050 W a 20 °C
Peso lleno:	696 kg (1.534 Lb)	Capacidad de temperatura:	40 °C (104 °F)	Presión de trabajo:	0,8 PSI (0,055 Bar)

**NOTA:** La velocidad de calentamiento anterior se basa en pruebas de laboratorio llevadas a cabo a una temperatura ambiente de 25 °C (77 °F) y superiores.

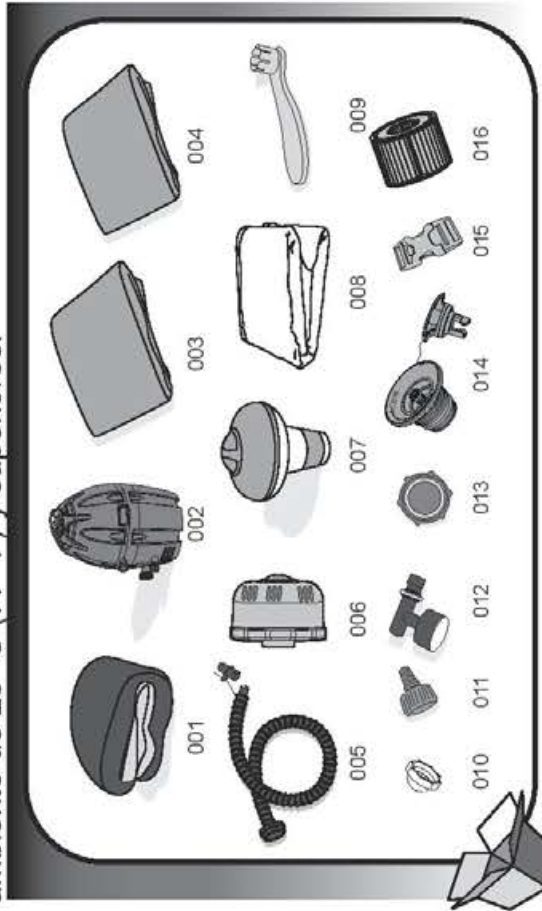


N.º de pieza	Código de pieza	Descripción	CANT.
001	54123TASS17	Revestimiento de piscina	1
002	P4H054ASS17	Calentador de hidromasaje	1
003	P5C364ASS17	Cubierta de refuerzo superior	1
004	54123GASS17	Cubierta inflable	1
005	P6931	Tubo de inflado	1
006	P6653	Conjunto de filtro	1
007	58426S17	Flotador químico	1
008	P6575	Topes	2
009	P6932	Adaptador de tubo	1
010	F4024ASS	Válvula roscada	1
011	P6611	Cubierta del adaptador A	1
012	F6414ASS	Arnés	6
013	58323	Cartucho de filtro (VI)	2

## ESPECIFICACIONES DE LAY-Z-SPA™ PALM SPRINGS AirJet (#54129)

Capacidad:	4-6 adultos	Generador de aire para masaje:	800 W	Calentamiento aumentado:	Aproximadamente 1,5-2 °C/h (3-4 °F/h)
Capacidad de agua (al 80%):	916 L (242 gal)	Elemento de calefacción:	2.000 W a 20 °C	Flujo de agua real:	1.325 L/h (350 gal/h)
Dimensiones inflado:	1,96 m x 71 cm (77" x 28")	Bomba:	50 W Circulación bomba de filtrado	Clasificación de potencia:	220-240 V AC, 2.050 W a 20 °C
Peso lleno:	964 kg (2.103 Lb)	Capacidad de temperatura:	40°C (104 °F)	Presión de trabajo:	1,2 PSI (0,08 Bar)

**NOTA:** La velocidad de calentamiento anterior se basa en pruebas de laboratorio llevadas a cabo a una temperatura ambiente de 25 °C (77 °F) y superiores.

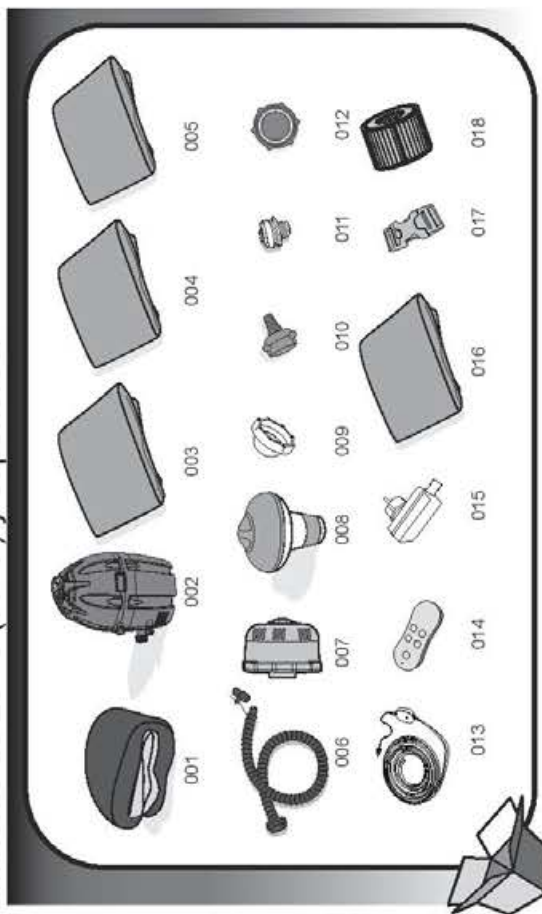


N.º de pieza	Código de pieza	Descripción	CANT.
001	54129TASS17	Revestimiento de piscina	1
002	P4E079ASS17	Calentador de hidromasaje	1
003	P5B401ASS17	Cubierta de imitación piel superior	1
004	54129GASS17	Cubierta inflable	1
005	P6930	Tubo de inflado	1
006	P6653	Conjunto de filtro	1
007	58426S17	Flotador químico	1
008	58321(H)S15	Tapete de la base	1
009	F6H189ASS15	Llave	1
010	P6575	Topes	2
011	P6H565	Adaptador de tubo	1
012	P6T199	Manómetro	1
013	P6611	Cubierta del adaptador A	1
014	P6H971	Válvula de inflado	1
015	F6414ASS	Arnés	6
016	58323	Cartucho de filtro (VI)	2

## ESPECIFICACIONES DE LAY-Z-SPA™ PARIS AirJet (#54148)

Capacidad:	4-6 adultos	Generador de aire para masaje:	800 W	Calentamiento aumentado:	Aproximadamente 1.5-2 °C/h (3-4 °F/h)
Capacidad de agua (al 80%):	805 L (213 gal)	Elemento de calefacción:	2.000 W a 20 °C	Flujo de agua real:	1.325 L/h (350 gal/h)
Dimensiones inflado:	1,96 m x 66 cm (77" x 26")	Bomba:	50 W Circulación bomba de filtrado	Clasificación de potencia:	220-240 V AC, 2.050 W a 20 °C
Peso lleno:	840 kg (1.851 Lb)	Capacidad de temperatura:	40 °C (104 °F)	Presión de trabajo:	0,8 PSI (0,055 Bar)

**NOTA:** La velocidad de calentamiento anterior se basa en pruebas de laboratorio llevadas a cabo a una temperatura ambiente de 25 °C (77 °F) y superiores.

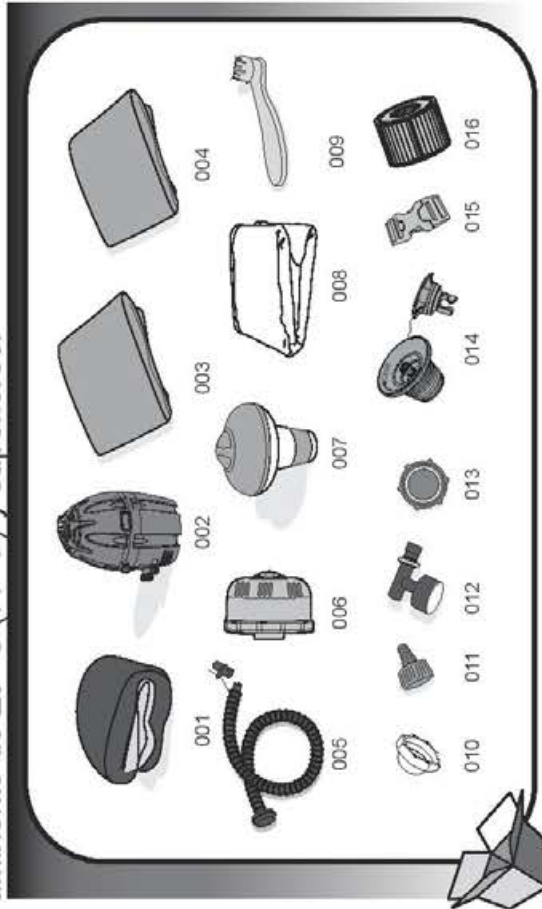


N.º de pieza	Código de pieza	Descripción	CANT.
001	54148TASS16	Revestimiento de piscina	1
002	P4H054ASS17	Calentador de hidromasaje	1
003	P5H284GASS17	Cubierta de imitación piel superior	1
004	P5H513TASS17	Cubierta de imitación piel del revestimiento	1
005	54148GASS16	Cubierta inflable	1
006	P6931	Tubo de inflado	1
007	P6653	Conjunto de filtro	1
008	58426S17	Flotador químico	1
009	P6575	Topes	2
010	P6932	Adaptador de tubo	1
011	F4A024ASS	Válvula roscada	1
012	P6611	Cubierta del adaptador A	1
013	P61670	Banda LED	1
014	P61232	Control remoto	1
015	P61671	Transformador	1
016	58321(H)S15	Tapete de la base	1
017	F6414ASS	Arnés	8
018	58323	Cartucho de filtro (VI)	2

## ESPECIFICACIONES DE LAY-Z-SPA™ Hawaii AirJet (#54154)

Capacidad:	4-6 adultos	Generador de aire para masaje:	800 W	Calentamiento aumentado:	Aproximadamente 1.5-2 °C/h (3-4 °F)
Capacidad de agua (al 80%):	840 L (222 gal.)	Elemento de calefacción:	2.000 W a 20 °C	Flujo de agua real:	1.325 L/h (350 gal/h)
Dimensiones inflado:	1,9 m x 1,8 m x 71 cm (71" x 71" x 28")	Bomba:	50 W Circulación bomba de filtrado	Clasificación de potencia:	220-240 V AC, 2.050 W a 20 °C
Peso lleno:	879 kg (1.938 Lb)	Capacidad de temperatura:	40 °C (104 °F)	Presión de trabajo:	1,2 PSI (0,08 Bar)

**NOTA:** La velocidad de calentamiento anterior se basa en pruebas de laboratorio llevadas a cabo a una temperatura ambiente de 25 °C (77 °F) y superiores.

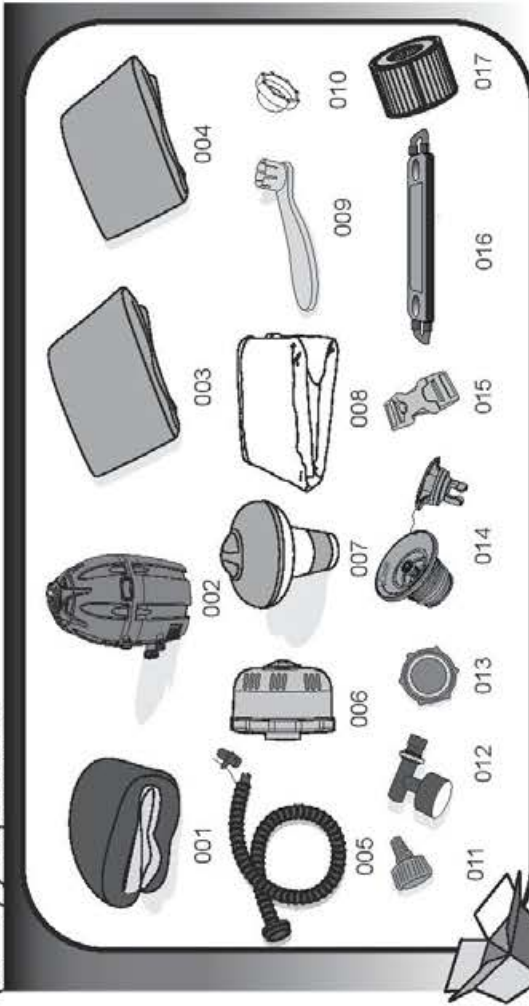


N.º de pieza	Código de pieza	Descripción	CANT.
001	54154TASS17	Revestimiento de piscina	1
002	P4D148ASS17	Calentador de hidromasaje	1
003	P5D588GASS17	Cubierta de imitación piel superior	1
004	54138GASS17	Cubierta inflable	1
005	P6930	Tubo de inflado	1
006	P6653	Conjunto de filtro	1
007	58426S17	Flotador químico	1
008	58371(H)S15	Tapete de la base	1
009	F6H189ASS15	Llave	1
010	P6575	Topes	2
011	P6H565	Adaptador de tubo	1
012	P6H199	Manómetro	1
013	P6611	Cubierta del adaptador A	1
014	P6H971	Válvula de inflado	1
015	F6414ASS	Arnés	8
016	58323	Cartucho de filtro (VI)	2

## ESPECIFICACIONES DE LAY-Z-SPA™ Siena AirJet (#54156)

Capacidad:	2 adultos	Generador de aire para masaje:	800 W	Calentamiento aumentado:	Aproximadamente 2,2,5 °C/h (3,5-4,5 °F/h)
Capacidad de agua (al 80%):	509 L (134 gal.)	Elemento de calefacción:	2.000 W a 20 °C	Flujo de agua real:	1.325 L/h (350 gal/h)
Dimensiones inflado:	2,49 m x 1,49 m x 86 cm (98" x 59" x 26")	Bomba:	50 W/Circulación bomba de filtrado	Clasificación de potencia:	220-240V AC, 2.050 W a 20 °C
Peso lleno:	548 kg (1.205 Lb)	Capacidad de temperatura:	40 °C (104°F)	Presión de trabajo:	1,2 PSI (0,08 Bar)

**NOTA:** La velocidad de calentamiento anterior se basa en pruebas de laboratorio llevadas a cabo a una temperatura ambiente de 25 °C (77 °F) y superiores.



N.º de pieza	Código de pieza	Descripción	CANT.
001	54156TASS17	Revestimiento de piscina	1
002	P4H054ASS17	Calentador de hidromasaje	1
003	P5694ASS17	Cubierta de imitación piel superior	1
004	54156GASS17	Cubierta inflable	1
005	P6930	Tubo de inflado	1
006	P6653	Conjunto de filtro	1
007	58426S17	Flotador químico	1
008	P5696	Tapete de la base	1
009	F6H189ASS15	Llave	1
010	P6675	Topes	2
011	P6H565	Adaptador de tubo	1
012	P61199	Manómetro	1
013	P6611	Cubierta del adaptador A	1
014	P6H971	Válvula de inflado	1
015	F6414ASS	Arnés	8
016	P5595	Mesa para bebidas	1
017	58323	Cartucho de filtro (VI)	2

## INSTALACIÓN

### Ubicación elegida

**ADVERTENCIA:** La ubicación elegida debe poder soportar la carga total.

**ADVERTENCIA:** Se debe proveer un sistema de drenaje adecuado para afrontar posibles inundaciones tanto en las instalaciones en interiores como en las exteriores.

**IMPORTANTE:** Debido al peso del hidromasaje sumado al del agua y los usuarios, es muy importante que el Lay-Z-Spa se instale sobre una base regular, plana y nivelada capaz de soportar de manera uniforme el peso del hidromasaje durante todo el tiempo en que esté instalado (no sobre un tapete u otros materiales similares). Si se instala el Lay-Z-Spa en una superficie que no cumpla con estos requisitos, los daños causados por un soporte inadecuado no estarán cubiertos por la garantía del fabricante. Es responsabilidad del propietario del Lay-Z-Spa asegurar en todo momento la integridad del lugar elegido.

### 1. Instalación en interiores:

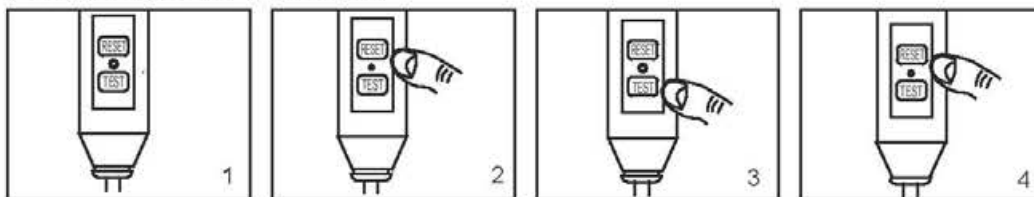
**Consulte los requisitos especiales si instala el hidromasaje en interiores.**

- La humedad es un efecto secundario normal de la instalación del Lay-Z-Spa. Determine los efectos que pueda tener la humedad ambiental en madera, papel, etc. expuestos en el lugar elegido. Para minimizar estos efectos, se recomienda mantener el área elegida correctamente ventilada. Un arquitecto puede ayudarle a determinar si se necesita más ventilación.

### 2. Instalación en exteriores:

- El agua podría salirse del hidromasaje durante el llenado, el vaciado o el uso. Por ello, el Lay-Z-Spa debería instalarse cerca de un desagüe de suelo.
- No exponga la superficie del hidromasaje a la luz directa del sol durante largos períodos de tiempo.

## Prueba de PRCD



**NOTE:** Las ilustraciones se incluyen únicamente a título indicativo. Puede que no se correspondan con el producto real. No a escala.

1. Inserte el enchufe.
2. Pulse el botón de reinicio (RESET): la luz indicadora se encenderá.
3. Pulse el botón de prueba (TEST): la luz indicadora se apagará.
4. Pulse el botón de reinicio (RESET): la luz indicadora se encenderá.
5. Pulse el botón de encendido/apagado ("On/Off") durante 2 segundos: la bomba estará lista para su uso.

**ADVERTENCIA:** Para evitar el riesgo de descarga eléctrica, el enchufe PRCD debe probarse antes de cada uso.

**ADVERTENCIA:** Antes de insertar la clavija en una toma de corriente, asegúrese de que la tensión nominal de la toma de corriente se adapta a la bomba.

**ADVERTENCIA:** Si esta prueba falla no utilice la bomba y póngase en contacto con nuestro Servicio Posventa.



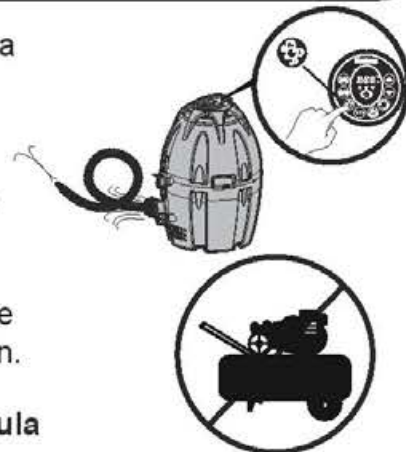
**NOTA:** Durante el inflado, notará que sale un poco de aire de la zona donde el tubo se conecta a la bomba, esto es normal por requisitos técnicos.

**NOTA:** No usar un compresor de aire para inflar la piscina.

**NOTA:** No arrastre la piscina sobre terrenos irregulares, esto podría causar daños en el revestimiento de piscina.

**NOTA:** Tiempo de inflado de referencia.

**NOTA:** El manómetro debe usarse solo para el inflado. Su valor sirve solo como referencia, no debe usarse como instrumento de precisión.

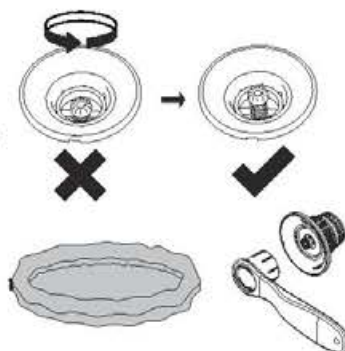


### Comprobación de la válvula de aire (para hidromasajes con válvula de inflado/desinflado rápido)

Compruebe cuidadosamente la válvula de aire antes del inflado para garantizar que no haya ninguna fuga de aire. Si la válvula de aire está suelta, use la llave incluida para apretar la válvula siguiendo estos pasos: sostenga con una mano la parte posterior de la válvula de aire del interior de la pared del hidromasaje y gire la tuerca en sentido horario.

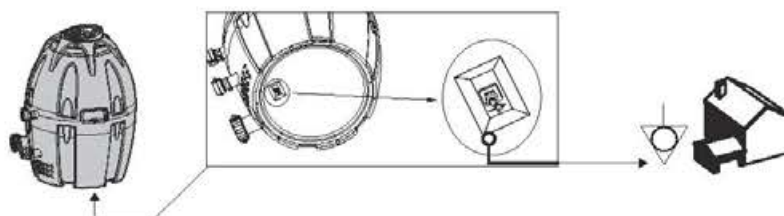
**NOTA:**

1. No apriete en exceso.
2. No ajuste el conector de la válvula de aire cuando el hidromasaje se encuentre en uso.

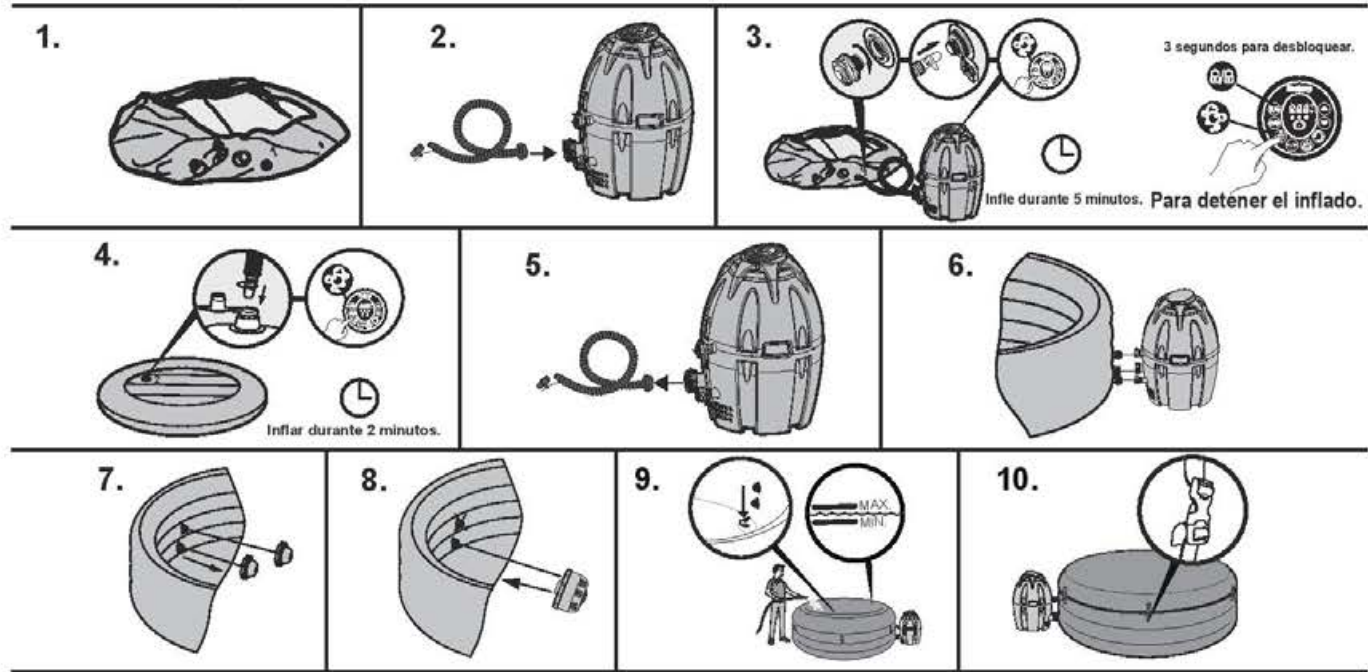


### TERMINAL DE PUESTA A TIERRA EQUIPOTENCIAL DE LA BOMBA DE HIDROMASAJE

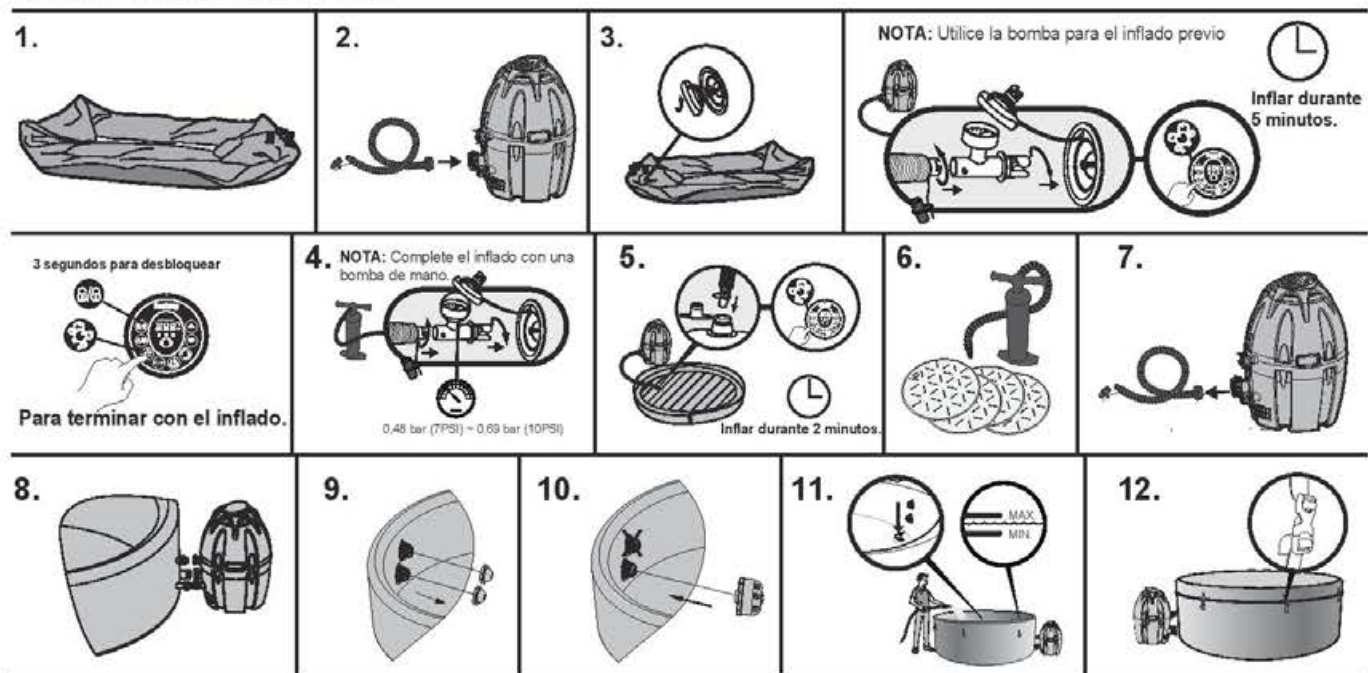
Se recomienda que un electricista cualificado conecte la bomba de hidromasaje a un terminal de toma de tierra mediante un conductor de cobre de (mínimo) 2,5 mm<sup>2</sup>.



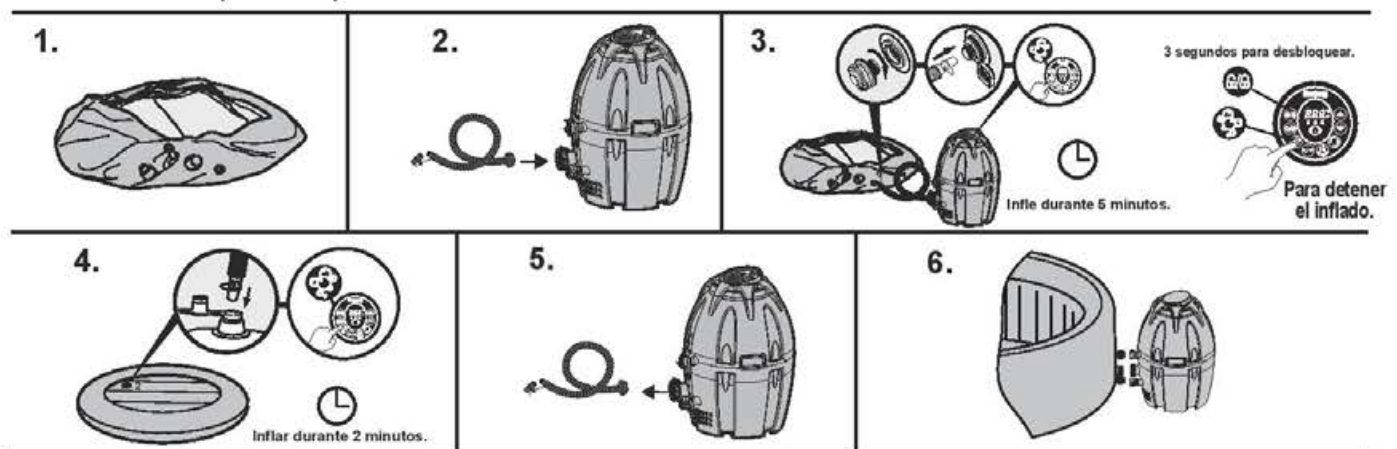
## VEGAS AirJet (#54112)



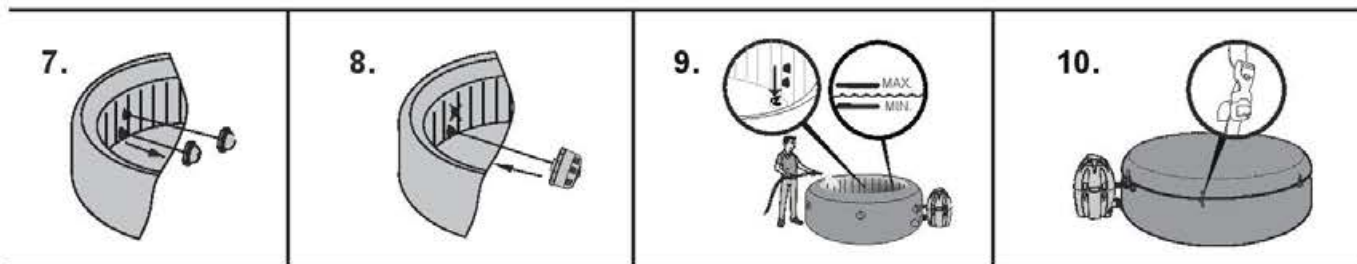
## MONACO AirJet (#54113)



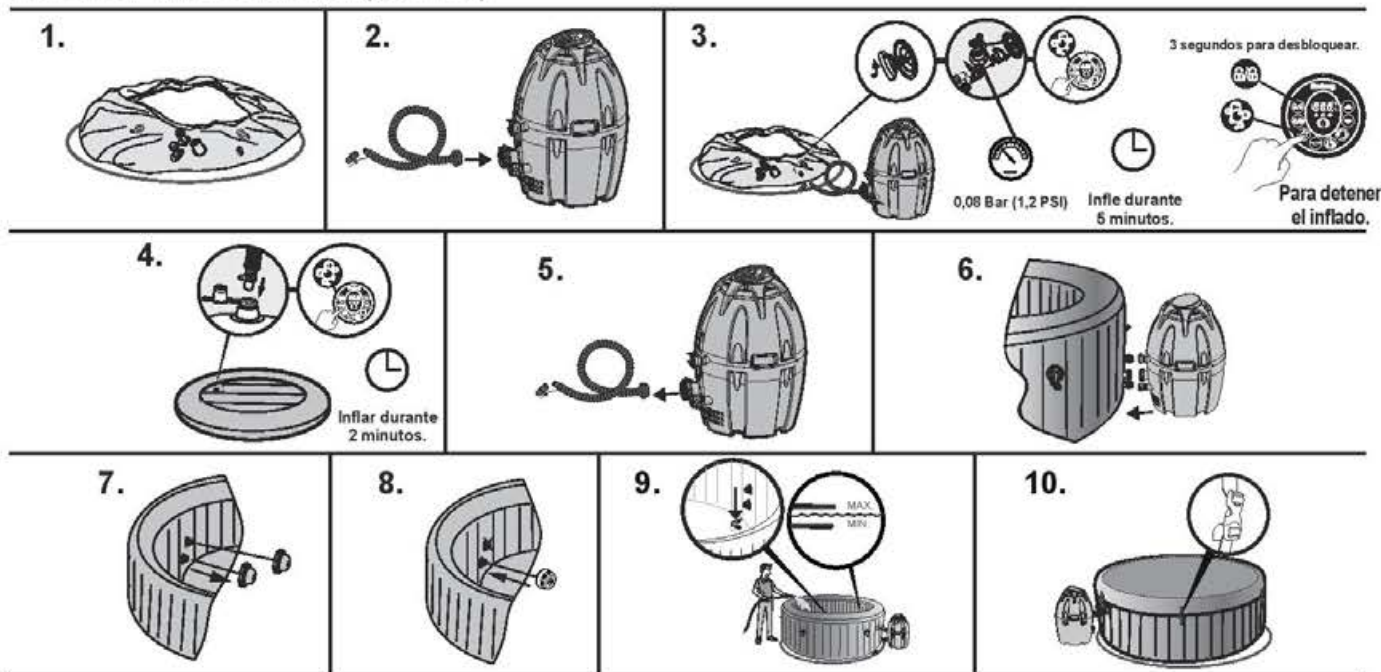
## MIAMI AirJet (#54123)



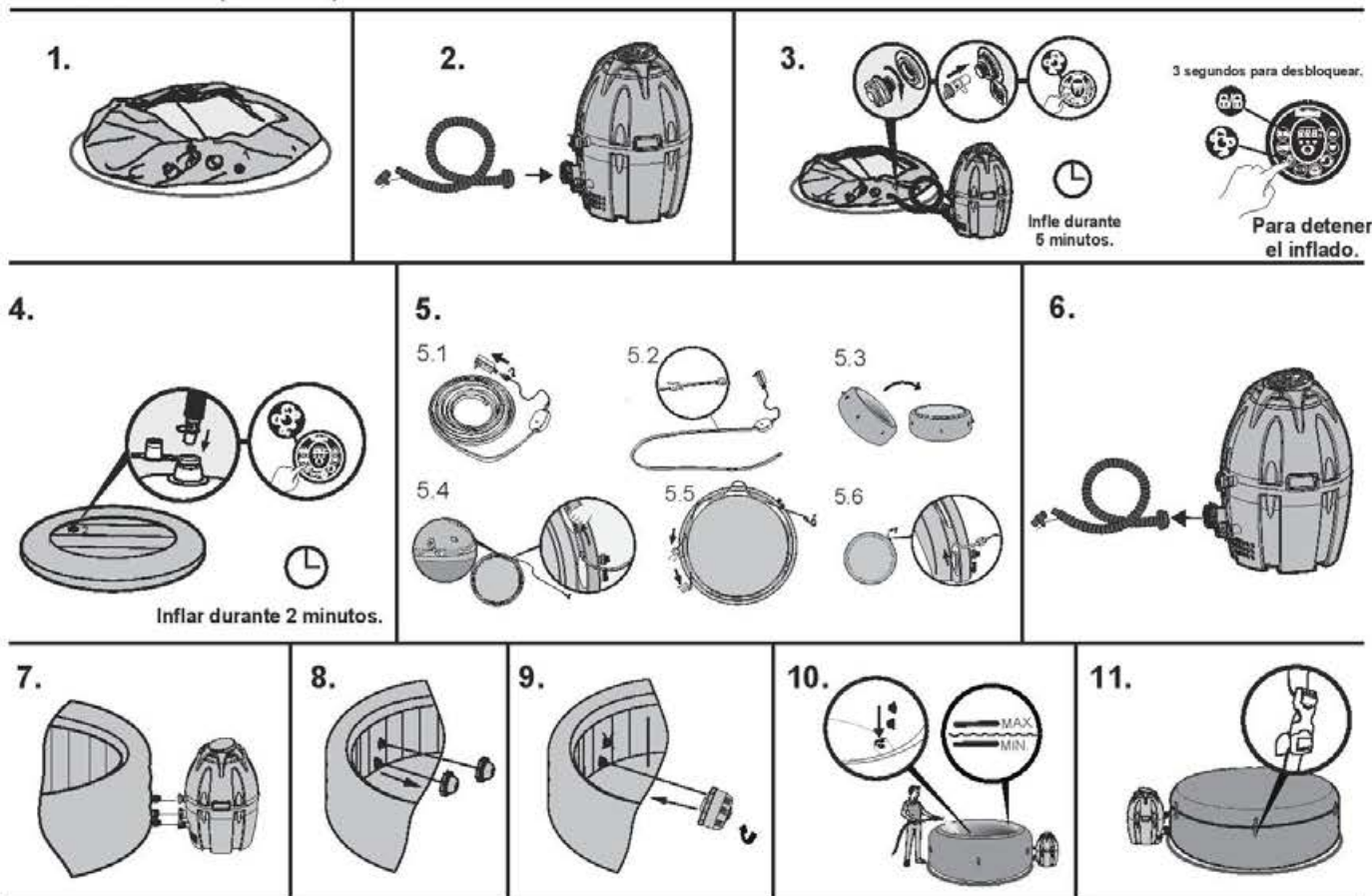




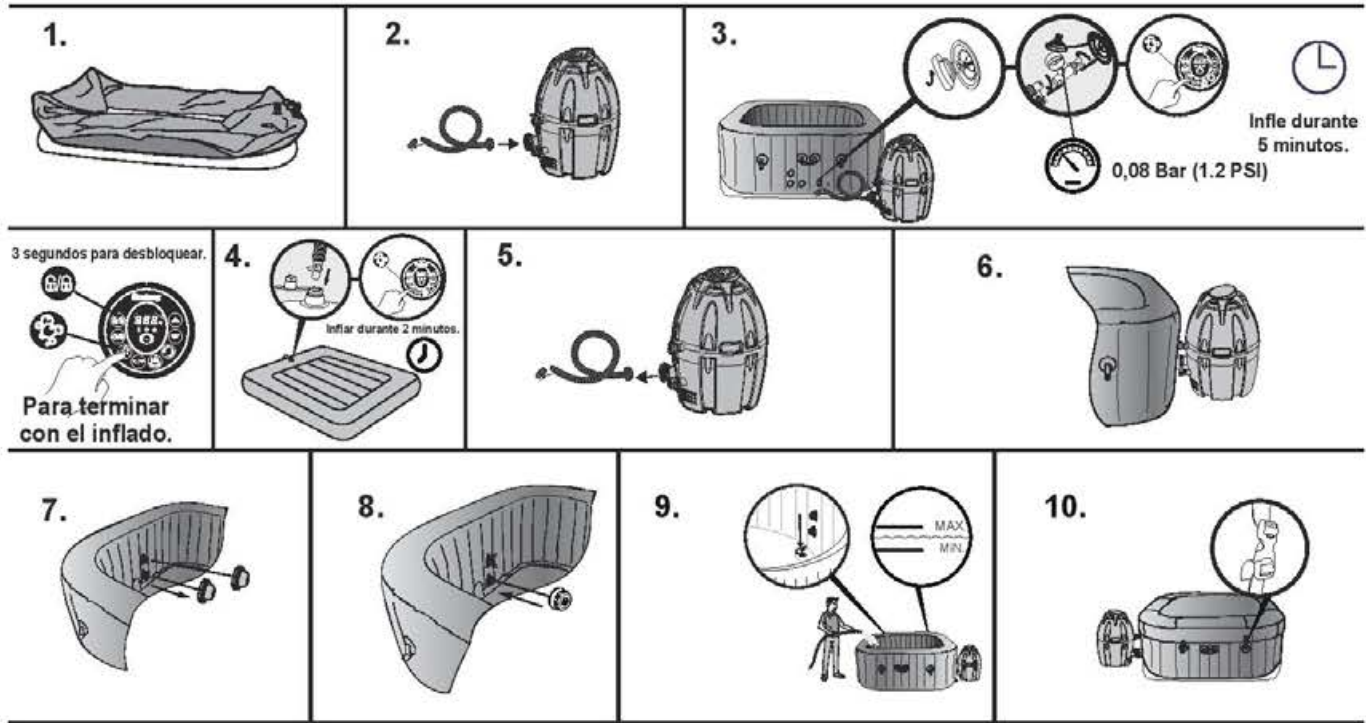
**PALM SPRINGS AirJet (#54129)**



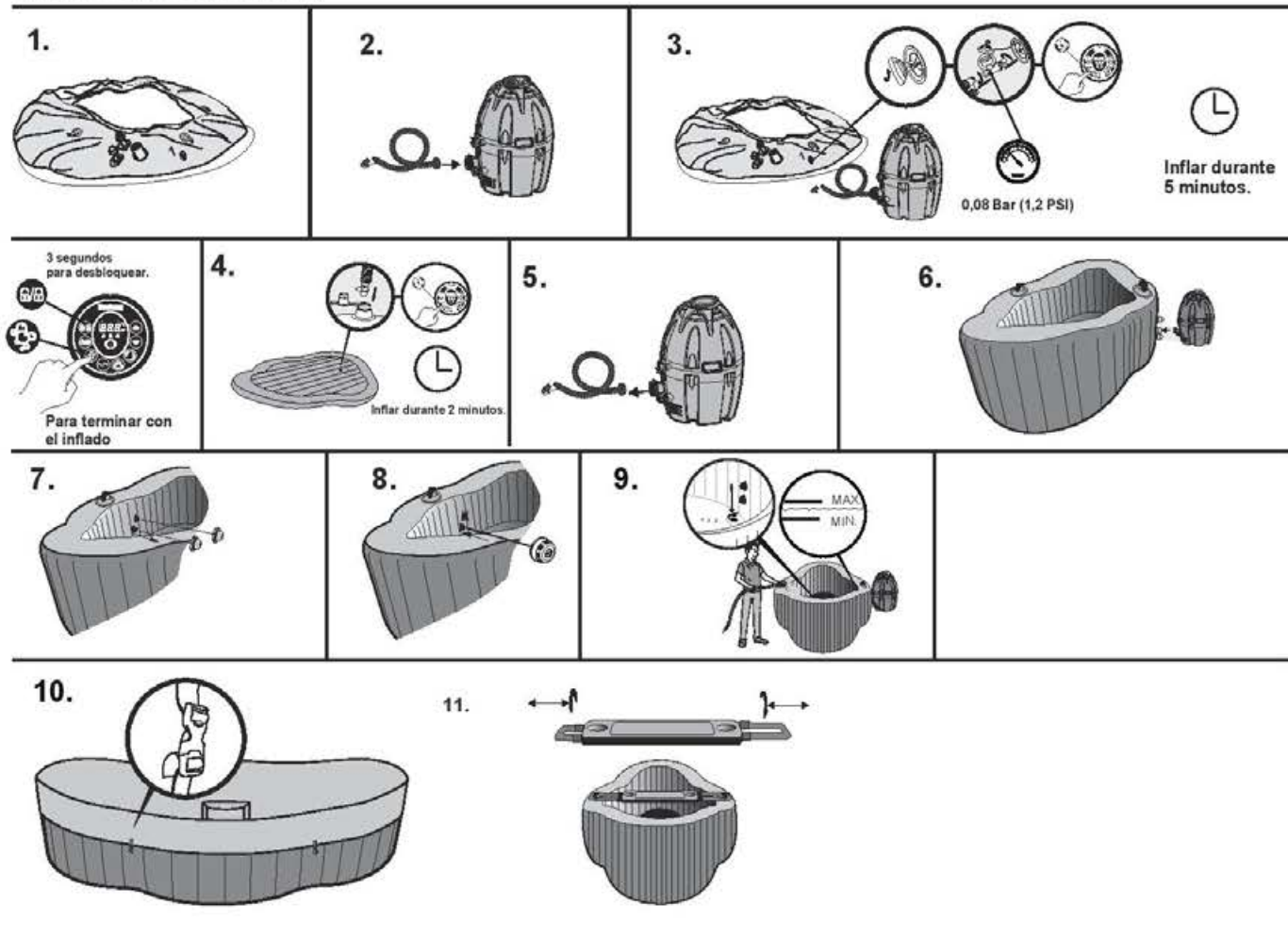
**PARIS AirJet (#54148)**



## HAWAII AirJet (#54154)



## SIENA AirJet (#54156)



## FUNCIONAMIENTO DE LA BOMBA

### Reinicio del calentamiento

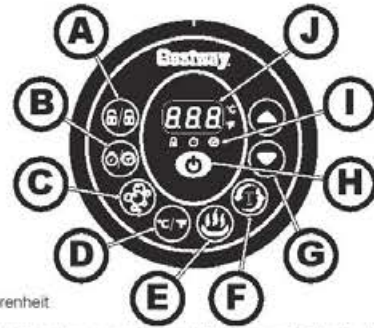
Cuanto utilice por primera vez el Lay-Z-Spa, o después de un largo período de inactividad, asegúrese de presionar el botón de restablecimiento (reset) de la bomba con un objeto pequeño y fino.

### BOTÓN DE RESTABLECIMIENTO

#### INSTRUCCIONES DE USO IMPORTANTES

Si la temperatura en el panel de control (o la temperatura del agua) no ha cambiado en las 45 horas siguientes a la activación del sistema de calentamiento, use un objeto fino para pulsar el botón de restablecimiento (RESET) y reinicie el sistema de calentamiento.

**IMPORTANTE:** El sistema de calentamiento no funcionará si la temperatura exterior es superior a 40°C (104°F) o si el Lay-Z-Spa se encuentra bajo la luz directa del sol. En estas condiciones, espere hasta un momento más fresco del día antes de pulsar el botón de restablecimiento (RESET) con un objeto fino y reinicie el sistema de calentamiento.



### A Botón de bloqueo/desbloqueo

La bomba posee una función de bloqueo automático de 5 minutos. La luz LED se volverá más tenue cuando la bomba esté bloqueada (ninguna función activa). Para bloquear o desbloquear la bomba, coloque el dedo sobre el botón de bloqueo/desbloqueo durante 3 segundos.

### B Botón de temporizador de ahorro energético

Esta es una función recientemente añadida, diseñada para ayudar a evitar el derroche energético mediante el establecimiento de la hora y la duración del ciclo de calentamiento del hidromasaje. De este modo, podrá disfrutar de su hidromasaje a la hora deseada, sin necesidad de dejar encendido el calentador todo el tiempo.

#### PASO 1: Establecer la duración del calentamiento

1. Pulse el botón hasta que el LED empiece a parpadear.
2. Pulse el botón o para ajustar la duración del calentamiento (de 1 a 48 horas).
3. Vuelva a pulsar el botón para confirmar la duración del calentamiento.

**PASO 2:** Configure el número de horas que deben pasar DESDE AHORA antes de que el calentador se active

1. Después de configurar la duración del calentamiento, el LED empezará a parpadear.
2. Pulse el botón o para establecer las horas hasta el momento de activación (De 0 a 99 horas).
3. Vuelva a pulsar el botón o no toque nada durante 10 segundos para confirmar el ajuste.

El LED se iluminará sin parpadeos, y empezará la cuenta atrás para la activación del calentador.

**Para modificar los ajustes del temporizador:** Pulse el botón y utilice el botón o para ajustar los valores.

**Cancelar los ajustes:** Pulse el botón durante 2 segundos.

**NOTA:** Después de realizar los ajustes, la pantalla mostrará la temperatura actual y la hora

**NOTA:** Los valores de ajuste del temporizador (cantidad de tiempo con el calentamiento encendido) deben ser de 1 a 48 horas. El tiempo previo (el número de horas que deben pasar DESDE AHORA antes de que el calentador se active) debe configurarse con valores de 0 a 99 horas. Si el temporizador se ajusta a 0 horas, significa que el sistema de calentamiento se activará inmediatamente. El temporizador es de un uso a la vez: el usuario configura la duración del ciclo de calentamiento y la cantidad de horas desde ahora en que el calentador comenzará a funcionar. La función del temporizador NO se repite hasta el restablecimiento.

### C Botón del sistema Lay-Z-Massage

Utilice este botón para activar el sistema de masaje, que, después de 30 minutos, cuenta con una función de interrupción automática. La luz situada encima del botón del sistema Lay-Z-Massage es roja cuando la función está activa.

**IMPORTANTE:** No ponga en funcionamiento el sistema Lay-Z-Massage con la cubierta acoplada. Se podría acumular aire dentro del hidromasaje, lo que causaría daños irreparables y lesiones corporales.

**NOTA:** El sistema de masaje y calentamiento trabajan juntos para crear una experiencia de masaje cálida y confortable.



### D Alternancia Celsius/Fahrenheit

Se puede mostrar la temperatura en grados tanto Celsius como Fahrenheit.

### E Botón de calentamiento

Utilice este botón para activar el sistema de calentamiento. Cuando la luz situada encima del botón de calentamiento sea roja, el sistema estará activo. Cuando la luz sea verde, el agua se encontrará a la temperatura establecida y el sistema de calentamiento estará en modo reposo.

**NOTA:** Si el sistema de calentamiento está activo, el sistema de filtrado se iniciará automáticamente.

**NOTA:** El sistema de filtrado seguirá en funcionamiento después de apagar el sistema de calentamiento.

### F Botón de filtrado de agua

Este botón enciende y apaga la bomba de filtrado. La luz situada encima del botón de filtrado de agua es roja cuando la función está activa.

### G Botones de ajuste de la temperatura

Presionar los botones de aumento o descenso de la temperatura hará que el LED parpadee. Cuando esté parpadeando, podrá ajustar la temperatura deseada. Si mantiene apretados estos botones, los valores crecerán o decrecerán rápidamente. La nueva temperatura deseada permanecerá durante tres segundos en la pantalla LED para confirmar el nuevo valor.

**NOTE:** La temperatura predeterminada es 35°C (95°F).

**NOTE:** Los ajustes de temperatura pueden variar de 20°C (68°F) a 40°C (104°F).

### H Botón de encendido/apagado

Pulse este botón durante 2 segundos para activar los botones del panel de control, la luz se enciende de color verde. Pulse este botón durante 2 segundos para desactivar todas las funciones activadas.

### I LED de temporizador de ahorro energético

El parpadeo de esta luz LED significa que está estableciendo la duración del calentamiento. La luz se enciende cuando empiece el calentamiento.

El parpadeo de esta luz LED significa que está estableciendo el número de horas DESDE AHORA en que se activará el calentador. Cuando la luz está encendida, significa que se ha establecido la función de temporizador de ahorro energético.

### J Pantalla LED

Una vez encendido el LED muestra la temperatura del agua actual automáticamente.

Después de 72 horas de filtrado (sin utilizar la función de temporizador de ahorro energético), la bomba entrará en modo hibernación y parpadeará la señal "Fin" ("End") con la temperatura actual del agua. Cuando la bomba esté hibernando, las funciones de calentamiento y filtrado del agua estarán inhabilitadas. Para volver a activar la bomba, presione el botón bloqueo/desbloqueo durante 3 segundos.

**NOTA:** El calentamiento del agua podría cambiar en las circunstancias siguientes:

\* cuando la temperatura exterior es inferior a 15°C (59°F).

\* si la cubierta no está colocada cuando la función de calentamiento está activa.

**NOTA:** Para visualizar la temperatura actual del agua, ponga en funcionamiento el sistema de filtrado durante un minuto por lo menos. La temperatura del agua obtenida con un termómetro externo podría variar de la temperatura mostrada por el panel del hidromasaje en, como mucho, 2°C aproximadamente.

## Alarmas

Causas	Motivos	Soluciones
	Los sensores de caudal de agua funcionan sin presionar el botón de filtrado o calentamiento.	1. Los indicadores de los sensores de caudal de agua no bajaron y no se posicionaron correctamente. 2. Los sensores del caudal de agua están rotos.
	Después del arranque o durante las funciones de filtrado y/o calefacción, los sensores del caudal de agua no detectan el caudal de agua.	1. Se olvidó de retirar los 2 tapones de tope del interior de la piscina. 2. Los cartuchos de filtro están sucios. 3. Active el sistema de filtrado o calentamiento y coloque la mano delante de la tubería de salida en el interior de la piscina para comprobar si sale agua. a. Si no sale agua, la bomba de agua está rota. b. Sale agua pero se activa la alarma [7]. Los sensores de caudal de agua están rotos.
	El termómetro de la bomba indica una temperatura inferior a 4°C (40°F).	1. La temperatura del agua es inferior a 4°C (40°F). 2. Si la temperatura del agua es superior a 7°C (44,6°F), el termómetro de la bomba está roto.
	El termómetro de la bomba indica una temperatura superior a 50°C (122°F).	1. La temperatura del agua es superior a 50°C (122°F). 2. Si la temperatura del agua es superior a 45°C (113°F), el termómetro de la bomba está roto.
	Las conexiones del termómetro de la bomba presentan algún problema.	1. Los conectores del termómetro de la bomba no funcionan correctamente. 2. El termómetro de la bomba está roto.
	El disparador térmico manual de restablecimiento presenta algún problema.	El disparador térmico manual de restablecimiento se ha activado.
		1. Desenchufe la bomba y pulse el botón de restablecimiento, después vuelva a enchufar la bomba. 2. En caso de que la alarma persista, compruebe la sección BOTÓN DE RESTABLECIMIENTO del manual. 3. Póngase en contacto con el servicio posventa de Bestway para solicitar instrucciones.

## MANTENIMIENTO

**NOTA:** Podría ser necesario aplicar aire adicional al hidromasaje de vez en cuando. Los cambios de temperatura del día a la noche cambiarán la presión del hidromasaje, lo que podría causar un cierto desinflado. Siga las instrucciones de montaje y vacíe el hidromasaje antes de volver a inflarlo para alcanzar la presión necesario.

**PRECAUCIÓN:** DEBE ASEGURARSE DE QUE LA BOMBA ESTÁ DESENCHUFADA ANTES DE INICIAR ACTIVIDADES DE MANTENIMIENTO PARA EVITAR EL RIESGO DE LESIONES O INCLUSO DE MUERTE.

### Mantenimiento del cartucho de filtro

**NOTA:** Para garantizar que el agua del hidromasaje permanece limpia, compruebe y limpie sus cartuchos de filtro a diario. Siga los pasos siguientes.

**NOTA:** Recomendamos cambiar los cartuchos de filtro todas las semanas. Si los cartuchos de filtro siguen estando sucios y descoloridos, deberán cambiarse.

### Mantenimiento del agua

Debe mantener el agua de su hidromasaje limpia y químicamente equilibrada. Lavar solo el cartucho de filtro no es suficiente para un mantenimiento correcto, recomendamos utilizar productos químicos para mantener el equilibrio químico del agua y tabletas de cloro o de bromo (no utilice gránulos) con el flotador químico.

Como referencia, el agua debería cambiarse cada 3 días aproximadamente. Esto es solo un valor de referencia. La calidad del agua se ve afectada por la frecuencia de uso, el número de personas que utilizan el hidromasaje y el mantenimiento general.

**Nota:** Recomendamos ducharse antes de utilizar el Lay-Z-Spa, ya que los productos cosméticos, las lociones y otros residuos en la piel podrían degradar rápidamente la calidad del agua. Para utilizar el flotador químico, siga las instrucciones siguientes.

Utilizar productos químicos en tableta (no incluido):



**NOTA:** Retire el flotador químico del hidromasaje cuando el hidromasaje esté siendo usado.

**IMPORTANTE:** Después de realizar el mantenimiento químico y antes de utilizar el hidromasaje, utilice un kit de pruebas (no incluido) para comprobar la composición química del agua.

Recomendamos que mantenga el agua según las indicaciones de la tabla siguiente.

**NOTA:** Los daños resultantes de un desequilibrio químico no están cubiertos por la garantía. Los productos químicos para piscinas son potencialmente tóxicos y deben manejarse con cuidado. Existen riesgos graves para la salud derivados de los vapores químicos y del incorrecto etiquetado y almacenamiento de los recipientes de productos químicos. Consulte con su proveedor local de piscinas para solicitar información sobre el mantenimiento químico. Siga atentamente las instrucciones del fabricante de los productos químicos. Los daños al hidromasaje derivados de un uso inapropiado de los productos químicos y de la mala gestión del agua del hidromasaje no están cubiertos por la garantía.

Utilizar productos químicos líquidos (no incluido):



pH	Alcalinidad total	Cloro libre
7,4-7,6	80-120 ppm	2-4 ppm

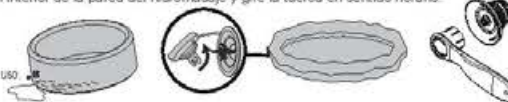
### Ajuste de la válvula de aire (Solo para #54113 #54129 #54154 #54156)

En caso de fuga de aire, compruebe la válvula de aire en primer lugar. Cubra la válvula de aire con agua jabonosa para comprobar si está dejando escapar el aire. Si así fuera, utilice la llave proporcionada para ajustar la válvula de aire siguiendo estos pasos:

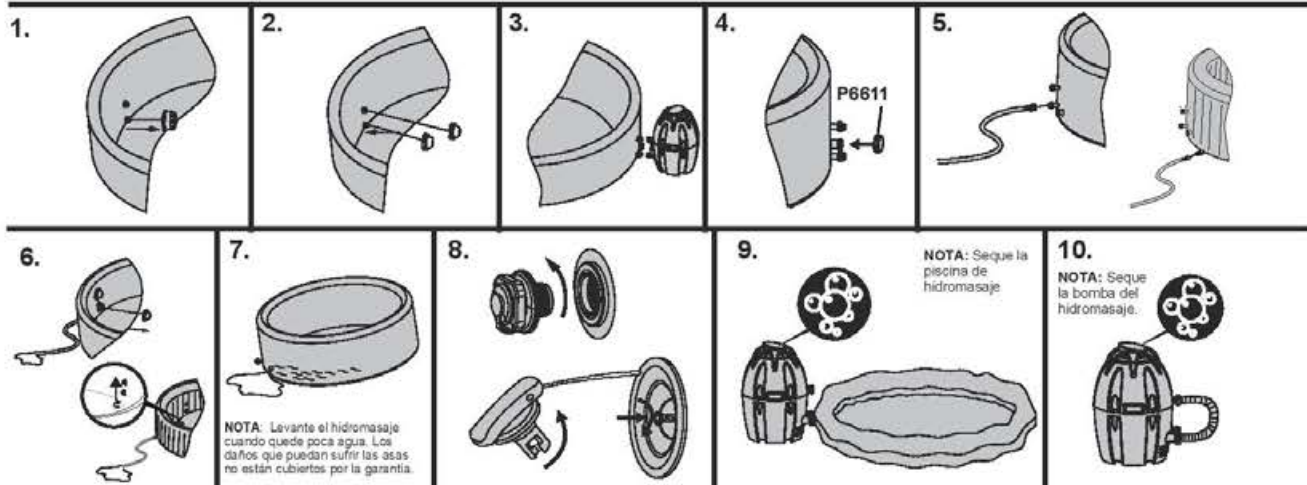
• sostenga con una mano la parte posterior de la válvula de aire del interior de la pared del hidromasaje y gire la tuerca en sentido horario.

### NOTE:

1. No apriete en exceso.
2. Compruebe atentamente la válvula de aire antes de cada uso.
3. No ajuste el conector de la válvula de aire cuando el hidromasaje se encuentre en uso.



## Vaciado del hidromasaje



## Limpieza del hidromasaje

Los residuos de detergente y los sólidos disueltos de los trajes de baño y los productos químicos podrían acumularse en las paredes del hidromasaje. Utilice agua y jabón para limpiar las paredes y después aclárelas abundantemente.

**NOTA:** NO utilice cepillos duros o productos de limpieza abrasivos.

### Reparación del hidromasaje

Para los hidromasajes #54112, #54123, #54148 y cubiertas inflables.

Si el hidromasaje presenta alguna rotura o algún pinchazo, use el parche de alta resistencia incluido.

1. Limpie la zona a reparar.
2. Retire el parche con cuidado de su soporte.
3. Presione el parche sobre la zona a reparar.

Para los hidromasajes #54113, #54129, #54154, #54156 (no incluidas las cubiertas inflables)

Si el hidromasaje presenta alguna rotura o algún pinchazo, use el parche de reparación de PVC incluido y cola (no incluida) siguiendo los pasos siguientes:

1. Limpie y seque la zona que desea reparar.
2. Recorte el parche de PVC incluida para obtener el tamaño adecuado.
3. Utilice cola (no incluida) para recubrir un lado del parche recortado. Compruebe que la cola esté distribuida de forma homogénea.
4. Espere 30 segundos y aplique el parche encolado sobre la zona dañada.
5. Elimine cualquier burbuja de aire que pudiera haber quedado atrapada debajo del parche y presione con firmeza durante dos minutos.
6. El producto ya vuelve a estar listo para su uso. Repita este proceso si apareciesen nuevas fugas.
7. Espere 30 minutos antes de volver a inflar.

## Almacenamiento del Lay-Z-Spa

Asegúrese de que el hidromasaje y la bomba estén completamente secos. Esto es esencial para alargar la vida útil del hidromasaje. Recomendamos utilizar la bomba para secar con aire el hidromasaje, la bomba y las tuberías. Retire los conjuntos de filtro y deseche los cartuchos de filtro usados. Vuelva a conectar los dos tapones de tope en las válvulas de entrada y salida del hidromasaje. Se recomienda que guarde el hidromasaje dentro de su confección original en un lugar cálido y seco.

**NOTA:** El plástico se vuelve quebradizo y frágil cuando queda expuesto a temperaturas bajo cero. La congelación puede dañar seriamente el hidromasaje. Una preparación para el invierno incorrecta del hidromasaje puede dejar sin validez su garantía.

### Eliminación



Significado del símbolo del cubo de basura tachado con una cruz: No deseche los aparatos eléctricos como residuos urbanos no seleccionados. Utilice las instalaciones de recogida selectiva de residuos. Diríjase a las autoridades locales para obtener información sobre los sistemas de recogida disponibles. Si los aparatos eléctricos se desechan en basureros o vertederos, pueden filtrarse sustancias peligrosas en las aguas subterráneas y entrar en la cadena alimentaria, dañando su bienestar y su salud. Cuando se sustituyen aparatos viejos por otros nuevos, el vendedor está obligado por las leyes a retirar su aparato usado para su eliminación de forma gratuita.

## RESOLUCIÓN DE PROBLEMAS Bestway se esfuerza por ofrecer los hidromasajes que causen menos problemas del mercado.

Si experimenta cualquier tipo de problema, no dude en ponerse en contacto con Bestway o con su vendedor autorizado. Aquí encontrará algunos consejos útiles para ayudarlo a diagnosticar y corregir algunas causas de problemas comunes.

Problemas	Posibles causas	Soluciones
La bomba no funciona	<ul style="list-style-type: none"> <li>- Falta de alimentación</li> <li>- El circuito de alimentación está roto</li> </ul>	<ul style="list-style-type: none"> <li>- Compruebe la fuente de alimentación</li> <li>- Póngase en contacto con su centro de servicio posventa de Bestway local para solicitar instrucciones</li> </ul>
La bomba no calienta adecuadamente	<ul style="list-style-type: none"> <li>- Temperatura ajustada demasiado baja</li> <li>- Cartucho de filtro sucio.</li> <li>- Desconexión del disyuntor térmico</li> <li>- El hidromasaje no está cubierto</li> <li>- El calentador o los fusibles han fallado</li> </ul>	<ul style="list-style-type: none"> <li>- Ajuste a una temperatura más alta, consulte la sección sobre el funcionamiento de la bomba</li> <li>- Limpie/sustituya el cartucho de filtro, consulte la sección sobre limpieza y sustitución del cartucho del filtro</li> <li>- Desenchufe la bomba y coloque el enchufe en un lugar seco y fresco. Vuelva a encender la bomba únicamente cuando la temperatura del agua sea igual o inferior a 35°C (95°F)</li> <li>- Cubra el hidromasaje con la cubierta</li> <li>- Póngase en contacto con el servicio posventa de Bestway para solicitar instrucciones</li> </ul>
El sistema Lay-Z-Massage no funciona	<ul style="list-style-type: none"> <li>- La bomba de aire se ha sobrecalentado.</li> <li>- El sistema de masaje del Lay-Z- Spa se detiene automáticamente</li> <li>- La bomba de aire está rota</li> </ul>	<ul style="list-style-type: none"> <li>- Desenchufe la bomba y espere dos horas hasta que la bomba se enfríe</li> <li>- Introduzca el enchufe y pulse el botón Lay-Z-Massage System</li> <li>- Pulse el botón Lay-Z-Massage System para reactivar el sistema.</li> <li>- Póngase en contacto con su centro de servicio posventa de Bestway local para solicitar instrucciones</li> </ul>
Los adaptadores de bomba no están a nivel respecto a los adaptadores de hidromasaje	<ul style="list-style-type: none"> <li>- Una característica del PVC es que cambia de forma, algo perfectamente normal</li> </ul>	<ul style="list-style-type: none"> <li>- Puede elevar la bomba con un trozo de madera o cualquier otro tipo de material aislante para poner a nivel los adaptadores de la bomba respecto a los adaptadores del hidromasaje</li> </ul>
Fuga de la piscina de hidromasaje	<ul style="list-style-type: none"> <li>- El hidromasaje presenta alguna rotura o algún pinchazo</li> <li>- La válvula de aire está suelta</li> </ul>	<ul style="list-style-type: none"> <li>- Use el parche de reparación incluido</li> <li>- Cubra la válvula de aire con agua jabonosa para comprobar si está dejando escapar el aire. Si así fuera, utilice la llave proporcionada para ajustar la válvula de aire siguiendo estos pasos: <ol style="list-style-type: none"> <li>1. Desinfe el hidromasaje</li> <li>2. Sostenga con una mano la parte posterior de la válvula de aire del interior de la pared del hidromasaje y gire la tuerca en sentido horario</li> </ol> </li> </ul>
El agua no está limpia	<ul style="list-style-type: none"> <li>- Tiempo de filtrado insuficiente.</li> <li>- Cartucho de filtro sucio</li> <li>- Mantenimiento del agua incorrecto.</li> </ul>	<ul style="list-style-type: none"> <li>- Aumente el tiempo de filtrado</li> <li>- Limpie/reemplace el cartucho de filtro (consulte la sección de Limpieza y reparación del cartucho de filtro)</li> <li>- Consulte las instrucciones del fabricante de los productos químicos</li> </ul>
Error al realizar el test PRCD.	Hay algún problema con el hidromasaje	Póngase en contacto con su centro de servicio posventa de Bestway local y devuelva el hidromasaje
El panel de control no funciona	<ul style="list-style-type: none"> <li>- El panel de control tiene un bloqueo automático, que se activa al cabo de 5 minutos de inactividad. La pantalla LED tiene un icono:  Si el icono de bloqueo está resaltado, el panel de control está bloqueado</li> <li>- El panel de control no está activo</li> </ul>	<ul style="list-style-type: none"> <li>- Para desbloquear el panel de control, pulse el botón  durante 3 segundos. Si el panel de control no se desbloquea, reinicie la bomba – desenchufe y vuelva a enchufar la bomba.</li> <li>- Pulse el botón de encendido/apagado (on/off) durante 2 segundos</li> <li>- Si el problema persiste, póngase en contacto con su centro de servicio posventa de Bestway local para solicitar instrucciones</li> </ul>
¿Qué tipo de tratamientos químicos deberían utilizarse para el mantenimiento del agua?	Consulte con su proveedor local de tratamientos químicos para solicitar información al respecto. Siga atentamente las instrucciones del fabricante de los productos químicos	
Hay fugas de agua en los adaptadores entre la bomba y el hidromasaje	<p>Inserte los tapones de tope en los puertos del hidromasaje para evitar que escape el agua y desconecte la bomba. Compruebe y asegúrese de que las juntas estén correctamente colocadas en el interior de los adaptadores de bomba. Si faltan juntas o no están instaladas correctamente, póngase en contacto con su centro de servicio posventa de Bestway local para solicitar instrucciones.</p> <p>Si las juntas están correctamente colocadas en posición, vuelva a conectar la bomba al hidromasaje y apriete los adaptadores a mano</p>	

# Garantía de fabricante limitada BESTWAY®

El producto que ha comprado viene acompañado de una garantía limitada. En Bestway® cumplimos nuestra garantía de calidad y le aseguramos, mediante una garantía de sustitución, que su producto estará libre de defectos de fabricación.

Si desea presentar una reclamación en garantía, cumplimente este impreso y envíelo a su centro de servicios posventa de Bestway local acompañado de una copia del recibo de compra. Póngase en contacto con su centro de servicios posventa de Bestway antes de enviar cualquier documento. Dicho centro le informará debidamente de lo necesario para tramitar su reclamación. Bestway® no sustituirá aquellos productos que hayan recibido un trato inadecuado o se hayan utilizado sin respetar las instrucciones de uso aplicables.

La garantía de Bestway cubre los defectos de fabricación descubiertos durante el desembalaje del producto o durante su uso, tal y como se recomienda en el manual del usuario. Esta garantía se aplica solo a aquellos productos que no hayan sido modificados por terceros. El producto debe guardarse y manipularse de acuerdo con las recomendaciones técnicas.

La garantía no cubre daños provocados por uso inadecuado, abuso, uso negligente, incluyendo aunque no de manera exhaustiva: colisión, incendio, uso de tensión inadecuada, exposición a un calor excesivo, instalación inadecuada, pruebas o cableado inadecuados o almacenamiento inadecuado.

Las reparaciones y las sustituciones no amplían la duración de la garantía. La fecha de entrada en vigor de la garantía es la fecha de venta mostrada en el recibo de compra original.

Elija su hidromasaje



PARA: Departamento de servicio Bestway® Fecha de compra: \_\_\_\_\_  
 FECHA: \_\_\_\_\_ Número de código de cliente: \_\_\_\_\_

FAX/E-MAIL/TEL: Consulte la información de contacto correspondiente a su país indicada en la contraportada o en la página web: [www.bestwaycorp.com](http://www.bestwaycorp.com)

Por favor, proporcione su dirección completa y detallada. **Nota:** Las direcciones incompletas podrían provocar retrasos en los envíos. Bestway se reserva el derecho de cobrar los nuevos envíos de los paquetes devueltos cuando el motivo de dicha devolución sea atribuible al destinatario.

## INFORMACIÓN REQUERIDA - ESCRIBA LA DIRECCIÓN DE ENVÍO

Nombre: \_\_\_\_\_ Dirección: \_\_\_\_\_  
 Código postal: \_\_\_\_\_ Distribuidor: \_\_\_\_\_  
 País: \_\_\_\_\_ Ciudad: \_\_\_\_\_  
 Nº de móvil: \_\_\_\_\_ Teléfono: \_\_\_\_\_  
 Fax: \_\_\_\_\_ E-mail: \_\_\_\_\_

Número de lote de la BOMBA DE HIDROMASAJE: \_\_\_\_\_ Número de lote de la PISCINA DE HIDROMASAJE: \_\_\_\_\_  
 Código de artículo de la BOMBA DE HIDROMASAJE: \_\_\_\_\_



Las ilustraciones se incluyen únicamente a título indicativo. No a escala.

LAY-Z-SPA Vegas / Paris

### Descripción del problema

- Fugas en el hidromasaje
- Filtración de agua El sistema no funciona
- El sistema de calentamiento no funciona
- El panel de control muestra un error que no puede solucionarse
- El sistema Lay-Z-Massage no funciona
- Fuga de la bomba
- Fuga del adaptador
- Piezas ausentes – Utilice el código de la pieza ausente, el cual se pueden encontrar en el manual del usuario.
- Otro (Descripción) \_\_\_\_\_

**IMPORTANTE: SOLO SE SUSTITUIRÁ LA PARTE DAÑADA, NO LA TOTALIDAD DEL PRODUCTO.**

Bestway se reserva el derecho de solicitar pruebas fotográficas de las piezas defectuosas o de solicitar el envío del elemento para la realización de pruebas adicionales.

Para poder ayudarle lo mejor posible, le rogamos que nos suministre información completa.

PARA CONSULTAR FAQ, MANUALES, VÍDEOS O COMPRAR PIEZAS DE REPUESTO, VISITE NUESTRA PÁGINA WEB [www.bestwaycorp.com](http://www.bestwaycorp.com)

LOS VÍDEOS TAMBIÉN ESTÁN DISPONIBLES EN NUESTRO CANAL BESTWAY EN YOUTUBE: [www.youtube.com/user/BestwayService](http://www.youtube.com/user/BestwayService).



# INHALT

Besuchen Sie den YouTube-Kanal von Bestway

<b>1. Sicherheitsanweisungen</b> ....	P47	<b>5. Wartung</b> .....	P59
<b>2. Technische Daten</b> .....	P50	Wartung der Filterkartusche	
<b>3. Installation</b> .....	P53	Wartung des Wassers	
Aufstellort		Justierung des Luftventils	
Pumpentest		Entleeren des Spas	
		Reinigen des Spas	
<b>4. Pumpenbetrieb</b> .....	P58	Reparatur des Spas	
Heizungs-Reset		Lagerung des Lay-Z-Spas	
Bedienfeld		Entsorgung	
Alarmer		<b>6. Fehlersuche</b> .....	P60
		<b>7. Gewährleistung</b> .....	P61



## SICHERHEITSAUWEISUNGEN

Bei der Installation und Benutzung dieser elektrischen Ausstattung müssen stets die grundlegenden Sicherheitsvorkehrungen getroffen und befolgt werden, einschließlich der folgenden:

**WICHTIGE SICHERHEITSAUWEISUNGEN - LESEN UND BEFOLGEN SIE ALLE AUWEISUNGEN.**

### WARUUNG:

- Das SPA muss über einen Trenntransformator oder über eine Fehlerstrom-Schutzeinrichtung (RCD) mit einem Ansprechdifferenzstrom von nicht mehr als 30mA versorgt werden.
- Die Pumpe muss vor jeder Verwendung getestet werden, befolgen Sie die Anweisungen für die Pumpe, um den Test durchzuführen.
- Falls das Netzkabel beschädigt ist, muss ein Austausch durch den Hersteller, eine autorisierte Servicestelle oder vergleichbar qualifizierte Personen erfolgen, um Gefahren zu vermeiden.
- Verwenden Sie kein Verlängerungskabel für den Anschluss der Einheit an die Energieversorgung; nutzen Sie eine ordnungsgemäß installierte Steckdose.
- Während der Benutzung des Bads darf sich kein Teil dieses Gerätes darüber befinden.
- Komponenten mit Strom führenden Teilen, mit Ausnahme von Teilen, die mit einer Sicherheitskleinspannung von nicht mehr als 12 V versorgt werden, dürfen sich nicht in Reichweite von Personen innerhalb des SPA-Pools befinden; Teile, die elektrische Komponenten beinhalten, mit Ausnahme von Fernbedienungen, müssen so gelagert oder angebracht werden, dass sie nicht in den SPA-Pool fallen können.
- Das Spa muss von einer geerdeten Stromquelle mit Spannung versorgt werden.
- **Warnung: Halten Sie den Stecker stets trocken. Das Einstecken eines feuchten oder nassen Steckers ist strengstens untersagt!**
- Es ist notwendig, nach der Installation des SPAs ungehinderten Zugriff auf den Stecker zu haben.  
**VORSICHT:** Um Gefahren durch unbeabsichtigtes Zurücksetzen des Thermoschutzes zu vermeiden, darf dieses Gerät nicht über eine externe Schaltvorrichtung wie eine Zeitschaltuhr betrieben oder an einen Stromkreis angeschlossen werden, der regelmäßig durch den Versorger ein- und ausgeschaltet wird. Nach 3- bis 5-jähriger Nutzung des Spas, müssen Sie sich mit Ihrem lokalen qualifizierten Wartungstechniker in Verbindung setzen, um die Sicherheit und Leistung zu gewährleisten. Die Hauptkomponenten wie das Heizelement, der Motor des Luftgebläses und die Rückschlagventile in der elektrischen Einheit müssen fachkundig überprüft und ersetzt werden (wenn erforderlich).
- **BENUTZEN SIE DAS SPA NICHT, WÄHREND ES REGNET, UM EINEN ELEKTRISCHEN SCHLAG ZU VERMEIDEN.**
- Tragen Sie niemals Kontaktlinsen, während Sie sich in Ihrem SPA aufhalten.
- Benutzen Sie das Spa nicht während der chemischen Wasserpflege.
- Die Stromquelle an der Gebäudewand muss mehr als 4m vom Pool entfernt sein und sich in einer Höhe von mindestens 1,2 m befinden.
- Es können keine Verlängerungskabel verwendet werden.
- Stecken Sie den Netzstecker des Geräts nicht mit nassen Händen ein oder aus.
- Stecken Sie das Gerät immer aus:
  - an Regentagen
  - Bevor Reinigungs- oder Wartungsarbeiten durchgeführt werden
  - wenn Sie das Produkt für einen längeren Zeitraum unbeaufsichtigt lassen (z. B. während des Urlaubs).
- Reinigung und Wartung durch den Benutzer müssen von einem mindestens 18 Jahre alten Erwachsenen durchgeführt werden, der mit den Gefahren eines elektrischen Schlages vertraut ist.
- Wird das Gerät für einen längeren Zeitraum, zum Beispiel im Winter, nicht benutzt, muss das SPA- oder Pool-Set demontiert und in Innenräumen gelagert werden
- **Vorsicht:** Bitte lesen Sie diese Anweisungen vor jeder Benutzung und Installation bzw. Montage des Geräts sorgfältig durch.
- Bewahren Sie diese Anweisungen sorgfältig auf. Sollten diese Anweisungen verloren gehen, kontaktieren

Sie Bestway oder suchen Sie das Dokument auf unserer Website [www.bestwaycorp.com](http://www.bestwaycorp.com)

- **Warnung:** Für die elektrische Sicherheit ist eine PRCD-Vorrichtung in das Stromkabel integriert. Wird ein Fehlerstrom von mehr als 10 mA erfasst, arbeitet die Schutzvorrichtung und trennt die Stromversorgung. Ziehen Sie in einem solchen Fall den Netzstecker des Produktes sofort heraus bzw. trennen Sie das Produkt sofort vom Stromnetz und stellen Sie umgehend die Benutzung des Produktes ein. Führen Sie in diesem Fall bitte keinen Reset aus. Sie müssen Ihren lokalen Bestway Kundendienst kontaktieren, um das Produkt überprüfen und gegebenenfalls reparieren zu lassen.
- Dieses Gerät kann von Kindern ab 8 Jahren oder älter sowie von Personen mit physischen, sensorischen oder mentalen Einschränkungen oder mangelnder Erfahrung und mangelnden Kenntnissen benutzt werden, sofern sie entsprechend beaufsichtigt oder mit der Bedienung des Gerätes und den damit verbundenen Gefahren vertraut gemacht wurden. Kinder dürfen nicht mit dem Gerät spielen. Die Reinigung und Wartung durch den Benutzer darf von Kindern nicht ohne Beaufsichtigung durchgeführt werden. (Für den EU-Markt)  
Dieses Gerät darf nicht von Personen (einschließlich Kindern) mit physischen, sensorischen oder mentalen Einschränkungen oder mangelnder Erfahrung und mangelnden Kenntnissen benutzt werden, wenn diese nicht durch eine für ihre Sicherheit verantwortliche Person entsprechend beaufsichtigt werden oder mit der Bedienung des Gerätes und den damit verbundenen Gefahren vertraut gemacht wurden. Kinder müssen während der Nutzung beaufsichtigt werden, um sicherzustellen, dass sie nicht mit dem Gerät spielen. (Für Nicht-EU-Märkte)
- Wasser übt eine Anziehungskraft auf Kinder aus; bringen Sie nach jeder Benutzung die SPA-Abdeckung an.
- Vergraben Sie das Kabel nicht im Boden. Verlegen Sie das Kabel so, dass die Gefahr von Beschädigungen durch Rasenmäher, Heckenscheren und andere Geräten vermieden wird.
- Risiko von Ertrinkungsunfällen. Es ist äußerste Vorsicht geboten, um unerlaubten Zugang durch Kinder zu verhindern. Um Unfälle zu vermeiden, stellen Sie sicher, dass Kinder das SPA nicht benutzen können, solange sie nicht jederzeit durch einen Erwachsenen beaufsichtigt werden.
- **RISIKO SCHWERER VERLETZUNGEN.** Benutzen Sie das SPA niemals, wenn die Zu- oder Ableitungen beschädigt sind oder fehlen. Versuchen Sie niemals, die Zu- oder Ableitungen zu ersetzen. Wenden Sie sich immer an Ihren lokalen Kundendienst.
- **GEFAHR EINES ELEKTRISCHEN SCHLAGES.** Mindestens 2 m entfernt von sämtlichen Metallflächen installieren.
- **GEFAHR EINES ELEKTRISCHEN SCHLAGES.** Benutzen Sie niemals elektrische Geräte, während Sie sich in Ihrem SPA befinden oder wenn Ihr Körper nass ist. Positionieren Sie niemals elektrische Geräte wie Lampen, Telefone Radios oder Fernsehgeräte im Umkreis von 2 m vom SPA.
- Während der Schwangerschaft kann der Aufenthalt in heißem Wasser dem Fötus schaden. Schränken Sie die Nutzungsdauer auf maximal 10 Minuten ein.
- **ZUR REDUZIERUNG DES VERLETZUNGSRIKOS:**
  - A. Die Wassertemperatur im SPA darf 40 °C (104 °F) niemals überschreiten. Wassertemperaturen zwischen 38 °C (100 °F) und 40 °C (104 °F) werden für einen gesunden Erwachsenen als sicher angesehen. Für jüngere Kinder und wenn das SPA länger als 10 Minuten benutzt wird, werden niedrigere Wassertemperaturen empfohlen.
  - B. Da hohe Wassertemperaturen in den ersten Schwangerschaftsmonaten eine erhebliche Gefahr für den Fötus darstellen, müssen schwangere oder möglicherweise schwangere Frauen die Wassertemperatur des SPAs auf 38 °C (100 °F) begrenzen.
  - C. Vor dem Betreten des SPAs muss der Benutzer die Wassertemperatur mit einem genauen Thermometer messen, da die Toleranz der Wassertemperaturregler variiert.
  - D. Die Einnahme von Alkohol, Drogen oder Medikamenten vor oder während der Benutzung des SPAs kann zu Bewusstlosigkeit und Ertrinkungsgefahr führen.
  - E. Übergewichtige Personen sowie Personen, die an einer Herzerkrankung, niedrigem oder hohem Blutdruck, Kreislaufproblemen oder Diabetes leiden, müssen vor der Benutzung des Spas einen Arzt konsultieren.
  - F. Personen, die Medikamente einnehmen, müssen vor der Benutzung eines SPAs einen Arzt konsultieren, da einige Arzneimittel zu Schläfrigkeit führen, während andere Medikamente sich auf die Herzfrequenz, den Blutdruck oder den Kreislauf auswirken können.
- **ZUR REDUZIERUNG DES VERLETZUNGSRIKOS:** Füllen Sie niemals Wasser, dessen Temperatur über 40 °C (104 °F) liegt, direkt in den SPA-Pool.
- Die Einnahme von Alkohol, Drogen oder Medikamenten kann das Risiko einer tödlichen Hyperthermie erheblich erhöhen. Hyperthermie tritt auf, wenn die Innentemperatur des Körpers eine Temperatur erreicht, die einige Grade über der normalen Körpertemperatur von 37 °C (98,6 °F) liegt. Die Symptome der Hyperthermie sind ein Anstieg der inneren Körpertemperatur, Schwindel, Lethargie, Schläfrigkeit, Benommenheit und Ohnmacht. Die Symptome der Hyperthermie umfassen Hitzeunempfindlichkeit; das Nichterkennen der Notwendigkeit, das SPA oder den Whirlpool zu verlassen; Nichterkennen der drohenden Gefahr;



- Schädigung des Fötus bei schwangeren Frauen; körperliche Unfähigkeit, das SPA oder den Whirlpool zu verlassen; sowie Bewusstlosigkeit mit Ertrinkungsgefahr.
- Die Installation von Elektrogeräten muss den lokalen und nationalen Elektrovorschriften entsprechen. Wenden Sie sich wegen jeglicher Fragen an einen Fachelektriker.

**KONSULTIEREN SIE IHREN ARZT FÜR EMPFEHLUNGEN.**

**VORSICHT:**

- Das SPA darf nicht bei Temperaturen unter 4 °C (40 °F) aufgebaut werden oder im Freien bleiben.
- Benutzen Sie das SPA nicht allein.
- Menschen mit ansteckenden Krankheiten dürfen das SPA nicht benutzen.
- Benutzen Sie das SPA nicht unmittelbar nach körperlichen Anstrengungen.
- Betreten und verlassen Sie das SPA stets langsam und vorsichtig. Nasse Oberflächen sind rutschig.
- Zur Vermeidung von Beschädigungen an der Pumpe darf das SPA nur dann betrieben werden, wenn es mit Wasser gefüllt ist.
- Verlassen Sie das SPA unverzüglich, falls Sie sich unwohl oder schläfrig fühlen.
- Geben Sie niemals Wasser zu Chemikalien. Geben Sie die Chemikalien immer ins Wasser, um starke Dämpfe oder heftige Reaktionen zu vermeiden, die zu gefährlichem Chemikaliensprühnebel führen können.
- Informationen zur Reinigung, Wasserpflege und Wasserentsorgung finden Sie im Abschnitt "WARTUNG".
- Informationen zur Installation finden Sie im nachstehenden Absatz dieses Handbuchs.

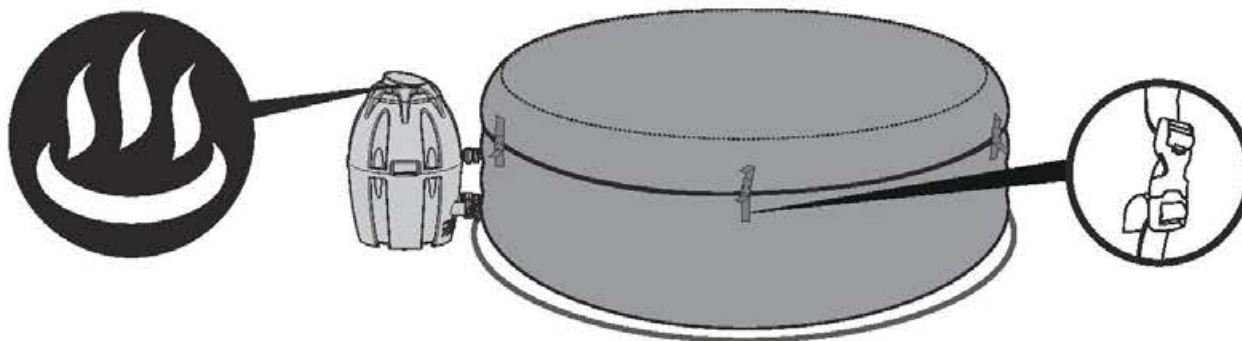
**HINWEIS:**

- Bitte untersuchen Sie die Ausstattung vor der Benutzung. Benachrichtigen Sie den Bestway Kundenservice unter der auf diesem Handbuch angegebenen Adresse über sämtliche zum Zeitpunkt des Kaufs beschädigten oder fehlenden Teile. Prüfen Sie, ob die Komponenten der Ausrüstung dem Modell entsprechen, das Sie kaufen wollten.
- Dieses Produkt ist nicht für den kommerziellen Einsatz bestimmt.

**BEWAHREN SIE DIESE ANWEISUNGEN AUF WICHTIG!**

Die Heizdauer zum Erreichen einer Temperatur von 40° (104°) hängt von der anfänglichen Wassertemperatur sowie der Umgebungstemperatur ab. Die unten genannten Daten sind reine Bezugswerte. Zur Anzeige der aktuellen Wassertemperatur muss das Filtersystem mindestens eine Minute in Betrieb sein.

Umgebungstemperatur	Wassertemperatur	Eingestellte Temperatur	Heizdauer
10°C(50°F)	10°C(50°F)	40°C(104°F)	18,5h
15°C(59°F)	15°C(59°F)	40°C(104°F)	15h
20°C(68°F)	20°C(68°F)	40°C(104°F)	11,5h
25°C(77°F)	25°C(77°F)	40°C(104°F)	8,5h
30°C(86°F)	30°C(86°F)	40°C(104°F)	5,5h

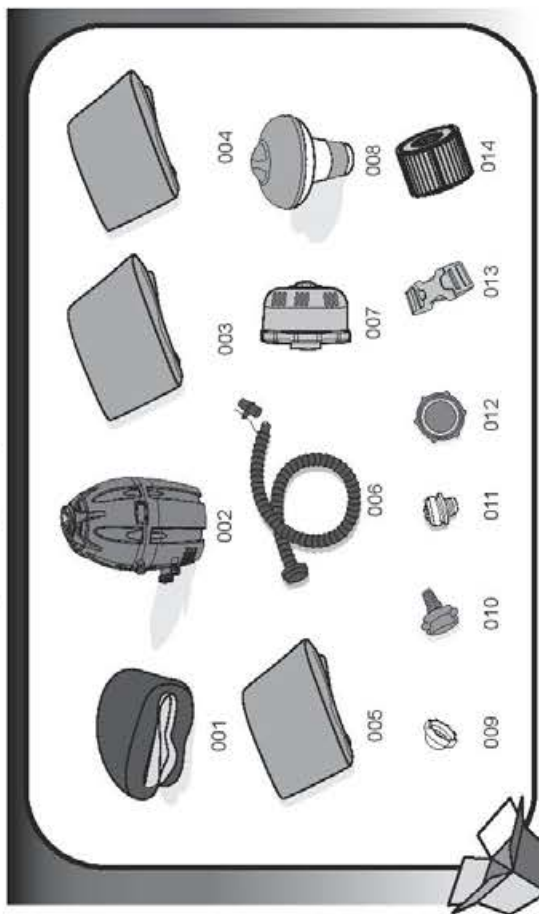


Vergewissern Sie sich, dass bei aktivierter Heizfunktion die Spa-Abdeckung angebracht ist. Bleibt das Spa unabgedeckt, erhöht sich die Heizdauer. Bitte verwenden Sie das Spa nicht, wenn die Umgebungstemperatur unter 4 °C (39 °F) liegt.

## TECHNISCHE DATEN LAY-Z-SPA™ VEGAS AirJet (#54112)

Geignet für:	4-6 Personen	Massage-Turboblase:	800W	Heizleistung:	Ca. 1,5-2°C/h (3-4°F/h)
Wasserkapazität (80%):	935 L (247 gal)	Heizelement:	2.000W bei 20°C	Aktueller Wasserfluss:	1.325 L/h (350 gal/h)
Größe aufblasen:	1,96m x 61cm (77" x 24")	Pumpe:	50 W Umwälzpumpe	Versorgungspannung/Wartleistung:	220-240V AC, 2.050W bei 20°C
Füllgewicht:	966 kg (2.130 Lb)	Temperaturbereich:	40°C (104°F)	Betriebsdruck:	0,8PSI (0,055Bar)

**HINWEIS:** Die oben genannte Heizleistung basiert auf einen Labortest bei einer Umgebungstemperatur von 25°C (77°F) und höher.



Teile-Nr.	Teile-Artikelnummer	Bezeichnung	ANZ.
001	54112TASS15	Pool-Innenverkleidung / Poolhaut	1
002	P4-H054ASS17	Spa-Heizung	1
003	P5H284GASS17	Obere Kunstleder-Abdeckung	1
004	P5H284TASS17	Kunstleder-Ummantelung	1
005	54112GASS15	Aufblasbare Abdeckung	1
006	P6931	Aufblassschlauch	1
007	P6653	Filterset	1
008	58426S17	Chemikalienschwimmer	1
009	P6575	Stopfen	2
010	P6932	Schlauchadapter	1
011	F4A024ASS	Schraubventil	1
012	P6611	Abdeckungsadapter A	1
013	F6414ASS	Schnalle	8
014	58323	Filterkartusche (VI)	2

## TECHNISCHE DATEN LAY-Z-SPA™ MONACO AirJet (#54113)

Geignet für:	6-8 Personen	Massage-Turboblase:	800W	Heizleistung:	Ca. 1,0-1,5°C/h (2-3°F/h)
Wasserkapazität (80%):	1.463 L (384 gal.)	Heizelement:	2.000W bei 20°C	Aktueller Wasserfluss:	1.325 L/h (350 gal/h)
Größe aufblasen:	2,01m x 69cm (79" x 27")	Pumpe:	50 W Umwälzpumpe	Versorgungspannung/Wartleistung:	220-240V AC, 2.050W bei 20°C
Füllgewicht:	1.490 kg (3.284 Lb)	Temperaturbereich:	40°C (104°F)	Betriebsdruck:	7PSI-10PSI (0,48Bar-0,69Bar)

**HINWEIS:** Die oben genannte Heizleistung basiert auf einen Labortest bei einer Umgebungstemperatur von 25°C (77°F) und höher.

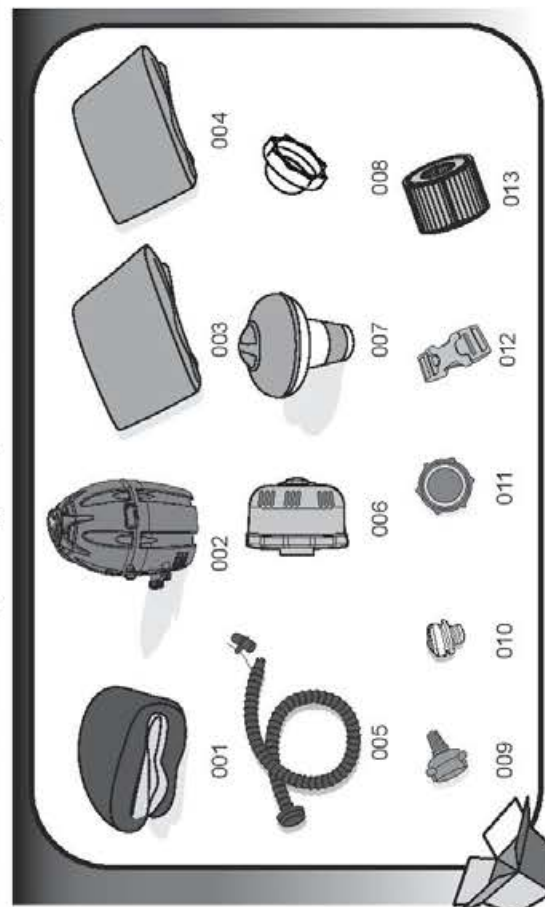


Teile-Nr.	Teile-Artikelnummer	Bezeichnung	ANZ.
001	54113TASS17	Pool-Innenverkleidung / Poolhaut	1
002	P4D148ASS17	Spa-Heizung	1
003	P5D288ASS17	Obere Kunstleder-Abdeckung	1
004	54113GASS17	Aufblasbare Abdeckung	1
005	P6931	Aufblassschlauch	1
006	P6653	Filterset	1
007	58426S17	Chemikalienschwimmer	1
008	P3054Q17	Hochdruck-Handluftpumpe	1
009	F6H189ASS15	Schraubenschlüssel	1
010	P6675	Stopfen	2
011	P6932	Schlauchadapter	1
012	P6608	Druckmesser	1
013	P6611	Abdeckungsadapter A	1
014	12632ASS15	Isolierende Bodenmatte	4
015	P6H-971	Aufblasventil	1
016	F6414ASS	Schnalle	6
017	58323	Filterkartusche (VI)	2

### TECHNISCHE DATEN LAY-Z-SPA™ MIAMI AirJet (#54123)

Geeignet für:	2-4 Personen	Massage-Turbogebläse:	800W	Heizleistung:	Ca. 1,5-2°C/h (3-4°F/h)
Wasserkapazität (80%):	669 L (177 gal)	Heizelement:	2.000W bei 20°C	Aktueller Wasserfluss:	1.325 L/h (350 gal/h)
Größe aufblasen:	1,80m x 66cm (7'1" x 26")	Pumpe:	50 W Umwälzfilterpumpe	Versorgungsspannung/Wartleistung:	220-240V AC, 2.050W bei 20°C
Füllgewicht:	696 kg (1.534 Lb)	Temperaturbereich:	40°C (104°F)	Betriebsdruck:	0,8PSI (0,055Bar)

**HINWEIS:** Die oben genannte Heizleistung basiert auf einen Labortest bei einer Umgebungstemperatur von 25°C (77°F) und höher.

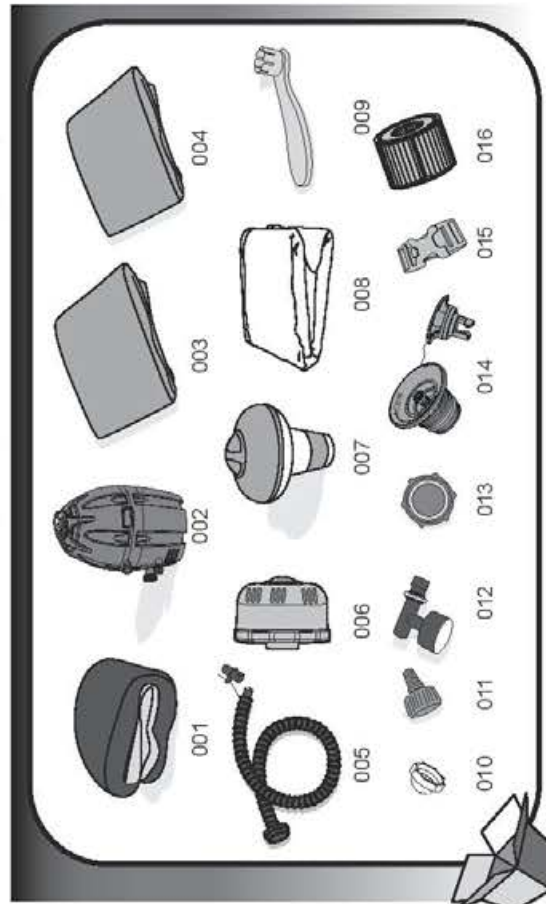


Teile-Nr.	Teile-Artikelnnummer	Bezeichnung	ANZ.
001	54123TASS17	Pool-Innenverkleidung / Poolhaut	1
002	P4H054ASS17	Spa-Heizung	1
003	P5C364ASS17	Verstärkte obere Abdeckung	1
004	54123GASS17	Aufblasbare Abdeckung	1
005	P6931	Aufblasschlauch	1
006	P6653	Filterset	1
007	58426S17	Chemikalienschwimmer	1
008	P6575	Stopten	2
009	P6932	Schlauchadapter	1
010	F4024ASS	Schraubventil	1
011	P6611	Abdeckungsadapter A	1
012	F6414ASS	Schnalle	6
013	58323	Filterkartusche (VI)	2

### TECHNISCHE DATEN LAY-Z-SPA™ PALM SPRINGS AirJet (#54129)

Geeignet für:	4-6 Personen	Massage-Turbogebläse:	800W	Heizleistung:	Ca. 1,5-2°C/h (3-4°F/h)
Wasserkapazität (80%):	916 L (242 gal)	Heizelement:	2.000W bei 20°C	Aktueller Wasserfluss:	1.325 L/h (350 gal/h)
Größe aufblasen:	1,96m x 71cm (77" x 28")	Pumpe:	50 W Umwälzfilterpumpe	Versorgungsspannung/Wartleistung:	220-240V AC, 2.050W bei 20°C
Füllgewicht:	954 kg (2.103 Lb)	Temperaturbereich:	40°C (104°F)	Betriebsdruck:	1,2PSI (0,08Bar)

**HINWEIS:** Die oben genannte Heizleistung basiert auf einen Labortest bei einer Umgebungstemperatur von 25°C (77°F) und höher.

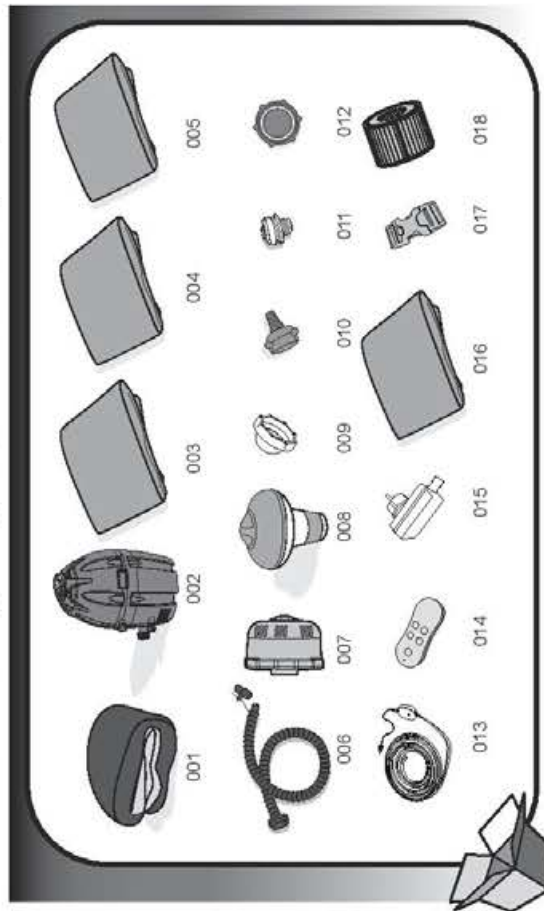


Teile-Nr.	Teile-Artikelnnummer	Bezeichnung	ANZ.
001	54129TASS17	Pool-Innenverkleidung / Poolhaut	1
002	P4E079ASS17	Spa-Heizung	1
003	P5B401ASS17	Obere Kunststoffler-Abdeckung	1
004	54129GASS17	Aufblasbare Abdeckung	1
005	P6930	Aufblasschlauch	1
006	P6653	Filterset	1
007	58426S17	Chemikalienschwimmer	1
008	58321(H)S15	Bodenmatte	1
009	F6H189ASS15	Schraubenschlüssel	1
010	P6575	Stopten	2
011	P6H565	Schlauchadapter	1
012	P6T199	Druckmesser	1
013	P6611	Abdeckungsadapter A	1
014	P6H971	Aufblasventil	1
015	F6414ASS	Schnalle	6
016	58323	Filterkartusche (VI)	2

## TECHNISCHE DATEN LAY-Z-SPA™ PARIS AirJet (#54148)

Geignet für:	4-6 Personen	Massage-Turbogebläse:	800W	Heizleistung:	Ca. 1,5-2°C/h (3-4°F/h)
Wasserkapazität (80%):	806 L (213 gal)	Heizelement:	2.000W bei 20°C	Aktueller Wasserfluss:	1.325 L/h (350 gal/h)
Größe aufblasen:	1,96m x 0,66m (77" x 26")	Pumpe:	50 W Umwälzpumpe	Versorgungsspannung/Verleistung:	220-240V AC, 2.050W bei 20°C
Füllgewicht:	840 kg (1.851 Lb)	Temperaturbereich:	40°C (104°F)	Betriebsdruck:	0,8PSI (0,055Bar)

**HINWEIS:** Die oben genannte Heizleistung basiert auf einen Labortest bei einer Umgebungstemperatur von 25°C (77°F) und höher.

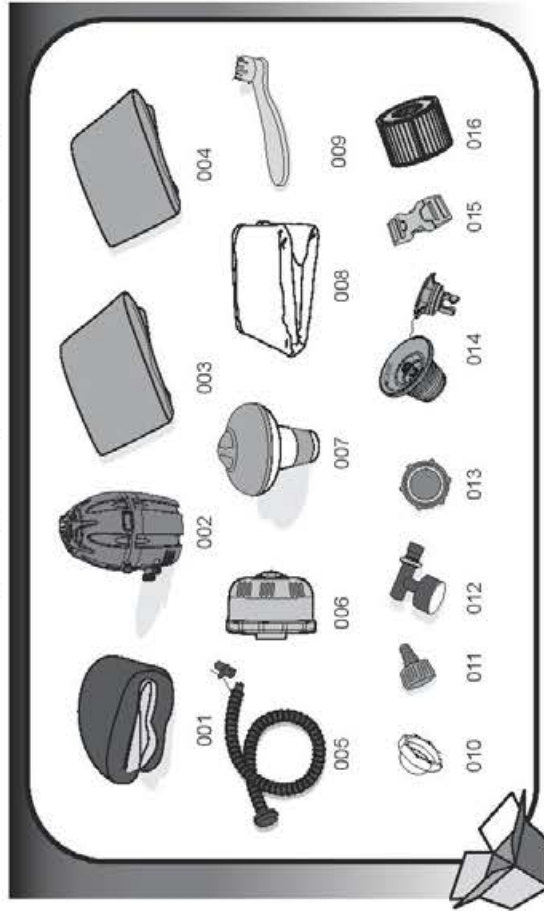


Teile-Nr.	Teile-Artikelnummer	Bezeichnung	ANZ.
001	54148TASS16	Pool-Innenverkleidung / Poolhaut	1
002	P4H054AASS17	Spa-Heizung	1
003	P5H284GASS17	Obere Kunstleder-Abdeckung	1
004	P5H513TASS17	Kunstleder-Ummantelung	1
005	54148GASS16	Aufblasbare Abdeckung	1
006	P6931	Aufblasschlauch	1
007	P6653	Filterset	1
008	58426S17	Chemikalienschwimmer	1
009	P6575	Stopfen	2
010	P6932	Schlauchadapter	1
011	F4A024AASS	Schraubventil	1
012	P6611	Abdeckungsadapter A	1
013	P61670	LED-Streifen	1
014	P61232	Fernbedienung	1
015	P61671	Transformator	1
016	58321(H)S15	Bodenmatte	1
017	F6414AASS	Schnalle	8
018	58323	Filterkartusche (VI)	2

## TECHNISCHE DATEN LAY-Z-SPA™ Hawaii AirJet (#54154)

Geignet für:	4-6 Personen	Massage-Turbogebläse:	800W	Heizleistung:	Ca. 1,5-2°C/h (3-4°F/h)
Wasserkapazität (80%):	840 L (222 gal.)	Heizelement:	2.000W bei 20°C	Aktueller Wasserfluss:	1.325 L/h (350 gal/h)
Größe aufblasen:	1,80m x 1,80m x 71cm (71" x 71" x 28")	Pumpe:	50 W Umwälzpumpe	Versorgungsspannung/Verleistung:	220-240V AC, 2.050W bei 20°C
Füllgewicht:	879 kg (1.938 Lb)	Temperaturbereich:	40°C (104°F)	Betriebsdruck:	1,2PSI (0,08Bar)

**HINWEIS:** Die oben genannte Heizleistung basiert auf einen Labortest bei einer Umgebungstemperatur von 25°C (77°F) und höher.

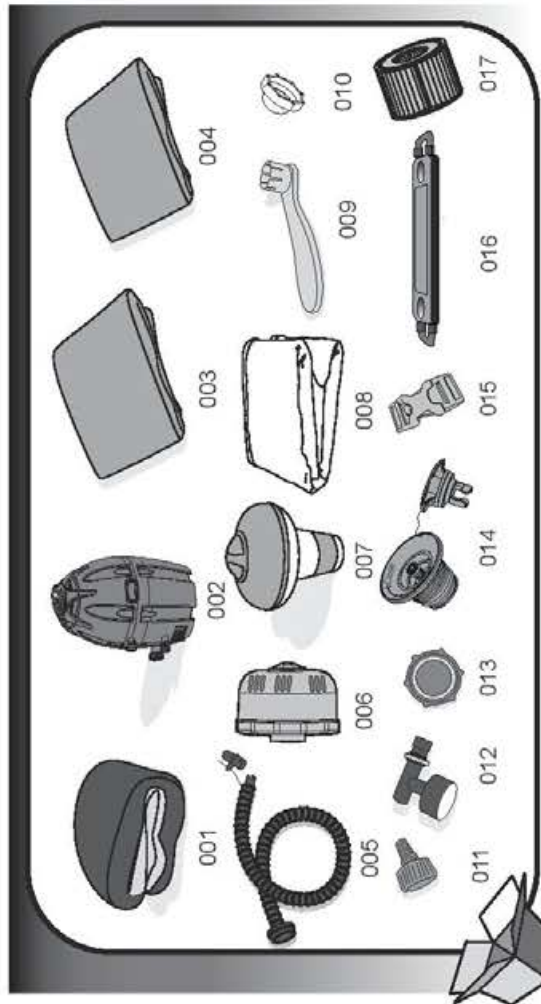


Teile-Nr.	Teile-Artikelnummer	Bezeichnung	ANZ.
001	54154TASS17	Pool-Innenverkleidung / Poolhaut	1
002	P4D148AASS17	Spa-Heizung	1
003	P5D588GASS17	Obere Kunstleder-Abdeckung	1
004	54138GASS17	Aufblasbare Abdeckung	1
005	P6930	Aufblasschlauch	1
006	P6653	Filterset	1
007	58426S17	Chemikalienschwimmer	1
008	58371(H)S15	Bodenmatte	1
009	F6H189AASS15	Schraubenschlüssel	1
010	P6575	Stopfen	2
011	P6H565	Schlauchadapter	1
012	P61199	Druckmesser	1
013	P6611	Abdeckungsadapter A	1
014	P6H971	Aufblasventil	1
015	F6414AASS	Schnalle	8
016	58323	Filterkartusche (VI)	2

## TECHNISCHE DATEN LAY-Z-SPA™ Siena AirJet (#54156)

Geeignet für:	2 Personen	Massage-Turboeblase:	800W	Heizleistung:	Ca. 2,2,5°C/h (3,5-4,5°F/h)
Wasserkapazität (80%):	509 L (134 gal.)	Heizelement:	2.000W at 20°C	Aktueller Wasserfluss:	1.325 L/h (350 gal/h)
Größe aufgeblasen:	2,49m x 1,49m x 66cm (98" x 59" x 26")	Pumpe:	50 W Umwälzfilterpumpe	Versorgungspannung/Wattleistung:	220-240V AC, 2.050W bei 20°C
Fullgewicht:	548 kg (1.205 Lb)	Temperaturbereich:	-40°C (10,4°F)	Betriebsdruck:	1,2PSI (0,08Bar)

**HINWEIS:** Die oben genannte Heizleistung basiert auf einem Labortest bei einer Umgebungstemperatur von 25°C (77°F) und höher.



Teile-Nr.	Teile-Artikelnummer	Bezeichnung	ANZ.
001	54156TASS17	Pool-Innenverkleidung / Poolhaut	1
002	P4H054ASS17	Spa-Heizung	1
003	P5694ASS17	Oberer Kunststoff-Abdeckung	1
004	54156GASS17	Aufblasbare Abdeckung	1
005	P6930	Aufblasschlauch	1
006	P6653	Filterset	1
007	58426S17	Chemikalienschwimmer	1
008	P5696	Bodenmatte	1
009	F6H189ASS15	Schraubenschlüssel	1
010	P6675	Stopfen	2
011	P6H565	Schlauchadapter	1
012	P61199	Druckmesser	1
013	P6611	Abdeckungsadapter A	1
014	P6H971	Aufblasventil	1
015	F6414ASS	Schmalle	8
016	P5595	Getränketisch	1
017	58323	Filterkartusche (VI)	2

## INSTALLATION

### Aufstellort

**WARNUNG:** Der gewählte Ort muss über ausreichende Tragfähigkeit für die zu erwartende Last verfügen.

**WARNUNG:** Sowohl bei Installationen in Innenräumen als auch im Freien muss ein geeignetes Abflusssystem zur Verfügung stehen.

**WICHTIG:** Durch das kombinierte Gewicht von Lay-Z-Spa, Wasser und Personen ist es äußerst wichtig, dass der Untergrund, auf dem das Spa installiert wird, glatt, eben und für die gesamte Dauer der Verwendung in der Lage ist, die zu erwartende Last zu tragen (nicht auf dem Teppich oder ähnlichem Material). Wenn das Lay-Z-Spa auf einer Oberfläche platziert wird, die diese Anforderungen nicht erfüllt, sind sämtliche hierdurch entstehenden Schäden nicht durch die Herstellergewährleistung abgedeckt. Der Besitzer des Lay-Z-Spas ist dafür verantwortlich, die Integrität des Aufstellungsortes jederzeit zu gewährleisten.

### 1. Installation in Innenräumen:

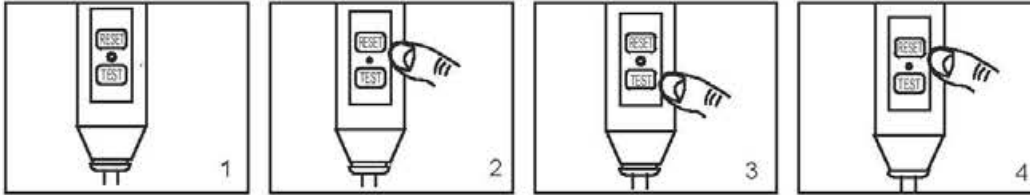
**Beachten die besonderen Anforderungen für die Installation in Innenräumen.**

- Feuchtigkeit ist ein natürlicher Nebeneffekt der Installation des Lay-Z-Spas. Berücksichtigen Sie die Auswirkungen der erhöhten Luftfeuchtigkeit auf Holz, Papier etc. am Aufstellort. Diese Auswirkungen werden am besten durch eine gute Belüftung des gewählten Bereichs minimiert. Ein Architekt kann bestimmen, ob zusätzliche Belüftung erforderlich ist.

### 2. Installation im Freien:

- Während des Befüllens, Entleerens oder während der Benutzung kann Wasser aus dem Spa austreten. Daher muss das Spa in der Nähe eines Bodenabflusses installiert werden.
- Die Oberfläche des Spas darf nicht längere Zeit direktem Sonnenlicht ausgesetzt sein.

## PRCD Test



**HINWEIS:** Die Zeichnungen dienen lediglich Illustrationszwecken. Möglicherweise ist nicht das vorliegende Produkt dargestellt. Nicht maßstabsgetreu.

1. Setzen Sie den Stecker ein.
2. Betätigen Sie den „RESET“-Knopf; die Leuchtanzeige wird eingeschaltet.
3. Betätigen Sie den „TEST“-Knopf; die Leuchtanzeige schaltet sich aus.
4. Betätigen Sie den „RESET“-Knopf; die Leuchtanzeige wird eingeschaltet.
5. Betätigen Sie 2 Sekunden lang den „Ein-/Aus“-Schalter; Ihre Pumpe ist einsatzbereit.



**WARNUNG:** Der PRCD-Stecker muss vor jeder Verwendung überprüft werden, um die Gefahr eines elektrischen Schlages zu vermeiden.

**WARNUNG:** Vergewissern Sie sich, dass die Netzspannung der Steckdose für die Pumpe geeignet ist, bevor Sie den Netzstecker in die Steckdose einstecken.

**WARNUNG:** Wenn dieser Test fehlschlägt, verwenden Sie die Pumpe nicht und wenden Sie sich bitte an unseren Kundendienst.

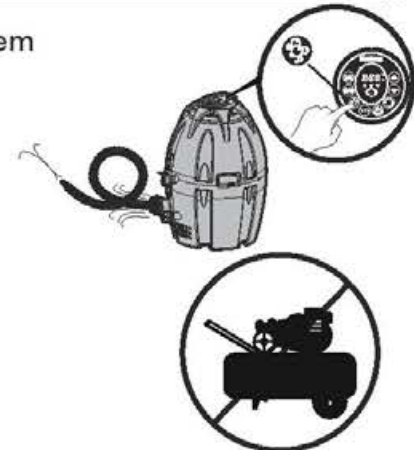
**HINWEIS:** Beim Aufpumpen werden Sie feststellen, dass die Luft aus dem Bereich ausgestoßen wird, in dem der Luftschlauch an die Pumpe angeschlossen ist. Dies ist aus technischen Gründen normal.

**HINWEIS:** Verwenden Sie keinen Druckluftkompressor zum Aufblasen des Pools.

**HINWEIS:** Ziehen Sie den Pool nicht über den Boden, da dies die Innenverkleidung des Pools beschädigen kann.

**HINWEIS:** Aufblasdauer nur als Richtwert.

**HINWEIS:** Der Druckmesser dient lediglich Referenzzwecken beim Aufblasen und darf nicht als Präzisionsinstrument verwendet werden.

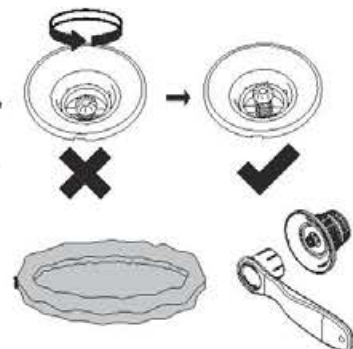


**Prüfung des Luftventils (für Spa mit Ventil zum schnellen Aufblasen/Ablassen der Luft)** Prüfen Sie das Luftventil vor dem Aufblasen stets sorgfältig, um sicherzustellen, dass es keine Leckagen aufweist. Ist das Luftventil gelockert, verwenden Sie den mitgelieferten Schraubenschlüssel, um es wie folgt festzuziehen:

Halten Sie die Rückseite des Ventils von der Innenseite des Spas mit einer Hand fest und drehen Sie den Schraubenschlüssel im Uhrzeigersinn.

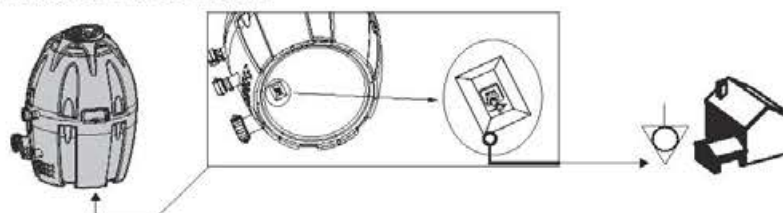
**HINWEIS:**

1. Nicht übermäßig festziehen.
2. Justieren Sie das Luftventil nicht, während das Spa benutzt wird.

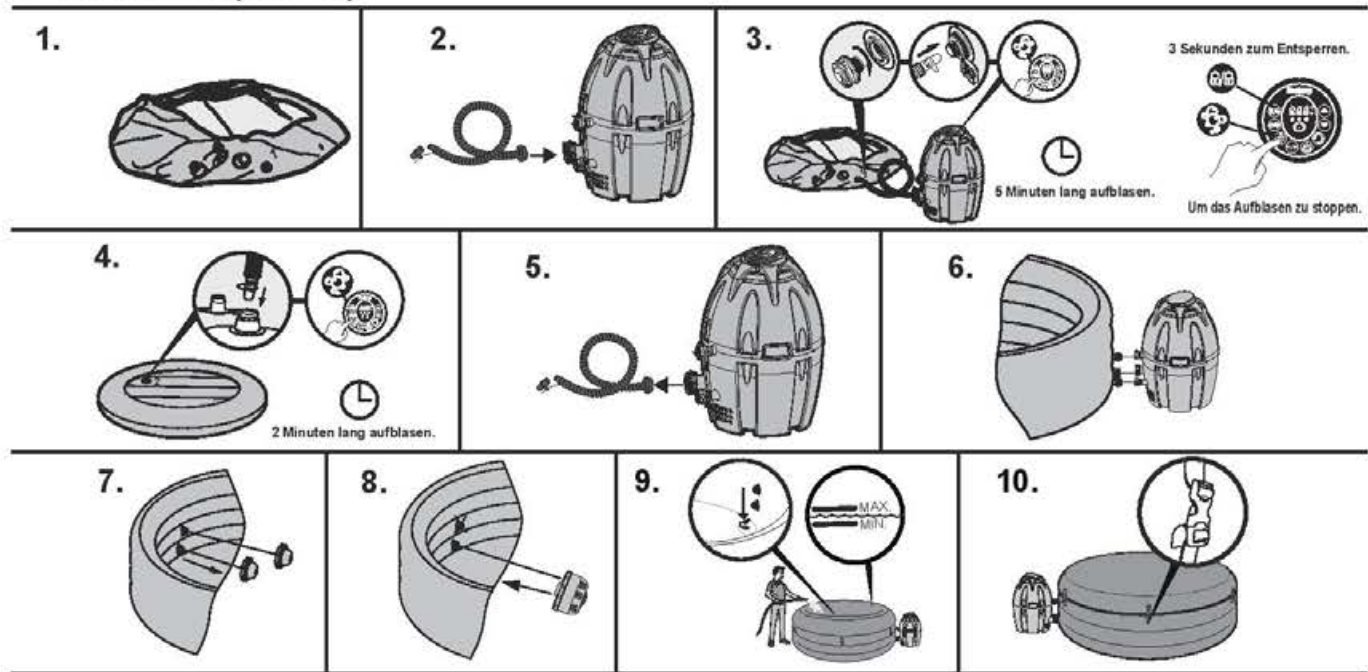


## POTENZIALAUSGLEICHSKLEMME DER SPA-PUMPE

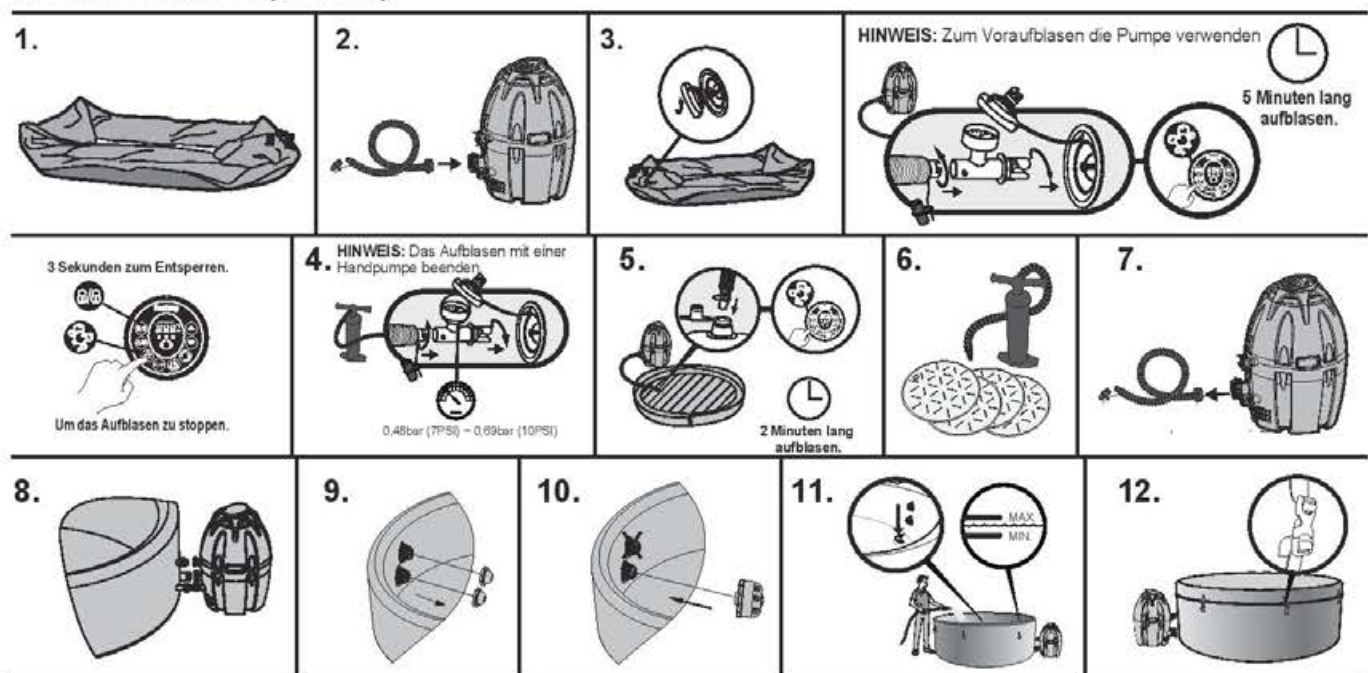
Es wird empfohlen, sich für die Verbindung der SPA-Pumpe mit einem Erdungsanschluss unter Verwendung eines massiven Kupferleiters mit einem Querschnitt von (mindestens) 2,5 mm<sup>2</sup> an einen qualifizierten Elektriker zu wenden.



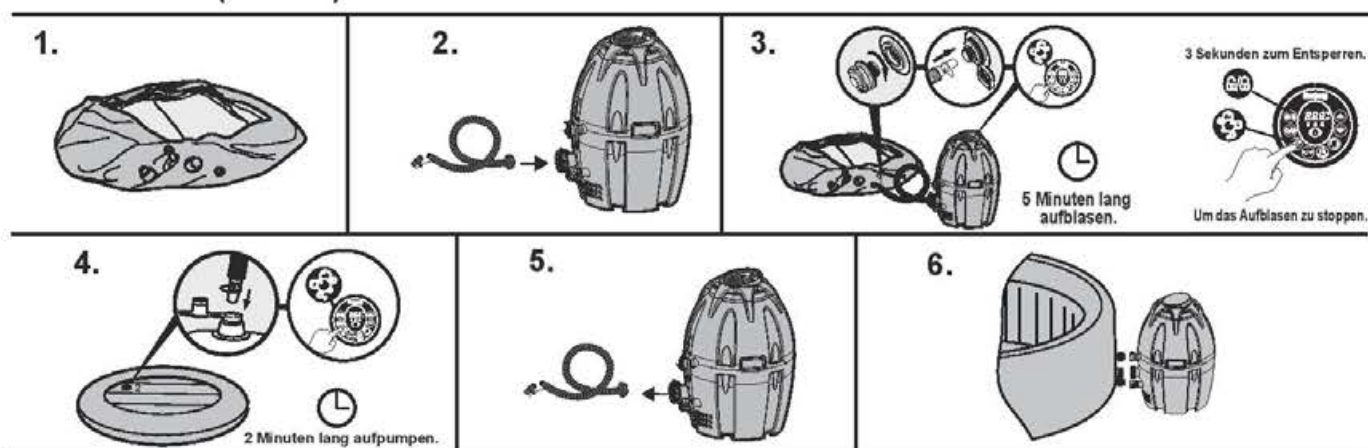
## VEGAS AirJet (#54112)

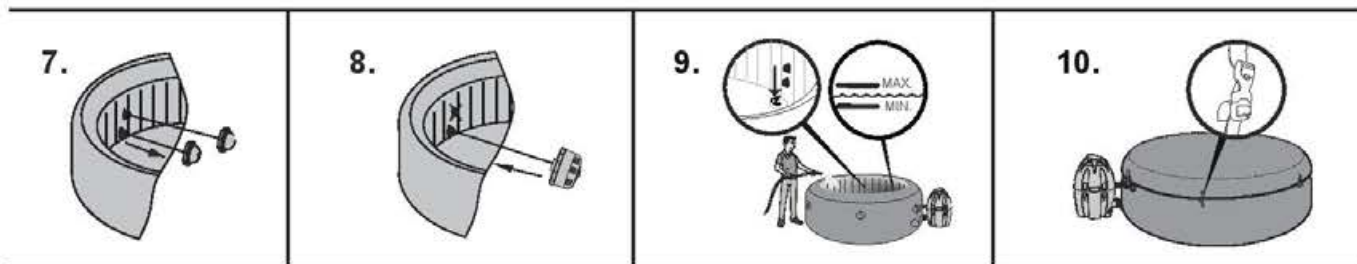


## MONACO AirJet (#54113)

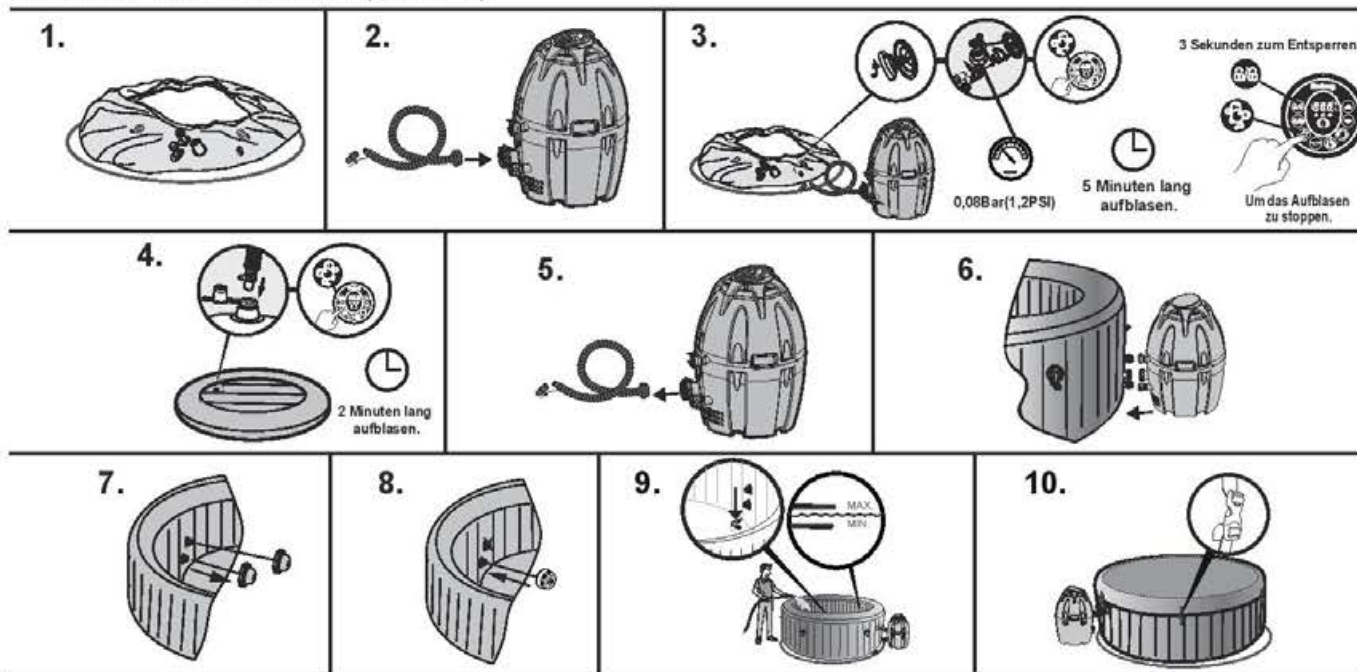


## MIAMI AirJet (#54123)

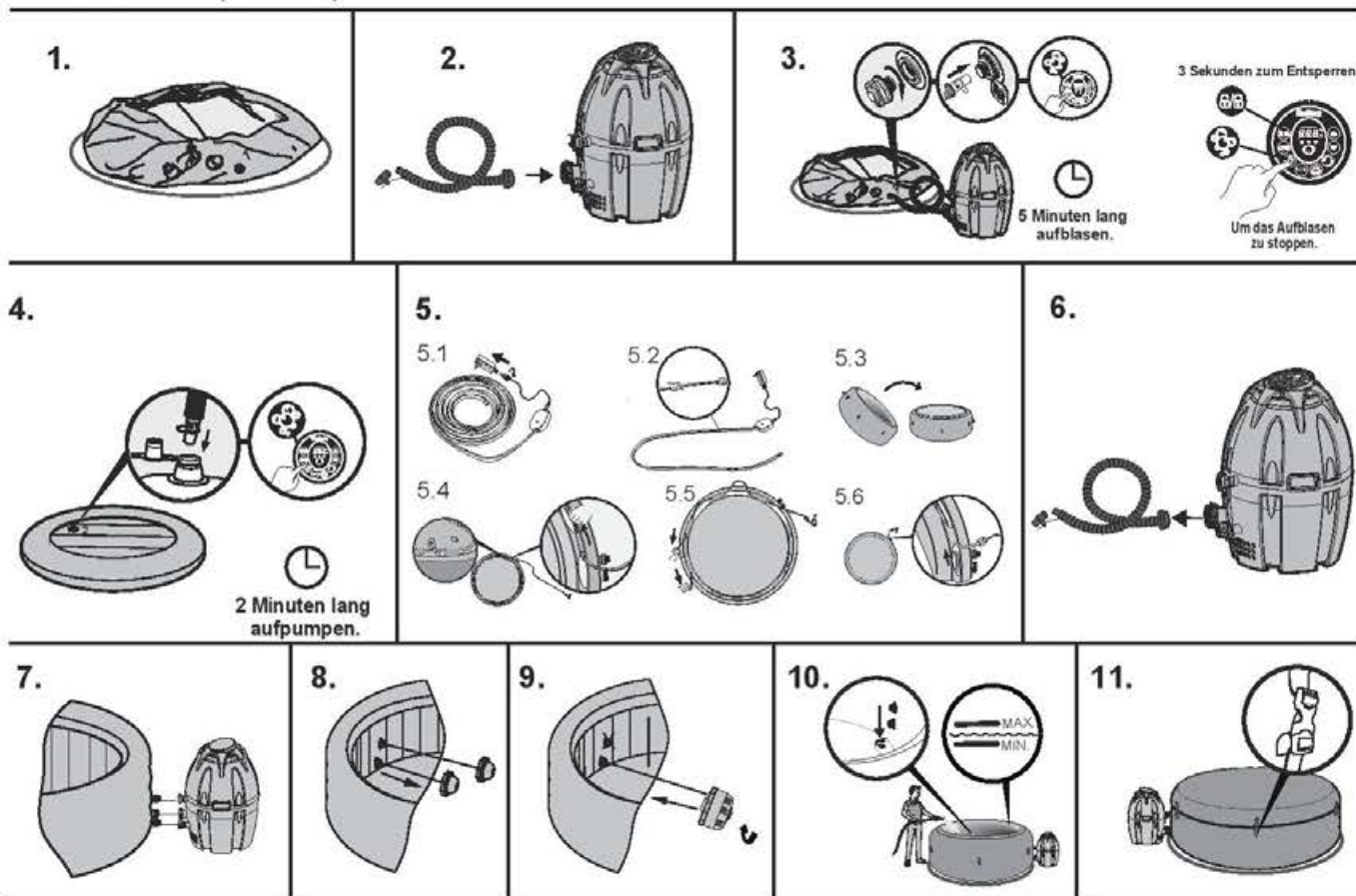




### PALM SPRINGS AirJet (#54129)

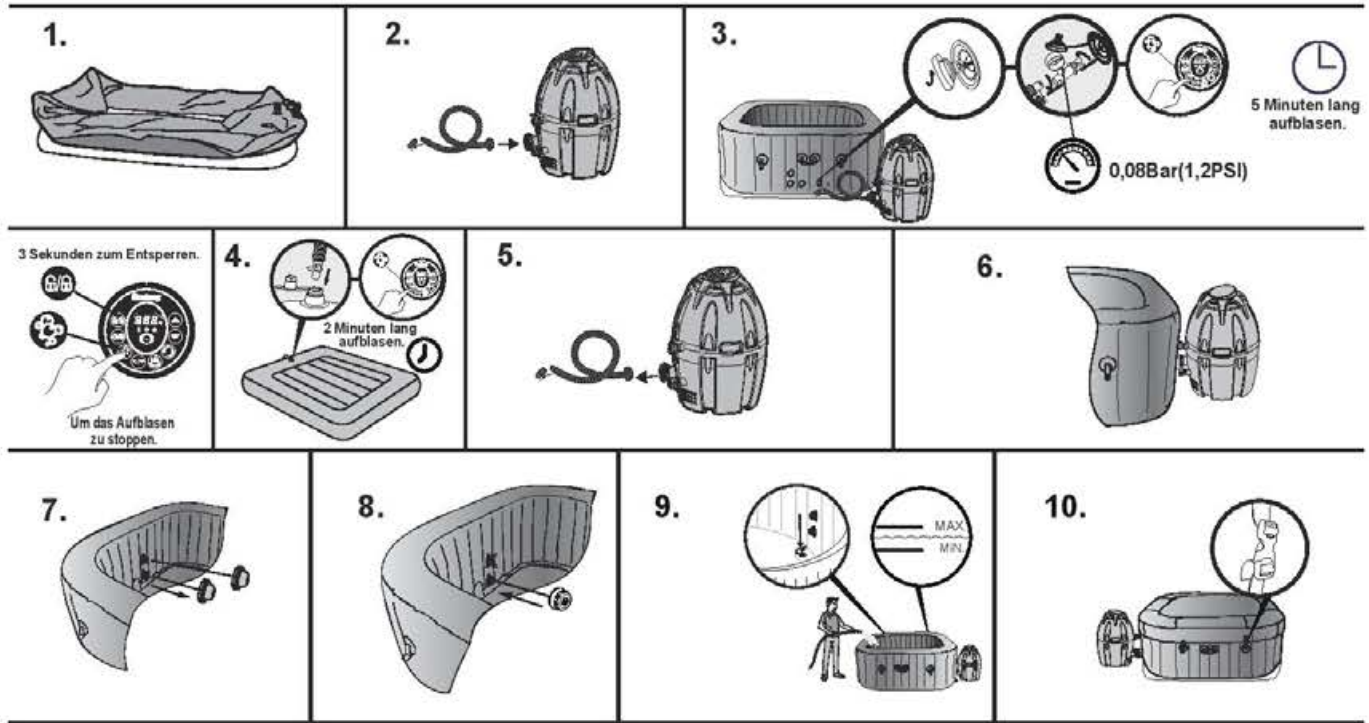


### PARIS AirJet (#54148)

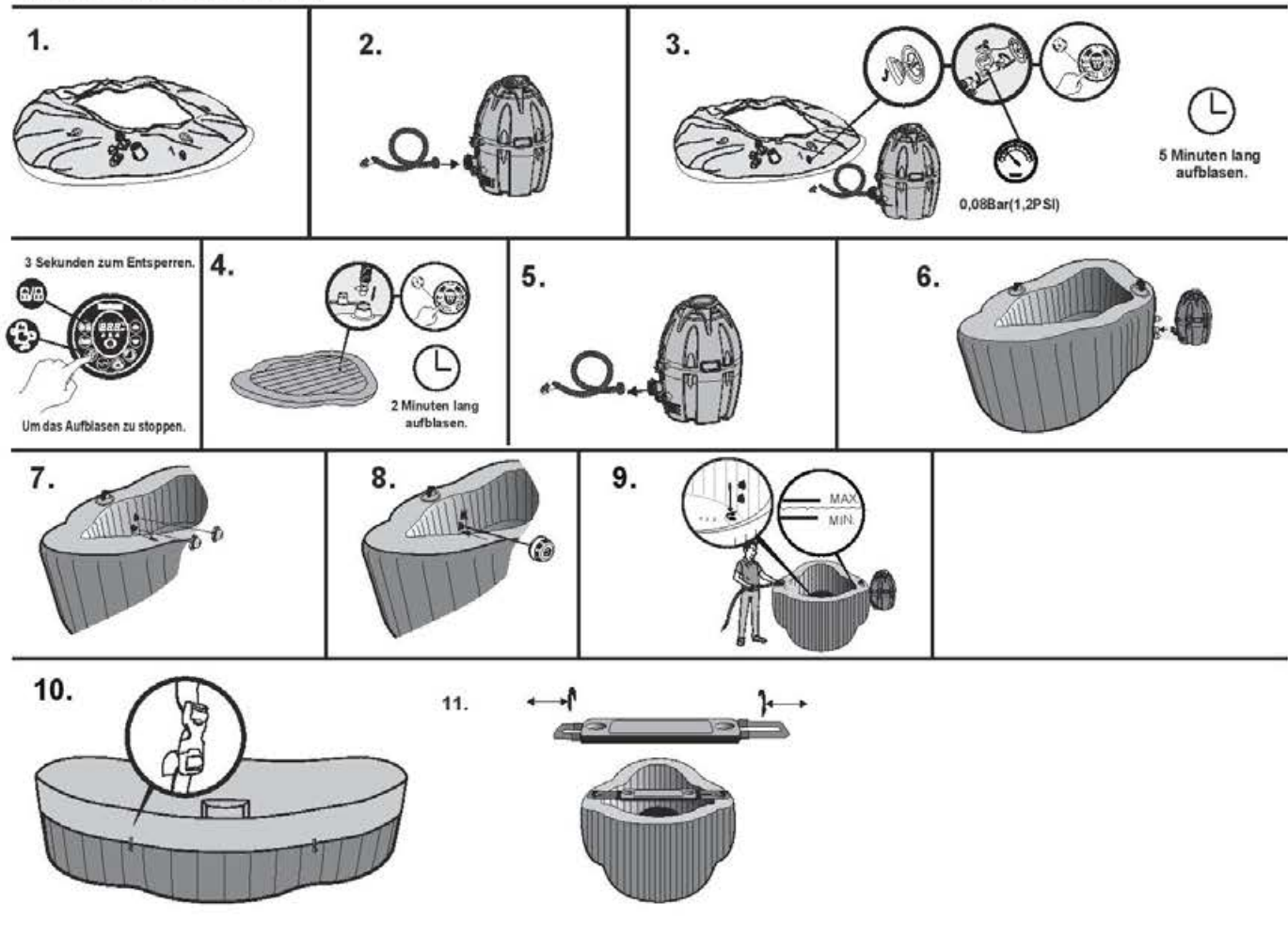




## HAWAII AirJet (#54154)



## SIENA AirJet (#54156)



## PUMPENBETRIEB

### Heizungs-Reset

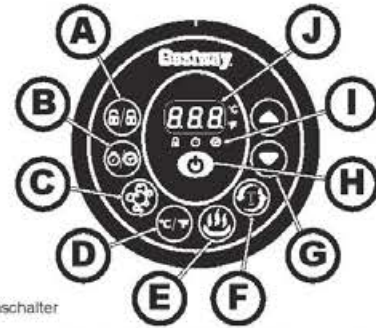
Bei der ersten Inbetriebnahme oder nach längerer Nichtbenutzung des Lay-Z-Spas muss der Resetknopf an der Pumpe mit einem kleinen schmalen Gegenstand betätigt werden.

### RESETKNOPF

#### WICHTIGE GEBRAUCHSANWEISUNGEN

Wenn sich die Temperaturanzeige am Bedienfeld (oder die Wassertemperatur) innerhalb von 4-5 Stunden nach Aktivierung des Heizsystems nicht verändert hat, verwenden Sie einen schmalen Gegenstand, um den RESETKNOPF zu drücken und starten Sie das Heizsystem neu.

**WICHTIG:** Das Heizsystem arbeitet nicht, wenn die Außentemperatur über 40°C (104°F) liegt oder das Lay-Z-Spa direktem Sonnenlicht ausgesetzt ist. In dies der Fall, warten Sie bitte eine kühlere Tageszeit ab, ehe Sie mit einem schmalen Objekt den RESETKNOPF betätigen und das Heizsystem neu starten.



### A Sperr-/Entsperrtaste

Die Pumpe verfügt über eine 5-minütige automatische Sperrung. Die LED-Leuchtanzeige erlischt, wenn die Pumpe gesperrt ist (keine Funktion aktiviert). Um die Pumpe zu sperren oder zu entsperren, drücken Sie die Sperr-/Entsperrtaste 3 Sekunden lang.

### B Stromspar-Timer-Taste

Dies ist eine neu hinzugefügte Funktion, die zur Vermeidung unnötigen Energieverbrauchs entwickelt wurde, denn mit ihr werden die Zeit und die Dauer des Heizzyklus für das SPA eingestellt. Auf diese Weise können Sie Ihr SPA zur gewünschten Zeit genießen, ohne die Heizung unnötig lange betreiben zu müssen.

#### SCHRITT 1: Stellen Sie die Heizdauer

- Drücken Sie die Taste die LED beginnt zu blinken.
- Drücken Sie die Taste oder , um die Heizdauer zu verändern (1-48 Stunden).
- Drücken Sie die Taste erneut, um die Heizdauer zu bestätigen.

#### SCHRITT 2: Stellen Sie die Anzahl der Stunden AB JETZT ein, nach denen die Heizung aktiviert werden soll

- Nach dem Einstellen der Heizdauer beginnt die LED zu blinken.
- Drücken Sie die Taste oder um die Anzahl der Stunden bis zur Aktivierung einzustellen (0-99 Stunden).
- Drücken Sie die Taste erneut oder betätigen Sie 10 Sekunden lang keinerlei Tasten, um die Einstellung zu bestätigen. Die LED leuchtet dauerhaft und der Countdown bis zur Aktivierung der Heizung wird gestartet.

Um die Timer-Einstellungen zu ändern: Drücken Sie die Taste und verändern Sie die Einstellung mit der Taste oder .

Um die Einstellung zu löschen: Drücken Sie die Taste 2 Sekunden lang.

**HINWEIS:** Nach dem Einstellen zeigt das Display abwechselnd die aktuelle Temperatur und Zeit ein.

**HINWEIS:** Der Timer (Zeitspanne mit EINGESCHALTETER Heizung) kann auf 1 bis 48 Stunden eingestellt werden; die Reservierungszeit (die Anzahl der Stunden AB JETZT, nach denen die Heizung zu funktionieren beginnt) kann auf 0 bis 99 Stunden eingestellt werden. Wird der Timer auf 0 Stunden eingestellt, wird das Heizsystem umgehend aktiviert.

Beachten Sie, dass der Timer jeweils für eine Verwendung eingestellt wird - der Benutzer stellt die Dauer des Heizzyklus ein und die Anzahl der Stunden ab jetzt, nach denen der Heizzyklus beginnt. Bis zum Reset wiederholt der Timer NICHT.

### C Lay-Z-Massagesystem-Taste

Verwenden Sie diese Taste, um das Massagesystem zu aktivieren, das über eine 30-minütige automatische Abschaltfunktion verfügt. Die Leuchtanzeige über der Lay-Z-Massagesystem-Taste leuchtet bei Aktivierung rot.

**WICHTIG:** Nehmen Sie das Lay-Z-Massagesystem nicht in Betrieb, wenn die Abdeckung angebracht ist. Es kann sich Luft im Inneren des Spa-Pools sammeln und irreparable Sachschäden und Verletzungen verursachen.

**HINWEIS:** Das Heiz- und das Massagesystem arbeiten zusammen, um einen warmen Massage-Effekt zu erzielen.



### D Celsius-/Fahrenheit-Umschalter

Die Temperatur kann entweder in Grad Fahrenheit oder in Grad Celsius angezeigt werden.

### E Heiz-Taste

Mit dieser Taste wird das Heizsystem aktiviert. Erscheint die Leuchtanzeige über der Heiz-Taste rot, ist das Heizsystem aktiviert. Erscheint die Leuchtanzeige grün, hat das Wasser die eingestellte Temperatur erreicht und das Heizsystem pausiert.

**HINWEIS:** Ist das Heizsystem aktiviert, startet das Filtersystem automatisch.

**HINWEIS:** Nach dem Abschalten des Heizsystems bleibt das Filtersystem weiter in Betrieb.

### F Wasserfilter-Taste

Diese Taste schaltet die Filterpumpe ein und aus. Die Leuchtanzeige über der Wasserfilter-Taste leuchtet bei Aktivierung rot.

### G Tasten zur Temperatureinstellung

Beim Betätigen der Tasten zum Erhöhen oder Senken der Temperatur blinkt die LED. Wenn sie blinkt, können Sie die gewünschte Temperatureinstellung vornehmen. Wenn Sie diese Tasten gedrückt halten, nehmen die Werte schnell zu oder ab. Die neue gewünschte Temperatureinstellung wird 3 Sekunden lang im LED-Display eingeblendet, um den neuen Wert zu bestätigen.

**HINWEIS:** Die Standardtemperatur beträgt 35°C (95°F).

**HINWEIS:** Die Temperatur kann zwischen 20°C (68°F) und 40°C (104°F) eingestellt werden.

### H Ein-/Aus-Schalter

Drücken Sie diese Taste 2 Sekunden lang um die Tasten des Bedienfelds zu aktivieren. Die Leuchtanzeige leuchtet grün. Drücken Sie diese Taste 2 Sekunden lang, um alle gegenwärtig aktivierten Funktionen auszuschalten.

### I Energiespar-Timer-LED

Wenn diese LED blinkt, signalisiert dies, dass Sie die Heizdauer einstellen. Die Leuchtanzeige wird eingeschaltet, wenn der Betrieb der Heizfunktion beginnt.

Wenn diese LED blinkt, bedeutet dies, dass Sie die Anzahl der Stunden AB JETZT einstellen, wann die Heizung aktiviert werden soll. Ist die Leuchtanzeige eingeschaltet, wurde die Stromspar-Timer-Funktion eingestellt.

### J LED Display

Nach dem Einschalten zeigt die LED automatisch die aktuelle Wassertemperatur an.

Nach einer Filterdauer von 72 Stunden (ohne Nutzung des Energiespar-Timers) pausiert die Pumpe und die Meldung "Ende" wird gemeinsam mit der aktuellen Wassertemperatur blinkend angezeigt. Beim Pausieren der Pumpe werden sowohl die Heiz- als auch die Wasserfilterfunktionen deaktiviert. Um die Pumpe wieder zu aktivieren, drücken Sie den Sperr-/Entsperrknopf 3 Sekunden lang.

**HINWEIS:** Die Heizgeschwindigkeit kann sich abhängig von den unten aufgeführten Bedingungen ändern:

• Bei Außentemperaturen unter 15°C (59°F).

• Wenn die Abdeckung bei eingeschalteter Heizfunktion nicht angebracht ist.

**HINWEIS:** Zur Anzeige der aktuellen Wassertemperatur muss das Filtersystem mindestens eine Minute in Betrieb sein. Die Wassertemperatur kann bei Prüfung mit einem externen Thermometer von der auf der Spa-Anzeige eingeblendeten Temperatur um ca. 2°C abweichen.

## Alarmer

Auswirkungen	Ursachen	Lösungen
<b>EO1</b> Die Wasserdurchflusssensoren arbeiten, ohne Betätigung der Filter- oder Heiztaste.	1. Die Messanzeigen der Wasserdurchflussmesser sind nicht in die korrekte Position zurückgekehrt. 2. Die Wasserdurchflussmesser sind beschädigt.	1. Stecken Sie den Netzstecker vorsichtig aus, schlagen Sie leicht doch nicht gewaltsam gegen die Seite der Pumpe und stecken Sie den Netzstecker wieder ein. 2. Kontaktieren Sie Ihren lokalen Bestway Kundendienst bezüglich der weiteren Vorgehensweise.
<b>EO2</b> Die Wasserdurchflussmesser erkennen nach dem Starten oder während des Filter- und/oder Heizbetriebs keinen Wasserfluss.	1. Sie haben vergessen, die 2 Verschlussstopfen von der Innenseite des Pools zu entfernen. 2. Die Filterkartuschen sind verschmutzt. 3. Aktivieren Sie das Filter- oder Heizsystem und halten Sie Ihre Hand vor das Auslassrohr an der Innenseite des Pools, um den Wasserfluss zu prüfen. a. Fließt kein Wasser heraus, so ist die Wasserpumpe beschädigt. b. Fließt Wasser heraus, doch die Alarmmeldung <b>EO1</b> wird angezeigt, sind die Wasserdurchflussmesser beschädigt.	1. Entfernen Sie vor dem Heizen die zwei Verschlussstopfen, beachten Sie die Anweisungen zur Montage im entsprechenden Abschnitt des Benutzerhandbuchs. 2. Nehmen Sie die Filtereinheit aus dem Pool und drücken Sie den Filter- oder Heizknopf. Wird kein Alarm angezeigt, reinigen oder wechseln Sie die Filterkartusche und setzen Sie die Filtereinheit wieder in den Pool ein. 3. Kontaktieren Sie Ihren lokalen Bestway Kundendienst bezüglich der weiteren Vorgehensweise.
<b>EO3</b> Das Thermometer der Pumpe misst eine Wassertemperatur unterhalb 4°C (40°F).	1. Die Wassertemperatur beträgt weniger als 4°C (40°F). 2. Beträgt die Wassertemperatur mehr als 7°C (44,6°F), ist das Pumpenthermometer defekt.	1. Das Spa ist nicht für den Betrieb mit Wassertemperaturen unterhalb 4°C (40°F) konstruiert. Stecken Sie die Pumpe aus und starten Sie die Pumpe erst wieder, nachdem die Wassertemperatur 6°C (43°F) erreicht hat. 2. Kontaktieren Sie Ihren lokalen Bestway Kundendienst bezüglich der weiteren Vorgehensweise.
<b>EO4</b> Das Pumpenthermometer misst eine Wassertemperatur oberhalb 50°C (122°F).	1. Die Wassertemperatur beträgt mehr als 50°C (122°F). 2. Beträgt die Wassertemperatur weniger als 45°C (113°F), ist das Pumpenthermometer defekt.	1. Das Spa ist nicht für den Betrieb mit Wassertemperaturen oberhalb 40°C (104°F) konstruiert. Stecken Sie die Pumpe aus und starten Sie die Pumpe erst wieder, nachdem die Wassertemperatur auf 38°C (100°F) oder weniger gesunken ist. <b>WICHTIG:</b> Drücken Sie den Resetknopf an der Pumpe, bevor Sie diese neu starten. 2. Kontaktieren Sie Ihren lokalen Bestway Kundendienst bezüglich der weiteren Vorgehensweise.
<b>EO5</b> Die Anschlüsse des Pumpenthermometers sind fehlerhaft.	1. Die Anschlüsse des Pumpenthermometers arbeiten nicht korrekt. 2. Das Thermometer der Pumpe ist beschädigt.	Kontaktieren Sie Ihren lokalen Bestway Kundendienst bezüglich der weiteren Vorgehensweise.
<b>EO8</b> Problem mit der manuellen Rücksetzung des Thermo-schutzes.	Die manuelle Rücksetzung des Thermo-schutzes ist blockiert.	1. Ziehen Sie den Netzstecker der Pumpe und drücken Sie den Resetknopf der Pumpe. Stecken Sie den Netzstecker der Pumpe anschließend wieder ein. 2. Sollte die Fehlermeldung weiterhin angezeigt werden, lesen Sie die Anweisungen für den RESETKNOPF im Handbuch. 3. Kontaktieren Sie Ihren lokalen Bestway Kundendienst bezüglich der weiteren Vorgehensweise.

## WARTUNG

**HINWEIS:** Ihr Spa muss gelegentlich erneut aufgeblasen werden. Tageszeitbedingte Temperaturschwankungen führen zu einer Veränderung des Drucks und ein bestimmter Teil der Luft kann entweichen. Bitte befolgen Sie die Montageanweisungen und lassen Sie das Wasser aus dem Spa ab, bevor Sie den erforderlichen Luftdruck wieder herstellen.

**VORSICHT:** SIE MÜSSEN SICHERSTELLEN, DASS DIE PUMPE VON DER ENERGIEVERSORGUNG GETRENNT IST, BEVOR SIE MIT WARTUNGSARBEITEN AM SPA BEGINNEN, DA ANSONSTEN DAS RISIKO VON VERLETZUNGEN BIS HIN ZUM TOD BESTEHT.  
**HINWEIS:** Kontrollieren und reinigen Sie Ihre Filterkartusche jeden Tag gemäß der unten beschriebenen Schritte, um sicherzugehen, dass das Wasser in Ihrem Spa sauber bleibt.  
**HINWEIS:** Wir empfehlen, Ihre Filterkartuschen wöchentlich zu wechseln oder diese zu ersetzen, wenn sie verschmutzt und verfärbt bleiben.



### Wartung des Wassers

Es ist notwendig, das Wasser in Ihrem SPA sauber und chemisch im Gleichgewicht zu halten. Einfaches Reinigen der Filterkartusche genügt für eine korrekte Wartung nicht. Wir empfehlen Ihnen, Pool-Chemikalien zu verwenden, um die Wasserchemie zu erhalten und Chlor- oder Bromtabletten (kein Granulat verwenden) im Chemikalienschwimmer.

Das Wasser muss ca. alle 3 Tage gewechselt werden. Dies ist nur ein Richtwert. Die Wasserqualität wird durch die Häufigkeit der Benutzung, die Anzahl der Personen und die allgemeine Wartung beeinflusst.

**Hinweis:** Wir empfehlen, vor der Benutzung Ihres Lay-Z-Spas zu duschen, da kosmetische Produkte, Lotionen und andere Rückstände auf der Haut die Wasserqualität schnell beeinträchtigen können. Für die Verwendung des Chemikalienschwimmers bitte die nachstehenden Anweisungen befolgen.

Verwendung von Chemikalienschwimmern (nicht enthalten):



Verwendung von Chemikalienschwimmern (nicht enthalten):



**HINWEIS:** Entfernen Sie den Chemikalienschwimmer aus dem Spa, wenn dieses benutzt wird.

**WICHTIG:** Nach der chemischen Wartung und vor der Benutzung des Spas ein Testkit / Teststreifen verwenden (nicht enthalten), um die Wasserchemie zu testen. Wir empfehlen die Wasserwartung gemäß der unten stehenden Tabelle.

pH	Gesamthärte	Freies Chlor
7,4-7,6	80-120 ppm	2-4 ppm

**HINWEIS:** Schäden, die aus einem chemischen Ungleichgewicht resultieren, sind nicht durch die Garantie abgedeckt. Poolchemikalien sind potentiell giftig und müssen vorsichtig gehandhabt werden. Es bestehen ernste Gesundheitsgefahren durch chemische Dämpfe und die inkorrekte Etikettierung und Aufbewahrung von Chemikalienbehältern. Bitte wenden Sie sich an Ihren lokalen Poolchemikalienhändler, um mehr Informationen zur chemischen Wasserpflege zu erhalten. Halten Sie sich streng an die Anweisungen des Chemikalienherstellers. Schäden am Spa durch unsachgemäße Chemikalienanwendung und unzureichende Pflege des Wassers werden nicht von der Garantie gedeckt.

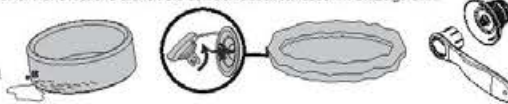
### Luftventileinstellung (Nur für #54113 #54129 #54154 #54156)

Im Fall von Luftverlusten zuerst das Luftventil kontrollieren. Unter Verwendung von Seifenwasser das Luftventil bedecken, um zu kontrollieren, ob Luft entweicht. Ist dies der Fall, den im Lieferumfang enthaltenen Schlüssel verwenden, um das Luftventil wie folgt anzuziehen.

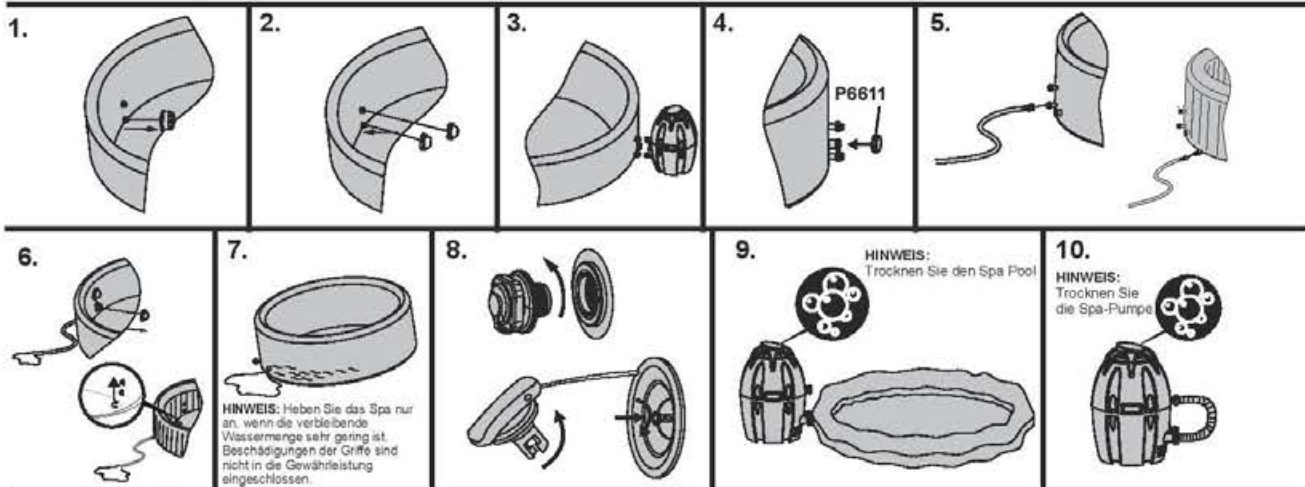
• Halten Sie die Rückseite des Ventils von der Innenseite des Spas mit einer Hand fest und drehen Sie den Schraubenschlüssel im Uhrzeigersinn.

### HINWEIS:

1. Nicht übermäßig festziehen.
2. Prüfen Sie vor der Benutzung stets sorgfältig das Luftventil.
3. Justieren Sie das Luftventil nicht, während das Spa benutzt wird.



## Entleeren des Spas



## Reinigung des Spas

Washmittelrückstände und gelöste Feststoffe aus Badeanzügen und Chemikalien können sich an den Spa-Wänden ablagern. Verwenden Sie zum Reinigen der Wände Wasser und Seife und spülen Sie gründlich nach.

**HINWEIS:** Verwenden Sie KEINE harten Bürsten oder Scheuermittel.

### Reparatur des Spas

Für Spa #54112, #54123, #54148 und aufblasbare Abdeckungen.

Weist das Spa Risse oder Löcher auf, verwenden Sie den im Lieferumfang enthaltenen strapazierfähigen Reparaturflicken.

1. Reinigen Sie den zu reparierenden Bereich.
2. Ziehen Sie den Flecken vorsichtig ab.
3. Drücken Sie den Flecken auf den zu reparierenden Bereich.
4. Warten Sie vor dem Aufblasen 30 Sekunden.

Für Spa #54113, #54129, #54154, #54156 (ohne aufblasbare Abdeckungen)

Sollte das Spa gerissen oder durchstochen sein, verwenden Sie den mitgelieferten Reparaturflicken und Klebstoff (nicht enthalten) und gehen Sie wie folgt vor:

1. Reinigen und trocknen Sie den zu reparierenden Bereich.
2. Schneiden Sie den mitgelieferten PVC-Flicken auf die richtige Größe zu.
3. Bestreichen Sie eine Seite des zugeschnittenen Flickens mit Klebstoff (nicht enthalten). Vergewissern Sie sich, dass der Klebstoff gleichmäßig verteilt ist.
4. Warten Sie 30 Sekunden und platzieren Sie anschließend den zugeschnittenen Flecken mit dem Klebstoff auf dem beschädigten Bereich.
5. Streichen Sie alle möglicherweise eingeschlossenen Luftblasen aus und drücken Sie den Flecken zwei Minuten lang fest an.
6. Das Produkt kann jetzt wieder verwendet werden. Wiederholen Sie dieses Vorgehen, falls weitere Lecks erkennbar werden.
7. Warten Sie 30 Minuten bis zum Aufblasen.

## Lagerung des Lay-Z-Spas

Vergewissern Sie sich, dass das Spa und die Pumpe vollständig trocken sind. Dies verlängert die Lebensdauer des Spas. Wir empfehlen den Einsatz der Pumpe, um das Spa, die Pumpe und Leitungen trockenzublasen. Entfernen Sie die Filtereinheiten und entsorgen Sie die gebrauchten Filterkartuschen. Bringen Sie die zwei Verschlussstopfen wieder auf den Ein- und Auslassventilen des Spas an. Es wird empfohlen, Ihr Spa in seiner Originalverpackung an einem warmen und trockenen Ort zu lagern.

**HINWEIS:** Kunststoff wird bei Temperaturen unter Null Grad spröde und anfällig für Brüche. Frost kann das Spa schwer beschädigen. Die unsachgemäße Einlagerung Ihres Spas im Winter kann zum Erlöschen der Garantie führen.

### Entsorgung



Bedeutung des durchgestrichenen Symbols der Abfalltonne auf Rädern: Entsorgen Sie elektrische und elektronische Geräte nicht über den unsortierten Hausmüll. Verwenden Sie separate Entsorgungseinrichtungen. Wenden Sie sich für Informationen zu den verfügbaren Sammelsystemen an Ihre lokale Abfallbehörde. Werden elektrische und elektronische Geräte in Deponien oder Müllhalden entsorgt, können Schadstoffe in das Grundwasser und somit in die Nahrungskette gelangen, wodurch Ihre Gesundheit und Ihr Wohlbefinden beeinträchtigt werden. Beim Ersatz von elektrischen und elektronischen Altgeräten durch neue ist der Einzelhändler gesetzlich zur kostenlosen Rücknahme und Entsorgung des Altgerätes verpflichtet.

**FEHLERSUCHE** Bestway strebt danach, die störungsfreisten Spas auf dem Markt anzubieten. Sollten Sie jegliche Probleme haben, zögern Sie nicht, sich an Bestway oder Ihren autorisierten Händler zu wenden. Hier einige hilfreiche Tipps, um Ihnen bei der Diagnose und der Behebung der häufigsten Störungsursachen zu helfen.

Probleme	Wahrscheinliche Ursachen	Lösungen
Pumpe arbeitet nicht	<ul style="list-style-type: none"> <li>- Stromausfall</li> <li>- Stromkreise beschädigt</li> </ul>	<ul style="list-style-type: none"> <li>- Stromquelle überprüfen</li> <li>- Wenden Sie sich bezüglich der weiteren Vorgehensweise an Ihr lokales Bestway-Kundendienstzentrum</li> </ul>
Die Pumpe heizt nicht korrekt	<ul style="list-style-type: none"> <li>- Zu niedrig eingestellte Temperatur</li> <li>- Verschmutzte Filterkartusche</li> <li>- Der Thermoschutz hat eine Abschaltung ausgelöst.</li> <li>- Das Spa ist nicht abgedeckt</li> <li>- Fehlfunktion des Heizelements oder Auslösen der Sicherung</li> </ul>	<ul style="list-style-type: none"> <li>- Erhöhen Sie die Temperatur, beachten Sie die Anweisungen im Abschnitt zum Betrieb der Pumpe</li> <li>- Reinigen / ersetzen Sie die Filterkartusche, beachten Sie die Anweisungen im Abschnitt zur Reinigung und zum Austausch der Filterkartusche</li> <li>- Ziehen Sie den Netzstecker der Pumpe und legen Sie ihn an einen trockenen und kühlen Ort. Starten Sie die Pumpe erst wieder, nachdem die Wassertemperatur auf 35°C (95°F) oder weniger gesunken ist.</li> <li>- Bringen Sie die Abdeckung an</li> <li>- Kontaktieren Sie Ihren lokalen Bestway Kundendienst bezüglich der weiteren Vorgehensweise.</li> </ul>
Das Lay-Z-Massagesystem arbeitet nicht	<ul style="list-style-type: none"> <li>- Die Luftpumpe ist überhitzt</li> <li>- Die Lay-Z-Spa-Massage stoppt automatisch</li> <li>- Die Luftpumpe ist beschädigt</li> </ul>	<ul style="list-style-type: none"> <li>- Stecken Sie die Pumpe aus und warten Sie zwei Stunden, bis die Pumpe abgekühlt ist</li> <li>- Stecken Sie den Netzstecker ein und drücken Sie die Lay-Z-Massagesystem-Taste</li> <li>- Drücken Sie die Taste für das Lay-Z-Massagesystem für einen Neustart</li> <li>- Wenden Sie sich bezüglich der weiteren Vorgehensweise an Ihr lokales Bestway-Kundendienstzentrum</li> </ul>
Die Pumpenadapter befinden sich nicht auf der gleichen Höhe wie die Spa-Adapter	<ul style="list-style-type: none"> <li>- Es ist charakteristisch für PVC, dass es seine Form verändert, dies ist normal.</li> </ul>	<ul style="list-style-type: none"> <li>- Heben Sie die Pumpe mit einem Stück Holz oder anderem isolierten Material an, so dass sich die Adapter des Spas und der Pumpe auf einer Höhe befinden</li> </ul>
Leckage des Spa-Pools	<ul style="list-style-type: none"> <li>- Das Spa ist gerissen oder punktiert</li> <li>- Das Luftventil ist gelöst</li> </ul>	<ul style="list-style-type: none"> <li>- Verwenden Sie den mitgelieferten Reparaturflicken</li> <li>- Unter Verwendung von Seifenwasser das Luftventil bedecken, um zu kontrollieren, ob Luft entweicht. Ist dies der Fall, den im Lieferumfang enthaltenen Schlüssel verwenden, um das Luftventil wie folgt anzuziehen: <ul style="list-style-type: none"> <li>1. Lassen Sie die Luft aus dem SPA ab.</li> <li>2. Halten Sie die Rückseite des Ventils von der Innenseite des Spas mit einer Hand fest und drehen Sie den Schraubenschlüssel im Uhrzeigersinn.</li> </ul> </li> </ul>
Das Wasser ist nicht sauber	<ul style="list-style-type: none"> <li>- Unzureichende Filterzeit</li> <li>- Verschmutzte Filterkartusche</li> <li>- Unzureichende Wasserpflege</li> </ul>	<ul style="list-style-type: none"> <li>- Erhöhen Sie die Filterungsdauer</li> <li>- Reinigen/ersetzen Sie die Filterkartusche (beachten Sie die Angaben im Abschnitt zur Reinigung und zum Austausch der Filterkartusche)</li> <li>- Beachten Sie die Anweisungen des Chemikalienherstellers</li> </ul>
Test der Differenzstrom-Schutzvorrichtung fehlgeschlagen	Fehlfunktion des SPAS	Kontaktieren Sie Ihren lokalen Bestway Kundendienst und geben Sie das SPA zurück
Das Bedienfeld funktioniert nicht	<ul style="list-style-type: none"> <li>- Das Bedienfeld wird nach 5 Minuten Inaktivität automatisch gesperrt. Das LED-Display verfügt über ein Symbol: . Wenn das Sperrsymbol leuchtet, ist das Bedienfeld gesperrt.</li> <li>- Das Bedienfeld wird nicht aktiviert.</li> </ul>	<ul style="list-style-type: none"> <li>- Um das Bedienfeld zu entsperren, drücken Sie die Taste  3 Sekunden lang</li> <li>- Wenn das Bedienfeld nicht entsperrt wird, starten Sie die Pumpe neu – Stecken Sie den Netzstecker der Pumpe aus und wieder ein.</li> <li>- Drücken Sie Ein-/Ausschalttaste 2 Sekunden lang.</li> <li>- Wenn das Problem weiterhin besteht, kontaktieren Sie bitte Ihren lokalen Bestway Kundendienstzentrum bezüglich der weiteren Vorgehensweise.</li> </ul>
Welche Chemikalien müssen für die Wasserpflege verwendet werden?	Bitte wenden Sie sich an Ihren lokalen Chemikalienhändler, um Informationen zur Wasserpflege zu erhalten. Halten Sie sich streng an die Anweisungen des Chemikalienherstellers.	
Aus den Adaptern zwischen Pumpe und Spa tritt Wasser aus	Bringen Sie die drei Verschlusskappen an den Anschlüssen des Spas an, um ein Auslaufen des Wassers zu vermeiden und trennen Sie die Pumpe. Prüfen Sie die Dichtungen und vergewissern Sie sich, dass diese korrekt in den Pumpenadaptern sitzen. Wenn Dichtungen fehlen oder nicht korrekt eingesetzt sind, kontaktieren Sie bitte Ihren lokalen Bestway Kundendienst bezüglich der weiteren Vorgehensweise. Sind die Dichtungen korrekt eingesetzt, verbinden Sie die Pumpe wieder mit dem Spa und schrauben Sie die Adapter handfest an.	

# Eingeschränkte BESTWAY®-Herstellergewährleistung

Das von Ihnen erworbene Produkt unterliegt einer eingeschränkten Gewährleistung. Bestway® garantiert, dass Ihr Produkt frei von herstellungsbedingten Defekten ist mit einer Qualitätsgarantie. Bei Mängeln gewährleistet Bestway® einen Austausch des Produktes. Um Gewährleistungsansprüche geltend zu machen, muss beiliegendes Formular ausgefüllt und mit einer Kopie Ihres Empfangs-/Kaufbelegs versehen an Ihren lokalen Bestway Kundendienst (Bestway Aftersales Center) gesendet werden. Bitte wenden Sie sich vor dem Absenden von Dokumenten an den lokalen Bestway Kundendienst. Dieser informiert Sie darüber, was für Ihren Gewährleistungsanspruch benötigt wird. Bestway® ersetzt keinerlei Produkte, die als nachlässig behandelt oder außerhalb der Richtlinien des Benutzerhandbuchs verwendet angesehen werden. Die Gewährleistung von Bestway deckt Herstellungsmängel ab, die beim Auspacken oder während der im Benutzerhandbuch empfohlenen Verwendung des Produkts entdeckt werden. Diese Gewährleistung erstreckt sich ausschließlich auf Produkte, welche nicht durch jedwede Drittparteien modifiziert wurden. Die Lagerung und die Handhabung des Produkts müssen entsprechend der technischen Empfehlungen erfolgen. Diese Gewährleistung deckt keine Schäden ab, die durch unsachgemäßen Gebrauch, Missbrauch oder Fahrlässigkeit verursacht wurden, inklusive, jedoch nicht beschränkt auf: Kollisionen, Feuer, inkorrekte Spannung, starke Hitzeeinwirkung, unsachgemäße Installation, unsachgemäße Verkabelung oder Prüfung, unsachgemäße Lagerung. Austausch und Reparaturen verlängern nicht die Dauer der Gewährleistung. Als Beginn des Gewährleistungszeitraums gilt das Datum des ursprünglichen Empfangs-/Kaufbelegs.

Bitte wählen Sie Ihr SPA



AN: Bestway® Service Department

Kaufdatum: \_\_\_\_\_

DATUM: \_\_\_\_\_

Kundencodenummer: \_\_\_\_\_

FAX/E-MAIL/TEL: Bitte beachten Sie die Hinweise für Ihr Land entsprechend der Informationen auf der Rückseite der Produktverpackung oder auf unserer Website: [www.bestwaycorp.com](http://www.bestwaycorp.com)

Bitte geben Sie Ihre vollständige Anschrift an. **Hinweis:** Unvollständige Adressdaten führen zu Versandverzögerungen.

Bestway behält sich das Recht vor, die Kosten für unberechtigte Rücklieferungen in Rechnung zu stellen.

## ERFORDERLICHE INFORMATIONEN - BITTE GEBEN SIE DIE LIEFERADRESSE AN

Name: \_\_\_\_\_ Adresse: \_\_\_\_\_

Postleitzahl: \_\_\_\_\_ Händler: \_\_\_\_\_

Land: \_\_\_\_\_ Stadt: \_\_\_\_\_

Mobil: \_\_\_\_\_ Telefon: \_\_\_\_\_

Fax: \_\_\_\_\_ E-mail: \_\_\_\_\_

SPA-PUMPE Seriennummer: \_\_\_\_\_ SPA-Pool Seriennummer: \_\_\_\_\_

SPA-PUMPE Artikelcode: \_\_\_\_\_



Sämtliche Zeichnungen dienen lediglich Illustrationszwecken. Nicht maßstabsgetreu.

LAY-Z-SPA Vegas / Paris

### Problembeschreibung

- Spa-Leckagen
- Das Bedienfeld zeigt einen nicht zu lösenden Fehler an
- Pumpenleckagen
- Sonstiges (bitte beschreiben)
- Wasserfilterungssystem funktioniert nicht
- Adapterleckagen
- Heizsystem funktioniert nicht
- Lay-Z-Massagesystem funktioniert nicht
- Fehlende Teile – Bitte verwenden Sie die Artikelnummer des fehlenden Teils. Diese finden Sie im Benutzerhandbuch.

WICHTIG: ES WIRD LEDIGLICH DAS BESCHÄDIGTE TEIL AUSGETAUSCHT, NICHT DAS GESAMTE SET.

Bestway behält sich das Recht vor, fotografische Nachweise für defekte Teile oder die Zusendung des Artikels für weitere Prüfungen anzufordern.

Um Ihnen bestmögliche Hilfestellung bieten zu können, bitten wir Sie um vollständige Angaben.

FÜR FAQ, HANDBÜCHER, VIDEOS ODER ERSATZTEILE BESUCHEN SIE BITTE UNSERE WEBSITE

[www.bestwaycorp.com](http://www.bestwaycorp.com)

VIDEOS SIND AUCH AUF UNSEREM BESTWAY CHANNEL BEI YOUTUBE ERHÄLTLICH: [www.youtube.com/user/BestwayService](http://www.youtube.com/user/BestwayService)



# SISÄLTÖ

Käy katsomassa Bestwayn YouTube-kanavaa

1. Turvaohjeet .....	P62	5. Kunnossapito .....	P74
2. Tekniset tiedot .....	P65	Suodatinpatruunan kunnossapito	
3. Asennus .....	P68	Vedenlaadun ylläpito	
Valittu sijainti		Ilmaventtiilin säätäminen	
Pumpun testaaminen		Spa-altaan tyhjentäminen	
4. Pumpun käyttäminen .....	P73	Spa-altaan puhdistaminen	
Lämmityksen nollaus		Spa:n paikkaaminen	
Ohjauspaneeli		Lay-Z-Spa-altaan varastointi	
Hälytykset		Hävittäminen	
		6. Vianetsintä .....	P75
		7. Takuu .....	P76



## TURVAOHJEET

Tämän sähkölaitteen asennuksen ja käytön yhteydessä tulee aina suorittaa turvallisuuteen liittyvät perusvarotoimet, mukaan lukien seuraavat:

### TÄRKEITÄ TURVAOHJEITA – LUE JA NOUDATA KAIKKIA OHJEITA.

#### VAROITUS:

- Pumppu tulee suojata suojaerotusmuuntajalla tai vikavirtasuojalla (RCD), jonka toimintavirta ei ylitä 30mA.
- Pumppu on testattava aina ennen jokaista käyttöä. Suorita testi noudattamalla pumpun ohjeita.
- Ainoastaan valmistaja, valmistajan huoltokumppani tai muu vastaava pätevä henkilö voi vaihtaa vahingoittuneen virtajohdon.
- Vältä sähköiskun riski äläkä käytä jatkojohtoa virtalähteeseen liittämiseksi. Käytä ainoastaan asianmukaisessa sijainnissa olevaa pistotulppaa.
- Mikään laitteen osa ei saa sijaita altaan yläpuolella kun allasta käytetään.
- Osat, joissa kulkee sähkövirtaa, lukuun ottamatta osia, joissa on turvallinen erittäin alhainen alle 12 V:n jännite, on pidettävä altaassa olevan henkilön ulottumattomissa. Osat, joihin kuuluu sähköosia, lukuun ottamatta kauko-ohjauslaitteita, on sijoitettava tai kiinnitettävä siten, että ne eivät voi pudota spa-altaaseen.
- Altaan kanssa tulee käyttää maadoitettua virtalähdettä.
- **Varoitus: Pistoke on pidettävä aina kuivana. Kytkeminen märkään pistokkeeseen on ehdottomasti kielletty!**
- Pistoke on oltava helpopääsyisessä paikassa myös spa-altaan asentamisen jälkeen.  
**VAROITUS:** Vaaratilanteiden välttämiseksi, jotka voivat aiheutua lämmönkatkaisun tahattomasta nollaamisesta, laitetta ei saa varustaa ulkoisella kytkinlaitteella, kuten ajastimella, eikä sitä saa liittää sähköpiiriin, josta katkaistaan tai johon kytketään säännöllisesti virta. Kun olet käyttänyt spa-allasta 3–5 vuoden ajan, ota yhteyttä paikalliseen pätevään sähköasentajaan laitteen turvallisuuden ja toiminnan varmistamiseksi. Laitteen pääkomponentit, kuten sähkölaitteen lämmityselementti, ilmapuhaltimen moottori ja takaiskuventtiilit, tulisi tarkistaa ja tarvittaessa vaihtaa. Pätevän asentajan on tehtävä nämä toimet.
- **SÄHKÖISKUN VÄLTÄMISEKSI SPA-ALLASTA EI SAA KÄYTTÄÄ SATEELLA.**
- Älä koskaan käytä piilolinssiä spa-altaassa.
- Älä käytä spa-allasta kemikaalihuollon aikana.
- Rakennuksen seinässä oleva virtalähde on pidettävä yli 4 m etäisyydellä altaasta ja vähintään 1,2 m korkeudella.
- Jatkojohtoja ei saa käyttää.
- Älä kytke laitetta virtalähteeseen tai irrota sitä virtalähteestä, jos kädet ovat märät.
- Irrota laite virtalähteestä aina:
  - sateella
  - ennen puhdistusta ja muuta kunnossapitoa
  - jos allas jätetään vartioimatta lomakausien ajaksi
- Tuotteen saa huoltaa ja puhdistaa vain yli 18-vuotias aikuinen, joka ymmärtää
- **Varoitus:** Lue ohjeet aina ennen tuotteen käyttöä ja asennusta tai uudelleenasennusta.

- Pidä ohjeet tallella. Jos ohjeet puuttuvat tai katoavat, ota yhteyttä Bestwayhin tai hae ne verkkosivustolta [www.bestwaycorp.com](http://www.bestwaycorp.com)
- **Varoitus: Sähköturvallisuuden ylläpitämiseksi PRCD on asennettu sähköjohtoon. Jos havaitaan yli 10 mA:n vuotovirta, kyseinen laite katkaisee virransyötön. Irrota tässä tapauksessa virtajohto virtalähteestä ja lopeta välittömästi tuotteen käyttö. Älä nolaa tuotetta itse. Ota yhteyttä paikalliseen huoltoedustajaan tuotteen tarkistamiseksi ja korjaamiseksi.**
- 8 vuotta täyttäneet lapset ja fyysisistä, henkisistä tai aistirajoitteista kärsivät tai kokemattomat tai tietotasoltaan rajoitetut henkilöt voivat käyttää tätä tuotetta, jos he ovat saaneet opastusta tai ohjeita tuotteen turvalliseen käyttöön ja ymmärtävät siihen liittyvät riskit. Lapset eivät saa leikkiä tuotteella. Lapset eivät saa puhdistaa tai huoltaa tuotetta ilman valvontaa. (EU:ta varten).  
Tämä tuote ei ole tarkoitettu seuraavien ryhmien käyttöön: lapset ja fyysisistä, henkisistä tai aistirajoitteista kärsivät tai kokemattomat tai tietotasoltaan rajoitetut henkilöt. Kyseiset henkilöt voivat kuitenkin käyttää tuotetta, jos he ovat saaneet opastusta tai ohjeita tuotteen turvalliseen käyttöön henkilöltä, joka on vastuussa heidän turvallisuudestaan. Lapsia tulee valvoa sen varmistamiseksi, että he eivät leiki tällä laitteella. (EU:n ulkopuoliset markkinat)
- Lapset leikkivät mielellään vedellä. Muista siis peittää allas suojuksella jokaisen käytön jälkeen.
- Älä hautaa johtoa maan alle. Sijoita johto siten, että ruohon- tai pensasleikkureista ja muista laitteista johtuvien vahinkojen riski on mahdollisimman pieni.
- Hukkumistapaturman vaara. On noudatettava äärimmäistä huolellisuutta lasten luvattoman pääsyn estämiseksi. Varmista onnettomuuksien välttämiseksi, etteivät lapset pääse käyttämään allasta ilman aikuisen jatkuvaa valvontaa.
- **LOUKKAANTUMISEN VAARA.** Älä koskaan käytä spa-allasta, jos sisäänmeno- tai ulostuloputket ovat rikki tai puuttuvat. Älä koskaan yritä itse korjata sisäänmeno- tai ulostuloputkia. Kysy aina neuvoa paikallisesta asiakaspalvelusta.
- **SÄHKÖISKUN VAARA.** Asenna vähintään 2 m päähän metallipinnoista.
- **SÄHKÖISKUN VAARA.** Älä koskaan käytä sähkölaitteita spa-altaassa ollessasi tai kun kehosi on märkä. Älä koskaan aseta sähkölaitetta, kuten lamppua, puhelinta, radiota tai TV:tä alle 2 m päähän altaasta.
- Raskaudenaikainen oleskelu kuumassa vedessä voi vahingoittaa sikiötä. Oleskele vedessä korkeintaan 10 minuuttia kerrallaan.
- **LOUKKAANTUMISRISKIN VÄHENTÄMINEN:**
  - A. Spa-altaan vesi ei koskaan saa olla lämpimämpää kuin 40 °C (104 °F). Veden lämpötiloja 38 °C (100 °F) – 40 °C (104 °F) pidetään turvallisina terveille aikuisille. Viileämpää vettä suositellaan, kun käyttäjiä ovat nuoret lapset tai kun spa-altaassa oleskelu ylittää 10 minuuttia.
  - B. Liian lämmin vesi voi herkästi vahingoittaa sikiötä raskauden ensimmäisten kuukausien aikana. Tämän vuoksi raskaana olevien tai mahdollisesti raskaana olevien naisten tulisi olla spa-altaassa vedessä, jonka lämpötila on korkeintaan 38 °C (100 °F).
  - C. Ennen altaaseen menemistä käyttäjän tulisi mitata veden lämpötila tarkalla lämpömittarilla, sillä veden lämpötilan säätölaitteiden toleranssi vaihtelee.
  - D. Alkoholien, lääkkeiden tai huumeiden käyttö ennen spa:n käyttöä tai sen aikana voi aiheuttaa tajuttomuuden ja mahdollisesti hukkumisen.
  - E. Lihavien henkilöiden tai henkilöiden, joilla on tai on ollut jokin sydänsairaus, matala tai korkea verenpaine, verenkiertoelimistön sairauksia tai diabetes, tulisi ottaa yhteyttä lääkäriin ennen spa:n käyttöä.
  - F. Lääkitystä käyttävien henkilöiden tulisi ottaa yhteyttä lääkäriin ennen spa:n käyttöä, sillä jotkin lääkkeet saattavat aiheuttaa uneliaisuutta. Lääkkeet voivat myös vaikuttaa sydämen sykkeeseen, verenpaineeseen ja verenkiertoon.
- **LOUKKAANTUMISRISKIN VÄHENTÄMINEN:** Älä koskaan kaada vettä, jonka lämpötila on yli 40 °C (104 °F), suoraan spa-altaaseen.
- Alkoholien, huumeiden tai lääkkeiden käyttö voi kasvattaa hengenvaarallisen kehon lämpötilan nousun riskiä huomattavasti. Hypertermia eli liikalämpöisyys syntyy, kun kehon lämpötila nousee useita asteita yli kehon normaalin lämpötilan, joka on 37 °C (98,6 °F). Hypertermian oireita ovat kehon sisälämpötilan nousu, pyörtyys, voimattomuus, uneliaisuus ja pyörtyminen. Hypertermian vaikutuksia ovat: kykenemättömyys huomata kuumuutta, kykenemättömyys

ymmärtää, että henkilön tulisi poistua spa- tai muusta altaasta, ymmärtämättömyys siitä, että tilanne on vaarallinen, sikiövauriot raskaana olevilla naisilla, fyysinen kykenemättömyys poistua altaasta, tajuttomuus, joka voi johtaa hukkumiseen.

- Sähköasennusten tulee noudattaa kansallisia säännöksiä. Jos sinulla on kysyttävää sähköasennuksista, ota yhteyttä pätevään sähköasentajaan.

### KYSY OHJEITA LÄÄKÄRILTÄSI. VAROITUS:

- Spa-allasta ei saa asentaa tai jättää ulos, jos ulkolämpötila on alle 4 °C (40 °F).
- Älä käytä spa-allasta yksin.
- Tarttuvia tauteja sairastavien ei tule käyttää spa-allasta.
- Älä käytä spa-allasta heti raskaan urheilun jälkeen.
- Astu aina altaaseen ja poistu sieltä varovasti ja hitaasti. Märät pinnat ovat liukkaita.
- Vältä vahingoittamasta pumppua: käytä spa-allasta vain silloin, kun se on täynnä vettä.
- Poistu spa-altaasta välittömästi, jos tunnet itsesi uniseksi tai olosi on huono.
- Älä koskaan lisää kemikaaleihin vettä. Lisää aina kemikaalit veteen. Näit voit välttää voimakkaat kemikaalien päästöt ilmaan tai reaktiot, jotka voivat olla seurausta vaarallisista kemikaalisuihkeista.
- Katso puhdistusohjeet, veden kunnossapito-ohjeet ja veden poisto-ohjeet kohdasta KUNNOSSAPITO.
- Katso asennusohjeet alla olevasta kappaleesta.

### HUOMAA:

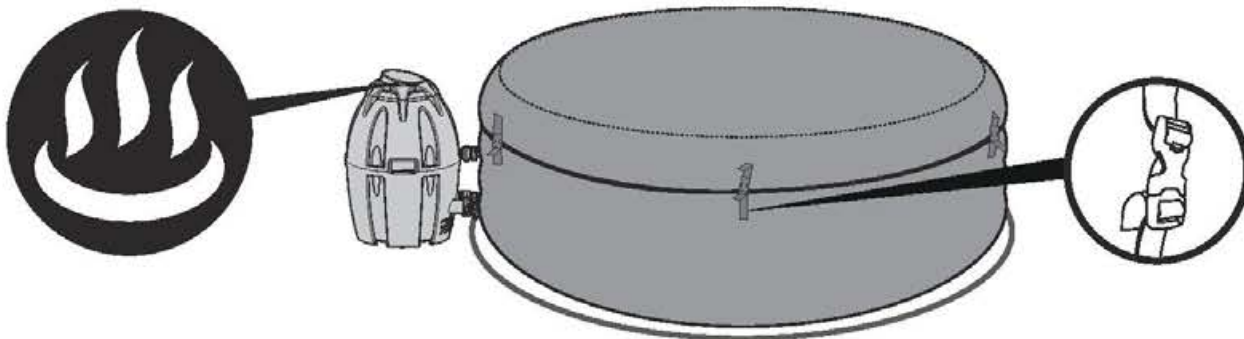
- Tarkista tuote ennen käyttöä. Ilmoita Bestwaylle kaikista ostohetkellä rikkinäisistä tai puuttuvista osista tässä käsikirjassa mainittuun asiakaspalveluosoitteeseen. Tarkista, että laitteen osat ovat sen mallin osia, jonka halusit ostaa.
- Tuotetta ei ole tarkoitettu kaupalliseen käyttöön.

## PIDÄ NÄMÄ OHJEET TALLESSA

### TÄRKEÄÄ!

Veden lämpiämisaika 40°C:een (104 °F) riippuu veden lähtölämpötilasta ja ympäröivän ilman lämpötilasta. Alla olevat tiedot ovat vain viitteellisiä. Voit tarkistaa veden vallitsevan lämpötilan käyttämällä suodatinjärjestelmää vähintään minuutin ajan.

Ympäristön lämpötila	Veden lämpötila	Asetettu lämpötila	Lämmityksen kesto
10°C(50°F)	10°C(50°F)	40°C(104°F)	18,5h
15°C(59°F)	15°C(59°F)	40°C(104°F)	15h
20°C(68°F)	20°C(68°F)	40°C(104°F)	11,5h
25°C(77°F)	25°C(77°F)	40°C(104°F)	8,5h
30°C(86°F)	30°C(86°F)	40°C(104°F)	5,5h



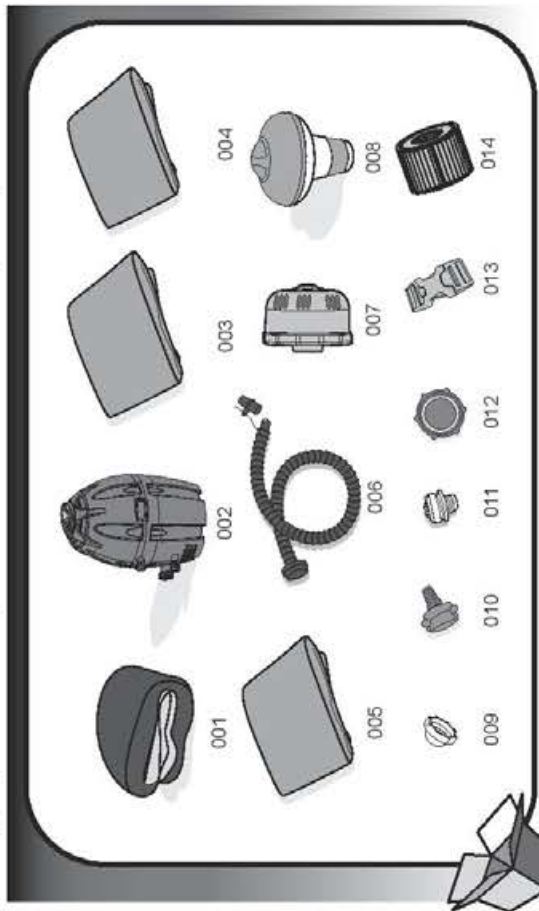
Muista peittää spa sen omalla suojuksella, kun aloitat veden lämmittämisen. Peittämättömän spa-altaan vesi lämpiää kauemmin, kuin jos allas olisi peitetty. Älä käytä spa-allasta, jos ympäristön lämpötila on alle 4 °C (39 °F).



## LAY-Z-SPA™ VEGAS AirJet – TEKNISET TIEDOT (#54112)

Kapasiteetti:	4-6 aikuista	Hierontaturbopuhallin:	800W	Lämpötilan nousuvauhti:	Noin 1,5-2°C/h (3-4°F/h)
Velisuus, vesi (80 %):	935 L (2,47 gal)	Lämmityselementti:	2 000W at 20°C	Todellinen veden virtaama:	1 325 L/h (350 gal/h)
Koko ilmalla täytettynä:	1,96m x 61cm (77" x 24")	Pumppu:	50 W kiertosuodatin, pumppu	Nimellisteho:	220-240V AC, 2 050W ; 20°C
Paino täytettynä:	965 kg (2 130 Lb)	Lampotilakapasiteetti:	40°C (104°F)	Käyttöpaino:	0,9PSI (0,055Bar)

**HUOMAA:** Yllä esitetty lämmitysnopeus perustuu laboratoriotestiin, jossa ympäristön lämpötila oli vähintään 25 °C (77 °F).



Osanto.	Osakoodi	Kuvaus	MÄÄRÄ
001	54112TASS15	Altaan vuori	1
002	P4H054ASS17	Spa-lämmitin	1
003	P5H284GASS17	Tekonahkainen yläsuojus	1
004	P5H284TASS17	Tekonahkainen vuorisuojus	1
005	54112GASS15	Puhallettava kansi	1
006	P6931	Täyttöletku	1
007	P6653	Suodatinarja	1
008	58426S17	Kemikaalikeluke	1
009	P6575	Pysäyttimet	2
010	P6932	Letkun sovitin	1
011	F4A024ASS	Ruuviventili	1
012	P6611	Suojuksen sovitin A	1
013	F6414ASS	Kiinnityssoikei	8
014	58323	Suodatinpatruuna (VI)	2

## LAY-Z-SPA™ MONACO AirJet – TEKNISET TIEDOT (#54113)

Kapasiteetti:	4-6 aikuista	Hierontaturbopuhallin:	800W	Lämpötilan nousuvauhti:	Noin 1,0-1,5°C/h (2-3°F/h)
Velisuus, vesi (80 %):	1 463 L (384 gal.)	Lämmityselementti:	2 000W 20°C	Todellinen veden virtaama:	1 325 L/h (350 gal/h)
Koko ilmalla täytettynä:	2,01m x 69cm (79" x 27")	Pumppu:	50 W kiertosuodatin, pumppu	Nimellisteho:	220-240V AC, 2 050W ; 20°C
Paino täytettynä:	1 490 kg (3 284 Lb)	Lampotilakapasiteetti:	40°C (104°F)	Käyttöpaino:	7PSI-10PSI (0,48Bar-0,69Bar)

**HUOMAA:** Yllä esitetty lämmitysnopeus perustuu laboratoriotestiin, jossa ympäristön lämpötila oli vähintään 25 °C (77 °F).

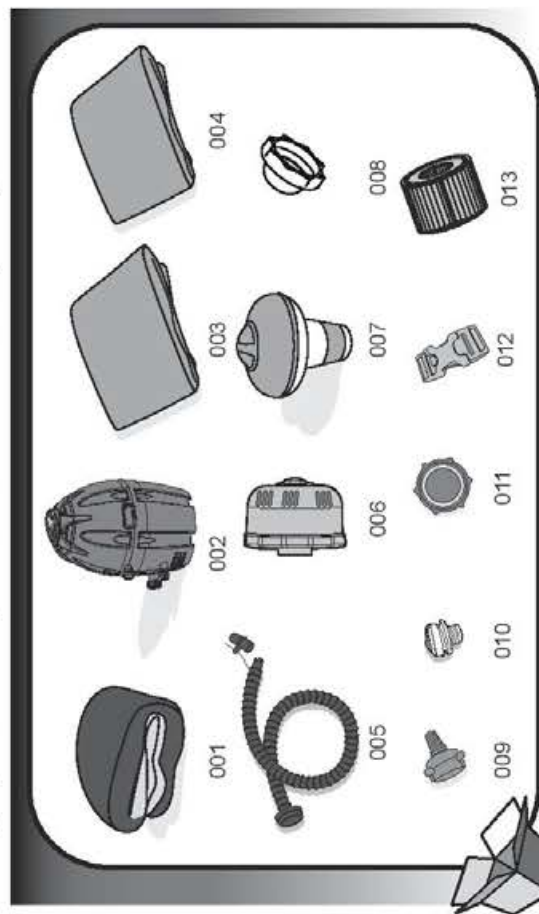


Osanto.	Osakoodi	Kuvaus	MÄÄRÄ
001	54113TASS17	Altaan vuori	1
002	P4D148ASS17	Spa-lämmitin	1
003	P5D288ASS17	Tekonahkainen yläsuojus	1
004	54113GASS17	Puhallettava kansi	1
005	P6931	Täyttöletku	1
006	P6653	Suodatinarja	1
007	58426S17	Kemikaalikeluke	1
008	P3054Q17	Suurpainekas/pumppu	1
009	F6H189ASS15	Kiintoavain	1
010	P6575	Pysäyttimet	2
011	P6932	Letkun sovitin	1
012	P6608	Painemittari	1
013	P6611	Suojuksen sovitin A	1
014	12632ASS15	Täytetyt tyynyt	4
015	P6H-971	Täyttöventili	1
016	F6414ASS	Kiinnityssoikei	6
017	58323	Suodatinpatruuna (VI)	2

## LAY-Z-SPA™ MIAMI AirJet – TEKNISET TIEDOT (#54123)

Kapasiteetti:	2-4 aikuista	Hierontaturbopuhallin:	800W	Lampoilian nousuvauhti:	Noin 1,5-2°C/h (3-4°F/h)
Vetoisuus, vesi (80 %):	669 L (177 gal)	Lämmityselementti:	2.000W ; 20°C	Todellinen veden virtaama:	1.325 L/h (350 gal/h)
Koko ilmalla täytettynä:	1,80m x 66cm (7'1" x 26")	Pumppu:	50 W kiertosuodatin, pumppu	Nimellisteho:	220-240V AC, 2.050W ; 20°C
Paino täytettynä:	696 kg (1.534 Lb)	Lämpötilakapasiteetit:	40°C (104°F)	Käyttöpaino:	0,8PSI (0,055Bar)

**HUOMAA:** Yllä esitetty lämmitysnopeus perustuu laboratoriotestiin, jossa ympäristön lämpötila oli vähintään 25 °C (77 °F).

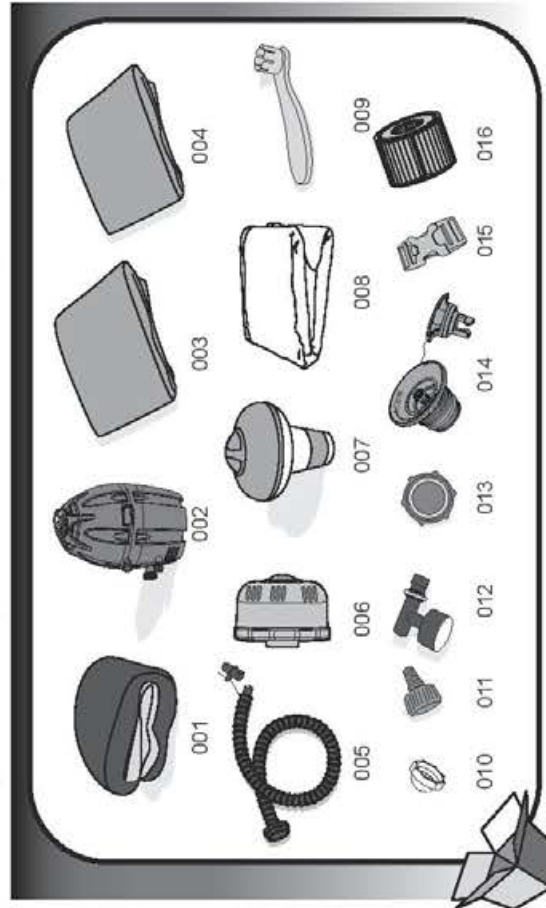


Osanro.	Osakoodi	Kuvaus	MÄÄRÄ
001	54123TASS17	Altaan vuori	1
002	P4H054ASS17	Spa-lämmitin	1
003	P5C364ASS17	Ylavahvi/kesuoja	1
004	54123GASS17	Puhallettava kansi	1
005	P6931	Täyttöletku	1
006	P6653	Suodatin-sarja	1
007	58426S17	Kemikaalilukke	1
008	P6575	Pysäytimet	2
009	P6932	Letkun sovitin	1
010	F4024ASS	Ruuviventtiili	1
011	P6611	Suojuksen sovitin A	1
012	F6414ASS	Kiinnityssoike	6
013	58323	Suodatinpatruuna (VI)	2

## LAY-Z-SPA™ PALM SPRINGS AirJet – TEKNISET TIEDOT (#54129)

Kapasiteetti:	4-6 aikuista	Hierontaturbopuhallin:	800W	Lampoilian nousuvauhti:	Noin 1,5-2°C/h (3-4°F/h)
Vetoisuus, vesi (80 %):	916 L (242 gal)	Lämmityselementti:	2.000W ; 20°C	Todellinen veden virtaama:	1.325 L/h (350 gal/h)
Koko ilmalla täytettynä:	1,96m x 71cm (77" x 28")	Pumppu:	50 W kiertosuodatin, pumppu	Nimellisteho:	220-240V AC, 2.050W ; 20°C
Paino täytettynä:	954 kg (2.103 Lb)	Lämpötilakapasiteetit:	40°C (104°F)	Käyttöpaino:	1,2PSI (0,08Bar)

**HUOMAA:** Yllä esitetty lämmitysnopeus perustuu laboratoriotestiin, jossa ympäristön lämpötila oli vähintään 25 °C (77 °F).

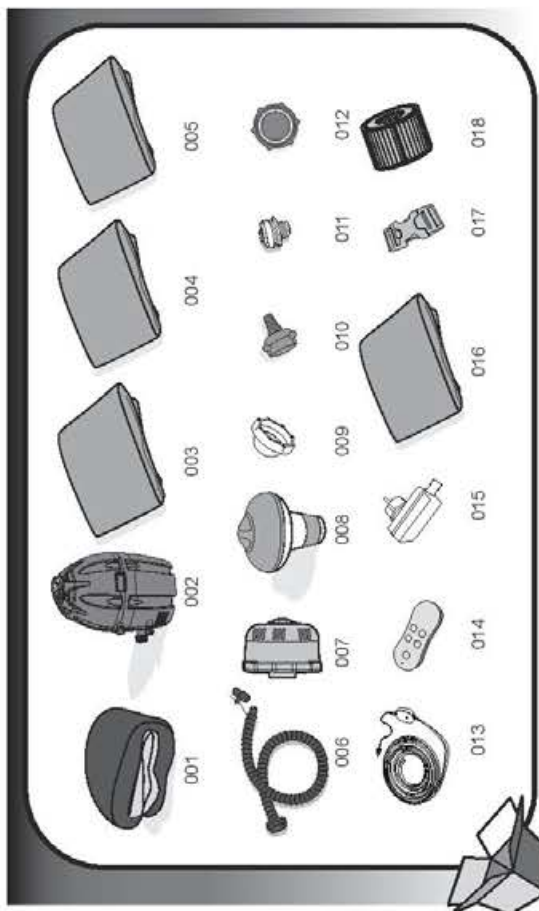


Osanro.	Osakoodi	Description	MÄÄRÄ
001	54129TASS17	Altaan vuori	1
002	P4E079ASS17	Spa-lämmitin	1
003	P5B401ASS17	Tekonahkainen ylasuojus	1
004	54129GASS17	Puhallettava kansi	1
005	P6930	Täyttöletku	1
006	P6653	Suodatin-sarja	1
007	58426S17	Kemikaalilukke	1
008	58321(H)S15	Latiamatto	1
009	F6H189ASS15	Kiintoavain	1
010	P6575	Pysäytimet	2
011	P6H565	Letkun sovitin	1
012	P6T199	Painemittari	1
013	P6611	Suojuksen sovitin A	1
014	P6H971	Täyttöventtiili	1
015	F6414ASS	Kiinnityssoike	6
016	58323	Suodatinpatruuna (VI)	2

## LAY-Z-SPA™ PARIS AirJet – TEKNISET TIEDOT (#54148)

Kapasiteetti:	4-6 aikuista	Hierontaturbopuhallin:	800W	Lämpötilan nousuvauhti:	Noin 1,5-2°C/h (3-4°F/h)
Velisuus, vesi (80 %):	806 L (213 gal)	Lämmityselementti:	2.000W ; 20°C	Todellinen veden virtaama:	1.325 L/h (350 gal/h)
Koko ilmalla täytettynä:	1,96m x 66cm (77" x 26")	Pumppu:	50 W kieartosuodatin pumppu	Nimellisteho:	220-240V AC, 2.050W ; 20°C
Paino täytettynä:	840 kg (1.851 Lb)	Lämpötilakapasiteetti:	40°C (104°F)	Käyttöpaine:	0,8PSI (0,055Bar)

**HUOMAA:** Yllä esitetty lämmitysnopeus perustuu laboratoriotestiin, jossa ympäristön lämpötila oli vähintään 25 °C (77 °F).

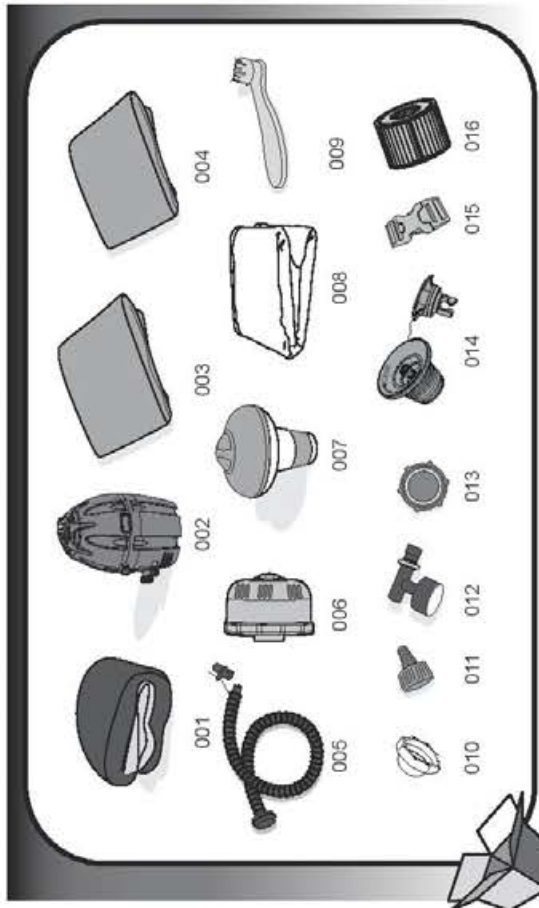


Osanro.	Osakoodi	Kuvaus	MAARA
001	54148TASS16	Altaan vuori	1
002	P4H054AASS17	Spa-lammitin	1
003	P5H284GASS17	Tekonahkainen yläsuojus	1
004	P5H513TASS17	Tekonahkainen vuorisuojus	1
005	54148GASS16	Puhallettava kansi	1
006	P6931	Täyttöletku	1
007	P6653	Suodatinjarja	1
008	58426S17	Kemikaalikeluke	1
009	P6575	Pysäyttimet	2
010	P6932	Letkun sovitin	1
011	F4A024AASS	Ruuviverntili	1
012	P6611	Suojuksen sovitin A	1
013	P61670	LED-valonauha	1
014	P61232	Kaukosäädin	1
015	P61671	Muuntaja	1
016	58321(H)S15	Lattiamatto	1
017	F6414AASS	Kiinnityssoike	8
018	58323	Suodatinpatruuna (VI)	2

## LAY-Z-SPA™ Hawaii AirJet – TEKNISET TIEDOT (#54154)

Kapasiteetti:	4-6 aikuista	Hierontaturbopuhallin:	800W	Lämpötilan nousuvauhti:	Noin 1,5-2°C/h (3-4°F/h)
Velisuus, vesi (80 %):	840 L (222 gal)	Lämmityselementti:	2.000W ; 20°C	Todellinen veden virtaama:	1.325 L/h (350 gal/h)
Koko ilmalla täytettynä:	1,80m x 71cm (71" x 28")	Pumppu:	50 W kieartosuodatin pumppu	Nimellisteho:	220-240V AC, 2.050W ; 20°C
Paino täytettynä:	879 kg (1.938 Lb)	Lämpötilakapasiteetti:	40°C (104°F)	Käyttöpaine:	1,2PSI (0,08Bar)

**HUOMAA:** Yllä esitetty lämmitysnopeus perustuu laboratoriotestiin, jossa ympäristön lämpötila oli vähintään 25 °C (77 °F).

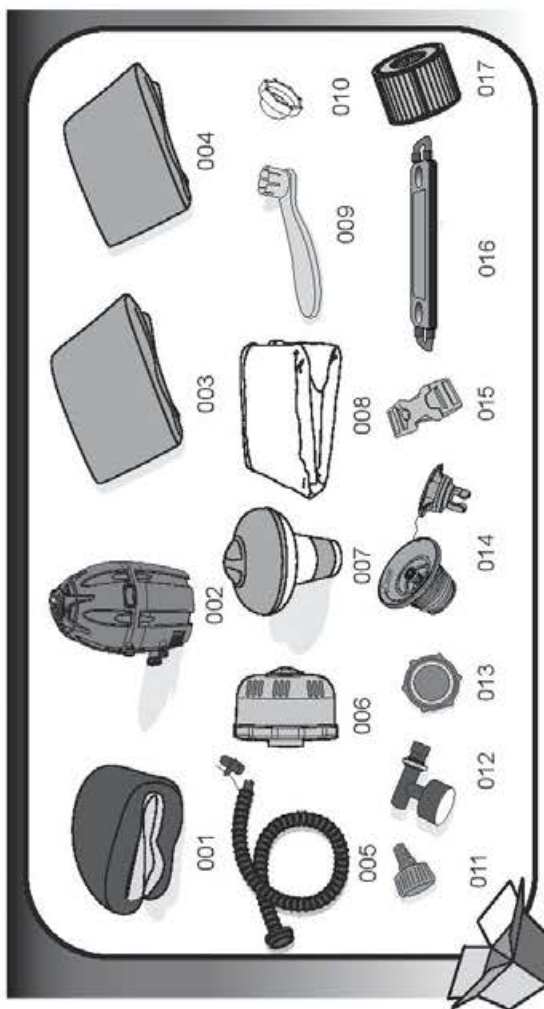


Osanro.	Osakoodi	Kuvaus	MAARA
001	54154TASS17	Altaan vuori	1
002	P4D148AASS17	Spa-lammitin	1
003	P5D588GASS17	Tekonahkainen yläsuojus	1
004	54138GASS17	Puhallettava kansi	1
005	P6930	Täyttöletku	1
006	P6653	Suodatinjarja	1
007	58426S17	Kemikaalikeluke	1
008	58371(H)S15	Lattiamatto	1
009	F6H189AASS15	Kiintoavain	1
010	P6575	Pysäyttimet	2
011	P6H565	Letkun sovitin	1
012	P61199	Painemittari	1
013	P6611	Suojuksen sovitin A	1
014	P6H971	Täyttöventtiili	1
015	F6414AASS	Kiinnityssoike	8
016	58323	Suodatinpatruuna (VI)	2

## LAY-Z-SPA™ Siena AirJet – TEKNISET TIEDOT (#54156)

Kapasiteetti:	2 aikuista	Hierontaturbopuhallin:	800W	Lämpötilan nousuvauhti:	Noin 2,2 °C/h (3,5-4,5°F/h)
Vetoisuus, vesi (80 %):	509 L (134 gal.)	Lämmityselementti:	2.000W ; 20°C	Todellinen veden virtaama:	1.325 L/h (350 gal/h)
Koko ilmalla täytettynä:	2.49m x 1.49m x 66cm (98" x 59" x 26")	Pumppu:	50 W kierrosuodatin, pumppu	Nimellisteho:	220-240V AC, 2.050W ; 20°C
Paino täytettynä:	548 kg (1.205 lb)	Lämpötila- ja paine-erit:	-40°C (10,4°F)	Käyttöpaino:	1,2PSI (0,08Bar)

**HUOMAA:** Yllä esitetty lämmitysnopeus perustuu laboratoriotestiin, jossa ympäristön lämpötila oli vähintään 25 °C (77 °F).



Osanro.	Osakoodi	Kuvaus	MAARA
001	54156TASS17	Altaan vuori	1
002	P4H054ASS17	Spa-lämmitin	1
003	P5694ASS17	Tekonahkainen yläsuojus	1
004	54156GASS17	Puhallettava karsi	1
005	P6930	Täyttöletku	1
006	P6653	Suodatinraja	1
007	58426S17	Kemikaalikeluke	1
008	P5696	Lattiamatto	1
009	F6H189ASS15	Kiinteävain	1
010	P6675	Pysäyttimet	2
011	P6H565	Letkun sovitin	1
012	P61199	Painemittari	1
013	P6611	Suojuksen sovitin A	1
014	P6H971	Täyttöventtiili	1
015	F6414ASS	Kiinnitysolki	8
016	P5595	Juomapöytä	1
017	58323	Suodatinpatruuna (V)	2

## Asennus

### Valittu sijainti

**VAROITUS:** Valitun paikan on pystyttävä kantamaan odotettu paino.

**VAROITUS:** On järjestettävä asianmukainen vedenpoistojärjestelmä, joka selviää sisä- ja ulkoasennusten ylimääräisen veden poistosta.

**TÄRKEÄÄ:** Lay-Z-Spa-altaan, veden ja käyttäjien yhteispaino on huomattava. Tämän vuoksi on erittäin tärkeää, että Lay-Z-Spa asennetaan sijaintiin, joka on sileä, tasainen, vaakasuora ja joka kohdasta sellainen, että sen on mahdollista kantaa Lay-Z-Spa:n kokonaispainoa koko ajan (älä asenna matolle tai vastaavan materiaalin päälle). Jos Lay-Z-Spa sijoitetaan paikkaan joka ei täytä näitä vaatimuksia, valmistajan takuu ei kata mitään vahinkoja jotka ovat seurausta epäkelvosta tuesta altaalle. Lay-Z-Spa:n omistajan omalla vastuulla on varmistua asennuspaikan asianmukaisuudesta kaikkina aikoina.

### 1. Asennus sisätiloihin:

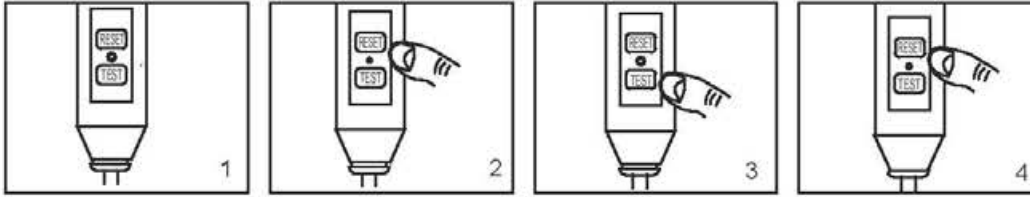
**Ota huomioon spa:n sisätiloihin asentamista koskevat erityisvaatimukset.**

- Lay-Z-Spa:n asentamisen yksi luonnollinen sivuvaikutus on kosteus. Selvitä kostean ilman vaikutus puupintoihin, paperiin jne. suunnitellussa asennuspaikassa. Kostean ilman vaikutusta voidaan parhaiten vähentää tehostamalla ilmanvaihtoa valitulla alueella. Arkkitehti voi auttaa määrittämään, tarvitaanko lisäilmanvaihtoa.

### 2. Asennus ulos:

- Spa:sta voi valua vettä altaan täytön, tyhjennyksen tai käytön aikana. Lay-Z-Spa tulisi tämän vuoksi asentaa lähelle lattiaviemäriä.
- Älä jätä spa-altaan pintoja suoraan auringonvaloon pitkiksi ajoiksi kerrallaan.

## PRCD-testi



**HUOMAA:** Piirustukset vain viitteeksi. Eivät välttämättä vastaa todellista tuotetta. Eivät ole mittakaavassa.

1. Työnnä pistoke pistorasiaan.
2. Paina RESET-painiketta. Merkkivalo syttyy.
3. Paina TEST-painiketta. Merkkivalo sammuu.
4. Paina RESET-painiketta. Merkkivalo syttyy.
5. Aina ON/OFF-painiketta 2 sekunnin ajan. Pumppu on käyttövalmis.

**VAROITUS:** PRCD-pistoke on testattava aina ennen käyttöä. Näin voidaan välttää sähköiskun vaara.

**VAROITUS:** Tarkista ennen pistokkeen työntämistä virtalähteeseen, että virtalähteen jännite on pumpun kannalta oikea.

**VAROITUS:** Älä käytä pumppua, jos testi epäonnistuu. Ota siinä tapauksessa yhteyttä asiakaspalveluun.



**HUOMAA:** Ilmaletkun ja pumpun liittymäkohdasta vuotaa ilmaa ilmalla täyttämisen aikana. Tämä on normaalia.

**HUOMAA:** Älä täytä allasta ilmalla käyttämällä ilmakompressoria.

**HUOMAA:** Älä vedä allasta karhealla alustalla, sillä se saattaa vahingoittaa allaan vuorausta.

**HUOMAA:** Täyttöaika on viitteellinen.

**HUOMAA:** Painemittari on vain ilmalla täyttämistä vasten, ja painemittarin arvo on vain viitteeksi. Sitä ei saa käyttää tarkkuusvälineenä.

### Ilmaventtiilin tarkistaminen (spa, jossa on ilman täytön/tyhjennyksen pikaventtiili)

Tarkista ilmaventtiili aina huolellisesti ennen ilmalla täyttämistä sen varmistamiseksi, että ilmaa ei pääse vuotamaan. Jos ilmaventtiili on irti, kiinnitä se mukana toimitetulla kiintoavaimella seuraavien ohjeiden mukaisesti:

Pidä toisella kädellä ilmaventtiilin takaosasta kiinni spa:n sisäseinän sisäpuolelta käsin ja käännä kiintoavainta myötäpäivään.

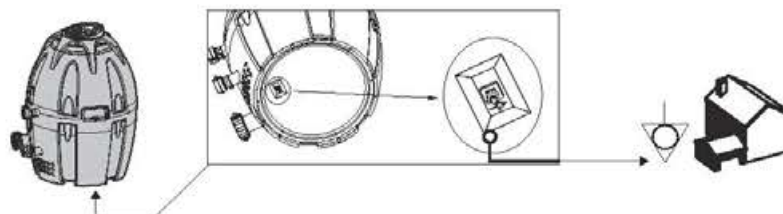
**HUOMAA:**

1. Älä kierrä liian kireästi kiinni.
2. Älä säädä ilmaventtiilin liitintä, kun spa on käytössä.

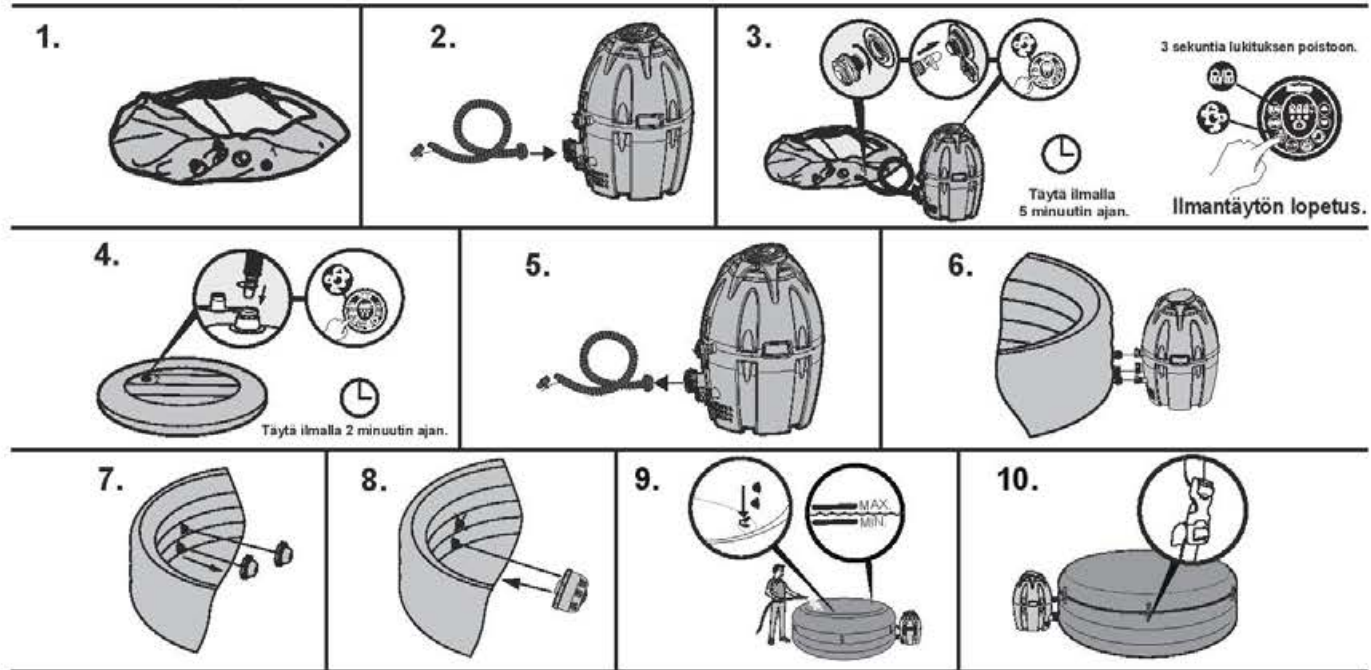


### SPA-PUMPUN POTENTIALINTASAUUSLIITOS

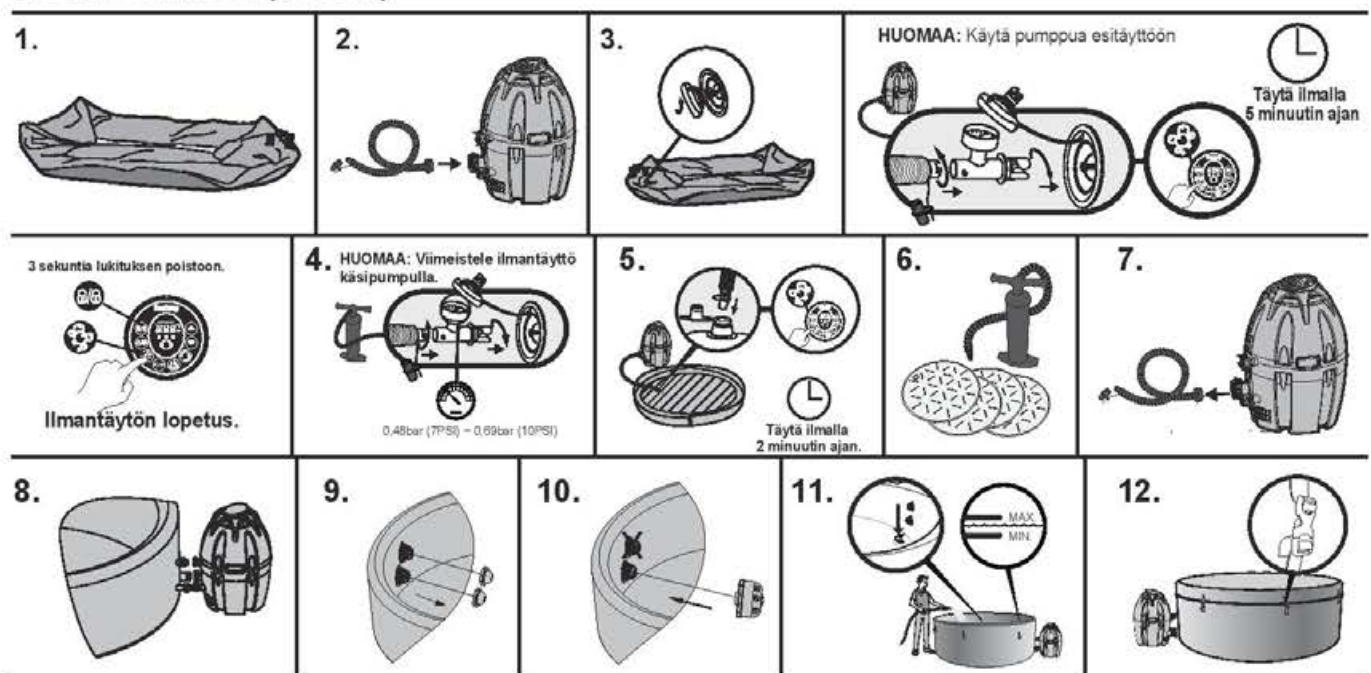
On suositeltavaa, että pätevä sähköasentaja yhdistää SPA-pumpun maadoitusliittimeen käyttämällä vähintään 2,5 mm<sup>2</sup> yksilankaista kuparijohtinta.



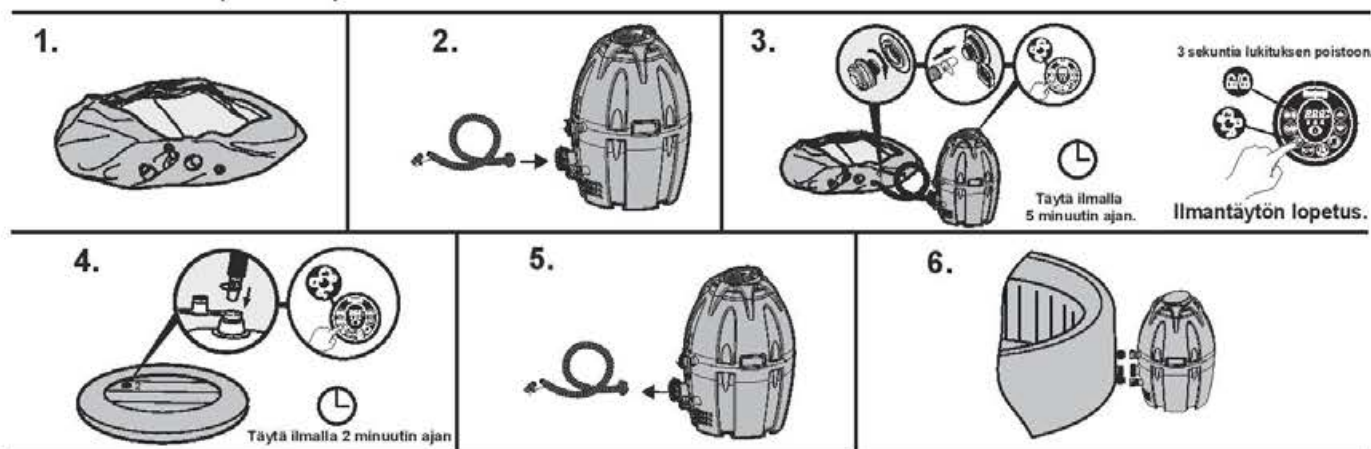
## VEGAS AirJet (#54112)

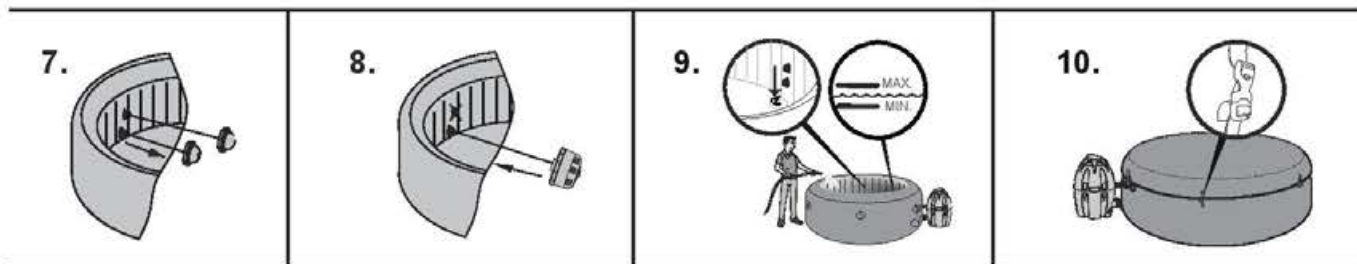


## MONACO AirJet (#54113)

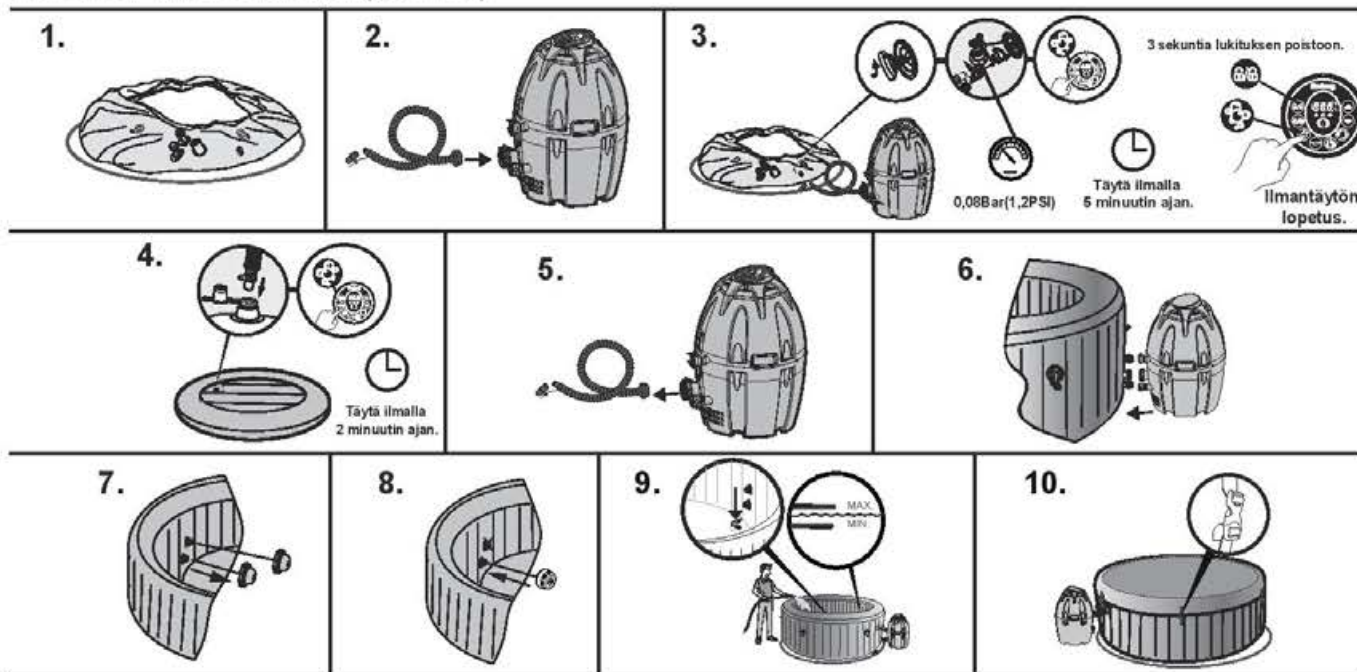


## MIAMI AirJet (#54123)

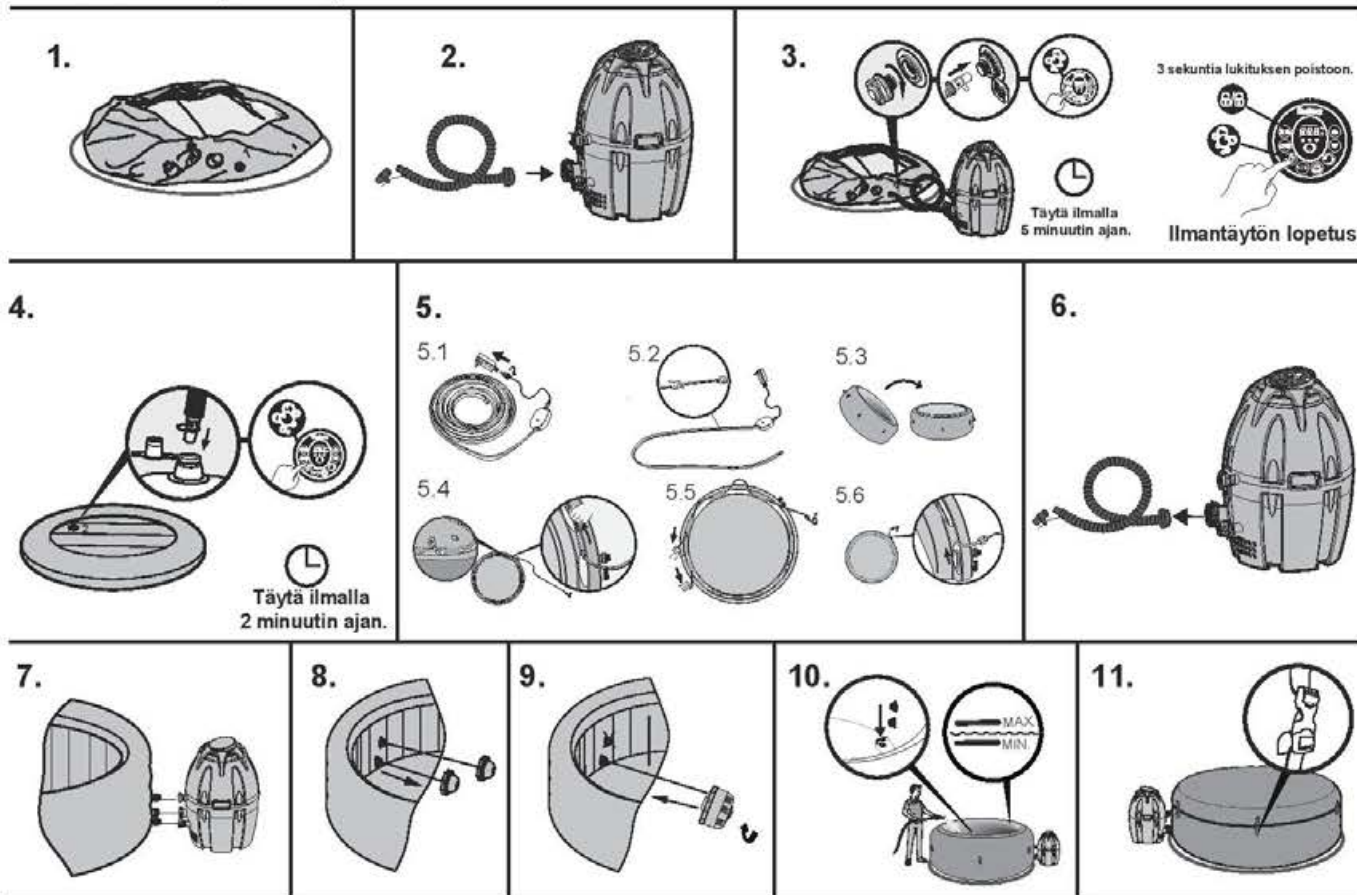




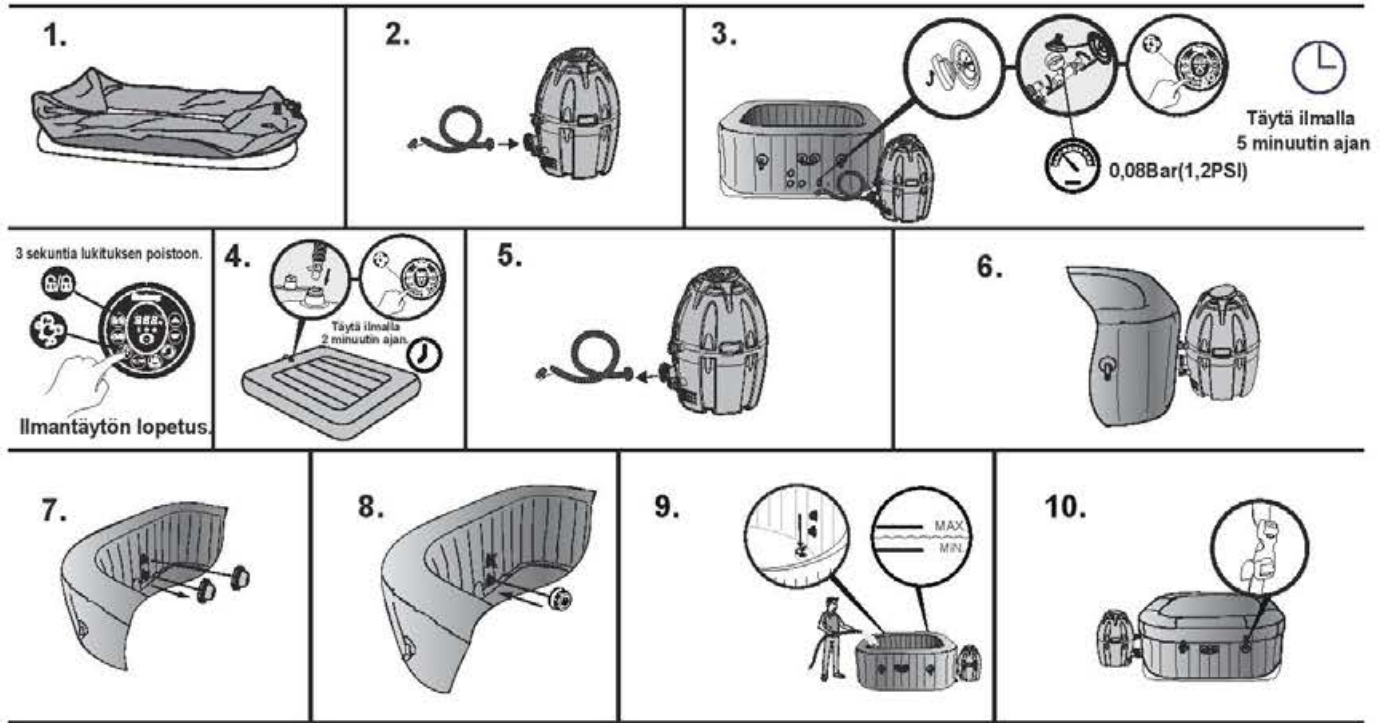
**PALM SPRINGS AirJet (#54129)**



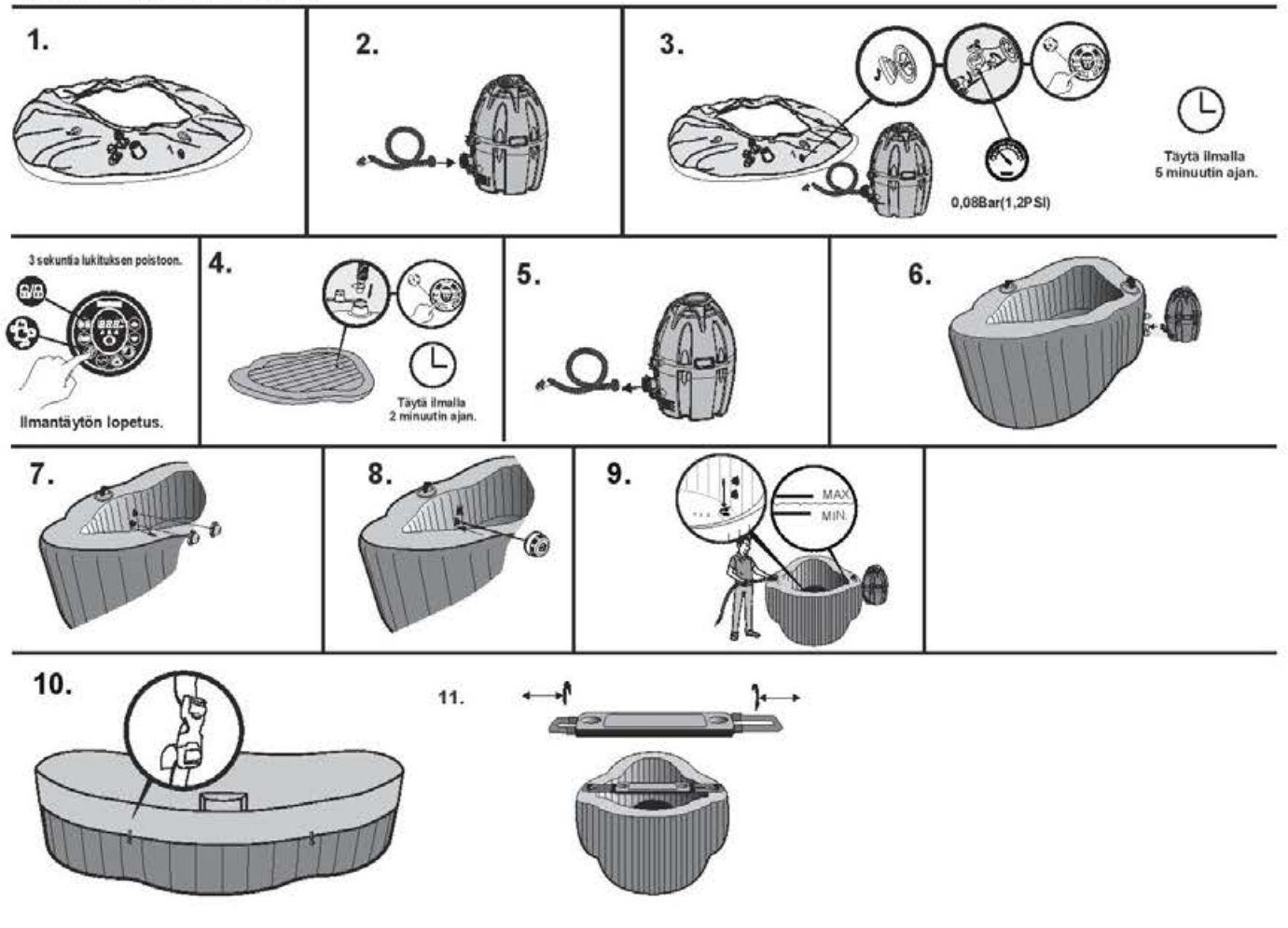
**PARIS AirJet (#54148)**



## HAWAII AirJet (#54154)



## SIENA AirJet (#54156)





## PUMPUN KÄYTTÄMINEN

### Lämmityksen nollaus

Muista nolata pumpun, kun käytät Lay-Z-Spa-allasta ensimmäisen kerran tai jos et ole käyttänyt sitä pitkään aikaan. Pumpun nolata painamalla RESET-painiketta pienellä ja ohuella esineellä.

### RESET-PAINIKE

#### TÄRKEITÄ KÄYTTÖOHJEITA

Jos ohjuspaneelin näyttämä lämpötila (tai veden lämpötilä) ei ole muuttunut 4-5 tunnin kuluessa lämmitysjärjestelmän käynnistysestä, käynnistä järjestelmä uudelleen painamalla RESET-painiketta ohuella esineellä.

**TÄRKEÄÄ:** Lämmitysjärjestelmä ei toimi jos ulkolämpötila on yli 40 °C (104 °F) tai jos Lay-Z-Spa on suorassa auringonvalossa. Jos näin on, odota viileämpää ajankohtaa ennen kuin painat RESET-painiketta ohuella esineellä käynnistääksesi lämmitysjärjestelmän uudelleen.



### A Lukitus/lukituksen poisto -painike



Pumpussa on 5 minuutin automaattinen lukitusfunktio. LED-valo himmenee, kun pumpun on lukittu (mitään toimintaa ei ole aktivoitu). Voit lukita pumpun tai avata pumpun lukituksen asettamalla sormen tämän painikkeen päälle 3 sekunniksi.

### B Energiensäästö-ajastinpainike



Tämä on äskettäin lisätty toiminto. Sen tarkoituksena on auttaa säästämään energiaa, kun spa:n lämmitysaika ja lämmityksen kesto voidaan määrittää. Tämän ansiosta voit nauttia spa-kokemuksesta silloin kun haluat, eikä sinun tarvitse pitää lämmintä päällä jatkuvasti.

#### VAIHE 1: Aseta lämmityksen kesto

1. Paina -painiketta. LED alkaa vilkkua.
2. Säädi lämmityksen kesto painamalla painikkeita tai (1-48 tuntia).
3. Vahvista lämmityksen kesto painamalla painiketta uudelleen.

#### VAIHE 2: Määritä niiden tuntien määrä, JOIDEN KULUTTUA lämmitin aktivoituu

1. Lämmitysaian määrittämisen jälkeen LED alkaa vilkkua.
2. Määritä aktivoitumista edeltävä aika painamalla painikkeita tai (0-99 tuntia).
3. Vahvista asetus painamalla painiketta uudelleen. Voit vahvistaa asetuksen myös, jos et kosketa mitään painiketta 10 sekuntiin. LED palaa tasaisesti ja lämmityksen käynnistymisen odotusaika laskuri käynnistyy.

**Ajastimen asetusten muuttaminen:** Paina painiketta ja säädi asetusta painikkeilla tai .

**Asetuksen peruuttaminen:** Paina painiketta 2 sekunnin ajan.

**HUOMAA:** Näytössä näkyy asetuksen jälkeen vuorotellen tämän hetkinen lämpötila ja kellonaika.

**HUOMAA:** Ajastimen ajaksi voidaan asettaa 1-48 tuntia. Tämä tarkoittaa aikaa, jolloin lämmitin on päällä. Varausaian säätö (se aika tunteina TÄSTÄ HETKESTÄ ALKAEN siihen asti, kun lämmitin alkaa toimia) voi olla 0-99 tuntia. Jos ajastimen ajaksi määritetään 0 tuntia, lämmitysjärjestelmä aktivoituu välittömästi. Ajastimen asetus on kertakäyttöinen. Käyttäjä asettaa lämmityssykin keston ja määrittää, miten monen tunnin kuluttua nykyhetkestä lähtien lämmityssykli käynnistyy. Ajastin EI toista toimintaa ellei sitä nolata välillä.

### C Lay-Z-Massage-järjestelmän painike



Tätä painiketta painamalla voit aktivoida hierontajärjestelmän. Toiminto päättyy automaattisesti 30 minuutin kuluttua. Lay-Z-Massage-järjestelmän painikkeen yläpuolella oleva valo palaa punaisena, kun hierontatoiminto on aktivoitu.

**TÄRKEÄÄ:** Älä käytä Lay-Z-Massage-järjestelmää, kun altaan suojaus on kiinnitettynä. Spa:n sisälle voi kertyä ilmaa, joka voi aiheuttaa korjaamatonta vahinkoa altaalle ja henkilövahinkoja.

**HUOMAA:** Lämpö ja hierontajärjestelmä antavat yhdessä lämpimän hierontakokemuksen.



### D Celsius/Fahrenheit-näyttö



Lämpötila voidaan näyttää käyttämällä yksikkönä Fahrenheitia tai Celsiusia.

### E Lämpö-painike



Tällä painikkeella voit aktivoida lämmitysjärjestelmän. Kun painikkeen yläpuolella oleva valo palaa punaisena, lämmitysjärjestelmä on aktivoitu. Kun valo on vihreä, vesi on määritetyn lämpöistä ja lämmitysjärjestelmä on lepotilassa.

**HUOMAA:** Lämmitysjärjestelmän aktivointi käynnistää suodatusjärjestelmän automaattisesti.

**HUOMAA:** Suodatusjärjestelmä jatkaa toimintaansa, kun lämmitysjärjestelmä sammutetaan.

### F Vedensuodatus-painike



Painike käynnistää suodatinpumpun ja sammuttaa sen. Toiminto on aktivoitu, kun Vedensuodatus-painikkeen yläpuolella oleva valo palaa punaisena.

### G Lämpötilan säätöpainikkeet



Lämpötilan lisäämis- tai vähentämispainikkeiden painaminen saa LED-valon vilkkumaan. Voit säätää lämpötilan haluamaksesi, kun valo vilkkuu. Painikkeiden pitäminen painettuna muuttaa lämpötila-asetuksia nopeasti. Uusi lämpötila-asetus näkyy LED-näytössä 3 sekunnin ajan uuden asetuksen varmistamiseksi.

**HUOMAA:** Oletuslämpötila on 35 °C (95 °F).

**HUOMAA:** Lämpötilan säätöväli on 20-40 °C (68-104 °F).

### H Virtapainike



Paina tätä painiketta 2 sekunnin ajan, kun haluat aktivoida ohjuspaneelin painikkeet. Valo muuttuu vihreäksi. Kun painat painiketta 2 sekunnin ajan, poistat kaikki tällä hetkellä aktivoituneet toiminnot.

### I Energiensäästöajastimen LED



Tämän LED-valon vilkkuminen tarkoittaa, että olet määrittämässä lämmityksen kestoja. Valo palaa lämmitystoiminnon käynnistytessä.



Vilkkuva LED tarkoittaa, että olet määrittämässä niiden tuntien määrää, JOIDEN KULUTTUA lämmitin alkaa toimia. Kun valo palaa tasaisesti, toiminto on asetettu.

### J LED-näyttö



Kun LED-näyttöön on kytketty virta, se näyttää automaattisesti veden nykyisen lämpötilan. 72 tunnin suodatuksen jälkeen (kun käytössä ei ole energiensäästöajastin) pumpun siirtyä lepotilaan ja näyttöön tulee näkyviin sana End ja sen hetkinen veden lämpötila. Kun pumpun on lepotilassa, lämmitys- ja veden suodatusfunktio ovat pois käytöstä. Voit aktivoida pumpun uudelleen painamalla lukitus/lukituksen poisto -painiketta 3 sekunnin ajan.

**HUOMAA:** Veden lämmityksenopeus voi muuttua jos:

- ulkolämpötila on alle 15 °C (59 °F).
- suojaus ei ole paikallaan, kun lämmitystoiminto aktivoidaan.

**HUOMAA:** Voit tarkistaa veden vallitsevan lämpötilan käyttämällä suodatinjärjestelmää vähintään minuutin ajan. Ulkoisella lämpömittarilla tehtyjen mittausten tulokset voivat vaihdella spa-näytön tuloksista jopa noin 2 °C.

## Häilytykset

Ongelmat	Syyt	Ratkaisut
<b>E01</b>	Veden virtausanturit toimivat ilmen että suodatin- tai lämmityspainiketta on painettu.	1. Veden virtausanturin tunnistinliput eivät palanneet oikeaan asentoon. 2. Veden virtausanturit ovat rikki.
<b>E02</b>	Käynnistyksen jälkeen tai suodatuksen ja/tai lämmityksen aikana veden virtausanturit eivät havaitse virtausta.	1. Olet unohtanut poistaa 2 sulku tulppaa altaan sisältä. 2. Suodatinpatruunat ovat likaisia. 3. Aktivoi suodatin- tai lämmitysjärjestelmää ja aseta kätesi poistoputken eteen altaan sisällä varmistaaksesi, tunnetko veden virtaavan ulos. a. Jos vesi ei virtaa, vesipumppu on rikki. b. Vesi virtaa, mutta näytössä näkyy [E02] häilytykset. Veden virtausanturit ovat rikki.
<b>E03</b>	Pumpun lämpömittari kertoo, että veden lämpötila on alle 4 °C (40 °F).	1. Veden lämpötila on alle 4 °C. 2. Jos veden lämpötila on yli 7 °C (44,6 °F), pumpun lämpömittari on rikki.
<b>E04</b>	Pumpun lämpömittari kertoo, että veden lämpötila on yli 50 °C (122 °F).	1. Veden lämpötila on yli 50 °C. 2. Jos veden lämpötila on alle 45 °C (113 °F), pumpun lämpömittari on rikki.
<b>E05</b>	Pumpun lämpömittarin liittämisessä on ongelmia.	1. Pumpun lämpömittarin liittimet eivät toimi oikein. 2. Pumpun lämpömittari on rikki.
<b>E08</b>	Manuaalisesti nolatussa lämmökatkaisussa on ongelmia.	Manuaalisesti nolattu lämmökatkaisu laukei. 1. Irrota pumpun virtajohto ja paina pumpun nolauspainiketta. Kytke sitten pumpun virtajohto takaisin. 2. Mikäli häilytykset jatkuvat, tarkasta RESET-painikkeen ohjeet käyttöoppaasta. 3. Pyydä ohjeita paikallisesta Bestwayn asiakaspalvelusta.

## KUNNOSSAPITO

**HUOMAA:** Spa:han on lisättävä silloin tällöin lisäilmaa. Päivä- ja yölämpötilojen erot muuttavat spa-altaan ilmanpainetta ja tämä voi aiheuttaa jonkin verran ilman tyhjennystä. Tyhjennä spa vedestä noudattamalla käyttöoppaan asennusohjeita, ennen kuin täytät spa-altaan oikeaan ilmanpaineeseen.

**VAROITUS:** VARMISTA ETTÄ PUMPPU ON IRROTETTU SÄHKÖVIRRASTA ENNEN HUOLTOTOIMENPITEIDEN ALOITTAMISTA, TAI ON OLEMASSA VAKAVAN LOUKKAANTUMISEN TAI KUOLEMAN RISKI.

**Suodatinpatruunan kunnossapito**

**HUOMAA:** Varmista veden pysyminen puhtaana tarkistamalla ja puhdistamalla suodatinpatruunat joka päivä alla olevien ohjeiden mukaisesti. **HUOMAA:** Suosittelemme vaihtamaan suodatinpatruunat kerran viikossa. Patruunat kannattaa vaihtaa myös jos ne pysyvät likaisina ja värjäytyneinä.



### Vedenlaadun ylläpito

Altaan veden pitäminen puhtaana ja veden kemiallisesta tasapainosta huolehtiminen on tärkeää ja tarpeellista. Pelkäästään suodatinpatruunoiden puhdistus ei yksistään riitä. Suosittelemme käyttämään lisäksi uima-altaan veden puhdistamiseen suunniteltuja kemikaaleja ja kloori- ja bromitabletteja (älä käytä rakeita), joita käytetään kemikaalilukitseissa.

Vesi tulisi vaihtaa noin joka kolmas päivä. Tämä on kuitenkin yleisluonteinen ohje, sillä vedenlaatuun vaikuttavat altaan käyttötyyppi, alasta käyttävät henkilöt ja altaan yleishuolto-ohjeet.

**Huomaa:** Suosittelemme suihkussa käymistä ennen Lay-Z-Spa:n käyttämistä, sillä kosmeettiset tuotteet, voiteet ja muut jäätimet voivat huonontaa vedenlaatua nopeasti. Noudata kemikaalilukitteen käytössä alla olevia ohjeita.

**Kemikaalitablettien käyttö (ei sisälly toimitukseen):**



**Kemikaaliliesteen käyttö (ei sisälly toimitukseen):**



**HUOMAA:** Poista kemikaalilukitus uima-altaasta, kun allas on käytössä. **TÄRKEÄÄ:** Testaa veden kemiallinen koostumus testisarjalla (ei sisälly toimitukseen), sen jälkeen kun kemikaaleja on lisätty veteen ja ennen kuin alasta käytetään. Suosittelemme seuraavia arvoja.

pH	Kokonaisemaksisyys	Free Chlorine
7,4-7,6	80-120 ppm	2-4 ppm

**HUOMAA:** Takuu ei kata kemiallisesta epätasapainosta aiheutuvia vahinkoja. Alustakemikaalit ovat periaatteessa myrkyllisiä ja niitä tulisi käsitellä varoen. Kemialliset kaasut ovat vakava terveysriski. Myös virheelliset etiketit ja kemiallisia aineita sisältävien säiliöiden virheellinen varastointi voivat olla vakavia terveysriskejä. Lisäohjeita veden kemiallisen tasapainon ylläpitämisestä saat paikalliselta uima-allastus-otteiden jälleennyhjältä. Seuraa tarkasti kemikaalien valmistajan ohjeita. Takuu ei kata vahinkoja, jotka ovat aiheutuneet kemikaalien väärinkäytöstä ja altaan veden väärinäisyydestä huollosta.

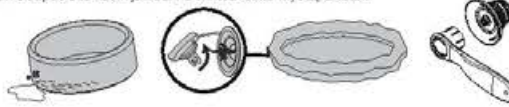
### Ilmaventtiilin säätäminen (Vain #54113, #54129, #54154, #54156)

Jos ilmaa vuotaa, tarkista ensin ilmaventtiili. Kastele ilmaventtiili saippuavedellä nähdäkseen, vuotako siitä ilmaa. Jos venttiilistä vuotaa ilmaa, tiivistä se käyttämällä toimitukseen kuulunutta kiintoavainta seuraavien ohjeiden mukaisesti.

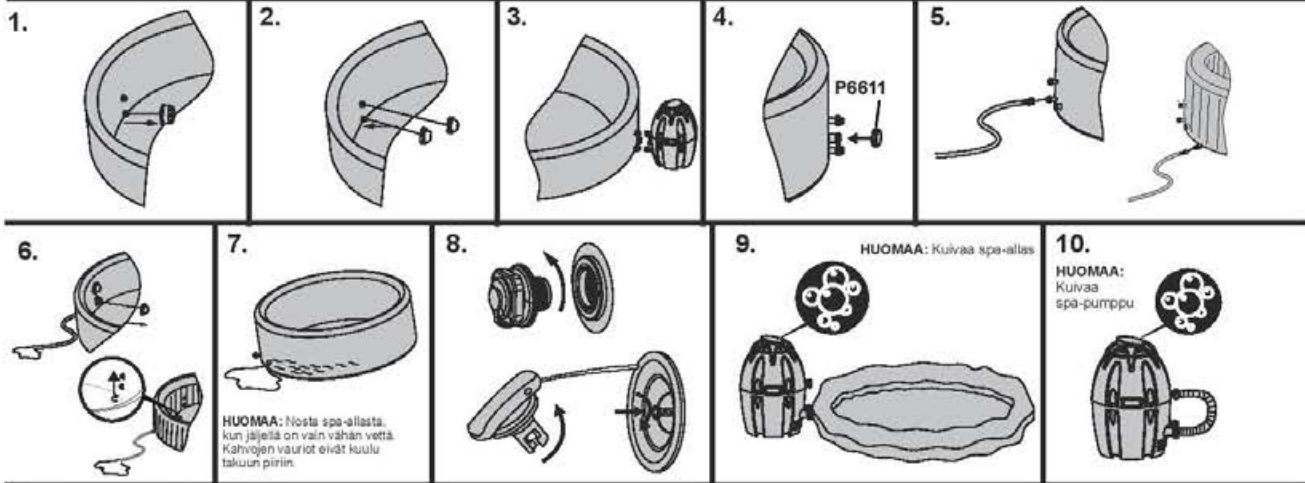
• Pidä toisella kädellä ilmaventtiilin takaosasta kiinni spa:n sisäseinän sisäpuolelta kasin ja käännä kiintoavainta myötäpäivään.

### HUOMAA:

1. Älä kierrä liian kireästi kiinni.
2. Tarkista ilmaventtiili aina huolellisesti ennen käyttöä.
3. Älä säädä ilmaventtiilin liitintä, kun spa on käytössä.



## Spa-altaan tyhjentäminen



**Spa-altaan puhdistaminen** Altaan seinämiin saattaa kertyä pesuaineiden jäämiä ja uimavuvuista liuenneita kiintoaineita ja kemikaaleja. Puhdista seinämät saippualla ja vedellä ja huuhtelee huolellisesti.

**HUOMAA:** ÄLÄ KÄYTÄ kovia harjoja ja hankausaineita.

### Spa:n paikkaaminen

Spa #54112, #54123, #54148 ja ilmalla täytettävä suojus.

Jos spa on revynnyt tai siinä on reikä, korjaa kohta pakkaukseen sisältyvällä kestävällä korjauspaikalla.

1. Puhdista korjattava alue.
2. Ota paikka varovasti esiin.
3. Paina paikka korjattavaan kohtaan.
4. Odota 30 sekuntia ennen täyttämistä ilmalla.

Spa #54113, #54129, #54154, #54156 (ilmalla täytettävä suojus ei lueta mukaan)

Jos allas on repeytynyt tai siinä on reikä, käytä mukana tulevaa PVC-korjauspaikkaa ja ilmaa (ei sisälly toimitukseen) seuraavien ohjeiden mukaisesti.

1. Puhdista ja kuivaa korjattava alue.
2. Leikkaa mukana toimitettu PVC-paikka sopivan kokoiseksi.
3. Levitä ilmaa (ei sisälly toimitukseen) leikkaamasi paikan toiselle puolelle. Varmista, että ilma leviää tasaisesti joka puolelle.
4. Odota 30 sekuntia, ja aseta sitten leikkaamasi paikka limoineen nikkinäiseen kohtaan.
5. Tasaista kaikki ilmakuplat, joita on voinut jäädä paikan alle, ja paina tiukasti kahden minuutin ajan.
6. Tuote on jälleen käyttövalmis. Toista näitä vaiheita, kunnes vuotoja ei enää ole.
7. Odota 30 minuuttia ennen täyttämistä.

## Lay-Z-Spa-altaan varastointi

Varmista että allas ja pumppu ovat täysin kuivat. Tämä pidentää altaan käyttöikäsi olennaisesti. Suosittelemme altaan, pumpun ja putkien kuivaamista pumpulla. Poista suodatinpatruunat ja hävitä käytetyt suodatinpatruunat. Kiinnitä sulkuviput altaan syyttö- ja lähtöventtiileihin. Spa-allasta suositellaan säilyttäväksi alkuperäispakkauksessaan lämpimässä ja kuivassa paikassa.

**HUOMAA:** Muovi haurastuu ja saattaa murtua helpommin, jos se on altistunut pakkaselle. Jaatuminen voi vahingoittaa alasta vakavasti. Tuotteen takuu voi raueta, jos sitä on säilytetty väärin talvella.

### Hävittäminen



Ylivuotun roska-astian symbolin merkitys: Sähkölaitteita ei saa hävittää jätteilemättömän kotitalousjätteen mukana. Ne on vietävä tätä tarkoitusta varten oleviin erillisin keräyspisteisiin. Saat lisätietoja käytettävissä olevista keräyspisteistä alueesi jätteenhuolto-ovojalta tai kunnan Internet-sivuilta. Luontoon tai esimerkiksi suoraan kaatopaikalle jätetty sähkö- ja elektroniikkaromu voi aiheuttaa haittaa ihmisille ja terveydelle, sillä se sisältää telttyjä haitallisia yhdisteitä, joita voi vuotaa pohjaveteen ja joutua ravintoketjuun. Kun ostat uusia sähkölaitteita vanhojen tilalle, laitteet myyjä on velvollinen ottamaan vastaan vanhan sähkölaitteen ilmaiseksi.

**VIANMÄÄRITYS** Bestway pyrkii toimittamaan markkinoiden virheettömmimpiä spa-altaita. Voit kaikissa ongelmatapauksissa ottaa yhteyttä Bestwayhin tai valtuutettuun jälleenmyyjääsi. Seuraavassa on ohjeita tavallisimpien ongelmien ratkaisemiseksi.

Ongelmat	Mahdolliset syyt	Ratkaisut
Pumppu ei toimi	- Sähkökatkos - Sähköpiireissä vikaa	- Tarkista virtalahde. - Ota yhteyttä Bestwayn paikalliseen asiakaspalveluun lisäohjeiden saamiseksi
Pumppu ei lämmitä kunnolla.	- Lämpötila on asetettu liian alhaiseksi. - Suodatinpatruuna on likainen. - Lammonkatkaisu laukesi - Spa ei ole peitetty - Lämmityselementti lakkasi toimimasta tai sulake on palanut	- Säädä korkeampi lämpötila, katso pumpun käytöstä kertovaa lukua. - Puhdista/vaihda suodatinpatruuna, katso suodatinpatruunan puhdistuksesta ja vaihtamisesta kertovaa lukua. - Irrota pumpun virtajohto ja aseta pumppu kuivaan ja viileään paikkaan. Käynnistä pumppu uudelleen vasta, kun veden lämpötila on 35 °C (95 °F) tai alempi. - Kiinnitä suojus. - Pyydä ohjeita paikallisesta Bestwayn asiakaspalvelusta
Lay-Z-Massage-hierontajärjestelmä ei toimi.	- Ilmapumppu on ylikuumentunut - Lay-Z-Spa Massage pysähtyy automaattisesti. - Ilmapumppu on rikki.	- Irrota pumpun pistoke ja odota kaksi tuntia, kunnes pumppu on jäähtynyt. Kytke pistoke ja paina Lay-Z-Massage -järjestelmän painiketta - Käynnistä uudelleen painamalla Lay-Z-Massage-järjestelmän painiketta - Ota yhteyttä Bestwayn paikalliseen asiakaspalveluun lisäohjeiden saamiseksi
Pumpun sovitimet eivät ole samalla tasolla altaan sovitimien kanssa.	- Yksi PVC:n ominaisuuksista on se, että se muuttaa muotoaan, mikä on normaalia.	- Voit nostaa pumppua puulla tai muuntotyypisellä eristemateriaalilla tuodaksesi pumpun sovitimet altaan sovitinten kanssa samalle tasolle.
Spa-altaan vesivuoto	- Allas on revennyt tai siihen on tullut reikä - Ilmaventtiili on irti	- Käytä mukana tullutta korjauspaikkaa. - Kastele ilmaventtiili saippuavedellä nähdäksesi, vuotaako siitä ilmaa. Jos venttiilistä vuotaa ilmaa, tiivistä se käyttämällä toimitukseen kuulunutta kiintoavainta seuraavien ohjeiden mukaisesti: 1. Tyhjennä ilma SPA-altaasta. 2. Pidä toisella kädellä ilmaventtiilin takaosasta kiinni spa:n sisäisen sisäpuolelta käsin ja kaanna kiintoavainta myötäpäivään.
Vesi ei ole puhdasta.	- Riittämätön suodatusaika - Suodatinpatruuna on likainen. - Vedenlaadun ylläpitotoimenpiteet ovat riittämättömät	- Pidentää suodatusaikaa. - Puhdista suodatinpatruuna tai vaihda se uuteen (katso lisätietoja suodatinpatruunan puhdistus- ja vaihto-ohjeista) - Katso kemikaalivalmistajan ohjeet
PRCD-testi päättyi virheeseen	Spa:ssa on jokin vika	Ota yhteyttä Bestwayn paikalliseen asiakaspalveluun ja palauta SPA.
Ohjauspaneeli ei toimi	- Ohjauspaneelissa on automaattinen lukko, joka aktivoituu 5 minuutin käyttämättömyyden jälkeen. - LED-näytössä on yksi kuvake: Jos lukituskuvake on korostettu, ohjauspaneeli on lukossa. - Ohjauspaneelia ei ole aktivoitu.	- Poista ohjauspaneelin lukitus painamalla painiketta  3 sekunnin ajan Jos ohjauspaneelin lukitus ei poistu, käynnistä pumppu uudestaan – irrota ja kytke pumppu. - Paina virtapainiketta 2 sekunnin ajan. Jos ongelma ei poistu, ota yhteyttä paikalliseen Bestwayn asiakaspalveluun lisäohjeiden saamiseksi.
Minkälaisia kemikaaleja käytetään vedenhuoltoon?	Ota yhteyttä paikalliseen kemikaalien toimittajaasi saadaksesi tietoja kemikaalilyllypöydästä. Seuraa tarkasti kemikaalien valmistajan ohjeita.	
Vettä vuotaa sovitimista pumpun ja altaan väliltä.	Aseta sulikutulpat altaan portteihin estämään vettä tulemasta ulos ja irrota pumppu. Tarkasta ja varmista, että tiivisteet ovat oikealla paikallaan pumpun sovitimien sisällä. Jos tiivisteet puuttuvat tai niitä ei ole asianmukaisesti asennettu, ota yhteyttä paikalliseen Bestwayn asiakaspalveluun saadaksesi ohjeita. Jos tiivisteet ovat oikealla paikallaan, kytke pumppu uudestaan altaaseen ja kiristä sovitimet käsin.	

# Rajoitettu BESTWAY® valmistajan takuu

Ostamasi tuotteen mukana tulee rajoitettu takuu. Bestway® antaa tuotteille laatu- ja vaihtotakuun. Takaamme, että tuotteessa ei ole valmistusvirheitä. Tee takuuvaade täyttämällä tämä lomake ja toimittamalla ostokuitin kopio paikalliseen Bestwayn asiakaspalveluun. Ota yhteyttä Bestwayn paikalliseen asiakaspalveluun ennen asiakirjojen lähettämistä. Saat tarkat ohjeet, mitä tarvitaan vaateesi tekemiseksi. Bestway® ei korvaa tuotteita, joiden katsotaan vahingoittuneen laiminlyönnin seurauksena tai joita ei ole käytetty käyttöoppaan ohjeiden mukaisesti.

Bestwayn takuu kattaa valmistusvirheet, jotka havaitaan kun tuotetta puretaan pakkauksestaan, tai jotka huomataan käyttöoppaan mukaisen käytön aikana. Tämä takuu kattaa vain tuotteet joita ei ole muokattu ulkopuolisten toimesta. Tuote pitää varastoida ja sitä pitää käsitellä teknisten suositusten mukaisesti.

Takuu ei kata vaurioita, jotka ovat aiheutuneet virheellisestä käytöstä, väärinkäytöstä tai laiminlyönnistä mukaan lukien mutta näihin rajoittumatta seuraavat: törmäys, tulipalo, virheellisen jännitteen käyttö, liiallinen lämpöaltistus, virheellinen asennus, virheellinen johdotus tai testaus, virheellinen säilytys.

Tuotteiden vaihdot ja korjaukset eivät pidennä takuuajaa. Takuuajka alkaa alkuperäisen kuitin/ostolaskun sisältämästä myyntipäivästä.

Valitse ostamasi SPA



VASTAANOTTAJA: Bestway® Service Department

Ostopäivä: \_\_\_\_\_

PÄIVÄMÄÄRÄ: \_\_\_\_\_

Asiakaskoodin numero: \_\_\_\_\_

FAKSI/SPOSTI/PUH: Katso oman maasi tiedot takakannesta tai sivustoltamme löytyvien tietojen mukaisesti: [www.bestwaycorp.com](http://www.bestwaycorp.com)

Anna täydelliset osoitetietosi. **Huomaa:** Epätäydelliset osoitetiedot viivästyttävät lähetyksiä. Bestway varaa oikeuden veloittaa toimittamattomien pakettien uudelleentoimituksesta, jos vika on vastaanottajan.

## TARVITTAVA TIETO - KIRJOITA TOIMITUSOSOITE

Nimi: \_\_\_\_\_ Osoite: \_\_\_\_\_

Postinumero: \_\_\_\_\_ Jälleenmyyjä: \_\_\_\_\_

Maa: \_\_\_\_\_ Kaupunki: \_\_\_\_\_

Matkapuhelin: \_\_\_\_\_ Puhelin: \_\_\_\_\_

Faksi: \_\_\_\_\_ Sähköposti: \_\_\_\_\_

SPA-PUMPUN eränumero: \_\_\_\_\_ SPA-altaan eränumero: \_\_\_\_\_

SPA-PUMPUN yksikkökoodi: \_\_\_\_\_



Kaikki kuvat ovat vain havainnollistamistarkoituksessa. Eivät ole mittakaavassa.

## Ongelman kuvaus

- Allas vuotaa       Veden suodatinjärjestelmä ei toimi       Lämmitysyksikkö ei toimi
- Ohjauspaneeli näyttää virhettä, jota ei voi korjata       Lay-Z-hierontajärjestelmä ei toimi
- Pumppu vuotaa       Sovitin vuotaa
- Muu, mikä
- Puuttuva osa – Käytä puuttuvan osan koodia, joka löytyy käyttöohjeesta.

TÄRKEÄÄ: VAIN VAURIOITUNUT OSA KORVATAAN, EI KOKO TUOTETTA.

Bestway varaa oikeuden pyytää valokuvatodisteita viallisista osista tai pyytää tuotteen lähettämistä lisätestejä varten. Voidaksemme auttaa sinua parhaalla mahdollisella tavalla edellyttämme, että täytät kaikki tiedot.

**Bestway**

INTERNET-SIVUSTOSTA [www.bestwaycorp.com](http://www.bestwaycorp.com) LÖYTYY USEIN KYSYTTYJÄ KYSYMYKSIÄ JA NIIDEN VASTUUKSIA, KÄYTTÖOPPAITA, VIDEOITA JA TIETOJA VARAOSISTA. VIDEOITA ON MYÖS NÄHTÄVISSÄ BESTWAY-KANAVALLAMME YOUTUBESSA: [www.youtube.com/user/BestwayService](http://www.youtube.com/user/BestwayService)

# INHOUD Bezoek het Bestway YouTube-kanaal

<b>1. Veiligheidsvoorschriften</b> ..... P77	<b>5. Onderhoud</b> ..... P89
<b>2. Specificaties</b> ..... P80	Filtercassette-onderhoud
<b>3. Installatie</b> ..... P83	Wateronderhoud
<small>Geselecteerde locatie</small>	Afregeling vande luchtklep
<small>Pomptest</small>	De Spa Legen
<b>4. Pompwerking</b> ..... P88	Reinigen van de spa
<small>Verwarmingsreset</small>	Spa reparatie
<small>Bedieningspaneel</small>	Opslag van Lay-Z-Spa
<small>Alarmeren</small>	Weggooien
	<b>6. Probleemoplossing</b> ..... P90
	<b>7. Garantie</b> ..... P91



## VEILIGHEIDSVOORSCHRIFTEN

Bij het installeren en gebruik van deze elektrische apparatuur moeten altijd basis veiligheidsmaatregelen gevolgd worden, ondermeer de volgende:  
**BELANGRIJKE VEILIGHEIDSLINSTRUCTIES. LEES EN VOLG ALLE INSTRUCTIES.**

### WAARSCHUWING:

- De spa moet gevoed worden door een scheidingstransformator of via een aardlekschakelaar (RCD) met een aardlekstroom van maximaal 30mA.
- De pomp moet getest worden vóór elk gebruik, om te testen volg de instructies van de pomp.
- Als de stroomkabel beschadigd is, moet deze door de fabrikant, zijn serviceverstreker of gelijkaardig gekwalificeerde personen worden vervangen om gevaar te vermijden.
- Om het risico op een elektrische schok te reduceren, gebruik geen verlengsnoer om het toestel aan te sluiten en zorg voor een goed bereikbaar stopcontact.
- Geen onderdeel van het toestel mag zich tijdens het gebruik boven het bad bevinden.
- Delen met onderdelen onder stroom, uitgezonderd delen geleverd met een veilige extra lage spanning van niet meer dan 12V, moeten ontoegankelijk zijn voor een persoon in het spa zwembad. Delen met elektrische componenten, uitgenomen afstandsbedieningen, moeten zich bevinden of zodanig bevestigd zijn dat ze niet in het spa zwembad kunnen vallen.
- De spa moet gevoed worden door een gearde stroombron.
- **Waarschuwing: De stekker altijd droog houden, een natte stekker inpluggen is ten sterkste verboden!**
- Het is nodig om toegang te kunnen hebben tot de plug na de installatie van de spa.  
**LET OP:** Ten einde een gevaar te vermijden dat te wijten is aan een onopzettelijk opnieuw instellen van de thermische beveiliging, mag dit apparaat niet gevoed worden door een extern schakelapparaat zoals een timer of aangesloten zijn op een circuit dat regelmatig aan- en uitgeschakeld wordt door het hulpmiddel.  
Nadat uw spa 3-5 jaar werd gebruikt, moet u contact opnemen met een plaatselijke gekwalificeerde onderhoudstechnieker om de veiligheid en prestaties van de spa te verzekeren. De hoofdonderdelen zoals verwarmingselement, luchtuitblaasmotor en terugslagklep in de elektrische unit moeten gecontroleerd en (indien nodig) vervangen worden door een vakman.
- **OM ELEKTRISCHE SCHOK TE VERMIJDEN, GEBRUIK DE SPA NIET WANNEER HET REGENT.**
- Draag nooit contactlenzen wanneer u in uw spa bent.
- Gebruik de spa niet tijdens chemisch onderhoud.
- De stroombron op de wand van het gebouw moet zich op een afstand van meer dan 4 m van het zwembad bevinden en op een hoogte van minstens 1,2 m.
- Er mogen geen verlengsnoeren gebruikt worden.
- Het apparaat niet aansluiten of loskoppelen met natte handen.
- Het apparaat altijd van het stopcontact loskoppelen:
  - op regenachtige dagen
  - vóór reiniging of ander onderhoud
  - indien onbeheerd gelaten tijdens vakanties
- Reiniging en gebruikersonderhoud moeten worden uitgevoerd door een volwassene ouder dan 18 jaar en die bekend is met het risico op elektrische schok.
- Wanneer het apparaat gedurende lange tijd niet gebruikt zal worden, zoals in de winter, moet de spa of zwembadset gedemonteerd en binnenshuis opgeborgen worden
- **Let op:** Lees de instructies vóór het gebruik van het toestel en vóór de installatie of het telkens opnieuw monteren.

- Opbergen van gebruikersinstructies. Als de gebruikersinstructies ontbreken, neem contact op met Bestway of zoek deze op de website [www.bestwaycorp.com](http://www.bestwaycorp.com)
- **Waarschuwing: Voor elektrische veiligheid, is een PRCD ingebouwd in het netsnoer, als een lekstroom van meer dan 10mA wordt gedetecteerd, werkt dit apparaat en zal het de stroomtoevoer afsnijden. Koppel de spa in dat geval los van de stroom en stop meteen het gebruik ervan. Reset het product niet zelf. U moet de plaatselijke serviceverstrekker contacteren om het product te controleren en te repareren.**
- Dit apparaat kan worden gebruikt door kinderen vanaf 8 jaar en ouder en door personen met beperkte fysieke, sensorische of geestelijke capaciteiten of een gebrek aan ervaring en kennis als ze toezicht of instructie krijgen betreffende het gebruik van het apparaat op een veilige manier en de betrokken gevaren begrijpen. Kinderen mogen niet met het apparaat spelen. Kinderen kunnen het apparaat niet reinigen en onderhouden zonder toezicht. (Voor EU-markt)  
Dit apparaat is niet bedoeld voor gebruik door personen (inbegrepen kinderen) met beperkte fysieke, sensorische of geestelijke capaciteiten of een gebrek aan ervaring en kennis tenzij ze toezicht of instructie krijgen betreffende het gebruik van het apparaat door een persoon die verantwoordelijk is voor hun veiligheid. Kinderen moeten in de gaten gehouden worden, zodat ze niet met het apparaat kunnen spelen. (Voor andere markt dan EU)
- Water trekt kinderen aan, bevestig altijd een afdekking boven de spa na elk gebruik.
- De kabel niet in de grond leggen. Plaats de kabel zodanig dat die zo min mogelijk hinder kan geven voor grasmaaiers, heggescharen en andere apparatuur.
- Risico op accidentele verdrinking. Men moet de ongeoorloofde toegang door kinderen voorkomen. Om ongevallen te vermijden, zorg ervoor dat kinderen de spa niet kunnen gebruiken tenzij ze te allen tijden onder toezicht van een volwassene zijn.
- **RISICO OP LETSEL.** Gebruik de spa nooit als de invoer/uitvoerleidingen kapot zijn of ontbreken. Nooit om de invoer/uitvoerleidingen te vervangen. Raadpleeg altijd uw plaatselijke dienst Naverkoop.
- **RISICO OP ELEKTRISCHE SCHOK.** Installeer op minstens 2 m van alle metalen oppervlakken.
- **RISICO OP ELEKTRISCHE SCHOK.** Bedien nooit een elektrisch apparaat wanneer u in uw spa bent of wanneer uw lichaam nat is. Plaats nooit een elektrisch apparaat zoals lamp, telefoon, radio of televisie binnen een afstand van 2 meter van de spa.
- Tijdens de zwangerschap kan het liggen weken in warm water schade aan de foetus veroorzaken. Beperk het gebruik tot 10 minuten per keer.
- **OM RISICO OP LETSEL TE REDUCEREN:**
  - A. Het water in een spa mag nooit meer dan 40°C (104°F) zijn. Een watertemperatuur tussen 38°C (100°F) en 40°C (104°F) wordt als veilig beschouwd voor een gezonde volwassene. Lagere watertemperaturen worden aanbevolen voor jonge kinderen en wanneer de spa langer dan 10 minuten wordt gebruikt.
  - B. Gezien buitensporige watertemperaturen veel kans met zich brengen op schade aan de foetus tijdens de eerste maanden van een zwangerschap, moeten zwangere of mogelijk zwangere vrouwen de watertemperatuur in de spa beperken tot 38°C (100°F).
  - C. Vooraleer een spa te betreden, zou de gebruiker de watertemperatuur moeten meten met een nauwkeurige thermometer gezien de tolerantie van het apparaat dat de temperatuur regelt, schommelt.
  - D. Het gebruik van alcohol, drugs of medicatie voor of tijdens het gebruik van een spa kan leiden tot bewusteloosheid met de mogelijkheid van verdrinking.
  - E. Zwaarlijvige personen en personen met een voorgeschiedenis van hartziekte, lage of hoge bloeddruk, problemen van het hart- of vaatstelsel of diabetes moeten een arts raadplegen vooraleer ze een spa gebruiken.
  - F. Personen die medicatie gebruiken moeten een arts raadplegen vooraleer ze een spa gebruiken gezien sommige medicatie duizeligheid kan veroorzaken terwijl andere medicatie een invloed kan hebben op de hartslag, bloeddruk en circulatie.
- **OM RISICO OP LETSEL TE REDUCEREN:** Giet nooit water met een temperatuur van meer dan 40°C (104°F) rechtstreeks in het spa zwembad.
- Het gebruik van alcohol, drugs of medicatie kan het risico op fatale oververhitting sterk vergroten. Oververhitting treedt op wanneer de interne temperatuur van het lichaam een niveau bereikt dat verschillende graden boven de normale lichaamstemperatuur van 37°C (98,6°F) ligt. De symptomen van oververhitting zijn ondermeer een stijging van de interne temperatuur van het lichaam, duizeligheid, lethargie, duizeligheid en flauwvallen. De effecten van oververhitting omvatten het onvermogen om hitte waar te nemen, het onvermogen om de noodzaak te

herkennen om uit de spa of jacuzzi te stappen, de onwetendheid van een dreigend gevaar, beschadiging aan de foetus bij zwangere vrouwen, het fysiek onvermogen om uit de spa of jacuzzi te stappen en bewusteloosheid die resulteert in het gevaar op verdrinking.

- Elektrische installaties moeten de nationale bedradingsregelgevingen volgen, raadpleeg een gekwalificeerde elektricien als u vragen hebt.

### RAADPLEEG UW ARTS VOOR AANBEVELINGEN.

#### LET OP:

- De spa moet niet geïnstalleerd worden of blijven in een temperatuur die lager is dan 4°C (40°F).
- Gebruik de spa niet alleen.
- Mensen met besmettelijke ziekten mogen de spa niet gebruiken.
- Gebruik de spa niet onmiddellijk na zware inspanningen.
- Ga altijd traag en voorzichtig in en uit de spa. Natte oppervlakken zijn glad.
- Om schade aan de pomp te vermijden, mag de spa nooit gebruikt worden tenzij deze gevuld is met water.
- Ga onmiddellijk uit de spa als de gebruiker zich onaangenaam of slaperig voelt.
- Voeg nooit water toe aan chemicaliën. Voeg altijd chemicaliën toe aan water om sterke dampen of hevige reacties te vermijden die kunnen resulteren in gevaarlijke chemische verstuivingen.
- Raadpleeg het deel "ONDERHOUD" voor informatie betreffende reiniging, onderhoud van water en afvoer van water.
- Raadpleeg de onderstaande paragraaf van de handleiding voor informatie over de installatie.

#### OPMERKING:

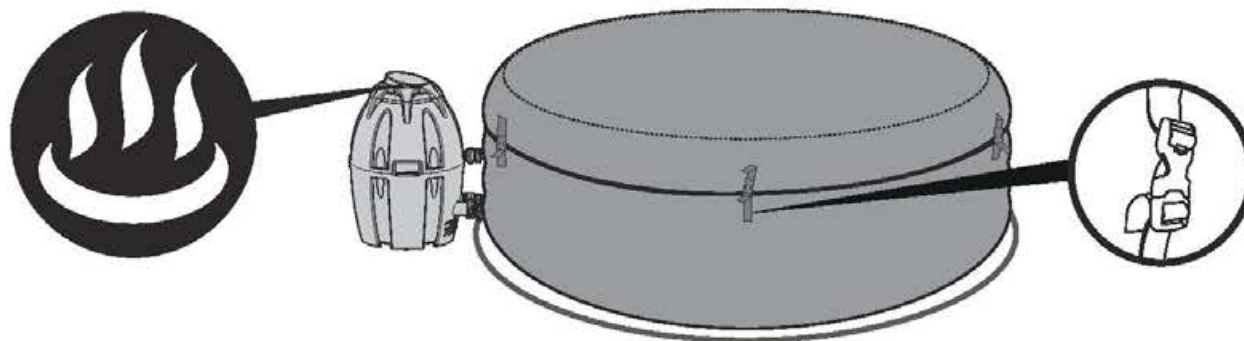
- Onderzoek de apparatuur vóór gebruik. Breng Bestway via het Klantenservice-adres vermeld in deze handleiding op de hoogte als er onderdelen beschadigd zijn of ontbreken bij aankoop. Controleer dat de apparatuuronderdelen de modellen vertegenwoordigen die u wenste te kopen.
- Dit product is niet bedoeld voor commercieel gebruik.

## BEWAAR DEZE INSTRUCTIES

### BELANGRIJK!

Om 40° (104°) te bereiken, is de verwarmingsduur gebaseerd op de startwatertemperatuur en de omgevingstemperatuur, de onderstaande gegevens zijn zuiver als referentie. Om de huidige watertemperatuur weer te geven, laat het filtersysteem gedurende minstens een minuut werken.

Omgevings-temperatuur	Watertempera-tuur	Ingestelde temperatuur	Verwarmings-duur
10°C(50°F)	10°C(50°F)	40°C(104°F)	18,5h
15°C(59°F)	15°C(59°F)	40°C(104°F)	15h
20°C(68°F)	20°C(68°F)	40°C(104°F)	11,5h
25°C(77°F)	25°C(77°F)	40°C(104°F)	8,5h
30°C(86°F)	30°C(86°F)	40°C(104°F)	5,5h

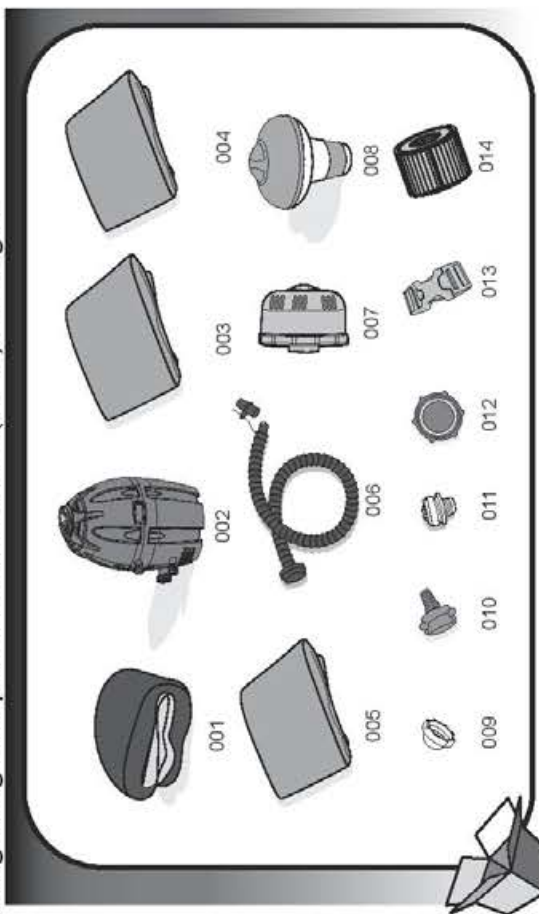


Vergeet de SPA niet af te dekken met de SPA-afdekking wanneer de verwarmingsfunctie geactiveerd is. Als de SPA niet afgedekt wordt, zal de verwarmingstijd stijgen. Gebruik de SPA niet wanneer de omgevingstemperatuur lager is dan 4°C (39°F).

## SPECIFICATIES VOOR LAY-Z-SPA™ VEGAS AirJet (#54112)

Capaciteit:	4-6 volwassena	Masserende Turbo Blower:	800W	Verhoogde hartslag:	Ongeveer 1,5-2°C/h (3-4°F/h)
Watercapaciteit (80%):	935 L (247 gal)	Verwarmingselement:	2.000W bij 20°C	Werkelijke waterstroom:	1.325 L/h (350 gal/h)
Opgeblazen grootte:	1,96m x 61cm (77" x 24")	Pomp:	50W Circulatiefilterpomp	Vermogen:	220-240V AC, 2.050W bij 20°C
Gevuld gewicht:	966 kg (2.130 Lb)	Temperatuursensoren:	40°C (104°F)	Werkdruk:	0,8PSI (0,055Bar)

**OPMERKING:** Het hogervermelde verwarmingsvermogen is gebaseerd op een labotest uitgevoerd met een omgevingstemperatuur van 25°C (77°F) en hoger.



Onderdeelnr.	Onderdeelcode	Beschrijving	HOEV
001	54112TASS15	Zwembadbekleding	1
002	P4H054ASS17	SPA-verwarmer	1
003	P5H284GASS17	Bovenste leatheroid-afdekking	1
004	P5H284TASS17	Bekleding leatheroid-afdekking	1
005	54112GASS15	Opblaasbare afdekking	1
006	P6931	Opblaaslang	1
007	P6653	Filterset	1
008	58426S17	Chemische floater	1
009	P6575	Stoppers	2
010	P6932	Slangadapter	1
011	F4A024ASS	Schroefklep	1
012	P6611	Afdekking adapter A	1
013	F6414ASS	Gesp	8
014	58323	Filtercassette (VI)	2

## SPECIFICATIES VOOR LAY-Z-SPA™ MONACO AirJet (#54113)

Capaciteit:	6-8 volwassena	Masserende Turbo Blower:	800W	Verhoogde hartslag:	Ongeveer 1,0-1,5°C/h (2-3°F/h)
Watercapaciteit (80%):	1.463 L (384 gal.)	Verwarmingselement:	2.000W bij 20°C	Werkelijke waterstroom:	1.325 L/h (350 gal/h)
Opgeblazen grootte:	2,01m x 69cm (79" x 27")	Pomp:	50W Circulatiefilterpomp	Vermogen:	220-240V AC, 2.050W bij 20°C
Gevuld gewicht:	1.490 kg (3.284 Lb)	Temperatuursensoren:	40°C (104°F)	Werkdruk:	7PSI-10PSI (0,48Bar-0,69Bar)

**OPMERKING:** Het hogervermelde verwarmingsvermogen is gebaseerd op een labotest uitgevoerd met een omgevingstemperatuur van 25°C (77°F) en hoger.



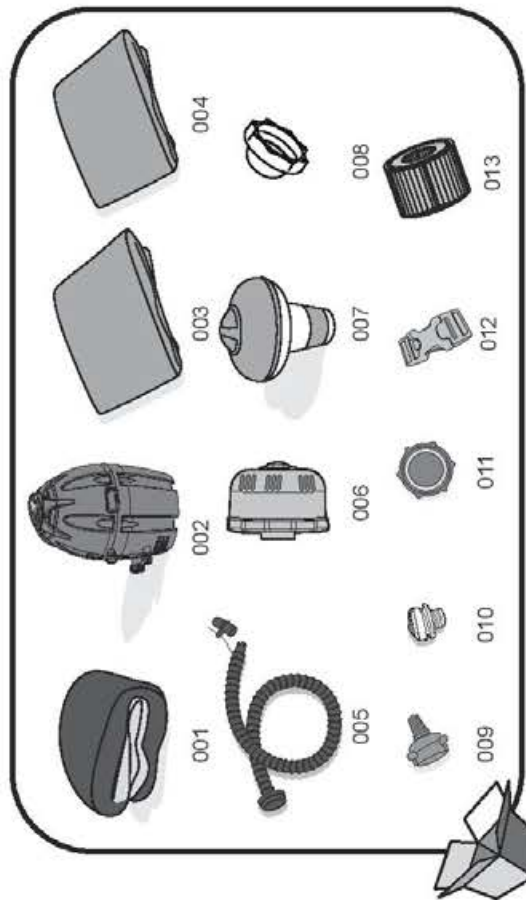
Onderdeelnr.	Onderdeelcode	Beschrijving	HOEV
001	54113TASS17	Zwembadbekleding	1
002	P4D148ASS17	SPA-verwarmer	1
003	P5D288ASS17	Bovenste leatheroid-afdekking	1
004	54113GASS17	Opblaasbare afdekking	1
005	P6931	Opblaaslang	1
006	P6653	Filterset	1
007	58426S17	Chemische floater	1
008	P3054Q17	Hogedruk handpomp	1
009	F6H189ASS15	Moersleutel	1
010	P6675	Stoppers	2
011	P6932	Slangadapter	1
012	P6608	Manometer	1
013	P6611	Afdekking adapter A	1
014	12632ASS15	Opgeblazen kussens	4
015	P6H-971	Opblaasklep	1
016	F6414ASS	Gesp	6
017	58323	Filtercassette (VI)	2



## SPECIFICATIES VOOR LAY-Z-SPA™ MIAMI AirJet (#54123)

Capaciteit:	2-4 volwassenen	Masserende Turbo Blower:	800W	Verhoogde hartslag:	Ongeveer 1,5-2°C/h (3-4°F/h)
Watercapaciteit (80%):	669 L (177 gal)	Verwarmingselement:	2.000W bij 20°C	Werkelijke waterstroom:	1.325 L/h (350 gal/h)
Opgeblazen grootte:	1,80m x 66cm (71" x 26")	Pomp:	50W Circulatiefilterpomp	Vermogen:	220-240V AC, 2.050W bij 20°C
Gevuld gewicht:	696 kg (1.534 Lb)	Temperatuuraandelen:	40°C (104°F)	Werkdruk:	0,8PSI (0,055Bar)

**OPMERKING:** Het hogervermelde verwarmingsvermogen is gebaseerd op een labotest uitgevoerd met een omgevingstemperatuur van 25°C (77°F) en hoger.

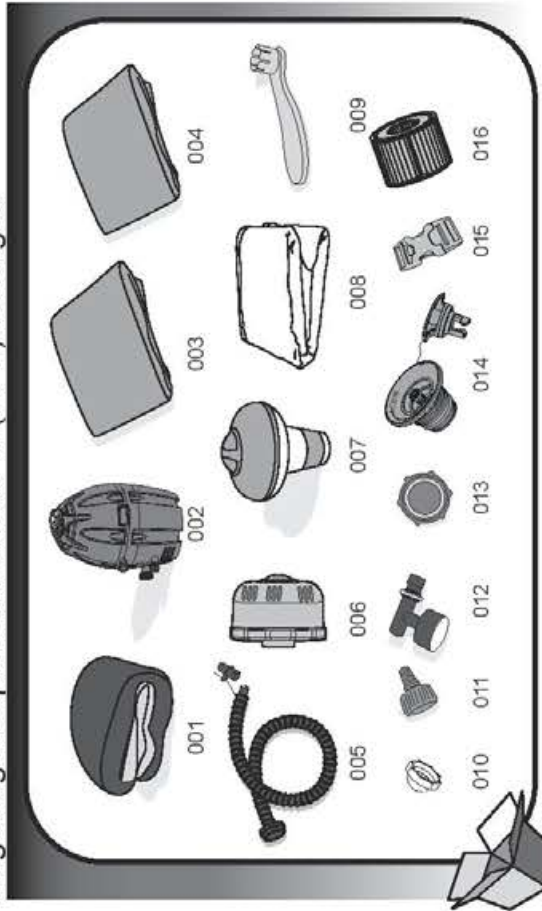


Onderdeelnr.	Onderdeelcode	Beschrijving	HOEV
001	54123TASS17	Zwembadbekleding	1
002	P4H054ASS17	SPA-verwarmer	1
003	P5C364ASS17	Versterkte bovenafdekking	1
004	54123GASS17	Opblaasbare afdekking	1
005	P6931	Opblaaslang	1
006	P6653	Filterset	1
007	58426S17	Chemische floater	1
008	P6575	Stoppers	2
009	P6932	Slangadapter	1
010	F4024ASS	Schroefklep	1
011	P6611	Afdekking adapter A	1
012	F6414ASS	Gesp	6
013	58323	Filtercassette (VI)	2

## SPECIFICATIES VOOR LAY-Z-SPA™ PALM SPRINGS AirJet (#54129)

Capaciteit:	4-6 volwassenen	Masserende Turbo Blower:	800W	Verhoogde hartslag:	Ongeveer 1,5-2°C/h (3-4°F/h)
Watercapaciteit (80%):	916 L (242 gal)	Verwarmingselement:	2.000W bij 20°C	Werkelijke waterstroom:	1.325 L/h (350 gal/h)
Opgeblazen grootte:	1,96m x 71cm (77" x 28")	Pomp:	50W Circulatiefilterpomp	Vermogen:	220-240V AC, 2.050W bij 20°C
Gevuld gewicht:	954 kg (2.103 Lb)	Temperatuuraandelen:	40°C (104°F)	Werkdruk:	1,2PSI (0,08Bar)

**OPMERKING:** Het hogervermelde verwarmingsvermogen is gebaseerd op een labotest uitgevoerd met een omgevingstemperatuur van 25°C (77°F) en hoger.

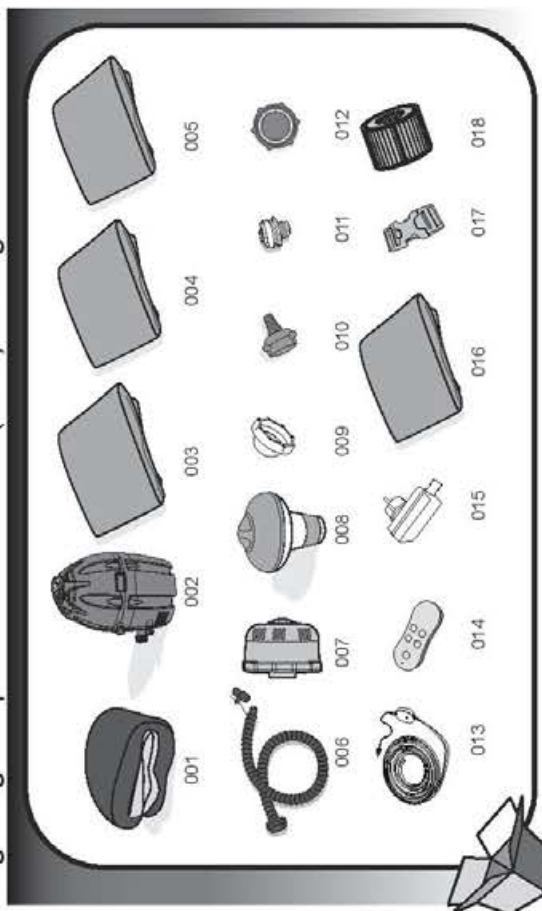


Onderdeelnr.	Onderdeelcode	Beschrijving	HOEV
001	54129TASS17	Zwembadbekleding	1
002	P4E079ASS17	SPA-verwarmer	1
003	P5B401ASS17	Bovenste leatheroïd-afdekking	1
004	54129GASS17	Opblaasbare afdekking	1
005	P6930	Opblaaslang	1
006	P6653	Filterset	1
007	58426S17	Chemische floater	1
008	58321(H)S15	Vloermat	1
009	F6H189ASS15	Moersleutel	1
010	P6575	Stoppers	2
011	P6H565	Slangadapter	1
012	P6T199	Manometer	1
013	P6611	Afdekking adapter A	1
014	P6H971	Opblaasklep	1
015	F6414ASS	Gesp	6
016	58323	Filtercassette (VI)	2

## SPECIFICATIES VOOR LAY-Z-SPA™ PARIS AirJet (#54148)

Capaciteit:	4-6 volwassenen	Maasserende Turbo Blower:	800W	Verhoogde hartslag:	Ongeveer 1,5-2°C/h (3-4°F/h)
Watercapaciteit (80%):	806 L (213 gal)	Verwarmingselement:	2.000W bij 20°C	Werkelijke waterstroom:	1.325 L/h (350 gal/h)
Opgeblazen grootte:	1,96m x 66cm (77" x 26")	Pomp:	50W Circulatiefilterpomp	Vermogen:	220-240V AC, 2.050W bij 20°C
Gevuld gewicht:	840 kg (1.851 Lb)	Temperatuursensoren:	40°C (104°F)	Werkdruk:	0,9PSI (0,055Bar)

**OPMERKING:** Het hogervermelde verwarmingsvermogen is gebaseerd op een labotest uitgevoerd met een omgevingstemperatuur van 25°C (77°F) en hoger.

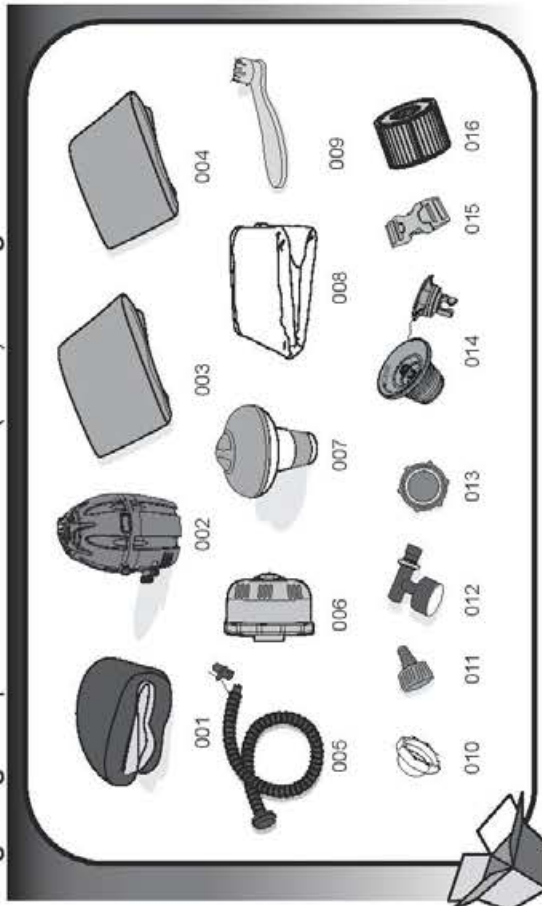


Onderdeelnr.	Onderdeelcode	Beschrijving	HOEV
001	54148TASS16	Zwembadbekleding	1
002	P4H054AASS17	SPA-verwarmer	1
003	P5H284GASS17	Bovenste leatheroid-afdekking	1
004	P5H513TASS17	Bekleding leatheroid-afdekking	1
005	54148GASS16	Opblaasbare afdekking	1
006	P6931	Opblaas slang	1
007	P6653	Filterset	1
008	58426S17	Chemische floater	1
009	P6575	Stoppers	2
010	P6932	Slangadapter	1
011	F4A024AASS	Schroefklep	1
012	P6611	Afdekking adapter A	1
013	P61670	LED-strip	1
014	P61232	Afstandsbediening	1
015	P61671	Transformator	1
016	58321(H)S15	Vloermat	1
017	F6414AASS	Gesp	8
018	58323	Filtercassette (VI)	2

## SPECIFICATIES VOOR LAY-Z-SPA™ Hawaii AirJet (#54154)

Capaciteit:	4-6 volwassenen	Maasserende Turbo Blower:	800W	Verhoogde hartslag:	Ongeveer 1,5-2°C/h (3-4°F/h)
Watercapaciteit (80%):	840 L (222 gal.)	Verwarmingselement:	2.000W bij 20°C	Werkelijke waterstroom:	1.325 L/h (350 gal/h)
Opgeblazen grootte:	1,80m x 1,80m x 71cm (71" x 71" x 28")	Pomp:	50W Circulatiefilterpomp	Vermogen:	220-240V AC, 2.050W bij 20°C
Gevuld gewicht:	879 kg (1.938 Lb)	Temperatuursensoren:	40°C (104°F)	Werkdruk:	1,2PSI (0,08Bar)

**OPMERKING:** Het hogervermelde verwarmingsvermogen is gebaseerd op een labotest uitgevoerd met een omgevingstemperatuur van 25°C (77°F) en hoger.

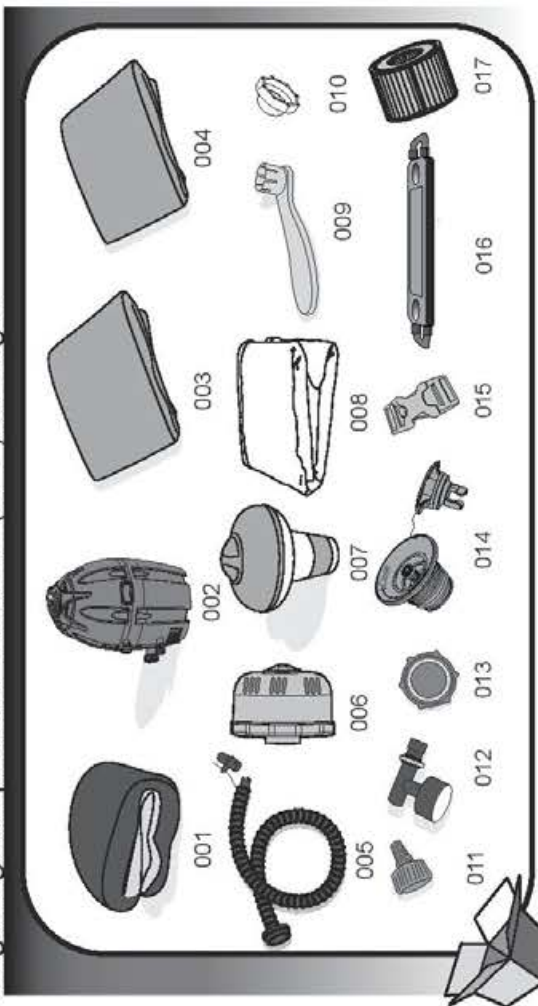


Onderdeelnr.	Onderdeelcode	Beschrijving	HOEV
001	54154TASS17	Zwembadbekleding	1
002	P4D148AASS17	SPA-verwarmer	1
003	P5D588GASS17	Bovenste leatheroid-afdekking	1
004	54138GASS17	Opblaasbare afdekking	1
005	P6930	Opblaas slang	1
006	P6653	Filterset	1
007	58426S17	Chemische floater	1
008	58371(H)S15	Vloermat	1
009	F6H189AASS15	Moersleutel	1
010	P6575	Stoppers	2
011	P6H565	Slangadapter	1
012	P6H199	Manometer	1
013	P6611	Afdekking adapter A	1
014	P6H971	Opblaas klep	1
015	F6414AASS	Gesp	8
016	58323	Filtercassette (VI)	2

## SPECIFICATIES VOOR LAY-Z-SPA™ Siena AirJet (#54156)

Capaciteit:	2 volwassenen	Masserende Turbo Blower:	800W	Verhoogde hartslag:	Origineel 2,2,5°C/h (3,5-4,5°F/h)
Watercapaciteit (80%):	509 L (134 gal.)	Verwarmingselement:	2.000W bij 20°C	Werkelijke waterstroom:	1.325 L/h (350 gal/h)
Opgeblazen grootte:	2,49m x 1,49m x 66cm (98" x 59" x 26")	Pomp:	50W	Vermogen:	220-240V AC, 2.050W bij 20°C
Gevuld gewicht:	548 kg (1.205 Lb)	Temperatuurspatulen:	40°C (104°F)	Werkdruk:	1,2PSI (0,08Bar)

**OPMERKING:** Het hogervermelde verwarmingsvermogen is gebaseerd op een labotest uitgevoerd met een omgevingstemperatuur van 25°C (77°F) en hoger.



Onderdeelnr.	Onderdeelcode	Beschrijving	HOEV
001	54156TASS17	Zwembadbekleding	1
002	P4H054ASS17	SPA-verwarmer	1
003	P5694ASS17	Bovenste leathroid-afdekking	1
004	54156GASS17	Opblaasbare afdekking	1
005	P6930	Opblaas slang	1
006	P6653	Filterset	1
007	58426S17	Chemische floater	1
008	P5696	Vloermat	1
009	F6H189ASS15	Moersleutel	1
010	P6675	Stoppers	2
011	P6H565	Slangadapter	1
012	P61199	Manometer	1
013	P6611	Afdekking adapter A	1
014	P6H971	Opblaas klep	1
015	F6414ASS	Gesp	8
016	P5595	Drankentafel	1
017	58323	Filtercassette (VI)	2

## INSTALLATIE

### Geselecteerde locatie

**WAARSCHUWING:** De geselecteerde locatie moet de verwachte lading kunnen dragen.

**WAARSCHUWING:** Er moet een adequaat afvoersysteem voorzien worden om overstromend water voor zowel installaties binnenshuis als buitenshuis te kunnen afvoeren.

**BELANGRIJK:** Omwille van het gecombineerde gewicht van de Lay-Z-Spa, water en gebruikers, is het bijzonder belangrijk dat de bodem waarom de Lay-Z-Spa geïnstalleerd is, vlak, gelijk en waterpas is en in staat is om het gewicht de volledige tijd dat de Lay-Z-Spa geïnstalleerd is te dragen (niet op tapijt of een ander gelijkaardig materiaal). Als de Lay-Z-Spa op een oppervlak staat dat niet aan deze vereisten voldoet, is alle schade veroorzaakt door een ongeschikte ondersteuning niet gedekt door de fabrieksgarantie. Het is de verantwoordelijkheid van de eigenaar van de Lay-Z-Spa om altijd te zorgen voor de integriteit van de plaats.

### 1. Installatie binnenshuis:

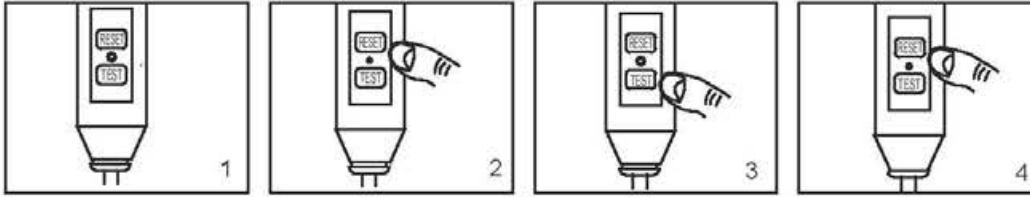
**Houd rekening met speciale vereisten wanneer u de spa binnenshuis installeert.**

- Vochtigheid is een natuurlijke nevenwerking van de installatie van Lay-Z-Spa. Bepaal de effecten van vocht in de lucht op blootgesteld hout, papier, enz. in de voorgestelde locatie. Om deze effecten te minimaliseren, is het 't beste om veel ventilatie in het geselecteerde gebied te voorzien. Een architect kan helpen bepalen of meer ventilatie nodig is.

### 2. Installatie buitenshuis:

- Tijdens het vullen, leeglopen of wanneer in gebruik kan er water uit de spa stromen. De Lay-Z-Spa moet daarom nabij een vloerafvoer geïnstalleerd worden.
- Laat het oppervlak van de spa niet gedurende lange tijdsperiodes blootgesteld zijn aan direct zonlicht.

## PRCD-test



**OPMERKING:** Tekeningen enkel voor illustratiedoeleinden. Mogelijk geen weerspiegeling van het werkelijke product. Niet op schaal.

1. Steek de stekker in.
2. Druk op de knop "RESET", het indicatielampje gaat aan.
3. Druk op de knop "TEST", het indicatielampje gaat uit.
4. Druk op de knop "RESET", het indicatielampje gaat aan.
5. Druk gedurende 2 seconden op de ON/OFF-knop, uw pomp is klaar voor gebruik.

**WAARSCHUWING:** The PRCD plug must be tested before each use to avoid risk of electric shock.

**WAARSCHUWING:** Voor u de stekker in het stopcontact steekt, zorg ervoor dat het vermogen van het stopcontact geschikt is voor de pomp.

**WAARSCHUWING:** Gebruik de pomp niet als deze test faalt en neem contact op met onze dienst Naverkoop



**OPMERKING:** Bij het opblazen zult u merken dat lucht wordt verdreven uit het gebied waar de luchtslang aangesloten is op de pomp, dit is normaal.

**OPMERKING:** Geen luchtcompressor gebruiken om het zwembad op te blazen.

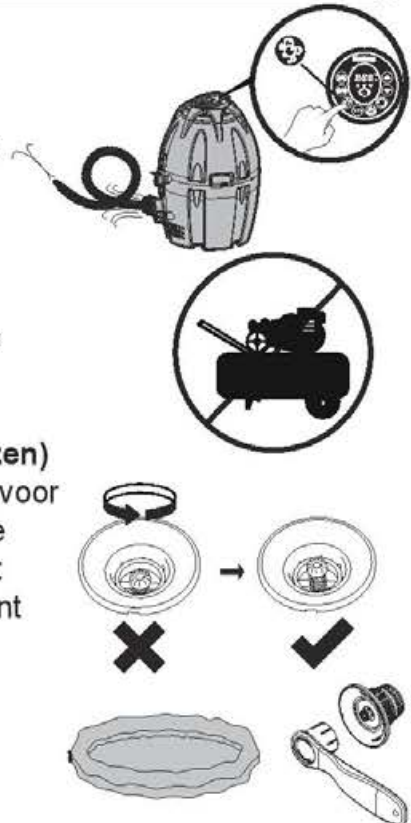
**OPMERKING:** Trek het zwembad niet over ruwe grond, dit kan de zwembadbekleding beschadigen.

**OPMERKING:** Opblaastijd enkel voor referentie.

**OPMERKING:** De manometer dient enkel voor opblaasdoeleinden en de waarde van de manometer dient enkel ter referentie, het is geen precisietoestel.

### Luchtkeplecontrole (voor spa met klep voor snel opblazen/uitblazen)

Controleer altijd zorgvuldig de luchtkeple vóór het opblazen en zorg ervoor dat er geen luchtkeple is. Als de luchtkeple los is, gebruik de bijgeleverde moersleutel om de kleple steviger dicht te zetten via volgende stappen: Met één hand, houd de achterkant van de luchtkeple van de binnenkant van de spa-wand en draai de sleutel in wijzerzin.

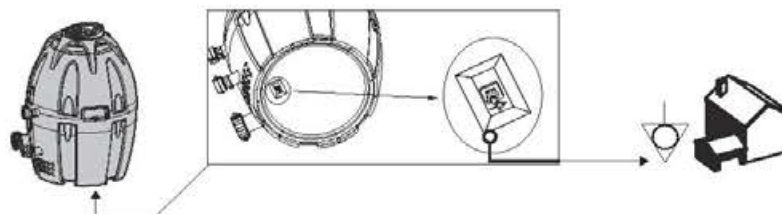


### OPMERKING:

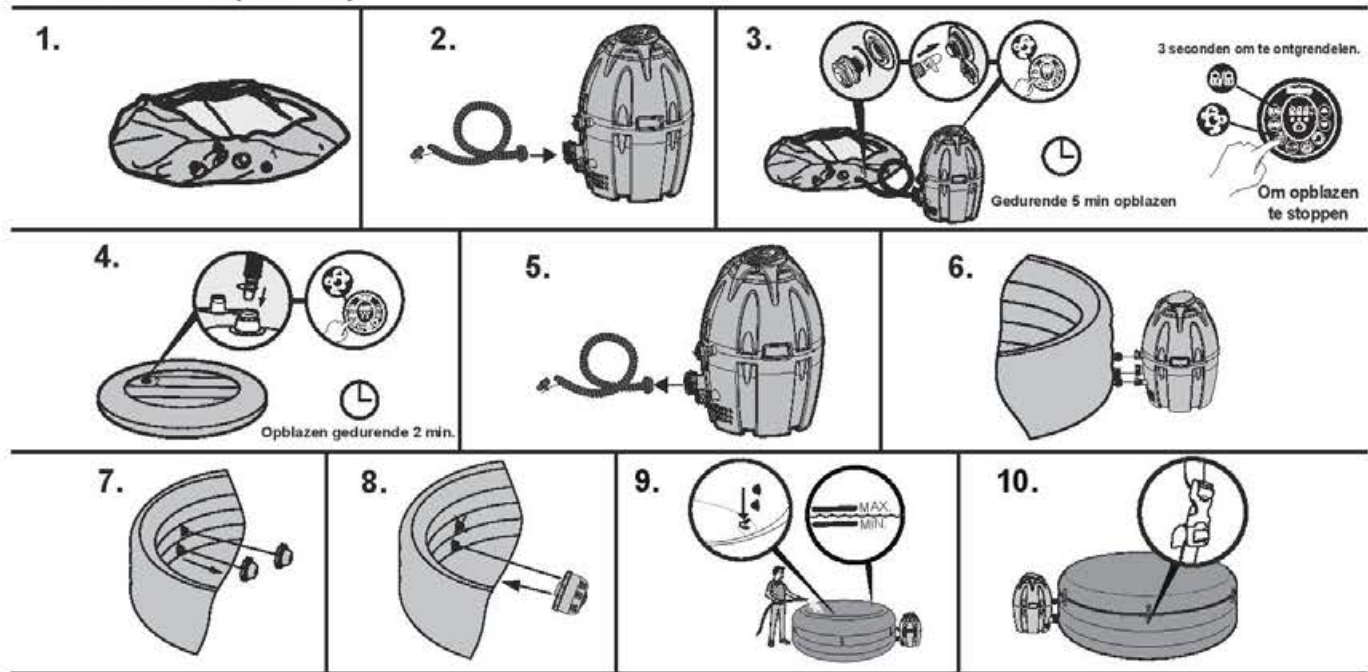
1. Niet te stevig aandraaien.
2. Stel de luchtkeple niet af wanneer de spa in gebruik is.

## POTENTIALVEREFFENINGSAANSLUITING VAN DE SPA POMP

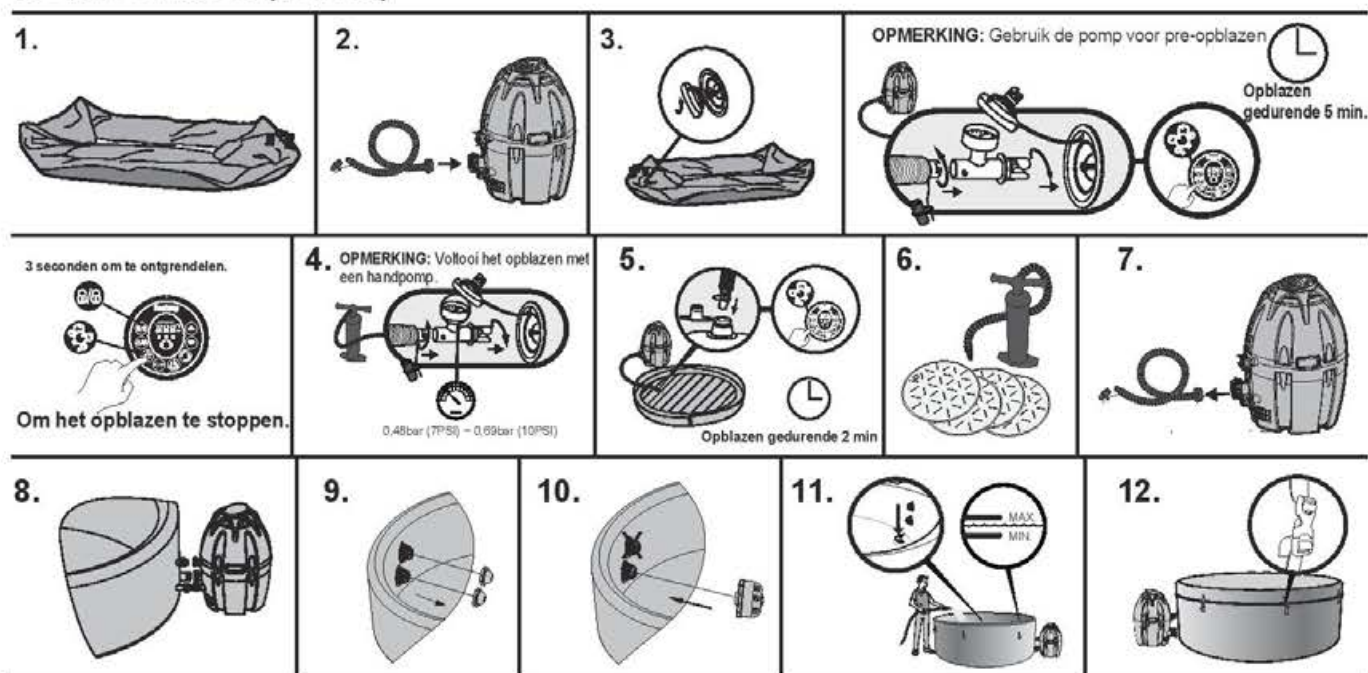
Het is aanbevolen om te zorgen voor een gekwalificeerde elektricien om de SPA pomp aan te sluiten op een aardaansluiting middels een massief koperen geleider van (minimum) 2,5 mm<sup>2</sup>.



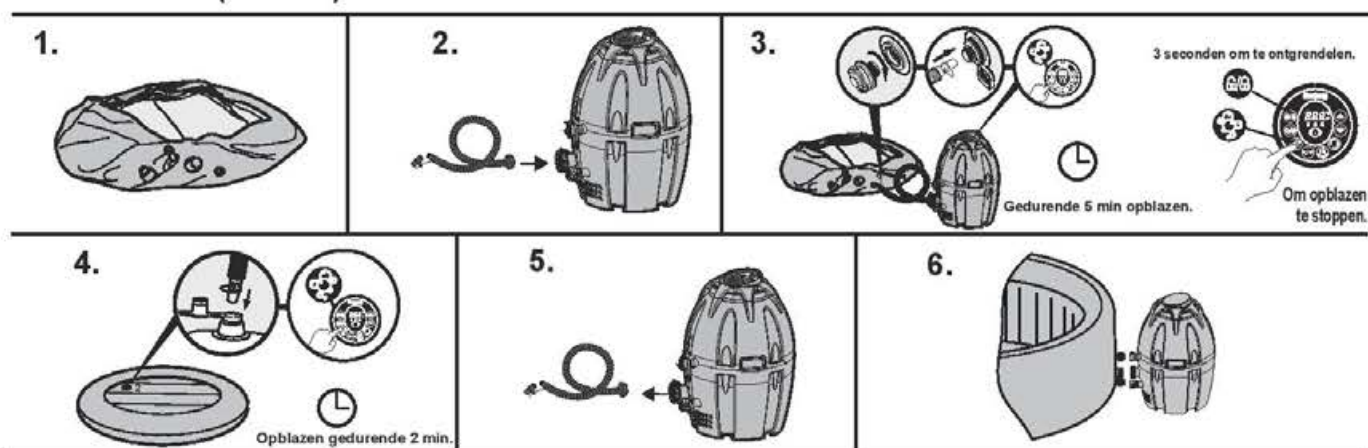
## VEGAS AirJet (#54112)

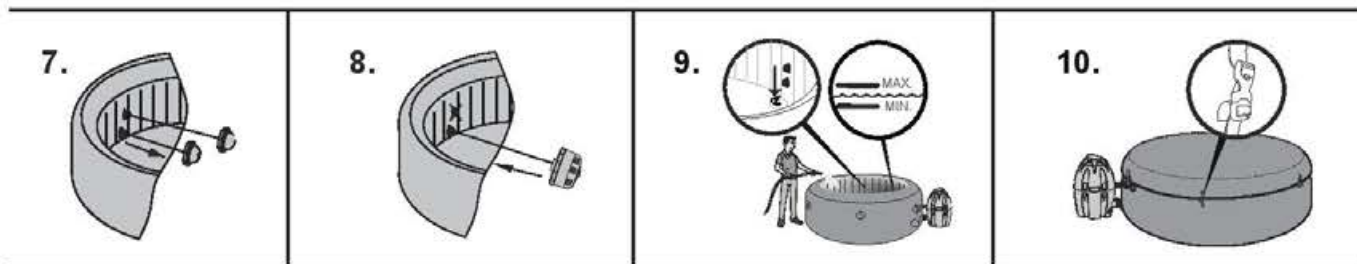


## MONACO AirJet (#54113)

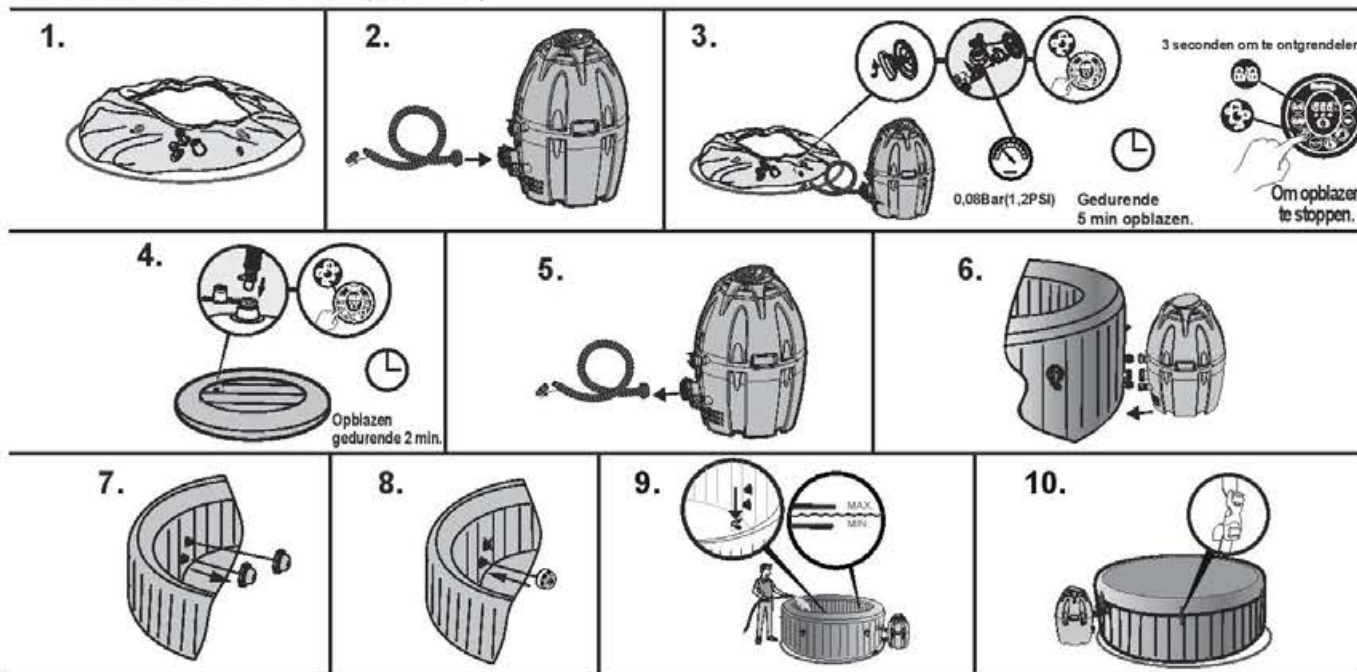


## MIAMI AirJet (#54123)

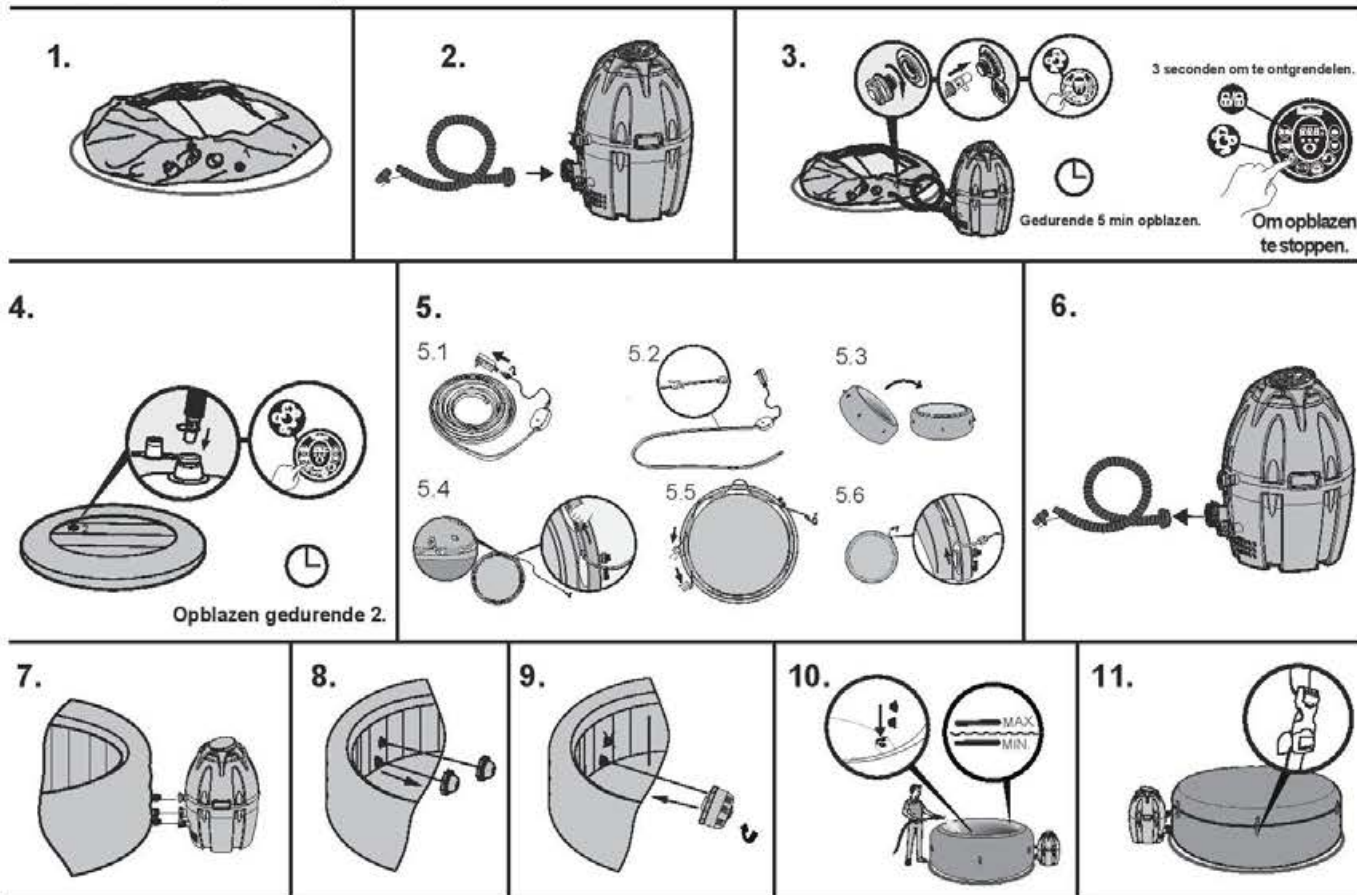




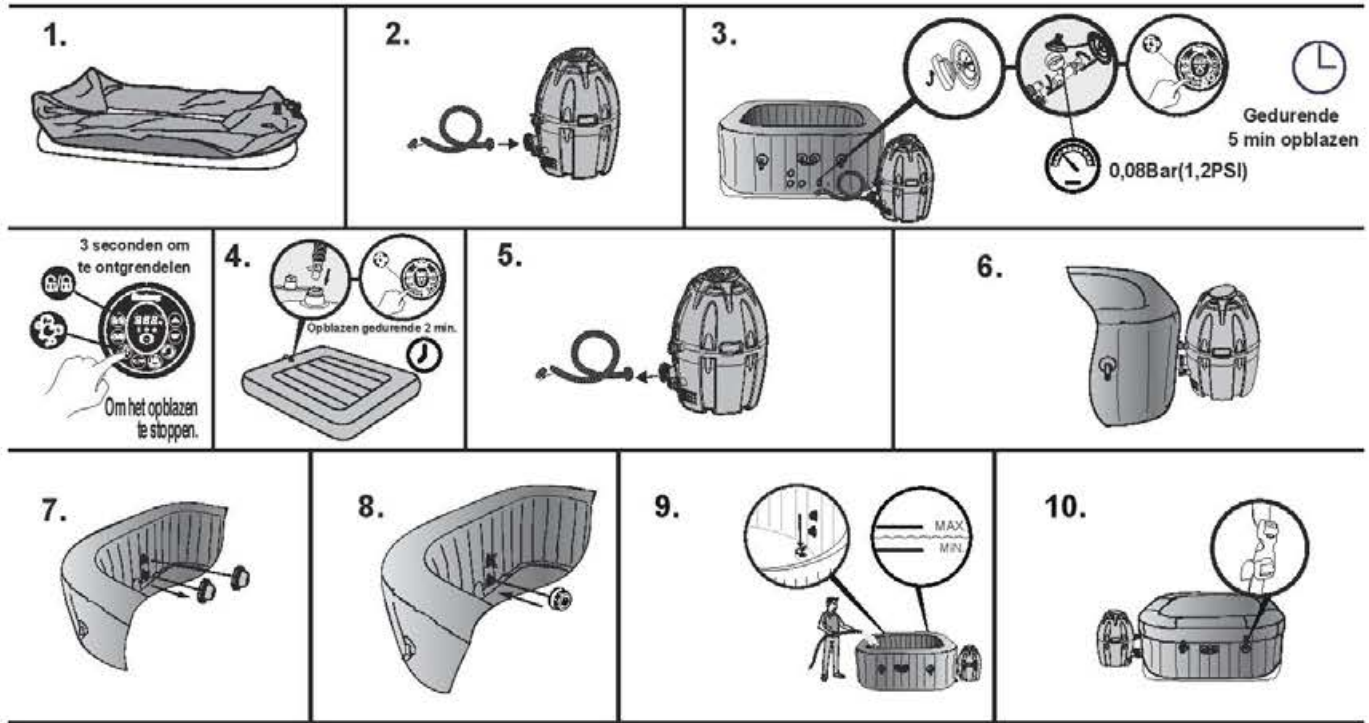
**PALM SPRINGS AirJet (#54129)**



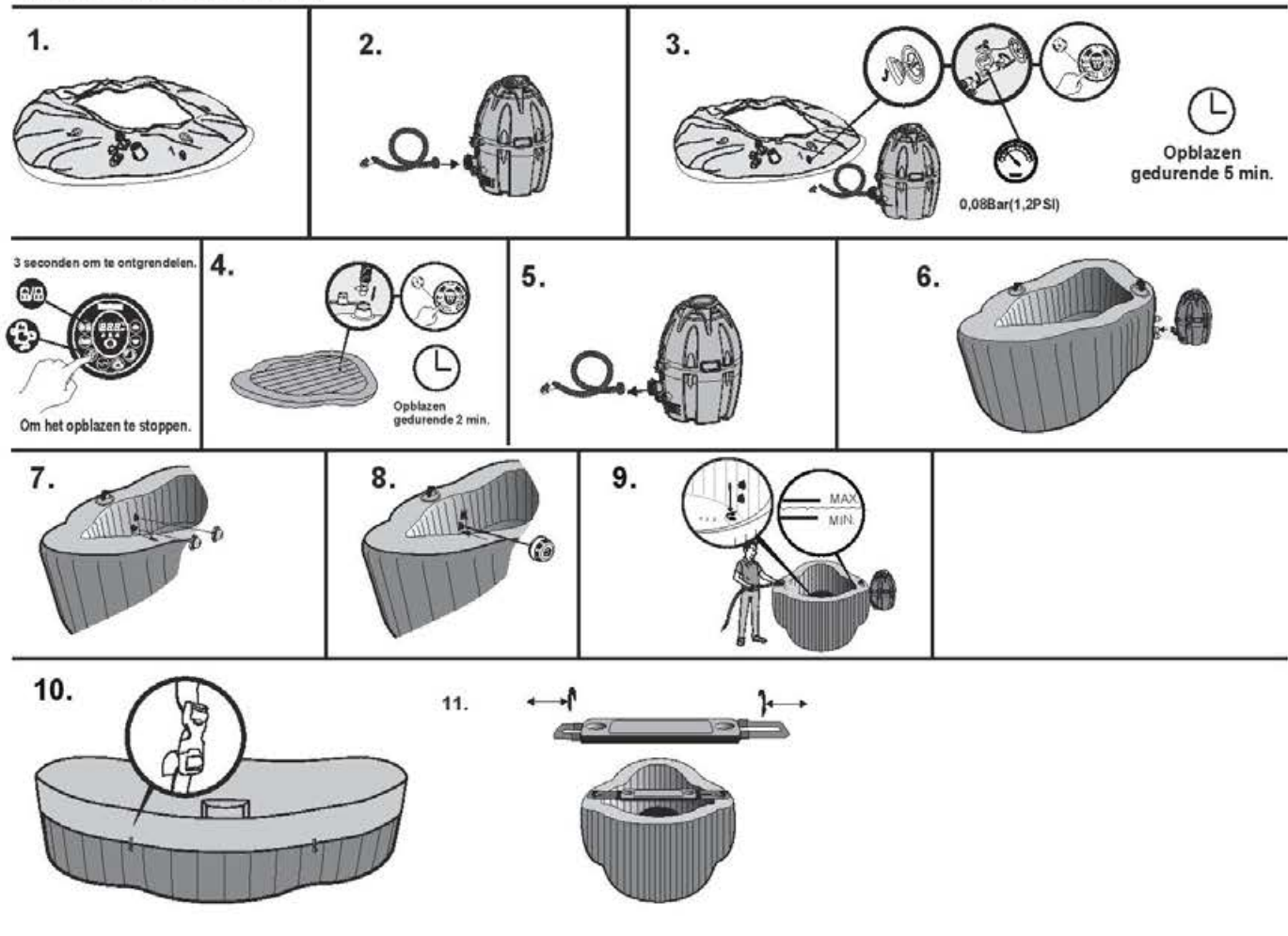
**PARIS AirJet (#54148)**



## HAWAII AirJet (#54154)



## SIENA AirJet (#54156)



## POMPWERKING

### Verwarmingsreset

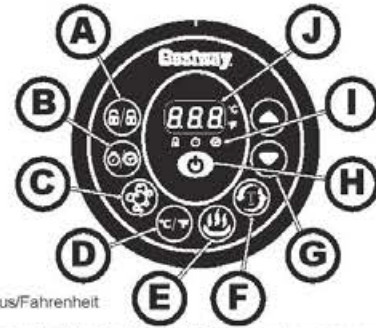
Wanneer u de Lay-Z-Spa voor de eerste keer gebruikt, of na een lange periode van inactiviteit, zorg ervoor dat u op de resetknop op de pomp drukt met behulp van een klein en dun object.

### RESET-KNOP

#### BELANGRIJKE INSTRUCTIES VOOR GEBRUIK

Als de temperatuur op het bedieningspaneel (of de watertemperatuur) niet gewijzigd is 4-5 uur na de activering van het verwarmingssysteem, gebruik dan een dun object om de RESET-KNOP in te drukken en het verwarmingssysteem opnieuw te starten.

**BELANGRIJK:** Het verwarmingssysteem zal niet werken als de buitentemperatuur hoger is dan 40°C (104°F) of als de Lay-Z-Spa onder direct zonlicht is. Wacht onder deze omstandigheden tot een koeler moment van de dag voor u de RESET-KNOP indrukt met een dun object en het verwarmingssysteem herstart.



### A Vergrendel/Ontgrendelknop



De pomp heeft een 5 minuten automatische vergrendelingsfunctie. Het LED-licht zal dimmen wanneer de pomp vergrendeld is (geen functie is geactiveerd). Om de pomp te vergrendelen of te ontgrendelen, plaats gedurende 3 seconden een vinger over de vergrendel/ontgrendelknop.

### B Stroombesparende timerknop



Dit is een nieuw toegevoegde functie, ontworpen om stroomverspilling te helpen vermijden door de tijd en duur van de verwarmingscyclus voor de spa in te stellen. Op deze manier kunt u genieten van uw spa op het moment dat u wenst, zonder dat u de verwarmers de hele tijd aan moeten laten staan.

#### STAP 1: De verwarmingsduur instellen

1. Druk op de knop en de LED begint te knipperen.
2. Druk op de knop of om de verwarmingsduur in te stellen (Van 1-48 uur).
3. Druk opnieuw op de knop om de verwarmingsduur te bevestigen.

#### STAP 2: Het aantal uren VANAF NU instellen wanneer de verwarmers zal activeren

1. Na het instellen van de verwarmingsduur, begint de LED te knipperen.
2. Druk op de knop of om het aantal uur tot de tijd van de activering in te stellen (Van 0-99 uur).

3. Druk opnieuw op de knop of raak eenvoudig gedurende 10 seconden niets aan om de instelling te bevestigen. De LED blijft ingeschakeld en het aftellen naar de activering van de verwarming begint.

**Om de timerinstellingen te wijzigen:** Druk op de knop en gebruik de knop of om in te stellen.

**Om de instelling te annuleren:** Druk gedurende 2 seconden op de knop .

**OPMERKING:** Na het instellen, geeft het scherm afwisselend de huidige temperatuur en de tijd weer.

**OPMERKING:** De timerinstelling (het aantal uur dat de verwarmers AAN staat) kan worden ingesteld van 1 tot 48 uur. De instelling van de reserveertijd (het aantal uur VANAF NU wanneer de verwarmers begint te functioneren) kan worden ingesteld van 0 tot 99 uur. Als de timer ingesteld is op 0 uur, zal het verwarmingssysteem onmiddellijk activeren.

Merk op dat de timer één tijd per gebruik is - de gebruiker stelt de duur van de verwarmingscyclus in en het aantal uur vanaf nu dat de verwarmingscyclus begint. De timer herhaalt NIET maar moet opnieuw worden ingesteld.

### C Lay-Z-Massagesysteemknop



Gebruik deze knop voor het activeren van het massagesysteem dat een 30 minuten automatische uitschakelfunctie heeft. Het lampje boven de Lay-Z-Massagesysteemknop is rood wanneer geactiveerd.

**BELANGRIJK:** Zet het Lay-Z-Massagesysteem niet in werking wanneer de afdekking bevestigd is. Er kan zich dan lucht accumuleren binnenin de spa en die kan onherstelbare schade en lichamelijke schade veroorzaken.

**OPMERKING:** Het verwarmings- en massagesysteem werken samen om een warme massage-ervaring te creëren.



### D Schakelen tussen Celsius/Fahrenheit



De temperatuur kan ofwel in Fahrenheit ofwel in Celsius worden weergegeven.

### E Verwarmingsknop



Gebruik deze knop om het verwarmingssysteem te activeren. Wanneer het lampje boven de verwarmingsknop rood is, is het verwarmingssysteem geactiveerd. Wanneer het lampje groen is, is het water op de ingestelde temperatuur en is het verwarmingssysteem in rusttoestand.

**OPMERKING:** Als het verwarmingssysteem geactiveerd is, zal het filtratiesysteem automatisch starten.

**OPMERKING:** Nadat het verwarmingssysteem uitgeschakeld is, zal het filtratiesysteem blijven werken.

### F Waterfilterknop



Deze knop zet de filterpomp aan en uit. Het lampje boven de waterfilterknop is rood wanneer geactiveerd.

### G Temperatuurinstellingsknoppen



Drukken op de knoppen voor temperatuurophooging of -vermindering doen de LED knipperen. Wanneer deze knippen kunt u instellen op de gewenste temperatuurstelling. Als u deze knoppen ingedrukt houdt zullen de waarden snel verminderen of verhogen. De nieuwe en gewenste temperatuurstelling zal gedurende 3 seconden op het LED display blijven staan om de nieuwe waarde te bevestigen.

**OPMERKING:** De standaard temperatuur is 35°C (95°F).

**OPMERKING:** Het temperatuurinstellingsbereik gaat van 20°C(68°F) tot 40°C(104°F).

### H Aan/UIT-knop



Press this button for 2 seconds to activate the control panel buttons and the light turns to green. Press this button for 2 seconds to turn off all currently activated functions.

### I Power-Saving Timer LED



Het knipperen van deze LED betekent dat u de warmte instelt. Het licht zal ingeschakeld zijn wanneer de verwarmingsfunctie begint te werken.



Het knipperen van deze LED betekent dat u het aantal uren VANAF NU instelt wanneer de verwarming geactiveerd wordt. Wanneer het lampje brandt, is de stroombesparende timerfunctie ingesteld.

### J LCD-display



Wanneer ingeschakeld, geeft het LED automatische de huidige watertemperatuur weer.



Na een filterwerking van 72 uur (zonder gebruik van de energiebesparende timerfunctie), gaat de pomp naar slaaptoestand en knippert 'End' met de huidige watertemperatuur. Wanneer de pomp in slaaptoestand is, zijn de verwarmings- en waterfilterfuncties gedeactiveerd. Om de pomp te reactiveren, druk gedurende 3 seconden op de vergrendel/ontgrendelknop.

**OPMERKING:** Het waterverwarmingsvermogen kan wijzigen in de onderstaande omstandigheden:

• Wanneer de buitentemperatuur lager is dan 15°C (59°F).

• Als de afdekking niet in positie is wanneer de verwarmingsfunctie geactiveerd is.

**OPMERKING:** Om de huidige watertemperatuur weer te geven, laat het filtersysteem gedurende minstens een minuut werken. De watertemperatuur zoals gefest door een externe thermometer kan tot ongeveer 2°C afwijken van de temperatuur zoals weergegeven op het paneel van de spa.

## Alarmen

Orzaken	Redenen	Oplossingen
E01	De waterdebietsensoren werken zonder te drukken op de filter- of verwarmingsknop.	1. De waterdebietsensor-flags kwamen niet terug naar de correcte positie. 2. De waterdebietsensoren zijn kapot.
E02	Na het starten of tijdens de functies voor filteren en/of verwarmen detecteren de waterdebietsensoren geen waterdebiet.	1. U bent vergeten om de 2 stoppen uit de binnenkant van het bad te halen 2. De filtercassettes zijn vuil 3. Activeer het filter- of verwarmingssysteem en plaats uw hand voor de afvoerbuis in het zwembad om te voelen of u water weg voelt stromen a. Als er geen water uitstroomt is de waterpomp kapot b. Er stroomt water weg maar het alarm  versijnt, de waterdebietsensoren zijn kapot.
E03	De pompherometer toont een watertemperatuur van minder dan 4°C (40°F).	1. De watertemperatuur is lager dan 4°C (40°F). 2. Als de watertemperatuur hoger is dan 7°C (44,6°F), dan is de thermometer van de pomp kapot.
E04	De pompherometer toont een watertemperatuur van meer dan 50°C (122°F).	1. De watertemperatuur is hoger dan 50°C (122°F) 2. Als de watertemperatuur lager is dan 45°C (113°F), dan is de thermometer van de pomp kapot.
E05	Er zijn problemen met de aansluitingen van de pompherometer.	1. De connectors van de pompherometer werken niet correct 2. De pompherometer is kapot.
E08	De manuele reset thermische beveiliging heeft een probleem.	De manuele reset thermische beveiliging wordt uitgeschakeld.
		1. Koppel de pomp los van het stopcontact en druk op de reset-knop en plug de pomp terug in het stopcontact. 2. In het geval het alarm nog altijd aanwezig is, controleer de instructies betreffende de RESET-KNOP in de handleiding. 3. Neem contact op met uw lokale Bestway Dienst Naverkoop voor meer.



## ONDERHOUD

**OPMERKING: Uw spa vereist dat er van tijd tot tijd bijkomende lucht wordt toegevoegd. Temperatuurwijzigingen van dag tot nacht wijzigen de druk in de spa en kunnen een zekere mate van leeglopen veroorzaken. Volg de montagevoorschriften en laat het water uit de spa weglopen vooraleer u deze terug naar de benodigde druk opblaast.**

LET OP: U MOET ERVOOR ZORGEN DAT DE POMP LOSGEKOPPELD IS VAN HET STOPCONTACT VOOR U ONDERHOUD AAN DE SPA UITVOERT OM RISICO OP LETSEL OF OVERLUIDEN TE VERMIJDEN.

### Filtercassette-onderhoud

OPMERKING: Om ervoor te zorgen dat het water in uw spa proper blijft, controleer en reinig uw filtercassettes elke dag volgens de onderstaande stappen.

OPMERKING: We bevelen aan uw filtercassettes elke week te vervangen, of als de filtercassettes vuil en verkleurd blijven, moeten ze ook worden vervangen.



### Wateronderhoud

Het is nodig om het water van uw Spa proper en chemisch in evenwicht te houden. Alleen de filtercassette reinigen is niet voldoende voor correct onderhoud, we bevelen aan dat u zwembadchemicaliën gebruikt om de waterchemie te behouden en chloor of bromiumtabletten (geen korrels gebruiken) met de chemische floater.

Als een richtlijn zou het water ongeveer elke 3 dagen vervangen moeten worden. Dit is enkel een richtlijn, de waterkwaliteit is beïnvloed door de gebruiksfrequentie, de personen die de spa gebruiken en het algemeen onderhoud.

**Opmerking:** We bevelen aan dat u een douche neemt voor u de Lay-Z-Spa gebruikt gezien cosmetica, lotions en andere residu's op de huid de waterkwaliteit snel kunnen doen afnemen. Om de chemische floater te gebruiken, volg de onderstaande instructies.

Chemische tabletten gebruiken (niet inbegrepen):



Chemische vloeistof gebruiken (niet inbegrepen):



**OPMERKING:** Verwijder de chemische floater uit de spa wanneer de spa in gebruik is. **BELANGRIJK:** Na het uitvoeren van chemisch onderhoud en voor het gebruik van de spa, gebruik een testkit (niet inbegrepen) om de waterchemie te testen. We bevelen aan het water te behouden zoals in de onderstaande tabel.

pH	Totale alkaliteit	Vrij chloor
7,4-7,6	80-120 ppm	2-4 ppm

**OPMERKING:** Schade tengevolge van chemische onevenwichtigheid is niet gedekt door de garantie. Zwembadchemicaliën zijn potentieel giftig en moeten met zorg gehanteerd worden. Er zijn ernstige gezondheidsrisico's van chemische dampen die het incorrecte labelen en bewaren van chemische containers. Consulteer uw plaatselijke zwembadleverancier voor meer informatie over chemisch onderhoud. Volg nauwgezet de instructies van de fabrikant van de chemicaliën. Schade aan de spa tengevolge van het verkeerd gebruik van chemicaliën en verkeerd beheer van het water in de spa, is niet gedekt door de garantie.

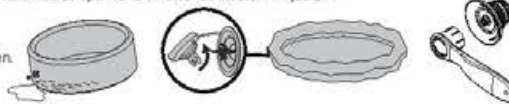
### Afregeling van luchtklep (Alleen voor #54113, #54129, #54154 en #54156)

In het geval van luchtlekken, controleer eerst de luchtklep. Bedek met behulp van zeepwater de luchtklep om te controleren of er lucht lekt. Indien dit het geval is, gebruik de bijgeleverde sleutel om de luchtklep vastler te zetten volgens de volgende stappen:

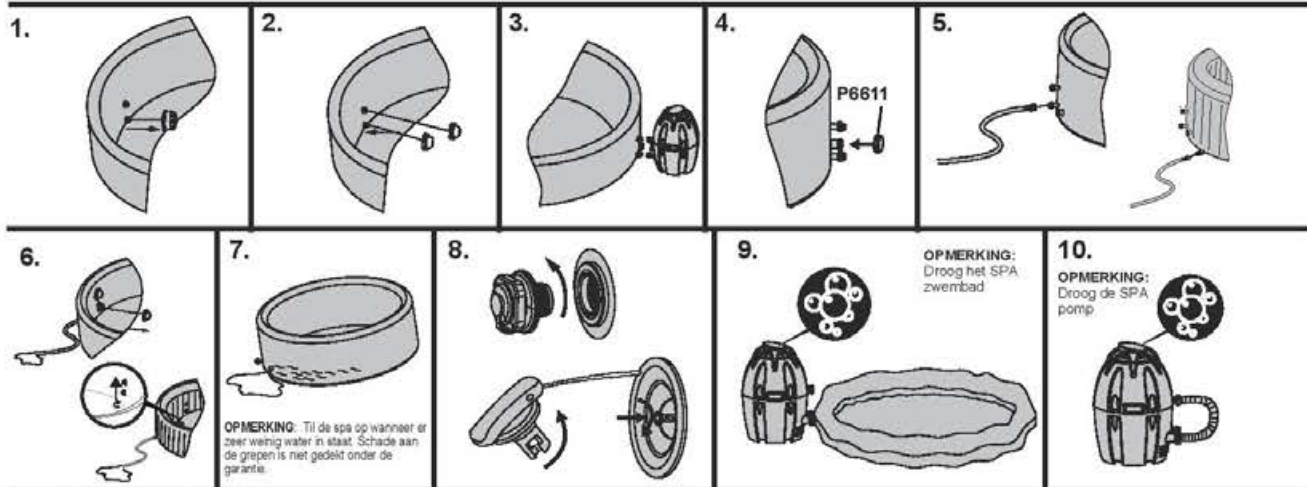
• Met één hand, houd de achterkant van de luchtklep van de binnenkant van de spa-wand en draai de sleutel in wijzerzin.

### OPMERKING:

1. Niet te slegig aandraaien.
2. Controleer de luchtklep altijd zorgvuldig vooraleer ze te gebruiken.
3. Stel de luchtklep niet af wanneer de spa in gebruik is.



## De Spa Legen



**Reinigen van de spa** Residu van detergents en opgeloste vaste stoffen van badkleed en chemicaliën kunnen zich vastzetten op de wanden van de spa. Gebruik zeep en water om de wanden te reinigen en grondig te spoelen.

**OPMERKING:** Gebruik GEEN harde borstels of schurende reinigingsmiddelen.

### Spa reparatie

Voor Spa #54112, #54123, #54148 (Opblaasbare afdekking niet inbegrepen).

Als de spa gescheurd of doorboord is, gebruik de bijgeleverde reparatiepatch.

1. Reinig het te repareren gebied.
2. Plak de patch zorgvuldig.
3. Druk de patch op het te repareren gebied.
4. Wacht 30 seconden voor wordt opgeblazen.

Voor Spa #54113, #54129, #54154, #54156 (Opblaasbare afdekking niet inbegrepen)

Als de spa gescheurd of doorboord is, gebruik de bijgeleverde reparatiepatch in PVC en lijm en volg hierbij de volgende stappen:

1. Reinig en droog het te repareren gebied.
2. Snijd de bijgeleverd PVC-patch op de juiste maat.
3. Gebruik de lijm (niet inbegrepen) om één kant van de net gesneden patch in te lijmen. Zorg ervoor dat de lijm gelijkmatig verspreid is.
4. Wacht 30 seconden en plaats dan de gesneden patch met lijm over het beschadigde gedeelte.
5. Zorg ervoor dat er zich geen luchtballen bevinden onder de patch en druk slegig gedurende twee minuten aan.
6. Het product is nu opnieuw klaar voor gebruik. Herhaal het proces als er opnieuw lekken optreden.
7. Wacht 30 minuten voor wordt opgeblazen.

## Opslag van Lay-Z-Spa

Zorg ervoor dat de spa en pomp volledig droog zijn. Dit is essentieel om de levensduur van de spa te verlengen. We bevelen aan om de pomp te gebruiken om de spa, pomp en leidingen droog te blazen. Verwijder de filtersets en gooi de gebruikte filtercassettes weg. Plaats de twee stopper-doppen terug op de inlaat- en uitlaatkleppen. Het is aanbevolen dat u de spa opbergt in de originele verpakking en op een warme droge plaats.

**OPMERKING:** Plastic wordt broos en onderhevig aan breken wanneer blootgesteld aan temperaturen onder nul. Vriezen kan de spa ernstig beschadigen. Het incorrect klaarmaken voor de winter van uw spa kan uw garantie ongeldig maken.

### Weggoien



Betekenis van doorkruiste vuilbaksymbool: Elektrische toestellen niet weggoien als ongesorteerd stedelijk afval, gebruik gescheiden afvalinzameling. Neem contact op met uw plaatselijke overheid voor informatie betreffende de beschikbare inzamelingsystemen. Als elektrische toestellen op stortplaatsen worden gestort, kunnen gevaarlijke stoffen in het grondwater lekken en in de voedselketen terecht komen en zo uw gezondheid en welzijn schaden. Wanneer oude toestellen door nieuwe vervangen worden, is de detailhandelaar wettelijk verplicht uw oud toestel gratis terug te nemen voor verwijdering.

**PROBLEEMOPLOSSING** Bestway streeft ernaar de meest probleemloze spa's op de markt te brengen. Als u enige problemen ondervindt, aarzel dan niet om contact op te nemen met Bestway of met uw geautoriseerde dealer. Hier zijn enkele nuttige tips om u te helpen enkele vaak voorkomende oorzaken van problemen te identificeren en op te lossen.

Problemen	Mogelijke oorzaken	Oplossingen
Pomp werkt niet	<ul style="list-style-type: none"> <li>- Stroomstoring</li> <li>- Stroomkring is verbroken</li> </ul>	<ul style="list-style-type: none"> <li>- Controleer de stroombron</li> <li>- Neem contact op met uw lokale Bestway Dienst Naverkoop voor meer instructies.</li> </ul>
Pomp warmt niet correct op	<ul style="list-style-type: none"> <li>- Temperatuur is te laag ingesteld</li> <li>- Vuile filtercassette</li> <li>- De thermische beveiliging wordt onderbroken.</li> <li>- De spa is niet afgedekt</li> <li>- Het verwarmingselement werkt niet of zekering springt af</li> </ul>	<ul style="list-style-type: none"> <li>- Stel in op een hogere temperatuur, zie het deel pompwerking</li> <li>- Reinig/Vervang de filtercassette, raadpleeg het deel reinigen en vervangen van filtercassette</li> <li>- Haal de stekker van de pomp uit het stopcontact op een droge, koele plaats. Herstart de pomp alleen wanneer de watertemperatuur 35°C (95°F) of minder is.</li> <li>- Bevestig de afdekking.</li> <li>- Neem contact op met uw lokale Bestway Dienst Naverkoop voor meer instructies</li> </ul>
Lay-Z-Massagesysteem werkt niet	<ul style="list-style-type: none"> <li>- De luchtpomp is oververhit</li> <li>- De Lay-Z-Spa Massage stopt automatisch</li> <li>- Luchtpomp is kapot</li> </ul>	<ul style="list-style-type: none"> <li>- Koppel de pomp los en wacht twee uur tot de pomp afgekoeld is. Plaats de plug en druk op de Lay-Z-Massagesysteem-knop</li> <li>- Druk op de Lay-Z-Massagesysteem-knop om te reactiveren</li> <li>- Neem contact op met uw lokale Bestway Dienst Naverkoop voor meer instructies.</li> </ul>
De pompadapters zijn niet gelijk met de spa adapters	<ul style="list-style-type: none"> <li>- Eén eigenschap van PVC is dat het van vorm verandert, wat normaal is</li> </ul>	<ul style="list-style-type: none"> <li>- Verhoog de pomp met hout of een ander type geïsoleerd materiaal om de pompadapters gelijk te brengen met de spa-adapters</li> </ul>
Spazwembad-lekken	<ul style="list-style-type: none"> <li>- De Spa is gescheurd of doorboord</li> <li>- Luchtklep is los</li> </ul>	<ul style="list-style-type: none"> <li>- Gebruik de bijgeleverde reparatiepatch</li> <li>- Bedek met behulp van zeepwater de luchtklep om te controleren of er lucht lekt. Indien dit het geval is, gebruik de bijgeleverde sleutel om de luchtklep vast te zetten volgens de volgende stappen: <ol style="list-style-type: none"> <li>1. Laat de lucht uit de SPA lopen.</li> <li>2. Met één hand, houd de achterkant van de luchtklep van de binnenkant van de spa-wand en draai de sleutel in wijzerzin.</li> </ol> </li> </ul>
Het water is niet proper	<ul style="list-style-type: none"> <li>- Onvoldoende filtertijd</li> <li>- Vuile filtercassette</li> <li>- Incorrect wateronderhoud</li> </ul>	<ul style="list-style-type: none"> <li>- Verhoog de filtratietijd</li> <li>- Reinig/Vervang de filtercassette (raadpleeg het deel reinigen en vervangen van filtercassette)</li> <li>- Raadpleeg de instructies van de fabrikant van de chemicaliën.</li> </ul>
PRCD test mislukt	Er is een probleem met de SPA	Neem contact op met uw lokale Bestway Dienst Naverkoop en retourneer de SPA.
Het bedieningspaneel werkt niet	<ul style="list-style-type: none"> <li>- Het bedieningspaneel heeft een automatische vergrendelingsfunctie die geactiveerd wordt na 5 minuten van inactiviteit. Het LED-display heeft één pictogram:  Als het vergrendelingspictogram gemarkeerd is, is het bedieningspaneel vergrendeld.</li> </ul>	<ul style="list-style-type: none"> <li>- Om het bedieningspaneel te ontgrendelen, druk gedurende 3 seconden op de knop  Ontgrendelt het regelpaneel niet, start de pomp dan opnieuw – haal de stekker van de pomp uit het stopcontact en steek ze er weer in.</li> <li>- Druk gedurende 2 seconden op de knop aan/uit</li> <li>- Als het probleem aanhoudt, neem contact op met uw lokale Bestway Dienst Naverkoop voor instructies.</li> </ul>
Welke chemicaliën gebruik ik voor het onderhoud van het water?	Raadpleeg uw plaatselijke chemicaliënleverancier voor informatie over chemisch onderhoud. Neem de instructies van de chemicaliënfabrikant goed in acht.	
Waterlekkage van de adapters tussen de pomp en de spa	Plaats doppen op de poorten van de spa om te voorkomen dat er water vrijkomt en koppel de pomp los. Controleer of de afdichtingen juist in de pompadapters zijn geplaatst. Als de afsluitingen ontbreken of niet correct geïnstalleerd zijn, neem contact op met uw lokale Bestway Dienst Naverkoop voor instructies. Sluit de pomp opnieuw aan op de spa als de afdichtingen op hun plaats zitten en draai de adapters met de hand vast.	

# Beperkte BESTWAY® Fabrieksgarantie

Het product dat u hebt aangekocht heeft een beperkte garantie. Bestway® steunt onze kwaliteitsgarantie en verzekert, via een vervangingsgarantie, dat uw product vrij zal zijn van fabricagefouten.

Om een garantieclaim in te dienen, moet dit formulier ingevuld worden en samen met een kopie van uw ontvangstbewijs/aankoopbewijs bezorgd worden aan uw lokale Bestway Dienst Naverkoop. Neem contact op met uw lokale Bestway Dienst Naverkoop vooraleer enige documenten te zenden. Zij zullen volledige instructies geven betreffende wat nodig is voor uw claim. Bestway® zal geen producten vervangen die geacht worden beschadigd te zijn omwille van nalatigheid of die gebruikt werden buiten de richtlijnen in de gebruikershandleiding.

De garantie van Bestway dekt fabricagefouten ontdekt terwijl het product uitgepakt werd of tijdens gebruik zoals aanbevolen in de gebruikershandleiding. Deze garantie is enkel van toepassing op producten die niet gewijzigd mogen zijn door enige derde. Het product moet opgeborgen en gehanteerd worden overeenkomstig de technische aanbevelingen.

Deze garantie dekt geen schade veroorzaakt door verkeerd gebruik, misbruik, verzuim, inclusief maar niet beperkt tot botsing, brand, gebruik van incorrecte spanning, buitensporige blootstelling aan hitte, incorrecte installatie, incorrecte bedrading of testen, incorrecte opberging, Vervangingen en reparaties verlengen de duur van de garantie niet. De startdatum van de garantie is de datum van de verkoop weergegeven op het originele ontvangstbewijs/aankoopfactuur.

Kies uw SPA



AAN: Bestway® Service Department

Datum van aankoop: \_\_\_\_\_

DATUM: \_\_\_\_\_

Klantencodenummer: \_\_\_\_\_

FAX/E-MAIL/TEL: Raadpleeg uw land volgens de informatie op de achteromslag of op onze website: [www.bestwaycorp.com](http://www.bestwaycorp.com)

Geef uw volledig adres op. **Opmerking:** Onvolledige adressen resulteren in vertraagde verzendingen.

Bestway behoudt zich het recht voor om onafgeleverde pakketten terug te leveren wanneer de ontvanger in fout is.

## VEREISTE INFORMATIE - NOTEER HET VERZENDADRES

Naam: \_\_\_\_\_ Adres: \_\_\_\_\_

Postcode: \_\_\_\_\_ Detailhandelaar: \_\_\_\_\_

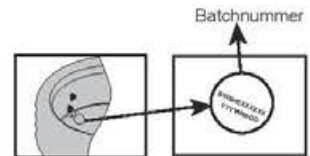
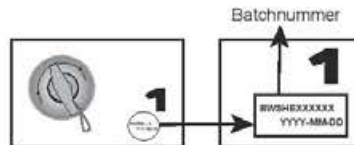
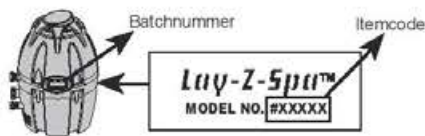
Land: \_\_\_\_\_ Stad: \_\_\_\_\_

GSM: \_\_\_\_\_ Telefoon: \_\_\_\_\_

Fax: \_\_\_\_\_ E-mail: \_\_\_\_\_

SPA POMP Batchnummer: \_\_\_\_\_ SPA Zwembad Batchnummer: \_\_\_\_\_

SPA POMP Itemcode: \_\_\_\_\_



LAY-Z-SPA Vegas / Paris

Tekeningen enkel voor illustratiedoeleinden. Niet op schaal.

### Beschrijving van het probleem

- Spa lek
- Waterfiltratiesysteem werkt niet
- Verwarmingssysteem werkt niet
- Bedieningspaneel geeft een defect aan dat niet kan worden opgelost
- Lay-Z-Massagesysteem werkt niet
- Pomp leekt
- Adapter lekt
- Ontbrekende delen - Gebruik de code voor het ontbrekende deel, u vindt deze in de gebruikershandleiding.
- Andere (omschrijven aub)

**BELANGRIJK: ALLEEN HET BESCHADIGDE ONDERDEEL ZAL VERVANGEN WORDEN, NIET DE VOLLEDIGE SET.**

Bestway behoudt zich het recht voor om fotografische bewijzen van defecte onderdelen te vragen of om het item te verzenden voor extra testen.

Om u het beste te kunnen helpen vragen we u om complete informatie te bezorgen.

VOOR FAQ, HANDLEIDINGEN, VIDEO'S OF RESERVEONDERDELEN, GA NAAR ONZE WEBSITE [www.bestwaycorp.com](http://www.bestwaycorp.com)  
VIDEO'S ZIJN OOK BESCHIKBAAR OP ONS BESTWAY CHANNEL OP YOUTUBE: [www.youtube.com/user/BestwayService](http://www.youtube.com/user/BestwayService)

# CONTENUTO

Visita il canale Bestway su YouTube

<b>1. Istruzioni per la sicurezza</b> .....	P92	<b>5. Manutenzione</b> .....	P104
<b>2. Specifiche</b> .....	P95	Manutenzione della cartuccia del filtro	
<b>3. Installazione</b> .....	P98	Manutenzione dell'acqua	
Area selezionata		Regolazione della valvola dell'aria	
Test pompa		Svuotamento della piscina	
<b>4. Funzionamento della pompa ...</b>	P103	Pulizia della piscina	
Reset del riscaldamento		Riparazione della piscina	
Pannello di controllo		Stoccaggio Lay-Z-Spa	
Allarmi		Smaltimento	
		<b>6. Risoluzione dei problemi ..</b>	P105
		<b>7. Garanzia</b> .....	P106



## ISTRUZIONI PER LA SICUREZZA

Durante l'installazione e l'uso dell'apparecchiatura elettrica, attenersi sempre alle precauzioni di sicurezza basilari di seguito indicate:

**ISTRUZIONI IMPORTANTI PER LA SICUREZZA: LEGGERE E ATTENERSI RIGIDAMENTE A TUTTE LE ISTRUZIONI.**

### AVVERTENZE

- La piscina deve essere alimentata da un trasformatore di isolamento o tramite un interruttore differenziale con corrente residua nominale non superiore a 30 mA.
- Prima di ogni utilizzo, la pompa deve essere controllata attenendosi alle relative istruzioni.
- Se il cavo di alimentazione è danneggiato, deve essere sostituito dal produttore, dal centro di assistenza o da un tecnico qualificato al fine di evitare situazioni pericolose.
- Per ridurre il rischio di scosse elettriche, non adoperare prolunghe per collegare l'unità all'alimentazione elettrica; utilizzare una presa con una collocazione adeguata.
- Nessuna parte dell'apparecchio deve essere posizionata sopra la vasca durante l'uso.
- I componenti contenenti parti in tensione, tranne quelli con tensione particolarmente bassa non superiore a 12 V, devono essere inaccessibili alle persone che si trovano nella piscina. Le parti contenenti componenti elettrici, ad eccezione dei dispositivi di controllo remoto, devono essere collocate o fissate in modo che non possano mai cadere nella piscina.
- La piscina deve essere alimentata da una fonte di corrente collegata a terra.
- **Avvertenza: tenere sempre la spina asciutta, vietato utilizzare una spina bagnata!**
- Dopo l'installazione della piscina, la spina deve essere facilmente accessibile.
- **ATTENZIONE:** per evitare il pericolo dovuto al reset accidentale dell'interruttore termico, l'apparecchiatura non deve essere alimentata tramite un dispositivo di commutazione esterno, ad esempio un timer, o collegata a un circuito regolarmente attivato e disattivato dall'azienda di servizi. Dopo 3-5 anni di utilizzo della piscina, contattare un tecnico della manutenzione qualificato per controllare la sicurezza e il rendimento. I componenti principali, come l'elemento riscaldante, il motore del soffiatore e le valvole di non ritorno all'interno dell'unità elettrica, devono essere controllati e sostituiti (se necessario) da professionisti.
- **PER EVITARE SCOSSE ELETTRICHE, NON UTILIZZARE LA PISCINA NEI GIORNI DI PIOGGIA.**
- Non indossare mai le lenti a contatto quando si è in piscina.
- Non utilizzare mai la piscina durante la manutenzione chimica.
- La fonte di alimentazione a parete deve trovarsi a una distanza dalla piscina di almeno 4 m e a un'altezza di almeno 1,2 metri.
- Non adoperare prolunghe.
- Non collegare o scollegare l'apparecchiatura con le mani bagnate.
- Scollegare sempre l'apparecchiatura nelle seguenti situazioni:
  - nelle giornate di pioggia
  - prima delle operazioni di pulizia o manutenzione
  - se lasciata incustodita durante le vacanze
- La pulizia e manutenzione devono essere eseguite da un adulto maggiorenne e totalmente consapevole del pericolo di scosse elettriche.
- Se il prodotto non viene utilizzato per lunghi periodi, ad esempio in inverno, la piscina deve essere smontata e conservata al chiuso.
- **Attenzione:** leggere sempre le istruzioni prima di utilizzare l'apparecchiatura e prima di procedere con l'installazione e le operazioni di montaggio/smontaggio.
- Conservare le istruzioni in un luogo sicuro. Nel caso in cui le istruzioni vengano perdute, rivolgersi a Bestway o cercarle sul sito Web [www.bestwaycorp.com](http://www.bestwaycorp.com)

- **Avvertenza: per motivi di sicurezza elettrica, il prodotto include un interruttore differenziale nel cavo di alimentazione; se la corrente di dispersione supera 10 mA, il dispositivo entra in azione e interrompe l'alimentazione; in tal caso, scollegare e smettere immediatamente di utilizzare il prodotto. Non procedere da soli al reset del prodotto. Contattare il centro di assistenza locale per controllare e riparare il prodotto.**
- Questa apparecchiatura può essere utilizzata da bambini di età superiore a 8 anni e da persone con problemi fisici, sensoriali o mentali, o prive di esperienza solo sotto sorveglianza o fornendo loro le istruzioni sull'uso sicuro e consapevole dei rischi. Impedire ai bambini di giocare con l'apparecchiatura. Le operazioni di pulizia e manutenzione non devono essere effettuate dai bambini senza la supervisione di un adulto. (Per il mercato dell'Unione europea)  
Questa apparecchiatura non è progettata per essere utilizzata da persone (bambini inclusi) con ridotte funzionalità fisiche, sensoriali o mentali o da persone inesperte, a meno che non vengano controllate o che una persona responsabile della loro sicurezza non abbia spiegato loro il funzionamento dell'apparecchiatura. I bambini devono essere controllati per evitare che giochino con l'apparecchiatura. (Per un mercato diverso dall'Unione europea)
- I bambini sono attratti dall'acqua; coprire la piscina dopo ogni utilizzo.
- Non sotterrare il cavo. Tenere bene in vista il cavo per ridurre il rischio che venga tranciato da falciatrici, tosasiepi e altre apparecchiature.
- Rischio di annegamento accidentale. Attuare tutte le misure necessarie per impedire ai bambini di utilizzare l'apparecchiatura senza autorizzazione. Per evitare incidenti, accertarsi che i bambini non possano utilizzare la piscina senza una sorveglianza costante.
- **RISCHIO DI LESIONI.** Non utilizzare mai la piscina nel caso in cui i tubi di ingresso/scarico siano danneggiati o mancanti. Non tentare mai di sostituire i tubi di ingresso/scarico. Consultare sempre il centro di assistenza post-vendita locale.
- **RISCHIO DI SCOSSE ELETTRICHE.** Installare l'apparecchiatura ad almeno 2 metri di distanza da eventuali superfici metalliche.
- **RISCHIO DI SCOSSE ELETTRICHE.** Non mettere mai in funzione un'apparecchiatura elettrica quando si è in piscina o con il corpo bagnato. Non collocare mai un apparecchio elettrico, come una luce, un telefono, una radio o una televisione a meno di 2 m di distanza dalla piscina.
- Durante la gravidanza, immergersi in acqua molto calda può causare danni al feto. Limitare l'uso a 10 minuti alla volta.
- **PER RIDURRE IL RISCHIO DI LESIONI:**
  - A. La temperatura dell'acqua della piscina non deve mai superare i 40°C (104 °F). Una temperatura compresa tra 38°C (100 °F) e 40°C (104 °F) è considerata sicura per un adulto in buona salute. Temperature più basse sono consigliate per bambini piccoli e quando si supera il limite di utilizzo della piscina di 10 minuti.
  - B. Poiché temperature eccessive dell'acqua, hanno un alto potenziale di causare danni al feto durante i primi mesi di gravidanza, il limite di temperatura dell'acqua per donne in gravidanza o in possibile stato di gravidanza dovrebbe essere di 38 °C (100 °F).
  - C. Prima di entrare nella piscina, si raccomanda di misurare la temperatura dell'acqua con un termometro accurato poiché la tolleranza del dispositivo di regolazione della temperatura dell'acqua varia.
  - D. L'uso di alcool, droghe o medicinali prima o durante l'uso della piscina può causare perdita di conoscenza, con la possibilità di annegamento.
  - E. Persone obese e persone che soffrono di patologie cardiache, pressione del sangue bassa o alta, problemi del sistema circolatorio o diabete devono consultare un medico prima di utilizzare la piscina.
  - F. Le persone che fanno uso di farmaci devono consultare un medico prima dell'utilizzo della piscina poiché alcuni farmaci possono indurre sonnolenza, mentre altri possono influenzare la frequenza cardiaca, la pressione sanguigna, e la circolazione.
- **PER RIDURRE IL RISCHIO DI LESIONI:** Non versare mai acqua con una temperatura superiore a 40 °C (104 °F) direttamente nella piscina.
- L'uso di alcool, droghe o medicinali può aumentare notevolmente il rischio di ipertermia fatale. L'ipertermia si verifica quando la temperatura interna del corpo raggiunge un livello di parecchi gradi superiore alla normale temperatura corporea di 37 °C (98,6 °F). I sintomi dell'ipertermia comprendono un aumento della temperatura interna del corpo, vertigini, letargia, sonnolenza, e svenimenti. Gli effetti dell'ipertermia includono impossibilità di percepire il calore; mancato riconoscimento della necessità di uscire dalla piscina o dalla vasca a idromassaggio; inconsapevolezza del pericolo imminente; danni al feto nelle donne in gravidanza; incapacità fisica di uscire dalla piscina o dalla vasca a idromassaggio e incoscienza con conseguente pericolo di annegare.

- Gli impianti elettrici devono rispettare le norme nazionali di cablaggio, consultare un elettricista qualificato per qualsiasi domanda.

### CONSULTARE IL PROPRIO MEDICO PER LE RACCOMANDAZIONI.

#### ATTENZIONE:

- La piscina non deve essere installata o lasciata all'aperto a una temperatura di 4 °C (40 °F).
- Non utilizzare la piscina quando si è soli.
- Le persone che soffrono di malattie infettive non devono usare la piscina.
- Non utilizzare la piscina immediatamente dopo un esercizio fisico intenso.
- Entrare sempre in piscina lentamente e con attenzione. Le superfici bagnate sono scivolose.
- Per evitare danni alla pompa, la piscina deve essere utilizzata solo dopo essere stata riempita d'acqua.
- Uscire immediatamente dalla piscina se ci si sente a disagio o assonnati.
- Non aggiungere mai acqua ai prodotti chimici. Aggiungere sempre i prodotti chimici all'acqua per evitare forti fumi o reazioni violente che potrebbero provocare spruzzi chimici pericolosi.
- Per le informazioni relative alla pulizia, manutenzione e smaltimento dell'acqua, consultare la sezione "MANUTENZIONE".
- Per le informazioni relative all'installazione, fare riferimento al seguente paragrafo del manuale.

#### NOTA:

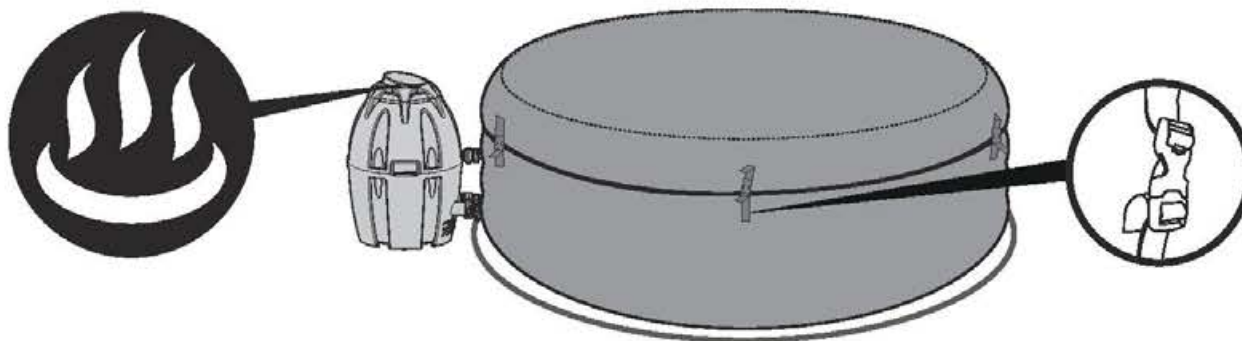
- Ispezionare attentamente l'apparecchiatura prima dell'uso. Eventuali danni o componenti mancanti devono essere segnalati al momento dell'acquisto all'assistenza clienti Bestway, i cui recapiti sono indicati nel presente manuale. Accertarsi che i componenti dell'apparecchiatura corrispondano ai modelli che si intendevano acquistare.
- Questo prodotto non è destinato a utilizzi commerciali.

## CONSERVARE QUESTE ISTRUZIONI

### IMPORTANTE!

Per raggiungere 40 °C (104 °F), la durata del riscaldamento necessaria dipende dalla temperatura dell'acqua di partenza e dalla temperatura dell'ambiente, i dati qui di seguito sono puramente indicativi. Per visualizzare la temperatura dell'acqua, mettere in funzione il sistema filtrante per almeno un minuto.

Temperatura ambiente	Temperatura dell'acqua	Temperatura impostata	Durata del riscaldamento
10°C(50°F)	10°C(50°F)	40°C(104°F)	18.5h
15°C(59°F)	15°C(59°F)	40°C(104°F)	15h
20°C(68°F)	20°C(68°F)	40°C(104°F)	11.5h
25°C(77°F)	25°C(77°F)	40°C(104°F)	8.5h
30°C(86°F)	30°C(86°F)	40°C(104°F)	5.5h

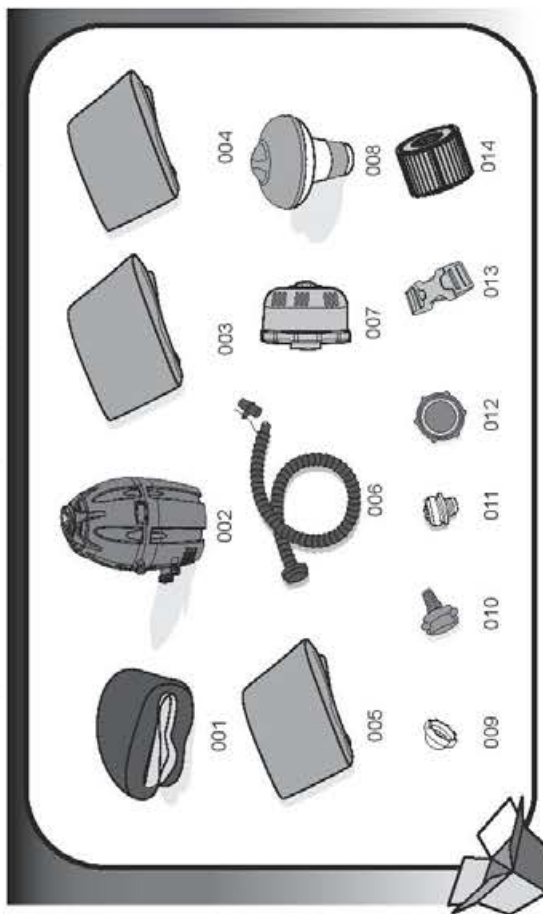


Assicurarsi di coprire la piscina con la copertura ogni volta che viene attivata la funzione di riscaldamento. Lasciando la piscina scoperta aumenterà la durata del riscaldamento necessaria. Non utilizzare la piscina quando la temperatura ambiente è inferiore a 4 °C (39 °F).

## SPECIFICHE PER LAY-Z-SPA™ VEGAS AirJet (N. 54112)

Capacità:	4-5 adulti	Soffiatore turbo per massaggi:	800W	Velocità di aumento Circa della temperatura:	1,5-2°C/h (3-4°F/h)
Capacità acqua (80%):	935 L (247 gal)	Elemento riscaldante:	2.000W a 20°C	Flusso d'acqua effettivo:	1.325 L/h (350 gal/h)
Dimensioni da gonfia:	1,96m x 61cm (77" x 24")	Pompa:	pompa filtrante di circolazione 50 W	Potenza alimentazione:	220-240V AC, 2.050W a 20°C
Peso riempita:	966 kg (2.130 Lb)	Capacità di temperatura:	40°C (104°F)	Pressione di esercizio:	0,8PSI (0,055Bar)

**NOTA:** la velocità di riscaldamento indicata sopra si basa su un test di laboratorio condotto a una temperatura ambiente uguale o superiore a 25 °C (77° F).



N.	Codice componente	Descrizione	QTA
001	54112TASS15	Rivestimento della piscina	1
002	P4H054ASS17	Riscaldatore per piscine	1
003	P5H284GASS17	Copertura superiore in similpelle	1
004	P5H284TASS17	Copertura in similpelle di rivestimento	1
005	54112GASS15	Copertura gonfiabile	1
006	P6931	Tubo di gonfiaggio	1
007	P6653	Filtro	1
008	58426S17	Galleggiante chimico	1
009	P6575	Tappi	2
010	P6932	Adattatore tubo	1
011	F4A024ASS	Valvola a vite	1
012	P6611	Adattatore coperchio A	1
013	F6414ASS	Fibbia	8
014	58323	Cartuccia filtro (VI)	2

## SPECIFICHE PER LAY-Z-SPA™ MONACO AirJet (N. 54113)

Capacità:	6-8 adulti	Soffiatore turbo per massaggi:	800W	Velocità di aumento Circa della temperatura:	1,0-1,5°C/h (2-3°F/h)
Capacità acqua (80%):	1.463 L (384 gal.)	Elemento riscaldante:	2.000W a 20°C	Flusso d'acqua effettivo:	1.325 L/h (350 gal/h)
Dimensioni da gonfia:	2,01m x 69cm (79" x 27")	Pompa:	pompa filtrante di circolazione 50 W	Potenza alimentazione:	220-240V AC, 2.050W a 20°C
Peso riempita:	1.490 kg (3.284 Lb)	Capacità di temperatura:	40°C (104°F)	Pressione di esercizio:	7PSI-10PSI (0,48Bar-0,69Bar)

**NOTA:** la velocità di riscaldamento indicata sopra si basa su un test di laboratorio condotto a una temperatura ambiente uguale o superiore a 25 °C (77° F).

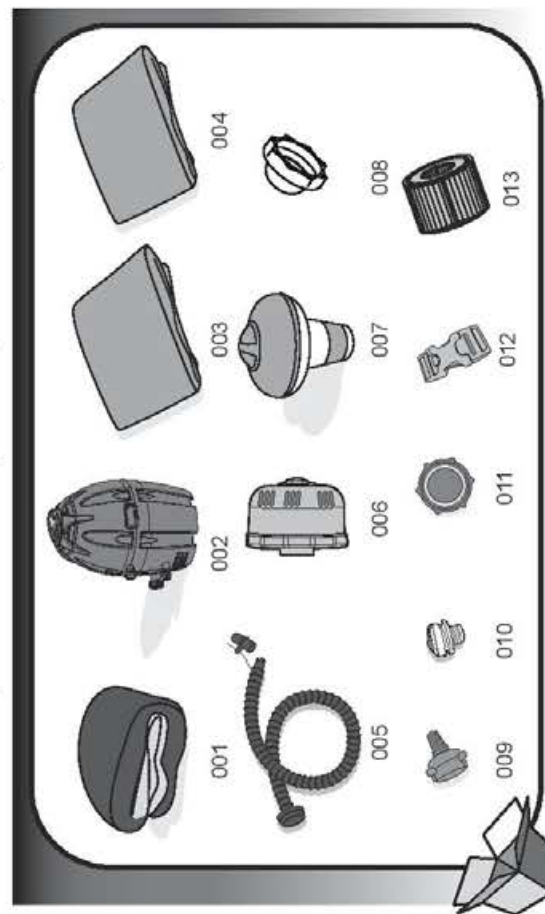


N.	Codice componente	Descrizione	QTA
001	54113TASS17	Rivestimento della piscina	1
002	P4D148ASS17	Riscaldatore per piscine	1
003	P5D288ASS17	Copertura superiore in similpelle	1
004	54113GASS17	Copertura gonfiabile	1
005	P6931	Tubo di gonfiaggio	1
006	P6653	Filtro	1
007	58426S17	Galleggiante chimico	1
008	P3054Q17	Pompa a mano ad alta pressione	1
009	F6H189ASS15	Chiave	1
010	P6675	Tappi	2
011	P6932	Adattatore tubo	1
012	P6608	Manometro	1
013	P6611	Adattatore coperchio A	1
014	12632ASS15	Cuscini gonfiati	4
015	P6H-971	Valvola di gonfiaggio	1
016	F6414ASS	Fibbia	6
017	58323	Cartuccia filtro (VI)	2

### SPECIFICHE PER LAY-Z-SPA™ MIAMI AirJet (N. 54123)

Capacità:	2-4 adulti:	Soffiatore turbo per massaggi:	800W	Velocità di aumento della temperatura:	Circa 1,5-2°C/h (3-4°F/h)
Capacità acqua (80%):	669 L (177 gal)	Elemento riscaldante:	2.000W a 20°C	Flusso d'acqua effettivo:	1.325 L/h (350 gal/h)
Dimensioni da gonfiare:	1,80m x 66cm (7'1" x 26")	Pompa:	pompa filtrante di circolazione 50 W	Potenza alimentazione:	220-240V AC, 2.050W a 20°C
Peso riempita:	696 kg (1.534 Lb)	Capacità di temperatura:	40°C (104°F)	Pressione di esercizio:	0,8PSI (0,055Bar)

**NOTA:** la velocità di riscaldamento indicata sopra si basa su un test di laboratorio condotto a una temperatura ambiente uguale o superiore a 25 °C (77° F).

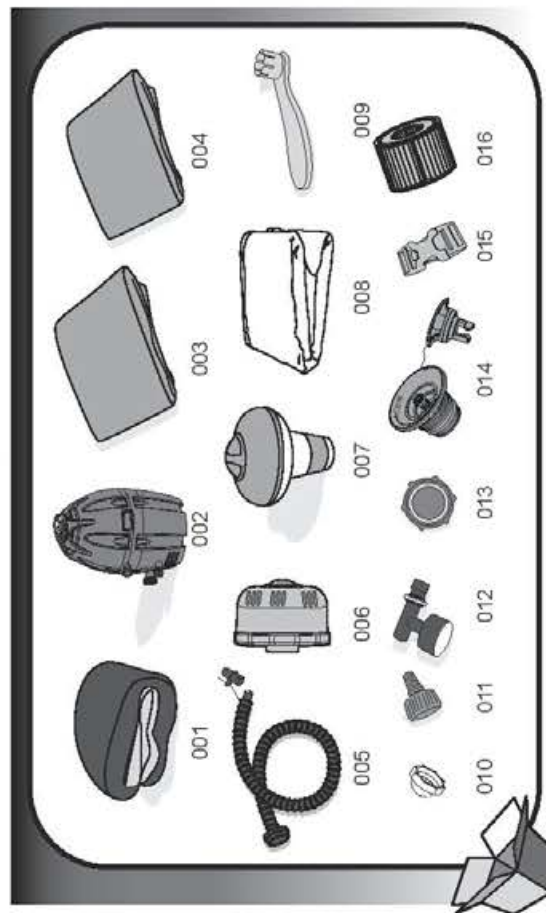


N.	Codice componente	Descrizione	QTA
001	54123TASS17	Rivestimento della piscina	1
002	P4H054ASS17	Riscaldatore per piscine	1
003	P5C364ASS17	Coperchio di rinforzo superiore	1
004	54123GASS17	Copertura gonfiabile	1
005	P6931	Tubo di gonfiaggio	1
006	P6653	Filtro	1
007	58426S17	Galleggiante chimico	1
008	P6575	Tappi	2
009	P6932	Adattatore tubo	1
010	F4024ASS	Valvola a vite	1
011	P6611	Adattatore coperchio A	1
012	F6414ASS	Fibbia	6
013	58323	Cartuccia filtro (VI)	2

### SPECIFICHE PER LAY-Z-SPA™ PALM SPRINGS AirJet (N. 54129)

Capacità:	4-6 adulti:	Soffiatore turbo per massaggi:	800W	Velocità di aumento della temperatura:	Circa 1,5-2°C/h (3-4°F/h)
Capacità acqua (80%):	916 L (242 gal)	Elemento riscaldante:	2.000W a 20°C	Flusso d'acqua effettivo:	1.325 L/h (350 gal/h)
Dimensioni da gonfiare:	1,96m x 71cm (77" x 28")	Pompa:	pompa filtrante di circolazione 50 W	Potenza alimentazione:	220-240V AC, 2.050W a 20°C
Peso riempita:	954 kg (2.103 Lb)	Capacità di temperatura:	40°C (104°F)	Pressione di esercizio:	1,2PSI (0,08Bar)

**NOTA:** la velocità di riscaldamento indicata sopra si basa su un test di laboratorio condotto a una temperatura ambiente uguale o superiore a 25 °C (77° F).



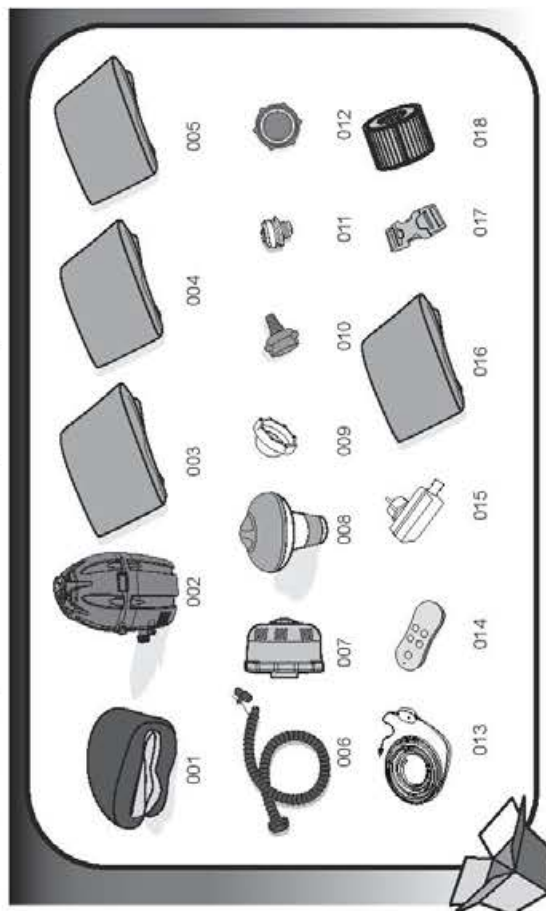
N.	Codice componente	Descrizione	QTA
001	54129TASS17	Rivestimento della piscina	1
002	P4E079ASS17	Riscaldatore per piscine	1
003	P5B401ASS17	Copertura superiore in similpelle	1
004	54129GASS17	Copertura gonfiabile	1
005	P6930	Tubo di gonfiaggio	1
006	P6653	Filtro	1
007	58426S17	Galleggiante chimico	1
008	58321(H)S15	Tappetino antistatico	1
009	F6H189ASS15	Chiave	1
010	P6575	Tappi	2
011	P6H565	Adattatore tubo	1
012	P6T199	Manometro	1
013	P6611	Adattatore coperchio A	1
014	P6H971	Valvola di gonfiaggio	1
015	F6414ASS	Fibbia	6
016	58323	Cartuccia filtro (VI)	2



## SPECIFICHE PER LAY-Z-SPA™ PARIS AirJet (N. 54148)

Capacità:	4-6 Adulti	Soffiatore turbo per massaggi:	800W	Velocità di aumento della temperatura:	Circa 1,5-2°C/h (3-4°F/h)
Capacità acqua (80%):	808 L (213 gal.)	Elemento riscaldante:	2.000W a 20°C	Flusso d'acqua effettivo:	1.325 L/h (350 gal/h)
Dimensioni da gonfia:	1,96m x 96cm (77" x 26")	Pompa:	pompa filtrante di circolazione 50 W	Potenza alimentazione:	220-240V AC, 2.050W a 20°C
Peso riempita:	840 kg (1.851 Lb)	Capacità di temperatura:	40°C (104°F)	Pressione di esercizio:	0,8PSI (0,055Bar)

**NOTA:** la velocità di riscaldamento indicata sopra si basa su un test di laboratorio condotto a una temperatura ambiente uguale o superiore a 25 °C (77° F).

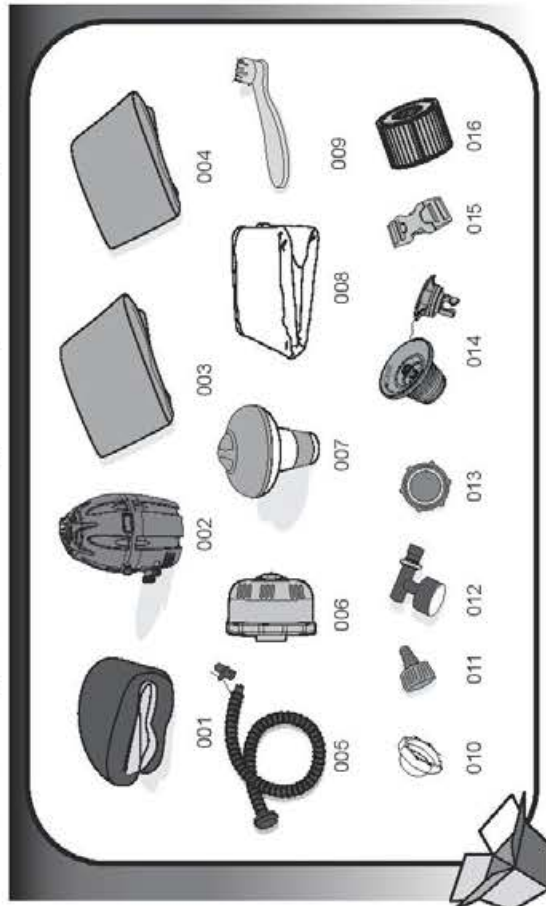


N.	Codice componente	Descrizione	QTA
001	54148TASS16	Rivestimento della piscina	1
002	P4H054AASS17	Riscaldatore per piscine	1
003	P5H284GASS17	Copertura superiore in similpelle	1
004	P5H513TASS17	Copertura in similpelle di rivestimento	1
005	54148GASS16	Copertura gonfiabile	1
006	P6931	Tubo di gonfiaggio	1
007	P6653	Filtro	1
008	58426S17	Galleggiante chimico	1
009	P6575	Tappi	2
010	P6932	Adattatore tubo	1
011	F4A024AASS	Valvola a vite	1
012	P6611	Adattatore coperchio A	1
013	P61670	Striscia di luce LED	1
014	P61232	Telecomando	1
015	P61671	Trasformatore	1
016	58321(H)S15	Tappetino antistatico	1
017	F6414AASS	Fibbia	8
018	58323	Cartuccia filtro (VI)	2

## SPECIFICHE PER LAY-Z-SPA™ Hawaii AirJet (N. 54154)

Capacità:	4-6 adulti	Soffiatore turbo per massaggi:	800W	Velocità di aumento della temperatura:	Circa 1,5-2°C/h (3-4°F/h)
Capacità acqua (80%):	840 L (222 gal.)	Elemento riscaldante:	2.000W a 20°C	Flusso d'acqua effettivo:	1.325 L/h (350 gal/h)
Dimensioni da gonfia:	1,80m x 1,80m x 71cm (71" x 71" x 28")	Pompa:	pompa filtrante di circolazione 50 W	Potenza alimentazione:	220-240V AC, 2.050W a 20°C
Peso riempita:	879 kg (1.938 Lb)	Capacità di temperatura:	40°C (104°F)	Pressione di esercizio:	1,2PSI (0,08Bar)

**NOTA:** la velocità di riscaldamento indicata sopra si basa su un test di laboratorio condotto a una temperatura ambiente uguale o superiore a 25 °C (77° F).

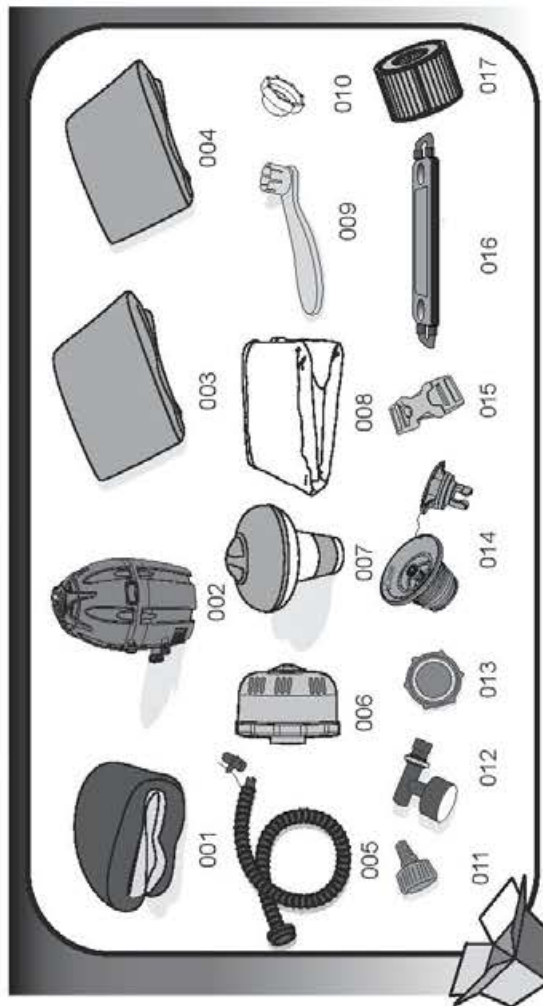


N.	Codice componente	Descrizione	QTA
001	54154TASS17	Rivestimento della piscina	1
002	P4D148AASS17	Riscaldatore per piscine	1
003	P5D588GASS17	Copertura superiore in similpelle	1
004	54138GASS17	Copertura gonfiabile	1
005	P6930	Tubo di gonfiaggio	1
006	P6653	Filtro	1
007	58426S17	Galleggiante chimico	1
008	58371(H)S15	Tappetino antistatico	1
009	F6H189AASS15	Chiave	1
010	P6575	Tappi	2
011	P6H565	Adattatore tubo	1
012	P61199	Manometro	1
013	P6611	Adattatore coperchio A	1
014	P6H971	Valvola di gonfiaggio	1
015	F6414AASS	Fibbia	8
016	58323	Cartuccia filtro (VI)	2

## SPECIFICHE PER LAY-Z-SPA™ Siena AirJet (N. 54156)

Capacità:	2 adulti	Soffiatore turbo per massaggi:	800W	Velocità di aumento della temperatura:	Circa 2.2°F/h (3.5-4.9°F/h)
Capacità acqua (80%):	509 L (134 gal.)	Elemento riscaldante:	2.000W a 20°C	Flusso d'acqua effettivo:	1.325 L/h (350 gal/h)
Dimensioni da gonfiata:	2.49m x 1.49m x 66cm (98" x 59" x 26")	Pompa:	pompa filtrante di circolazione 50 W	Potenza alimentazione:	220-240V AC, 2.060W a 20°C
Peso riempita:	548 kg (1.205 Lb)	Capacità di temperatura:	40°C (104°F)	Pressione di esercizio:	1,2PSI (0.08Bar)

**NOTA:** la velocità di riscaldamento indicata sopra si basa su un test di laboratorio condotto a una temperatura ambiente uguale o superiore a 25 °C (77° F).



N.	Codice componente	Descrizione	QTA
001	54156TASS17	Rivestimento della piscina	1
002	P4H054ASS17	Riscaldatore per piscine	1
003	P5694ASS17	Copertura superiore in similpelle	1
004	54156GASS17	Copertura gonfiabile	1
005	P6930	Tubo di gonfiaggio	1
006	P6653	Filtro	1
007	58426S17	Galleggiante chimico	1
008	P5696	Tappetino antistatico	1
009	F6H189ASS15	Chiave	1
010	P6675	Tappi	2
011	P6H565	Adattatore tubo	1
012	P61199	Manometro	1
013	P6611	Adattatore coperchio A	1
014	P6H971	Valvola di gonfiaggio	1
015	F6414ASS	Fibbia	8
016	P5595	Tavolino	1
017	58323	Cartuccia filtro (VI)	2

## INSTALLAZIONE

### Area selezionata

**AVVERTENZA:** il luogo scelto deve essere in grado di sostenere il carico previsto.

**AVVERTENZA:** è necessario predisporre un impianto di scarico adeguato per l'acqua che trabocca sia nelle installazioni all'interno che all'esterno.

**IMPORTANTE:** data la combinazione del peso di piscina Lay-Z-Spa, acqua e utenti, è estremamente importante che la base su cui viene installata la piscina Lay-Z-Spa sia regolare, piana, orizzontale e in grado di sostenere uniformemente il peso per tutta la durata dell'installazione della piscina Lay-Z-Spa (non su moquette o altro materiale simile). Se la piscina Lay-Z-Spa viene collocata su una superficie che non soddisfa questi requisiti, gli eventuali danni causati dal sostegno non adeguato non saranno coperti dalla garanzia del produttore. È responsabilità del proprietario della piscina Lay-Z-Spa garantire la costante integrità del sito.

### 1. Installazione all'interno:

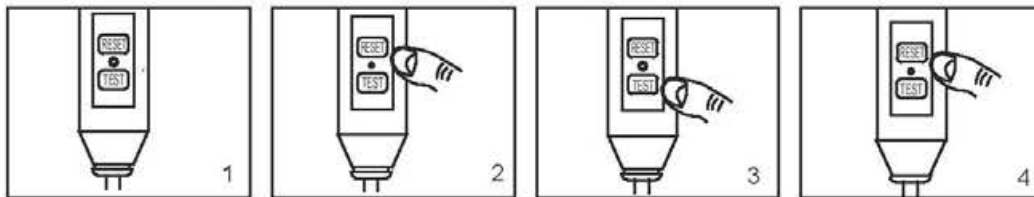
**Se la piscina viene installata in ambienti interni è importante essere consapevoli dell'esistenza di requisiti speciali.**

- L'umidità è un effetto collaterale naturale dell'installazione della piscina Lay-Z-Spa. Determinare gli effetti dell'umidità dell'aria sul legno, la carta e altro materiale esposto nell'ubicazione proposta. Per ridurre al minimo questi effetti è consigliabile provvedere a ventilare abbondantemente l'area scelta. Un architetto potrà aiutare a stabilire se l'ambiente necessita di maggiore ventilazione.

### 2. Installazione all'esterno:

- Durante le fasi di riempimento e scarico o quando è in uso, l'acqua può fuoriuscire dalla piscina. Pertanto la piscina Lay-Z-Spa deve essere installata accanto a uno scarico a pavimento.
- Non lasciare la superficie della piscina esposta alla luce diretta del sole per lunghi periodi di tempo.

## Test interruttore differenziale



**NOTA:** i disegni sono riportati solo a scopo illustrativo e potrebbero essere diversi dal prodotto. I disegni non sono in scala.

1. Inserire la spina.
2. Premere il pulsante "RESET"; la spia si accende.
3. Premere il pulsante "TEST", la spia si spegne.
4. Premere il pulsante "RESET"; la spia si accende.
5. Premere il pulsante di accensione/spegnimento per 2 secondi, la pompa è pronta all'uso.

**AVVERTENZA:** la spina con interruttore differenziale deve essere verificata prima dell'utilizzo per evitare il rischio di scosse elettriche.

**AVVERTENZA:** prima di inserire la spina nella presa della corrente, assicurarsi che la potenza della presa sia adeguata alla pompa

**AVVERTENZA:** se il test fallisce, non utilizzare la pompa e contattare l'assistenza post-vendita.



**NOTA:** durante il gonfiaggio, si noterà che l'aria viene espulsa dalla zona in cui il tubo dell'aria si collega alla pompa, ciò è normale per i requisiti tecnici.

**NOTA:** non adoperare un compressore d'aria per gonfiare la piscina.

**NOTA:** non trascinare la piscina sul terreno sconnesso perché potrebbe danneggiare il rivestimento.

**NOTA:** il tempo di gonfiaggio è solo di riferimento.

**NOTA:** il manometro serve solo per il gonfiaggio e il valore della pressione è solo di riferimento, per cui il manometro non deve essere adoperato come strumento di precisione.

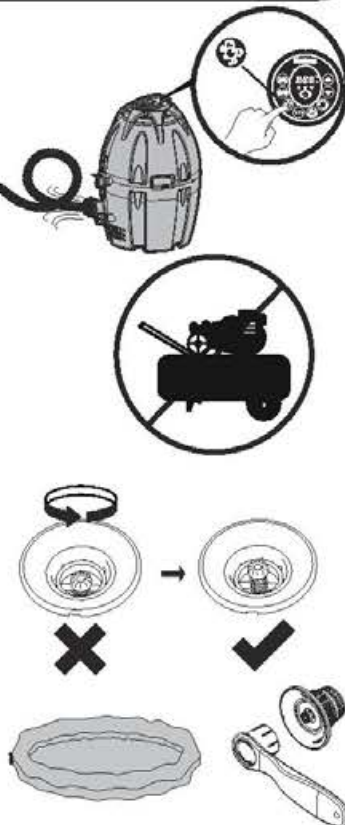
### Controllo della valvola dell'aria (per piscina con valvola per gonfiaggio/sgonfiaggio rapido)

Controllare sempre con attenzione la valvola dell'aria prima di procedere al gonfiaggio per verificare che non vi siano perdite. Se la valvola dell'aria risulta allentata, stringerla con la chiave in dotazione procedendo come descritto di seguito:

Con una mano trattenere la parte posteriore della valvola dell'aria dal lato interno della parete della piscina e ruotare la chiave in senso orario.

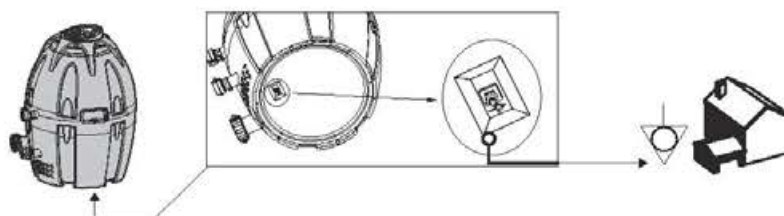
**NOTA:**

1. non stringere troppo.
2. non regolare il connettore della valvola dell'aria quando la piscina è utilizzata.

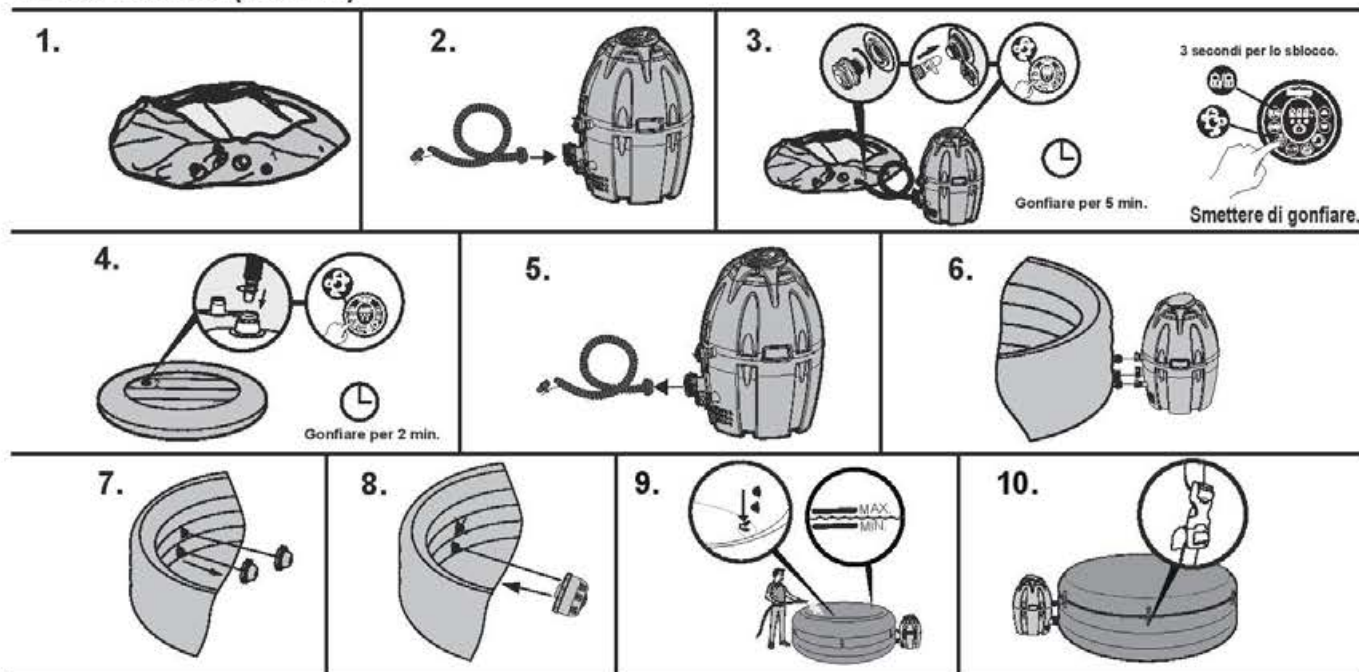


### TERMINALE PER COLLEGAMENTO EQUIPOTENZIALE DELLA POMPA PER PISCINE

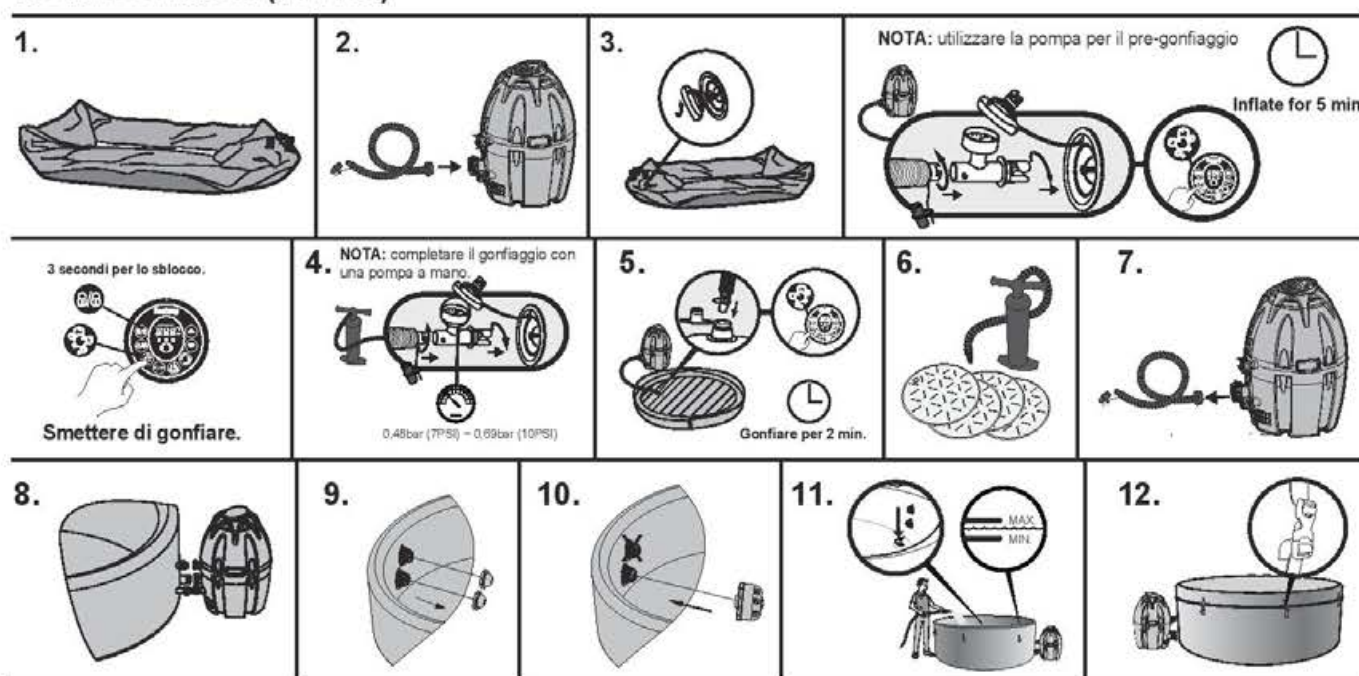
Si consiglia di consultare un elettricista qualificato per collegare la pompa della piscina a un terminale di messa a terra con un conduttore di rame solido di (minimo) 2,5 mm<sup>2</sup>.



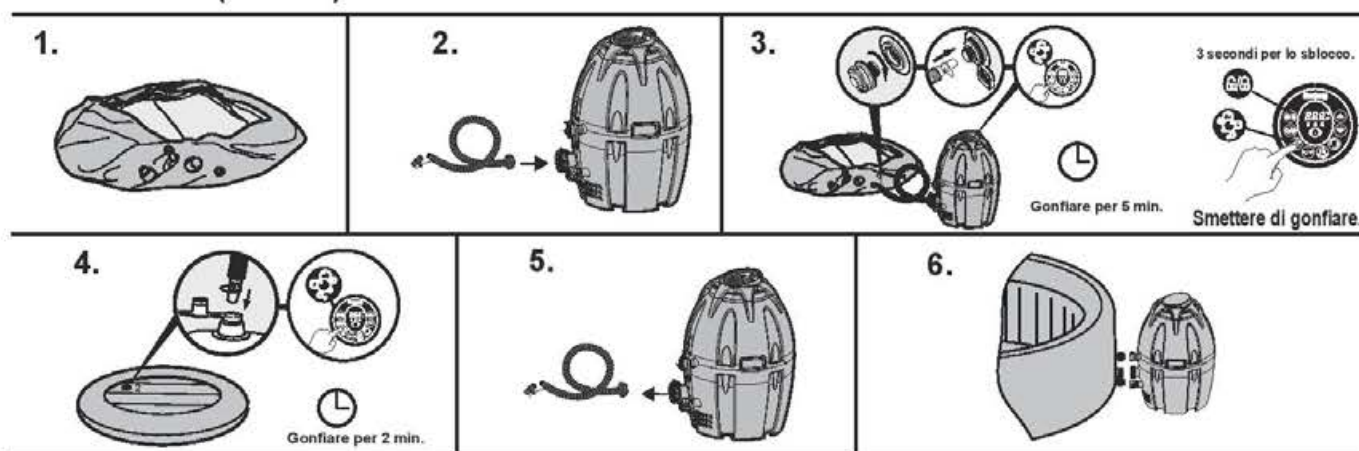
## VEGAS AirJet (#54112)

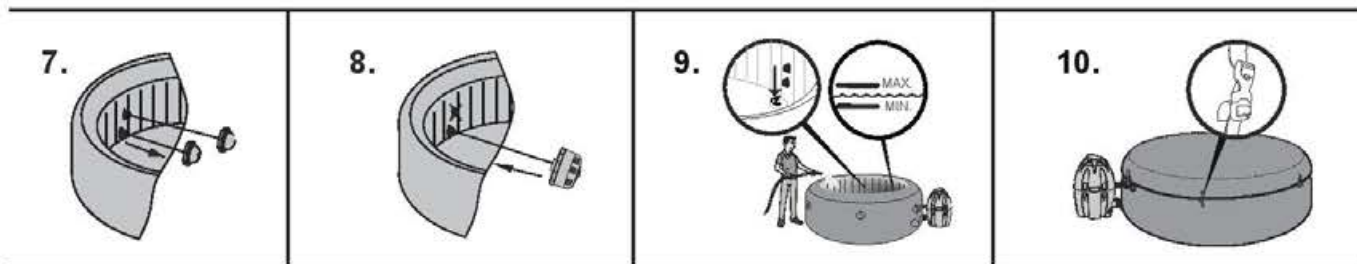


## MONACO AirJet (#54113)

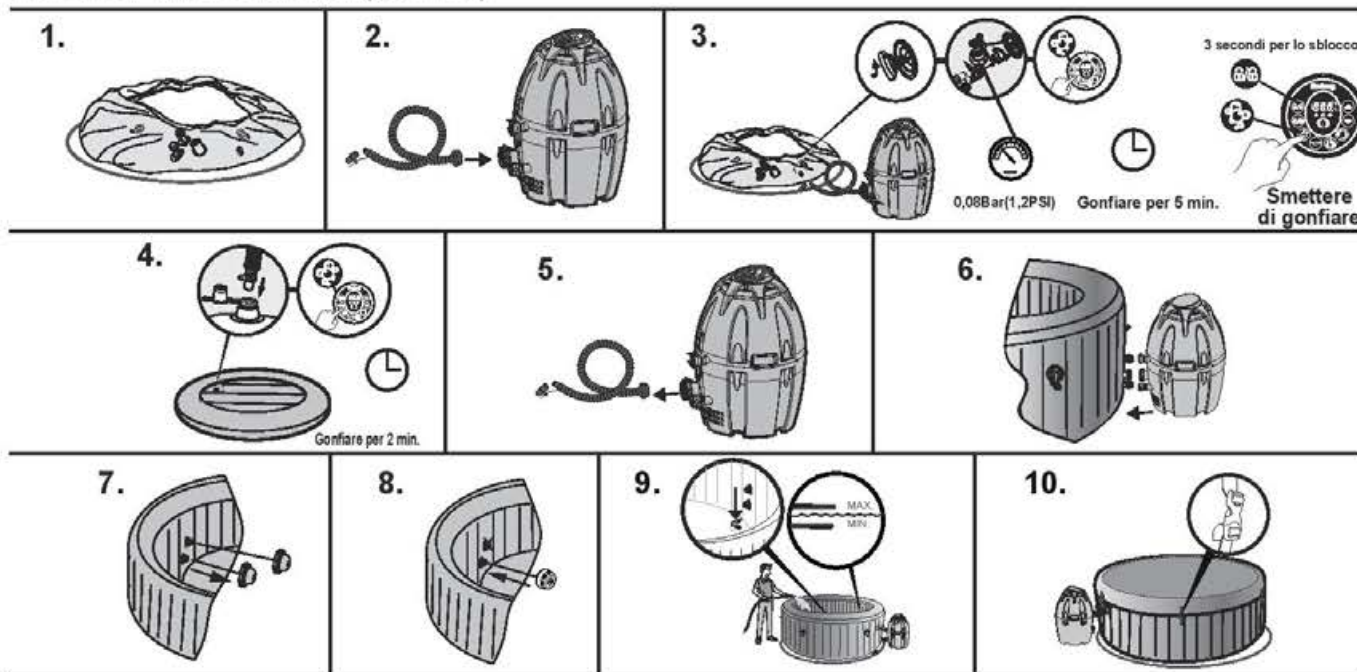


## MIAMI AirJet (#54123)

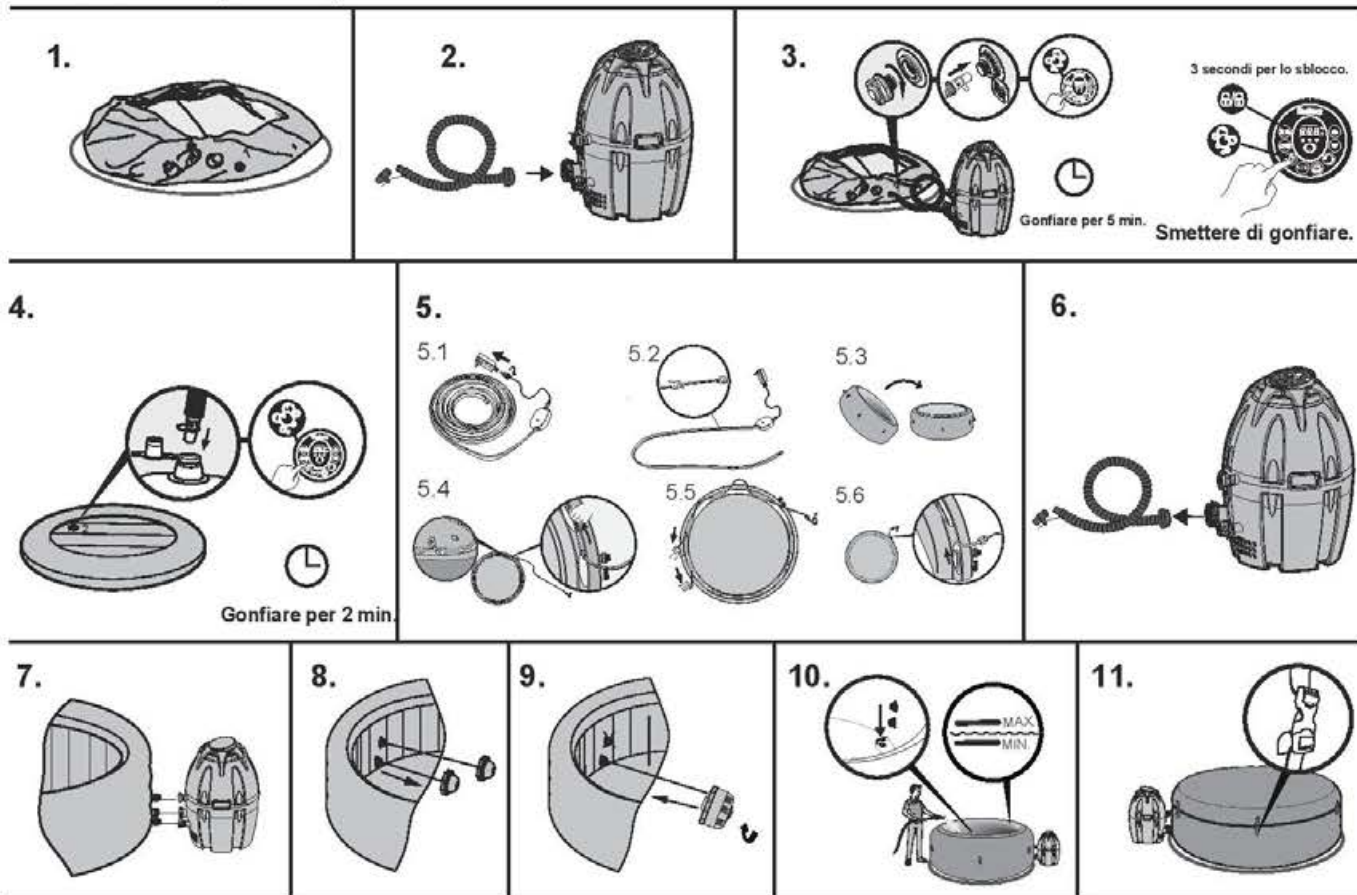




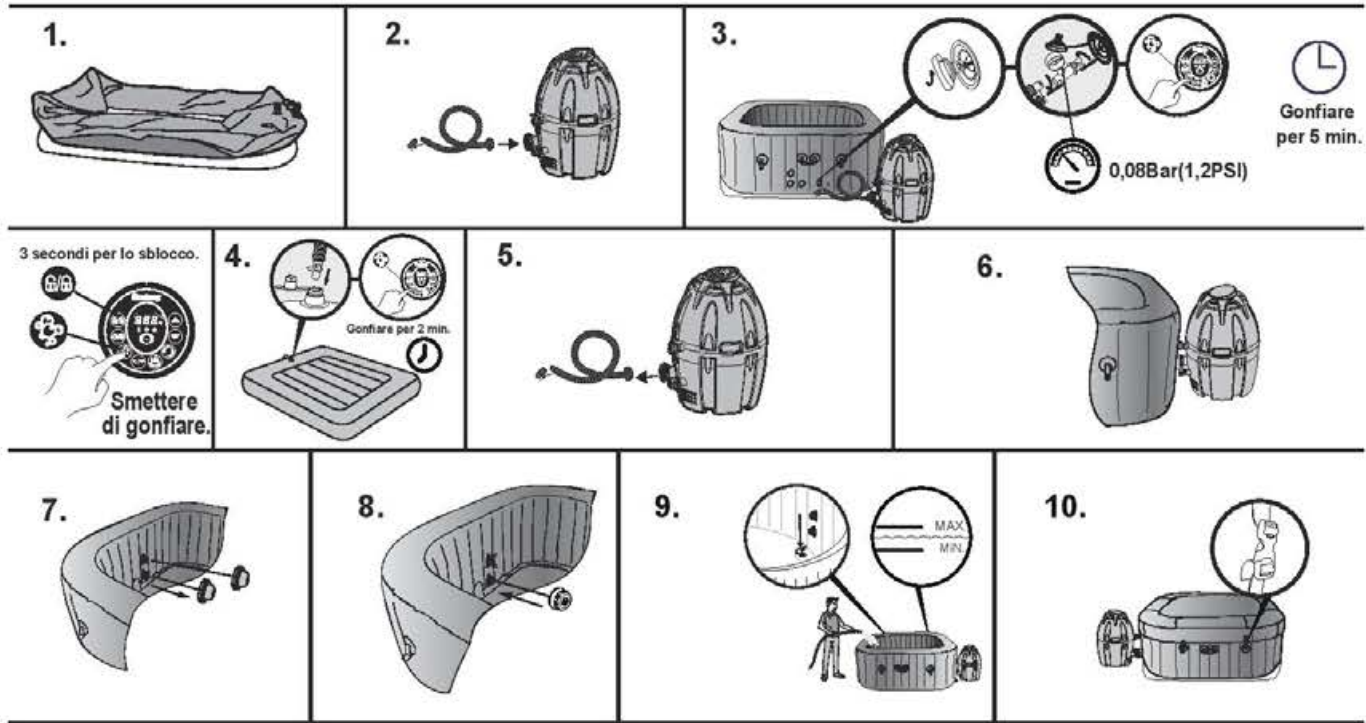
**PALM SPRINGS AirJet (#54129)**



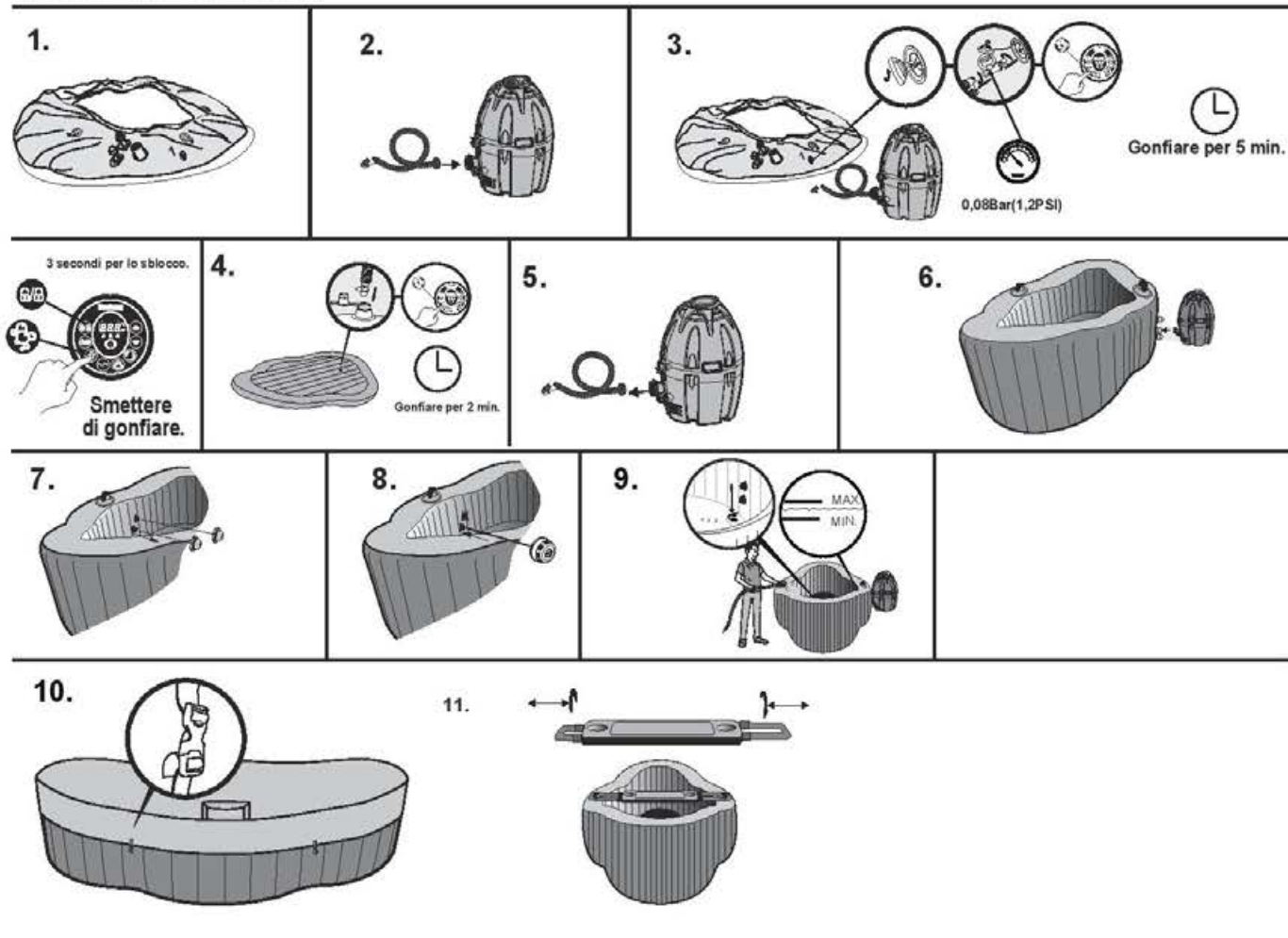
**PARIS AirJet (#54148)**



## HAWAII AirJet (#54154)



## SIENA AirJet (#54156)



## FUNZIONAMENTO DELLA POMPA

### Reset del riscaldamento

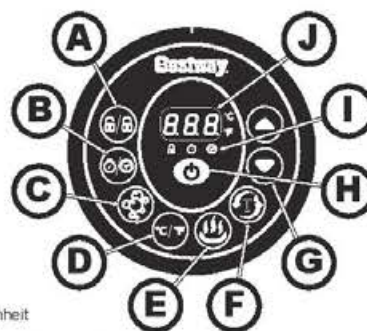
Quando si usa la piscina Lay-Z-Spa per la prima volta, o dopo un lungo periodo di inattività, assicurarsi di premere il pulsante di reset sulla pompa con un oggetto piccolo e sottile.

#### PULSANTE DI RESET

##### ISTRUZIONI IMPORTANTI PER L'USO

Se la temperatura indicata sul pannello di controllo (o la temperatura dell'acqua) non cambia 4-5 ore dopo l'attivazione dell'impianto di riscaldamento, premere il pulsante RESET con un oggetto sottile e riavviare l'impianto di riscaldamento.

**IMPORTANTE:** l'impianto di riscaldamento non funziona se la temperatura esterna è superiore a 40 °C (104 °F) o se la piscina Lay-Z-Spa è esposta alla luce diretta del sole. In queste condizioni, attendere un'ora del giorno più fresca, premere il PULSANTE RESET con un oggetto sottile e riavviare l'impianto di riscaldamento.



### A Pulsante di blocco/sblocco

La pompa è dotata di una funzione di blocco automatico dopo 5 minuti. La luce LED si spegne quando la pompa è bloccata (nessuna funzione è attivata). Per bloccare o sbloccare la pompa, premere il pulsante di blocco/sblocco per 3 secondi.

### B Pulsante Timer risparmio energetico

Si tratta di una nuova funzione, ideata per contribuire a risparmiare energia impostando tempo e durata del ciclo di riscaldamento per la piscina. In questo modo, sarà possibile utilizzare la piscina quando lo si desidera, senza dover lasciare ogni volta il riscaldatore acceso.

#### FASE 1: Impostare la durata del riscaldamento

1. Premere il pulsante fino a quando il LED non inizia a lampeggiare.
2. Premere il pulsante per regolare la durata del riscaldamento (da 1 a 48 ore).
3. Premere nuovamente il pulsante per confermare la durata del riscaldamento.

#### FASE 2: Impostare il numero di ore DA ADESSO fino al momento di attivazione del riscaldatore

1. Dopo aver impostato la durata del riscaldamento, il LED inizia a lampeggiare.
2. Premere il pulsante per regolare le ore fino al momento di attivazione (da 0 a 99 ore).
3. Premere nuovamente il pulsante o semplicemente non toccare nulla per 10 secondi per confermare l'impostazione. Si accenderà la luce LED fissa e inizierà il conto alla rovescia per l'attivazione del riscaldatore.

**Per modificare le impostazioni del timer:** Premere il pulsante e utilizzare il pulsante per regolare.

**Cancelare l'impostazione:** Premete il pulsante per 2 secondi.

**NOTA:** dopo aver regolato le impostazioni, lo schermo mostra la temperatura e l'ora corrente alternativamente.

**NOTA:** l'intervallo di regolazione del timer (tempo in cui il riscaldatore è acceso) può essere impostato da 1 a 48 ore; quello del tempo di avvio differito (il numero di ore DA ADESSO fino all'avvio del riscaldatore) può essere impostato da 0 a 99 ore. Se il timer è impostato su 0 ore, il sistema di riscaldamento si attiva immediatamente.

Nota che l'impostazione del timer è valida per un solo utilizzo - l'utente imposta la durata del ciclo di riscaldamento e le ore di avvio differito da adesso. Il timer NON si ripete fino al reset.

### C Pulsante del sistema Lay-Z-Massage

Utilizzare questo pulsante per attivare il sistema di massaggio dotato di una funzione di spegnimento automatico dopo 30 minuti. La luce sopra il pulsante Lay-Z-Massage System diventa rossa all'attivazione.

**IMPORTANTE:** non avviare il sistema Lay-Z-Massage quando è fissata la copertura. L'aria può accumularsi all'interno della piscina e provocare danni irreparabili e lesioni personali.

**NOTA:** i sistemi di riscaldamento e di massaggio funzionano insieme per offrire un massaggio caldo.



### D Pulsante Celsius/Fahrenheit

È possibile visualizzare la temperatura in gradi Fahrenheit o Celsius.

### E Pulsante di riscaldamento

Utilizzare questo pulsante per attivare l'impianto di riscaldamento. Quando la luce sopra il pulsante di riscaldamento è rossa, l'impianto di riscaldamento è attivato. Quando la luce è verde, l'acqua ha raggiunto la temperatura impostata e l'impianto di riscaldamento è a riposo.

**NOTA:** attivando l'impianto di riscaldamento il sistema di filtraggio si avvia automaticamente.

**NOTA:** dopo aver spento l'impianto di riscaldamento il sistema di filtraggio continua a funzionare.

### F Pulsante Filtro dell'acqua

Questo pulsante accende e spegne la pompa del filtro. La luce sopra il pulsante Filtro dell'acqua diventa rossa quando viene attivato.

### G Pulsanti di regolazione della temperatura

Premendo i pulsanti di aumento o diminuzione della temperatura il LED inizia a lampeggiare. Quando lampeggia è possibile regolare l'impostazione della temperatura desiderata. Tenendo premuti questi pulsanti, i valori aumenteranno o diminuiranno rapidamente. La nuova impostazione della temperatura desiderata rimarrà sul display a LED per 3 secondi affinché si confermi il nuovo valore.

**NOTA:** la temperatura predefinita è 35 °C (95 °F).

**NOTA:** l'intervallo di regolazione della temperatura va da 20 °C (68 °F) a 40 °C (104 °F).

### H Pulsante di accensione/spegnimento

Premere il pulsante per due secondi per attivare i pulsanti sul pannello di controllo, la luce diventa verde. Tenere premuto questo pulsante per due secondi per disattivare tutte le funzioni attualmente attive.

### I LED del Timer risparmio energetico

Il LED lampeggiante indica che si sta impostando la durata del riscaldamento. La luce si accende quando il riscaldamento inizia a funzionare.

Il LED lampeggiante indica che si sta impostando il numero di ore A PARTIRE DA ORA all'attivazione del riscaldatore. Quando la luce è accesa e fissa, la funzione Timer risparmio energetico è impostata.

### J Display a LED

Una volta acceso, il LED visualizza automaticamente la temperatura corrente dell'acqua.

Dopo 72 ore di filtrazione (senza usare la funzione Timer risparmio energetico) la pompa si arresta e la scritta "End" (Fine) con la temperatura corrente dell'acqua inizia a lampeggiare. Quando la pompa è in standby, le funzioni di riscaldamento e di filtraggio dell'acqua sono disabilitate. Per riattivare la pompa, tenere premuto per 3 secondi il pulsante di blocco/sblocco.

**NOTA:** la velocità di riscaldamento dell'acqua può variare nelle seguenti condizioni:

• Quando la temperatura esterna è inferiore ai 15 °C (59 °F).

• Se la copertura non è in posizione quando la funzione di riscaldamento è attivata.

**NOTA:** Per visualizzare la temperatura dell'acqua, mettere in funzione il sistema filtrante per almeno un minuto. La temperatura dell'acqua misurata da un termometro esterno può differire dalla temperatura visualizzata sul pannello della piscina fino a 2 °C circa.

## Allarmi

Cause	Motivi	Soluzioni	
<b>EO1</b>	I sensori del flusso d'acqua funzionano senza bisogno di premere il pulsante del filtro o il pulsante di riscaldamento.	1. Gli indicatori dei sensori del flusso d'acqua non sono in posizione corretta. 2. I sensori del flusso d'acqua sono danneggiati	1. Scollegare delicatamente la presa, dare piccoli colpetti alla parte laterale della pompa e ricollegarla 2. Rivolgersi all'assistenza post-vendita Bestway locale per ricevere istruzioni
<b>EO2</b>	Dopo l'avvio o in fase di filtraggio o riscaldamento, i sensori del flusso d'acqua non rilevano il flusso dell'acqua.	1. Non sono stati rimossi i due tappi di arresto all'interno della piscina 2. Le cartucce dei filtri sono sporche 3. Azionare il sistema filtrante o di riscaldamento e collocare una mano davanti al tubo di scarico all'interno della piscina per controllare se l'acqua sta uscendo a. Se non esce acqua, la pompa idrica è danneggiata b. L'acqua esce ma viene visualizzato l'allarme  indicante che i sensori del flusso dell'acqua sono danneggiati.	1. Rimuovere i due tappi di arresto prima del riscaldamento. Fare riferimento alla sezione del manuale utente relativa al montaggio 2. Rimuovere il filtro dall'interno della piscina e premere il pulsante del filtro o del riscaldamento. Se non viene visualizzato alcun allarme, pulire o sostituire le cartucce filtranti e installare il filtro all'interno della piscina. 3. Rivolgersi all'assistenza post-vendita Bestway locale per ricevere istruzioni
<b>EO3</b>	Il termometro della pompa indica una temperatura dell'acqua inferiore a 4 °C (40 °F).	1. La temperatura dell'acqua è inferiore a 4 °C (40 °F) 2. Se la temperatura dell'acqua è superiore a 7 °C (44,6 °F), il termometro della pompa è danneggiato.	1. La piscina non è progettata per il funzionamento con temperature dell'acqua inferiori a 4 °C (40 °F). Scollegare la pompa e riavviarla solo quando la temperatura dell'acqua raggiunge 6 °C (43 °F) 2. Rivolgersi all'assistenza post-vendita Bestway locale per ricevere istruzioni
<b>EO4</b>	Il termometro della pompa indica una temperatura dell'acqua superiore a 50 °C (122 °F).	1. La temperatura dell'acqua è superiore a 50 °C (122 °F) 2. Se la temperatura dell'acqua è inferiore a 45 °C (113 °F), il termometro della pompa è danneggiato	1. La piscina non è progettata per il funzionamento con temperature dell'acqua superiori a 40 °C (104 °F). Scollegare la pompa e riavviarla solo quando l'acqua raggiunge una temperatura inferiore o uguale a 38 °C (100 °F) <b>IMPORTANTE:</b> prima di riavviare la pompa, premere il pulsante di reset della pompa stessa 2. Rivolgersi all'assistenza post-vendita Bestway locale per ricevere istruzioni
<b>EO5</b>	Problemi di collegamento del termometro della pompa.	1. I connettori del termometro della pompa non funzionano 2. Il termometro della pompa è danneggiato	Rivolgersi all'assistenza post-vendita Bestway locale per ricevere istruzioni
<b>EO8</b>	Problema dell'interruttore termico di reset manuale.	L'interruttore termico di reset manuale è scattato	1. Scollegare la pompa e premere il pulsante di reset, quindi ricollegare la pompa. 2. Se l'allarme non si disattiva, consultare la sezione PULSANTE DI RESET del manuale 3. Rivolgersi all'assistenza post-vendita Bestway locale per ricevere istruzioni.

## MANUTENZIONE

**NOTA:** di tanto in tanto sarà necessario gonfiare ulteriormente la piscina. Le variazioni di temperatura dal giorno alla notte modificano la pressione della piscina e possono sgonfiarla leggermente. Seguire le istruzioni di montaggio e svuotare l'acqua dalla piscina prima di gonfiarla alla pressione necessaria.

**ATTENZIONE:** PER EVITARE IL RISCHIO DI LESIONI ANCHE FATALI, ACCERTARSI CHE LA POMPA SIA SCOLLEGATA PRIMA DI EFFETTUARE OPERAZIONI DI MANUTENZIONE DELLA PISCINA.

**Manutenzione della cartuccia del filtro**

**NOTA:** per garantire la pulizia costante dell'acqua della piscina, controllare e pulire le cartucce del filtro ogni giorno seguendo i passaggi indicati di seguito.

**NOTA:** si consiglia di cambiare le cartucce del filtro ogni settimana o di sostituirle se rimangono sporche e scolorite.



**Manutenzione dell'acqua**

È necessario mantenere l'acqua della piscina pulita e chimicamente equilibrata. Per una corretta manutenzione non è sufficiente pulire la cartuccia del filtro; si raccomanda di utilizzare prodotti chimici per piscine per mantenere la chimica dell'acqua e pastiglie di cloro o bromo (non usare granuli) con il galleggiante chimico.

In generale, l'acqua deve essere cambiata ogni 3 giorni circa. Si tratta solo di una raccomandazione generica; la qualità dell'acqua è influenzata dalla frequenza d'uso, dagli utenti della piscina e dalla manutenzione generale.

**Nota:** vi consigliamo di fare una doccia prima di utilizzare la piscina Lay-Z-Spa, poiché prodotti cosmetici, lozioni e altri residui sulla pelle possono rapidamente degradare la qualità dell'acqua. Per utilizzare il galleggiante chimico, seguire le istruzioni seguenti.

Utilizzo delle pastiglie chimiche (non incluso):



Utilizzo del liquido chimico (non incluso):



**NOTA:** rimuovere il galleggiante chimico dalla piscina durante l'uso della stessa.

**IMPORTANTE:** dopo aver effettuato la manutenzione chimica e prima di usare la piscina, utilizzare un kit di test (non incluso) per testare la chimica dell'acqua.

Si consiglia di mantenere i valori dell'acqua come indicato nella seguente tabella.

pH	Alcalinità totale	Cloro libero
7,4-7,6	80-120 ppm	2-4 ppm

**NOTA:** danni causati da squilibri chimici non sono coperti dalla garanzia. I prodotti chimici per piscine sono potenzialmente tossici e devono essere maneggiati con attenzione. Esistono seri rischi per la salute dovuti all'inhalazione di vapori chimici e all'etichettatura e stoccaggio errati dei contenitori di sostanze chimiche. Per informazioni sulla manutenzione chimica, rivolgersi al fornitore di accessori per piscine locale. Attenersi scrupolosamente alle istruzioni fornite dal produttore della sostanza chimica. Danni derivanti da un uso improprio di prodotti chimici e da una cattiva gestione dell'acqua della piscina non sono coperti dalla garanzia.

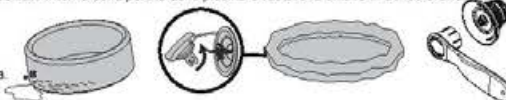
**Regolazione della valvola dell'aria (solo per N. 54113 N. 54129 N. 54154 N. 54156)**

In caso di perdite d'aria, verificare prima la valvola dell'aria. Utilizzare acqua e sapone e coprire la valvola dell'aria per verificare se ci sono perdite. In tal caso, utilizzare la chiave in dotazione per fissare la valvola dell'aria seguendo questi passaggi:

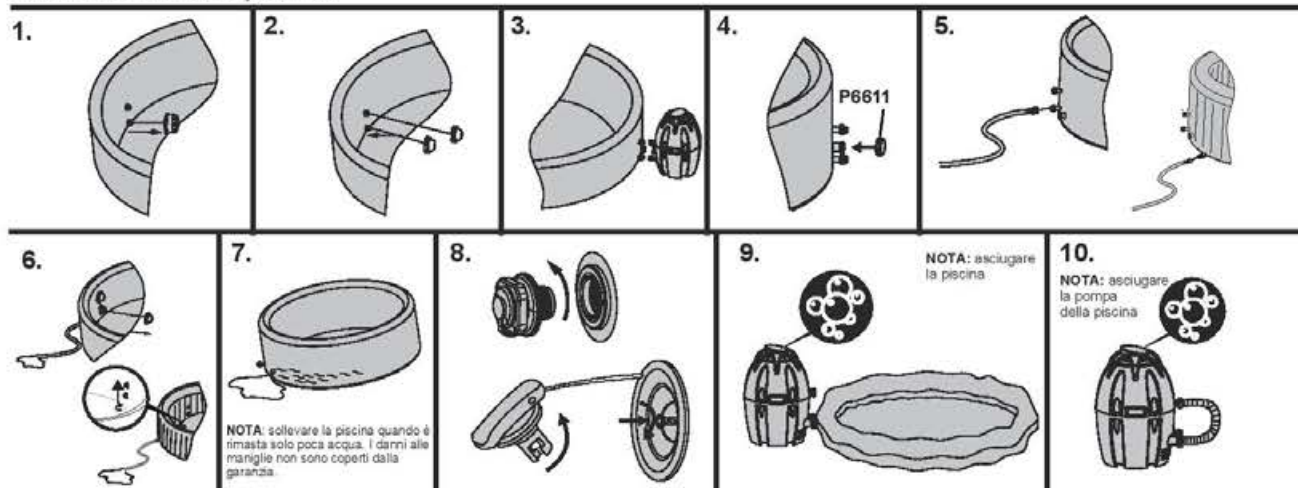
• con una mano trattenere la parte posteriore della valvola dell'aria dal lato interno della parete della piscina e ruotare la chiave in senso orario.

**NOTA:**

1. Non stringere troppo.
2. Controllare sempre con attenzione la valvola dell'aria prima dell'uso.
3. Non regolare il connettore della valvola dell'aria quando la piscina è utilizzata.



## Svuotamento della piscina



## Pulizia della piscina

Residui di detersivo, solidi disciolti dei costumi da bagno e sostanze chimiche possono accumularsi sulle pareti della piscina. Utilizzare acqua e sapone per pulire le pareti e risciacquare accuratamente.

**NOTA:** NON usare spazzole dure o detersivi abrasivi.

**Riparazione della piscina**

**Per piscine N. 54112, N. 54123, N. 54148 e copertura gonfiabile**

Se la piscina è strappata o forata, utilizzare la toppa di riparazione a elevata resistenza in dotazione.

1. Pulire l'area da riparare.
2. Staccare attentamente la toppa.
3. Premere la toppa sull'area da riparare.
4. Attendere 30 secondi prima del gonfiaggio.

**Per piscine N. 54113, N. 54129, N. 54154, N. 54156 (non includono la copertura gonfiabile)**

Se la piscina è strappata o forata, utilizzare la toppa di riparazione in PVC in dotazione e della colla (non inclusa) ottenendoci alla procedura seguente:

1. Pulire e asciugare l'area da riparare.
2. Tagliare la toppa in PVC in dotazione nella dimensione desiderata.
3. Utilizzare la colla (non inclusa) applicandola su uno dei lati della toppa, distribuendola in maniera uniforme.
4. Attendere 30 secondi e collocare la toppa con la colla sull'area danneggiata.
5. Appianare eventuali bolle d'aria intrappolate e premere saldamente per due minuti.
6. A questo punto, il prodotto può essere utilizzato nuovamente. Ripetere la procedura per riparare altre perdite.
7. Attendere 30 minuti prima del gonfiaggio.

## Stoccaggio Lay-Z-Spa

Assicurarsi che la piscina e la pompa siano completamente asciutte. Ciò è necessario per prolungare la vita della piscina. Si raccomanda di utilizzare la pompa per asciugare la piscina, la pompa e i tubi. Rimuovere i set di filtri e gettare via le cartucce filtranti usate. Reinscrivere i due tappi di arresto nelle valvole di ingresso e uscita della piscina. Si consiglia di conservare il prodotto nella confezione originale in un luogo fresco e privo di umidità.

**NOTA:** la plastica diventa fragile e suscettibile di rottura se esposta a temperature sotto lo zero. Il congelamento può danneggiare gravemente la piscina. Una non corretta preparazione per l'inverno può invalidare la garanzia.

**Smaltimento**



Significato del simbolo raffigurante un bidone della spazzatura sbarrato: non gettare le apparecchiature elettriche tra i rifiuti comuni, ma smaltirle nei centri di raccolta differenziata. Per informazioni sui sistemi di raccolta, rivolgersi al proprio Comune di residenza. Se le apparecchiature elettriche vengono gettate in discarica, la fuoriuscita di sostanze pericolose potrebbe inquinare le falde acquifere e penetrare nella catena alimentare, con gravi danni per la salute. Quando si sostituiscono le apparecchiature vecchie con le nuove il rivenditore è tenuto per legge a ritirare gratuitamente le vecchie per il corretto smaltimento.



**RISOLUZIONE DEI PROBLEMI** Bestway si impegna a fornire le piscine con il minor numero di difetti sul mercato.

Per qualsiasi problema riscontrato, contattare Bestway o il proprio rivenditore autorizzato.

Di seguito vengono presentati alcuni consigli utili per aiutare a diagnosticare e correggere i problemi più comuni.

Problemi	Cause probabili	Soluzioni
La pompa non funziona	<ul style="list-style-type: none"> <li>- Assenza di energia elettrica</li> <li>- Circuiti di alimentazione danneggiati</li> </ul>	<ul style="list-style-type: none"> <li>- Controllare la fonte di alimentazione elettrica</li> <li>- Rivolgersi all'assistenza post-vendita Bestway locale per ricevere istruzioni</li> </ul>
La pompa non riscalda in modo adeguato	<ul style="list-style-type: none"> <li>- La temperatura impostata è troppo bassa</li> <li>- Cartuccia del filtro sporca</li> <li>- È scattato l'interruttore termico</li> <li>- La piscina non è coperta</li> <li>- Elemento di riscaldamento guasto o fusibile scattato</li> </ul>	<ul style="list-style-type: none"> <li>- Impostare una temperatura più elevata. Fare riferimento alla sezione relativa al funzionamento della pompa</li> <li>- Pulire o sostituire la cartuccia del filtro. Fare riferimento alla sezione relativa alla pulizia e alla sostituzione della cartuccia del filtro</li> <li>- Scollegare la pompa e riporre la spina in un ambiente fresco e asciutto. Riavviare la pompa solo quando l'acqua raggiunge una temperatura inferiore o uguale a 35°C (95°F).</li> <li>- Collocare la copertura.</li> <li>- Rivolgersi all'assistenza post-vendita Bestway locale per ricevere istruzioni</li> </ul>
Il sistema Lay-Z-Massage non funziona	<ul style="list-style-type: none"> <li>- La pompa dell'aria si surriscalda</li> <li>- Lay-Z-Spa Massage si arresta automaticamente</li> <li>- La pompa dell'aria è danneggiata</li> </ul>	<ul style="list-style-type: none"> <li>- Scollegare la pompa e attendere due ore affinché si raffreddi. Inserire la spina e premere il pulsante del sistema Lay-Z-Massage</li> <li>- Premere il pulsante del sistema Lay-Z-Massage per riattivarlo</li> <li>- Rivolgersi all'assistenza post-vendita Bestway locale per ricevere istruzioni</li> </ul>
Gli adattatori della pompa non sono a livello con quelli della piscina	<ul style="list-style-type: none"> <li>- È normale perché il PVC tende a cambiare forma</li> </ul>	<ul style="list-style-type: none"> <li>- Innalzare la pompa con un pezzo di legno o un altro tipo di materiale isolante per collocare gli adattatori della pompa a livello con quelli della piscina</li> </ul>
Perdite della piscina	<ul style="list-style-type: none"> <li>- La piscina è strappata o forata</li> <li>- La valvola dell'aria è allentata</li> </ul>	<ul style="list-style-type: none"> <li>- Utilizzare la toppa di riparazione fornita</li> <li>- Utilizzare acqua e sapone e coprire la valvola dell'aria per verificare se ci sono perdite, in tal caso, utilizzare la chiave in dotazione per fissare la valvola dell'aria seguendo questi passaggi: <ol style="list-style-type: none"> <li>1. Sgonfiare la piscina.</li> <li>2. Con una mano trattenere la parte posteriore della valvola dell'aria dal lato interno della parete della piscina e ruotare la chiave in senso orario.</li> </ol> </li> </ul>
L'acqua non è pulita	<ul style="list-style-type: none"> <li>- Tempo di filtraggio insufficiente</li> <li>- Cartuccia del filtro sporca</li> <li>- Impropria manutenzione dell'acqua</li> </ul>	<ul style="list-style-type: none"> <li>- Aumentare il tempo di filtraggio</li> <li>- Pulire/sostituire la cartuccia del filtro (fare riferimento alla sezione relativa alla pulizia e alla sostituzione della cartuccia del filtro)</li> <li>- Fare riferimento alle istruzioni del fabbricante del prodotto chimico</li> </ul>
Test dell'interruttore differenziale non riuscito	Possibile malfunzionamento della piscina	Rivolgersi all'assistenza post-vendita Bestway locale e restituire la piscina.
Il pannello di controllo non funziona	<ul style="list-style-type: none"> <li>- il pannello di controllo è dotato di una funzione di blocco automatico che si attiva dopo 5 minuti di inattività. Sul display a LED viene visualizzata un'icona  se l'icona di blocco è evidenziata, il pannello di controllo è bloccato.</li> <li>- Il pannello di controllo non è attivato.</li> </ul>	<ul style="list-style-type: none"> <li>- Per sbloccare il pannello di controllo, tenere premuto per 3 secondi il pulsante </li> <li>- Se il pannello di controllo non si sblocca, riavviare la pompa scollegandola e ricollegandola.</li> <li>- Premere il pulsante di accensione/spegnimento per 2 secondi.</li> <li>- Se il problema non si risolve, rivolgersi all'assistenza post-vendita Bestway locale per ricevere istruzioni.</li> </ul>
Che tipo di sostanze chimiche occorre utilizzare per la manutenzione dell'acqua?	Per informazioni sulla manutenzione chimica, rivolgersi al fornitore di sostanze chimiche locale. Attenersi scrupolosamente alle istruzioni fornite dal produttore della sostanza chimica.	
È presente una perdita d'acqua dagli adattatori tra la pompa e la piscina	Inserire i cappucci di arresto sulle aperture della piscina per evitare che l'acqua fuoriesca, quindi scollegare la pompa. Accertarsi che le guarnizioni siano montate correttamente all'interno degli adattatori della pompa. Se le guarnizioni mancano o non sono montate correttamente, rivolgersi all'assistenza post-vendita Bestway locale per ricevere istruzioni. Se le guarnizioni sono montate correttamente, ricollegare la pompa alla piscina e stringere con forza gli adattatori con le mani.	

# Garanzia limitata del produttore BESTWAY®

Il prodotto acquistato è coperto da una garanzia limitata. Bestway® garantisce che il prodotto è privo di difetti di fabbrica; in caso di difetti, il prodotto verrà sostituito.

Per utilizzare la garanzia, compilare questo modulo e inviarlo assieme a una copia della ricevuta d'acquisto al centro post-vendita Bestway locale. Prima di inviare documenti, rivolgersi al centro post-vendita Bestway locale, che fornirà tutte le istruzioni necessarie per l'inoltro di eventuali reclami. Bestway® non sostituisce i prodotti se ritiene che siano stati utilizzati in maniera non corretta o non conforme alle istruzioni riportate nel manuale d'uso.

La garanzia Bestway copre i difetti di fabbrica rilevati quando si toglie il prodotto dalla confezione o durante l'uso, come prescritto nel manuale d'uso. La presente garanzia è valida solo se i prodotti non hanno subito modifiche da parte di terzi. Conservare e utilizzare il prodotto in conformità alle raccomandazioni tecniche.

La garanzia non copre danni causati da errato/cattivo utilizzo o negligenza, inclusi, ad esempio, urti, incendi, tensioni errate, esposizione a calore eccessivo, installazione non corretta, errori di cablaggio o di controllo e stoccaggio inadeguato.

Le riparazioni e le sostituzioni non implicano un prolungamento della durata della garanzia. La data di inizio validità della garanzia corrisponde alla data di acquisto riportata sulla fattura o sulla ricevuta di acquisto originale.

Scegliere la PISCINA



A: Assistenza Bestway®

Data di acquisto: \_\_\_\_\_

DATA: \_\_\_\_\_

Codice cliente: \_\_\_\_\_

FAX/EMAIL/TEL.: Fare riferimento ai dati relativi al proprio paese, riportati sul retrocopertina o reperibili sul sito Web Bestway: [www.bestwaycorp.com](http://www.bestwaycorp.com)

Fornire il proprio indirizzo completo. **Nota:** Se si fornisce un indirizzo incompleto, la spedizione potrebbe subire ritardi. Bestway si riserva il diritto di addebitare i costi di riconsegna di merce non recapitata per cause imputabili al destinatario.

## INFORMAZIONI INDISPENSABILI – INDICARE L'INDIRIZZO DI SPEDIZIONE

Nome: \_\_\_\_\_ Indirizzo: \_\_\_\_\_

Codice postale: \_\_\_\_\_ Rivenditore: \_\_\_\_\_

Paese: \_\_\_\_\_ Città: \_\_\_\_\_

Cellulare: \_\_\_\_\_ Telefono: \_\_\_\_\_

Fax: \_\_\_\_\_ E-mail: \_\_\_\_\_

Numero di lotto POMPA: \_\_\_\_\_ Numero di lotto PISCINA: \_\_\_\_\_

Codice articolo POMPA: \_\_\_\_\_



I disegni sono riportati solo a scopo illustrativo e non sono in scala.

### Descrizione del problema

- Perdite della piscina
- Sistema di filtraggio dell'acqua guasto
- Sistema di riscaldamento guasto
- Il pannello di controllo segnala un errore che non può essere risolto
- Sistema Lay-Z-Massage guasto
- Perdite della pompa
- Perdite dell'adattatore
- Componenti mancanti: Utilizzare il codice delle parti mancanti, reperibile nel manuale per l'utente.
- Altro (specificare)

**IMPORTANTE: VERRANNO SOSTITUITI SOLO I COMPONENTI DANNEGGIATI, NON TUTTO IL PRODOTTO.**

Bestway si riserva il diritto di richiedere prove fotografiche o l'invio dei componenti difettosi per ulteriori verifiche. Per ottenere la migliore assistenza possibile, occorre fornire tutte le informazioni.

PER CONSULTARE LE DOMANDE FREQUENTI, SCARICARE I MANUALI, VISUALIZZARE I VIDEO O REPERIRE RICAMBI, VISITATE IL NOSTRO SITO WEB [www.bestwaycorp.com](http://www.bestwaycorp.com). I VIDEO SONO DISPONIBILI ANCHE SUL NOSTRO CANALE BESTWAY SU YOUTUBE: [www.youtube.com/user/BestwayService](http://www.youtube.com/user/BestwayService)

# CONTENU

Visitez la chaîne YouTube de Bestway

1. Consignes de sécurité .....	P107	5. Maintenance .....	P119
2. Spécifications .....	P110	Maintenance de la cartouche du filtre	
3. Installation .....	P113	Maintenance de l'eau	
Emplacement choisi		Réglage de la vanne d'air	
Test de la pompe		Vidange du spa	
4. Fonctionnement de la pompe..	P118	Nettoyage du spa	
Réinitialisation du chauffage		Réparation du spa	
Tableau de commande		Rangement du Lay-Z-Spa	
Alarmes		Mise au rebut	
		6. Dépannage .....	P120
		7. Garantie .....	P121



## CONSIGNES DE SÉCURITÉ

Lors de l'installation et de l'utilisation de cet équipement électrique, vous devez toujours suivre les consignes de sécurité de base, y compris les précautions suivantes :

**CONSIGNES DE SÉCURITÉ IMPORTANTES - LISEZ ET RESPECTEZ TOUTES LES INSTRUCTIONS.**

### ATTENTION :

- Le spa doit être alimenté par un transformateur d'isolation ou un dispositif différentiel à courant résiduel (DDR) ayant un courant résiduel nominal ne dépassant pas 30 mA.
  - La pompe doit être testée avant chaque utilisation, pour effectuer un test suivez les instructions de la pompe.
  - Si le cordon d'alimentation est endommagé, faites-le remplacer par le fabricant, son représentant ou des personnes qualifiées pour éviter tout danger.
  - Pour réduire le risque d'électrocution, n'utilisez pas de rallonge pour brancher l'appareil sur le secteur ; prévoyez une prise correctement située.
  - Aucune partie de l'appareil ne doit être située au-dessus de la baignoire pendant l'utilisation.
  - Les pièces contenant des pièces sous tension, à l'exception des pièces fournies avec une tension extra-basse de sécurité ne dépassant pas 12 V, ne doivent pas être accessibles à une personne se trouvant dans la piscine spa. Les pièces contenant des composants électriques, à l'exception des télécommandes, doivent être situées ou fixées de manière à ne pas pouvoir tomber dans la piscine.
  - Le spa doit être alimenté par une source de courant reliée à la terre.
  - **Attention : Il convient de toujours garder la prise dans un état sec, l'enfichage d'une prise humide est strictement interdit !**
  - Le bouchon doit être accessible après l'installation du spa.
- ATTENTION :** pour éviter tout danger dû à une reconfiguration du coupe-circuit thermique par inadvertance, l'appareil ne doit pas être alimenté par un dispositif de commutation externe, comme une minuterie, ni être branché sur un circuit qui est régulièrement allumé et éteint par le service.
- Après avoir utilisé votre spa pendant 3 à 5 ans, vous devez contacter le technicien de maintenance qualifié le plus proche pour vérifier sa sécurité et ses performances. Les principaux composants, notamment l'élément chauffant à l'intérieur de l'unité électrique, le moteur soufflant de l'air et les clapets de non-retour, doivent être contrôlés et remplacés (si cela s'avère nécessaire) par des professionnels.
- **POUR ÉVITER L'ÉLECTROCUTION, N'UTILISEZ PAS LE SPA PAR TEMPS DE PLUIE.**
  - Ne portez jamais de lentilles de contact dans votre spa.
  - N'utilisez pas le spa pendant le traitement chimique.
  - La source de courant sur le mur du bâtiment doit être à plus de 4 m de la piscine et à une hauteur d'au moins 1,2 m.
  - Les rallonges ne peuvent pas être utilisées.
  - Ne branchez pas ou ne débranchez pas l'appareil si vous avez les mains mouillées.
  - Débranchez toujours l'appareil :
    - les jours de pluie
    - avant tout nettoyage ou autre opération d'entretien
    - si vous partez en vacances
  - Le nettoyage et l'entretien doivent être effectués par un adulte ayant plus de 18 ans ayant conscience du risque d'électrocution.
  - Si l'appareil doit être inutilisé pendant longtemps, comme par exemple pendant l'hiver, le spa ou la piscine doit être démonté et rangé à l'intérieur.
  - **Mise en garde :** lisez les instructions avant d'utiliser l'appareil, de l'installer ou de le remonter à chaque fois.
  - Conservez les instructions. Si vous ne trouvez plus les instructions, veuillez contacter le fabricant ou les

chercher sur le site web [www.bestwaycorp.com](http://www.bestwaycorp.com)

- **Attention : Pour des raisons de sécurité électrique, un dispositif PRCD est intégré dans le cordon d'alimentation ; en cas de détection d'un courant de fuite supérieur à 10 mA, l'appareil fonctionnera et coupera l'alimentation électrique. Dans un tel cas, veuillez immédiatement débrancher le spa et arrêter de l'utiliser. Ne réinitialisez pas le produit vous-même. Vous devez contacter votre représentant local pour contrôler et réparer le produit.**
- Cet appareil peut être utilisé par les enfants de plus de 8 ans et par les personnes présentant des capacités physiques, sensorielles ou mentales réduites ou un manque d'expérience et de connaissances s'ils sont supervisés ou s'ils ont appris à utiliser l'appareil en toute sécurité et qu'ils sont conscients des risques que cela comporte. Il est interdit aux enfants de jouer avec l'appareil. Le nettoyage et la maintenance ne doivent pas être effectués par des enfants sans surveillance. (pour le marché UE)  
Cet appareil n'est pas prévu pour être utilisé par des personnes (y compris des enfants) présentant des capacités physiques, sensorielles ou mentales réduites ou un manque d'expérience et de connaissances à moins qu'ils soient supervisés par ou qu'ils aient appris à utiliser l'appareil avec une personne responsable de leur sécurité. Il faut surveiller les enfants pour s'assurer qu'ils ne jouent pas avec l'appareil. (pour le marché hors UE)
- Les enfants sont attirés par l'eau, fixez toujours une bâche sur le spa après chaque utilisation.
- N'enterrez pas le cordon. Placez le cordon de manière à minimiser les problèmes provoqués par des tondeuses, taille-haies ou autre équipement.
- Risque de noyade. Il faut faire extrêmement attention pour éviter tout accès non autorisé des enfants. Pour éviter les accidents, assurez-vous que les enfants ne puissent pas utiliser ce spa sans une surveillance constante.
- **RISQUE DE BLESSURE.** Ne faites jamais fonctionner le spa si les tuyaux d'entrée / de sortie sont cassés ou absents. Ne tentez jamais de remplacer les tuyaux d'entrée / de sortie. Adressez-vous toujours au service après-vente le plus proche.
- **RISQUE D'ÉLECTROCUTION.** Installez-le à au moins 2 m de toutes les surfaces métalliques.
- **RISQUE D'ÉLECTROCUTION.** N'utilisez jamais un appareil électrique quand vous êtes dans votre spa ou quand votre corps est mouillé. Ne laissez aucun appareil électrique, comme une lampe, un téléphone, une radio ou une télévision, à moins de 2 m d'un spa.
- Pour les femmes enceintes, le séjour dans l'eau chaude peut nuire au fœtus. Limitez l'utilisation à 10 minutes à la fois.
- **POUR RÉDUIRE LE RISQUE DE BLESSURE :**
  - A. L'eau d'un spa ne doit jamais dépasser 40 °C (104 °F). Les températures d'eau comprises entre 38 °C (100 °F) et 40 °C (104 °F) sont considérées comme étant sûres pour un adulte en bonne santé. Des températures d'eau plus basses sont recommandées pour les jeunes enfants et si le spa doit être utilisé plus de 10 minutes.
  - B. Étant donné que des températures d'eau excessives présentent un risque élevé de dommage au fœtus durant les premiers mois de la grossesse, les femmes enceintes ou potentiellement enceintes doivent limiter la température de l'eau du spa à 38 °C (100 °F).
  - C. Avant d'entrer dans le spa, l'utilisateur doit mesurer la température de l'eau avec un thermomètre précis étant donné que la tolérance des appareils de réglage de la température de l'eau varie.
  - D. L'utilisation d'alcool, de drogues ou de médicaments avant ou pendant l'utilisation du spa peut entraîner la perte de conscience et un risque de noyade.
  - E. Les personnes obèses et les personnes ayant des antécédents cardiaques, une pression sanguine basse ou élevée, des problèmes de circulation ou du diabète doivent consulter un médecin avant d'utiliser un spa.
  - F. Les personnes prenant des médicaments doivent consulter un médecin avant d'utiliser un spa, car certains médicaments peuvent induire une somnolence, tandis que d'autres peuvent affecter le rythme cardiaque, la pression sanguine et la circulation.
- **POUR RÉDUIRE LE RISQUE DE BLESSURE :** Ne versez jamais d'eau à une température de plus de 40 °C (104 °F) directement dans la piscine spa.
- L'utilisation d'alcool, de drogues ou de médicaments peut augmenter considérablement le risque d'hyperthermie mortelle. L'hyperthermie se produit quand la température du corps dépasse de plusieurs degrés la température normale du corps qui est de 37 °C (98,6 °F). Les symptômes d'hyperthermie comprennent augmentation de la température du corps, vertige, léthargie, somnolence et évanouissement. Les effets de l'hyperthermie comprennent l'incapacité de ressentir la chaleur, l'incapacité de comprendre qu'il est nécessaire de sortir du spa ou du bain chaud, l'ignorance du risque imminent, des dommages pour

le fœtus chez les femmes enceintes, l'incapacité physique de sortir du spa ou du bain chaud et l'inconscience pouvant entraîner la noyade.

- Les installations électriques doivent respecter les règles nationales de câblage, consultez un électricien qualifié si vous avez des questions.

### DEMANDEZ CONSEIL À VOTRE MÉDECIN.

#### ATTENTION :

- Le spa ne doit pas être installé ou stocké à des températures inférieures à 4 °C (40 °F).
- N'utilisez pas le spa seul.
- Les personnes porteuses de maladies infectieuses ne doivent pas utiliser le spa.
- N'utilisez pas le spa immédiatement après un effort intense.
- Entrez et sortez toujours du spa lentement et prudemment. Les surfaces mouillées sont glissantes.
- Pour éviter d'endommager la pompe, le spa ne doit jamais être utilisé s'il n'est pas rempli d'eau.
- Sortez immédiatement du spa si vous vous sentez mal à l'aise ou somnolent.
- Ne versez jamais d'eau sur les produits chimiques. Versez toujours les produits chimiques dans l'eau pour éviter les vapeurs intenses ou les réactions violentes pouvant entraîner une projection de produits chimiques.
- En ce qui concerne les informations relatives au nettoyage, à l'entretien de l'eau et à l'élimination de l'eau, veuillez consulter le paragraphe "ENTRETIEN".
- En ce qui concerne les informations relatives à l'installation, veuillez vous reporter au paragraphe ci-dessous dans la notice.

#### REMARQUE:

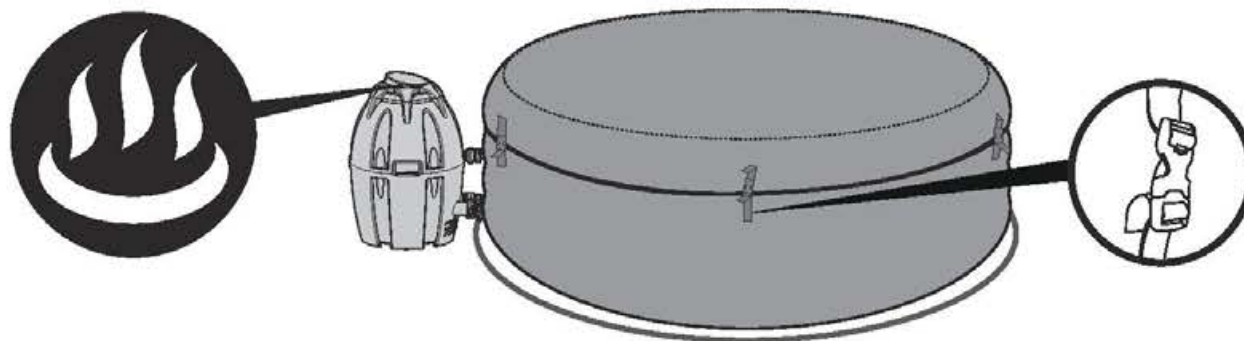
- Veuillez examiner l'équipement avant de l'utiliser. Écrivez à Bestway à l'adresse du service après-vente indiqué dans ce manuel si des pièces sont abîmées ou manquantes au moment de l'achat. Vérifiez que les composants d'équipement correspondent aux modèles que vous souhaitez acheter.
- Ce produit n'est pas destiné à un usage commercial.

## CONSERVEZ CES INSTRUCTIONS

### IMPORTANT !

Pour atteindre 40 °C (104 °F), la durée requise de chauffage se base sur la température de l'eau au départ et sur la température ambiante, les informations fournies ci-dessous ne le sont qu'à titre de référence. Pour afficher la température actuelle de l'eau, faites fonctionner le système de filtration pendant au moins une minute.

Température ambiante	Température de l'eau	Température configurée	Durée de chauffage
10 °C(50 °F)	10 °C(50 °F)	40 °C(104 °F)	18,5 h
15 °C(59 °F)	15 °C(59 °F)	40 °C(104 °F)	15 h
20 °C(68 °F)	20 °C(68 °F)	40 °C(104 °F)	11,5 h
25 °C(77 °F)	25 °C(77 °F)	40 °C(104 °F)	8,5 h
30 °C(86 °F)	30 °C(86 °F)	40 °C(104 °F)	5,5 h

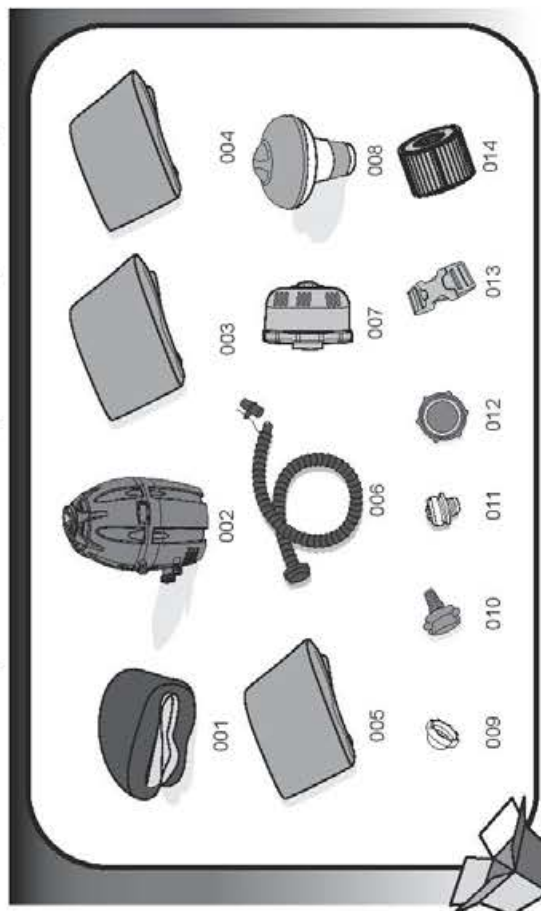


Vérifiez que vous avez bien couvert le spa avec la bâche du spa quand la fonction de chauffage est activée. Si vous ne couvrez pas le spa, il faudra plus de temps pour le chauffer. Veuillez ne pas utiliser le spa quand la température ambiante est inférieure à 4 °C (39 °F).

## SPÉCIFICATIONS POUR LAY-Z-SPA™ VEGAS AirJet (n° 54112)

Capacité :	4-6 adultes	Ventilateur de massage turbo :	800 W	Vitesse de chauffage :	Environ 1,5-2 °C/h (3-4 °F/h)
Capacité en eau (80%) :	935 L (247 gal)	Élément chauffant :	2000 W à 20 °C	Débit d'eau réel :	1325 L/h (350 gal/h)
Taille gonflé :	1,96 m x 61 cm (77" x 24")	Pompe :	Pompe de circulation à filtre 50 W	Puissance :	220-240 V CA, 2050 W à 20 °C
Poids rempli :	965 kg (2130 Lb)	Capacité de température :	40 °C (104 °F)	Pression de service :	0,8 PSI (0,055 Bar)

**REMARQUE :** le taux de chauffage ci-dessus se base sur un essai en laboratoire effectué avec une température ambiante supérieure ou égale à 25 °C (77 °F).

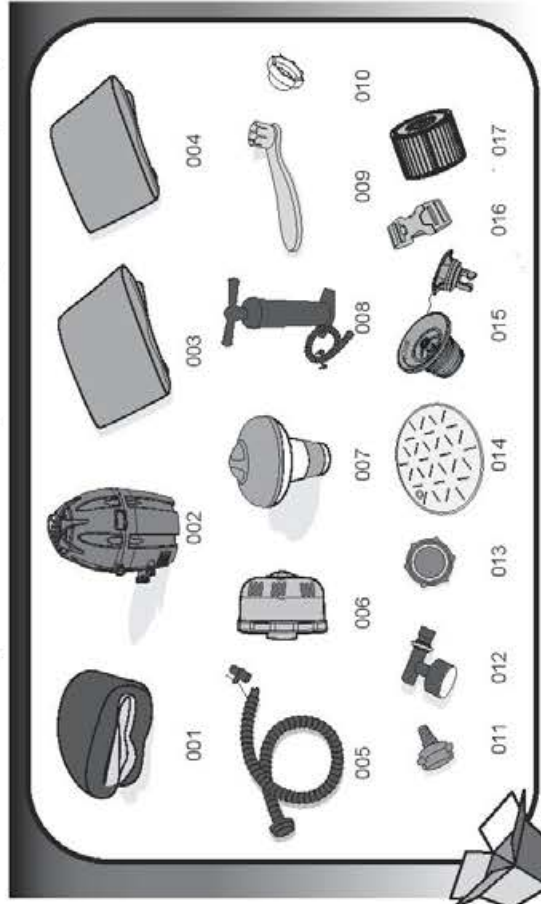


N° de la pièce	Code de la pièce	Description	Q.TÉ
001	54112TASS15	Bâche de piscine	1
002	P4-H054ASS17	Chauffage de spa	1
003	P5H284GASS17	Bâche supérieure en similicuir	1
004	P5H284TASS17	Bâche en similicuir avec revêtement	1
005	54112GASS15	Bâche gonflable	1
006	P6931	Tuyau de gonflage	1
007	P6653	Groupe filtre	1
008	58426S17	Flotteur chimique	1
009	P6575	Bouchons	2
010	P6932	Adaptateur du tuyau	1
011	F4A024ASS	Soupape à vis	1
012	P6611	Adaptateur de la bâche A	1
013	F6414ASS	Boucle	8
014	58323	Cartouche de filtre (VI)	2

## SPÉCIFICATIONS POUR LAY-Z-SPA™ MONACO AirJet (n° 54113)

Capacité :	6-8 adultes	Ventilateur de massage turbo :	800 W	Vitesse de chauffage :	Environ 1,0-1,5 °C/h (2-3 °F/h)
Capacité en eau (80%) :	1453 L (384 gal)	Élément chauffant :	2000 W à 20 °C	Débit d'eau réel :	1325 L/h (350 gal/h)
Taille gonflé :	2,01 m x 69 cm (79" x 27")	Pompe :	Pompe de circulation à filtre 50 W	Puissance :	220-240 V CA, 2050 W à 20 °C
Poids rempli :	1490 kg (3284 Lb)	Capacité de température :	40 °C (104 °F)	Pression de service :	7 PSI-10 PSI (0,48 Bar-0,69 Bar)

**REMARQUE :** le taux de chauffage ci-dessus se base sur un essai en laboratoire effectué avec une température ambiante supérieure ou égale à 25 °C (77 °F).

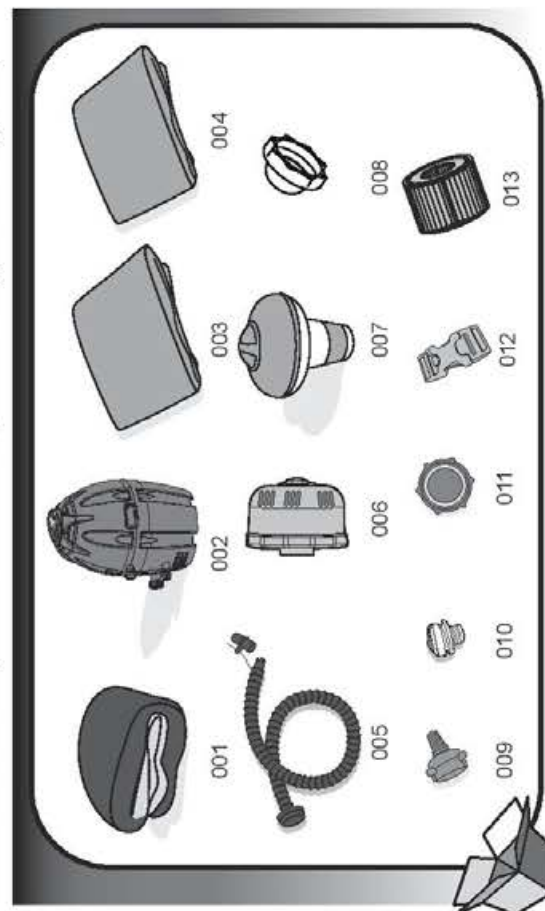


N° de la pièce	Code de la pièce	Description	Q.TÉ
001	54113TASS17	Bâche de piscine	1
002	P4D148ASS17	Chauffage de spa	1
003	P5D288ASS17	Bâche supérieure en similicuir	1
004	54113GASS17	Bâche gonflable	1
005	P6931	Tuyau de gonflage	1
006	P6653	Groupe filtre	1
007	58426S17	Flotteur chimique	1
008	P3054Q17	Pompe à main haute pression	1
009	F6H189ASS15	Clé anglaise	1
010	P6575	Bouchons	2
011	P6932	Adaptateur du tuyau	1
012	P6608	Manomètre	1
013	P6611	Adaptateur de la bâche A	1
014	12632ASS15	Coussins gonflés	4
015	P6H-971	Vanne de gonflage	1
016	F6414ASS	Boucle	6
017	58323	Cartouche de filtre (VI)	2

## SPÉCIFICATIONS POUR LAY-Z-SPA™ MIAMI AirJet (n° 54123)

Capacité :	2-4 adultes	Ventilateur de massage turbo :	800 W	Vitesse de chauffage :	Environ 1,5-2 °C/h (3-4 °F/h)
Capacité en eau (80%) :	669 L (177 gal)	Élément chauffant :	2000 W à 20 °C	Débit d'eau réel :	1325 L/h (350 gal/h)
Taille gonflé :	1,80 m x 66 cm (71" x 26")	Pompe :	Pompe de circulation à filtre 50 W	Puissance :	220-240 V CA, 2050 W à 20 °C
Poids rempli :	696 kg (1534 Lb)	Capacité de température :	40 °C (104°F)	Pression de service :	0,8 PSI (0,055 Bar)

**REMARQUE :** le taux de chauffage ci-dessus se base sur un essai en laboratoire effectué avec une température ambiante supérieure ou égale à 25 °C (77 °F).

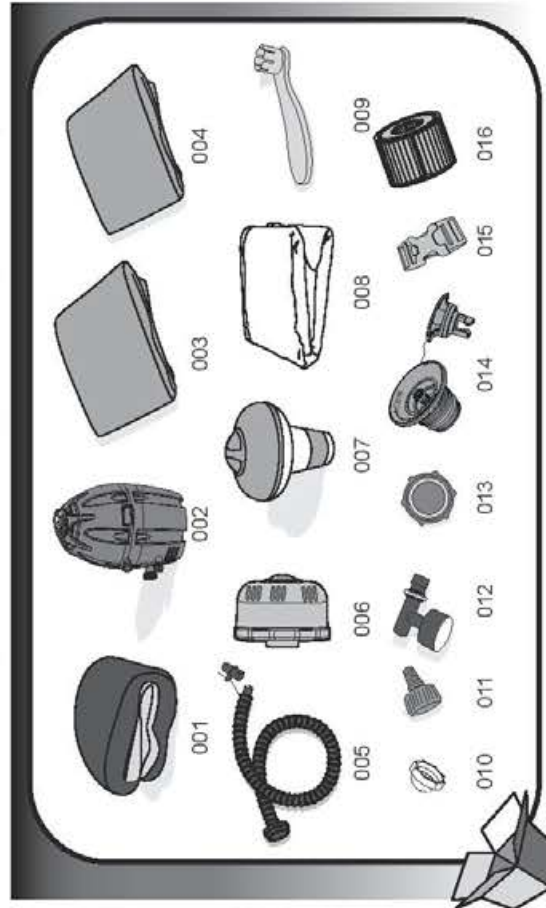


N° de la pièce	Code de la pièce	Description	Q.TÉ
001	54123TASS17	Bâche de piscine	1
002	P4H054ASS17	Chauffage de spa	1
003	P5C364ASS17	Couverture renforcée en haut	1
004	54123GASS17	Bâche gonflable	1
005	P6931	Tuyau de gonflage	1
006	P6653	Groupe filtre	1
007	58426S17	Flotteur chimique	1
008	P6575	Bouchons	2
009	P6932	Adaptateur du tuyau	1
010	F4024ASS	Soupape à vis	1
011	P6611	Adaptateur de la bâche A	1
012	F6414ASS	Boucle	6
013	58323	Cartouche de filtre (VI)	2

## SPECIFICATIONS FOR LAY-Z-SPA™ PALM SPRINGS AirJet (#54129)

Capacité :	4-6 adultes	Ventilateur de massage turbo :	800 W	Vitesse de chauffage :	Environ 1,5-2 °C/h (3-4 °F/h)
Capacité en eau (80%) :	916 L (242 gal)	Élément chauffant :	2000 W à 20 °C	Débit d'eau réel :	1325 L/h (350 gal/h)
Taille gonflé :	1,96 m x 71 cm (77" x 28")	Pompe :	Pompe de circulation à filtre 50 W	Puissance :	220-240 V CA, 2050 W à 20 °C
Poids rempli :	954 kg (2103 Lb)	Capacité de température :	40 °C (104 °F)	Pression de service :	1,2 PSI (0,08 Bar)

**REMARQUE :** le taux de chauffage ci-dessus se base sur un essai en laboratoire effectué avec une température ambiante supérieure ou égale à 25 °C (77 °F).

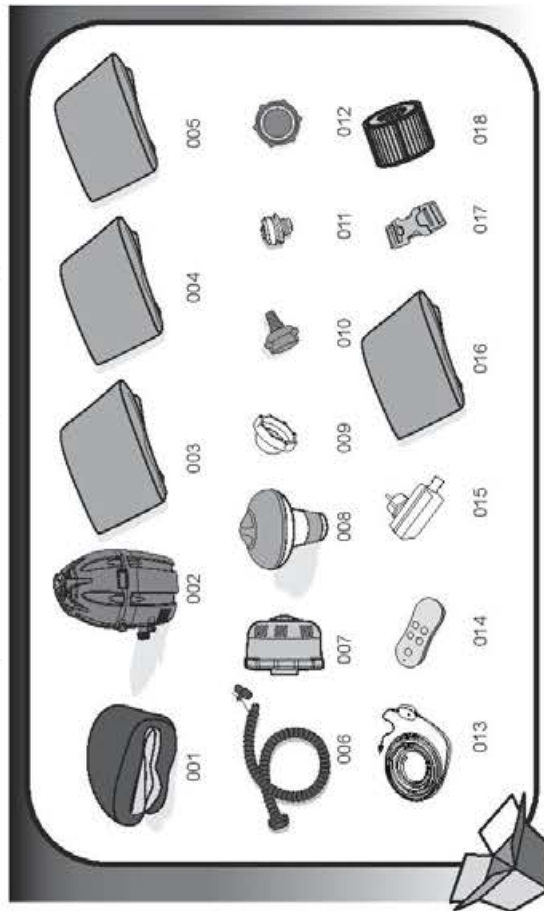


N° de la pièce	Code de la pièce	Description	Q.TÉ
001	54129TASS17	Bâche de piscine	1
002	P4E079ASS17	Chauffage de spa	1
003	P5B401ASS17	Bâche supérieure en similicuir	1
004	54129GASS17	Bâche gonflable	1
005	P6930	Tuyau de gonflage	1
006	P6653	Groupe filtre	1
007	58426S17	Flotteur chimique	1
008	58321(H)S15	Tapis de sol	1
009	F6H189ASS15	Clé anglaise	1
010	P6575	Bouchons	2
011	P6H565	Adaptateur du tuyau	1
012	P6T199	Manomètre	1
013	P6611	Adaptateur de la bâche A	1
014	P6H971	Vanne de gonflage	1
015	F6414ASS	Boucle	6
016	58323	Cartouche de filtre (VI)	2

## SPÉCIFICATIONS POUR LAY-Z-SPA™ PARIS AirJet (n° 54148)

Capacité :	4-6 adultes	Ventilateur de massage turbo :	800 W	Vitesse de chauffage :	Environ 1,5-2 °C/h (3-4 °F/h)
Capacité en eau (80%) :	806 L (213 gal)	Élément chauffant :	2000 W à 20 °C	Débit d'eau réel :	1325 L/h (350 gal/h)
Taille gonflé :	1,96 m x 66 cm (77" x 26")	Pompe :	Pompe de circulation à file 50W	Puissance :	220-240 V CA, 2050 W à 20 °C
Poids rempli :	840 kg (1851 Lb)	Capacité de température :	40 °C (104 °F)	Pression de service :	0,8 PSI (0,055 Bar)

**REMARQUE :** le taux de chauffage ci-dessus se base sur un essai en laboratoire effectué avec une température ambiante supérieure ou égale à 25 °C (77 °F).

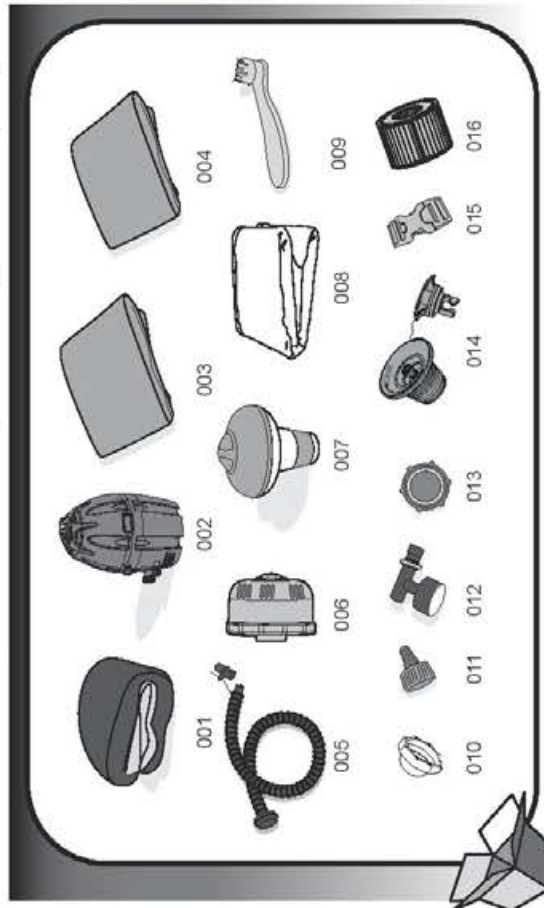


N° de la pièce	Code de la pièce	Description	Q.TÉ
001	54148TASS16	Bâche de piscine	1
002	P4H054AASS17	Chauffage de spa	1
003	P5H284GASS17	Bâche supérieure en similicuir	1
004	P5H513TASS17	Bâche en similicuir	1
005	54148GASS16	Bâche gonflable	1
006	P6931	Tuyau de gonflage	1
007	P6653	Groupe filtre	1
008	58426S17	Flotteur chimique	1
009	P6575	Bouchons	2
010	P6932	Adaptateur du tuyau	1
011	F4A024AASS	Soupape à vis	1
012	P6611	Adaptateur de la bâche A	1
013	P61670	Chaîne LED	1
014	P61232	Télécommande	1
015	P61671	Transformateur	1
016	58321(H)S15	Tapis de sol	1
017	F6414AASS	Boucle	8
018	58323	Cartouche de filtre (VI)	2

## SPÉCIFICATIONS POUR LAY-Z-SPA™ Hawaii AirJet (n° 54154)

Capacité :	4-6 adultes	Ventilateur de massage turbo :	800 W	Vitesse de chauffage :	Environ 1,5-2 °C/h (3-4 °F/h)
Capacité en eau (80%) :	806 L (213 gal)	Élément chauffant :	2000 W à 20 °C	Débit d'eau réel :	1325 L/h (350 gal/h)
Taille gonflé :	1,80 m x 1,80 m x 71 cm (71" x 71" x 28")	Pompe :	Pompe de circulation à file 50 W	Puissance :	220-240 V CA, 2050 W à 20 °C
Poids rempli :	879 kg (1938 Lb)	Capacité de température :	40 °C (104 °F)	Pression de service :	1,2 PSI (0,08 Bar)

**REMARQUE :** le taux de chauffage ci-dessus se base sur un essai en laboratoire effectué avec une température ambiante supérieure ou égale à 25 °C (77 °F).



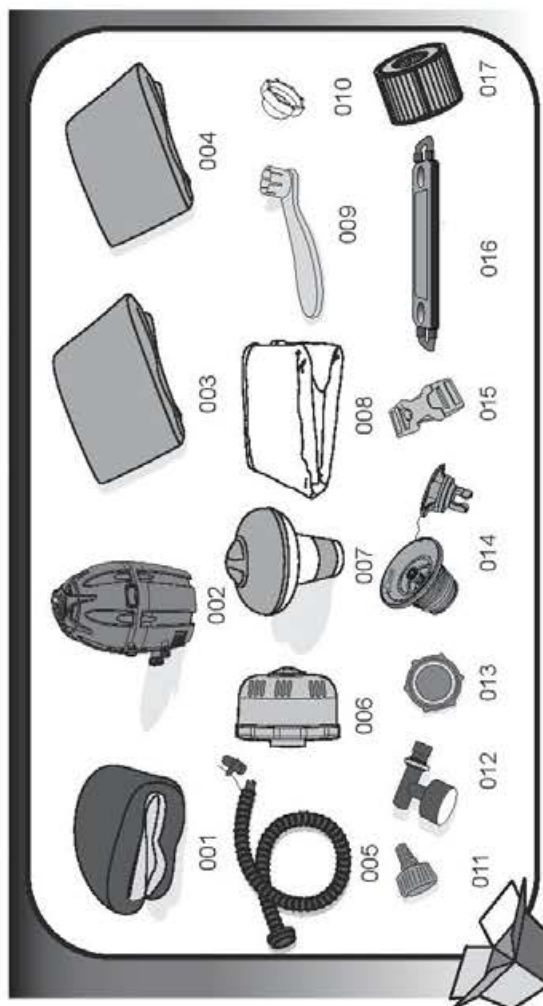
N° de la pièce	Code de la pièce	Description	Q.TÉ
001	54154TASS17	Bâche de piscine	1
002	P4D148AASS17	Chauffage de spa	1
003	P5D588GASS17	Bâche supérieure en similicuir	1
004	54138GASS17	Bâche gonflable	1
005	P6930	Tuyau de gonflage	1
006	P6653	Groupe filtre	1
007	58426S17	Flotteur chimique	1
008	58371(H)S15	Tapis de sol	1
009	F6H189AASS15	Clé anglaise	1
010	P6575	Bouchons	2
011	P6H565	Adaptateur du tuyau	1
012	P61199	Manomètre	1
013	P6611	Adaptateur de la bâche A	1
014	P6H971	Vanne de gonflage	1
015	F6414AASS	Boucle	8
016	58323	Cartouche de filtre (VI)	2



## SPÉCIFICATIONS POUR LAY-Z-SPA™ Sienna AirJet (n° 54156)

Capacité :	2 adultes	Ventilateur de massage turbo :	800 W	Vitesse de chauffage :	Environ 2-2,5 °C/h (3,5-4,5 °F/h)
Capacité en eau (80%) :	509 L (134 gal)	Élément chauffant :	2000 W à 20 °C	Débit d'eau réel :	1325 L/h (350 gal/h)
Taille gonflé :	2,49 m x 1,49 m x 66 cm (98" x 59" x 26")	Pompe :	Pompe de circulation à filtre 50 W	Puissance :	220-240 V CA, 2,050 W à 20 °C
Poids rempli :	548 kg (1205 lb)	Capacité de température :	40 °C (104 °F)	Pression de service :	1,2PSI (0,08Bar)

**REMARQUE :** le taux de chauffage ci-dessus se base sur un essai en laboratoire effectué avec une température ambiante supérieure ou égale à 25 °C (77 °F).



N° de la pièce	Code de la pièce	Description	Q.TÉ
001	54156TASS17	Bâche de piscine	1
002	P4H054ASS17	Chauffage de spa	1
003	P5694ASS17	Bâche supérieure en similicuir	1
004	54156GASS17	Bâche gonflable	1
005	P6930	Tuyau de gonflage	1
006	P6653	Groupe filtre	1
007	58426S17	Floqueur chimique	1
008	P5696	Tapis de sol	1
009	F6H189ASS15	Clé anglaise	1
010	P6675	Bouchons	2
011	P6H565	Adaptateur du tuyau	1
012	P61199	Manomètre	1
013	P6611	Adaptateur de la bâche A	1
014	P6H971	Vanne de gonflage	1
015	F6414ASS	Boucle	8
016	P5595	Table pour les boissons	1
017	58323	Cartouche de filtre (VI)	2

## INSTALLATION

### Emplacement choisi

**ATTENTION :** l'emplacement choisi doit être capable de supporter le poids prévu.

**ATTENTION :** un système de vidange approprié pour gérer l'eau de débordement doit être prévu pour les installations situées à l'intérieur et à l'extérieur.

**IMPORTANT :** en raison du poids combiné du Lay-Z-Spa, de l'eau et des utilisateurs, il est extrêmement important que la base où le Lay-Z-Spa est installée soit lisse, plate, à niveau et capable de supporter uniformément le poids pendant tout le temps où le Lay-Z-Spa sera installé (pas sur un tapis ou une autre matière similaire). Si le Lay-Z-Spa est placé sur une surface qui ne répond pas à ces exigences, tout dégât matériel provoqué par un support inapproprié n'est pas couvert par la garantie du fabricant. Il incombe au propriétaire du Lay-Z-Spa de vérifier à tout moment que le site est en bon état.

### 1. Installation à l'intérieur :

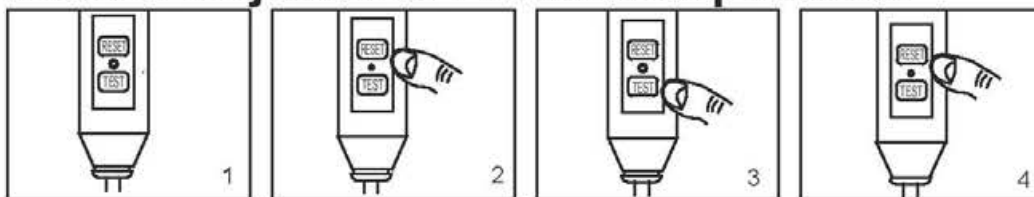
**Tenez compte des exigences spéciales si vous installez le spa à l'intérieur.**

- L'humidité est un effet secondaire naturel de l'installation du Lay-Z-Spa. Déterminez les effets de l'humidité transmise dans l'air sur le bois apparent, le papier, etc. à l'emplacement proposé. Pour minimiser ces effets, il convient de fournir une bonne aération de l'espace choisi. Un architecte peut vous aider à déterminer plus d'aération est nécessaire.

### 2. Installation à l'extérieur :

- Durant le remplissage, la vidange ou quand le spa est utilisé, de l'eau peut déborder du spa. Il faut donc installer le Lay-Z-Spa près d'une bonde de sol.
- Ne laissez pas la surface du spa en plein soleil pendant de longues périodes.

## Test du disjoncteur différentiel portable



**REMARQUE :** les dessins ne sont qu'à titre d'illustration. Il peut arriver qu'ils ne reflètent pas le produit réel. Pas à l'échelle.

1. Branchez la fiche.
2. Appuyez sur la touche "RESET" ; le voyant s'allume.
3. Appuyez sur la touche "TEST" ; le voyant s'éteint.
4. Appuyez sur la touche "RESET" ; le voyant s'allume.
5. Appuyez sur le bouton "On/Off" pendant 2 secondes ; la pompe est prête à l'emploi.



**ATTENTION :** La prise du disjoncteur différentiel doit être testée avant chaque utilisation pour éviter tout risque d'électrocution.

**ATTENTION :** avant de brancher la fiche dans la prise de courant, vérifiez que l'intensité du courant dans la prise soit adaptée à la pompe.

**ATTENTION :** En cas d'échec de ce test, n'utilisez pas la pompe et contactez notre service après-vente.

**REMARQUE :** quand vous gonflerez, vous remarquerez que l'air sera expulsé de l'endroit où le tuyau d'air est raccordé à la pompe, c'est normal pour des exigences techniques.

**REMARQUE :** n'utilisez pas de compresseur à air pour gonfler la piscine.

**REMARQUE :** ne traînez pas la piscine sur un sol accidenté car cela peut endommager la bâche de la piscine.

**REMARQUE :** le temps de gonflage n'est fourni qu'à titre de référence.

**REMARQUE :** le manomètre n'est prévu que pour le gonflage et la valeur du manomètre sert uniquement de référence, il ne faut pas l'utiliser comme instrument de précision.

**Contrôle de la vanne d'air (pour le spa avec une vanne de gonflage/dégonflage rapide)** Contrôlez toujours soigneusement la vanne d'air avant de gonfler pour vous assurer qu'il n'y ait pas de fuite d'air. Si la vanne d'air est desserrée, servez-vous de la clé fournie avec pour serrer la vanne d'air en suivant ces étapes :

D'une main, tenez le côté arrière de la vanne d'air de l'intérieur de la paroi du spa et tournez la clé dans le sens des aiguilles d'une montre.

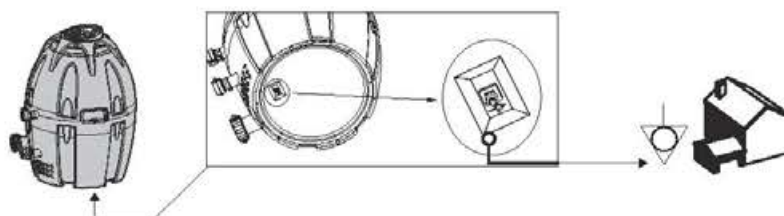


**REMARQUE :**

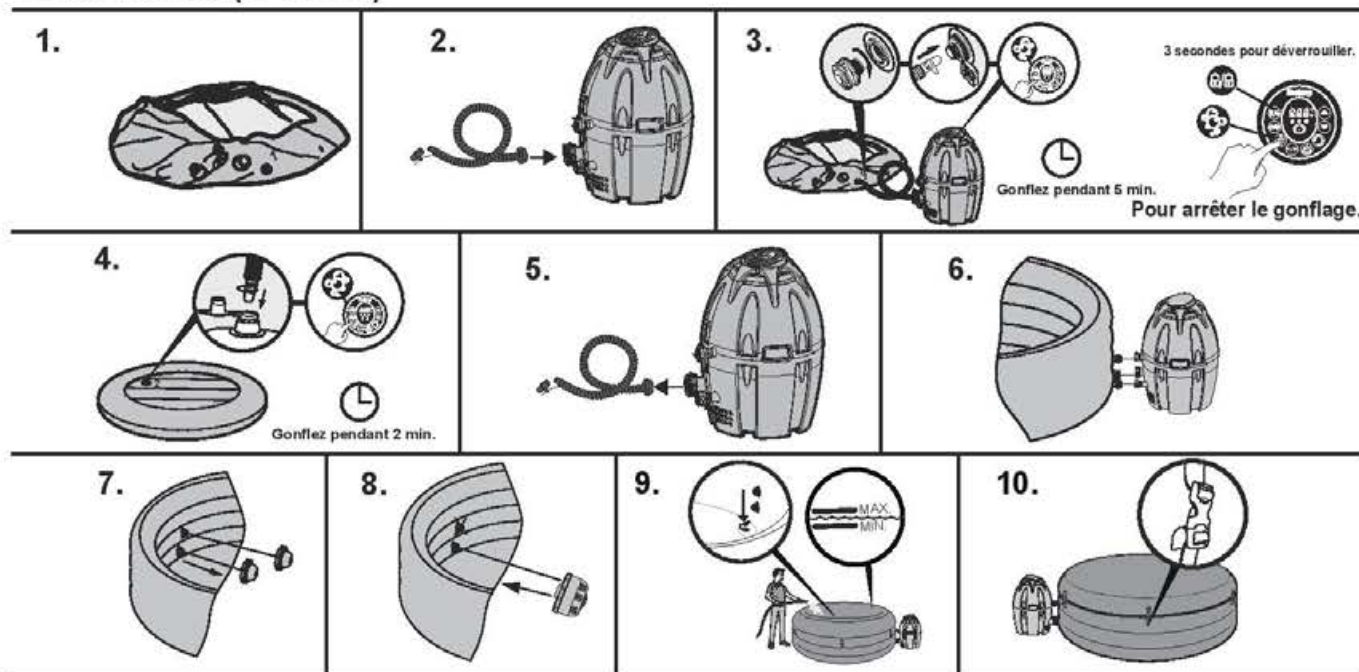
1. Ne serrez pas trop.
2. Ne réglez pas le connecteur de la vanne d'air quand vous utilisez le spa.

## TERMINAL DE LIAISON ÉQUIPOTENTIELLE DE LA POMPE DU SPA

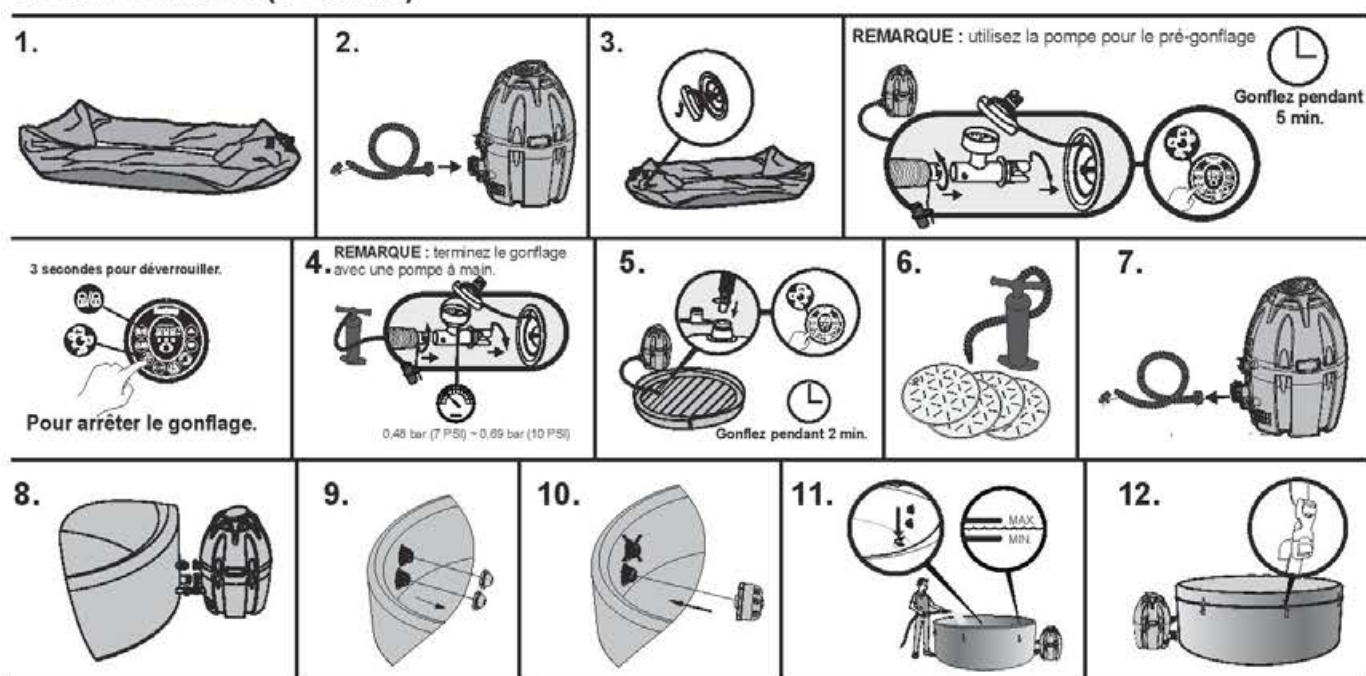
Il est recommandé de contacter un électricien expérimenté pour brancher la pompe du SPA au dispositif de mise à la terre au moyen d'un conducteur en cuivre massif de 2,5 mm<sup>2</sup> (minimum).



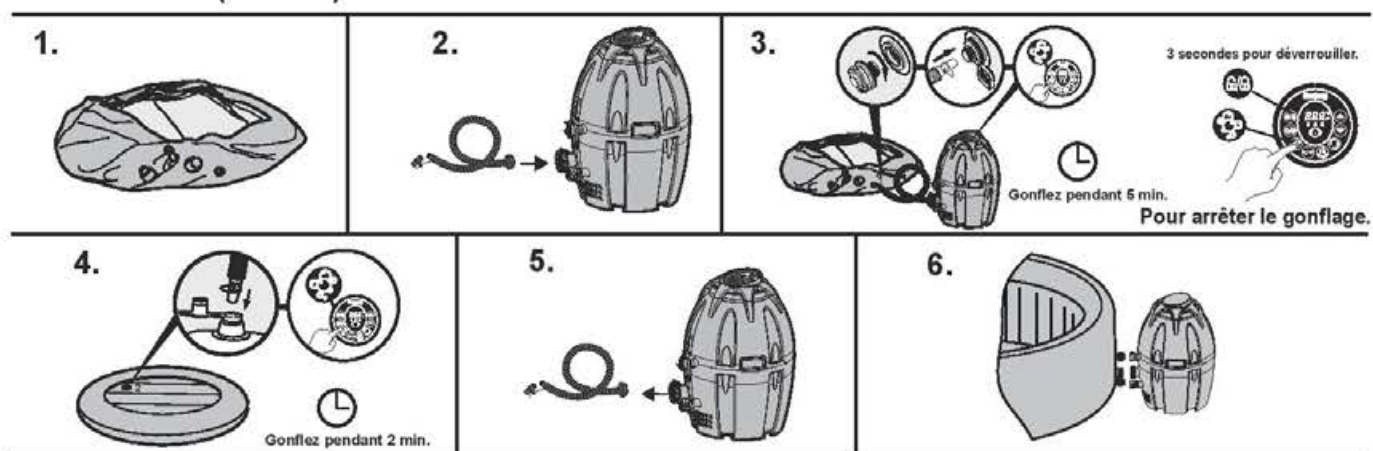
## VEGAS AirJet (n° 54112)

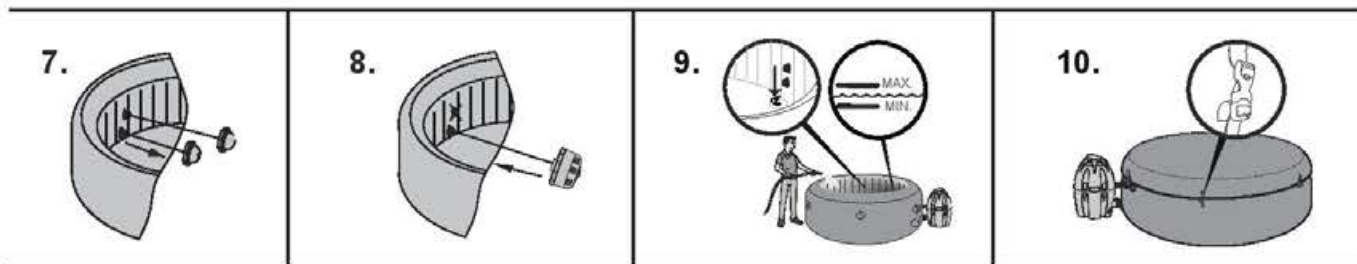


## MONACO AirJet (n° 54113)

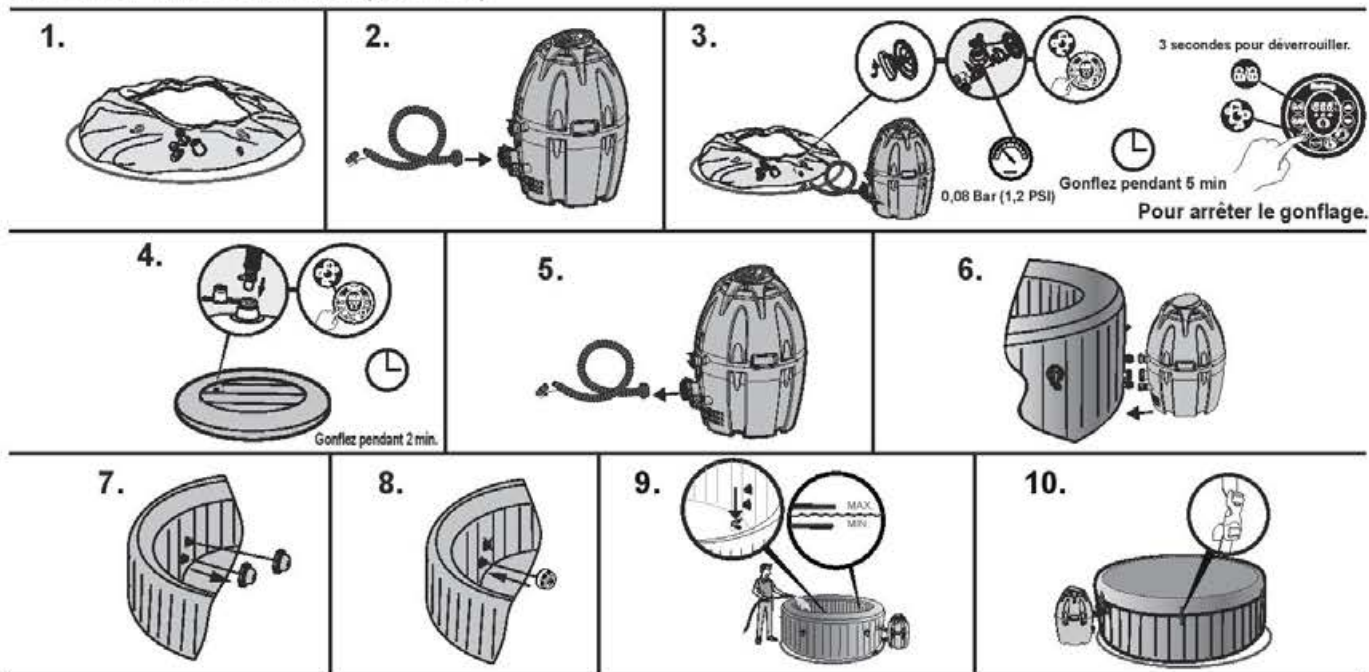


## MIAMI AirJet (#54123)

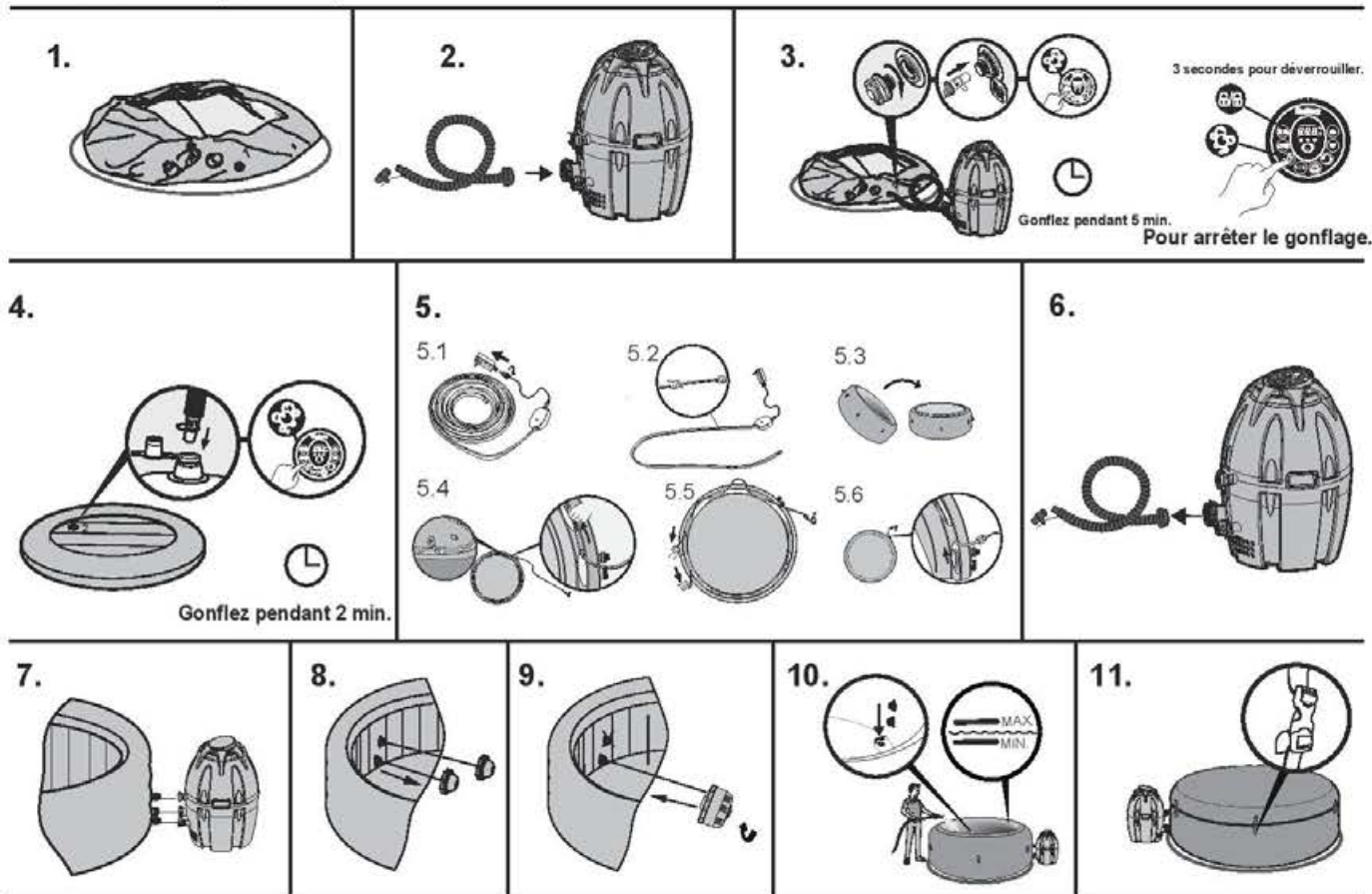




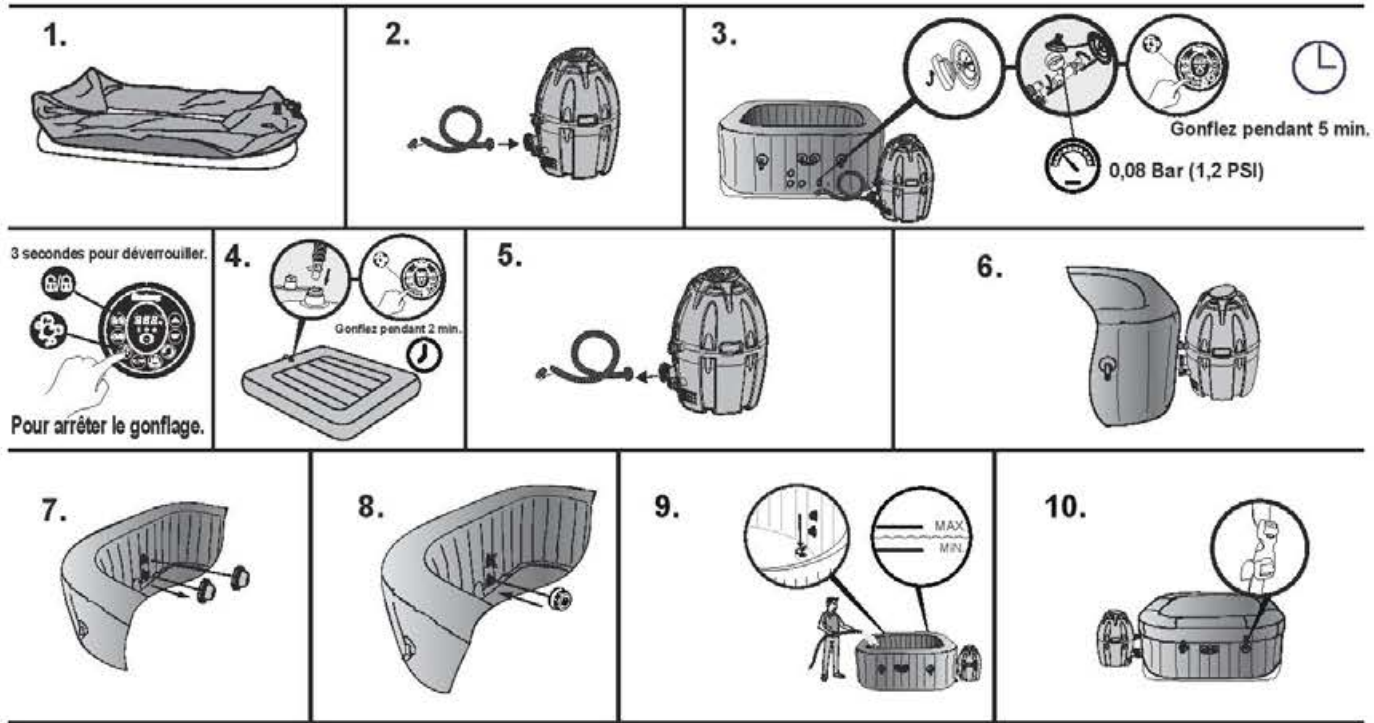
**PALM SPRINGS AirJet (#54129)**



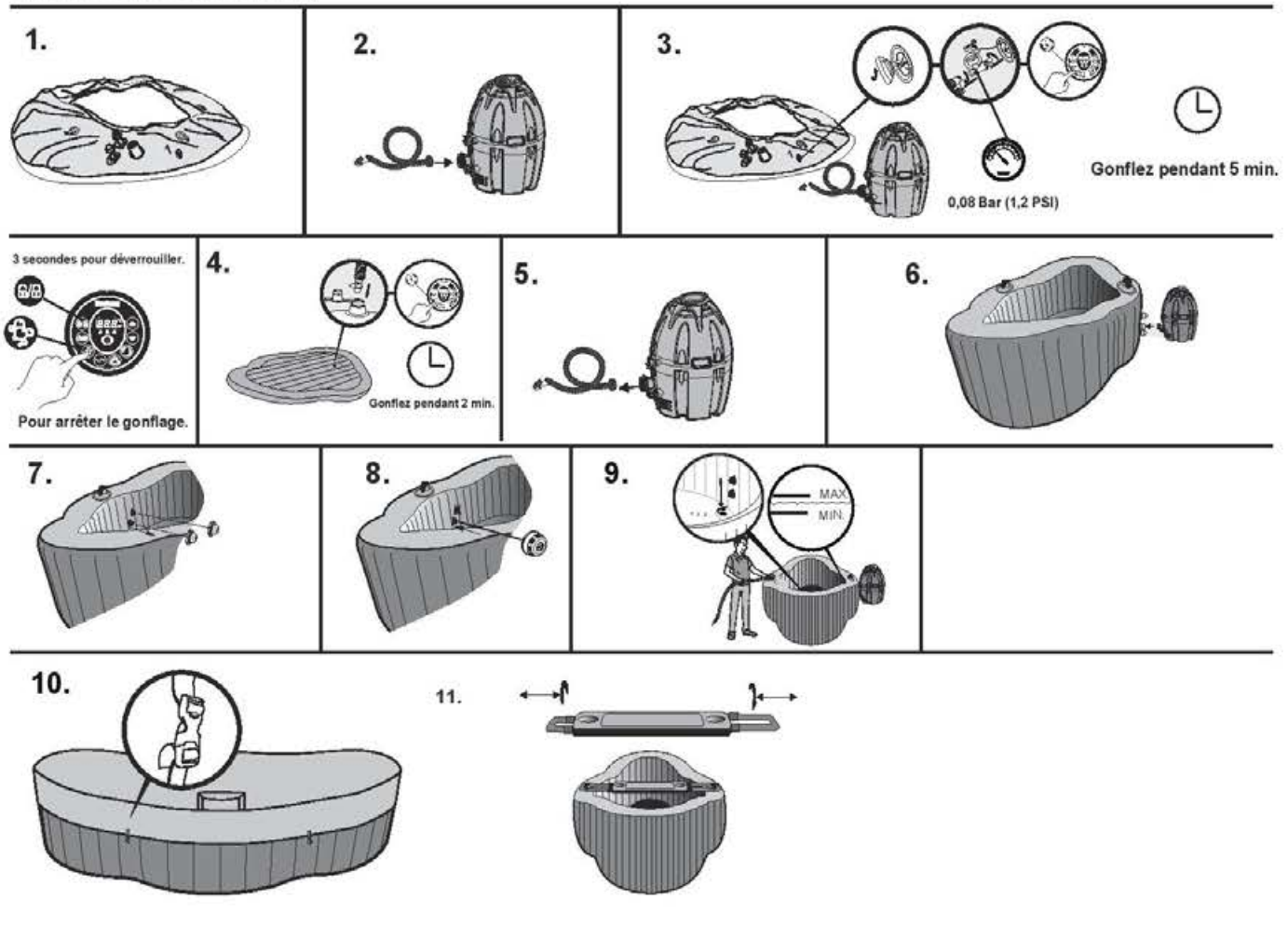
**PARIS AirJet (#54148)**



## HAWAII AirJet (#54154)



## SIENA AirJet (#54156)



## FONCTIONNEMENT DE LA POMPE

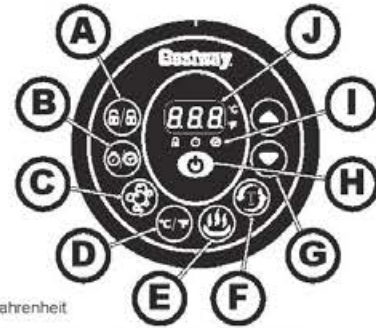
### Réinitialisation du chauffage

Lorsque vous utilisez le Lay-Z-Spa pour la première fois, ou après une longue période d'inactivité, assurez-vous que vous avez bien appuyé sur le bouton de réinitialisation de la pompe au moyen d'un petit objet fin.

#### BOUTON DE RÉINITIALISATION

##### CONSIGNES IMPORTANTES POUR L'UTILISATION

Si la température du tableau de commande (ou la température de l'eau) n'a pas changé 4 à 5 heures après l'activation du système de chauffage, utilisez un objet fin pour appuyer sur le BOUTON DE RÉINITIALISATION (RESET) et redémarrez le système de chauffage. **IMPORTANT** : le système de chauffage ne fonctionnera pas si la température extérieure est supérieure à 40 °C (104 °F) ou si le Lay-Z-Spa se trouve en plein soleil. Dans ces conditions, veuillez attendre un moment de la journée plus frais avant d'appuyer sur le BOUTON DE RÉINITIALISATION avec un objet fin et de redémarrer le système de chauffage.



### A Bouton de verrouillage/déverrouillage

La pompe a un verrouillage automatique de 5 minutes. La lumière du LED déclinera quand la pompe est verrouillée (aucune fonction n'est activée). Pour verrouiller ou déverrouiller la pompe, placez un doigt sur le bouton de verrouillage/déverrouillage pendant 3 secondes.

### B Bouton minuterie économie d'énergie

Il s'agit d'une nouvelle fonction conçue pour éviter de gaspiller l'énergie en définissant l'heure et la durée du cycle de chauffage du spa. Ceci vous permettra de profiter de votre spa quand vous le souhaitez sans avoir à laisser le chauffage allumé en permanence.

#### ÉTAPE 1 : Définir la durée de chauffage

- Appuyez sur le bouton le LED commence à clignoter.
- Appuyez sur le bouton ou pour ajuster la durée du chauffage (de 1 à 48 heures).
- Appuyez à nouveau sur le bouton pour confirmer la durée de chauffage.

#### ÉTAPE 2 : Définissez dans combien d'heures À PARTIR DE MAINTENANT le chauffage doit s'activer

- Après avoir réglé la durée du chauffage, le LED se met à clignoter.
- Appuyez sur les boutons ou pour ajuster les heures jusqu'au moment de l'activation (de 0 à 99 heures).
- Appuyez à nouveau sur le bouton ou ne touchez rien pendant 10 secondes pour valider la configuration. Le LED s'allumera en continu et le compte à rebours jusqu'à l'activation du chauffage commencera.

**Pour modifier les paramètres de la minuterie** : appuyez sur le bouton et utilisez le bouton ou pour effectuer le réglage.

**Annuler le paramètre** : appuyez sur le bouton pendant 2 secondes.

**REMARQUE** : après avoir effectué le réglage, l'écran affiche alternativement la température actuelle et l'heure.

**REMARQUE** : la minuterie (durée pendant laquelle le chauffage est ACTIVÉ) peut être réglée entre 0 et 48 heures ; l'ajustement du temps de réserve (dans combien d'heures À PARTIR DE MAINTENANT le chauffage commencera à fonctionner) peut être réglé entre 0 et 99 heures. Si la minuterie est réglée sur 0 heure, le système de chauffage se déclenchera immédiatement.

Notez que la minuterie n'est valable qu'une fois par utilisation : l'utilisateur règle la durée du cycle de chauffage et le nombre d'heures jusqu'au moment où le cycle de chauffage commencera. La minuterie NE SE répète PAS tant qu'elle n'est pas réinitialisée.

### C Bouton du système Lay-Z-Massage

Utilisez ce bouton pour activer le système de massage, qui a une fonction de coupure automatique de 30 minutes. Le voyant situé au-dessus du bouton du système Lay-Z-Massage devient rouge quand il est activé.

**IMPORTANT** : ne faites pas fonctionner le système Lay-Z-Massage quand la bache est fixée. De l'air peut s'accumuler à l'intérieur du spa et provoquer des dégâts irréparables ainsi que des blessures.

**REMARQUE** : la chaise et le système de massage collaborent pour créer une expérience de massage chaud.



### D Commutation Celsius/Fahrenheit

La température peut être affichée soit en Fahrenheit soit en Celsius.

### E Bouton de chauffage

Utilisez ce bouton pour activer le système de chauffage. Quand le voyant au-dessus du bouton de chauffage est rouge, le système de chauffage est activé. Quand le voyant est vert, l'eau se trouve à la température configurée et le système de chauffage est à l'arrêt.

**REMARQUE** : si le système de chauffage est activé, le système de filtration démarre automatiquement.

**REMARQUE** : après avoir éteint le système de chauffage, le système de filtration continuera à fonctionner.

### F Bouton Filtre à eau

Ce bouton allume et éteint la pompe de filtration. Le voyant situé au-dessus du bouton de filtration d'eau devient rouge quand il est activé.

### G Boutons de réglage de la température

En appuyant sur les boutons pour augmenter ou diminuer la température, le LED se mettra à clignoter. Quand il clignote, vous pouvez régler la température souhaitée. Si vous maintenez ces boutons enfoncés, les valeurs augmenteront ou diminueront rapidement. La configuration de la nouvelle température souhaitée restera sur l'afficheur à LED pendant 3 secondes pour confirmer la nouvelle valeur.

**REMARQUE** : la température par défaut est de 35 °C (95 °F).

**REMARQUE** : les plages de réglage de la température vont de 20 °C (68 °F) à 40 °C (104 °F).

### H Bouton marche/arrêt

Appuyez sur ce bouton pendant 2 secondes pour activer les boutons du tableau de commande et le voyant devient vert. Appuyez sur ce bouton pendant 2 secondes pour arrêter toutes les fonctions actuellement activées.

### I LED minuterie économie d'énergie

Le clignotement de ce LED veut dire que vous êtes en train de configurer la durée de chauffage. Le voyant sera allumé quand la fonction de chauffage commence à fonctionner.

Le clignotement de ce LED veut dire que vous êtes en train de configurer dans combien d'heures À PARTIR DE MAINTENANT le chauffage doit s'activer. Quand le voyant est allumé, la fonction minuterie économie d'énergie est configurée.

### J Affichage LED

Une fois qu'il est mis sous tension, le LED affiche automatiquement la température actuelle de l'eau.

Au bout de 72 heures de filtration (sans utiliser la fonction minuterie économie d'énergie), la pompe hibernera et l'inscription "End" (Fn) clignotera avec la température actuelle de l'eau. Quand la pompe hiberne, les fonctions de filtration de l'eau et de chauffage sont toutes les deux désactivées. Pour réactiver la pompe, appuyez sur le bouton de verrouillage/déverrouillage pendant 3 secondes.

**REMARQUE** : le taux de chauffage de l'eau peut changer dans les conditions ci-dessous :

• Quand la température extérieure est inférieure à 15 °C (59 °F).

• Si la bache n'est pas positionnée quand on active la fonction de chauffage.

**REMARQUE** : pour afficher la température actuelle de l'eau, faites fonctionner le système de filtration pendant au moins une minute. La température de l'eau telle qu'elle est testée par un thermomètre extérieur peut varier par rapport à la température affichée sur le tableau du spa d'environ 2 °C.

## Alarmes

Causes	Motifs	Solutions
<b>EO1</b> Les capteurs du débit d'eau fonctionnent sans appuyer sur le bouton du filtre ou de chauffage.	1. Les bannières des capteurs du débit d'eau ne sont pas retournées dans la position correcte. 2. Les capteurs du débit d'eau sont cassés.	1. Débranchez la fiche délicatement, donnez un coup léger sur le côté de la pompe et rebranchez-la. 2. Contactez le service après-vente Bestway le plus proche pour connaître les instructions.
<b>EO2</b> Après le démarrage ou durant les fonctions de filtration d'eau de chauffage, les capteurs du débit d'eau ne détectent pas le débit d'eau.	1. Vous avez oublié d'enlever les 2 bouchons d'obturation de l'intérieur de la piscine. 2. Les cartouches des filtres sont sales. 3. Déclenchez le filtre ou le système de chauffage et placez votre main en face du tuyau de sortie à l'intérieur de la piscine pour vérifier que vous sentez le flux d'eau qui sort. a. Si l'eau ne s'écoule pas, la pompe à eau est cassée. b. L'eau s'écoule mais l'alarme  s'affiche. Les capteurs du débit d'eau sont cassés.	1. Enlevez les 2 bouchons d'obturation avant de chauffer, reportez-vous au paragraphe Montage dans la notice d'utilisation. 2. Enlevez le groupe de filtration de l'intérieur de la piscine et appuyez sur le bouton du filtre ou de chauffage. Si aucune alarme n'apparaît, nettoyez ou changez les cartouches du filtre, installez le groupe de filtration à l'intérieur de la piscine. 3. Contactez le service après-vente Bestway le plus proche pour connaître les instructions.
<b>EO3</b> Le thermomètre de la pompe indique une température de l'eau inférieure à 4 °C (40 °F).	1. La température de l'eau est inférieure à 4 °C (40 °F). 2. Si la température de l'eau est supérieure à 7 °C (44,6 °F), le thermomètre de la pompe est cassé.	1. Le spa n'est pas conçu pour fonctionner avec des températures de l'eau inférieures à 4 °C (40 °F). Débranchez la pompe et ne redémarrez la pompe que quand la température de l'eau atteint 6 °C (43 °F). 2. Contactez le service après-vente Bestway le plus proche pour connaître les instructions.
<b>EO4</b> Le thermomètre de la pompe indique une température de l'eau supérieure à 50 °C (122 °F).	1. La température de l'eau est supérieure à 50 °C (122 °F). 2. Si la température de l'eau est inférieure à 45 °C (113 °F), le thermomètre de la pompe est cassé.	1. Le spa n'est pas conçu pour fonctionner avec des températures de l'eau supérieures à 40 °C (104 °F). Débranchez la pompe et ne redémarrez la pompe que quand la température de l'eau est inférieure ou égale à 38 °C (100 °F). <b>IMPORTANT</b> : Avant de redémarrer la pompe, appuyez sur le bouton de réinitialisation de la pompe. 2. Contactez le service après-vente Bestway le plus proche pour connaître les instructions.
<b>EO5</b> Il y a des problèmes au niveau des branchements du thermomètre de la pompe.	1. Les raccords du thermomètre de la pompe ne fonctionnent pas correctement. 2. Le thermomètre de la pompe est cassé.	Contactez le service après-vente Bestway le plus proche pour connaître les instructions.
<b>EO8</b> Le coupe-circuit thermique à réinitialisation manuelle a un problème.	Le coupe-circuit thermique à réinitialisation manuelle s'est arrêté.	1. Débranchez la pompe et appuyez sur le bouton de réinitialisation, puis rebranchez la pompe. 2. Si l'alarme persiste, contrôlez le paragraphe BOUTON DE RÉINITIALISATION dans la notice. 3. Contactez le service après-vente Bestway le plus proche pour connaître les instructions.

## MAINTENANCE

**REMARQUE : votre spa aura besoin d'être regonflé de temps en temps. Les changements de température entre la nuit et le jour modifieront la pression dans le spa et pourront provoquer un certain dégonflage. Veuillez suivre les instructions de montage et vidanger le spa avant de le gonfler exactement à la pression nécessaire.**

**ATTENTION : VOUS DEVEZ VÉRIFIER QUE LA POMPE EST DÉBRANCHÉE AVANT DE COMMENCER LA MAINTENANCE DU SPA POUR ÉVITER TOUT RISQUE DE BLESSURE GRAVE VOIRE MORTELLE.**

### Maintenance de la cartouche du filtre

**REMARQUE :** pour être certain que l'eau de votre spa reste propre, contrôlez et nettoyez les cartouches du filtre tous les jours en suivant la procédure ci-dessous.

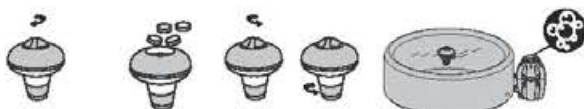
### Maintenance de l'eau

Il est nécessaire de conserver l'eau de votre spa propre et chimiquement équilibrée. Il ne suffit pas de nettoyer la cartouche du filtre pour une maintenance correcte, nous vous recommandons d'utiliser des produits chimiques pour piscine afin de maintenir les propriétés chimiques de l'eau et des comprimés de chlore ou de brome (n'utilisez pas de granulés) avec le flotteur chimique.

En règle générale, il faut changer l'eau tous les 3 jours environ. Cette information n'est donnée qu'à titre indicatif car la qualité de l'eau est influencée par la fréquence d'utilisation, les personnes utilisant le spa et l'entretien général.

**Remarque :** nous vous conseillons vivement de prendre une douche avant d'utiliser votre Spa Lay-Z, car les cosmétiques, lotions et autres résidus présents sur la peau peuvent détériorer rapidement la qualité de l'eau. Pour utiliser le flotteur chimique, veuillez suivre les instructions ci-dessous.

Utilisation de comprimés chimiques (non fournis avec):



**REMARQUE :** sortez le flotteur chimique du spa quand vous n'utilisez pas le spa. **IMPORTANT :** après avoir effectué le traitement chimique et avant d'utiliser le spa, servez-vous d'un kit d'essai (non fourni avec) pour tester les propriétés chimiques de l'eau.

Nous conseillons de maintenir votre eau conformément au tableau ci-dessous.



pH	Basicité totale	Chlore libre
7,4-7,6	80-120 ppm	2-4 ppm

**REMARQUE :** la garantie ne couvre pas les dégâts provoqués par un déséquilibre chimique. Les produits chimiques pour piscine sont potentiellement toxiques et doivent être manipulés en faisant attention. Il existe des risques sérieux pour la santé dérivant des vapeurs chimiques ainsi que de l'étiquetage et du stockage incorrects des récipients chimiques. Veuillez vous adresser au concessionnaire de piscine le plus proche pour plus d'informations au sujet de la maintenance chimique. Lisez attentivement les instructions du producteur de produits chimiques. La garantie ne couvre pas les dégâts occasionnés au spa suite à une utilisation incorrecte des produits chimiques et à une mauvaise gestion de l'eau du spa.

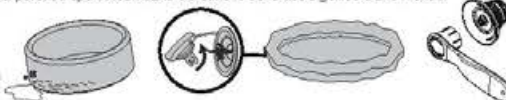
### Réglage de la vanne d'air (uniquement pour les modèles n° 54113, n° 54129, n° 54154 et n° 54156)

En cas de fuite d'air, contrôlez d'abord la vanne d'air. Recouvrez la vanne d'air avec de l'eau savonneuse pour vérifier s'il y a une fuite d'air. Si c'est le cas, utilisez la clé fournie avec pour serrer la vanne d'air selon la procédure suivante.

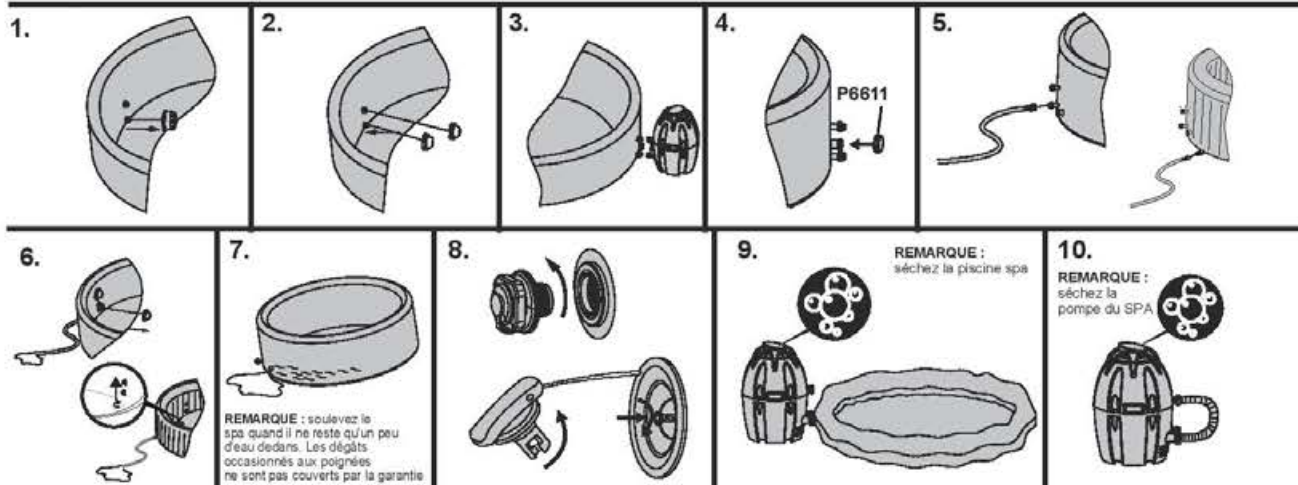
• d'une main, tenez le côté arrière de la vanne d'air de l'intérieur de la paroi du spa et tournez la clé dans le sens des aiguilles d'une montre.

### REMARQUE :

1. Ne serrez pas trop.
2. Contrôlez toujours la vanne d'air soigneusement avant de l'utiliser.
3. Ne réglez pas le connecteur de la vanne d'air quand vous utilisez le spa.



## Vidange du spa



**Nettoyage du spa** Les résidus de détergent et les matières dissoutes provenant des maillots de bain et des produits chimiques peuvent s'accumuler sur les parois du spa. Utilisez du savon et de l'eau pour nettoyer les parois et rincez bien.

**REMARQUE : N'UTILISEZ PAS de brosses dures ou de détergents abrasifs.**

### Réparation du spa

Pour le spa n° 54112, n° 54123 et n° 54148 ainsi que la bache gonflable.

Si le spa est déchiré ou percé, utilisez la rustine résistante fournie avec.

1. Nettoyez la zone à réparer.
2. Découpez soigneusement la rustine.
3. Appuyez la rustine sur la zone à réparer.
4. Attendez 30 secondes avant de le gonfler.

Pour le spa n° 54113, n° 54129, n° 54154 et n° 54156 (ne comprenant pas la bache gonflable)

Si le spa est déchiré ou percé, utilisez la rustine en PVC fournie avec et la colle (non fournie) en suivant ces étapes.

1. Nettoyez et séchez la zone à réparer.
2. Coupez la rustine en PVC fournie avec à la bonne taille.
3. Mettez la colle (non fournie) sur le côté de la rustine que vous voulez couper. Vérifiez que la colle soit distribuée uniformément.
4. Attendez 30 secondes avant de placer la rustine avec la colle sur la zone endommagée.
5. Lissez pour éliminer les bulles d'air qui pourraient s'être formées et appuyez dessus fermement pendant deux minutes.
6. Vous pouvez désormais utiliser à nouveau le produit. Répétez cette opération si vous découvrez d'autres fuites.
7. Attendez 30 minutes avant de le gonfler.

## Rangement du Lay-Z-Spa

Vérifiez que le spa et la pompe soient complètement secs. Ceci est fondamental pour prolonger la durée de vie du spa. Nous vous recommandons d'utiliser la pompe pour sécher le spa, la pompe et les tuyaux. Enlevez les groupes filtre et jetez les cartouches de filtre usés. Placez à nouveau les deux bouchons d'obturation sur les vannes d'entrée et de sortie du spa. Il est recommandé de ranger le spa dans son emballage d'origine, au chaud et au sec.

**REMARQUE :** le plastique devient fragile et risque de se casser quand il est exposé à des températures en dessous de zéro. Le gel peut endommager de manière grave le spa. Un remisage incorrect de votre spa peut rendre la garantie caduque.

### Mise au rebut



Signification du symbole de la poubelle sur roulettes barrée d'une croix : Ne jetez pas les appareils électriques avec les ordures ménagères, mais utilisez le tri sélectif. Contactez votre administration locale pour obtenir des informations sur les systèmes de tri disponibles. Si les appareils électriques sont jetés dans les décharges, des substances dangereuses peuvent se déverser dans la nappe phréatique et pénétrer dans la chaîne alimentaire, avec des conséquences néfastes pour votre santé et votre bien-être. Quand vous remplacez de vieux appareils par des neufs, la loi oblige le distributeur à reprendre votre ancien appareil pour le mettre au rebut au moins gratuitement.

**DÉPANNAGE** Bestway s'efforce de fournir les spas les plus performants sur le marché. Si vous rencontrez néanmoins des problèmes, n'hésitez pas à contacter Bestway ou votre revendeur agréé. Voici quelques astuces utiles pour vous aider à faire un diagnostic et à résoudre les sources de problèmes les plus courantes.

Problèmes	Éventuelles causes	Solutions
La pompe ne fonctionne pas	<ul style="list-style-type: none"> <li>- Panne de courant</li> <li>- Les circuits d'alimentation sont cassés</li> </ul>	<ul style="list-style-type: none"> <li>- Contrôlez la source de courant</li> <li>- Veuillez contacter le service après-vente Bestway pour connaître les instructions à suivre</li> </ul>
La pompe ne chauffe pas correctement	<ul style="list-style-type: none"> <li>- La température réglée est trop basse</li> <li>- La cartouche du filtre est sale</li> <li>- L'arrêt du coupe-circuit thermique</li> <li>- Le spa n'est pas couvert</li> <li>- L'élément de chauffage est en panne ou le fusible a sauté</li> </ul>	<ul style="list-style-type: none"> <li>- Réglez une température supérieure, reportez-vous au paragraphe relatif au fonctionnement de la pompe</li> <li>- Nettoyez/remplacez la cartouche du filtre, reportez-vous au paragraphe relatif au nettoyage et au remplacement de la cartouche du filtre</li> <li>- Débranchez la pompe et placez la fiche au frais et au sec. Ne redémarrez la pompe que quand la température de l'eau est inférieure ou égale à 35 °C (95 °F)</li> <li>- Fixez la bâche.</li> <li>- Contactez le service après-vente Bestway le plus proche pour connaître les instructions</li> </ul>
Le système Lay-Z-Massage ne fonctionne pas	<ul style="list-style-type: none"> <li>- La pompe à air surchauffe</li> <li>- Le Lay-Z- Spa Massage s'arrête automatiquement</li> <li>- La pompe à air est cassée</li> </ul>	<ul style="list-style-type: none"> <li>- Débranchez la pompe et attendez deux heures jusqu'à ce que la pompe ait refroidi. Branchez la fiche et appuyez sur le bouton du système Lay-Z-Massage</li> <li>- Appuyez sur le bouton du système de massage Lay-Z pour le réactiver</li> <li>- Veuillez contacter le service après-vente Bestway le plus proche pour connaître les instructions à suivre</li> </ul>
Les adaptateurs de la pompe ne sont pas au même niveau que les adaptateurs du spa	<ul style="list-style-type: none"> <li>- La nature du PVC l'amène à changer de forme, ce qui est normal</li> </ul>	<ul style="list-style-type: none"> <li>- Rehaussez la pompe avec du bois ou un autre type de matériau isolé pour amener les adaptateurs de la pompe au niveau des adaptateurs du spa</li> </ul>
Fuite au niveau de la piscine spa	<ul style="list-style-type: none"> <li>- Le spa est déchiré ou percé</li> <li>- La vanne d'air est desserrée</li> </ul>	<ul style="list-style-type: none"> <li>- Utilisez la rustine fournie avec</li> <li>- Recouvrez la vanne d'air avec de l'eau savonneuse pour vérifier s'il y a une fuite d'air. Si c'est le cas, utilisez la clé fournie avec pour serrer la vanne d'air selon la procédure suivante : 1. Dégonflez le SPA. 2. D'une main, tenez le côté arrière de la vanne d'air de l'intérieur de la paroi du spa et tournez la clé dans le sens des aiguilles d'une montre.</li> </ul>
L'eau n'est pas propre	<ul style="list-style-type: none"> <li>- Temps de filtration insuffisant</li> <li>- La cartouche du filtre est sale</li> <li>- Entretien incorrect de l'eau</li> </ul>	<ul style="list-style-type: none"> <li>- Augmentez le temps de filtration</li> <li>- Nettoyez/remplacez la cartouche du filtre (reportez-vous au paragraphe relatif au nettoyage et au remplacement de la cartouche du filtre)</li> <li>- Reportez-vous aux instructions du producteur des produits chimiques</li> </ul>
Le test du disjoncteur différentiel portable s'est soldé par un échec	<ul style="list-style-type: none"> <li>- Il y a un problème au niveau du SPA</li> </ul>	<ul style="list-style-type: none"> <li>- Veuillez contacter le service après-vente Bestway le plus proche et renvoyer le SPA.</li> </ul>
Le tableau de commande ne fonctionne pas	<ul style="list-style-type: none"> <li>- Le tableau de commande possède un verrouillage automatique qui se déclenche au bout de 5 minutes d'inactivité. L'écran LED a une icône : </li> <li>- Si l'icône de verrouillage est mise en relief, le tableau de commande est verrouillé</li> <li>- Le tableau de commande n'est pas activé.</li> </ul>	<ul style="list-style-type: none"> <li>- Pour déverrouiller le tableau de commande, appuyez sur la touche  pendant 3 secondes.</li> <li>- Si le tableau de commande ne se déverrouille pas, redémarrez la pompe – débranchez et rebranchez la pompe.</li> <li>- Appuyez sur le bouton marche/arrêt pendant 2 secondes.</li> <li>- Si le problème persiste, veuillez contacter le service après-vente Bestway le plus proche pour connaître les instructions à suivre.</li> </ul>
Quel type de produits chimiques devrais-je utiliser pour l'entretien de l'eau ?	<p>Veuillez vous adresser au fournisseur de produits chimiques le plus proche pour obtenir des informations sur l'entretien chimique. Lisez attentivement les instructions du producteur de produits chimiques.</p>	
Il y a une fuite d'eau au niveau des adaptateurs entre la pompe et le spa	<p>Placez les trois bouchons d'obturation sur les orifices du spa pour éviter que l'eau s'échappe et débranchez la pompe. Contrôlez les joints d'étanchéité et vérifiez qu'ils soient positionnés correctement à l'intérieur des adaptateurs de la pompe. S'il y a des joints d'étanchéité manquants ou s'ils ne sont pas installés correctement, veuillez contacter le service après-vente Bestway le plus proche pour connaître les instructions à suivre. Si les joints d'étanchéité sont placés correctement, rebranchez la pompe au spa et serrez manuellement les adaptateurs.</p>	



# Garantie limitée du fabricant BESTWAY®

Le produit que vous avez acheté est accompagné d'une garantie limitée. Bestway® défend sa garantie de qualité et assure, grâce à une garantie de remplacement, que votre produit ne présentera pas de vices de fabrication.

Pour présenter une réclamation dans le cadre de la garantie, il faut remplir ce formulaire qui doit être envoyé au service après-vente Bestway le plus proche, accompagné d'une copie de votre attestation d'achat. Veuillez contacter le service après-vente Bestway le plus proche avant d'envoyer tout document. Il vous communiquera toutes les instructions pour présenter votre réclamation. Bestway® ne remplacera aucun produit jugé comme ayant été endommagé par négligence ou comme ayant été utilisé sans respecter les consignes de la notice d'utilisation.

La garantie Bestway couvre les vices de fabrication découverts lors du déballage du produit ou pendant son utilisation, comme cela est recommandé dans la notice d'utilisation. Cette garantie ne s'applique qu'aux produits n'ayant pas été modifiés par des tiers. Le produit doit être stocké et manipulé dans le respect des recommandations techniques.

The warranty does not cover damages caused by misuse, abuse, neglect, including, but not limited to collision, fire, use of incorrect voltage, excessive heat exposure, improper installation, improper wiring or testing, improper storage.

Les remplacements et les réparations ne prolongent pas la durée de la garantie. La garantie s'applique à partir de la date de la vente indiquée sur le reçu/la facture d'origine.

Veuillez choisir votre SPA



À L'ATTENTION DE: Bestway® Service Department

Date d'achat: \_\_\_\_\_

DATE: \_\_\_\_\_

N° de code client: \_\_\_\_\_

FAX/E-MAIL/TÉL.: Veuillez vous référer à votre pays en ce qui concerne les informations que vous trouverez au dos de la couverture ou sur notre site web : [www.bestwaycorp.com](http://www.bestwaycorp.com)

Veuillez fournir votre adresse dans son intégralité. **Remarque:** Les adresses incomplètes porteront à des retards d'expédition.

Bestway se réserve le droit de facturer le retour des colis non livrés quand la faute est imputable au destinataire.

## INFORMATIONS REQUISES - VEUILLEZ ÉCRIRE L'ADRESSE DE LIVRAISON

Nom: \_\_\_\_\_ Adresse: \_\_\_\_\_

Code postal: \_\_\_\_\_ Distributeur: \_\_\_\_\_

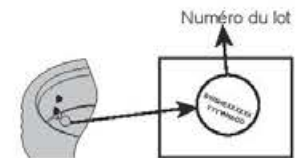
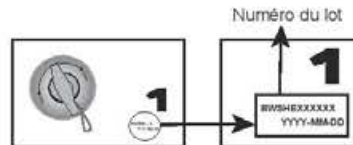
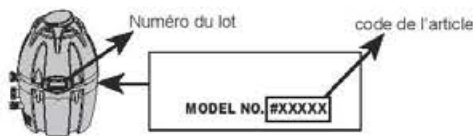
Pays: \_\_\_\_\_ Ville: \_\_\_\_\_

Mobile: \_\_\_\_\_ Téléphone: \_\_\_\_\_

Fax: \_\_\_\_\_ E-mail: \_\_\_\_\_

Numéro du lot de la POMPE DU SPA: \_\_\_\_\_ Numéro du lot de la piscine SPA: \_\_\_\_\_

Code de l'article POMPE DU SPA: \_\_\_\_\_



LAY-Z-SPA Vegas / Paris

Les dessins ne sont qu'à titre d'illustration. Pas à l'échelle.

### Description du problème

- Fuite au niveau du spa
- Le système de filtration de l'eau ne fonctionne pas
- Le système de chauffage ne fonctionne pas
- Le tableau de commande affiche une panne impossible à réparer
- Le système Massage ne fonctionne pas
- Fuite au niveau de la pompe
- Fuite au niveau de l'adaptateur
- Pièces manquantes – Veuillez utiliser le code pour la pièce manquante, vous pouvez le trouver sur la notice d'utilisation.
- Autre (Veuillez décrire)

**IMPORTANT: SEULE LA PIÈCE ENDOMMAGÉE SERA REMPLACÉE, PAS L'ENSEMBLE COMPLET.**

Bestway se réserve le droit de demander des photographies attestant l'état déficient des pièces ou de demander l'envoi de l'article pour des tests supplémentaires.

Pour mieux vous aider, nous demandons à ce que toutes les informations que vous fournissez soient complètes.

POUR LES FAQ, MANUELS, VIDÉOS OU PIÈCES DÉTACHÉES, VEUILLEZ VISITER NOTRE SITE WEB [www.bestwaycorp.com](http://www.bestwaycorp.com).

LES VIDÉOS SONT ÉGALEMENT DISPONIBLES SUR NOTRE CHAÎNE BESTWAY SUR YOUTUBE: [www.youtube.com/user/BestwayService](http://www.youtube.com/user/BestwayService).

# Bestway

# ΠΕΡΙΕΧΟΜΕΝΑ ΕΠΙΣΚΕΦΤΕΙΤΕ ΤΟ ΚΑΝΑΛΙ ΤΗΣ Bestway ΣΤΟ YouTube

1. ΟΔΗΓΙΕΣ ΑΣΦΑΛΕΙΑΣ .....	Σ122	5. ΣΥΝΤΗΡΗΣΗ .....	Σ134
2. ΠΡΟΔΙΑΓΡΑΦΕΣ .....	Σ125	ΣΥΝΤΗΡΗΣΗ ΣΤΟΙΧΕΙΟ ΦΙΛΤΡΟΥ	
3. ΕΓΚΑΤΑΣΤΑΣΗ .....	Σ128	ΣΥΝΤΗΡΗΣΗ ΝΕΡΟΥ	
ΕΠΙΛΕΓΜΕΝΗ ΤΟΠΟΘΕΣΙΑ		ΡΥΘΜΙΣΗ ΒΑΛΒΙΔΑΣ ΑΕΡΟΣ	
ΔΟΚΙΜΗ ΑΝΤΛΙΑΣ		ΑΠΟΣΤΡΑΓΓΙΣΗ ΤΟΥ SPA	
4. ΛΕΙΤΟΥΡΓΙΑΣ ΤΗΣ		ΚΑΘΑΡΙΣΜΟΣ ΤΟΥ SPA	
ΑΝΤΛΙΑΣ .....	Σ133	ΕΠΙΣΚΕΥΗ SPA	
ΕΠΑΝΑΦΟΡΑ ΘΕΡΜΑΝΣΗΣ		ΑΠΟΘΗΚΕΥΣΗ LAY-Z-SPA	
ΠΙΝΑΚΑΣ ΕΛΕΓΧΟΥ		ΑΠΟΡΡΙΨΗ	
ΣΥΝΑΓΕΡΜΟΙ		6. ΑΝΤΙΜΕΤΩΠΙΣΗ ΠΡΟΒΛΗΜΑΤΩΝ ..	Σ135
		7. ΕΓΓΥΗΣΗ .....	Σ136



## ΟΔΗΓΙΕΣ ΑΣΦΑΛΕΙΑΣ

ΚΑΤΑ ΤΗΝ ΕΓΚΑΤΑΣΤΑΣΗ ΚΑΙ ΤΗ ΧΡΗΣΗ ΑΥΤΟΥ ΤΟΥ ΗΛΕΚΤΡΙΚΟΥ ΕΞΟΠΛΙΣΜΟΥ, ΘΑ ΠΡΕΠΕΙ ΠΑΝΤΟΤΕ ΝΑ ΤΗΡΟΥΝΤΑΙ ΟΙ ΒΑΣΙΚΕΣ ΠΡΟΦΥΛΑΞΕΙΣ ΑΣΦΑΛΕΙΑΣ ΣΥΜΠΕΡΙΛΑΜΒΑΝΟΜΕΝΩΝ ΤΩΝ ΕΞΗΣ:

### ΣΗΜΑΝΤΙΚΕΣ ΟΔΗΓΙΕΣ ΑΣΦΑΛΕΙΑΣ - ΔΙΑΒΑΣΤΕ ΚΑΙ ΑΚΟΛΟΥΘΗΣΤΕ ΟΛΕΣ ΤΙΣ ΟΔΗΓΙΕΣ.

#### ΠΡΟΕΙΔΟΠΟΙΗΣΗ:

- ΤΟ SPA ΠΡΕΠΕΙ ΝΑ ΤΡΟΦΟΔΟΤΕΙΤΑΙ ΜΕΣΩ ΕΝΟΣ ΜΕΤΑΣΧΗΜΑΤΙΣΤΗ ΑΠΟΜΟΝΩΣΗΣ Ή ΝΑ ΤΡΟΦΟΔΟΤΕΙΤΑΙ ΜΕΣΩ ΕΝΟΣ ΑΥΤΟΜΑΤΟΥ ΔΙΑΚΟΠΤΗ ΔΙΑΡΡΟΗΣ (RCD) ΜΕ ΟΝΟΜΑΣΤΙΚΟ ΡΕΥΜΑ ΔΙΑΡΡΟΗΣ ΠΟΥ ΔΕΝ ΥΠΕΡΒΑΙΝΕΙ ΤΑ 30mA.
- Η ΑΝΤΛΙΑ ΠΡΕΠΕΙ ΝΑ ΔΟΚΙΜΑΖΕΤΑΙ ΠΡΙΝ ΑΠΟ ΚΑΘΕ ΧΡΗΣΗ, ΓΙΑ ΤΗ ΔΟΚΙΜΗ ΑΚΟΛΟΥΘΗΣΤΕ ΤΙΣ ΟΔΗΓΙΕΣ ΤΗΣ ΑΝΤΛΙΑΣ.
- ΕΑΝ ΤΟ ΚΑΛΩΔΙΟ ΤΡΟΦΟΔΟΣΙΑΣ ΕΧΕΙ ΥΠΟΣΤΕΙ ΒΛΑΒΗ, ΠΡΕΠΕΙ ΝΑ ΑΝΤΙΚΑΤΑΣΤΑΘΕΙ ΑΠΟ ΤΟΝ ΚΑΤΑΣΚΕΥΑΣΤΗ, ΤΟΝ ΑΝΤΙΠΡΟΣΩΠΟ ΣΕΡΒΙΣ Ή ΑΠΟ ΠΑΡΟΜΟΙΑ ΕΞΕΙΔΙΚΕΥΜΕΝΑ ΑΤΟΜΑ, ΠΡΟΚΕΙΜΕΝΟΥ ΝΑ ΑΠΟΦΕΥΧΘΕΙ Ο ΚΙΝΔΥΝΟΣ.
- ΓΙΑ ΤΗ ΜΕΙΩΣΗ ΤΟΥ ΚΙΝΔΥΝΟΥ ΗΛΕΚΤΡΟΠΛΗΞΙΑΣ, ΜΗΝ ΧΡΗΣΙΜΟΠΟΙΕΙΤΕ ΚΑΛΩΔΙΑ ΠΡΟΕΚΤΑΣΗΣ ΓΙΑ ΝΑ ΣΥΝΔΕΣΕΤΕ ΤΗ ΣΥΣΚΕΥΗ ΣΤΗΝ ΗΛΕΚΤΡΙΚΗ ΤΡΟΦΟΔΟΣΙΑ. ΦΡΟΝΤΙΣΤΕ ΩΣΤΕ ΝΑ ΕΙΝΑΙ ΔΙΑΘΕΣΙΜΗ ΜΙΑ ΣΩΣΤΑ ΤΟΠΟΘΕΤΗΜΕΝΗ ΠΑΡΟΧΗ ΡΕΥΜΑΤΟΣ.
- ΚΑΝΕΝΑ ΜΕΡΟΣ ΤΗΣ ΣΥΣΚΕΥΗΣ ΔΕΝ ΠΡΕΠΕΙ ΝΑ ΒΡΙΣΚΕΤΑΙ ΠΑΝΩ ΑΠΟ ΤΗΝ ΜΠΑΝΙΕΡΑ ΚΑΤΑ ΤΗ ΔΙΑΡΚΕΙΑ ΤΗΣ ΧΡΗΣΗΣ.
- ΤΜΗΜΑΤΑ ΠΟΥ ΠΕΡΙΕΧΟΥΝ ΗΛΕΚΤΡΟΦΟΡΑ ΕΞΑΡΤΗΜΑΤΑ, ΕΚΤΟΣ ΑΠΟ ΤΑ ΤΜΗΜΑΤΑ ΠΟΥ ΤΡΟΦΟΔΟΤΟΥΝΤΑΙ ΜΕ ΠΟΛΥ ΧΑΜΗΛΗ ΤΑΣΗ ΑΣΦΑΛΕΙΑΣ ΠΟΥ ΔΕΝ ΥΠΕΡΒΑΙΝΕΙ ΤΑ 12V, ΔΕΝ ΠΡΕΠΕΙ ΝΑ ΕΙΝΑΙ ΠΡΟΣΒΑΣΙΜΑ ΣΕ ΕΝΑ ΑΤΟΜΟ ΜΕΣΑ ΣΤΗΝ ΠΙΣΙΝΑ SPA. ΤΜΗΜΑΤΑ ΠΟΥ ΠΕΡΙΛΑΜΒΑΝΟΥΝ ΤΑ ΗΛΕΚΤΡΙΚΑ ΕΞΑΡΤΗΜΑΤΑ, ΕΚΤΟΣ ΑΠΟ ΣΥΣΚΕΥΕΣ ΤΗΛΕΧΕΙΡΙΣΜΟΥ, ΠΡΕΠΕΙ ΝΑ ΒΡΙΣΚΟΝΤΑΙ Ή ΝΑ ΣΤΕΡΕΩΝΟΝΤΑΙ ΕΤΣΙ ΩΣΤΕ ΝΑ ΜΗΝ ΜΠΟΡΟΥΝ ΝΑ ΠΕΣΟΥΝ ΜΕΣΑ ΣΤΗΝ ΠΙΣΙΝΑ SPA.
- ΤΟ SPA ΠΡΕΠΕΙ ΝΑ ΤΡΟΦΟΔΟΤΕΙΤΑΙ ΑΠΟ ΜΙΑ ΓΕΙΩΜΕΝΗ ΠΗΓΗ ΤΡΟΦΟΔΟΣΙΑΣ.
- **ΠΡΟΕΙΔΟΠΟΙΗΣΗ: ΔΙΑΤΗΡΕΙΤΕ ΠΑΝΤΑ ΤΟ ΡΕΥΜΑΤΟΛΗΠΤΗ ΣΤΕΓΝΟ, Η ΣΥΝΔΕΣΗ ΜΕ ΒΡΕΓΜΕΝΟ ΡΕΥΜΑΤΟΛΗΠΤΗ ΑΠΑΓΟΡΕΥΕΤΑΙ ΑΥΣΤΗΡΑ!**
- ΜΕΤΑ ΤΗΝ ΕΓΚΑΤΑΣΤΑΣΗ ΤΟΥ SPA, Ο ΡΕΥΜΑΤΟΛΗΠΤΗΣ ΕΙΝΑΙ ΑΠΑΡΑΙΤΗΤΟ ΝΑ ΕΙΝΑΙ ΠΡΟΣΒΑΣΙΜΟΣ. **ΠΡΟΣΟΧΗ:** ΠΡΟΚΕΙΜΕΝΟΥ ΝΑ ΑΠΟΦΕΥΧΘΕΙ ΚΙΝΔΥΝΟΣ ΛΟΓΩ ΑΚΟΥΣΙΑΣ ΕΠΑΝΑΦΟΡΑΣ ΤΟΥ ΘΕΡΜΙΚΟΥ ΔΙΑΚΟΠΤΗ, Η ΣΥΣΚΕΥΗ ΑΥΤΗ ΔΕΝ ΠΡΕΠΕΙ ΝΑ ΤΡΟΦΟΔΟΤΕΙΤΑΙ ΜΕΣΩ ΜΙΑΣ ΕΞΩΤΕΡΙΚΗΣ ΣΥΣΚΕΥΗΣ ΕΝΕΡΓΟΠΟΙΗΣΗΣ, ΟΠΩΣ ΕΝΑΣ ΧΡΟΝΟΔΙΑΚΟΠΤΗΣ, Ή ΝΑ ΣΥΝΔΕΘΕΙ ΣΕ ΕΝΑ ΚΥΚΛΩΜΑ ΠΟΥ ΤΑΚΤΙΚΑ ΕΝΕΡΓΟΠΟΙΕΙΤΑΙ ΚΑΙ ΑΠΕΝΕΡΓΟΠΟΙΕΙΤΑΙ ΑΠΟ ΤΗΝ ΠΑΡΟΧΗ. ΜΕΤΑ ΤΗ ΧΡΗΣΗ ΤΟΥ SPA ΓΙΑ 3-5 ΧΡΟΝΙΑ, ΘΑ ΠΡΕΠΕΙ ΝΑ ΕΠΙΚΟΙΝΩΝΗΣΕΤΕ ΜΕ ΤΟΝ ΤΟΠΙΚΟ ΣΑΣ ΚΑΤΑΡΤΙΣΜΕΝΟ ΤΕΧΝΙΚΟ ΣΥΝΤΗΡΗΣΗΣ ΓΙΑ ΝΑ ΕΞΑΣΦΑΛΙΣΤΕΙ Η ΑΣΦΑΛΕΙΑ ΚΑΙ Η ΑΠΟΔΟΣΗ ΤΟΥ SPA. ΤΑ ΚΥΡΙΑ ΕΞΑΡΤΗΜΑΤΑ, ΟΠΩΣ ΤΟ ΘΕΡΜΑΝΤΙΚΟ ΣΤΟΙΧΕΙΟ, ΤΟ ΜΟΤΕΡ ΦΥΣΗΤΗΡΑ ΑΕΡΑ ΚΑΙ ΟΙ ΒΑΛΒΙΔΕΣ ΑΝΤΕΠΙΣΤΡΟΦΗΣ ΕΝΤΟΣ ΤΗΣ ΗΛΕΚΤΡΙΚΗΣ ΜΟΝΑΔΑΣ ΘΑ ΠΡΕΠΕΙ ΝΑ ΕΛΕΓΧΟΝΤΑΙ ΚΑΙ ΝΑ ΑΝΤΙΚΑΘΙΣΤΑΝΤΑΙ (ΕΑΝ ΧΡΕΙΑΖΕΤΑΙ) ΑΠΟ ΕΠΑΓΓΕΛΜΑΤΙΕΣ.
- **ΓΙΑ ΤΗΝ ΑΠΟΦΥΓΗ ΗΛΕΚΤΡΟΠΛΗΞΙΑΣ, ΜΗΝ ΧΡΗΣΙΜΟΠΟΙΕΙΤΕ ΤΟ SPA ΟΤΑΝ ΒΡΕΧΕΙ.**
- ΠΟΤΕ ΜΗ ΦΟΡΑΤΕ ΤΟΥΣ ΦΑΚΟΥΣ ΕΠΑΦΗΣ ΟΤΑΝ ΒΡΙΣΚΕΣΤΕ ΜΕΣΑ ΣΤΟ SPA.
- ΜΗΝ ΧΡΗΣΙΜΟΠΟΙΕΙΤΕ ΤΟ SPA ΚΑΤΑ ΤΗ ΔΙΑΡΚΕΙΑ ΤΗΣ ΧΗΜΙΚΗΣ ΣΥΝΤΗΡΗΣΗΣ.
- Η ΠΗΓΗ ΤΡΟΦΟΔΟΣΙΑΣ ΣΤΟΝ ΤΟΙΧΟ ΤΟΥ ΚΤΗΡΙΟΥ ΘΑ ΠΡΕΠΕΙ ΝΑ ΔΙΑΤΗΡΕΙΤΑΙ ΣΕ ΑΠΟΣΤΑΣΗ ΜΕΓΑΛΥΤΕΡΗ ΤΩΝ 4 μ. ΑΠΟ ΤΗΝ ΠΙΣΙΝΑ ΚΑΙ ΣΕ ΕΝΑ ΥΨΟΣ ΤΟΥΛΑΧΙΣΤΟΝ 1,2 μ.
- ΔΕΝ ΕΠΙΤΡΕΠΕΤΑΙ Η ΧΡΗΣΗ ΚΑΛΩΔΙΩΝ ΕΠΕΚΤΑΣΗΣ.
- ΜΗ ΣΥΝΔΕΕΤΕ Ή ΑΠΟΣΥΝΔΕΑΤΕ ΤΗ ΣΥΣΚΕΥΗ ΜΕ ΒΡΕΓΜΕΝΑ ΧΕΡΙΑ.
- ΠΑΝΤΟΤΕ ΑΠΟΣΥΝΔΕΕΤΕ ΤΗ ΣΥΣΚΕΥΗ:
  - ΣΕ ΒΡΟΧΕΡΕΣ ΗΜΕΡΕΣ
  - ΠΡΙΝ ΤΟΝ ΚΑΘΑΡΙΣΜΟ Ή ΑΠΟ ΑΛΛΗ ΣΥΝΤΗΡΗΣΗ
  - ΕΑΝ ΤΗΝ ΑΦΗΣΤΕ ΧΩΡΙΣ ΕΠΙΒΛΕΨΗ ΚΑΤΑ ΤΗ ΔΙΑΡΚΕΙΑ ΤΩΝ ΔΙΑΚΟΠΩΝ
- Ο ΚΑΘΑΡΙΣΜΟΣ ΚΑΙ Η ΣΥΝΤΗΡΗΣΗ ΠΡΕΠΕΙ ΝΑ ΓΙΝΕΤΑΙ ΑΠΟ ΕΝΑΝ ΕΝΗΛΙΚΑ ΗΛΙΚΙΑΣ ΑΝΩ ΤΩΝ 18 ΕΤΩΝ, Ο ΟΠΟΙΟΣ ΓΝΩΡΙΖΕΙ ΤΟΝ ΚΙΝΔΥΝΟ ΤΗΣ ΗΛΕΚΤΡΟΠΛΗΞΙΑΣ.
- ΟΤΑΝ Η ΣΥΣΚΕΥΗ ΔΕΝ ΠΡΟΚΕΙΤΑΙ ΝΑ ΧΡΗΣΙΜΟΠΟΙΗΘΕΙ ΓΙΑ ΜΕΓΑΛΟ ΧΡΟΝΙΚΟ ΔΙΑΣΤΗΜΑ, ΟΠΩΣ ΤΟΝ ΧΕΙΜΩΝΑ, ΤΟ ΣΕΤ SPA Ή ΠΙΣΙΝΑΣ ΘΑ ΠΡΕΠΕΙ ΝΑ ΑΠΟΣΥΝΑΡΜΟΛΟΓΗΘΕΙ ΚΑΙ ΝΑ ΑΠΟΘΗΚΕΥΤΕΙ ΣΕ ΕΣΩΤΕΡΙΚΟ ΧΩΡΟ.
- **ΠΡΟΣΟΧΗ:** ΔΙΑΒΑΣΤΕ ΤΙΣ ΟΔΗΓΙΕΣ ΠΡΙΝ ΧΡΗΣΙΜΟΠΟΙΗΣΕΤΕ ΤΗ ΣΥΣΚΕΥΗ ΚΑΘΕ ΦΟΡΑ ΠΡΙΝ ΤΗΝ ΕΓΚΑΤΑΣΤΑΣΗ

#### Ή ΕΠΑΝΑΣΥΝΑΡΜΟΛΟΓΗΣΗ.

- ΑΣΦΑΛΗΣ ΦΥΛΑΞΗ ΤΩΝ ΟΔΗΓΙΩΝ. ΕΑΝ ΧΑΣΕΤΕ ΤΙΣ ΟΔΗΓΙΕΣ, ΠΑΡΑΚΑΛΟΥΜΕ ΕΠΙΚΟΙΝΩΝΗΣΤΕ ΜΕ ΤΟΝ ΚΑΤΑΣΚΕΥΑΣΤΗ Ή ΑΝΑΖΗΤΗΣΤΕ ΤΙΣ ΣΤΗΝ ΙΣΤΟΣΕΛΙΔΑ [www.bestwaycorp.com](http://www.bestwaycorp.com)
- **ΠΡΟΕΙΔΟΠΟΙΗΣΗ: ΓΙΑ ΛΟΓΟΥΣ ΗΛΕΚΤΡΙΚΗΣ ΑΣΦΑΛΕΙΑΣ, ΜΙΑ ΣΥΣΚΕΥΗ PRCD ΠΕΡΙΛΑΜΒΑΝΕΤΑΙ ΣΤΟ ΚΑΛΩΔΙΟ ΤΡΟΦΟΔΟΣΙΑΣ ΕΑΝ ΑΝΙΧΝΕΥΘΕΙ ΡΕΥΜΑ ΔΙΑΡΡΟΗΣ ΜΕΓΑΛΥΤΕΡΟ ΑΠΟ 10mA, Η ΣΥΣΚΕΥΗ ΘΑ ΕΝΕΡΓΟΠΟΙΗΘΕΙ ΚΑΙ ΘΑ ΔΙΑΚΟΨΕΙ ΤΗΝ ΤΡΟΦΟΔΟΣΙΑ, ΣΕ ΜΙΑ ΤΕΤΟΙΑ ΠΕΡΙΠΤΩΣΗ, ΠΑΡΑΚΑΛΟΥΜΕ ΑΠΟΣΥΝΔΕΣΤΕ ΑΠΟ ΤΗΝ ΤΡΟΦΟΔΟΣΙΑ ΚΑΙ ΣΤΑΜΑΤΗΣΤΕ ΑΜΕΣΩΣ ΤΗ ΧΡΗΣΗ ΤΟΥ SPA. ΜΗΝ ΕΠΑΝΑΦΕΡΕΤΕ ΤΟ ΠΡΟΪΟΝ ΜΟΝΟΙ ΣΑΣ. ΠΡΕΠΕΙ ΝΑ ΑΠΕΥΘΥΝΘΕΙΤΕ ΣΤΟ ΤΟΠΙΚΟ ΣΕΡΒΙΣ ΓΙΑ ΝΑ ΕΛΕΓΞΕΙ ΚΑΙ ΝΑ ΕΠΙΣΚΕΥΑΣΕΙ ΤΟ ΠΡΟΪΟΝ.**
- Η ΣΥΣΚΕΥΗ ΑΥΤΗ ΜΠΟΡΕΙ ΝΑ ΧΡΗΣΙΜΟΠΟΙΗΘΕΙ ΑΠΟ ΠΑΙΔΙΑ ΗΛΙΚΙΑΣ 8 ΕΤΩΝ ΚΑΙ ΑΝΩ ΚΑΙ ΑΠΟ ΑΤΟΜΑ ΜΕ ΜΕΙΩΜΕΝΕΣ ΣΩΜΑΤΙΚΕΣ, ΑΙΣΘΗΤΙΚΕΣ Ή ΝΟΗΤΙΚΕΣ ΙΚΑΝΟΤΗΤΕΣ Ή ΕΛΛΕΙΨΗ ΕΜΠΕΙΡΙΑΣ ΚΑΙ ΓΝΩΣΗΣ ΕΑΝ ΤΟΥΣ ΕΧΕΙ ΠΑΡΑΣΧΕΘΕΙ ΕΠΙΤΗΡΗΣΗ Ή ΚΑΘΟΔΗΓΗΣΗ ΣΧΕΤΙΚΑ ΜΕ ΤΗ ΧΡΗΣΗ ΤΗΣ ΣΥΣΚΕΥΗΣ ΜΕ ΑΣΦΑΛΗ ΤΡΟΠΟ ΩΣΤΕ ΝΑ ΚΑΤΑΝΟΟΥΝ ΤΟΥΣ ΚΙΝΔΥΝΟΥΣ ΠΟΥ ΥΠΑΡΧΟΥΝ. ΤΑ ΠΑΙΔΙΑ ΔΕΝ ΠΡΕΠΕΙ ΝΑ ΠΑΙΖΟΥΝ ΜΕ ΤΗ ΣΥΣΚΕΥΗ. Ο ΚΑΘΑΡΙΣΜΟΣ ΚΑΙ Η ΣΥΝΤΗΡΗΣΗ ΔΕΝ ΠΡΕΠΕΙ ΝΑ ΠΡΑΓΜΑΤΟΠΟΙΕΙΤΑΙ ΑΠΟ ΠΑΙΔΙΑ ΧΩΡΙΣ ΕΠΙΤΗΡΗΣΗ. (ΓΙΑ ΤΗΝ ΑΓΟΡΑ ΤΗΣ ΕΕ)  
Η ΣΥΣΚΕΥΗ ΑΥΤΗ ΔΕΝ ΠΡΟΟΡΙΖΕΤΑΙ ΓΙΑ ΧΡΗΣΗ ΑΠΟ ΑΤΟΜΑ (ΣΥΜΠΕΡΙΛΑΜΒΑΝΟΜΕΝΩΝ ΚΑΙ ΠΑΙΔΙΩΝ) ΜΕ ΜΕΙΩΜΕΝΕΣ ΣΩΜΑΤΙΚΕΣ, ΑΙΣΘΗΤΙΚΕΣ Ή ΝΟΗΤΙΚΕΣ ΙΚΑΝΟΤΗΤΕΣ Ή ΕΛΛΕΙΨΗ ΕΜΠΕΙΡΙΑΣ ΚΑΙ ΓΝΩΣΗΣ ΕΑΝ ΤΟΥΣ ΕΧΕΙ ΠΑΡΑΣΧΕΘΕΙ ΕΠΙΤΗΡΗΣΗ Ή ΚΑΘΟΔΗΓΗΣΗ ΣΧΕΤΙΚΑ ΜΕ ΤΗ ΧΡΗΣΗ ΤΗΣ ΣΥΣΚΕΥΗΣ ΑΠΟ ΑΤΟΜΟ ΥΠΕΥΘΥΝΟ ΓΙΑ ΤΗΝ ΑΣΦΑΛΕΙΑ ΤΟΥΣ. ΤΑ ΠΑΙΔΙΑ ΘΑ ΠΡΕΠΕΙ ΝΑ ΕΠΙΤΗΡΟΥΝΤΑΙ ΩΣΤΕ ΝΑ ΕΞΑΣΦΑΛΙΣΤΕΙ ΟΤΙ ΔΕΝ ΠΑΙΖΟΥΝ ΜΕ ΑΥΤΗ ΤΗ ΣΥΣΚΕΥΗ. (ΓΙΑ ΤΗΝ ΑΓΟΡΑ ΕΚΤΟΣ ΤΗΣ ΕΕ)
- ΤΟ ΝΕΡΟ ΠΡΟΣΕΛΚΥΕΙ ΤΑ ΠΑΙΔΙΑ, ΠΑΝΤΟΤΕ ΤΟΠΟΘΕΤΕΙΤΕ ΕΝΑ ΚΑΛΥΜΜΑ SPA ΜΕΤΑ ΑΠΟ ΚΑΘΕ ΧΡΗΣΗ.
- ΜΗΝ ΘΑΒΕΤΕ ΚΑΛΩΔΙΑ. ΤΟΠΟΘΕΤΗΣΤΕ ΤΟ ΚΑΛΩΔΙΟ ΕΤΣΙ ΩΣΤΕ ΝΑ ΕΛΑΧΙΣΤΟΠΟΙΗΘΕΙ Ο ΚΙΝΔΥΝΟΣ ΑΠΟ ΧΛΟΟΚΟΠΤΙΚΑ, ΘΑΜΝΟΚΟΠΤΙΚΑ ΚΑΙ ΑΛΛΟΝ ΕΞΟΠΛΙΣΜΟ.
- ΚΙΝΔΥΝΟΣ ΤΥΧΑΙΟΥ ΠΝΙΓΜΟΥ. ΠΡΕΠΕΙ ΝΑ ΕΠΙΔΕΙΚΝΥΕΤΑΙ ΙΔΙΑΙΤΕΡΗ ΠΡΟΣΟΧΗ ΓΙΑ ΤΗΝ ΑΠΟΤΡΟΠΗ ΜΗ ΕΞΟΥΣΙΟΔΟΤΗΜΕΝΗΣ ΠΡΟΣΒΑΣΗΣ ΑΠΟ ΠΑΙΔΙΑ. ΓΙΑ ΤΗΝ ΑΠΟΤΡΟΠΗ ΑΤΥΧΗΜΑΤΩΝ, ΕΞΑΣΦΑΛΙΣΤΕ ΟΤΙ ΤΑ ΠΑΙΔΙΑ ΔΕΝ ΧΡΗΣΙΜΟΠΟΙΟΥΝ ΑΥΤΟ ΤΟ SPA ΕΚΤΟΣ ΕΑΝ ΕΠΙΤΗΡΟΥΝΤΑΙ.
- **ΚΙΝΔΥΝΟΣ ΤΡΑΥΜΑΤΙΣΜΟΥ.** ΠΟΤΕ ΜΗ ΧΡΗΣΙΜΟΠΟΙΕΙΤΕ ΤΟ SPA, ΕΑΝ ΟΙ ΣΩΛΗΝΕΣ ΕΙΣΟΔΟΥ / ΕΞΟΔΟΥ ΕΙΝΑΙ ΣΠΑΣΜΕΝΟΙ Ή ΛΕΙΠΟΥΝ. ΠΟΤΕ ΜΗΝ ΕΠΙΧΕΙΡΗΣΕΤΕ ΝΑ ΑΝΤΙΚΑΤΑΣΤΗΣΕΤΕ ΤΟΥΣ ΣΩΛΗΝΕΣ ΕΙΣΟΔΟΥ / ΕΞΟΔΟΥ. ΠΑΝΤΟΤΕ ΣΥΜΒΟΥΛΕΥΕΣΤΕ ΤΟ ΤΟΠΙΚΟ ΚΕΝΤΡΟ ΣΕΡΒΙΣ ΜΕΤΑ ΤΗΝ ΠΩΛΗΣΗ.
- **ΚΙΝΔΥΝΟΣ ΗΛΕΚΤΡΟΠΛΗΞΙΑΣ.** ΕΓΚΑΤΑΣΤΗΣΤΕ ΤΟΥΛΑΧΙΣΤΟΝ ΣΕ ΑΠΟΣΤΑΣΗ 2Μ. ΑΠΟ ΟΛΕΣ ΤΙΣ ΜΕΤΑΛΛΙΚΕΣ ΕΠΙΦΑΝΕΙΕΣ.
- **ΚΙΝΔΥΝΟΣ ΗΛΕΚΤΡΟΠΛΗΞΙΑΣ.** ΠΟΤΕ ΜΗΝ ΧΡΗΣΙΜΟΠΟΙΕΙΤΕ ΟΠΟΙΑΔΗΠΟΤΕ ΗΛΕΚΤΡΙΚΗ ΣΥΣΚΕΥΗ ΟΤΑΝ ΕΙΣΤΕ ΜΕΣΑ ΣΤΟ SPA Ή ΟΤΑΝ ΤΟ ΣΩΜΑ ΣΑΣ ΕΙΝΑΙ ΒΡΕΓΜΕΝΟ. ΠΟΤΕ ΜΗΝ ΤΟΠΟΘΕΤΗΣΕΤΕ ΟΠΟΙΑΔΗΠΟΤΕ ΗΛΕΚΤΡΙΚΗ ΣΥΣΚΕΥΗ, ΟΠΩΣ ΕΝΑ ΦΩΣ, ΤΗΛΕΦΩΝΟ, ΡΑΔΙΟΦΩΝΟ Ή ΤΗΛΕΟΡΑΣΗ ΣΕ ΑΠΟΣΤΑΣΗ ΜΙΚΡΟΤΕΡΗ ΑΠΟ 2 Μ. ΑΠΟ ΤΟ SPA.
- ΚΑΤΑ ΤΗΝ ΕΓΚΥΜΟΣΥΝΗ, Η ΠΑΡΑΜΟΝΗ ΣΕ ΖΕΣΤΟ ΝΕΡΟ ΜΠΟΡΕΙ ΝΑ ΠΡΟΚΑΛΕΣΕΙ ΒΛΑΒΗ ΣΤΟ ΕΜΒΡΥΟ. ΠΕΡΙΟΡΙΣΤΕ ΤΗΝ ΧΡΗΣΗ ΣΤΑ 10 ΛΕΠΤΑ ΚΑΘΕ ΦΟΡΑ.
- **ΓΙΑ ΝΑ ΜΕΙΩΣΕΤΕ ΤΟΝ ΚΙΝΔΥΝΟ ΤΡΑΥΜΑΤΙΣΜΟΥ:**
  - A. ΤΟ ΝΕΡΟ ΣΕ ΕΝΑ SPA ΔΕΝ ΠΡΕΠΕΙ ΠΟΤΕ ΝΑ ΥΠΕΡΒΑΙΝΕΙ ΤΟΥΣ 40°C (104°F). ΘΕΡΜΟΚΡΑΣΙΑ ΝΕΡΟΥ ΜΕΤΑΞΥ 38°C (100°F) ΚΑΙ 40°C (104°F) ΘΕΩΡΕΙΤΑΙ ΑΣΦΑΛΗΣ ΓΙΑ ΕΝΑΝ ΥΓΙΗ ΕΝΗΛΙΚΑ. ΣΥΝΙΣΤΩΝΤΑΙ ΧΑΜΗΛΟΤΕΡΕΣ ΘΕΡΜΟΚΡΑΣΙΕΣ ΝΕΡΟΥ ΓΙΑ ΜΙΚΡΑ ΠΑΙΔΙΑ ΚΑΙ ΟΤΑΝ Η ΧΡΗΣΗ ΤΟΥ SPA ΥΠΕΡΒΑΙΝΕΙ ΤΑ 10 ΛΕΠΤΑ.
  - B. ΕΦΟΣΟΝ ΟΙ ΥΠΕΡΒΟΛΙΚΕΣ ΘΕΡΜΟΚΡΑΣΙΕΣ ΝΕΡΟΥ ΕΧΟΥΝ ΜΕΓΑΛΗ ΠΙΘΑΝΟΤΗΤΑ ΝΑ ΠΡΟΚΑΛΕΣΟΥΝ ΒΛΑΒΗ ΣΤΟ ΕΜΒΡΥΟ ΚΑΤΑ ΤΟΥΣ ΠΡΩΤΟΥΣ ΜΗΝΕΣ ΤΗΣ ΕΓΚΥΜΟΣΥΝΗΣ, ΟΙ ΕΓΚΥΕΣ Ή ΟΙ ΠΙΘΑΝΑ ΕΓΚΥΕΣ ΓΥΝΑΙΚΕΣ ΘΑ ΠΡΕΠΕΙ ΝΑ ΠΕΡΙΟΡΙΖΟΥΝ ΤΗ ΘΕΡΜΟΚΡΑΣΙΑ ΤΟΥ ΝΕΡΟΥ ΤΟΥ SPA ΣΤΟΥΣ 38°C (100°F).
  - C. ΠΡΙΝ ΤΗΝ ΕΙΣΟΔΟ ΣΤΟ SPA, Ο ΧΡΗΣΤΗΣ ΘΑ ΠΡΕΠΕΙ ΝΑ ΜΕΤΡΗΣΕΙ ΤΗ ΘΕΡΜΟΚΡΑΣΙΑ ΤΟΥ ΝΕΡΟΥ ΜΕ ΕΝΑ ΑΚΡΙΒΕΣ ΘΕΡΜΟΜΕΤΡΟ ΔΕΔΟΜΕΝΟΥ ΟΤΙ Η ΑΝΟΧΗ ΤΩΝ ΣΥΣΚΕΥΩΝ ΡΥΘΜΙΣΗΣ ΘΕΡΜΟΚΡΑΣΙΑΣ ΤΟΥ ΝΕΡΟΥ ΔΙΑΦΕΡΕΙ.
  - D. Η ΧΡΗΣΗ ΑΛΚΟΟΛ, ΝΑΡΚΩΤΙΚΩΝ Ή ΦΑΡΜΑΚΩΝ ΠΡΙΝ Ή ΚΑΤΑ ΤΗ ΧΡΗΣΗ ΤΟΥ SPA ΜΠΟΡΕΙ ΝΑ ΟΔΗΓΗΣΕΙ ΣΕ ΑΠΩΛΕΙΑ ΤΩΝ ΑΙΣΘΗΣΕΩΝ ΚΑΙ ΠΝΙΓΜΟ.
  - E. ΠΑΧΥΣΑΡΚΑ ΑΤΟΜΑ ΚΑΙ ΑΤΟΜΑ ΜΕ ΙΣΤΟΡΙΚΟ ΚΑΡΔΙΑΚΗΣ ΝΟΣΟΥ, ΧΑΜΗΛΗ Ή ΥΨΗΛΗ ΑΡΤΗΡΙΑΚΗ ΠΙΕΣΗ, ΠΡΟΒΛΗΜΑΤΑ ΤΟΥ ΚΥΚΛΟΦΟΡΙΚΟΥ ΣΥΣΤΗΜΑΤΟΣ, Ή ΔΙΑΒΗΤΗ ΘΑ ΠΡΕΠΕΙ ΝΑ ΣΥΜΒΟΥΛΕΥΤΟΥΝ ΕΝΑ ΓΙΑΤΡΟ ΠΡΙΝ ΑΠΟ ΤΗ ΧΡΗΣΗ ΤΟΥ SPA.
  - F. ΑΤΟΜΑ ΠΟΥ ΚΑΝΟΥΝ ΧΡΗΣΗ ΦΑΡΜΑΚΩΝ ΘΑ ΠΡΕΠΕΙ ΝΑ ΣΥΜΒΟΥΛΕΥΤΟΥΝ ΕΝΑ ΓΙΑΤΡΟ ΠΡΙΝ ΑΠΟ ΤΗ ΧΡΗΣΗ ΤΟΥ SPA ΔΙΟΤΙ ΟΡΙΣΜΕΝΑ ΦΑΡΜΑΚΑ ΜΠΟΡΕΙ ΝΑ ΠΡΟΚΑΛΕΣΟΥΝ ΥΠΝΗΛΙΑ, ΕΝΩ ΑΛΛΑ ΦΑΡΜΑΚΑ ΜΠΟΡΕΙ ΝΑ ΕΠΗΡΕΑΣΟΥΝ ΤΟΝ ΚΑΡΔΙΑΚΟ ΡΥΘΜΟ, ΤΗΝ ΑΡΤΗΡΙΑΚΗ ΠΙΕΣΗ ΚΑΙ ΤΗΝ ΚΥΚΛΟΦΟΡΙΑ.
- **ΓΙΑ ΝΑ ΜΕΙΩΣΕΤΕ ΤΟΝ ΚΙΝΔΥΝΟ ΤΡΑΥΜΑΤΙΣΜΟΥ:** ΠΟΤΕ ΜΗΝ ΡΙΧΝΕΤΕ ΝΕΡΟ ΜΕ ΘΕΡΜΟΚΡΑΣΙΑ ΥΨΗΛΟΤΕΡΗ ΤΩΝ 40°C (104°F) ΑΠΕΥΘΕΙΑΣ ΜΕΣΑ ΣΤΗΝ ΠΙΣΙΝΑ SPA.
- Η ΧΡΗΣΗ ΑΛΚΟΟΛ, ΝΑΡΚΩΤΙΚΩΝ Ή ΦΑΡΜΑΚΩΝ ΜΠΟΡΕΙ ΝΑ ΑΥΞΗΣΕΙ ΣΗΜΑΝΤΙΚΑ ΤΟΝ ΚΙΝΔΥΝΟ ΘΑΝΑΤΗΦΟΡΑΣ ΥΠΕΡΘΕΡΜΙΑΣ. ΥΠΕΡΘΕΡΜΙΑ ΣΗΜΕΙΩΝΕΤΑΙ ΟΤΑΝ Η ΕΣΩΤΕΡΙΚΗ ΘΕΡΜΟΚΡΑΣΙΑ ΤΟΥ ΣΩΜΑΤΟΣ ΦΤΑΣΕΙ ΣΕ ΕΝΑ ΕΠΙΠΕΔΟ ΠΟΥ ΕΙΝΑΙ ΑΡΚΕΤΟΥΣ ΒΑΘΜΟΥΣ ΠΑΝΩ ΑΠΟ ΤΗΝ ΚΑΝΟΝΙΚΗ ΘΕΡΜΟΚΡΑΣΙΑ ΣΩΜΑΤΟΣ ΤΩΝ 37°C (98,6°F). ΤΑ ΣΥΜΠΤΩΜΑΤΑ ΤΗΣ ΥΠΕΡΘΕΡΜΙΑΣ ΠΕΡΙΛΑΜΒΑΝΟΥΝ ΑΥΞΗΣΗ ΤΗΣ ΕΣΩΤΕΡΙΚΗΣ ΘΕΡΜΟΚΡΑΣΙΑΣ ΤΟΥ ΣΩΜΑΤΟΣ, ΖΑΛΗ, ΛΗΘΑΡΓΟ, ΥΠΝΗΛΙΑ, ΚΑΙ ΛΙΠΟΘΥΜΙΑ. ΤΑ ΑΠΟΤΕΛΕΣΜΑΤΑ ΤΗΣ ΥΠΕΡΘΕΡΜΙΑΣ ΠΕΡΙΛΑΜΒΑΝΟΥΝ ΑΝΙΚΑΝΟΤΗΤΑ ΑΝΤΙΛΗΨΗΣ ΤΗΣ ΘΕΡΜΟΤΗΤΑΣ, ΑΔΥΝΑΜΙΑ ΑΝΑΓΝΩΡΙΣΗΣ ΤΗΣ ΑΝΑΓΚΗΣ ΕΞΟΔΟΥ ΑΠΟ ΤΟ SPA Ή ΤΟ ΥΔΡΟΜΑΣΑΖ, ΑΓΝΟΙΑ ΤΟΥ ΕΠΙΚΕΙΜΕΝΟΥ ΚΙΝΔΥΝΟΥ, ΕΜΒΡΥΪΚΗ ΒΛΑΒΗ ΣΕ ΕΓΚΥΕΣ ΓΥΝΑΙΚΕΣ, ΦΥΣΙΚΗ ΑΔΥΝΑΜΙΑ ΕΞΟΔΟΥ ΑΠΟ ΤΟ SPA Ή ΥΔΡΟΜΑΣΑΖ ΚΑΙ ΑΠΩΛΕΙΑ ΤΩΝ ΑΙΣΘΗΣΕΩΝ ΜΕ ΑΠΟΤΕΛΕΣΜΑ ΤΟΝ ΚΙΝΔΥΝΟ ΠΝΙΓΜΟΥ.

- ΟΙ ΗΛΕΚΤΡΙΚΕΣ ΕΓΚΑΤΑΣΤΑΣΕΙΣ ΘΑ ΠΡΕΠΕΙ ΝΑ ΑΚΟΛΟΥΘΟΥΝ ΤΟΥΣ ΕΘΝΙΚΟΥΣ ΚΑΝΟΝΕΣ ΚΑΛΩΔΙΩΣΗΣ, ΣΥΜΒΟΥΛΕΥΤΕΙΤΕ ΕΝΑΝ ΠΙΣΤΟΠΟΙΗΜΕΝΟ ΗΛΕΚΤΡΟΛΟΓΟ ΓΙΑ ΟΠΟΙΕΣΔΗΠΟΤΕ ΕΡΩΤΗΣΕΙΣ.

### ΣΥΜΒΟΥΛΕΥΤΕΙΤΕ ΤΟ ΓΙΑΤΡΟ ΣΑΣ.

#### ΠΡΟΣΟΧΗ:

- ΤΟ SPA ΔΕΝ ΠΡΕΠΕΙ ΝΑ ΤΟΠΟΘΕΤΕΙΤΑΙ Ή ΝΑ ΠΑΡΑΜΕΝΕΙ ΣΤΟ ΥΠΑΙΘΡΟ ΣΕ ΘΕΡΜΟΚΡΑΣΙΑ ΧΑΜΗΛΟΤΕΡΗ ΤΩΝ 4°C (40°F).
- ΜΗΝ ΧΡΗΣΙΜΟΠΟΙΕΙΤΕ ΤΟ SPA ΜΟΝΟΙ ΣΑΣ.
- ΑΤΟΜΑ ΜΕ ΛΟΙΜΩΔΗ ΝΟΣΗΜΑΤΑ ΔΕΝ ΠΡΕΠΕΙ ΝΑ ΧΡΗΣΙΜΟΠΟΙΟΥΝ ΕΝΑ SPA.
- ΜΗΝ ΧΡΗΣΙΜΟΠΟΙΕΙΤΕ ΤΟ SPA ΑΜΕΣΩΣ ΜΕΤΑ ΑΠΟ ΕΝΤΟΝΗ ΑΣΚΗΣΗ.
- ΠΑΝΤΟΤΕ ΕΙΣΕΡΧΕΣΤΕ ΚΑΙ ΕΞΕΡΧΕΣΤΕ ΑΠΟ ΤΟ SPA ΑΡΓΑ ΚΑΙ ΠΡΟΣΕΚΤΙΚΑ. ΟΙ ΥΓΡΕΣ ΕΠΙΦΑΝΕΙΕΣ ΕΙΝΑΙ ΟΛΙΣΘΗΡΕΣ.
- ΓΙΑ ΑΠΟΦΥΓΗ ΒΛΑΒΗΣ ΣΤΗΝ ΑΝΤΛΙΑ, ΤΟ SPA ΔΕΝ ΠΡΕΠΕΙ ΠΟΤΕ ΝΑ ΛΕΙΤΟΥΡΓΕΙ ΕΑΝ ΔΕΝ ΕΙΝΑΙ ΓΕΜΑΤΟ ΜΕ ΝΕΡΟ.
- ΕΓΚΑΤΑΛΕΙΨΤΕ ΑΜΕΣΩΣ SPA ΕΑΝ Ο ΧΡΗΣΤΗΣ ΑΙΣΘΑΝΘΕΙ ΑΒΟΛΑ Ή ΥΠΗΛΙΑ.
- ΠΟΤΕ ΜΗΝ ΠΡΟΣΘΕΤΕΤΕ ΝΕΡΟ ΣΕ ΧΗΜΙΚΑ. ΠΑΝΤΟΤΕ ΠΡΟΣΘΕΤΕΤΕ ΧΗΜΙΚΑ ΣΤΟ ΝΕΡΟ ΓΙΑ ΝΑ ΑΠΟΦΥΓΕΤΕ ΙΣΧΥΡΕΣ ΑΝΑΘΥΜΙΑΣΕΙΣ Ή ΒΙΑΙΕΣ ΑΝΤΙΔΡΑΣΕΙΣ ΠΟΥ ΜΠΟΡΕΙ ΝΑ ΠΡΟΚΑΛΕΣΟΥΝ ΨΕΚΑΣΜΟ ΕΠΙΚΙΝΔΥΝΟΥ ΧΗΜΙΚΟΥ.
- ΣΕ ΟΤΙ ΑΦΟΡΑ ΤΙΣ ΠΛΗΡΟΦΟΡΙΕΣ ΣΧΕΤΙΚΑ ΜΕ ΤΟΝ ΚΑΘΑΡΙΣΜΟ, ΤΗ ΣΥΝΤΗΡΗΣΗ ΤΟΥ ΝΕΡΟΥ ΚΑΙ ΤΗΝ ΑΠΟΡΡΙΨΗ ΤΟΥ ΝΕΡΟΥ, ΠΑΡΑΚΑΛΟΥΜΕ ΔΕΙΤΕ ΤΗΝ ΕΝΟΤΗΤΑ "ΣΥΝΤΗΡΗΣΗ".
- ΣΕ ΟΤΙ ΑΦΟΡΑ ΤΙΣ ΠΛΗΡΟΦΟΡΙΕΣ ΣΧΕΤΙΚΑ ΜΕ ΤΗΝ ΕΓΚΑΤΑΣΤΑΣΗ, ΠΑΡΑΚΑΛΟΥΜΕ ΑΝΑΤΡΕΞΕΤΕ ΣΤΗΝ ΠΑΡΑΚΑΤΩ ΠΑΡΑΓΡΑΦΟ ΤΟΥ ΕΓΧΕΙΡΙΔΙΟΥ.

#### ΣΗΜΕΙΩΣΗ:

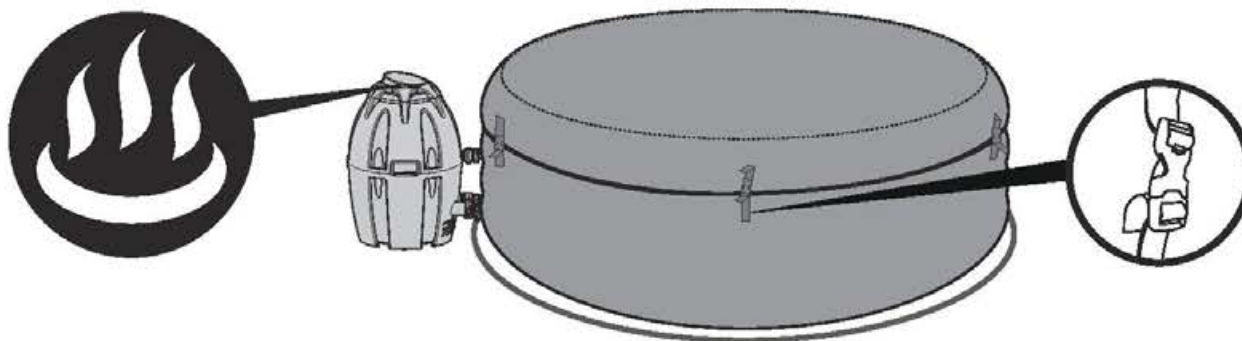
- ΠΑΡΑΚΑΛΟΥΜΕ ΕΞΕΤΑΣΤΕ ΤΟΝ ΕΞΟΠΛΙΣΜΟ ΠΡΙΝ ΑΠΟ ΤΗ ΧΡΗΣΗ. ΕΝΗΜΕΡΩΣΤΕ ΤΗΝ BESTWAY ΣΤΗ ΔΙΕΥΘΥΝΣΗ ΕΞΥΠΗΡΕΤΗΣΗΣ ΠΕΛΑΤΩΝ ΠΟΥ ΑΝΑΓΡΑΦΕΤΑΙ ΣΕ ΑΥΤΟ ΤΟ ΕΓΧΕΙΡΙΔΙΟ ΓΙΑ ΟΠΟΙΑΔΗΠΟΤΕ ΕΞΑΡΤΗΜΑΤΑ ΕΙΝΑΙ ΚΑΤΕΣΤΡΑΜΜΕΝΑ Ή ΛΕΙΠΟΥΝ ΚΑΤΑ ΤΗΝ ΑΓΟΡΑ. ΒΕΒΑΙΩΘΕΙΤΕ ΟΤΙ ΤΑ ΕΞΑΡΤΗΜΑΤΑ ΤΟΥ ΕΞΟΠΛΙΣΜΟΥ ΑΝΤΙΠΡΟΣΩΠΕΥΟΥΝ ΤΑ ΜΟΝΤΕΛΑ ΠΟΥ ΕΙΧΑΤΕ ΤΗΝ ΠΡΟΘΕΣΗ ΝΑ ΑΓΟΡΑΣΕΤΕ.
- ΤΟ ΠΡΟΪΟΝ ΑΥΤΟ ΔΕΝ ΠΡΟΟΡΙΖΕΤΑΙ ΓΙΑ ΕΜΠΟΡΙΚΗ ΧΡΗΣΗ.

## ΦΥΛΑΞΤΕ ΑΥΤΕΣ ΤΙΣ ΟΔΗΓΙΕΣ

### ΣΗΜΑΝΤΙΚΟ!

ΓΙΑ ΝΑ ΕΠΙΤΕΥΧΘΟΥΝ ΟΙ 40°C (104°F), Η ΑΠΑΙΤΟΥΜΕΝΗ ΔΙΑΡΚΕΙΑ ΘΕΡΜΑΝΣΗΣ ΒΑΣΙΖΕΤΑΙ ΣΤΗΝ ΑΡΧΙΚΗ ΘΕΡΜΟΚΡΑΣΙΑ ΤΟΥ ΝΕΡΟΥ ΚΑΙ ΤΗ ΘΕΡΜΟΚΡΑΣΙΑ ΠΕΡΙΒΑΛΛΟΝΤΟΣ, ΤΑ ΠΑΡΑΚΑΤΩ ΣΤΟΙΧΕΙΑ ΕΙΝΑΙ ΚΑΘΑΡΑ ΕΝΔΕΙΚΤΙΚΑ. ΓΙΑ ΝΑ ΕΜΦΑΝΙΣΤΕ ΤΗΝ ΤΡΕΧΟΥΣΑ ΘΕΡΜΟΚΡΑΣΙΑ ΝΕΡΟΥ, ΛΕΙΤΟΥΡΓΗΣΤΕ ΤΟ ΣΥΣΤΗΜΑ ΦΙΛΤΡΑΡΙΣΜΑΤΟΣ ΓΙΑ ΤΟΥΛΑΧΙΣΤΟΝ ΕΝΑ ΛΕΠΤΟ.

ΘΕΡΜΟΚΡΑΣΙΑ ΠΕΡΙΒΑΛΛΟΝΤΟΣ	ΘΕΡΜΟΚΡΑΣΙΑ ΝΕΡΟΥ	ΘΕΡΜΟΚΡΑΣΙΑ ΡΥΘΜΙΣΗΣ	ΔΙΑΡΚΕΙΑ ΘΕΡΜΑΝΣΗΣ
10°C(50°F)	10°C(50°F)	40°C(104°F)	18,5h
15°C(59°F)	15°C(59°F)	40°C(104°F)	15h
20°C(68°F)	20°C(68°F)	40°C(104°F)	11,5h
25°C(77°F)	25°C(77°F)	40°C(104°F)	8,5h
30°C(86°F)	30°C(86°F)	40°C(104°F)	5,5h

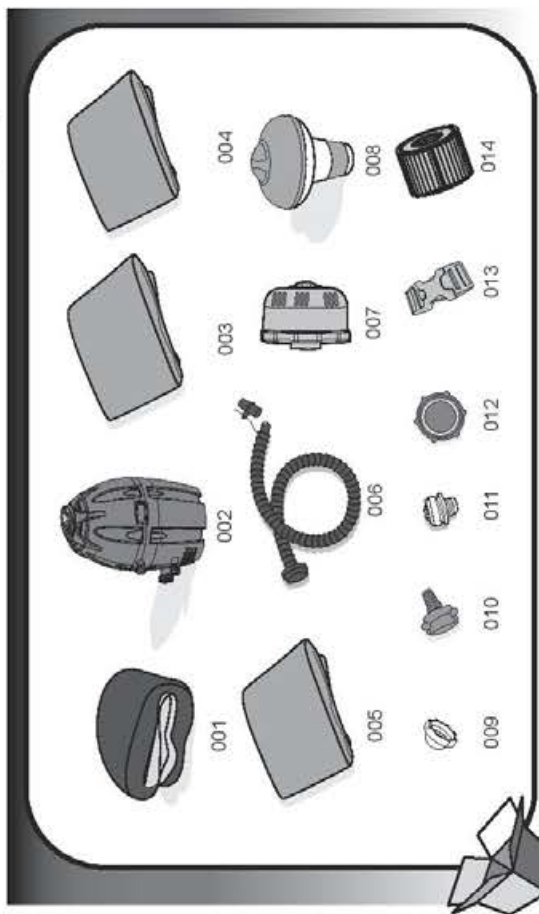


ΒΕΒΑΙΩΘΕΙΤΕ ΟΤΙ ΚΑΛΥΠΤΕΤΕ ΤΟ SPA ΜΕ ΤΟ ΚΑΛΥΜΜΑ SPA ΚΑΘΕ ΦΟΡΑ ΠΟΥ ΕΝΕΡΓΟΠΟΙΕΙΤΑΙ Η ΛΕΙΤΟΥΡΓΙΑ ΘΕΡΜΑΝΣΗΣ. ΑΦΗΝΟΝΤΑΣ ΤΟ SPA ΑΚΑΛΥΠΤΟ ΘΑ ΑΥΞΗΘΕΙ Η ΑΠΑΙΤΟΥΜΕΝΗ ΔΙΑΡΚΕΙΑ ΤΗΣ ΘΕΡΜΑΝΣΗΣ. ΠΑΡΑΚΑΛΟΥΜΕ ΜΗΝ ΧΡΗΣΙΜΟΠΟΙΕΙΤΕ ΤΟ SPA, ΟΤΑΝ Η ΘΕΡΜΟΚΡΑΣΙΑ ΠΕΡΙΒΑΛΛΟΝΤΟΣ ΕΙΝΑΙ ΧΑΜΗΛΟΤΕΡΗ ΑΠΟ 4°C (39°F).

## ΠΡΟΔΙΑΓΡΑΦΕΣ ΓΙΑ LAY-Z-SPA™ VEGAS AirJet (#54112)

ΧΡΗΤΙΚΟΤΗΤΑ:	4-6 ΕΝΗΛΙΚΕΣ	ΦΥΣΗΤΗΡΑΣ ΜΑΣΑΖ Turbo:	800W	ΑΥΞΗΜΕΝΟΣ ΡΥΘΜΟΣ ΘΕΡΜΑΝΣΗΣ:	1,5-2" C/h (3-4" F/h)	ΠΕΡΙΠΟΥ ΝΕΡΟΥ (80%):	935 L (247 gal)
ΧΡΗΤΙΚΟΤΗΤΑ ΝΕΡΟΥ (80%):	1,96μ. x 61εκ. (77" x 24")	ΘΕΡΜΑΝΤΙΚΟ ΣΤΟΙΧΕΙΟ:	2.000W	ΠΡΑΓΜΑΤΙΚΗ ΠΑΡΟΧΗ ΝΕΡΟΥ:	1.325 L/h (350 gal/h)	ΜΕΓΕΘΟΣ ΦΟΥΣΚΩΜΕΝΟ:	220-240V AC
ΒΑΡΟΣ ΠΛΗΡΩΣΗΣ:	966 kg (2.130 Lb)	ΑΝΤΛΙΑ:	50W ΑΝΤΛΙΑ ΦΙΛΤΡΟΥ ΚΥΚΛΟΦΟΡΙΑΣ	ΟΝΟΜΑΣΤΙΚΗ ΙΣΧΥΣ:	2.050W ΣΤΟΥΣ 20°C	ΠΙΕΣΗ ΛΕΙΤΟΥΡΓΙΑΣ:	0,8PSI (0,055Bar)

**ΣΗΜΕΙΩΣΗ:** Ο ΠΑΡΑΠΑΝΩ ΡΥΘΜΟΣ ΘΕΡΜΑΝΣΗΣ ΒΑΣΙΖΕΤΑΙ ΣΕ ΜΙΑ ΕΡΓΑΣΤΗΡΙΑΚΗ ΔΟΚΙΜΗ ΠΟΥ ΔΙΕΞΗΧΘΗΚΕ ΜΕ ΘΕΡΜΟΚΡΑΣΙΑ ΠΕΡΙΒΑΛΛΟΝΤΟΣ 25°C (77°F) ΚΑΙ ΠΑΝΩ.



ΚΩΔΙΚΟΣ ΕΞΑΡΤΗΜΑΤΟΣ	ΚΩΔΙΚΟΣ ΕΞΑΡΤΗΜΑΤΟΣ	ΠΕΡΙΓΡΑΦΗ	ΠΟΣ.
001	54112T ASS15	ΕΠΕΝΔΥΣΗ ΠΙΣΙΝΑΣ	1
002	P4H054ASS17	ΘΕΡΜΑΝΤΗΡΑΣ SPA	1
003	P5H284GASS17	ΠΑΝΩ ΚΑΛΥΜΜΑ Leatheroid	1
004	P5H284T ASS17	ΚΑΤΩ ΚΑΛΥΜΜΑ Leatheroid	1
005	54112G ASS15	ΦΟΥΣΚΩΤΟ ΚΑΛΥΜΜΑ	1
006	P6931	ΕΥΚΑΜΠΤΟΣ ΣΩΛΗΝΑΣ ΠΛΗΡΩΣΗΣ ΑΕΡΑ	1
007	P6653	ΣΕΤ ΦΙΛΤΡΟΥ	1
008	58426S17	ΧΗΜΙΚΟΣ ΠΛΩΤΗΡΑΣ	1
009	P6575	ΤΑΠΕΣ	2
010	P6932	ΠΡΟΣΑΡΜΟΓΕΑΣ ΓΙΑ ΕΥΚΑΜΠΤΟ ΣΩΛΗΝΑ	1
011	F4A024ASS	ΒΙΟΔΗ ΒΑΛΒΙΔΑ	1
012	P6611	ΠΡΟΣΑΡΜΟΓΕΑΣ ΚΑΛΥΜΜΑΤΟΣ Α	1
013	F6414ASS	ΑΓΚΡΑΦΑ	8
014	58323	ΣΤΟΙΧΕΙΟ ΦΙΛΤΡΟΥ (N)	2

## ΠΡΟΔΙΑΓΡΑΦΕΣ ΓΙΑ LAY-Z-SPA™ MONACO AirJet (#54113)

ΧΡΗΤΙΚΟΤΗΤΑ:	6-8 ΕΝΗΛΙΚΕΣ	ΦΥΣΗΤΗΡΑΣ ΜΑΣΑΖ Turbo:	800W	ΑΥΞΗΜΕΝΟΣ ΡΥΘΜΟΣ ΘΕΡΜΑΝΣΗΣ:	1,0-1,5" C/h (2-3" F/h)	ΠΕΡΙΠΟΥ ΝΕΡΟΥ (80%):	1.325 L/h (350 gal/h)
ΧΡΗΤΙΚΟΤΗΤΑ ΝΕΡΟΥ (80%):	1.463 L (384 gal)	ΘΕΡΜΑΝΤΙΚΟ ΣΤΟΙΧΕΙΟ:	2.000W	ΠΡΑΓΜΑΤΙΚΗ ΠΑΡΟΧΗ ΝΕΡΟΥ:	1.325 L/h (350 gal/h)	ΜΕΓΕΘΟΣ ΦΟΥΣΚΩΜΕΝΟ:	220-240V AC
ΒΑΡΟΣ ΠΛΗΡΩΣΗΣ:	1.490 kg (3.284 Lb)	ΑΝΤΛΙΑ:	50W ΑΝΤΛΙΑ ΦΙΛΤΡΟΥ ΚΥΚΛΟΦΟΡΙΑΣ	ΟΝΟΜΑΣΤΙΚΗ ΙΣΧΥΣ:	2.050W ΣΤΟΥΣ 20°C	ΠΙΕΣΗ ΛΕΙΤΟΥΡΓΙΑΣ:	7PSI-10PSI (0,48Bar-0,69Bar)

**ΣΗΜΕΙΩΣΗ:** Ο ΠΑΡΑΠΑΝΩ ΡΥΘΜΟΣ ΘΕΡΜΑΝΣΗΣ ΒΑΣΙΖΕΤΑΙ ΣΕ ΜΙΑ ΕΡΓΑΣΤΗΡΙΑΚΗ ΔΟΚΙΜΗ ΠΟΥ ΔΙΕΞΗΧΘΗΚΕ ΜΕ ΘΕΡΜΟΚΡΑΣΙΑ ΠΕΡΙΒΑΛΛΟΝΤΟΣ 25°C (77°F) ΚΑΙ ΠΑΝΩ.

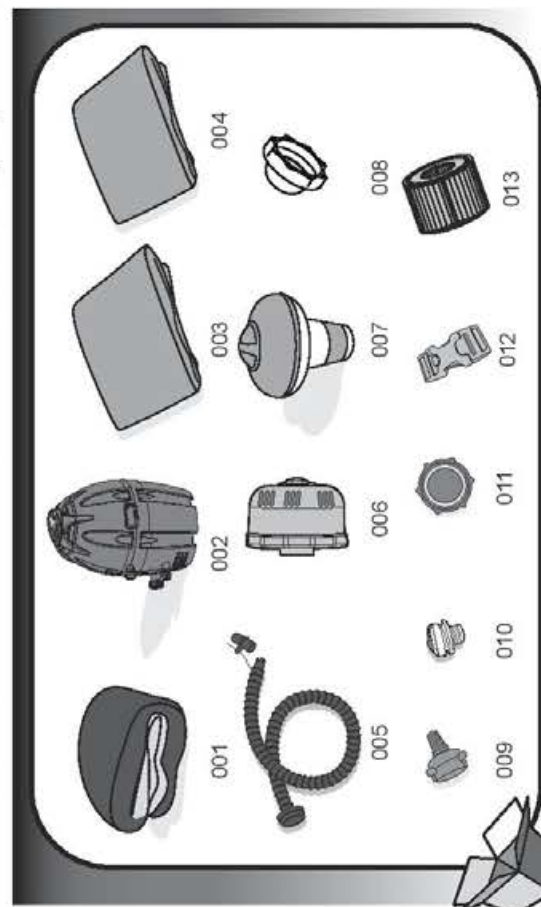


ΚΩΔΙΚΟΣ ΕΞΑΡΤΗΜΑΤΟΣ	ΚΩΔΙΚΟΣ ΕΞΑΡΤΗΜΑΤΟΣ	ΠΕΡΙΓΡΑΦΗ	ΠΟΣ.
001	54113T ASS17	ΕΠΕΝΔΥΣΗ ΠΙΣΙΝΑΣ	1
002	P4D148ASS17	ΘΕΡΜΑΝΤΗΡΑΣ SPA	1
003	P5D288A ASS17	ΠΑΝΩ ΚΑΛΥΜΜΑ Leatheroid	1
004	54113G ASS17	ΦΟΥΣΚΩΤΟ ΚΑΛΥΜΜΑ	1
005	P6931	ΕΥΚΑΜΠΤΟΣ ΣΩΛΗΝΑΣ ΠΛΗΡΩΣΗΣ ΑΕΡΑ	1
006	P6653	ΣΕΤ ΦΙΛΤΡΟΥ	1
007	58426S17	ΧΗΜΙΚΟΣ ΠΛΩΤΗΡΑΣ	1
008	P3054C17	ΧΕΙΡΟΚΙΝΗΤΗ ΑΝΤΛΙΑ ΥΨΗΛΗΣ ΠΙΕΣΗΣ	1
009	F6H189ASS15	ΚΝΕΙΔΙ	1
010	P6575	ΤΑΠΕΣ	2
011	P6932	ΠΡΟΣΑΡΜΟΓΕΑΣ ΓΙΑ ΕΥΚΑΜΠΤΟ ΣΩΛΗΝΑ	1
012	P6608	ΜΑΝΟΜΕΤΡΟ	1
013	P6611	ΠΡΟΣΑΡΜΟΓΕΑΣ ΚΑΛΥΜΜΑΤΟΣ Α	1
014	12632ASS15	ΦΟΥΣΚΩΤΑ ΜΠΕΛΙΔΑΡΙΑ	4
015	P6H971	ΒΑΛΒΙΔΑ ΠΛΗΡΩΣΗΣ ΑΕΡΑ	1
016	F6414ASS	ΑΓΚΡΑΦΑ	6
017	58323	ΣΤΟΙΧΕΙΟ ΦΙΛΤΡΟΥ (N)	2

## ΠΡΟΔΙΑΓΡΑΦΕΣ ΓΙΑ LAY-Z-SPA™ MIAMI AirJet (#54123)

ΧΩΡΗΤΙΚΟΤΗΤΑ:	2-4 ΕΝΗΛΙΚΕΣ	ΦΥΣΗΤΗΡΑΣ ΜΑΣΑΖ Turbo:	800W	ΑΥΞΗΜΕΝΟΣ ΡΥΘΜΟΣ ΘΕΡΜΑΝΣΗΣ:	1,5-2°C/h (3-4°F/h)	ΠΕΡΙΠΟΥ:
ΧΩΡΗΤΙΚΟΤΗΤΑ ΝΕΡΟΥ (80%):	669 L (177 gal)	ΘΕΡΜΑΝΤΙΚΟ ΣΤΟΙΧΕΙΟ:	2.000W	ΠΡΑΓΜΑΤΙΚΗ ΠΑΡΟΧΗ ΝΕΡΟΥ:	1.325 L/h (350 gal/h)	
ΜΕΓΕΘΟΣ ΦΟΥΣΚΩΜΕΝΟ ΠΛΗΡΩΣΗΣ:	1,80μ. x 66εκ.κατ. (7'1" x 26")	ΑΝΤΛΙΑ:	50W ΑΝΤΛΙΑ ΦΙΛΤΡΟΥ ΚΥΚΛΟΦΟΡΙΑΣ	ΟΝΟΜΑΣΤΙΚΗ ΙΣΧΥΣ:	220-240V AC, 2.050W ΣΤΟΥΣ 20°C	
ΒΑΡΟΣ ΠΛΗΡΩΣΗΣ:	696 kg (1.534 lb)	ΙΚΑΝΟΤΗΤΑ ΘΕΡΜΑΝΣΗΣ:	40°C (104°F)	ΠΙΕΣΗ ΛΕΙΤΟΥΡΓΙΑΣ:	0,8PSI (0,055Bar)	

**ΣΗΜΕΙΩΣΗ:** Ο ΠΑΡΑΠΑΝΩ ΡΥΘΜΟΣ ΘΕΡΜΑΝΣΗΣ ΒΑΣΙΖΕΤΑΙ ΣΕ ΜΙΑ ΕΡΓΑΣΤΗΡΙΑΚΗ ΔΟΚΙΜΗ ΠΟΥ ΔΙΕΞΗΧΘΗΚΕ ΜΕ ΘΕΡΜΟΚΡΑΣΙΑ ΠΕΡΙΒΑΛΛΟΝΤΟΣ 25°C (77°F) ΚΑΙ ΠΑΝΩ.

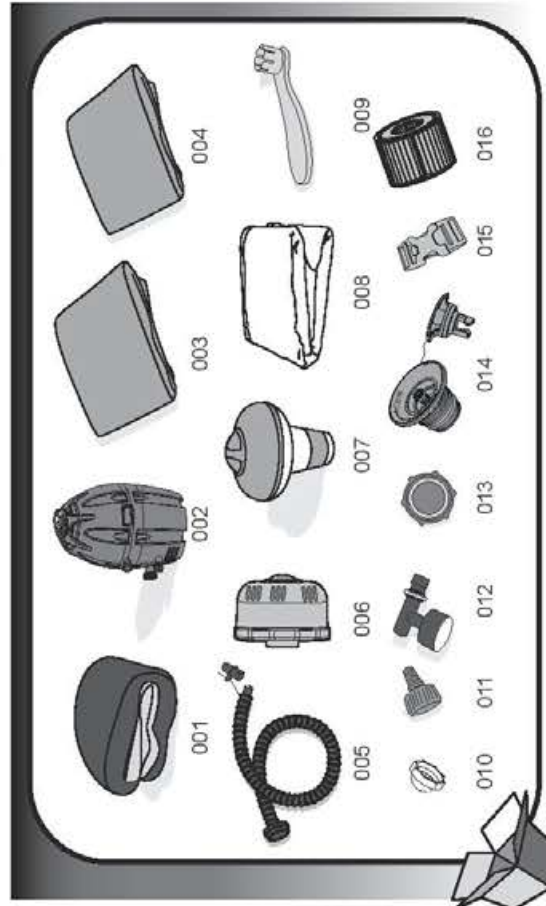


ΑΡ. ΕΞΑΡΤΗΜΑΤΟΣ	ΚΩΔΙΚΟΣ ΕΞΑΡΤΗΜΑΤΟΣ	ΠΕΡΙΓΡΑΦΗ	ΠΟΣ.
001	54123TASS17	ΕΠΕΝΔΥΣΗ ΠΙΣΙΝΑΣ	1
002	P4H054AASS17	ΘΕΡΜΑΝΤΗΡΑΣ SPA	1
003	P5C364AASS17	ΕΠΑΝΩ ΕΝΙΣΧΥΜΕΝΟ ΚΑΛΥΜΜΑ	1
004	54123GASS17	ΦΟΥΣΚΩΤΟ ΚΑΛΥΜΜΑ	1
005	P6931	ΕΥΚΑΜΠΤΟΣ ΣΩΛΗΝΑΣ ΠΛΗΡΩΣΗΣ ΑΕΡΑ	1
006	P6653	ΣΕΤ ΦΙΛΤΡΟΥ	1
007	58426S17	ΧΗΜΙΚΟΣ ΠΑΛΤΗΡΑΣ	1
008	P6575	ΤΑΠΕΣ	2
009	P6932	ΠΡΟΣΑΡΜΟΓΕΑΣ ΓΙΑ ΕΥΚΑΜΠΤΟ ΣΩΛΗΝΑ	1
010	F4024AASS	ΒΙΔΙΩΤΗ ΒΑΛΒΙΔΑ	1
011	P6611	ΠΡΟΣΑΡΜΟΓΕΑΣ ΚΑΛΥΜΜΑΤΟΣ Α	1
012	F6414AASS	ΑΓΚΡΑΦΑ	6
013	58323	ΣΤΟΙΧΕΙΟ ΦΙΛΤΡΟΥ (V)	2

## ΠΡΟΔΙΑΓΡΑΦΕΣ ΓΙΑ LAY-Z-SPA™ PALM SPRINGS AirJet (#54129)

ΧΩΡΗΤΙΚΟΤΗΤΑ:	4-6 ΕΝΗΛΙΚΕΣ	ΦΥΣΗΤΗΡΑΣ ΜΑΣΑΖ Turbo:	800W	ΑΥΞΗΜΕΝΟΣ ΡΥΘΜΟΣ ΘΕΡΜΑΝΣΗΣ:	1,5-2°C/h (3-4°F/h)	ΠΕΡΙΠΟΥ:
ΧΩΡΗΤΙΚΟΤΗΤΑ ΝΕΡΟΥ (80%):	916 L (242 gal)	ΘΕΡΜΑΝΤΙΚΟ ΣΤΟΙΧΕΙΟ:	2.000W	ΠΡΑΓΜΑΤΙΚΗ ΠΑΡΟΧΗ ΝΕΡΟΥ:	1.325 L/h (350 gal/h)	
ΜΕΓΕΘΟΣ ΦΟΥΣΚΩΜΕΝΟ ΠΛΗΡΩΣΗΣ:	1,96μ. x 71εκ.κατ. (7'7" x 28")	ΑΝΤΛΙΑ:	50W ΑΝΤΛΙΑ ΦΙΛΤΡΟΥ ΚΥΚΛΟΦΟΡΙΑΣ	ΟΝΟΜΑΣΤΙΚΗ ΙΣΧΥΣ:	220-240V AC, 2.050W ΣΤΟΥΣ 20°C	
ΒΑΡΟΣ ΠΛΗΡΩΣΗΣ:	954 kg (2.103 lb)	ΙΚΑΝΟΤΗΤΑ ΘΕΡΜΑΝΣΗΣ:	40°C (104°F)	ΠΙΕΣΗ ΛΕΙΤΟΥΡΓΙΑΣ:	1,2PSI (0,08Bar)	

**ΣΗΜΕΙΩΣΗ:** Ο ΠΑΡΑΠΑΝΩ ΡΥΘΜΟΣ ΘΕΡΜΑΝΣΗΣ ΒΑΣΙΖΕΤΑΙ ΣΕ ΜΙΑ ΕΡΓΑΣΤΗΡΙΑΚΗ ΔΟΚΙΜΗ ΠΟΥ ΔΙΕΞΗΧΘΗΚΕ ΜΕ ΘΕΡΜΟΚΡΑΣΙΑ ΠΕΡΙΒΑΛΛΟΝΤΟΣ 25°C (77°F) ΚΑΙ ΠΑΝΩ.

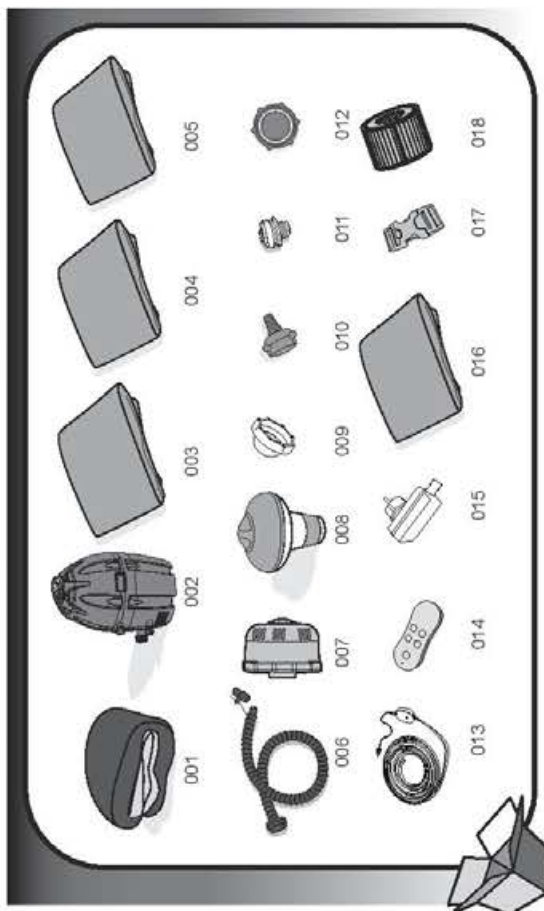


ΑΡ. ΕΞΑΡΤΗΜΑΤΟΣ	ΚΩΔΙΚΟΣ ΕΞΑΡΤΗΜΑΤΟΣ	ΠΕΡΙΓΡΑΦΗ	ΠΟΣ.
001	54129TASS17	ΕΠΕΝΔΥΣΗ ΠΙΣΙΝΑΣ	1
002	P4E079AASS17	ΘΕΡΜΑΝΤΗΡΑΣ SPA	1
003	P5B401AASS17	ΠΑΝΩ ΚΑΛΥΜΜΑ Leatheroid	1
004	54129GASS17	ΦΟΥΣΚΩΤΟ ΚΑΛΥΜΜΑ	1
005	P6930	ΕΥΚΑΜΠΤΟΣ ΣΩΛΗΝΑΣ ΠΛΗΡΩΣΗΣ ΑΕΡΑ	1
006	P6653	ΣΕΤ ΦΙΛΤΡΟΥ	1
007	58426S17	ΧΗΜΙΚΟΣ ΠΑΛΤΗΡΑΣ	1
008	58321(H)S15	ΣΤΡΩΜΑ ΕΔΑΦΟΥΣ	1
009	F6H189AASS15	ΚΛΕΙΣΙ	1
010	P6575	ΤΑΠΕΣ	2
011	P6H565	ΠΡΟΣΑΡΜΟΓΕΑΣ ΓΙΑ ΕΥΚΑΜΠΤΟ ΣΩΛΗΝΑ	1
012	P61199	ΜΑΝΟΜΕΤΡΟ	1
013	P6611	ΠΡΟΣΑΡΜΟΓΕΑΣ ΚΑΛΥΜΜΑΤΟΣ Α	1
014	P6H971	ΒΑΛΒΙΔΑ ΠΛΗΡΩΣΗΣ ΑΕΡΑ	1
015	F6414AASS	ΑΓΚΡΑΦΑ	6
016	58323	ΣΤΟΙΧΕΙΟ ΦΙΛΤΡΟΥ (V)	2

## ΠΡΟΔΙΑΓΡΑΦΕΣ ΓΙΑ LAY-Z-SPA™ PARIS AirJet (#54148)

ΧΩΡΗΤΙΚΟΤΗΤΑ: 4-6 ΕΝΗΛΙΚΕΣ	ΦΥΣΗΤΗΡΑΣ ΜΑΖΑΖ Turbo:	600W	ΑΥΞΗΜΕΝΟΣ ΡΥΘΜΟΣ ΘΕΡΜΑΝΣΗΣ: 1.5-2°C/h (3-4°F/h)	ΠΕΡΙΠΟΥ 1.325 L/h (350 gal/h)
ΧΩΡΗΤΙΚΟΤΗΤΑ ΝΕΡΟΥ (80%): 808 L (213 gal)	ΘΕΡΜΑΝΤΙΚΟ ΣΤΟΙΧΕΙΟ: 2.000W ΣΤΟΥΣ 20°C		ΠΡΑΓΜΑΤΙΚΗ ΠΑΡΟΧΗ ΝΕΡΟΥ:	
ΜΕΓΕΘΟΣ ΦΟΥΣΚΟΜΕΝΟ (77" x 26")	ΑΝΤΛΙΑ: 50W ΑΝΤΛΙΑ ΦΙΛΤΡΟΥ ΚΥΚΛΟΦΟΡΙΑΣ		ΟΝΟΜΑΣΤΙΚΗ ΙΣΧΥΣ:	220-240V AC, 2.050W ΣΤΟΥΣ 20°C
ΒΑΡΟΣ ΠΛΗΡΩΣΗΣ: 840 kg (1.851 lb)	ΙΚΑΝΟΤΗΤΑ ΘΕΡΜΑΝΣΗΣ: 40°C (104°F)		ΠΙΕΣΗ ΛΕΙΤΟΥΡΓΙΑΣ:	0.8PSI (0.055Bar)

**ΣΗΜΕΙΩΣΗ:** Ο ΠΑΡΑΠΑΝΩ ΡΥΘΜΟΣ ΘΕΡΜΑΝΣΗΣ ΒΑΣΙΖΕΤΑΙ ΣΕ ΜΙΑ ΕΡΓΑΣΤΗΡΙΑΚΗ ΔΟΚΙΜΗ ΠΟΥ ΔΙΕΞΗΧΘΗΚΕ ΜΕ ΘΕΡΜΟΚΡΑΣΙΑ ΠΕΡΙΒΑΛΛΟΝΤΟΣ 25°C (77°F) ΚΑΙ ΠΑΝΩ.

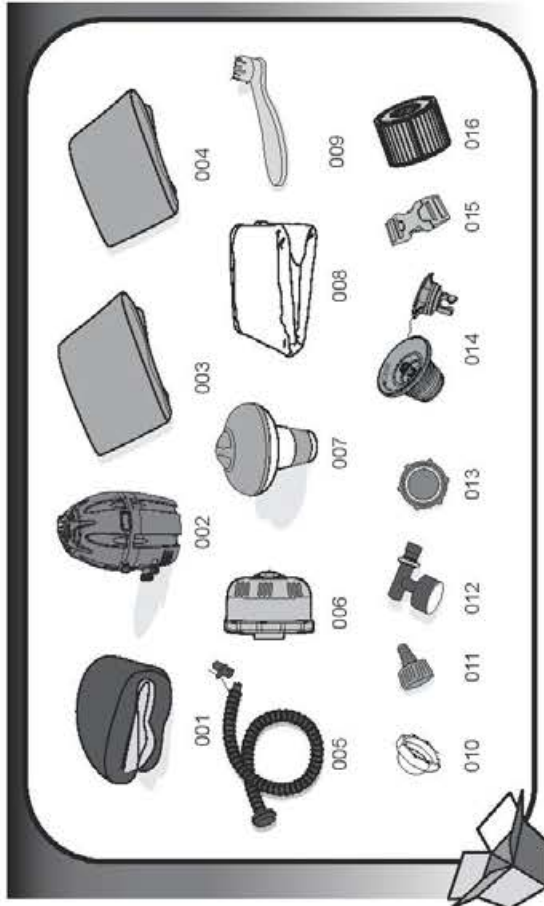


Αρ. ΕΞΑΡΤΗΜΑΤΟΣ	ΚΩΔΙΚΟΣ ΕΞΑΡΤΗΜΑΤΟΣ	ΠΕΡΙΓΡΑΦΗ	ΠΟΣ.
001	54148TASS16	ΕΠΕΝΔΥΣΗ ΠΙΣΙΝΑΣ	1
002	P4H054ASS17	ΘΕΡΜΑΝΤΗΡΑΣ SPA	1
003	F5H284GASS17	ΠΑΝΟ ΚΑΛΥΜΜΑ Leatheroid	1
004	F6H513TASS17	ΚΑΤΩ ΚΑΛΥΜΜΑ Leatheroid	1
005	54148GASS16	ΦΟΥΣΚΩΤΟ ΚΑΛΥΜΜΑ	1
006	F6931	ΕΥΚΑΜΠΤΟΣ ΣΙΔΗΡΙΑΣ ΠΛΗΡΩΣΗΣ ΑΕΡΑ	1
007	P6653	ΣΕΤ ΦΙΛΤΡΟΥ	1
008	58426S17	ΧΗΜΙΚΟΣ ΠΛΩΤΗΡΑΣ	1
009	P6575	ΤΑΠΕΣ	2
010	P6932	ΠΡΟΣΑΡΜΟΓΕΑΣ ΠΑ ΕΥΚΑΜΠΤΟ ΣΙΔΗΡΙΑ	1
011	F4A024ASS	ΒΙΛΩΤΗ ΒΑΛΒΙΔΑ	1
012	P6611	ΠΡΟΣΑΡΜΟΓΕΑΣ ΚΑΛΥΜΜΑΤΟΣ A	1
013	P61670	ΤΑΝΙΑ LED	1
014	P61232	ΤΗΛΕΧΕΙΡΙΣΤΗΡΙΟ	1
015	P61671	ΜΕΤΑΣΧΗΜΑΤΙΣΤΗΣ	1
016	58321(H)S15	ΣΤΡΩΜΑ ΕΔΑΦΟΥΣ	1
017	F6414ASS	ΑΓΚΡΑΦΑ	8
018	58323	ΣΤΟΙΧΕΙΟ ΦΙΛΤΡΟΥ (VI)	2

## ΠΡΟΔΙΑΓΡΑΦΕΣ ΓΙΑ LAY-Z-SPA™ Hawaii AirJet (#54154)

ΧΩΡΗΤΙΚΟΤΗΤΑ: 4-6 ΕΝΗΛΙΚΕΣ	ΦΥΣΗΤΗΡΑΣ ΜΑΖΑΖ Turbo:	600W	ΑΥΞΗΜΕΝΟΣ ΡΥΘΜΟΣ ΘΕΡΜΑΝΣΗΣ: 1.5-2°C/h (3-4°F/h)	ΠΕΡΙΠΟΥ 1.325 L/h (350 gal/h)
ΧΩΡΗΤΙΚΟΤΗΤΑ ΝΕΡΟΥ (80%): 840 L (222 gal)	ΘΕΡΜΑΝΤΙΚΟ ΣΤΟΙΧΕΙΟ: 2.000W ΣΤΟΥΣ 20°C		ΠΡΑΓΜΑΤΙΚΗ ΠΑΡΟΧΗ ΝΕΡΟΥ:	
ΜΕΓΕΘΟΣ ΦΟΥΣΚΟΜΕΝΟ (71" x 71" x 28")	ΑΝΤΛΙΑ: 50W ΑΝΤΛΙΑ ΦΙΛΤΡΟΥ ΚΥΚΛΟΦΟΡΙΑΣ		ΟΝΟΜΑΣΤΙΚΗ ΙΣΧΥΣ:	220-240V AC, 2.050W ΣΤΟΥΣ 20°C
ΒΑΡΟΣ ΠΛΗΡΩΣΗΣ: 879 kg (1.938 lb)	ΙΚΑΝΟΤΗΤΑ ΘΕΡΜΑΝΣΗΣ: 40°C (104°F)		ΠΙΕΣΗ ΛΕΙΤΟΥΡΓΙΑΣ:	1.2PSI (0.08Bar)

**ΣΗΜΕΙΩΣΗ:** Ο ΠΑΡΑΠΑΝΩ ΡΥΘΜΟΣ ΘΕΡΜΑΝΣΗΣ ΒΑΣΙΖΕΤΑΙ ΣΕ ΜΙΑ ΕΡΓΑΣΤΗΡΙΑΚΗ ΔΟΚΙΜΗ ΠΟΥ ΔΙΕΞΗΧΘΗΚΕ ΜΕ ΘΕΡΜΟΚΡΑΣΙΑ ΠΕΡΙΒΑΛΛΟΝΤΟΣ 25°C (77°F) ΚΑΙ ΠΑΝΩ.

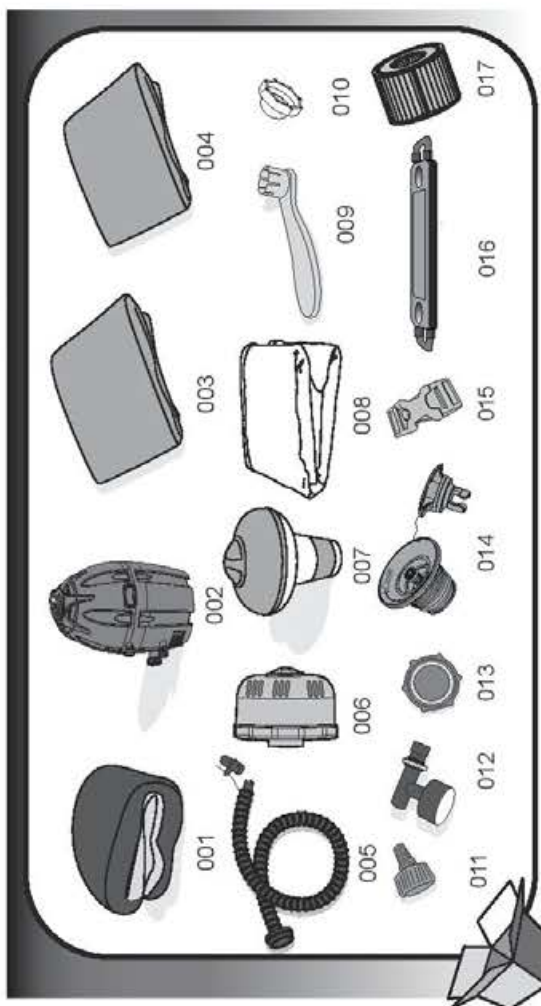


Αρ. ΕΞΑΡΤΗΜΑΤΟΣ	ΚΩΔΙΚΟΣ ΕΞΑΡΤΗΜΑΤΟΣ	ΠΕΡΙΓΡΑΦΗ	ΠΟΣ.
001	54154TASS17	ΕΠΕΝΔΥΣΗ ΠΙΣΙΝΑΣ	1
002	P4D148ASS17	ΘΕΡΜΑΝΤΗΡΑΣ SPA	1
003	F5D588GASS17	ΠΑΝΟ ΚΑΛΥΜΜΑ Leatheroid	1
004	54138GASS17	ΦΟΥΣΚΩΤΟ ΚΑΛΥΜΜΑ	1
005	F6930	ΕΥΚΑΜΠΤΟΣ ΣΙΔΗΡΙΑΣ ΠΛΗΡΩΣΗΣ ΑΕΡΑ	1
006	P6653	ΣΕΤ ΦΙΛΤΡΟΥ	1
007	58426S17	ΧΗΜΙΚΟΣ ΠΛΩΤΗΡΑΣ	1
008	58371(H)S15	ΣΤΡΩΜΑ ΕΔΑΦΟΥΣ	1
009	F6H189ASS15	ΚΛΕΙΔΙ	1
010	P6575	ΤΑΠΕΣ	2
011	P6H565	ΠΡΟΣΑΡΜΟΓΕΑΣ ΠΑ ΕΥΚΑΜΠΤΟ ΣΙΔΗΡΙΑ	1
012	P61199	ΜΑΝΟΜΕΤΡΟ	1
013	P6611	ΠΡΟΣΑΡΜΟΓΕΑΣ ΚΑΛΥΜΜΑΤΟΣ A	1
014	P6H971	ΒΑΛΒΙΔΑ ΠΛΗΡΩΣΗΣ ΑΕΡΑ	1
015	F6414ASS	ΑΓΚΡΑΦΑ	8
016	58323	ΣΤΟΙΧΕΙΟ ΦΙΛΤΡΟΥ (VI)	2

## ΠΡΟΔΙΑΓΡΑΦΕΣ ΓΙΑ LAY-Z-SPA™ Siena AirJet (#54156)

ΧΡΗΣΤΙΚΟΤΗΤΑ: 2 ΕΝΗΛΙΚΕΣ	ΦΥΣΗΤΗΡΑΣ ΜΑΖΑΣ Turbo:	800W	ΑΝΕΜΝΟΣ ΡΥΘΜΟΣ ΘΕΡΜΑΝΣΗΣ: 1.5-2°C/h (3-4°F/h)
ΧΡΗΣΤΙΚΟΤΗΤΑ ΝΕΡΟΥ (80%): 509 L (134 gal.)	ΘΕΡΜΑΝΤΙΚΟ ΣΤΟΙΧΕΙΟ:	2.000W ΣΤΟΥΣ 20°C	ΠΡΑΓΜΑΤΙΚΗ ΠΑΡΟΧΗ ΝΕΡΟΥ: 1.325 L/h (350 gal/h)
ΜΕΓΕΘΟΣ ΦΟΥΣΚΩΜΕΝΟ: (98" x 59" x 26")	ΑΝΤΛΙΑ:	50W/ΑΝΤΛΑΦΟΛΗΤΡΟΥ ΚΥΚΛΟΦΟΡΙΑΣ	ΟΝΟΜΑΣΤΙΚΗ ΙΣΧΥΣ: 2.050W ΣΤΟΥΣ 20°C
ΒΑΡΟΣ ΠΛΗΡΩΣΗΣ: 548 kg (1.205 lb)	ΙΚΑΝΟΤΗΤΑ ΘΕΡΜΑΝΣΗΣ:	40°C (104°F)	ΠΙΕΣΗ ΛΕΙΤΟΥΡΓΙΑΣ: 1.2PSI (0.08Bar)

**ΣΗΜΕΙΩΣΗ:** Ο ΠΑΡΑΠΑΝΩ ΡΥΘΜΟΣ ΘΕΡΜΑΝΣΗΣ ΒΑΣΙΖΕΤΑΙ ΣΕ ΜΙΑ ΕΡΓΑΣΤΗΡΙΑΚΗ ΔΟΚΙΜΗ ΠΟΥ ΔΙΕΞΗΧΘΗΚΕ ΜΕ ΘΕΡΜΟΚΡΑΣΙΑ ΠΕΡΙΒΑΛΜΟΝΤΟΣ 25°C (77°F) ΚΑΙ ΠΑΝΩ.



ΑΓ. ΕΞΑΡΤΗΜΑΤΟΣ	ΚΩΔΙΚΟΣ ΕΞΑΡΤΗΜΑΤΟΣ	ΠΕΡΙΓΡΑΦΗ	ΠΟΣ.
001	54156T/ASS17	ΕΠΕΝΔΥΣΗ ΠΙΣΙΝΑΣ	1
002	P4H054/ASS17	ΘΕΡΜΑΝΤΗΡΑΣ SPA	1
003	P5594/ASS17	ΠΑΝΩ ΚΑΛΥΜΜΑ Leatheroid	1
004	54156G/ASS17	ΦΟΥΣΚΩΤΟ ΚΑΛΥΜΜΑ	1
005	P6930	ΕΥΚΑΜΠΤΟΣ ΣΩΛΗΝΑΣ ΠΛΗΡΩΣΗΣ ΑΕΡΑ	1
006	P6653	ΣΕΤ ΦΙΛΤΡΟΥ	1
007	58426S17	ΧΗΜΙΚΟΣ ΠΛΑΤΗΡΑΣ	1
008	P5586	ΣΤΡΩΜΑ ΕΔΑΦΟΥΣ	1
009	F6H189A/ASS15	ΚΛΕΙΔΙ	1
010	P6575	ΤΑΠΕΣ	2
011	P6H565	ΠΡΟΣΑΡΜΟΓΕΑΣ ΓΙΑ ΕΥΚΑΜΠΤΟ ΣΩΛΗΝΑ	1
012	P61199	ΜΑΝΟΜΕΤΡΟ	1
013	P6811	ΠΡΟΣΑΡΜΟΓΕΑΣ ΚΑΛΥΜΜΑΤΟΣ A	1
014	P6H971	ΒΑΛΒΙΔΑ ΠΛΗΡΩΣΗΣ ΑΕΡΑ	1
015	F6414/ASS	ΑΓΚΡΑΦΑ	8
016	P5595	ΤΡΑΠΕΖΑΚΙ ΠΟΤΩΝ	1
017	58323	ΣΤΟΙΧΕΙΟ ΦΙΛΤΡΟΥ (V)	2

## ΕΓΚΑΤΑΣΤΑΣΗ

### ΕΠΙΛΕΓΜΕΝΗ ΤΟΠΟΘΕΣΙΑ

**ΠΡΟΕΙΔΟΠΟΙΗΣΗ:** Η ΕΠΙΛΕΓΜΕΝΗ ΤΟΠΟΘΕΣΙΑ ΠΡΕΠΕΙ ΝΑ ΜΠΟΡΕΙ ΝΑ ΥΠΟΣΤΗΡΙΞΕΙ ΤΟ ΑΝΑΜΕΝΟΜΕΝΟ ΦΟΡΤΙΟ.

**ΠΡΟΕΙΔΟΠΟΙΗΣΗ:** ΠΡΕΠΕΙ ΝΑ ΠΑΡΑΣΧΕΘΕΙ ΕΝΑ ΚΑΤΑΛΛΗΛΟ ΣΥΣΤΗΜΑ ΑΠΟΣΤΡΑΓΓΙΣΗΣ ΓΙΑ ΤΟ ΧΕΙΡΙΣΜΟ ΤΟΥ ΝΕΡΟΥ ΥΠΕΡΧΕΙΛΙΣΗΣ ΤΟΣΟ ΓΙΑ ΕΣΩΤΕΡΙΚΕΣ ΟΣΟ ΚΑΙ ΕΞΩΤΕΡΙΚΕΣ ΕΓΚΑΤΑΣΤΑΣΕΙΣ.

**ΣΗΜΑΝΤΙΚΟ:** ΛΟΓΩ ΤΟΥ ΣΥΝΟΛΙΚΟΥ ΒΑΡΟΥΣ ΤΟΥ LAY-Z-SPA, ΤΟΥ ΝΕΡΟΥ ΚΑΙ ΤΩΝ ΧΡΗΣΤΩΝ, ΕΙΝΑΙ ΕΞΑΙΡΕΤΙΚΑ ΣΗΜΑΝΤΙΚΟ Η ΒΑΣΗ ΟΠΟΥ ΕΙΝΑΙ ΕΓΚΑΤΕΣΤΗΜΕΝΟ ΤΟ LAY-Z-SPA ΝΑ ΕΙΝΑΙ ΟΜΑΛΗ, ΕΠΙΠΕΔΗ, ΟΡΙΖΟΝΤΙΑ ΚΑΙ ΙΚΑΝΗ ΝΑ ΥΠΟΣΤΗΡΙΞΕΙ ΟΜΟΙΟΜΟΡΦΑ ΤΟ ΒΑΡΟΣ ΓΙΑ ΟΛΟΚΛΗΡΟ ΤΟ ΧΡΟΝΟ ΕΓΚΑΤΑΣΤΑΣΗΣ ΤΟΥ LAY-Z-SPA (ΟΧΙ ΠΑΝΩ ΣΕ ΧΑΛΙ Ή ΑΛΛΟ ΠΑΡΟΜΟΙΟ ΥΛΙΚΟ). ΕΑΝ ΤΟ LAY-Z-SPA ΤΟΠΟΘΕΤΗΘΕΙ ΠΑΝΩ ΣΕ ΜΙΑ ΕΠΙΦΑΝΕΙΑ, Η ΟΠΟΙΑ ΔΕΝ ΠΛΗΡΟΙ ΑΥΤΕΣ ΤΙΣ ΑΠΑΙΤΗΣΕΙΣ, ΟΠΟΙΔΗΠΟΤΕ ΖΗΜΙΑ ΠΡΟΚΛΗΘΕΙ ΑΠΟ ΑΚΑΤΑΛΛΗΛΗ ΥΠΟΣΤΗΡΙΞΗ ΔΕΝ ΚΑΛΥΠΤΕΤΑΙ ΑΠΟ ΤΗΝ ΕΓΓΥΗΣΗ ΤΟΥ ΚΑΤΑΣΚΕΥΑΣΤΗ. ΕΙΝΑΙ ΕΥΘΥΝΗ ΤΟΥ ΙΔΙΟΚΤΗΤΗ ΤΟΥ LAY-Z-SPA ΝΑ ΕΞΑΣΦΑΛΙΖΕΙ ΠΑΝΤΟΤΕ ΤΗΝ ΑΚΕΡΑΙΟΤΗΤΑ ΤΗΣ ΤΟΠΟΘΕΣΙΑΣ.

### 1. ΕΓΚΑΤΑΣΤΑΣΗ ΣΕ ΕΣΩΤΕΡΙΚΟ ΧΩΡΟ:

**ΝΑ ΕΧΕΤΕ ΥΠΟΨΗ ΣΑΣ ΤΙΣ ΕΙΔΙΚΕΣ ΑΠΑΙΤΗΣΕΙΣ ΕΑΝ ΕΓΚΑΤΑΣΤΗΣΕΤΕ ΤΟ SPA ΣΕ ΕΣΩΤΕΡΙΚΟ ΧΩΡΟ.**

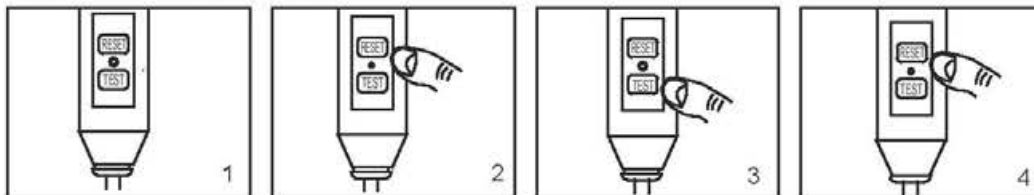
- Η ΥΓΡΑΣΙΑ ΕΙΝΑΙ ΜΙΑ ΦΥΣΙΚΗ ΠΑΡΕΝΕΡΓΕΙΑ ΜΕ ΤΗΝ ΕΓΚΑΤΑΣΤΑΣΗ ΤΟΥ LAY-Z-SPA. ΠΡΟΣΔΙΟΡΙΣΤΕ ΤΙΣ ΕΠΙΠΤΩΣΕΙΣ ΤΗΣ ΥΓΡΑΣΙΑΣ ΤΟΥ ΑΕΡΑ ΣΕ ΕΚΤΕΘΕΙΜΕΝΟ ΞΥΛΟ, ΧΑΡΤΙ, ΚΛΠ ΣΤΗΝ ΠΡΟΤΕΙΝΟΜΕΝΗ ΤΟΠΟΘΕΣΙΑ. ΓΙΑ ΝΑ ΕΛΑΧΙΣΤΟΠΟΙΟΥΝ ΑΥΤΕΣ ΟΙ ΕΠΙΠΤΩΣΕΙΣ ΕΙΝΑΙ ΚΑΛΥΤΕΡΟ ΝΑ ΠΑΡΕΧΕΤΑΙ ΑΦΘΟΝΟΣ ΕΞΑΕΡΙΣΜΟΣ ΣΤΟΝ ΕΠΙΛΕΓΜΕΝΟ ΧΩΡΟ. ΕΝΑΣ ΑΡΧΙΤΕΚΤΟΝΑΣ ΜΠΟΡΕΙ ΝΑ ΒΟΗΘΗΣΕΙ ΣΤΟ ΝΑ ΠΡΟΣΔΙΟΡΙΣΕΤΕ ΕΑΝ ΧΡΕΙΑΖΕΤΑΙ ΠΕΡΙΣΣΟΤΕΡΟΣ ΕΞΑΕΡΙΣΜΟΣ.

### 2. ΕΓΚΑΤΑΣΤΑΣΗ ΣΕ ΕΞΩΤΕΡΙΚΟ ΧΩΡΟ:

- ΚΑΤΑ ΤΗΝ ΠΛΗΡΩΣΗ, ΑΠΟΣΤΡΑΓΓΙΣΗ Ή ΚΑΤΑ ΤΗ ΧΡΗΣΗ, ΤΟ ΝΕΡΟ ΜΠΟΡΕΙ ΝΑ ΡΕΕΙ ΕΞΩ ΑΠΟ ΤΟ SPA. ΣΥΝΕΠΩΣ ΤΟ LAY-Z-SPA ΘΑ ΠΡΕΠΕΙ ΝΑ ΕΓΚΑΤΑΣΤΑΘΕΙ ΚΟΝΤΑ ΣΕ ΜΙΑ ΑΠΟΣΤΡΑΓΓΙΣΗ ΔΑΠΕΔΟΥ.
- ΜΗΝ ΑΦΗΝΕΤΕ ΤΗΝ ΕΠΙΦΑΝΕΙΑ ΤΟΥ SPA ΕΚΤΕΘΕΙΜΕΝΗ ΣΕ ΑΜΕΣΟ ΗΛΙΑΚΟ ΦΩΣ ΓΙΑ ΜΕΓΑΛΑ ΧΡΟΝΙΚΑ ΔΙΑΣΤΗΜΑΤΑ.



## ΔΟΚΙΜΗ PRCD



**ΣΗΜΕΙΩΣΗ:** ΤΑ ΣΧΕΔΙΑ ΕΙΝΑΙ ΜΟΝΟ ΓΙΑ ΛΟΓΟΥΣ ΑΠΕΙΚΟΝΙΣΗΣ. ΜΠΟΡΕΙ ΝΑ ΜΗΝ ΑΝΤΑΠΟΚΡΙΝΟΝΤΑΙ ΣΤΟ ΠΡΑΓΜΑΤΙΚΟ ΠΡΟΙΟΝ. ΔΕΝ ΕΙΝΑΙ ΥΠΟ ΚΛΙΜΑΚΑ.

1. ΣΥΝΔΕΣΤΕ ΤΟ ΡΕΥΜΑΤΟΛΗΠΤΗ.
2. ΠΙΕΣΤΕ ΤΟ ΠΛΗΚΤΡΟ "RESET", Η ΕΝΔΕΙΚΤΙΚΗ ΛΥΧΝΙΑ ΑΝΑΒΕΙ.
3. ΠΙΕΣΤΕ ΤΟ ΠΛΗΚΤΡΟ "TEST", Η ΕΝΔΕΙΚΤΙΚΗ ΛΥΧΝΙΑ ΣΒΗΝΕΙ.
4. ΠΙΕΣΤΕ ΤΟ ΠΛΗΚΤΡΟ "RESET", Η ΕΝΔΕΙΚΤΙΚΗ ΛΥΧΝΙΑ ΑΝΑΒΕΙ.
5. ΠΙΕΣΤΕ ΤΟ ΠΛΗΚΤΡΟ "On/Off" ΓΙΑ 2 ΔΕΥΤΕΡΟΛΕΠΤΑ, Η ΑΝΤΛΙΑ ΕΙΝΑΙ ΕΤΟΙΜΗ ΓΙΑ ΧΡΗΣΗ.

**ΠΡΟΕΙΔΟΠΟΙΗΣΗ:** Ο ΡΕΥΜΑΤΟΛΗΠΤΗΣ PRCD ΠΡΕΠΕΙ ΝΑ ΔΟΚΙΜΑΖΕΤΑΙ ΠΡΙΝ ΑΠΟ ΚΑΘΕ ΧΡΗΣΗ ΓΙΑ ΤΗΝ ΑΠΟΦΥΓΗ ΤΟΥ ΚΙΝΔΥΝΟΥ ΗΛΕΚΤΡΟΠΛΗΞΙΑΣ.

**ΠΡΟΕΙΔΟΠΟΙΗΣΗ:** ΠΡΙΝ ΤΗ ΣΥΝΔΕΣΗ ΤΟΥ ΡΕΥΜΑΤΟΛΗΠΤΗ ΣΤΗΝ ΠΑΡΟΧΗ ΡΕΥΜΑΤΟΣ, ΒΕΒΑΙΩΘΕΙΤΕ ΟΤΙ ΤΟ ΟΝΟΜΑΣΤΙΚΟ ΡΕΥΜΑ ΤΗΣ ΠΑΡΟΧΗΣ ΕΙΝΑΙ ΚΑΤΑΛΛΗΛΟ ΓΙΑ ΤΗΝ ΑΝΤΛΙΑ.

**ΠΡΟΕΙΔΟΠΟΙΗΣΗ:** ΜΗΝ ΧΡΗΣΙΜΟΠΟΙΗΣΕΤΕ ΤΗΝ ΑΝΤΛΙΑ ΕΑΝ ΑΠΟΤΥΧΕΙ ΑΥΤΗ Η ΔΟΚΙΜΗ ΚΑΙ ΕΠΙΚΟΙΝΩΗΣΤΕ ΜΕ ΤΟ ΣΕΡΒΙΣ ΜΕΤΑ ΤΗΝ ΠΩΛΗΣΗ.



**ΣΗΜΕΙΩΣΗ:** ΚΑΤΑ ΤΟ ΦΟΥΣΚΩΜΑ, ΘΑ ΠΑΡΑΤΗΡΗΣΕΤΕ ΟΤΙ ΑΠΟΒΑΛΛΕΤΑΙ ΑΕΡΑΣ ΑΠΟ ΤΟ ΣΗΜΕΙΟ ΟΠΟΥ Ο ΕΥΚΑΜΠΤΟΣ ΣΩΛΗΝΑΣ ΑΕΡΑ ΣΥΝΔΕΕΤΑΙ ΜΕ ΤΗΝ ΑΝΤΛΙΑ, ΑΥΤΟ ΕΙΝΑΙ ΦΥΣΙΟΛΟΓΙΚΟ ΛΟΓΩ ΤΕΧΝΙΚΩΝ ΑΠΑΙΤΗΣΕΩΝ.

**ΣΗΜΕΙΩΣΗ:** ΜΗΝ ΧΡΗΣΙΜΟΠΟΙΕΙΤΕ ΑΕΡΟΣΥΜΠΙΕΣΤΗ ΓΙΑ ΝΑ ΦΟΥΣΚΩΣΕΤΕ ΤΗΝ ΠΙΣΙΝΑ.

**ΣΗΜΕΙΩΣΗ:** ΜΗΝ ΣΕΡΝΕΤΕ ΤΗΝ ΠΙΣΙΝΑ ΣΕ ΑΝΩΜΑΛΟ ΕΔΑΦΟΣ ΔΙΟΤΙ ΑΥΤΟ ΜΠΟΡΕΙ ΝΑ ΠΡΟΚΑΛΕΣΕΙ ΒΛΑΒΗ ΣΤΗΝ ΕΠΕΝΔΥΣΗ ΤΗΣ ΠΙΣΙΝΑΣ.

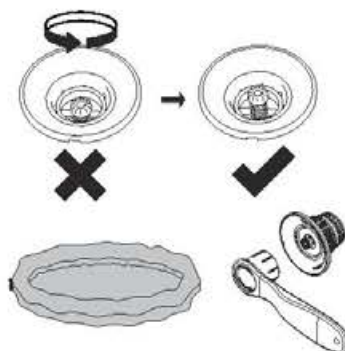
**ΣΗΜΕΙΩΣΗ:** Ο ΧΡΟΝΟΣ ΦΟΥΣΚΩΜΑΤΟΣ ΕΙΝΑΙ ΜΟΝΟ ΓΙΑ ΑΝΑΦΟΡΑ.

**ΣΗΜΕΙΩΣΗ:** ΤΟ ΜΑΝΟΜΕΤΡΟ ΕΙΝΑΙ ΜΟΝΟ ΓΙΑ ΣΚΟΠΟΥΣ ΦΟΥΣΚΩΜΑΤΟΣ, ΚΑΙ Η ΤΙΜΗ ΤΟΥ ΜΑΝΟΜΕΤΡΟΥ ΕΙΝΑΙ ΜΟΝΟ ΓΙΑ ΑΝΑΦΟΡΑ, ΔΕΝ ΠΡΕΠΕΙ ΝΑ ΧΡΗΣΙΜΟΠΟΙΕΙΤΑΙ ΩΣ ΕΝΑ ΟΡΓΑΝΟ ΑΚΡΙΒΕΙΑΣ.



### ΕΛΕΓΧΟΣ ΒΑΛΒΙΔΑΣ ΑΕΡΑ (ΓΙΑ SPA ΜΕ ΒΑΛΒΙΔΑ ΑΕΡΟΣ ΓΡΗΓΟΡΟΥ ΦΟΥΣΚΩΜΑΤΟΣ/ΞΕΦΟΥΣΚΩΜΑΤΟΣ).

ΕΛΕΓΧΤΕ ΠΑΝΤΟΤΕ ΠΡΟΣΕΚΤΙΚΑ ΤΗ ΒΑΛΒΙΔΑ ΑΕΡΑ ΠΡΙΝ ΤΟ ΦΟΥΣΚΩΜΑ ΓΙΑ ΝΑ ΕΞΑΣΦΑΛΙΣΤΕΙ ΟΤΙ ΔΕΝ ΥΠΑΡΧΕΙ ΔΙΑΡΡΟΗ ΑΕΡΑ. ΕΑΝ Η ΒΑΛΒΙΔΑ ΑΕΡΑ ΕΙΝΑΙ ΧΑΛΑΡΗ, ΧΡΗΣΙΜΟΠΟΙΗΣΤΕ ΤΟ ΠΑΡΕΧΟΜΕΝΟ ΚΛΕΙΔΙ ΓΙΑ ΝΑ ΣΤΕΡΕΩΣΕΤΕ ΤΗ ΒΑΛΒΙΔΑ ΑΕΡΑ ΑΚΟΛΟΥΘΩΝΤΑΣ ΤΑ ΕΞΗΣ ΒΗΜΑΤΑ: ΜΕ ΤΟ ΕΝΑ ΧΕΡΙ, ΚΡΑΤΗΣΤΕ ΤΟ ΠΙΣΩ ΜΕΡΟΣ ΤΗΣ ΒΑΛΒΙΔΑΣ ΑΕΡΟΣ ΑΠΟ ΤΗ ΜΕΣΑ ΠΛΕΥΡΑ ΤΟΥ ΤΟΙΧΩΜΑΤΟΣ ΤΟΥ SPA ΚΑΙ ΠΕΡΙΣΤΡΕΨΤΕ ΤΟ ΚΛΕΙΔΙ ΔΕΞΙΟΣΤΡΟΦΑ.

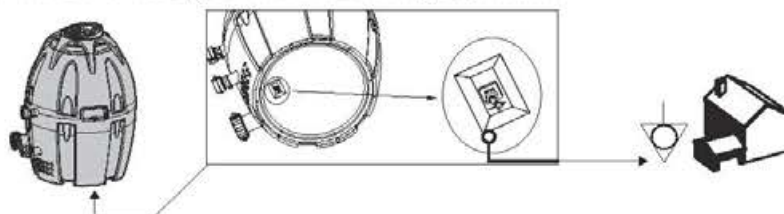


**ΣΗΜΕΙΩΣΗ:**

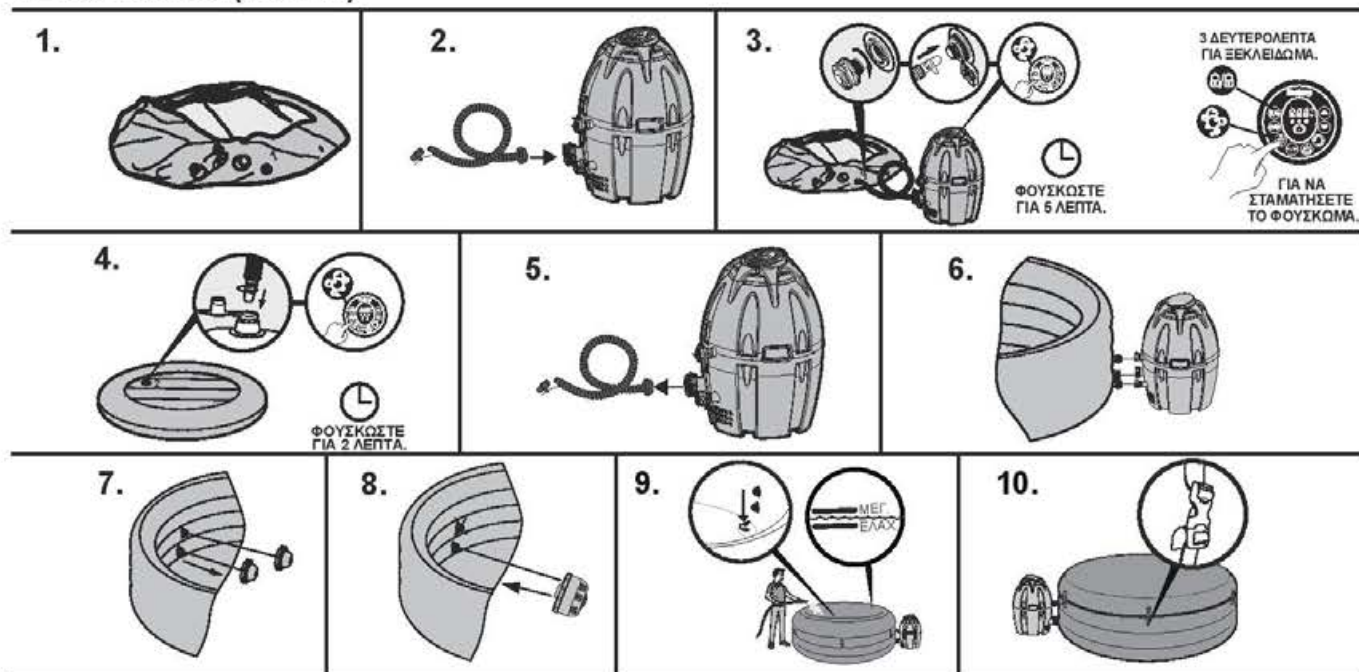
1. ΜΗΝ ΣΦΙΓΓΕΤΕ ΥΠΕΡΒΟΛΙΚΑ.
2. ΜΗΝ ΡΥΘΜΙΖΕΤΕ ΤΟ ΣΥΝΔΕΣΜΟ ΤΗΣ ΒΑΛΒΙΔΑΣ ΑΕΡΟΣ ΟΤΑΝ ΤΟ SPA ΕΙΝΑΙ ΣΕ ΧΡΗΣΗ.

### ΑΚΡΟΔΕΚΤΗΣ ΙΣΟΔΥΝΑΜΙΚΗΣ ΣΥΝΔΕΣΗΣ ΑΝΤΛΙΑΣ SPA

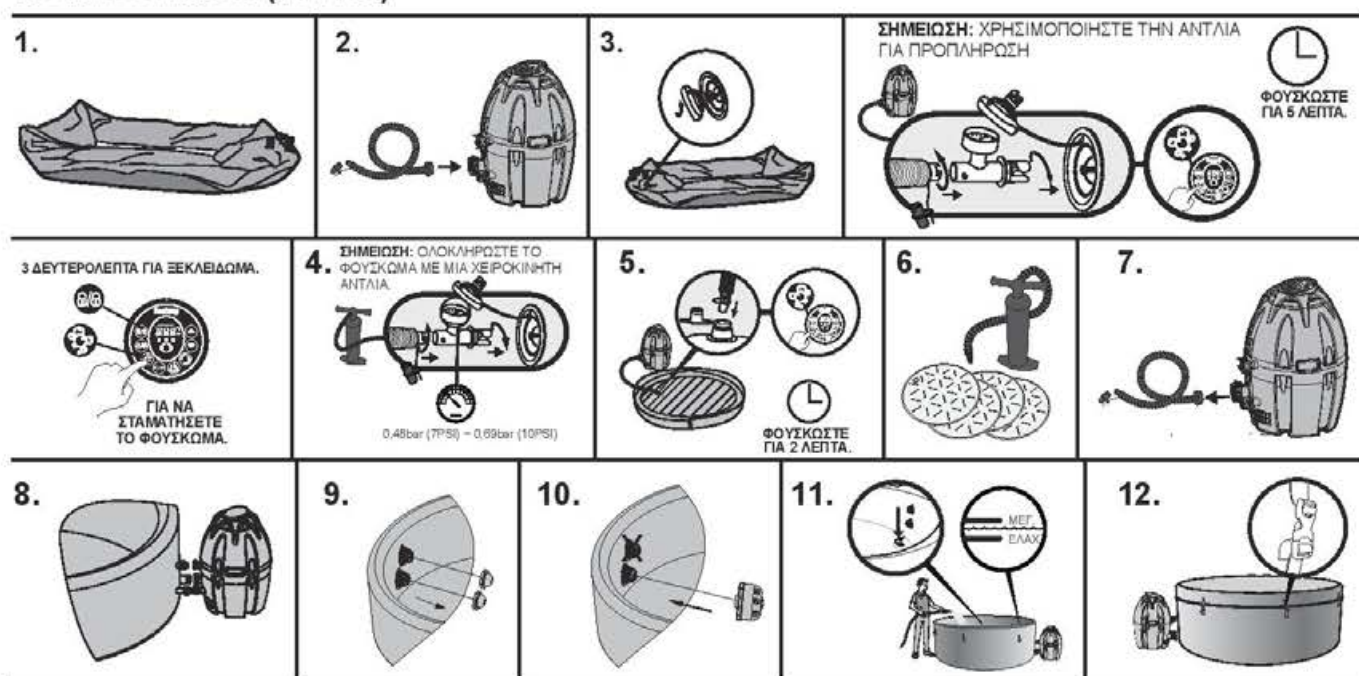
ΣΥΝΙΣΤΑΤΑΙ ΝΑ ΑΠΕΥΘΥΝΘΕΙΤΕ ΣΕ ΕΝΑΝ ΠΙΣΤΟΠΟΙΗΜΕΝΟ ΗΛΕΚΤΡΟΛΟΓΟ ΓΙΑ ΝΑ ΣΥΝΔΕΣΕΤΕ ΤΗΝ ΑΝΤΛΙΑ SPA ΣΕ ΕΝΑΝ ΑΚΡΟΔΕΚΤΗ ΓΕΙΩΣΗΣ ΧΡΗΣΙΜΟΠΟΙΩΝΤΑΣ ΕΝΑ ΣΥΜΠΑΓΗ ΧΑΛΚΙΝΟ ΑΓΩΓΟ ΜΕ (ΤΟΥΛΑΧΙΣΤΟΝ) 2,5 mm<sup>2</sup>.



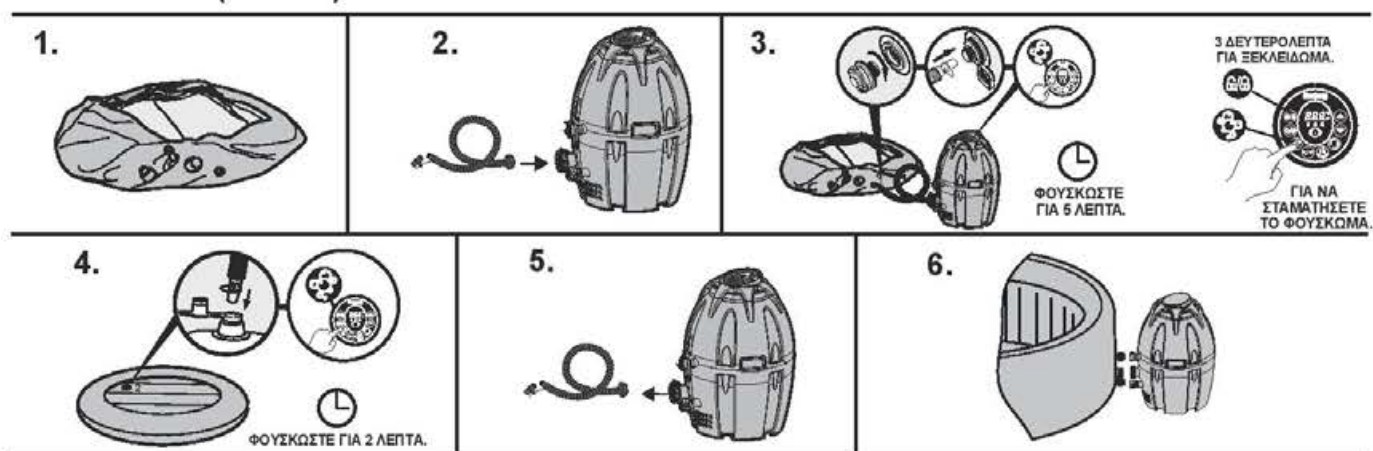
## VEGAS AirJet (#54112)

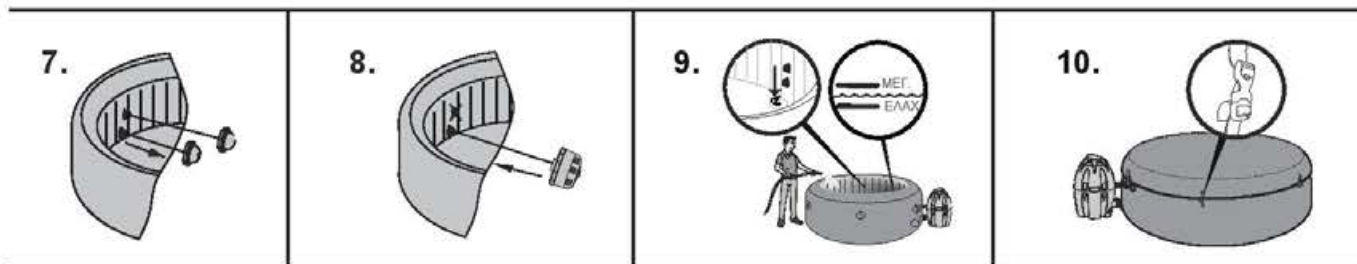


## MONACO AirJet (#54113)

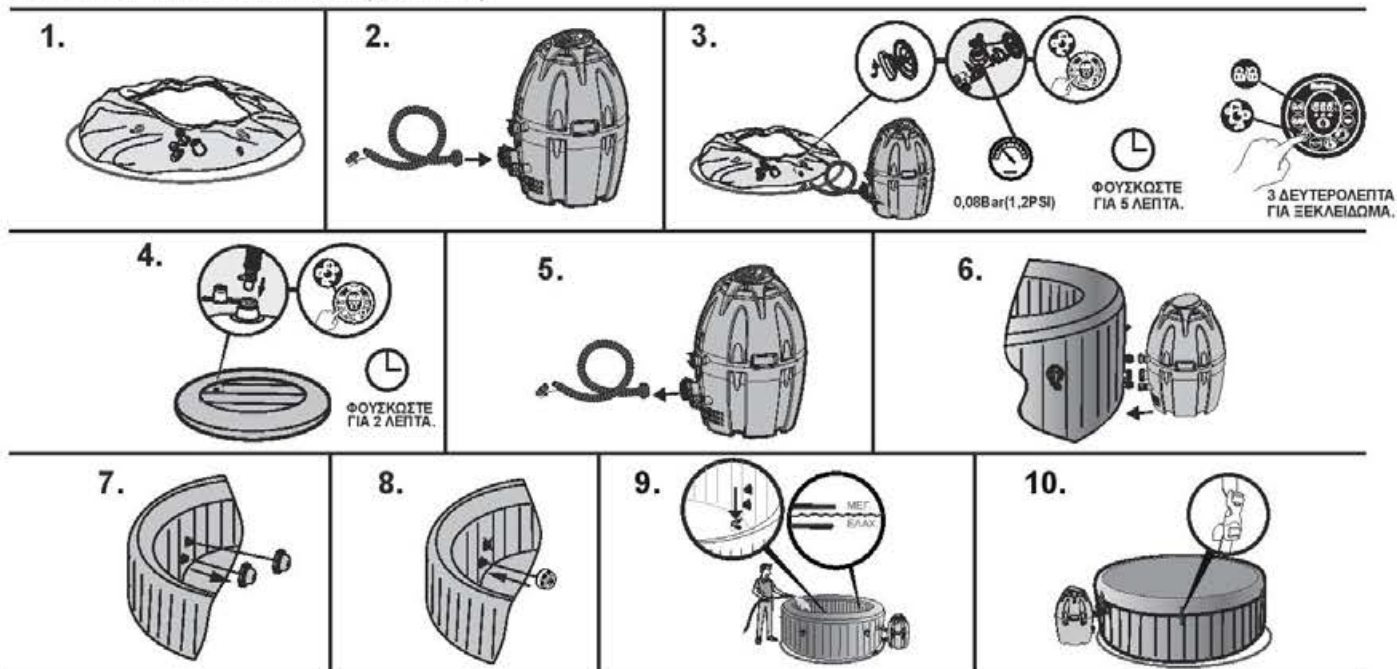


## MIAMI AirJet (#54123)

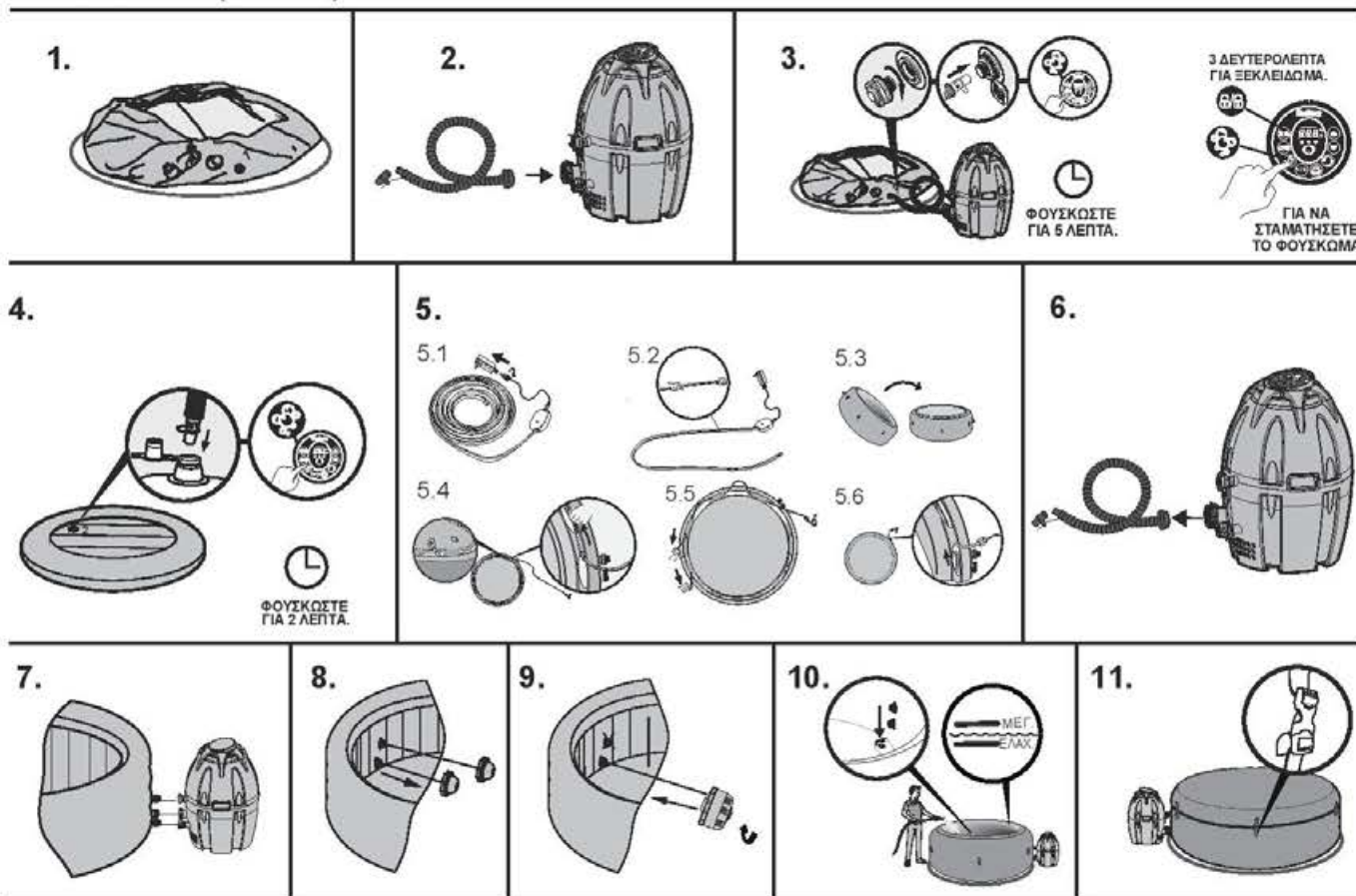




### PALM SPRINGS AirJet (#54129)



### PARIS AirJet (#54148)



### HAWAII AirJet (#54154)

<p>1.</p>	<p>2.</p>	<p>3.</p>	
<p>3 ΔΕΥΤΕΡΟΛΕΠΤΑ ΓΙΑ ΕΞΚΛΙΒΩΣΜΑ.</p> <p>ΓΙΑ ΝΑ ΣΤΑΜΑΤΗΣΕΤΕ ΤΟ ΦΟΥΣΚΩΜΑ.</p>	<p>4.</p> <p>ΦΟΥΣΚΩΣΤΕ ΓΙΑ 2 ΛΕΠΤΑ.</p>	<p>5.</p>	<p>6.</p>
<p>7.</p>	<p>8.</p>	<p>9.</p>	<p>10.</p>

### SIENA AirJet (#54156)

<p>1.</p>	<p>2.</p>	<p>3.</p>	
<p>3 ΔΕΥΤΕΡΟΛΕΠΤΑ ΓΙΑ ΕΞΚΛΙΒΩΣΜΑ.</p> <p>ΓΙΑ ΝΑ ΣΤΑΜΑΤΗΣΕΤΕ ΤΟ ΦΟΥΣΚΩΜΑ.</p>	<p>4.</p> <p>ΦΟΥΣΚΩΣΤΕ ΓΙΑ 2 ΛΕΠΤΑ.</p>	<p>5.</p>	<p>6.</p>
<p>7.</p>	<p>8.</p>	<p>9.</p>	<p>10.</p>
<p>10.</p>	<p>11.</p>	<p>11.</p>	

# ΛΕΙΤΟΥΡΓΙΑ ΑΝΤΛΙΑΣ

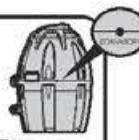
## ΕΠΙΛΑΘΟΡΑ ΘΕΡΜΑΝΣΗΣ

ΟΤΑΝ ΧΡΗΣΙΜΟΠΟΙΕΙΤΕ ΤΟ LAY-Z-SPA ΓΙΑ ΠΡΩΤΗ ΦΟΡΑ, Ή ΜΕΤΑ ΑΠΟ ΜΑΚΡΑ ΠΕΡΙΟΔΟ ΑΔΡΑΝΕΙΑΣ, ΒΕΒΑΙΩΣΕΤΕ ΟΤΙ ΠΛΑΤΕΤΕ ΤΟ ΠΛΗΚΤΡΟ ΕΠΙΛΑΘΟΡΑΣ ΣΤΗΝ ΑΝΤΛΙΑ ΧΡΗΣΙΜΟΠΟΙΟΥΝΤΑΣ ΕΝΑ ΜΙΚΡΟ ΚΑΙ ΛΕΙΤΟ ΑΝΤΙΚΕΙΜΕΝΟ

### ΠΛΗΚΤΡΟ ΕΠΙΛΑΘΟΡΑΣ

#### ΔΗΜΑΝΤΙΚΕΣ ΟΔΗΓΙΕΣ ΓΙΑ ΤΗ ΧΡΗΣΗ

ΕΑΝ Η ΘΕΡΜΟΚΡΑΣΙΑ ΣΤΟΝ ΠΙΝΑΚΑ ΕΝΕΡΓΟΥ (Η Η ΘΕΡΜΟΚΡΑΣΙΑ ΤΟΥ ΝΕΡΟΥ) ΔΕΝ ΕΧΕΙ ΑΥΞΗΣΕΙ 4,5 ΟΡΕΣ ΜΕΤΑ ΤΗΝ ΕΠΕΡΓΟΠΟΙΗΣΗ ΤΟΥ ΣΥΣΤΗΜΑΤΟΣ ΘΕΡΜΑΝΣΗΣ, ΧΡΗΣΙΜΟΠΟΙΗΣΤΕ ΕΝΑ ΛΕΙΤΟ ΑΝΤΙΚΕΙΜΕΝΟ ΓΙΑ ΝΑ ΠΙΣΤΕΤΕ ΤΟ ΠΛΗΚΤΡΟ ΕΠΙΛΑΘΟΡΑΣ ΚΑΙ ΕΠΑΝΕΚΚΙΝΗΣΤΕ ΤΟ ΣΥΣΤΗΜΑ ΘΕΡΜΑΝΣΗΣ.  
**ΔΗΜΑΝΤΟ:** ΤΟ ΣΥΣΤΗΜΑ ΘΕΡΜΑΝΣΗΣ ΔΕΝ ΘΑ ΛΕΙΤΟΥΡΓΗΣΕΙ ΕΑΝ Η ΕΣΩΤΕΡΙΚΗ ΘΕΡΜΟΚΡΑΣΙΑ ΕΙΝΑΙ ΜΕΓΑΛΥΤΕΡΗ ΑΠΟ 40°C (104°F) Ή ΕΑΝ ΤΟ LAY-Z-SPA ΕΙΝΑΙ ΕΚ ΤΗΒΩΜΕΝΟ ΣΕ ΑΜΦΙΣΟΧΑΙΚΟ-ΣΟΣ. ΥΠΟ ΑΥΤΕΣ ΤΙΣ ΣΥΝΘΗΚΕΣ, ΠΑΡΑΚΑΛΟΥΜΕ ΓΕΡΜΙΝΕΤΕ ΜΙΑ ΔΡΟΣΕΡΟΤΗΡΗ ΟΡΑ ΤΗΣ ΗΜΕΡΑΣ ΠΡΙΝ ΠΙΣΤΕΤΕ ΤΟ ΠΛΗΚΤΡΟ ΕΠΙΛΑΘΟΡΑΣ ΜΕ ΕΝΑ ΛΕΙΤΟ ΑΝΤΙΚΕΙΜΕΝΟ ΚΑΙ ΕΠΑΝΕΚΚΙΝΗΣΤΕ ΤΟ ΣΥΣΤΗΜΑ ΘΕΡΜΑΝΣΗΣ.



### A ΠΛΗΚΤΡΟ ΚΛΕΙΔΩΜΑΤΟΣ/ΞΕΚΛΕΙΔΩΜΑΤΟΣ

Η ΑΝΤΛΙΑ ΔΙΑΒΕΤΕΙ ΑΥΤΟΜΑΤΟ ΚΛΕΙΔΩΜΑ 5 ΛΕΠΤΩΝ. Η ΛΥΧΝΙΑ LED ΘΑ ΜΕΙΩΣΕΙ ΤΗΝ ΕΝΤΑΣΗ ΤΗΣ ΟΤΑΝ Η ΑΝΤΛΙΑ ΕΙΝΑΙ ΚΛΕΙΔΩΜΕΝΗ (ΚΑΜΙΑ ΛΕΙΤΟΥΡΓΙΑ ΕΝΕΡΓΟΠΟΙΗΜΕΝΗ). ΓΙΑ ΝΑ ΚΛΕΙΔΩΣΕΤΕ Η ΝΑ ΞΕΚΛΕΙΔΩΣΕΤΕ ΤΗΝ ΑΝΤΛΙΑ, ΤΟΠΟΘΕΤΗΣΤΕ ΤΟ ΔΑΚΤΥΛΟ ΣΑΣ ΠΑΝΩ ΑΠΟ ΤΟ ΠΛΗΚΤΡΟ ΚΛΕΙΔΩΜΑΤΟΣ/ΞΕΚΛΕΙΔΩΜΑΤΟΣ ΠΑ 3 ΔΕΥΤΕΡΟΛΕΠΤΑ

### B ΠΛΗΚΤΡΟ ΧΡΟΝΟΔΙΑΚΟΠΤΗ ΕΞΟΙΚΟΝΟΜΗΣΗΣ ΕΝΕΡΓΕΙΑΣ

ΑΥΤΗ ΕΙΝΑΙ ΜΙΑ ΛΕΙΤΟΥΡΓΙΑ ΠΟΥ ΕΧΕΙ ΠΡΟΣΤΕΘΕΙ ΠΡΟΣΦΑΤΑ, ΣΧΕΔΙΑΣΜΕΝΗ ΓΙΑ ΝΑ ΒΟΗΘΑ ΣΤΗΝ ΑΠΟΦΥΓΗ ΣΠΑΤΑΝΗΣ ΕΝΕΡΓΕΙΑΣ ΡΥΘΜΙΖΟΝΤΑΣ ΤΗΝ ΟΡΑ ΚΑΙ ΤΗ ΔΙΑΡΚΕΙΑ ΤΟΥ ΚΥΚΛΟΥ ΘΕΡΜΑΝΣΗΣ ΓΙΑ ΤΟ SPA ΜΕ ΑΥΤΟ ΤΟΝ ΤΡΟΠΟ, ΜΠΟΡΕΙΤΕ ΝΑ ΑΠΟΛΑΥΣΕΤΕ ΤΟ SPA ΟΤΑΝ ΤΟ ΕΠΙΘΥΜΕΤΕ, ΧΩΡΙΣ ΝΑ ΧΡΕΙΑΖΕΤΑΙ ΝΑ ΑΦΗΝΕΤΕ ΕΝΕΡΓΟΠΟΙΗΜΕΝΗ ΤΗ ΘΕΡΜΑΝΣΗ ΟΜΗ ΤΗΝ ΟΡΑ.

- ΒΗΜΑ 1:** ΡΥΘΜΙΣΤΕ ΤΗ ΔΙΑΡΚΕΙΑ ΤΗΣ ΘΕΡΜΑΝΣΗΣ
1. ΠΙΣΤΕΤΕ ΤΟ ΠΛΗΚΤΡΟ ΜΕΧΡΙ Η ΛΥΧΝΙΑ LED ΑΡΧΙΣΕΙ ΝΑ ΑΝΑΒΟΣΘΗΝΕΙ.
  2. ΠΙΣΤΕΤΕ ΤΟ ΠΛΗΚΤΡΟ Η ΓΙΑ ΝΑ ΡΥΘΜΙΣΕΤΕ ΤΗ ΔΙΑΡΚΕΙΑ ΤΗΣ ΘΕΡΜΑΝΣΗΣ (ΑΠΟ 1-48 ΟΡΕΣ).
  3. ΠΙΣΤΕΤΕ ΞΑΝΑ ΤΟ ΠΛΗΚΤΡΟ ΓΙΑ ΝΑ ΕΠΙΒΕΒΑΙΩΣΕΤΕ ΤΗ ΔΙΑΡΚΕΙΑ ΤΗΣ ΘΕΡΜΑΝΣΗΣ.

- ΒΗΜΑ 2:** ΡΥΘΜΙΣΤΕ ΤΟΝ ΑΡΙΘΜΟ ΤΩΝ ΟΡΩΝ ΑΠΟ ΤΩΡΑ ΓΙΑ ΤΟ ΠΟΤΕ ΘΑ ΕΝΕΡΓΟΠΟΙΗΘΕΙ Η ΘΕΡΜΑΝΣΗ
1. ΜΕΤΑ ΤΗ ΡΥΘΜΙΣΗ ΤΗΣ ΔΙΑΡΚΕΙΑΣ ΤΗΣ ΘΕΡΜΑΝΣΗΣ, Η ΛΥΧΝΙΑ LED ΑΡΧΙΣΕΙ ΝΑ ΑΝΑΒΟΣΘΗΝΕΙ (ΑΠΟ 0-99 ΟΡΕΣ).
  2. ΠΙΣΤΕΤΕ ΞΑΝΑ ΤΟ ΠΛΗΚΤΡΟ Η Η ΓΙΑ ΝΑ ΡΥΘΜΙΣΕΤΕ ΤΙΣ ΟΡΕΣ ΜΕΧΡΙ ΤΗΝ ΟΡΑ ΤΗΣ ΕΝΕΡΓΟΠΟΙΗΣΗΣ.

3. ΠΙΣΤΕΤΕ ΞΑΝΑ ΤΟ ΠΛΗΚΤΡΟ Η ΑΠΛΑ ΜΗΝ ΑΓΙΣΕΤΕ ΤΙΠΟΤΑ ΓΙΑ 10 ΔΕΥΤΕΡΟΛΕΠΤΑ ΓΙΑ ΝΑ ΕΠΙΒΕΒΑΙΩΣΕΤΕ ΤΗ ΡΥΘΜΙΣΗ. Η ΛΥΧΝΙΑ LED ΘΑ ΑΝΑΨΕΙ ΣΤΑΘΕΡΑ ΚΑΙ ΘΑ ΞΕΚΙΝΗΣΕΙ Η ΑΝΤΙΣΤΡΟΦΗ ΜΕΤΡΗΣΗ ΠΑ ΤΗΝ ΕΝΕΡΓΟΠΟΙΗΣΗ ΤΗΣ ΘΕΡΜΑΝΣΗΣ.

**ΓΙΑ ΝΑ ΤΡΟΠΟΠΟΙΗΣΕΤΕ ΤΙΣ ΡΥΘΜΙΣΕΙΣ ΤΟΥ ΧΡΟΝΟΔΙΑΚΟΠΤΗ:** ΠΙΣΤΕΤΕ ΤΟ ΠΛΗΚΤΡΟ ΚΑΙ ΧΡΗΣΙΜΟΠΟΙΗΣΤΕ ΤΟ ΠΛΗΚΤΡΟ Η ΓΙΑ ΡΥΘΜΙΣΗ.

**ΑΚΥΡΩΣΗ ΤΗΣ ΡΥΘΜΙΣΗΣ:** ΠΙΣΤΕΤΕ ΤΟ ΠΛΗΚΤΡΟ ΠΑ 2 ΔΕΥΤΕΡΟΛΕΠΤΑ.

**ΣΗΜΕΙΩΣΗ:** ΜΕΤΑ ΤΗ ΡΥΘΜΙΣΗ, Η ΟΘΟΝΗ ΑΝΑΒΟΣΘΗΝΕΙ ΤΗΝ ΤΡΕΧΟΥΣΑ ΘΕΡΜΟΚΡΑΣΙΑ ΚΑΙ ΟΡΑ ΕΝΑΛΛΑΞ. **ΣΗΜΕΙΩΣΗ:** Ο ΧΡΟΝΟΔΙΑΚΟΠΤΗΣ (ΧΡΟΝΟΣ ΜΕ ΤΗ ΘΕΡΜΑΝΣΗ ΕΝΕΡΓΟΠΟΙΗΜΕΝΗ) ΜΠΟΡΕΙ ΝΑ ΡΥΘΜΙΣΤΕΙ ΑΠΟ 1 ΕΩΣ 48 ΟΡΕΣ. Ο ΧΡΟΝΟΣ ΚΡΑΤΗΣΗΣ (ΑΡΙΘΜΟΣ ΟΡΩΝ ΑΠΟ ΤΩΡΑ ΓΙΑ ΤΟ ΠΟΤΕ ΘΑ ΕΝΕΡΓΟΠΟΙΗΘΕΙ Η ΘΕΡΜΑΝΣΗ) ΜΠΟΡΕΙ ΝΑ ΡΥΘΜΙΣΤΕΙ ΑΠΟ 0 ΕΩΣ 99 ΟΡΕΣ. ΕΑΝ Ο ΧΡΟΝΟΔΙΑΚΟΠΤΗΣ ΡΥΘΜΙΣΤΕΙ ΣΕ ΟΡΑ 0, ΤΟ ΣΥΣΤΗΜΑ ΘΕΡΜΑΝΣΗΣ ΘΑ ΕΝΕΡΓΟΠΟΙΗΘΕΙ ΑΜΕΣΩΣ.

**ΣΗΜΕΙΩΣΗ:** ΟΤΙ Ο ΧΡΟΝΟΔΙΑΚΟΠΤΗΣ ΕΙΝΑΙ ΓΙΑ ΜΙΑ ΦΟΡΑ ΑΝΑ ΧΡΗΣΗ - Ο ΧΡΗΣΤΗΣ ΡΥΘΜΙΣΤΕ ΤΗ ΔΙΑΡΚΕΙΑ ΤΟΥ ΚΥΚΛΟΥ ΘΕΡΜΑΝΣΗΣ ΚΑΙ ΣΕ ΠΟΣΕΣ ΟΡΕΣ ΑΠΟ ΤΩΡΑ ΞΕΚΙΝΑ Ο ΚΥΚΛΟΣ ΘΕΡΜΑΝΣΗΣ. Ο ΧΡΟΝΟΔΙΑΚΟΠΤΗΣ ΔΕΝ ΕΠΑΝΑΜΙΣΘΑΝΕΙ ΜΕΧΡΙ ΝΑ ΜΗΔΕΝΙΣΤΕΙ.

### C ΠΛΗΚΤΡΟ ΣΥΣΤΗΜΑΤΟΣ Lay-Z-Massage

ΧΡΗΣΙΜΟΠΟΙΗΣΤΕ ΑΥΤΟ ΤΟ ΠΛΗΚΤΡΟ ΓΙΑ ΝΑ ΕΝΕΡΓΟΠΟΙΗΣΕΤΕ ΤΟ ΣΥΣΤΗΜΑ ΜΑΖΑΖ, ΤΟ ΟΠΟΙΟ ΔΙΑΒΕΤΕΙ ΕΝΑ ΧΑΡΑΚΤΗΡΙΣΤΙΚΟ ΑΥΤΟΜΑΤΗΣ ΔΙΑΚΟΠΗΣ ΛΕΙΤΟΥΡΓΙΑΣ 30 ΛΕΠΤΩΝ. Η ΛΥΧΝΙΑ ΕΠΑΝΟ ΑΠΟ ΤΟ ΠΛΗΚΤΡΟ ΣΥΣΤΗΜΑΤΟΣ Lay-Z-Massage ΑΝΑΒΕΙ ΚΟΚΚΙΝΗ ΟΤΑΝ ΕΙΝΑΙ ΕΝΕΡΓΟΠΟΙΗΜΕΝΟ.

**ΣΗΜΑΝΤΙΚΟ:** ΜΗΝ ΛΕΙΤΟΥΡΓΕΙΤΕ ΤΟ ΣΥΣΤΗΜΑ Lay-Z-Massage ΟΤΑΝ ΔΕΝ ΕΙΝΑΙ ΣΥΝΔΕΔΩΜΕΝΟ ΤΟ ΚΑΛΥΜΜΑ. ΜΠΟΡΕΙ ΝΑ ΣΥΣΣΩΡΕΥΤΕΙ ΑΕΡΑΣ ΜΕΣΑ ΣΤΟ SPA ΚΑΙ ΝΑ ΠΡΟΚΛΗΣΕΙ ΑΝΕΠΑΝΟΡΘΩΤΕΣ ΖΗΜΙΕΣ ΚΑΙ ΣΩΜΑΤΙΚΕΣ ΒΛΑΒΕΣ.

**ΣΗΜΕΙΩΣΗ:** Η ΘΕΡΜΑΝΣΗ ΚΑΙ ΤΟ ΣΥΣΤΗΜΑ ΜΑΖΑΖ ΣΥΝΕΡΓΑΖΟΝΤΑΙ ΓΙΑ ΝΑ ΔΗΜΙΟΥΡΓΗΣΟΥΝ ΜΙΑ ΘΕΡΜΗ ΕΜΠΕΡΙΑ ΜΑΖΑΖ.



### D ΕΝΑΛΛΑΓΗ ΒΑΘΜΩΝ ΚΕΛΣΙΟΥ/ΦΑΡΕΝΑΙΤ

Η ΘΕΡΜΟΚΡΑΣΙΑ ΜΠΟΡΕΙ ΝΑ ΠΡΟΒΛΕΜΑΤΙ ΣΕ ΒΑΘΜΟΥΣ ΦΑΡΕΝΑΙΤ Η ΣΕ ΒΑΘΜΟΥΣ ΚΕΛΣΙΟΥ.

### E ΠΛΗΚΤΡΟ ΘΕΡΜΑΝΣΗΣ

ΧΡΗΣΙΜΟΠΟΙΗΣΤΕ ΑΥΤΟ ΤΟ ΠΛΗΚΤΡΟ ΓΙΑ ΝΑ ΕΝΕΡΓΟΠΟΙΗΣΕΤΕ ΤΟ ΣΥΣΤΗΜΑ ΘΕΡΜΑΝΣΗΣ. ΟΤΑΝ Η ΛΥΧΝΙΑ ΕΠΑΝΟ ΑΠΟ ΤΟ ΠΛΗΚΤΡΟ ΘΕΡΜΑΝΣΗΣ ΑΝΑΒΕΙ ΚΟΚΚΙΝΗ. ΤΟ ΣΥΣΤΗΜΑ ΘΕΡΜΑΝΣΗΣ ΕΙΝΑΙ ΕΝΕΡΓΟΠΟΙΗΜΕΝΟ ΟΤΑΝ Η ΛΥΧΝΙΑ ΑΝΑΒΕΙ ΠΡΑΣΙΝΗ. ΤΟ ΝΕΡΟ ΕΙΝΑΙ ΣΤΗ ΡΥΘΜΙΣΜΕΝΗ ΘΕΡΜΟΚΡΑΣΙΑ ΚΑΙ ΤΟ ΣΥΣΤΗΜΑ ΘΕΡΜΑΝΣΗΣ ΕΙΝΑΙ ΣΕ ΚΑΤΑΣΤΑΣΗ ΑΝΑΨΗΣ.

**ΣΗΜΕΙΩΣΗ:** ΕΑΝ ΕΝΕΡΓΟΠΟΙΗΘΕΙ ΤΟ ΣΥΣΤΗΜΑ ΘΕΡΜΑΝΣΗΣ, ΤΟ ΣΥΣΤΗΜΑ ΦΙΛΤΡΑΡΙΣΜΑΤΟΣ ΘΑ ΞΕΚΙΝΗΣΕΙ ΑΥΤΟΜΑΤΑ. **ΣΗΜΕΙΩΣΗ:** ΑΝΟΥ ΑΠΕΡΓΟΠΟΙΗΘΕΙ ΤΟ ΣΥΣΤΗΜΑ ΘΕΡΜΑΝΣΗΣ, ΤΟ ΣΥΣΤΗΜΑ ΦΙΛΤΡΑΡΙΣΜΑΤΟΣ ΘΑ ΣΥΝΕΧΙΣΕΙ ΝΑ ΛΕΙΤΟΥΡΓΕΙ.

### F ΠΛΗΚΤΡΟ ΦΙΛΤΡΟΥ ΝΕΡΟΥ

ΑΥΤΟ ΤΟ ΠΛΗΚΤΡΟ ΕΝΕΡΓΟΠΟΙΕΙ ΚΑΙ ΑΠΕΝΕΡΓΟΠΟΙΕΙ ΤΗΝ ΑΝΤΛΙΑ ΦΙΛΤΡΟΥ. Η ΛΥΧΝΙΑ ΕΠΑΝΟ ΑΠΟ ΤΟ ΠΛΗΚΤΡΟ ΦΙΛΤΡΟΥ ΝΕΡΟΥ ΑΝΑΒΕΙ ΚΟΚΚΙΝΗ ΟΤΑΝ ΕΙΝΑΙ ΕΝΕΡΓΟΠΟΙΗΜΕΝΟ.

### G ΠΛΗΚΤΡΑ ΡΥΘΜΙΣΗΣ ΘΕΡΜΟΚΡΑΣΙΑΣ

Η ΠΙΣΗ ΤΩΝ ΠΛΗΚΤΡΩΝ ΑΥΞΗΣΗΣ Η ΜΕΙΩΣΗΣ ΘΕΡΜΟΚΡΑΣΙΑΣ ΘΑ ΠΡΟΚΛΗΣΕΙ ΑΝΑΜΠΕΣ ΤΟΥ LED. ΟΤΑΝ ΑΝΑΒΟΣΘΗΝΕΙ ΜΠΟΡΕΙΤΕ ΝΑ ΡΥΘΜΙΣΕΤΕ ΣΤΗΝ ΕΠΙΘΥΜΗΤΗ ΘΕΡΜΟΚΡΑΣΙΑ. ΕΑΝ ΚΡΑΤΗΣΕΤΕ ΠΕΣΜΕΝΑ ΤΑ ΠΛΗΚΤΡΑ ΟΙ ΤΙΜΕΣ ΘΑ ΑΥΞΗΘΟΥΝ Η ΘΑ ΜΕΙΩΘΟΥΝ ΓΡΗΓΟΡΑ. Η ΝΕΑ ΚΑΙ ΕΠΙΘΥΜΗΤΗ ΡΥΘΜΙΣΗ ΘΕΡΜΟΚΡΑΣΙΑΣ ΘΑ ΠΑΡΑΜΕΙΝΕΙ ΣΤΗΝ ΟΘΟΝΗ LED ΠΑ 3 ΔΕΥΤΕΡΟΛΕΠΤΑ ΓΙΑ ΝΑ ΕΠΙΒΕΒΑΙΩΘΕΙ Η ΝΕΑ ΤΙΜΗ.

**ΣΗΜΕΙΩΣΗ:** Η ΠΡΟΕΠΙΛΕΓΜΕΝΗ ΘΕΡΜΟΚΡΑΣΙΑ ΕΙΝΑΙ 35°C (95°F).

**ΣΗΜΕΙΩΣΗ:** Η ΡΥΘΜΙΣΗ ΘΕΡΜΟΚΡΑΣΙΑΣ ΚΥΜΑΙΝΕΤΑΙ ΑΠΟ 20°C (68°F) ΕΩΣ 40°C (104°F).

### H ΠΛΗΚΤΡΟ On/Off (ΕΝΕΡΓΟΠΟΙΗΣΗΣ/ΑΠΕΝΕΡΓΟΠΟΙΗΣΗΣ)

ΠΙΣΤΕΤΕ ΑΥΤΟ ΤΟ ΠΛΗΚΤΡΟ ΠΑ 2 ΔΕΥΤΕΡΟΛΕΠΤΑ ΓΙΑ ΝΑ ΕΝΕΡΓΟΠΟΙΗΣΕΤΕ ΤΑ ΠΛΗΚΤΡΑ ΤΟΥ ΠΙΝΑΚΑ ΕΛΕΓΧΟΥ ΚΑΙ Η ΛΥΧΝΙΑ ΠΙΝΕΤΑΙ ΠΡΑΣΙΝΗ. ΠΙΣΤΕΤΕ ΑΥΤΟ ΤΟ ΠΛΗΚΤΡΟ ΠΑ 2 ΔΕΥΤΕΡΟΛΕΠΤΑ ΓΙΑ ΝΑ ΑΠΕΝΕΡΓΟΠΟΙΗΣΕΤΕ ΟΛΕΣ ΤΙΣ ΕΝΕΡΓΟΠΟΙΗΜΕΝΕΣ ΛΕΙΤΟΥΡΓΙΕΣ.

### I LED ΧΡΟΝΟΔΙΑΚΟΠΤΗ ΕΞΟΙΚΟΝΟΜΗΣΗΣ ΕΝΕΡΓΕΙΑΣ

ΟΤΑΝ ΑΥΤΗ Η ΛΥΧΝΙΑ LED ΑΝΑΒΟΣΘΗΝΕΙ ΘΗΜΑΙΝΕΙ ΟΤΙ ΡΥΘΜΙΣΤΕ ΤΗ ΔΙΑΡΚΕΙΑ ΘΕΡΜΑΝΣΗΣ Η ΛΥΧΝΙΑ ΘΑ ΕΙΝΑΙ ΑΝΑΜΕΜΕΝΗ ΟΤΑΝ Η ΛΕΙΤΟΥΡΓΙΑ ΘΕΡΜΑΝΣΗΣ ΑΡΧΙΣΕΙ ΝΑ ΛΕΙΤΟΥΡΓΕΙ.

ΟΤΑΝ ΑΥΤΗ Η ΛΥΧΝΙΑ LED ΑΝΑΒΟΣΘΗΝΕΙ ΘΗΜΑΙΝΕΙ ΟΤΙ ΡΥΘΜΙΣΤΕ ΤΟΝ ΑΡΙΘΜΟ ΤΩΝ ΟΡΩΝ ΑΠΟ ΤΩΡΑ ΜΕΧΡΙ ΝΑ ΕΝΕΡΓΟΠΟΙΗΘΕΙ Ο ΘΕΡΜΑΝΤΗΡΑΣ. ΟΤΑΝ Η ΛΥΧΝΙΑ ΕΙΝΑΙ ΑΝΑΜΕΜΕΝΗ, Η ΛΕΙΤΟΥΡΓΙΑ ΧΡΟΝΟΔΙΑΚΟΠΤΗ ΕΞΟΙΚΟΝΟΜΗΣΗΣ ΕΝΕΡΓΕΙΑΣ ΕΧΕΙ ΡΥΘΜΙΣΤΕΙ.

### J ΟΘΟΝΗ LED

ΑΝΟΥ ΕΝΕΡΓΟΠΟΙΗΘΕΙ Η ΟΘΟΝΗ LED ΕΜΦΑΝΙΣΕΙ ΤΗΝ ΤΡΕΧΟΥΣΑ ΘΕΡΜΟΚΡΑΣΙΑ ΝΕΡΟΥ ΑΥΤΟΜΑΤΑ.

ΜΕΤΑ ΑΠΟ 72 ΟΡΕΣ ΦΙΛΤΡΑΡΙΣΜΑΤΟΣ (ΧΩΡΙΣ ΧΡΗΣΗ ΤΗΣ ΛΕΙΤΟΥΡΓΙΑΣ ΧΡΟΝΟΔΙΑΚΟΠΤΗ ΕΞΟΙΚΟΝΟΜΗΣΗΣ ΕΝΕΡΓΕΙΑΣ), Η ΑΝΤΛΙΑ ΘΑ ΠΙΣΤΕΙ ΣΕ ΧΕΙΜΕΡΙΑ ΝΑΡΚΗ ΚΑΙ ΘΑ ΑΝΑΒΟΣΘΗΝΕΙ Η ΕΜΕΙΣΗ "End" ΜΕ ΤΗΝ ΤΡΕΧΟΥΣΑ ΘΕΡΜΟΚΡΑΣΙΑ ΝΕΡΟΥ. ΟΤΑΝ Η ΑΝΤΛΙΑ ΕΙΝΑΙ ΣΕ "ΧΕΙΜΕΡΙΑ ΝΑΡΚΗ" ΟΙ ΛΕΙΤΟΥΡΓΙΕΣ ΘΕΡΜΑΝΣΗΣ ΚΑΙ ΦΙΛΤΡΟΥ ΝΕΡΟΥ ΑΠΕΝΕΡΓΟΠΟΙΟΥΝΤΑΙ ΓΙΑ ΝΑ ΕΠΑΝΕΝΕΡΓΟΠΟΙΗΣΕΤΕ ΤΗΝ ΑΝΤΛΙΑ ΠΙΣΤΕΤΕ ΤΟ ΠΛΗΚΤΡΟ ΚΛΕΙΔΩΜΑΤΟΣ/ΞΕΚΛΕΙΔΩΜΑΤΟΣ ΠΑ 3 ΔΕΥΤΕΡΟΛΕΠΤΑ.

**ΣΗΜΕΙΩΣΗ:** Ο ΡΥΘΜΟΣ ΘΕΡΜΑΝΣΗΣ ΤΟΥ ΝΕΡΟΥ ΜΠΟΡΕΙ ΝΑ ΑΥΞΗΣΕΙ ΣΤΙΣ ΠΑΡΑΚΑΤΩ ΣΥΝΘΗΚΕΣ:

- ΟΤΑΝ Η ΕΣΩΤΕΡΙΚΗ ΘΕΡΜΟΚΡΑΣΙΑ ΕΙΝΑΙ ΚΑΤΩ ΑΠΟ 15°C (59°F).
- ΕΑΝ ΤΟ ΚΑΛΥΜΜΑ ΔΕΝ ΕΙΝΑΙ ΣΤΗ ΘΕΣΗ ΤΟΥΤΑΝ ΕΝΕΡΓΟΠΟΙΗΘΕΙ Η ΛΕΙΤΟΥΡΓΙΑ ΘΕΡΜΑΝΣΗΣ.
- ΣΗΜΕΙΩΣΗ: ΓΙΑ ΝΑ ΕΜΦΑΝΙΣΕΤΕ ΤΗΝ ΤΡΕΧΟΥΣΑ ΘΕΡΜΟΚΡΑΣΙΑ ΝΕΡΟΥ, ΛΕΙΤΟΥΡΓΗΣΤΕ ΤΟ ΣΥΣΤΗΜΑ ΦΙΛΤΡΑΡΙΣΜΑΤΟΣ ΓΙΑ ΤΡΟΧΙΜΩΣΤΟΝ ΕΝΑ ΛΕΙΤΟ. Η ΘΕΡΜΟΚΡΑΣΙΑ ΤΟΥ ΝΕΡΟΥ ΠΟΥ ΕΛΕΓΧΕΤΑΙ ΑΠΟ ΕΝΑ ΕΣΩΤΕΡΙΚΟ ΘΕΡΜΟΜΕΤΡΟ ΜΠΟΡΕΙ ΝΑ ΔΙΑΦΕΡΕΙ ΑΠΟ ΤΗ ΘΕΡΜΟΚΡΑΣΙΑ ΠΟΥ ΕΜΦΑΝΙΖΕΤΑΙ ΣΤΗΝ ΟΘΟΝΗ ΤΟΥ SPA ΜΕΧΡΙ ΚΑΙ ΠΕΡΙΟΥ 2°C.

## ΣΥΝΑΓΕΡΜΟΙ

ΑΙΤΙΑ	ΑΙΤΙΕΣ	ΛΥΣΕΙΣ
<b>E01</b>	ΟΙ ΑΙΣΘΗΤΕΡΕΣ ΠΑΡΟΧΗΣ ΝΕΡΟΥ ΛΕΙΤΟΥΡΓΟΥΝ ΧΩΡΙΣ ΝΑ ΠΙΣΤΕΤΕ ΤΟ ΠΛΗΚΤΡΟ ΦΙΛΤΡΟΥ Η ΘΕΡΜΑΝΣΗΣ.	1. ΑΠΟΣΥΝΔΕΣΤΕ ΤΟ ΒΥΣΙΑ ΑΠΛΑ, ΧΤΥΠΗΣΤΕ ΤΟ ΠΛΕΥΡΟ ΤΗΣ ΑΝΤΛΙΑΣ, ΑΜΑ ΟΧΙ ΒΑΙΑ, ΚΑΙ ΣΥΝΔΕΣΤΕ ΤΟ ΞΑΝΑ. 2. ΕΠΙΚΟΙΝΩΝΗΣΤΕ ΜΕ ΤΟ ΤΟΠΙΚΟ ΣΕΡΒΙΣ ΤΗΣ BESTWAY After Sales ΓΙΑ ΝΑ ΑΒΕΤΕ ΟΔΗΓΙΕΣ.
<b>E02</b>	ΜΕΤΑ ΤΗΝ ΕΚΚΙΝΗΣΗ Η ΚΑΤΑ ΤΗ ΔΙΑΡΚΕΙΑ ΤΩΝ ΛΕΙΤΟΥΡΓΙΩΝ ΦΙΛΤΡΑΡΙΣΜΑΤΟΣ ΗΚΑΙ ΘΕΡΜΑΝΣΗΣ, ΟΙ ΑΙΣΘΗΤΕΡΕΣ ΠΑΡΟΧΗΣ ΝΕΡΟΥ ΔΕΝ ΑΝΙΧΕΥΟΥΝ ΠΑΡΟΧΗ ΝΕΡΟΥ.	1. ΑΦΑΙΡΕΣΤΕ ΤΙΣ 2 ΤΑΓΕΣ ΠΡΙΝ ΑΠΟ ΤΗ ΘΕΡΜΑΝΣΗ, ΑΝΑΤΡΕΣΤΕ ΣΤΗΝ ΕΝΟΤΗΤΑ ΣΥΝΑΡΜΟΛΟΓΗΣΗΣ ΣΤΟ ΕΓΧΕΙΡΙΔΙΟ ΧΡΗΣΗΣ. 2. ΑΦΑΙΡΕΣΤΕ ΤΟ ΣΕΤ ΦΙΛΤΡΟΥ ΜΕΣΑ ΑΠΟ ΤΗΝ ΠΙΣΙΝΑ ΚΑΙ ΠΙΣΤΕΤΕ ΤΟ ΠΛΗΚΤΡΟ ΦΙΛΤΡΟΥ Η ΘΕΡΜΑΝΣΗΣ. ΕΑΝ ΔΕΝ ΕΜΦΑΝΙΣΤΕΙ ΣΥΝΑΓΕΡΜΟΣ, ΚΑΘΑΡΙΣΤΕ Η ΑΛΛΑΞΤΕ ΤΑ ΣΤΟΙΧΕΙΑ ΦΙΛΤΡΟΥ ΚΑΙ ΤΟΠΟΘΕΤΗΣΤΕ ΤΟ ΣΕΤ ΦΙΛΤΡΟΥ ΜΕΣΑ ΣΤΗΝ ΠΙΣΙΝΑ. 3. ΕΠΙΚΟΙΝΩΝΗΣΤΕ ΜΕ ΤΟ ΤΟΠΙΚΟ ΣΕΡΒΙΣ ΤΗΣ BESTWAY After Sales ΓΙΑ ΝΑ ΑΒΕΤΕ ΟΔΗΓΙΕΣ.
<b>E03</b>	ΤΟ ΘΕΡΜΟΜΕΤΡΟ ΤΗΣ ΑΝΤΛΙΑΣ ΕΜΦΑΝΙΖΕΙ ΘΕΡΜΟΚΡΑΣΙΑ ΝΕΡΟΥ ΚΑΤΩ ΑΠΟ 4°C (40°F).	1. Η ΘΕΡΜΟΚΡΑΣΙΑ ΤΟΥ ΝΕΡΟΥ ΕΙΝΑΙ ΧΑΜΗΛΟΤΕΡΗ ΑΠΟ 4°C (40°F). 2. ΕΑΝ Η ΘΕΡΜΟΚΡΑΣΙΑ ΤΟΥ ΝΕΡΟΥ ΕΙΝΑΙ ΜΕΓΑΛΥΤΕΡΗ ΑΠΟ 7°C (44,6°F), ΤΟ ΘΕΡΜΟΜΕΤΡΟ ΤΗΣ ΑΝΤΛΙΑΣ ΕΧΕΙ ΧΑΛΑΣΕΙ.
<b>E04</b>	ΤΟ ΘΕΡΜΟΜΕΤΡΟ ΤΗΣ ΑΝΤΛΙΑΣ ΕΜΦΑΝΙΖΕΙ ΘΕΡΜΟΚΡΑΣΙΑ ΝΕΡΟΥ ΠΑΝΩ ΑΠΟ 50°C (122°F).	1. Η ΘΕΡΜΟΚΡΑΣΙΑ ΤΟΥ ΝΕΡΟΥ ΕΙΝΑΙ ΥΠΗΛΟΤΕΡΗ ΑΠΟ 50°C (122°F). 2. ΕΑΝ Η ΘΕΡΜΟΚΡΑΣΙΑ ΤΟΥ ΝΕΡΟΥ ΕΙΝΑΙ ΧΑΜΗΛΟΤΕΡΗ ΑΠΟ 45°C (113°F), ΤΟ ΘΕΡΜΟΜΕΤΡΟ ΤΗΣ ΑΝΤΛΙΑΣ ΕΧΕΙ ΧΑΛΑΣΕΙ.
<b>E05</b>	ΟΙ ΣΥΝΔΕΣΕΙΣ ΘΕΡΜΟΜΕΤΡΟΥ ΤΗΣ ΑΝΤΛΙΑΣ ΕΧΟΥΝ ΠΡΟΒΛΗΜΑΤΑ.	1. ΟΙ ΣΥΝΔΕΣΜΟΙ ΘΕΡΜΟΜΕΤΡΟΥ ΤΗΣ ΑΝΤΛΙΑΣ ΔΕΝ ΛΕΙΤΟΥΡΓΟΥΝ ΣΩΣΤΑ. 2. ΤΟ ΘΕΡΜΟΜΕΤΡΟ ΤΗΣ ΑΝΤΛΙΑΣ ΕΧΕΙ ΧΑΛΑΣΕΙ.
<b>E08</b>	Ο ΧΕΡΟΚΙΝΗΤΟΣ ΘΕΡΜΙΚΟΣ ΔΙΑΚΟΠΤΗΣ ΕΧΕΙ ΚΑΠΟΙΟ ΠΡΟΒΛΗΜΑ.	1. ΑΠΟΣΥΝΔΕΣΤΕ ΤΗΝ ΑΝΤΛΙΑ ΑΠΟ ΤΗΝ ΤΡΟΦΟΔΟΣΙΑ ΚΑΙ ΠΙΣΤΕΤΕ ΤΟ ΠΛΗΚΤΡΟ ΕΠΙΛΑΘΟΡΑΣ, ΣΤΗ ΣΥΝΕΧΕΙΑ ΕΠΑΝΑΣΥΝΔΕΣΤΕ ΤΗΝ ΑΝΤΛΙΑ. 2. ΣΕ ΠΕΡΙΠΤΩΣΗ ΠΟΥ Ο ΣΥΝΑΓΕΡΜΟΣ ΠΑΡΑΜΕΙΝΕΙ, ΕΛΕΓΕΤΕ ΤΗΝ ΕΝΟΤΗΤΑ ΠΛΗΚΤΡΟ ΕΠΙΛΑΘΟΡΑΣ ΣΤΟ ΕΓΧΕΙΡΙΔΙΟ. 3. ΕΠΙΚΟΙΝΩΝΗΣΤΕ ΜΕ ΤΟ ΤΟΠΙΚΟ ΣΕΡΒΙΣ ΤΗΣ BESTWAY After Sales ΓΙΑ ΝΑ ΑΒΕΤΕ ΟΔΗΓΙΕΣ.

## ΣΥΝΤΗΡΗΣΗ

**ΣΗΜΕΙΩΣΗ: ΤΟ SPA ΘΑ ΑΠΑΙΤΕΙ ΠΡΟΣΘΕΤΟ ΑΕΡΑ ΑΠΟ ΚΑΙΡΟ ΣΕ ΚΑΙΡΟ. ΟΙ ΜΕΤΑΒΟΛΕΣ ΤΗΣ ΘΕΡΜΟΚΡΑΣΙΑΣ ΑΠΟ ΤΗΝ ΗΜΕΡΑ ΣΤΗ ΝΥΧΤΑ ΘΑ ΜΕΤΑΒΑΛΛΟΥΝ ΤΗΝ ΠΙΕΣΗ ΣΤΟ SPA ΚΑΙ ΜΠΟΡΕΙ ΝΑ ΠΡΟΚΑΛΕΣΟΥΝ ΚΑΠΟΙΟ ΠΟΣΟΣΤΟ ΞΕΦΟΥΣΚΩΜΑΤΟΣ. ΠΑΡΑΚΑΛΟΥΜΕ ΑΚΟΛΟΥΘΗΣΤΕ ΤΙΣ ΟΔΗΓΙΕΣ ΣΥΝΑΡΜΟΛΟΓΗΣΗΣ ΚΑΙ ΑΠΟΣΤΡΑΓΓΙΣΤΕ ΤΟ SPA ΠΡΙΝ ΦΟΥΣΚΩΣΤΕ ΣΤΗΝ ΑΚΡΙΒΗ ΠΙΕΣΗ ΠΟΥ ΑΠΑΙΤΕΙΤΑΙ.**

**ΣΗΜΕΙΩΣΗ:** ΠΡΕΠΕΙ ΝΑ ΕΞΑΣΦΑΛΙΣΤΕ ΟΤΙ Η ΑΝΤΛΙΑ ΕΙΝΑΙ ΑΠΟΣΥΝΔΕΔΕΜΜΗ ΑΠΟ ΤΗΝ ΤΡΟΦΟΔΟΣΙΑ ΠΡΙΝ ΕΞΚΙΝΗΣΤΕ ΤΗΝ ΣΥΝΤΗΡΗΣΗ ΤΟΥ SPA ΓΙΑ ΝΑ ΑΠΟΦΥΓΕΤΕ ΤΟΝ ΚΙΝΔΥΝΟ ΤΡΑΥΜΑΤΙΣΜΟΥ Η ΘΑΝΑΤΟΥ.  
**ΣΥΝΤΗΡΗΣΗ ΣΤΟΙΧΕΙΟΥ ΦΙΛΤΡΟΥ**  
**ΣΗΜΕΙΩΣΗ:** ΓΙΑ ΝΑ ΕΞΑΣΦΑΛΙΣΤΕ ΟΤΙ ΤΟ ΝΕΡΟ ΤΟΥ SPA ΠΑΡΜΕΝΕΙ ΚΑΘΑΡΟ, ΕΛΕΓΧΤΕ ΚΑΙ ΚΑΘΑΡΙΖΤΕ ΚΑΘΗΜΕΡΙΝΑ ΤΑ ΣΤΟΙΧΕΙΑ ΦΙΛΤΡΟΥ. ΑΚΟΛΟΥΘΩΝΤΑΣ ΤΑ ΠΑΡΑΚΑΤΩ ΒΗΜΑΤΑ, ΣΗΜΕΙΩΣΗ: ΣΥΝΙΣΤΟΥΜΕ ΤΗΝ ΑΛΛΑΓΗ ΤΩΝ ΣΤΟΙΧΕΙΩΝ ΦΙΛΤΡΟΥ ΚΑΘΕ ΕΒΔΟΜΑΔΑ Η, ΕΑΝ ΤΑ ΣΤΟΙΧΕΙΑ ΦΙΛΤΡΟΥ ΠΑΡΜΕΝΟΥΝ ΛΕΡΩΜΕΝΑ ΚΑΙ ΑΠΟΣΧΙΜΑΤΩΜΕΝΑ, ΘΑ ΠΡΕΠΕΙ ΝΑ ΑΝΤΙΚΑΤΑΣΤΑΘΟΥΝ.



**ΣΥΝΤΗΡΗΣΗ ΝΕΡΟΥ**  
 ΕΙΝΑΙ ΑΠΑΡΑΙΤΗΤΟ ΝΑ ΔΙΑΤΗΡΕΙΤΕ ΚΑΘΑΡΟ ΚΑΙ ΧΗΜΙΚΑ Ισορροπημένο το νερό του spa. Ολοκληρωμένος ο φίλτρος δεν είναι αρκετός για τη σωστή συντήρηση. Συνίσταται η χρήση χημικών πινζών για τη διατήρηση της χημείας του νερού και ταμπλέτες χλωρίου ή βρωμίου (ΜΗΝ ΧΡΗΣΙΜΟΠΟΙΕΙΤΕ ΚΟΚΚΟΥΣ) ΜΕ ΤΟ ΧΗΜΙΚΟ ΠΛΩΤΗΡΑ. ΟΣ ΟΔΗΓΟΣ. ΤΟ ΝΕΡΟ ΘΑ ΠΡΕΠΕΙ ΝΑ ΑΛΛΑΞΕΙ ΚΑΘΕ 3 ΗΜΕΡΕΣ. ΑΥΤΟ ΕΙΝΑΙ ΜΟΝΟ ΜΙΑ ΚΑΘΩΔΗΓΗΣ. Η ΠΙΟΤΗΤΑ ΤΟΥ ΝΕΡΟΥ ΕΠΗΡΕΑΖΕΤΑΙ ΑΠΟ ΤΗ ΣΥΧΝΟΤΗΤΑ ΤΗΣ ΧΡΗΣΗΣ. ΤΑ ΤΟΙΧΑ ΜΠΟΡΟΥΝ ΝΑ ΣΦΑΛΜΑΤΟΥΝ ΤΟ SPA ΚΑΙ ΤΗ ΓΕΝΙΚΗ ΣΥΝΤΗΡΗΣΗ.  
**ΣΗΜΕΙΩΣΗ:** ΣΥΝΙΣΤΟΥΜΕ ΝΑ ΚΑΝΕΤΕ ΕΝΑ ΝΤΟΥΣ ΠΡΙΝ ΧΡΗΣΙΜΟΠΟΙΗΣΕΤΕ ΤΟ Lay-Z-SPA, ΚΑΘΩΣ ΚΑΛΥΝΤΙΚΑ ΠΡΟΪΟΝΤΑ, ΛΟΞΙΟΝ ΚΑΙ ΆΛΛΑ ΚΑΤΑΛΟΙΠΑ ΕΠΙΛΟΓΑ ΣΤΗΝ ΕΠΙΔΕΡΜΙΔΑ ΜΠΟΡΟΥΝ ΓΡΗΓΟΡΑ ΝΑ ΥΠΟΒΑΘΜΙΣΟΥΝ ΤΗΝ ΠΟΙΟΤΗΤΑ ΤΟΥ ΝΕΡΟΥ. ΓΙΑ ΤΗ ΧΡΗΣΗ ΤΟΥ ΧΗΜΙΚΟΥ ΠΛΩΤΗΡΑ, ΠΑΡΑΚΑΛΟΥΜΕ ΑΚΟΛΟΥΘΗΣΤΕ ΤΙΣ ΠΑΡΑΚΑΤΩ ΟΔΗΓΙΕΣ.  
 ΧΡΗΣΗ ΧΗΜΙΚΩΝ ΤΑΜΠΛΕΤΩΝ (ΔΕΝ ΠΕΡΙΛΑΜΒΑΝΕΤΑΙ): ΧΡΗΣΗ ΧΗΜΙΚΟΥ ΥΓΡΟΥ (ΔΕΝ ΠΕΡΙΛΑΜΒΑΝΕΤΑΙ):



**ΣΗΜΕΙΩΣΗ:** ΑΦΑΙΡΕΤΕ ΤΟ ΧΗΜΙΚΟ ΠΛΩΤΗΡΑ ΑΠΟ ΤΟ SPA, ΟΤΑΝ ΑΥΤΟ ΕΙΝΑΙ ΣΕ ΧΡΗΣΗ. ΣΗΜΑΝΤΙΚΟ: ΜΕΤΑ ΤΗΝ ΕΚΤΕΛΕΣΗ ΤΗΣ ΧΗΜΙΚΗΣ ΣΥΝΤΗΡΗΣΗΣ ΚΑΙ ΠΡΙΝ ΤΗ ΧΡΗΣΗ ΤΟΥ SPA, ΧΡΗΣΙΜΟΠΟΙΗΣΤΕ ΕΝΑ ΚΙΤ ΔΟΚΙΜΗΣ (ΔΕΝ ΠΕΡΙΛΑΜΒΑΝΕΤΑΙ) ΓΙΑ ΝΑ ΔΟΚΙΜΗΣΤΕ ΤΗ ΧΗΜΕΙΑ ΤΟΥ ΝΕΡΟΥ. ΣΥΝΙΣΤΑΤΑΙ ΝΑ ΔΙΑΤΗΡΕΙΤΑΙ ΤΟ ΝΕΡΟ ΣΥΜΦΩΝΑ ΜΕ ΤΟΝ ΠΑΡΑΚΑΤΩ ΠΙΝΑΚΑ.

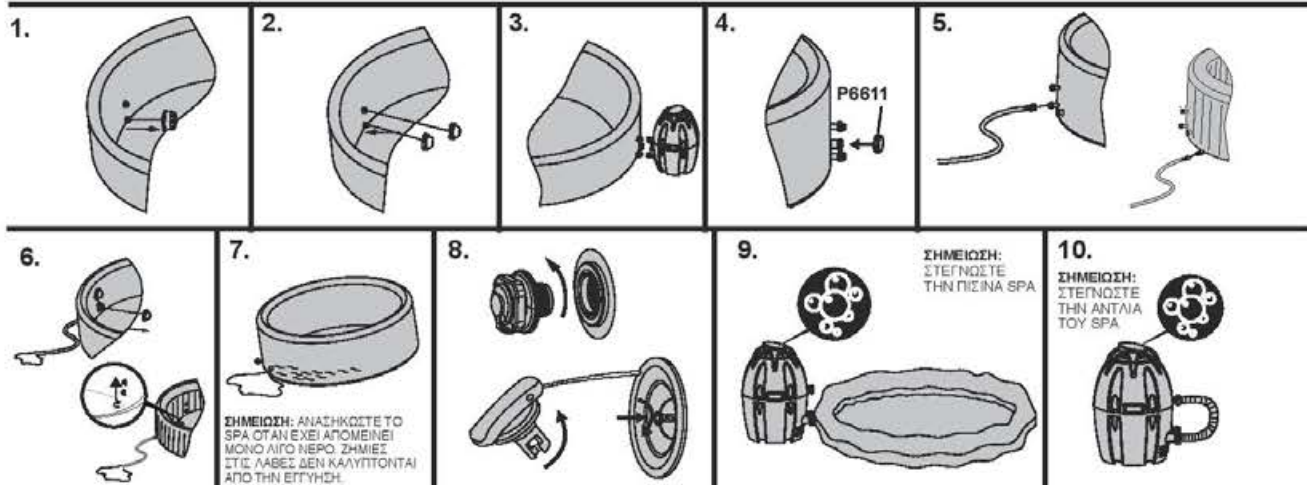
pH	ΣΥΝΟΛΙΚΗ ΑΛΚΑΛΙΚΟΤΗΤΑ	ΕΛΕΥΘΕΡΟ ΧΛΩΡΙΟ
7,4-7,6	80-120 ppm	2-4 ppm

**ΣΗΜΕΙΩΣΗ:** ΖΗΜΙΕΣ ΠΟΥ ΠΡΟΚΥΠΤΟΥΝ ΑΠΟ ΧΗΜΙΚΗ ΑΝΙΣΟΡΡΟΠΙΑ ΔΕΝ ΚΑΛΥΠΤΟΝΤΑΙ ΑΠΟ ΤΗΝ ΕΓΓΥΗΣΗ. ΤΑ ΧΗΜΙΚΑ ΠΙΝΖΑΣ ΕΙΝΑΙ ΠΙΘΑΝΟ ΤΟΞΙΚΑ ΚΑΙ ΘΑ ΠΡΕΠΕΙ ΝΑ ΧΕΙΡΙΖΟΝΤΑΙ ΜΕ ΠΡΟΣΩΧΗ. ΥΠΑΡΧΟΥΝ ΣΟΒΑΡΟΙ ΚΙΝΔΥΝΟΙ ΓΙΑ ΤΗΝ ΥΓΕΙΑ ΑΠΟ ΧΗΜΙΚΟΥΣ ΑΤΜΟΥΣ ΚΑΙ ΤΗ ΛΑΝΘΑΣΜΕΝΗ ΕΠΙΔΗΜΙΑΝ ΚΑΙ ΑΠΟΦΘΕΚΗΣΗ ΤΩΝ ΔΟΧΕΙΩΝ ΤΩΝ ΧΗΜΙΚΩΝ. ΠΑΡΑΚΑΛΟΥΜΕ ΝΑ ΣΥΜΒΟΥΛΕΥΘΕΤΕ ΤΟ ΤΟΠΙΚΟ ΚΑΤΑΣΤΗΜΑ ΠΩΛΗΣΗΣ ΥΛΙΚΩΝ ΠΙΝΖΑΣ ΓΙΑ ΠΕΡΙΣΣΟΤΕΡΕΣ ΠΛΗΡΟΦΟΡΙΕΣ ΣΧΕΤΙΚΑ ΜΕ ΤΗ ΧΗΜΙΚΗ ΣΥΝΤΗΡΗΣΗ. ΔΩΣΤΕ ΠΡΟΣΩΧΗ ΣΤΙΣ ΟΔΗΓΙΕΣ ΤΟΥ ΚΑΤΑΣΚΕΥΑΣΤΗ ΤΩΝ ΧΗΜΙΚΩΝ. ΖΗΜΙΕΣ ΣΤΟ SPA ΠΟΥ ΠΡΟΚΥΠΤΟΥΝ ΑΠΟ ΛΑΝΘΑΣΜΕΝΗ ΧΡΗΣΗ ΤΩΝ ΧΗΜΙΚΩΝ ΚΑΙ ΚΑΚΗ ΔΙΑΧΕΙΡΙΣΗ ΤΟΥ ΝΕΡΟΥ ΤΟΥ SPA ΔΕΝ ΚΑΛΥΠΤΟΝΤΑΙ ΑΠΟ ΤΗΝ ΕΓΓΥΗΣΗ.

**ΡΥΘΜΙΣΗ ΒΑΒΙΔΙΑΣ ΑΕΡΑ (ΜΟΝΟ ΓΙΑ ΤΑ #54129 #54113 #54154 #54156)**  
 ΣΕ ΠΕΡΙΠΤΩΣΗ ΔΙΑΡΡΟΗΣ ΑΕΡΑ, ΕΛΕΓΧΤΕ ΠΡΩΤΑ ΤΗ ΒΑΒΙΔΙΑ ΑΕΡΑ. ΧΡΗΣΙΜΟΠΟΙΩΝΤΑΣ ΣΑΛΟΥΝΟΝΕΡΟ, ΚΑΛΥΨΤΕ ΤΗ ΒΑΒΙΔΙΑ ΑΕΡΑ ΓΙΑ ΝΑ ΕΛΕΓΞΕΤΕ ΕΑΝ ΥΠΑΡΧΕΙ ΔΙΑΡΡΟΗ ΑΕΡΑ. ΑΝ ΝΑΙ, ΧΡΗΣΙΜΟΠΟΙΗΣΤΕ ΤΟ ΠΑΡΕΧΟΜΕΝΟ ΚΛΕΙΔΙ ΓΙΑ ΝΑ ΣΦΙΞΕΤΕ ΤΗ ΒΑΒΙΔΙΑ ΑΕΡΑ ΑΚΟΛΟΥΘΩΝΤΑΣ ΤΑ ΕΞΗΣ ΒΗΜΑΤΑ:  
 • ΜΕ ΤΟ ΕΝΑ ΧΕΡΙ, ΚΡΑΤΗΣΤΕ ΤΟ ΠΙΣΤΟ ΜΕΡΟΣ ΤΗΣ ΒΑΒΙΔΙΑΣ ΑΕΡΟΣ ΑΠΟ ΤΗ ΜΕΣΑ ΠΛΕΥΡΑ ΤΟΥ ΤΟΙΧΩΜΑΤΟΣ ΤΟΥ SPA ΚΑΙ ΠΕΡΙΣΤΡΕΨΤΕ ΤΟ ΚΛΕΙΔΙ ΔΕΞΙΩΣΤΡΩΦΑ.



## ΑΠΟΣΤΡΑΓΓΙΣΗ ΤΟΥ SPA



**ΚΑΘΑΡΙΣΜΟΣ ΤΟΥ SPA:** ΚΑΤΑΛΟΙΠΑ ΑΠΟΡΡΙΠΤΩΝ ΚΑΙ ΔΙΑΛΥΜΑΤΑ ΣΤΕΡΕΑ ΑΠΟ ΜΑΓΙΟ ΚΑΙ ΧΗΜΙΚΑ ΜΠΟΡΕΙ ΝΑ ΣΥΣΣΩΡΕΥΘΟΥΝ ΣΤΑ ΤΟΙΧΩΜΑΤΑ ΤΟΥ SPA. ΧΡΗΣΙΜΟΠΟΙΗΣΤΕ ΣΑΛΟΥΝΙ ΚΑΙ ΝΕΡΟ ΓΙΑ ΝΑ ΚΑΘΑΡΙΖΕΤΕ ΤΑ ΤΟΙΧΩΜΑΤΑ ΚΑΙ ΣΕΡΥΝΩΣΤΕ ΚΑΤΑ

**ΣΗΜΕΙΩΣΗ: ΜΗ ΧΡΗΣΙΜΟΠΟΙΕΙΤΕ ΣΚΛΗΡΕΣ ΒΟΥΡΤΣΕΣ Ή ΑΠΟΞΕΣΤΙΚΑ ΚΑΘΑΡΙΣΤΙΚΑ.**

**ΕΠΙΣΚΕΥΗ SPA**  
 ΓΙΑ SPA #54112, #54123, #54148 ΚΑΙ ΦΟΥΣΚΩΤΟ ΚΑΛΥΜΜΑ.  
 ΕΑΝ ΤΟ SPA ΣΧΙΣΤΕΙ Η ΤΡΥΠΗΣΕΙ, ΧΡΗΣΙΜΟΠΟΙΗΣΤΕ ΤΟ ΠΑΡΕΧΟΜΕΝΟ ΕΠΙΓΡΑΜΜΑ ΕΠΙΣΚΕΥΗΣ ΒΑΡΕΣ ΤΥΓΟΥ.  
 1. ΚΑΘΑΡΙΣΤΕ ΤΗΝ ΠΕΡΙΟΧΗ ΠΟΥ ΠΡΟΚΕΙΤΑΙ ΝΑ ΕΠΙΣΚΕΥΑΣΤΕ.  
 2. ΑΦΑΙΡΕΣΤΕ ΠΡΟΣΕΚΤΙΚΑ ΤΟ ΕΠΙΓΡΑΜΜΑ.  
 3. ΠΙΣΤΕ ΤΟ ΕΠΙΓΡΑΜΜΑ ΠΛΑΝΟ ΣΤΗΝ ΠΕΡΙΟΧΗ ΠΟΥ ΠΡΟΚΕΙΤΑΙ ΝΑ ΕΠΙΣΚΕΥΑΣΤΕ.  
 4. ΠΕΡΙΜΕΝΕΤΕ 30 ΔΕΥΤΕΡΟΛΕΠΤΑ ΠΡΙΝ ΦΟΥΣΚΩΣΤΕ.

ΓΙΑ SPA #54113, #54129, #54154, #54156 (ΜΗ ΣΥΜΠΕΡΙΛΑΜΒΑΝΟΜΕΝΟΥ ΤΟΥ ΦΟΥΣΚΩΤΟΥ ΚΑΛΥΜΜΑΤΟΣ) ΕΑΝ ΤΟ SPA ΣΧΙΣΤΕΙ Η ΤΡΥΠΗΣΕΙ, ΧΡΗΣΙΜΟΠΟΙΗΣΤΕ ΤΟ ΠΑΡΕΧΟΜΕΝΟ ΕΠΙΓΡΑΜΜΑ ΕΠΙΣΚΕΥΗΣ PVC ΚΑΙ ΚΟΛΛΑ (ΔΕΝ ΠΕΡΙΛΑΜΒΑΝΕΤΑΙ) ΑΚΟΛΟΥΘΩΝΤΑΣ ΤΑ ΠΑΡΑΚΑΤΩ ΒΗΜΑΤΑ:  
 1. ΚΑΘΑΡΙΣΤΕ ΚΑΙ ΣΤΕΓΝΩΣΤΕ ΤΗΝ ΠΕΡΙΟΧΗ ΠΟΥ ΠΡΟΚΕΙΤΑΙ ΝΑ ΕΠΙΣΚΕΥΑΣΤΕ.  
 2. ΚΟΨΤΕ ΤΟ ΠΑΡΕΧΟΜΕΝΟ ΕΠΙΓΡΑΜΜΑ PVC ΣΤΟ ΚΑΤΑΛΛΗΛΟ ΜΕΓΕΘΟΣ.  
 3. ΧΡΗΣΙΜΟΠΟΙΗΣΤΕ ΤΗΝ ΚΟΛΛΑ (ΔΕΝ ΠΕΡΙΛΑΜΒΑΝΕΤΑΙ) ΓΙΑ ΤΗΝ ΕΠΙΚΑΛΥΨΗ ΤΗΣ ΜΙΑΣ ΠΛΕΥΡΑΣ ΤΟΥ ΕΠΙΓΡΑΜΜΑΤΟΣ ΠΟΥ ΜΟΛΙΣ ΚΟΨΑΤΕ. ΒΕΒΑΙΩΘΕΙΤΕ ΟΤΙ Η ΚΟΛΛΑ ΕΧΕΙ ΚΑΤΑΝΗΜΗΘΕΙ ΟΜΟΙΟΜΟΡΦΑ.  
 4. ΠΕΡΙΜΕΝΕΤΕ 30 ΔΕΥΤΕΡΟΛΕΠΤΑ ΚΑΙ ΣΤΗ ΣΥΝΕΧΕΙΑ ΤΟΠΟΘΕΤΗΣΤΕ ΤΟ ΚΟΜΜΕΝΟ ΕΠΙΓΡΑΜΜΑ ΜΕ ΤΗΝ ΚΟΛΛΑ ΠΛΑΝΟ ΑΠΟ ΤΗΝ ΚΑΤΕΣΤΡΑΜΜΕΝΗ ΠΕΡΙΟΧΗ.  
 5. ΑΠΟΜΑΚΡΥΝΕΤΕ ΜΕ ΛΕΙΑΣΗ ΦΥΣΑΛΙΔΕΣ ΑΕΡΑ ΠΟΥ ΤΥΧΟΝ ΕΧΟΥΝ ΕΠΙΚΟΒΗΣΤΕΙ ΑΠΟ ΚΑΤΩ ΚΑΙ ΠΙΣΤΕ ΓΕΡΑ ΓΙΑ ΔΥΟ ΛΕΠΤΑ.  
 6. ΤΟ ΠΡΟΪΟΝ ΕΙΝΑΙ ΚΑΙ ΠΑΝΙ ΕΤΟΙΜΟ ΓΙΑ ΧΡΗΣΗ. ΕΠΑΝΑΛΑΒΕΤΕ ΤΗ ΔΙΑΔΙΚΑΣΙΑ ΕΑΝ ΤΥΧΟΝ ΣΗΜΕΙΩΘΟΥΝ ΠΕΡΙΛΕΡΩΔΙΑ ΔΙΑΡΡΟΕΣ.  
 7. ΠΕΡΙΜΕΝΕΤΕ 30 ΛΕΠΤΑ ΠΡΙΝ ΦΟΥΣΚΩΣΤΕ.

## ΑΠΟΘΗΚΕΥΣΗ LAY-Z-SPA

ΒΕΒΑΙΩΘΕΙΤΕ ΟΤΙ ΤΟ SPA ΚΑΙ Η ΑΝΤΛΙΑ ΕΙΝΑΙ ΒΗΤΑΙΩΣ ΣΤΕΓΝΑ. ΑΥΤΟ ΕΙΝΑΙ ΑΠΑΡΑΙΤΗΤΟ ΓΙΑ ΝΑ ΠΑΡΕΤΗΝΕΤΕ ΤΗ ΔΙΑΡΚΗΣ ΖΩΗ ΤΟΥ SPA. ΣΥΝΙΣΤΟΥΜΕ ΝΑ ΧΡΗΣΙΜΟΠΟΙΕΙΤΕ ΤΗΝ ΑΝΤΛΙΑ ΓΙΑ ΝΑ ΣΤΕΓΝΩΣΤΕ ΜΕ ΑΕΡΑ ΤΟ SPA, ΤΗΝ ΑΝΤΛΙΑ ΚΑΙ ΤΙΣ ΣΟΛΗΝΕΣ. ΑΦΑΙΡΕΣΤΕ ΤΑ ΣΕΤ ΦΙΛΤΡΩΝ ΚΑΙ ΑΠΟΡΡΙΨΤΕ ΤΑ ΜΕΤΑΧΕΙΡΙΣΜΕΝΑ ΣΤΟΙΧΕΙΑ ΦΙΛΤΡΟΥ. ΕΠΑΝΟΠΙΟΘΕΤΗΣΤΕ ΤΙΣ ΔΥΟ ΤΑΠΕΣ ΕΠΙΝΩΣΤΕ ΒΑΒΙΔΕΣ ΕΙΣΟΔΟΥ ΚΑΙ ΕΙΣΟΔΟΥ ΤΟΥ SPA. ΣΥΝΕΤΑΓΙ ΝΑ ΑΠΟΘΗΚΕΥΣΤΕ ΤΟ SPA ΣΤΗΝ ΑΡΙΣΤΗ ΤΟΥ ΣΥΣΤΕΜΑΤΟΣ ΣΕ ΘΕΤΗ ΣΤΟ ΚΑΙ ΣΤΡΟ ΜΕΡΟΣ.

**ΣΗΜΕΙΩΣΗ:** ΤΟ ΠΛΑΣΤΙΚΟ ΓΙΝΕΤΑΙ ΕΥΘΡΑΥΣΤΟ ΚΑΙ ΕΥΑΛΩΤΟ ΣΕ ΣΠΑΣΙΜΟ ΟΤΑΝ ΕΚΤΙΘΕΤΑΙ ΣΕ ΘΕΡΜΟΚΡΑΣΙΕΣ ΥΠΟ ΤΟ ΜΗΔΕΝΟΣ. ΤΟ ΠΑΓΩΜΑ ΜΠΟΡΕΙ ΝΑ ΠΡΟΚΑΛΕΣΕΙ ΣΟΒΑΡΗ ΖΗΜΙΑ ΣΤΟ SPA. Η ΑΚΑΤΑΛΛΗΛΗ ΠΡΟΕΤΟΙΜΑΣΙΑ ΤΟΥ SPA ΓΙΑ ΤΟ ΧΕΙΜΩΝΑ ΜΠΟΡΕΙ ΝΑ ΑΚΥΡΩΣΕΙ ΤΗΝ ΕΓΓΥΗΣΗ.

**ΑΠΟΡΡΙΨΗ**  
 ΣΗΜΑΣΙΑ ΤΟΥ ΣΥΜΒΟΛΟΥ ΔΙΑΓΡΑΜΜΕΝΟΥ ΚΑΔΟΥ ΑΠΟΡΡΙΜΜΑΤΩΝ: ΜΗΝ ΑΠΟΡΡΙΨΤΕ ΤΙΣ ΗΛΕΚΤΡΙΚΕΣ ΣΥΣΚΕΥΕΣ ΩΣ ΑΤΑΞΙΝΟΜΗΤΑ ΑΣΤΙΚΑ ΑΠΟΒΑΝΤΑ. ΧΡΗΣΙΜΟΠΟΙΗΣΤΕ ΣΕΧΩΡΙΣΤΕΣ ΕΓΚΑΤΑΣΤΑΣΕΙΣ ΣΥΛΛΟΓΗΣ, ΕΠΙΚΟΙΝΩΝΗΣΤΕ ΜΕ ΤΗΝ ΤΟΠΙΚΗ ΣΑΣ ΑΥΤΟΔΙΟΙΚΗΣΗ ΓΙΑ ΠΛΗΡΟΦΟΡΙΕΣ ΣΧΕΤΙΚΑ ΜΕ ΤΑ ΔΙΑΒΕΣΙΜΑ ΣΥΣΤΗΜΑΤΑ ΣΥΛΛΟΓΗΣ. ΕΑΝ ΟΙ ΗΛΕΚΤΡΙΚΕΣ ΣΥΣΚΕΥΕΣ ΑΠΟΡΡΙΠΤΟΝΤΑΙ ΣΕ ΧΩΡΟΥΣ ΥΠΕΙΘΟΝΟΜΙΚΗΣ, ΤΑΦΗΣ Ή ΧΩΜΑΤΕΡΕΣ, ΜΠΟΡΕΙ ΝΑ ΔΙΑΦΡΕΥΣΟΥΝ ΕΠΙΚΙΝΔΥΝΕΣ ΟΥΣΙΕΣ ΣΤΑ ΥΠΟΓΕΙΑ ΥΔΑΤΑ ΚΑΙ ΝΑ ΕΙΣΕΛΘΟΥΝ ΣΤΗΝ ΤΡΟΦΙΚΗ ΑΛΥΣΙΔΑ, ΒΛΑΠΤΟΝΤΑΣ ΤΗΝ ΥΓΕΙΑ ΚΑΙ ΤΗΝ ΕΥΕΞΙΑ ΣΑΣ. ΚΑΤΑ ΤΗΝ ΑΝΤΙΚΑΤΑΣΤΑΣΗ ΠΑΛΑΙΩΝ ΣΥΣΚΕΥΩΝ ΜΕ ΝΕΕΣ, ΤΟ ΚΑΤΑΣΤΗΜΑ ΠΩΛΗΣΗΣ ΕΧΕΙ ΝΟΜΙΚΗ ΥΠΟΧΡΕΩΣΗ ΝΑ ΠΑΡΑΛΑΒΕΙ ΤΗΝ ΠΑΛΙΑ ΣΥΣΚΕΥΗ ΣΑΣ ΓΙΑ ΑΠΟΡΡΙΨΗ ΤΟΥ ΑΔΕΛΦΟΥΣ ΔΟΡΕΑΝ.

**ΑΝΤΙΜΕΤΩΠΙΣΗ ΠΡΟΒΛΗΜΑΤΩΝ** Η BESTWAY ΠΡΟΣΠΑΘΕΙ ΝΑ ΠΑΡΕΧΕΙ ΤΑ ΠΛΕΟΝ ΑΠΡΟΒΛΗΜΑΤΙΣΤΑ SPA ΣΤΗΝ ΑΓΟΡΑ. ΕΑΝ ΑΝΤΙΜΕΤΩΠΙΣΕΤΕ ΟΠΟΙΑΔΗΠΟΤΕ ΠΡΟΒΛΗΜΑΤΑ, ΜΗΝ ΔΙΣΤΑΖΕΤΕ ΝΑ ΕΠΙΚΟΙΝΩΝΗΣΕΤΕ ΜΕ ΤΗΝ BESTWAY Ή ΤΟΝ ΕΞΟΥΣΙΟΔΟΤΗΜΕΝΟ ΑΝΤΙΠΡΟΣΩΠΟ ΣΑΣ. ΠΑΡΑΚΑΤΩ ΥΠΑΡΧΟΥΝ ΜΕΡΙΚΕΣ ΧΡΗΣΙΜΕΣ ΣΥΜΒΟΥΛΕΣ ΓΙΑ ΝΑ ΣΑΣ ΒΟΗΘΗΣΟΥΝ ΝΑ ΔΙΑΓΝΩΣΤΕ ΚΑΙ ΝΑ ΔΙΟΡΘΩΣΕΤΕ ΚΑΠΟΙΕΣ ΣΥΝΗΘΙΣΜΕΝΕΣ ΑΙΤΙΕΣ ΠΡΟΒΛΗΜΑΤΩΝ.

ΠΡΟΒΛΗΜΑΤΑ	ΠΙΘΑΝΑ ΑΙΤΙΑ	ΛΥΣΕΙΣ
Η ΑΝΤΛΙΑ ΔΕΝ ΛΕΙΤΟΥΡΓΕΙ	- ΔΙΑΚΟΠΗ ΤΡΟΦΟΔΟΣΙΑΣ - ΧΑΛΑΣΜΕΝΑ ΚΥΚΛΩΜΑΤΑ ΤΡΟΦΟΔΟΣΙΑΣ	- ΕΛΕΓΞΤΕ ΤΗΝ ΠΗΓΗ ΤΡΟΦΟΔΟΣΙΑΣ - ΕΠΙΚΟΙΝΩΝΗΣΤΕ ΜΕ ΤΟ ΤΟΠΙΚΟ ΚΕΝΤΡΟ ΣΕΡΒΙΣ ΤΗΣ BESTWAY ΓΙΑ ΟΔΗΓΙΕΣ
Η ΑΝΤΛΙΑ ΔΕΝ ΘΕΡΜΑΙΝΕΤΑΙ ΣΩΣΤΑ	- Η ΘΕΡΜΟΚΡΑΣΙΑ ΕΧΕΙ ΡΥΘΜΙΣΤΕΙ ΠΟΛΥ ΧΑΜΗΛΑ - ΑΚΑΘΑΡΤΟ ΣΤΟΙΧΕΙΟ ΦΙΛΤΡΟΥ - ΕΝΕΡΓΟΠΟΙΗΣΗ ΘΕΡΜΙΚΟΥ ΔΙΑΚΟΠΤΗ - ΤΟ SPA ΔΕΝ ΕΙΝΑΙ ΚΑΛΥΜΜΕΝΟ - ΑΣΤΟΧΙΑ ΘΕΡΜΑΝΤΙΚΟΥ ΣΤΟΙΧΕΙΟΥ Ή ΕΝΕΡΓΟΠΟΙΗΣΗ ΑΣΦΑΛΕΙΑΣ	- ΡΥΘΜΙΣΤΕ ΣΕ ΥΨΗΛΟΤΕΡΗ ΘΕΡΜΟΚΡΑΣΙΑ, ΑΝΑΤΡΕΞΤΕ ΣΤΗΝ ΕΝΟΤΗΤΑ ΛΕΙΤΟΥΡΓΙΑΣ ΤΗΣ ΑΝΤΛΙΑΣ - ΚΑΘΑΡΙΣΤΕ/ΑΝΤΙΚΑΤΑΣΤΗΣΤΕ ΤΟ ΣΤΟΙΧΕΙΟ ΦΙΛΤΡΟΥ, ΑΝΑΤΡΕΞΤΕ ΣΤΗΝ ΕΝΟΤΗΤΑ ΚΑΘΑΡΙΣΜΟΣ ΚΑΙ ΑΝΤΙΚΑΤΑΣΤΑΣΗ ΤΟΥ ΣΤΟΙΧΕΙΟΥ ΦΙΛΤΡΟΥ - ΑΠΟΣΥΝΔΕΣΤΕ ΤΗΝ ΑΝΤΛΙΑ ΚΑΙ ΤΟΠΟΘΕΤΗΣΤΕ ΤΟ ΡΕΥΜΑΤΟΛΗΠΤΗ ΣΕ ΕΝΑ ΣΤΕΓΝΟ, ΔΡΟΣΕΡΟ ΜΕΡΟΣ. ΕΠΑΝΕΚΚΙΝΗΣΤΕ ΤΗΝ ΑΝΤΛΙΑ ΜΟΝΟ ΟΤΑΝ Η ΘΕΡΜΟΚΡΑΣΙΑ ΤΟΥ ΝΕΡΟΥ ΦΘΑΣΕΙ ΤΟΥΣ 35°C (95°F) Ή ΧΑΜΗΛΟΤΕΡΑ, - ΣΥΝΔΕΣΤΕ ΤΟ ΚΑΛΥΜΜΑ - ΕΠΙΚΟΙΝΩΝΗΣΤΕ ΜΕ ΤΟ ΤΟΠΙΚΟ ΣΕΡΒΙΣ ΤΗΣ BESTWAY After Sales ΓΙΑ ΝΑ ΛΑΒΕΤΕ ΟΔΗΓΙΕΣ
ΤΟ ΣΥΣΤΗΜΑ LAY-Z-MASSAGE ΔΕΝ ΛΕΙΤΟΥΡΓΕΙ	- Η ΑΝΤΛΙΑ ΑΕΡΟΣ ΥΠΕΡΘΕΡΜΑΙΝΕΤΑΙ - ΤΟ ΣΥΣΤΗΜΑ Lay-Z-Massage ΣΤΑΜΑΤΑ ΑΥΤΟΜΑΤΑ - ΕΙΝΑΙ ΧΑΛΑΣΜΕΝΗ Η ΑΝΤΛΙΑ ΑΕΡΟΣ	- ΑΠΟΣΥΝΔΕΣΤΕ ΤΗΝ ΑΝΤΛΙΑ ΚΑΙ ΠΕΡΙΜΕΝΕΤΕ ΔΥΟ ΩΡΕΣ ΜΕΧΡΙ ΝΑ ΚΡΥΩΣΕΙ Η ΑΝΤΛΙΑ. - ΕΙΣΑΓΕΤΕ ΤΟ ΡΕΥΜΑΤΟΛΗΠΤΗ ΚΑΙ ΠΙΕΣΤΕ ΤΟ ΠΛΗΚΤΡΟ ΣΥΣΤΗΜΑΤΟΣ LAY-Z-MASSAGE - ΠΙΕΣΤΕ ΤΟ ΠΛΗΚΤΡΟ ΣΥΣΤΗΜΑΤΟΣ LAY-Z-MASSAGE ΓΙΑ ΕΠΑΝΕΝΕΡΓΟΠΟΙΗΣΗ - ΕΠΙΚΟΙΝΩΝΗΣΤΕ ΜΕ ΤΟ ΤΟΠΙΚΟ ΚΕΝΤΡΟ ΣΕΡΒΙΣ ΤΗΣ BESTWAY ΓΙΑ ΟΔΗΓΙΕΣ
ΟΙ ΠΡΟΣΑΡΜΟΓΕΙΣ ΤΗΣ ΑΝΤΛΙΑΣ ΔΕΝ ΕΙΝΑΙ ΣΤΟ ΙΔΙΟ ΕΠΙΠΕΔΟ ΜΕ ΤΟΥΣ ΠΡΟΣΑΡΜΟΓΕΙΣ ΤΟΥ SPA	- ΕΝΑ ΑΠΟ ΤΑ ΧΑΡΑΚΤΗΡΙΣΤΙΚΑ ΤΟΥ ΡΥΣ ΕΙΝΑΙ ΟΤΙ ΑΛΛΑΖΕΙ ΣΧΗΜΑ, ΚΑΤΙ ΤΟ ΟΠΟΙΟ ΕΙΝΑΙ ΦΥΣΙΟΛΟΓΙΚΟ	- ΑΝΥΨΩΣΤΕ ΤΗΝ ΑΝΤΛΙΑ ΜΕ ΞΥΛΑ Ή ΚΑΠΟΙΟ ΑΛΛΟ ΤΥΠΟ ΜΟΝΩΤΙΚΟΥ ΥΛΙΚΟΥ ΓΙΑ ΝΑ ΦΕΡΕΤΕ ΤΟΥΣ ΠΡΟΣΑΡΜΟΓΕΙΣ ΤΗΣ ΑΝΤΛΙΑΣ ΣΤΟ ΙΔΙΟ ΕΠΙΠΕΔΟ ΜΕ ΤΟΥΣ ΠΡΟΣΑΡΜΟΓΕΙΣ ΤΟΥ SPA
ΔΙΑΡΡΟΗ ΣΤΗΝ ΠΙΣΙΝΑ SPA	- ΤΟ SPA ΕΧΕΙ ΣΧΙΣΤΕΙ Η ΤΡΥΠΗΣΕΙ - Η ΒΑΛΒΙΔΑ ΑΕΡΑ ΕΙΝΑΙ ΧΑΛΑΡΗ	- ΧΡΗΣΙΜΟΠΟΙΗΣΤΕ ΤΟ ΠΑΡΕΧΟΜΕΝΟ ΕΠΙΡΑΜΜΑ ΕΠΙΣΚΕΥΗΣ - ΧΡΗΣΙΜΟΠΟΙΩΝΤΑΣ ΣΑΠΟΥΝΟΝΕΡΟ, ΚΑΛΥΨΤΕ ΤΗ ΒΑΛΒΙΔΑ ΑΕΡΑ ΓΙΑ ΝΑ ΕΛΕΓΞΕΤΕ ΕΑΝ ΥΠΑΡΧΕΙ ΔΙΑΡΡΟΗ ΑΕΡΑ, ΑΝ ΝΑΙ, ΧΡΗΣΙΜΟΠΟΙΗΣΤΕ ΤΟ ΠΑΡΕΧΟΜΕΝΟ ΚΛΕΙΔΙ ΓΙΑ ΝΑ ΣΦΙΞΕΤΕ ΤΗ ΒΑΛΒΙΔΑ ΑΕΡΑ ΑΚΟΛΟΥΘΩΝΤΑΣ ΤΑ ΕΞΗΣ ΒΗΜΑΤΑ: 1. ΞΕΦΟΥΣΚΩΣΤΕ ΤΟ SPA. 2. ΜΕ ΤΟ ΕΝΑ ΧΕΡΙ, ΚΡΑΤΗΣΤΕ ΤΟ ΠΙΣΩ ΜΕΡΟΣ ΤΗΣ ΒΑΛΒΙΔΑΣ ΑΕΡΟΣ ΑΠΟ ΤΗ ΜΕΣΑ ΠΛΕΥΡΑ ΤΟΥ ΤΟΙΧΩΜΑΤΟΣ ΤΟΥ SPA ΚΑΙ ΠΕΡΙΣΤΡΕΨΤΕ ΤΟ ΚΛΕΙΔΙ ΔΕΞΙΟΣΤΡΟΦΑ.
ΤΟ ΝΕΡΟ ΔΕΝ ΕΙΝΑΙ ΚΑΘΑΡΟ	- ΑΝΕΠΑΡΚΗΣ ΧΡΟΝΟΣ ΦΙΛΤΡΑΡΙΣΜΑΤΟΣ - ΑΚΑΘΑΡΤΟ ΣΤΟΙΧΕΙΟ ΦΙΛΤΡΟΥ - ΛΑΝΘΑΣΜΕΝΗ ΣΥΝΤΗΡΗΣΗ ΝΕΡΟΥ	- ΑΥΞΗΣΤΕ ΤΟ ΧΡΟΝΟ ΦΙΛΤΡΑΡΙΣΜΑΤΟΣ - ΚΑΘΑΡΙΣΤΕ/ΑΝΤΙΚΑΤΑΣΤΗΣΤΕ ΤΟ ΣΤΟΙΧΕΙΟ ΦΙΛΤΡΟΥ. (ΑΝΑΤΡΕΞΤΕ ΣΤΗΝ ΕΝΟΤΗΤΑ ΚΑΘΑΡΙΣΜΟΣ ΚΑΙ ΑΝΤΙΚΑΤΑΣΤΑΣΗ ΤΟΥ ΣΤΟΙΧΕΙΟΥ ΦΙΛΤΡΟΥ) - ΑΝΑΤΡΕΞΤΕ ΣΤΙΣ ΟΔΗΓΙΕΣ ΤΟΥ ΚΑΤΑΣΚΕΥΑΣΤΗ ΤΩΝ ΧΗΜΙΚΩΝ
ΑΠΟΤΥΧΙΑ ΔΟΚΙΜΗΣ PRCD	- ΚΑΤΙ ΔΕΝ ΠΑΕΙ ΚΑΛΑ ΜΕ ΤΟ SPA	ΕΠΙΚΟΙΝΩΝΗΣΤΕ ΜΕ ΤΟ ΤΟΠΙΚΟ ΚΕΝΤΡΟ ΣΕΡΒΙΣ ΤΗΣ BESTWAY ΚΑΙ ΕΠΙΣΤΡΕΨΤΕ ΤΟ SPA.
Ο ΠΙΝΑΚΑΣ ΕΛΕΓΧΟΥ ΔΕΝ ΛΕΙΤΟΥΡΓΕΙ	- Ο ΠΙΝΑΚΑΣ ΕΛΕΓΧΟΥ ΔΙΑΘΕΤΕΙ ΑΥΤΟΜΑΤΟ ΚΛΕΙΔΙΩΜΑ, ΤΟ ΟΠΟΙΟ ΕΝΕΡΓΟΠΟΙΕΙΤΑΙ ΜΕΤΑ ΑΠΟ 5 ΛΕΠΤΑ ΑΔΡΑΝΕΙΑΣ Ή ΘΟΣΟΝΗ LED ΕΧΕΙ ΕΝΑ ΕΙΚΟΝΙΔΙΟ  ΕΑΝ ΤΟ ΕΙΚΟΝΙΔΙΟ ΚΛΕΙΔΙΑΡΙΑΣ ΕΙΝΑΙ ΦΩΤΙΣΜΕΝΟ, Ο ΠΙΝΑΚΑΣ ΕΛΕΓΧΟΥ ΕΙΝΑΙ ΚΛΕΙΔΙΩΜΕΝΟΣ. - Ο ΠΙΝΑΚΑΣ ΕΛΕΓΧΟΥ ΔΕΝ ΕΙΝΑΙ ΕΝΕΡΓΟΠΟΙΗΜΕΝΟΣ.	- ΓΙΑ ΝΑ ΣΕΚΛΕΙΔΩΣΕΤΕ ΤΟΝ ΠΙΝΑΚΑ ΕΛΕΓΧΟΥ, ΠΙΕΣΤΕ ΤΟ ΠΛΗΚΤΡΟ  ΓΙΑ 3 ΔΕΥΤΕΡΟΛΕΠΤΑ. ΕΑΝ Ο ΠΙΝΑΚΑΣ ΕΛΕΓΧΟΥ ΔΕΝ ΣΕΚΛΕΙΔΩΣΕΙ, ΕΠΑΝΕΚΚΙΝΗΣΤΕ ΤΗΝ ΑΝΤΛΙΑ – ΑΠΟΣΥΝΔΕΣΤΕ ΚΑΙ ΕΠΑΝΑΣΥΝΔΕΣΤΕ ΤΗΝ ΑΝΤΛΙΑ. - ΠΙΕΣΤΕ ΤΟ ΠΛΗΚΤΡΟ on/off ΓΙΑ 2 ΔΕΥΤΕΡΟΛΕΠΤΑ. ΕΑΝ ΤΟ ΠΡΟΒΛΗΜΑ ΣΥΝΕΧΙΣΤΕΙ, ΕΠΙΚΟΙΝΩΝΗΣΤΕ ΜΕ ΤΟ ΤΟΠΙΚΟ ΚΕΝΤΡΟ ΣΕΡΒΙΣ ΤΗΣ BESTWAY ΓΙΑ ΟΔΗΓΙΕΣ.
ΤΙ ΕΙΔΟΥΣ ΧΗΜΙΚΑ ΠΡΕΠΕΙ ΝΑ ΧΡΗΣΙΜΟΠΟΙΟΥΝΤΑΙ ΓΙΑ ΤΗ ΣΥΝΤΗΡΗΣΗ ΤΟΥ ΝΕΡΟΥ;	ΠΑΡΑΚΑΛΟΥΜΕ ΣΥΜΒΟΥΛΕΥΘΕΙΤΕ ΤΟΝ ΤΟΠΙΚΟ ΣΑΣ ΠΡΟΜΗΘΕΥΤΗ ΧΗΜΙΚΩΝ ΓΙΑ ΠΛΗΡΟΦΟΡΙΕΣ ΣΧΕΤΙΚΑ ΜΕ ΤΗ ΧΗΜΙΚΗ ΣΥΝΤΗΡΗΣΗ. ΔΩΣΤΕ ΠΡΟΣΟΧΗ ΣΤΙΣ ΟΔΗΓΙΕΣ ΤΟΥ ΚΑΤΑΣΚΕΥΑΣΤΗ ΤΩΝ ΧΗΜΙΚΩΝ.	
ΥΠΑΡΧΕΙ ΔΙΑΡΡΟΗ ΝΕΡΟΥ ΑΠΟ ΤΟΥΣ ΠΡΟΣΑΡΜΟΓΕΙΣ ΜΕΤΑΞΥ ΤΗΣ ΑΝΤΛΙΑΣ ΚΑΙ ΤΟΥ SPA	ΤΟΠΟΘΕΤΗΣΤΕ ΤΙΣ ΤΑΠΕΣ ΣΤΙΣ ΘΥΡΕΣ ΤΟΥ SPA ΓΙΑ ΤΗΝ ΠΡΟΛΗΨΗ ΔΙΑΦΥΓΗΣ ΝΕΡΟΥ ΚΑΙ ΑΠΟΣΥΝΔΕΣΤΕ ΤΗΝ ΑΝΤΛΙΑ. ΕΛΕΓΞΤΕ ΚΑΙ ΒΕΒΑΙΩΘΕΙΤΕ ΟΤΙ ΟΙ ΣΤΕΓΑΝΟΠΟΙΗΣΕΙΣ ΕΙΝΑΙ ΣΩΣΤΑ ΤΟΠΟΘΕΤΗΜΕΝΕΣ ΜΕΣΑ ΣΤΟΥΣ ΠΡΟΣΑΡΜΟΓΕΙΣ ΤΗΣ ΑΝΤΛΙΑΣ. ΕΑΝ ΟΙ ΣΤΕΓΑΝΟΠΟΙΗΣΕΙΣ ΛΕΙΠΟΥΝ Ή ΔΕΝ ΕΧΟΥΝ ΕΓΚΑΤΑΣΤΑΘΕΙ ΣΩΣΤΑ, ΕΠΙΚΟΙΝΩΝΗΣΤΕ ΜΕ ΤΟ ΤΟΠΙΚΟ ΚΕΝΤΡΟ ΣΕΡΒΙΣ ΤΗΣ BESTWAY ΓΙΑ ΟΔΗΓΙΕΣ. ΕΑΝ ΟΙ ΣΤΕΓΑΝΟΠΟΙΗΣΕΙΣ ΕΙΝΑΙ ΣΩΣΤΑ ΣΤΗ ΘΕΣΗ ΤΟΥΣ, ΕΠΑΝΑΣΥΝΔΕΣΤΕ ΤΗΝ ΑΝΤΛΙΑ ΣΤΟ SPA ΚΑΙ ΣΦΙΞΤΕ ΤΟΥΣ ΠΡΟΣΑΡΜΟΓΕΙΣ ΜΕ ΤΟ ΧΕΡΙ.	

# ΠΕΡΙΟΡΙΣΜΕΝΗ ΕΓΓΥΗΣΗ ΚΑΤΑΣΚΕΥΑΣΤΗ BESTWAY®

ΤΟ ΠΡΟΪΟΝ ΠΟΥ ΑΓΟΡΑΣΑΤΕ ΠΑΡΕΧΕΤΑΙ ΜΕ ΜΙΑ ΠΕΡΙΟΡΙΣΜΕΝΗ ΕΓΓΥΗΣΗ. Η BESTWAY® ΥΠΟΣΤΗΡΙΖΕΙ ΤΗΝ ΕΓΓΥΗΣΗ ΠΟΙΟΤΗΤΑΣ ΜΑΣ ΚΑΙ ΔΙΑΒΕΒΑΙΩΝΕΙ, ΜΕΣΩ ΜΙΑΣ ΕΓΓΥΗΣΗΣ ΑΝΤΙΚΑΤΑΣΤΑΣΗΣ, ΟΤΙ ΤΟ ΠΡΟΪΟΝ ΣΑΣ ΘΑ ΕΙΝΑΙ ΑΠΑΛΛΑΓΜΕΝΟ ΑΠΟ ΕΛΑΤΤΩΜΑΤΑ ΤΟΥ ΚΑΤΑΣΚΕΥΑΣΤΗ. ΓΙΑ ΝΑ ΚΙΝΗΘΕΙ ΜΙΑ ΑΞΙΩΣΗ ΕΓΓΥΗΣΗΣ, ΠΡΕΠΕΙ ΝΑ ΣΥΜΠΛΗΡΩΘΕΙ ΑΥΤΟ ΤΟ ΕΝΤΥΠΟ ΚΑΙ ΝΑ ΥΠΟΒΛΗΘΕΙ ΣΥΝΟΔΕΥΟΜΕΝΟ ΑΠΟ ΕΝΑ ΑΝΤΙΓΡΑΦΟ ΤΗΣ ΑΠΟΔΕΙΞΗΣ ΑΓΟΡΑΣ ΣΑΣ ΣΤΟ ΤΟΠΙΚΟ ΚΕΝΤΡΟ ΣΕΡΒΙΣ ΜΕΤΑ ΤΗΝ ΠΩΛΗΣΗ ΤΗΣ BESTWAY. ΠΑΡΑΚΑΛΟΥΜΕ ΕΠΙΚΟΙΝΩΝΗΣΤΕ ΜΕ ΤΟ ΤΟΠΙΚΟ ΚΕΝΤΡΟ ΣΕΡΒΙΣ ΜΕΤΑ ΤΗΝ ΠΩΛΗΣΗ ΤΗΣ BESTWAY ΠΡΙΝ ΑΠΟ ΤΗΝ ΑΠΟΣΤΟΛΗ ΟΠΟΙΟΔΗΠΟΤΕ ΕΓΓΡΑΦΩΝ. ΘΑ ΣΑΣ ΠΑΡΑΣΧΟΥΝ ΠΛΗΡΕΙΣ ΟΔΗΓΙΕΣ ΓΙΑ ΤΟ ΤΙ ΧΡΕΙΑΖΕΤΑΙ ΓΙΑ ΤΗΝ ΑΞΙΩΣΗ ΣΑΣ. Η BESTWAY® ΔΕΝ ΘΑ ΑΝΤΙΚΑΤΑΣΤΗΣΕΙ ΟΠΟΙΑΔΗΠΟΤΕ ΠΡΟΪΟΝΤΑ ΘΕΩΡΗΣΕΙ ΟΤΙ ΕΧΟΥΝ ΚΑΤΑΣΤΡΑΦΕΙ ΛΟΓΩ ΑΜΕΛΕΙΑΣ Η ΛΟΓΩ ΤΟΥ ΟΤΙ ΕΧΟΥΝ ΧΡΗΣΙΜΟΠΟΙΗΘΕΙ ΕΚΤΟΣ ΤΩΝ ΚΑΤΕΥΘΥΝΤΗΡΙΩΝ ΟΔΗΓΙΩΝ ΣΤΟ ΕΓΧΕΙΡΙΔΙΟ ΙΔΙΟΚΤΗΤΗ. Η ΕΓΓΥΗΣΗ ΤΗΣ BESTWAY ΚΑΛΥΠΤΕΙ ΕΛΑΤΤΩΜΑΤΑ ΚΑΤΑΣΚΕΥΗΣ ΠΟΥ ΑΝΑΚΑΛΥΦΘΗΚΑΝ ΚΑΤΑ ΤΗΝ ΑΠΟΣΥΣΚΕΥΑΣΙΑ ΤΟΥ ΠΡΟΪΟΝΤΟΣ Η ΚΑΤΑ ΤΗ ΧΡΗΣΗ, ΟΠΩΣ ΣΥΝΙΣΤΑΤΑΙ ΣΤΟ ΕΓΧΕΙΡΙΔΙΟ ΧΡΗΣΗΣ. Η ΕΓΓΥΗΣΗ ΑΥΤΗ ΙΣΧΥΕΙ ΜΟΝΟ ΓΙΑ ΠΡΟΪΟΝΤΑ ΠΟΥ ΔΕΝ ΠΡΕΠΕΙ ΝΑ ΕΧΟΥΝ ΤΡΟΠΟΠΟΙΗΘΕΙ ΑΠΟ ΟΠΟΙΟΔΗΠΟΤΕ ΤΡΙΤΟ. ΤΟ ΠΡΟΪΟΝ ΠΡΕΠΕΙ ΝΑ ΑΠΘΗΚΕΥΕΤΑΙ ΚΑΙ ΝΑ ΥΠΟΣΤΕΙ ΧΕΙΡΙΣΜΟ ΣΥΜΦΩΝΑ ΜΕ ΤΙΣ ΤΕΧΝΙΚΕΣ ΣΥΣΤΑΣΕΙΣ. Η ΕΓΓΥΗΣΗ ΔΕΝ ΚΑΛΥΠΤΕΙ ΖΗΜΙΕΣ ΠΟΥ ΠΡΟΚΛΗΘΗΚΑΝ ΑΠΟ ΚΑΚΗ ΧΡΗΣΗ, ΚΑΤΑΧΡΗΣΗ, ΑΜΕΛΕΙΑ, ΣΥΜΠΕΡΙΛΑΜΒΑΝΟΜΕΝΩΝ, ΑΛΛΑ ΧΩΡΙΣ ΝΑ ΠΕΡΙΟΡΙΖΟΝΤΑΙ ΣΕ ΣΥΓΚΡΟΥΣΗ, ΦΩΤΙΑ, ΧΡΗΣΗ ΛΑΝΘΑΣΜΕΝΗΣ ΤΑΣΗΣ, ΣΕ ΥΠΕΡΒΟΛΙΚΗ ΕΚΘΕΣΗ ΣΤΗ ΘΕΡΜΟΤΗΤΑ, ΑΚΑΤΑΛΛΗΛΗ ΕΓΚΑΤΑΣΤΑΣΗ, ΑΚΑΤΑΛΛΗΛΗ ΚΑΛΩΔΙΩΣΗ Η ΔΟΚΙΜΕΣ, ΑΚΑΤΑΛΛΗΛΗ ΑΠΘΗΚΕΥΣΗ. ΟΙ ΑΝΤΙΚΑΤΑΣΤΑΣΕΙΣ ΚΑΙ ΟΙ ΕΠΙΣΚΕΥΕΣ ΔΕΝ ΠΑΡΑΤΕΙΝΟΥΝ ΤΗ ΔΙΑΡΚΕΙΑ ΤΗΣ ΕΓΓΥΗΣΗΣ. Η ΗΜΕΡΟΜΗΝΙΑ ΕΝΑΡΞΗΣ ΤΗΣ ΕΓΓΥΗΣΗΣ ΕΙΝΑΙ Η ΗΜΕΡΟΜΗΝΙΑ ΠΩΛΗΣΗΣ ΠΟΥ ΕΜΦΑΝΙΖΕΤΑΙ ΣΤΗΝ ΠΡΩΤΟΤΥΠΗ ΑΠΟΔΕΙΞΗ/ΤΙΜΟΛΟΓΙΟ ΑΓΟΡΑΣ.

ΠΑΡΑΚΑΛΟΥΜΕ ΕΠΙΛΕΞΤΕ ΤΟ SPA ΣΑΣ



ΠΡΟΣ: ΤΜΗΜΑ ΣΕΡΒΙΣ BESTWAY®

ΗΜΕΡΟΜΗΝΙΑ ΑΓΟΡΑΣ: \_\_\_\_\_

ΗΜΕΡΟΜΗΝΙΑ: \_\_\_\_\_

ΚΩΔΙΚΟΣ ΑΡΙΘΜΟΣ ΠΕΛΑΤΗ: \_\_\_\_\_

ΦΑΞ/Ε-ΜΑΙΛ/ΤΗΛ: ΠΑΡΑΚΑΛΟΥΜΕ ΑΝΑΦΕΡΘΕΙΤΕ ΣΤΗ ΧΩΡΑ ΣΑΣ, ΣΥΜΦΩΝΑ ΜΕ ΤΙΣ ΠΛΗΡΟΦΟΡΙΕΣ ΠΟΥ ΘΑ ΒΡΕΙΤΕ ΣΤΟ ΠΙΣΩ ΕΞΩΦΥΛΛΟ Η ΣΤΗΝ ΙΣΤΟΣΕΛΙΔΑ ΜΑΣ: [www.bestwaycorp.com](http://www.bestwaycorp.com)

ΠΑΡΑΚΑΛΩ ΠΑΡΑΣΧΕΤΕ ΤΑ ΠΛΗΡΗ ΣΤΟΙΧΕΙΑ ΤΗΣ ΔΙΕΥΘΥΝΣΗΣ ΣΑΣ **ΣΗΜΒΩΣΗ:** ΕΛΛΗΝ ΣΤΟΙΧΕΙΑ ΔΙΕΥΘΥΝΣΗΣ ΘΑ ΕΧΟΥΝ ΩΣ ΑΠΟΤΕΛΕΣΜΑ ΚΑΘΥΣΤΕΡΗΣΕΙΣ ΣΤΙΣ ΑΠΟΣΤΟΛΕΣ. Η BESTWAY ΔΙΑΤΗΡΕΙ ΤΟ ΔΙΚΑΙΩΜΑ ΧΡΕΩΣΗΣ ΓΙΑ ΤΗΝ ΕΚ ΝΕΟΥ ΠΑΡΑΔΟΣΗ ΤΩΝ ΜΗ ΠΑΡΑΔΟΘΕΤΩΝ ΔΕΜΑΤΩΝ ΛΟΓΩ ΥΠΑΙΤΙΟΤΗΤΑΣ ΤΟΥ ΠΑΡΑΛΗΠΤΗ.

## ΑΠΑΙΤΟΥΜΕΝΕΣ ΠΛΗΡΟΦΟΡΙΕΣ - ΠΑΡΑΚΑΛΟΥΜΕ ΓΡΑΨΤΕ ΤΗ ΔΙΕΥΘΥΝΣΗ ΠΑΡΑΔΟΣΗΣ

ΟΝΟΜΑ: \_\_\_\_\_ ΔΙΕΥΘΥΝΣΗ: \_\_\_\_\_

ΤΑΧ. ΚΩΔΙΚΟΣ: \_\_\_\_\_ ΚΑΤΑΣΤΗΜΑ ΠΩΛΗΣΗΣ: \_\_\_\_\_

ΧΩΡΑ: \_\_\_\_\_ ΠΟΛΗ: \_\_\_\_\_

ΚΙΝΗΤΟ: \_\_\_\_\_ ΤΗΛΕΦΩΝΟ: \_\_\_\_\_

ΦΑΞ: \_\_\_\_\_ E-MAIL: \_\_\_\_\_

ΑΡΙΘΜΟΣ ΠΑΡΤΙΔΑΣ ΑΝΤΛΙΑΣ SPA: \_\_\_\_\_ ΑΡΙΘΜΟΣ ΠΑΡΤΙΔΑΣ ΠΙΣΙΝΑΣ SPA: \_\_\_\_\_

ΚΩΔΙΚΟΣ ΕΞΑΡΤΗΜΑΤΟΣ ΑΝΤΛΙΑΣ SPA: \_\_\_\_\_



ΟΛΑ ΤΑ ΣΧΕΔΙΑ ΕΙΝΑΙ ΜΟΝΟ ΓΙΑ ΛΟΓΟΥΣ ΑΠΕΙΚΟΝΙΣΗΣ. ΔΕΝ ΕΙΝΑΙ ΥΠΟ ΚΛΙΜΑΚΑ.

## ΠΕΡΙΓΡΑΦΗ ΠΡΟΒΛΗΜΑΤΟΣ

- ΔΙΑΡΡΟΗ SPA
- ΤΟ ΣΥΣΤΗΜΑ ΦΙΛΤΡΑΡΙΣΜΑΤΟΣ ΔΕΝ ΛΕΙΤΟΥΡΓΕΙ
- ΤΟ ΣΥΣΤΗΜΑ ΘΕΡΜΑΝΣΗΣ ΔΕΝ ΛΕΙΤΟΥΡΓΕΙ
- Ο ΠΙΝΑΚΑΣ ΕΛΕΓΧΟΥ ΕΜΦΑΝΙΖΕΙ ΜΙΑ ΒΛΑΒΗ ΠΟΥ ΔΕΝ ΜΠΟΡΕΙ ΝΑ ΛΥΘΕΙ
- ΤΟ ΣΥΣΤΗΜΑ LAY-Z-MASSAGE ΔΕΝ ΛΕΙΤΟΥΡΓΕΙ
- ΔΙΑΡΡΟΗ ΑΝΤΛΙΑΣ
- ΔΙΑΡΡΟΗ ΠΡΟΣΑΡΜΟΓΕΑ
- ΛΕΙΠΕΙ ΕΞΑΡΤΗΜΑ - ΠΑΡΑΚΑΛΟΥΜΕ ΧΡΗΣΙΜΟΠΟΙΗΣΤΕ ΤΟΝ ΚΩΔΙΚΟ ΓΙΑ ΤΟ ΕΞΑΡΤΗΜΑ ΠΟΥ ΛΕΙΠΕΙ, ΑΥΤΟ ΜΠΟΡΕΙ ΝΑ ΒΡΕΘΕΙ ΣΤΟ ΕΓΧΕΙΡΙΔΙΟ ΧΡΗΣΤΗ.
- ΆΛΛΟ (ΠΑΡΑΚΑΛΟΥΜΕ ΠΕΡΙΓΡΑΨΤΕ)

ΣΗΜΑΝΤΙΚΟ: ΘΑ ΑΝΤΙΚΑΤΑΣΤΑΘΕΙ ΜΟΝΟ ΤΟ ΚΑΤΕΣΤΡΑΜΜΕΝΟ ΕΞΑΡΤΗΜΑ, ΟΧΙ ΤΟ ΠΛΗΡΕΣ ΣΕΤ

Η BESTWAY ΔΙΑΤΗΡΕΙ ΤΟ ΔΙΚΑΙΩΜΑ ΝΑ ΖΗΤΗΣΕΙ ΦΩΤΟΓΡΑΦΙΚΑ ΑΠΟΔΕΙΚΤΙΚΑ ΣΤΟΙΧΕΙΑ ΤΩΝ ΕΛΑΤΤΩΜΑΤΙΚΩΝ ΕΞΑΡΤΗΜΑΤΩΝ,

Η ΝΑ ΑΠΑΙΤΗΣΕΙ ΤΗΝ ΑΠΟΣΤΟΛΗ ΤΟΥ ΕΞΑΡΤΗΜΑΤΟΣ ΓΙΑ ΠΡΟΣΘΕΤΕΣ ΔΟΚΙΜΕΣ.

ΠΡΟΚΕΙΜΕΝΟΥ ΝΑ ΣΑΣ ΒΟΗΘΗΣΟΥΜΕ ΚΑΛΥΤΕΡΑ, ΖΗΤΑΜΕ ΟΛΕΣ ΟΙΣ ΠΛΗΡΟΦΟΡΙΕΣ ΠΟΥ ΠΑΡΕΧΕΤΕ ΝΑ ΕΙΝΑΙ ΠΛΗΡΕΙΣ.

ΓΙΑ ΣΥΧΝΕΣ ΕΡΩΤΗΣΕΙΣ, ΕΓΧΕΙΡΙΔΙΑ, ΒΙΝΤΕΟ Η ΑΝΤΑΛΛΑΚΤΙΚΑ, ΠΑΡΑΚΑΛΟΥΜΕ ΕΠΙΣΚΕΦΘΕΙΤΕ ΤΗΝ ΙΣΤΟΣΕΛΙΔΑ ΜΑΣ [www.bestwaycorp.com](http://www.bestwaycorp.com)

ΒΙΝΤΕΟ ΔΙΑΤΙΘΕΝΤΑΙ ΕΠΙΣΗΣ ΣΤΟ ΔΙΚΟ ΜΑΣ ΚΑΝΑΛΙ BESTWAY ΣΤΟ YOUTUBE: [www.youtube.com/user/BestwayService](http://www.youtube.com/user/BestwayService)





# СОДЕРЖАНИЕ

Посетите канал Bestway на YouTube

1. Инструкции по технике безопасности ....	стр. 137	5. Обслуживание .....	стр. 149
2. Технические характеристики .....	стр. 140	Обслуживание картриджа фильтра	
3. Установка .....	стр. 143	Уход за водой в бассейне	
Выбор участка		Настройка воздушного клапана	
Проверка насоса		Слив воды из бассейна	
4. Эксплуатация насоса .....	стр. 148	Чистка бассейна	
Сброс настроек нагревателя		Ремонт бассейна	
Панель управления		Хранение бассейна Lay-Z-Spa	
Аварийные сигналы		Утилизация	
		6. Устранение неисправностей .....	стр. 150
		7. Гарантию .....	стр. 151



## ИНСТРУКЦИИ ПО ТЕХНИКЕ БЕЗОПАСНОСТИ

При установке и эксплуатации электрического оборудования необходимо соблюдать основные требования техники безопасности, а именно:

**ВАЖНЫЕ ИНСТРУКЦИИ ПО ТЕХНИКЕ БЕЗОПАСНОСТИ. ПРОЧИТАЙТЕ И СОБЛЮДАЙТЕ ВСЕ ИНСТРУКЦИИ.**

### ВНИМАНИЕ!

- Питание бассейна должно осуществляться через изолирующий трансформатор или устройство защитного отключения (УЗО) с номинальным остаточным током срабатывания, не превышающим 30 мА.
- Насос нужно проверять перед каждым использованием; для проведения проверки следуйте указаниям руководства по эксплуатации насоса.
- Если шнур питания поврежден, во избежание опасной ситуации его замену должен осуществлять производитель, его представитель по сервису или специалисты аналогичной квалификации.
- Для снижения опасности поражения электрическим током не пользуйтесь удлинителем для подсоединения устройства к источнику электропитания; обеспечьте наличие должным образом установленной розетки.
- Никакие компоненты этого устройства не должны находиться над бассейном во время его использования.
- Компоненты с деталями, находящимися под напряжением, за исключением деталей под безопасным сверхнизким напряжением, не превышающим 12 В, должны быть недоступны для людей, находящихся в спа-бассейне. Детали с электрическими компонентами, кроме устройств дистанционного управления, должны быть расположены и закреплены так, чтобы они не могли упасть в спа-бассейн.
- Бассейн должен быть оснащен заземленным источником питания.
- **Внимание! Штепсельная вилка должна быть постоянно сухой. Категорически запрещается выполнять подключение влажной штепсельной вилкой!**
- После установки бассейна штепсельная вилка должна быть доступна.

**ОСТОРОЖНО!** Во избежание опасности вследствие самопроизвольного сброса теплового выключателя это устройство не должно запитываться через внешнее коммутационное устройство, например, через таймер, или подключаться к цепи, которая регулярно включается или выключается хозяйственно-бытовыми установками или оборудованием.

После использования бассейна в течение 3-5 лет вам следует обратиться к местному квалифицированному специалисту по техническому обслуживанию для обеспечения безопасной и производительной работы бассейна. Силами профессиональных специалистов следует проверить и при необходимости заменить основные внутренние компоненты электрооборудования, такие как нагревательный элемент, электродвигатель вентилятора и обратные клапаны.

- **ВО ИЗБЕЖАНИЕ ПОРАЖЕНИЯ ЭЛЕКТРИЧЕСКИМ ТОКОМ НЕ ПОЛЬЗУЙТЕСЬ БАСЕЙНОМ ВО ВРЕМЯ ДОЖДЯ.**
- Ни в коем случае не носите контактные линзы, находясь в бассейне.
- Не пользуйтесь бассейном во время обработки воды химическими средствами.
- Источник питания на стене здания должен быть расположен на расстоянии более 4 м от бассейна и на высоте не менее 1,2 м.
- Запрещается пользоваться удлинителями.
- Не подсоединяйте и не отсоединяйте устройство от сети питания влажными руками.
- Обязательно отсоединяйте устройство от сети питания:
  - в дождливые дни;
  - перед чисткой или другим обслуживанием;
  - когда оставляете его без присмотра на выходные.
- Чистка и пользовательское обслуживание должны выполняться взрослыми старше 18 лет, осведомленными об опасности поражения электрическим током.
- Если изделие не будет использоваться в течение долгого времени, например, зимой, разберите его и храните в закрытом помещении.
- **Внимание!** Прочитайте инструкции перед использованием изделия, а также перед каждой установкой или сборкой.
- Храните эту инструкцию в надежном месте. В случае утери инструкции обратитесь к производителю или найдите ее на веб-сайте [www.bestwaycorp.com](http://www.bestwaycorp.com)

- **Внимание! В целях электрической безопасности шнур питания оборудован защитным устройством по дифференциальному току (PRCD). Если ток утечки составит более 10 мА, произойдет автоматическое прекращение подачи тока к изделию. В этом случае немедленно отсоедините бассейн от сети питания и прекратите им пользоваться. Не пытайтесь самостоятельно снова включить изделие. Свяжитесь с местным центром обслуживания для проверки и ремонта изделия.**
- Данное изделие может использоваться детьми в возрасте 8 лет и старше, а также лицами с ограниченными физическими, сенсорными и умственными возможностями либо лицами без соответствующих навыков и опыта, если они находятся под присмотром или проинструктированы на предмет безопасного использования изделия и осознают связанные с этим опасности. Детям запрещается играть с изделием. Чистку и пользовательское обслуживание запрещено выполнять детям без присмотра. (Для рынка ЕС)  
Данное изделие не предназначено для использования лицами (включая детей) с ограниченными физическими, сенсорными и умственными возможностями, а также лицами без соответствующего опыта и знаний, если они не находятся под присмотром или не проинструктированы о порядке пользования изделием лицом, ответственным за их безопасность. Следует наблюдать за детьми, чтобы они не игрались с изделием. (Для рынков вне ЕС)
- Вода привлекает детей. После каждого использования обязательно устанавливайте на место верхнее покрытие бассейна.
- Не закапывайте шнур питания в землю. Прокладывайте шнур питания так, чтобы свести к минимуму опасность его повреждения газонокосилками, шпалерными ножницами и другим оборудованием.
- Опасность случайного утопления. Особое внимание следует уделить предупреждению доступа детей в бассейн без разрешения. Во избежание несчастных случаев обеспечьте, чтобы дети никогда не могли пользоваться бассейном без присмотра.
- **ОПАСНОСТЬ ПОЛУЧЕНИЯ ТРАВМ.** Ни в коем случае не пользуйтесь бассейном, если впускные или выпускные трубы сломаны или отсутствуют. Ни в коем случае не пытайтесь заменить впускные/выпускные трубы. Обязательно обращайтесь за помощью в ближайший центр послепродажного обслуживания.
- **РИСК ПОРАЖЕНИЯ ЭЛЕКТРИЧЕСКИМ ТОКОМ.** Устанавливайте на расстоянии как минимум 2 м от любых металлических поверхностей.
- **РИСК ПОРАЖЕНИЯ ЭЛЕКТРИЧЕСКИМ ТОКОМ.** Ни в коем случае не пользуйтесь никакими электрическими приборами, когда вы находитесь в бассейне, или когда ваше тело мокрое. Ни в коем случае не размещайте никакие электроприборы, например, лампы, телефон, радиоприемник или телевизор на расстоянии до 2 м от бассейна.
- Длительное пребывание в горячей воде во время беременности может нанести непоправимый вред плоду. Ограничьте время пребывания 10 минутами за один раз.
- **ДЛЯ СНИЖЕНИЯ ОПАСНОСТИ ПОЛУЧЕНИЯ ТРАВМ:**
  - A. Температура воды в бассейне никогда не должна превышать 40 °C (104 °F). Температура воды между 38 °C (100 °F) и 40 °C (104 °F) считается безопасной для взрослого здорового человека. При пользовании бассейном более 10 минут и для маленьких детей рекомендуется меньшая температура воды.
  - B. В связи с тем, что горячая вода несет высокую опасность причинения непоправимого вреда плоду в первые месяцы беременности, беременные или возможно беременные женщины должны ограничить температуру воды в бассейне до 38 °C (100 °F).
  - C. Перед тем как зайти в бассейн, пользователь должен измерить температуру воды точным термометром, поскольку устройство регулировки температуры воды в бассейне имеет свои допуски измерений.
  - D. Прием алкоголя, наркотиков или медикаментов до или во время пользования бассейном может привести к потере сознания и, как следствие, к возможности утопления.
  - E. Лица с избыточным весом, страдающие сердечными заболеваниями, с низким или высоким кровяным давлением, проблемами с системой циркуляции крови или диабетом должны проконсультироваться у врача перед тем, как начать пользоваться бассейном.
  - F. Лица, принимающие медикаменты, должны проконсультироваться у врача перед тем, как начать пользоваться бассейном, поскольку некоторые медикаменты могут вызывать сонливость, в то время как другие могут влиять на частоту сердцебиения, кровяное давление и циркуляцию крови.
- **ДЛЯ СНИЖЕНИЯ ОПАСНОСТИ ПОЛУЧЕНИЯ ТРАВМ:** Ни в коем случае не наливайте воду температурой выше 40 °C (104 °F) непосредственно в спа-бассейн.
- Прием алкоголя, наркотиков или медикаментов может существенно повысить опасность фатальной гипертермии. Гипертермия имеет место, когда внутренняя температура тела превышает на несколько градусов нормальную температуру тела в 37 °C (98,6 °F). Симптомы гипертермии включают в себя повышение внутренней температуры тела, головокружение, заторможенность, сонливость и потерю сознания. Результатом гипертермии является неспособность ощущать избыточное тепло; неспособность осознать необходимость покинуть бассейн или гидромассажную ванну; неосознавание надвигающейся опасности; повреждение плода у беременных женщин; физическая неспособность покинуть бассейн или гидромассажную ванну и потеря сознания, влекущая опасность утопления.

- Электрические подключения должны соответствовать национальным нормам ведения электромонтажных работ. Если у вас имеются вопросы, обратитесь к квалифицированному мастеру-электрику.

### **ОБРАТИТЕСЬ ЗА КОНСУЛЬТАЦИЕЙ К СВОЕМУ ВРАЧУ. ОСТОРОЖНО!**

- Нельзя выполнять установку температуры воды в бассейне или оставлять его с температурой воды ниже 4 °C (40 °F).
- Не пользуйтесь бассейном в одиночку.
- Лица с инфекционными заболеваниями не должны пользоваться бассейном.
- Не пользуйтесь бассейном сразу после интенсивной физической нагрузки.
- Всегда заходите в бассейн медленно и осторожно. Мокрые поверхности скользкие.
- Во избежание поломки насоса бассейн нельзя включать, пока он не заполнен водой.
- Немедленно покиньте бассейн, если почувствуете дискомфорт или сонливость.
- Никогда не заливайте воду в химические средства. Всегда добавляйте химические средства в воду, чтобы избежать интенсивного парообразования или активных реакций, которые могут привести к опасному разбрызгиванию химических средств.
- Информацию по чистке, уходу за водой и сливу воды см. в разделе «ОБСЛУЖИВАНИЕ».
- Информацию по установке см. в нижеследующем параграфе руководства пользователя.

#### **ПРИМЕЧАНИЕ.**

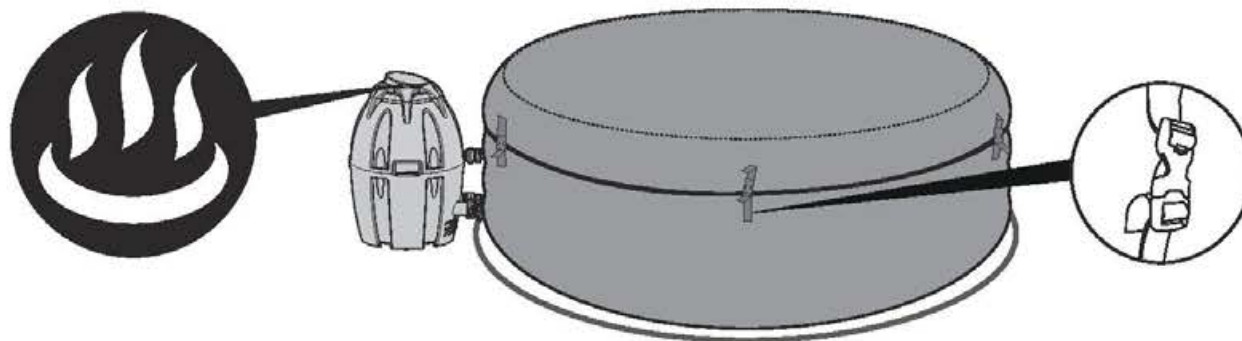
- Осмотрите оборудование перед использованием. При обнаружении поврежденных или отсутствующих компонентов во время приобретения сообщите об этом в компанию Bestway по адресу сервисной службы, указанному в настоящем руководстве. Проверьте, чтобы компоненты оборудования соответствовали моделям, которые вы собирались приобрести.
- Данное изделие не предназначено для коммерческого использования.

### **СОХРАНИТЕ ЭТИ ИНСТРУКЦИИ.**

#### **ВАЖНО!**

Время нагревания, необходимое для достижения температуры 40 °C (104 °F), зависит от изначальной температуры воды и от температуры окружающей среды; приведенные ниже данные даны только для справки. Чтобы отобразилась температура воды в данный момент, включите фильтрующую систему минимум на одну минуту.

Температура окружающей среды	Температура воды	Желаемая температура	Время нагревания
10°C(50°F)	10°C(50°F)	40°C(104°F)	18,5 часов
15°C(59°F)	15°C(59°F)	40°C(104°F)	15 часов
20°C(68°F)	20°C(68°F)	40°C(104°F)	11,5 часов
25°C(77°F)	25°C(77°F)	40°C(104°F)	8,5 часов
30°C(86°F)	30°C(86°F)	40°C(104°F)	5,5 часов

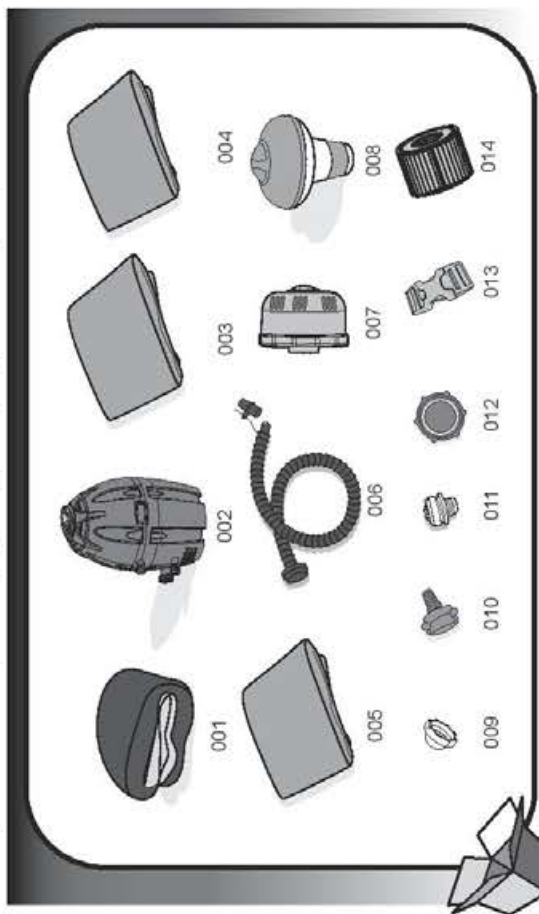


Убедитесь в том, что бассейн накрыт верхним покрытием, когда работает нагреватель. Если бассейн не накрыт верхним покрытием, для нагревания воды потребуется больше времени. Не используйте бассейн, если температура окружающей среды ниже 4 °C (39 °F).

### ТЕХНИЧЕСКИЕ ХАРАКТЕРИСТИКИ МОДЕЛИ LAY-Z-SPA™ VEGAS AirJet (№ 54112)

Вместимость:	4-6 взрослых	Массажный турбодвигатель:	800 Вт	Повышенная скорость нагрева:	1,5-2 °С/час (3-4 °F/час)
Объем бассейна (80%)	936 л (247 галлонов)	Нагревательный элемент:	2000Вт при 20 °С	Фактический расход воды:	1325 л/час (350 галлонов/час)
Размер в наддутом состоянии:	1,90 м х 81 см (77 дюймов х 24 дюйма)	Насос:	50Вт, циркуляционный фильтрующий насос	Номинальная мощность:	220-240В перем. тока 2,050Вт при 20 °С
Вес в наполненном состоянии:	566 кг (2130 фунтов)	Максимальная температура:	40°С (104°Ф)	Рабочее давление:	0,8 psi (0,055 бар)

**ПРИМЕЧАНИЕ:** Приведенные выше данные о нагревании основываются на лабораторном тесте, проводившемся при температуре окружающей среды 25 °С (77 °F) и выше.



№ детали	Код детали	Описание	К-ВО
001	54112TASS15	Лайнер бассейна	1
002	P4H054ASS17	Нагреватель бассейна	1
003	P5H284GASS17	Верхнее покрытие из ледеронда	1
004	P5H284TASS17	Покрытие лайнера из ледеронда	1
005	54112GASS15	Надувное покрытие	1
006	P6931	Шланг для накачивания	1
007	P6653	Блок фильтра	1
008	58426S17	Поплавок для химических средств	1
009	P6575	Заглушки	2
010	P6932	Переходник шланга	1
011	F4A024ASS	Винтовой клапан	1
012	P6611	Переходник покрытия «А»	1
013	F6414ASS	Пружина	8
014	58323	Картридж фильтра (VI)	2

### ТЕХНИЧЕСКИЕ ХАРАКТЕРИСТИКИ МОДЕЛИ LAY-Z-SPA™ MONACO AirJet (№ 54113)

Вместимость:	6-8 взрослых	Массажный турбодвигатель:	800 Вт	Повышенная скорость нагрева:	1,0-1,5 °С/час (2-3 °F/час)
Объем бассейна (80%)	1463 л (384 галлона)	Нагревательный элемент:	2000Вт при 20 °С	Фактический расход воды:	1325 л/час (350 галлонов/час)
Размер в наддутом состоянии:	2,01 м х 68 см (79 дюймов х 27 дюймов)	Насос:	50Вт, циркуляционный фильтрующий насос	Номинальная мощность:	220-240В перем. тока 2,050Вт при 20 °С
Вес в наполненном состоянии:	1480 кг (3284 фунта)	Максимальная температура:	40°С (104°Ф)	Рабочее давление:	7 psi - 10 psi (0,48 бар - 0,69 бар)

**ПРИМЕЧАНИЕ:** Приведенные выше данные о нагревании основываются на лабораторном тесте, проводившемся при температуре окружающей среды 25 °С (77 °F) и выше.

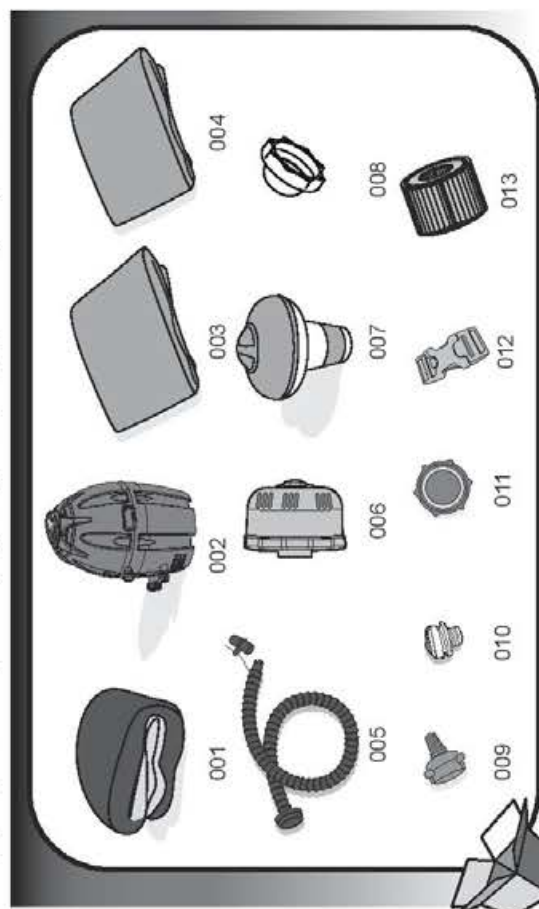


№ детали	Код детали	Описание	К-ВО
001	54113TASS17	Лайнер бассейна	1
002	P4D148ASS17	Нагреватель бассейна	1
003	P5D288ASS17	Верхнее покрытие из ледеронда	1
004	54113GASS17	Надувное покрытие	1
005	P6931	Шланг для накачивания	1
006	P6653	Блок фильтра	1
007	58426S17	Поплавок для химических средств	1
008	P3054Q17	Ручной насос высокого давления	1
009	F6H189ASS15	Гаечный ключ	1
010	P6675	Заглушки	2
011	P6932	Переходник шланга	1
012	P6608	Манометр	1
013	P6611	Переходник покрытия «А»	1
014	12632ASS15	Накачанье подушки	4
015	P6H-971	Клапан для накачивания воздуха	1
016	F6414ASS	Пружина	6
017	58323	Картридж фильтра (VI)	2

### ТЕХНИЧЕСКИЕ ХАРАКТЕРИСТИКИ МОДЕЛИ LAY-Z-SPA™ MIAMI AirJet (№ 54123)

Вместимость:	2-4 взрослых	Массажный турбодвигатель:	800 Вт	Повышенная скорость нагрева:	1,5-2 °С/час (3-4 °F/час)
Объем бассейна (80%)	695 л (177 галлонов)	Нагревательный элемент:	2000Вт при 20 °С	Фактический расход воды:	1325 л/час (350 галлонов/час)
Размер в надутом состоянии	1,8м x 96 см (71 дюйм x 28 дюймов)	Насос:	50Вт, циркуляционный фильтрующий насос	Номинальная мощность:	220-240В перемен. тока, 2000 Вт при 20 °С
Вес в надутом состоянии	636 кг (1534 фунта)	Максимальная температура:	40°С (104°Ф)	Рабочее давление:	0,8 psi (0,055 бар)

**ПРИМЕЧАНИЕ:** Приведенные выше данные о нагревании основываются на лабораторном тесте, проводимемся при температуре окружающей среды 25 °С (77 °F) и выше.

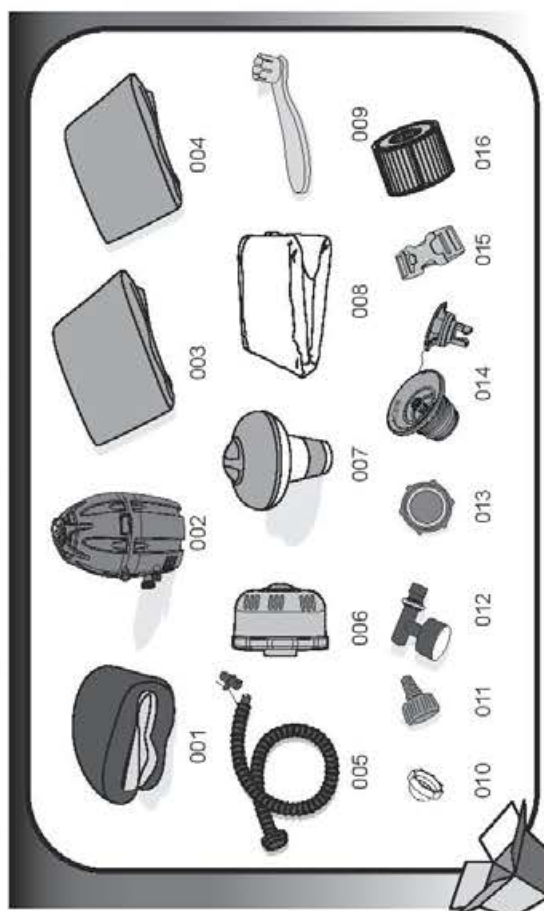


№ детали	Код детали	Описание	К-ВО
001	54123TASS17	Лайнер бассейна	1
002	P4H054ASS17	Нагреватель бассейна	1
003	P5C364ASS17	Верхнее упрочняющее покрытие	1
004	54123GASS17	Надувное покрытие	1
005	P6931	Шланг для накачивания	1
006	P6653	Блок фильтра	1
007	58426S17	Полтавок для химических средств	1
008	P6575	Заглушки	2
009	P6932	Переходник шланга	1
010	F4024ASS	Винтовой клапан	1
011	P6611	Переходник покрытия «А»	1
012	F6414ASS	Пряжка	6
013	58323	Картридж фильтра (VI)	2

### ТЕХНИЧЕСКИЕ ХАРАКТЕРИСТИКИ МОДЕЛИ LAY-Z-SPA™ PALM SPRINGS AirJet (№ 54129)

Вместимость:	4-6 взрослых	Массажный турбодвигатель:	800 Вт	Повышенная скорость нагрева:	1,5-2 °С/час (3-4 °F/час)
Объем бассейна (80%)	916 л (242 галлона)	Нагревательный элемент:	2 000Вт при 20 °С	Фактический расход воды:	1325 л/час (350 галлонов/час)
Размер в надутом состоянии	1,96 м x 71 см (77 дюймов x 28 дюймов)	Насос:	50Вт, циркуляционный фильтрующий насос	Номинальная мощность:	220-240В перемен. тока, 2.000Вт при 20 °С
Вес в надутом состоянии	654 кг (1440 фунта)	Максимальная температура:	40°С (104°Ф)	Рабочее давление:	1,2 psi (0,08 бар)

**ПРИМЕЧАНИЕ:** Приведенные выше данные о нагревании основываются на лабораторном тесте, проводимемся при температуре окружающей среды 25 °С (77 °F) и выше.

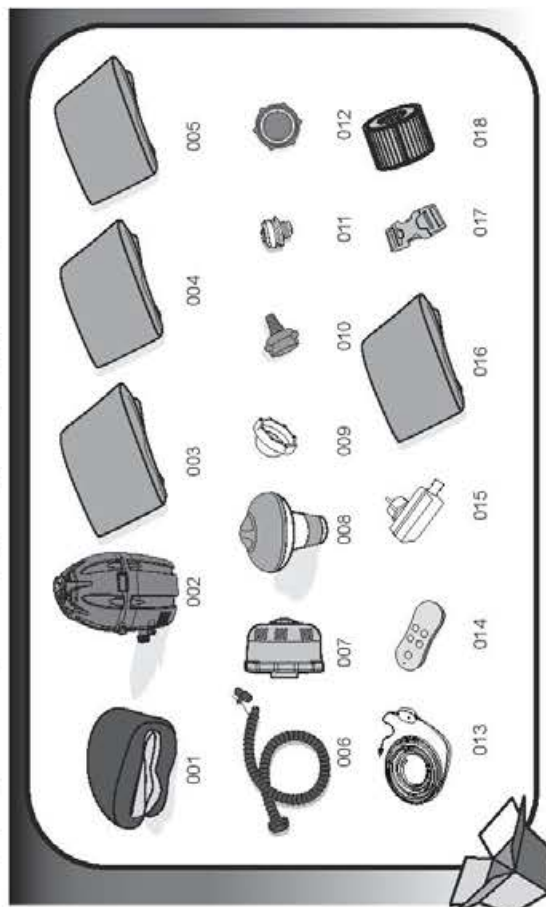


№ детали	Код детали	Описание	К-ВО
001	54129TASS17	Лайнер бассейна	1
002	P4E079ASS17	Нагреватель бассейна	1
003	P5B401ASS17	Верхнее покрытие из ледероида	1
004	54129GASS17	Надувное покрытие	1
005	P6930	Шланг для накачивания	1
006	P6653	Блок фильтра	1
007	58426S17	Полтавок для химических средств	1
008	58321(H)S15	Напольный коврик	1
009	F6H189ASS15	Газечный ключ	1
010	P6575	Заглушки	2
011	P6H565	Переходник шланга	1
012	P6T199	Манометр	1
013	P6611	Переходник покрытия «А»	1
014	P6H971	Клапан для накачивания воздуха	1
015	F6414ASS	Пряжка	6
016	58323	Картридж фильтра (VI)	2

### ТЕХНИЧЕСКИЕ ХАРАКТЕРИСТИКИ МОДЕЛИ LAY-Z-SPA™ PARIS AirJet (№ 54148)

Вместимость:	4-6 взрослых	Массажный турбовентиллятор:	800 Вт	Повышенная скорость нагрева:	1,5-2 °С/час (3-4 °F/час)
Объем бассейна (80%):	806 л (213 галлонов)	Нагревательный элемент:	2000Вт при 20 °С	Фактический расход воды:	1325 л/час (350 галлонов/час)
Размер в надутом состоянии:	1,90м x 86 см (77 дюймов x 26 дюймов)	Насос:	50 Вт; циркуляционный фильтрующий насос	Номинальная мощность:	220-240В перем. тока, 2050 Вт при 20 °С
Вес в надутом состоянии:	840 кг (1851 фунт)	Максимальная температура:	40°С (104°Ф)	Рабочее давление:	0,8 psi (0,055 бар)

**ПРИМЕЧАНИЕ:** Приведенные выше данные о нагревании основываются на лабораторном тесте, проводимемся при температуре окружающей среды 25 °С (77 °F) и выше.

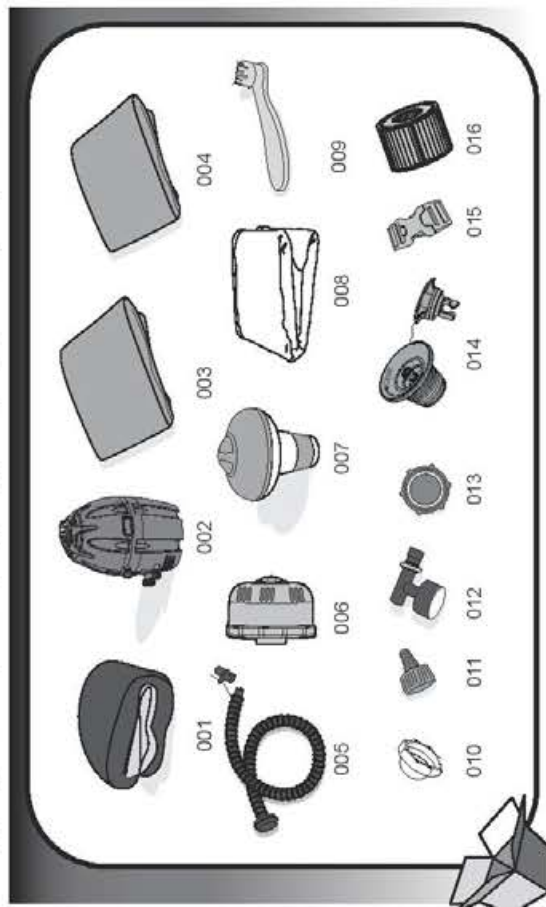


№ детали	Код детали	Описание	К-ВО
001	54148TASS16	Лайнер бассейна	1
002	R4H054AASS17	Нагреватель бассейна	1
003	R5H284CASS17	Верхнее покрытие из ледероида	1
004	R5H513TASS17	Покрытие лайнера из ледероида	1
005	54148CASS16	Надувное покрытие	1
006	R6931	Шланг для накачивания	1
007	R6653	Блок фильтра	1
008	58426S17	Поплавок для химических средств	1
009	R6575	Заглушки	2
010	R6932	Переходник шланга	1
011	F4A024ASS	Винтовой клапан	1
012	R6611	Переходник покрытия «А»	1
013	R61670	Светодиодная лента	1
014	R61232	Пульт дистанционного управления	1
015	R61671	Трансформатор	1
016	58321(H)S15	Напольный коврик	1
017	F6414ASS	Пряжка	8
018	58323	Картридж фильтра (VI)	2

### ТЕХНИЧЕСКИЕ ХАРАКТЕРИСТИКИ МОДЕЛИ LAY-Z-SPA™ Hawaii AirJet (№ 54154)

Вместимость:	4-6 взрослых	Массажный турбовентиллятор:	800 Вт	Повышенная скорость нагрева:	Приблизительно 1,5-2 °С/час (3-4 °F/час)
Объем бассейна (80%):	840 л (222 галлона)	Нагревательный элемент:	2000 Вт при 20 °С	Фактический расход воды:	1325 л/час (350 галлонов/час)
Размер в надутом состоянии:	1,80м x 1,80м x 71 см (71 дюйм x 71 дюйм x 28 дюймов)	Насос:	50 Вт; циркуляционный фильтрующий насос	Номинальная мощность:	220-240В перем. тока, 2,050Вт при 20 °С
Вес в надутом состоянии:	879 кг (1938 фунтов)	Максимальная температура:	40 °С (104 °F)	Рабочее давление:	1,2 psi (0,08 бар)

**ПРИМЕЧАНИЕ:** Приведенные выше данные о нагревании основываются на лабораторном тесте, проводимемся при температуре окружающей среды 25 °С (77 °F) и выше.

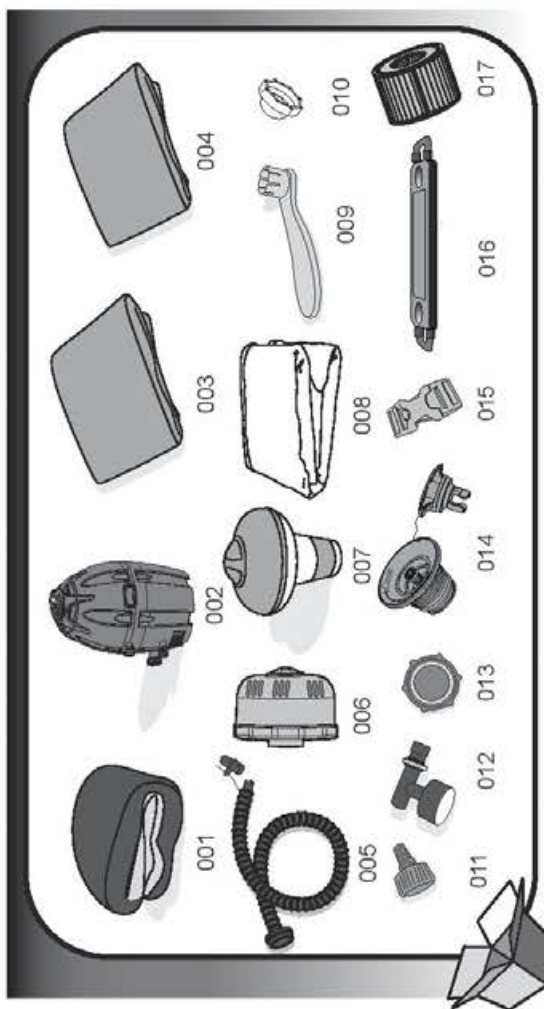


№ детали	Код детали	Описание	К-ВО
001	54154TASS17	Лайнер бассейна	1
002	R4D148AASS17	Нагреватель бассейна	1
003	R5D588GASS17	Верхнее покрытие из ледероида	1
004	54138GASS17	Надувное покрытие	1
005	R6930	Шланг для накачивания	1
006	R6653	Блок фильтра	1
007	58426S17	Поплавок для химических средств	1
008	58371(H)S15	Напольный коврик	1
009	F6H189AASS15	Гаечный ключ	1
010	R6575	Заглушки	2
011	R6H565	Переходник шланга	1
012	R61199	Манометр	1
013	R6611	Переходник покрытия «А»	1
014	R6H971	Клапан для накачивания воздуха	1
015	F6414ASS	Пряжка	8
016	58323	Картридж фильтра (VI)	2

## ТЕХНИЧЕСКИЕ ХАРАКТЕРИСТИКИ МОДЕЛИ LAY-Z-SPA™ Siena AirJet (№ 54156)

Вместимость:	2 взрослых	Массажный турбоинжектор:	800 Вт	Повышенная скорость нагрева:	Приблизительно 2,25 °C/час (3,5-4,5 °F/час)
Объем бассейна (80%):	509 л (13,4 галлона)	Нагревательный элемент:	2000Вт при 20 °C	Фактический расход воды:	1325 л/час (350 галлонов/час)
Размер в надутом состоянии:	2,49 м x 1,49 м x 66 см (81 дюйм x 59 дюйм x 26 дюйм)	Насос:	50 Вт, циркуляционный фильтрующий насос	Номинальная мощность:	220-240 В перем. тока, 2050 Вт при 20 °C
Вес в надутом состоянии:	548 кг (1205 фунтов)	Максимальная температура:	40°C (104°F)	Рабочее давление:	1,2 psi (0,08 бар)

**ПРИМЕЧАНИЕ:** Приведенные выше данные о нагревании основываются на лабораторном тесте, проводимемся при температуре окружающей среды 25 °C (77 °F) и выше.



№ детали	Код детали	Описание	К-ВО
001	54156TASS17	Лайнер бассейна	1
002	P4H054ASS17	Нагреватель бассейна	1
003	P5694ASS17	Верхнее покрытие из педеройда	1
004	54156GASS17	Надувное покрытие	1
005	P6930	Шланг для накачивания	1
006	P6653	Блок фильтра	1
007	58426S17	Поплавок для химических средств	1
008	P5696	Напольный коврик	1
009	F6H189ASS15	Гаечный ключ	1
010	P6675	Заглушки	2
011	P6H565	Переходник шланга	1
012	P61199	Манометр	1
013	P6611	Переходник покрытия «А»	1
014	P6H971	Клапан для накачивания воздуха	1
015	F6414ASS	Пряжка	8
016	P5595	Столик для напитков	1
017	58323	Картридж фильтра (VI)	2

## УСТАНОВКА

### Выбор участка

**ВНИМАНИЕ!** Выбранное место должно выдерживать ожидаемую нагрузку.

**ВНИМАНИЕ!** Должна быть предусмотрена соответствующая водосточная система для отвода переливающейся воды, как при установке бассейна внутри помещения, так и снаружи.

**ВАЖНО!** Из-за значительного суммарного веса бассейна Lay-Z-Spa, воды и пользователей чрезвычайно важно, чтобы площадка для установки бассейна была гладкой, плоской и ровной, способной равномерно выдерживать вес наполненного водой бассейна, а также вес пользователей в течение всего времени установки бассейна (не на ковре или подобном материале). В случае размещения бассейна Lay-Z-Spa на поверхности, не отвечающей этим требованиям, любой ущерб, вызванный несоответствующей опорной поверхностью, не покрывается гарантией производителя. В обязанности владельца бассейна Lay-Z-Spa входит обеспечение надлежащего состояния участка установки на все время пользования бассейном.

### 1. Установка внутри помещения:

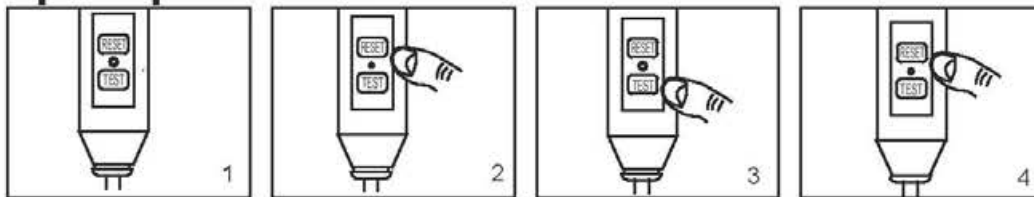
При установке бассейна внутри помещения соблюдайте специальные требования.

- Влажность является естественным побочным эффектом установки бассейна Lay-Z-Spa. Определите влияние влажности воздуха на деревянные предметы, бумагу и т. п. в выбранном для установки месте. Для минимизации такого влияния лучше всего обеспечить достаточную вентиляцию в этом месте. Определить, нужна ли более мощная вентиляция, может помочь архитектор.

### 2. Установка вне помещения:

- Во время наполнения, слива и в процессе использования из бассейна может выливаться вода. Поэтому бассейн Lay-Z-Spa нужно устанавливать рядом со сливом в полу.
- Поверхность бассейна не должна подвергаться длительному воздействию прямого солнечного света.

## Проверка PRCD



**ПРИМЕЧАНИЕ.** Схемы предназначены исключительно для иллюстрации. Они могут не отображать конкретное изделие. Схемы не отображают действительный масштаб.

1. Вставьте штепсельную вилку.
2. Нажмите кнопку «RESET» (СБРОС); индикатор загорится.
3. Нажмите кнопку «TEST» (ПРОВЕРКА); индикатор погаснет.
4. Нажмите кнопку «RESET» (СБРОС); индикатор загорится.
5. Нажмите кнопку включения/выключения на 2 секунды; теперь насос готов к использованию.

**ВНИМАНИЕ!** Штепсельная вилка PRCD должна проверяться перед каждым использованием, чтобы избежать опасности поражения электрическим током.

**ВНИМАНИЕ!** Перед тем как вставить штепсельную вилку в розетку сети питания, убедитесь в том, что параметры тока в сети подходят для насоса.

**ВНИМАНИЕ!** Не пользуйтесь насосом, если результат проверки отрицательный, и обратитесь по этому поводу в пункт послепродажного обслуживания нашей компании.



**ПРИМЕЧАНИЕ.** При надувании вы заметите, что воздух вытесняется из области соединения воздушного шланга с насосом, это нормально и соответствует техническим характеристикам.

**ПРИМЕЧАНИЕ.** Запрещается использовать для надувания бассейна воздушный компрессор.

**ПРИМЕЧАНИЕ.** Не волочите бассейн по неровному грунту, это может привести к повреждению лайнера бассейна.

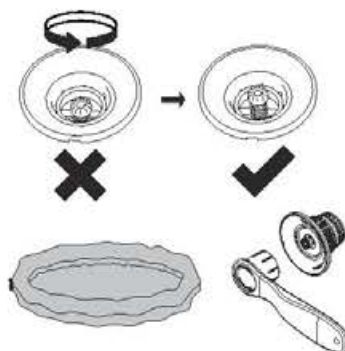
**ПРИМЕЧАНИЕ.** Время надувания дано ориентировочно.

**ПРИМЕЧАНИЕ.** Манометр предназначен только для целей надувания, а его показания служат только для справки; его нельзя использовать как прецизионный инструмент.



**Проверка воздушного клапана (для бассейна с клапаном быстрого накачивания/выпуска воздуха)** Всегда тщательно проверяйте воздушный клапан перед надуванием, чтобы убедиться в отсутствии утечки воздуха. Если воздушный клапан затянут неплотно, используйте входящий в комплект гаечный ключ, чтобы затянуть воздушный клапан. Следуйте следующим инструкциям:

Одной рукой удерживайте заднюю часть воздушного клапана изнутри стенки бассейна и поворачивайте гаечный ключ по часовой стрелке.

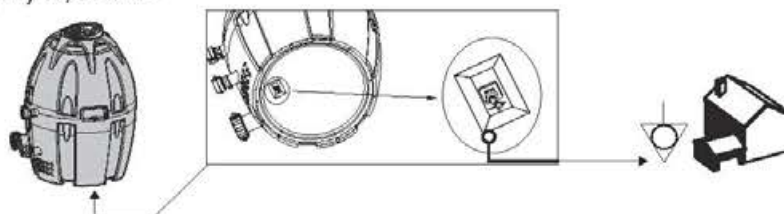


**ПРИМЕЧАНИЕ.**

1. Не затягивайте слишком сильно.
2. Не следует регулировать соединитель воздушного клапана во время пользования бассейном.

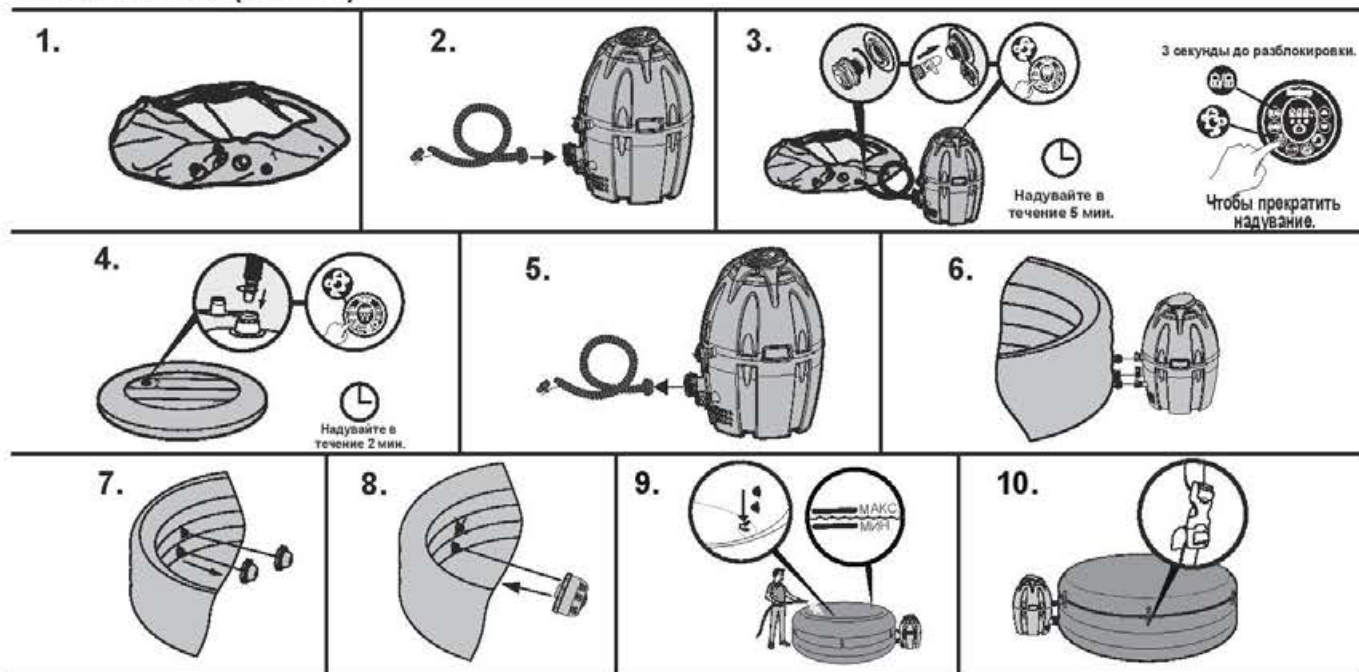
## ЭКВИПОТЕНЦИАЛЬНАЯ КЛЕММНАЯ КОЛОДКА НАСОСА БАССЕЙНА

Рекомендуется поручить подсоединение насоса для бассейна к заземляющему терминалу опытному электрику. Необходимо использовать прочный медный проводник диаметром (минимум) 2,5 мм<sup>2</sup>.

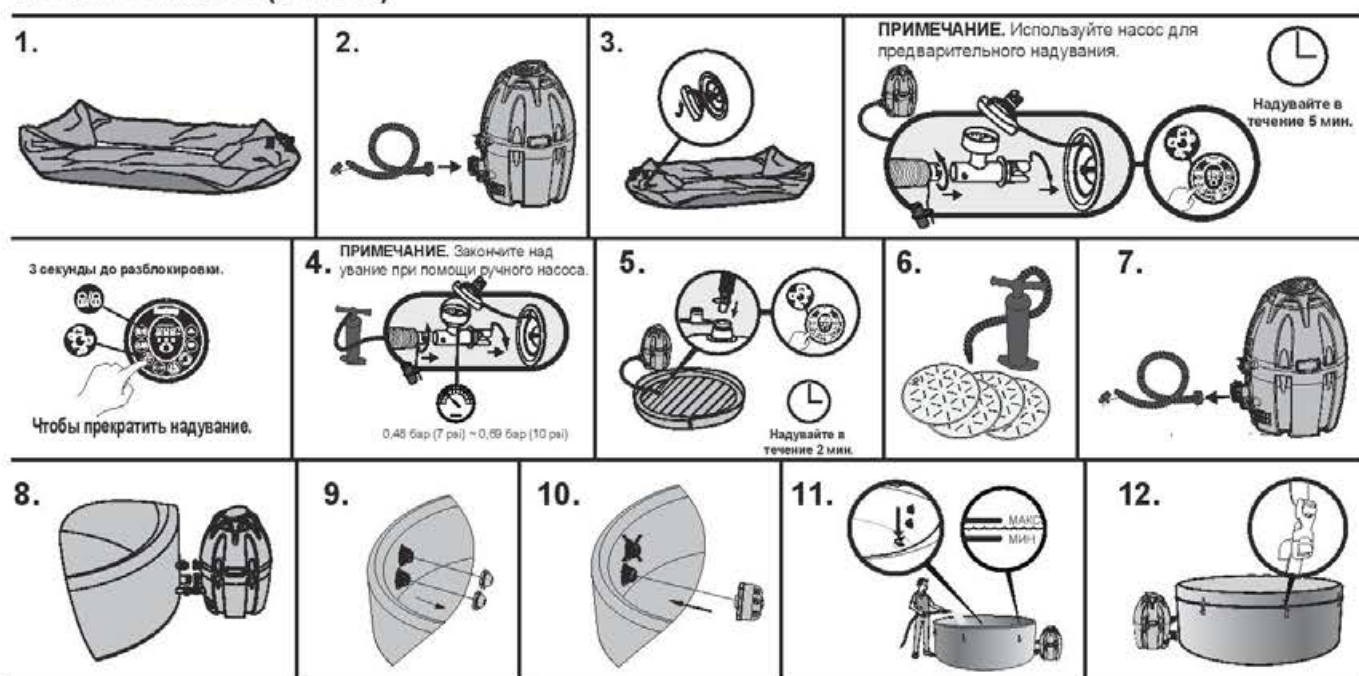




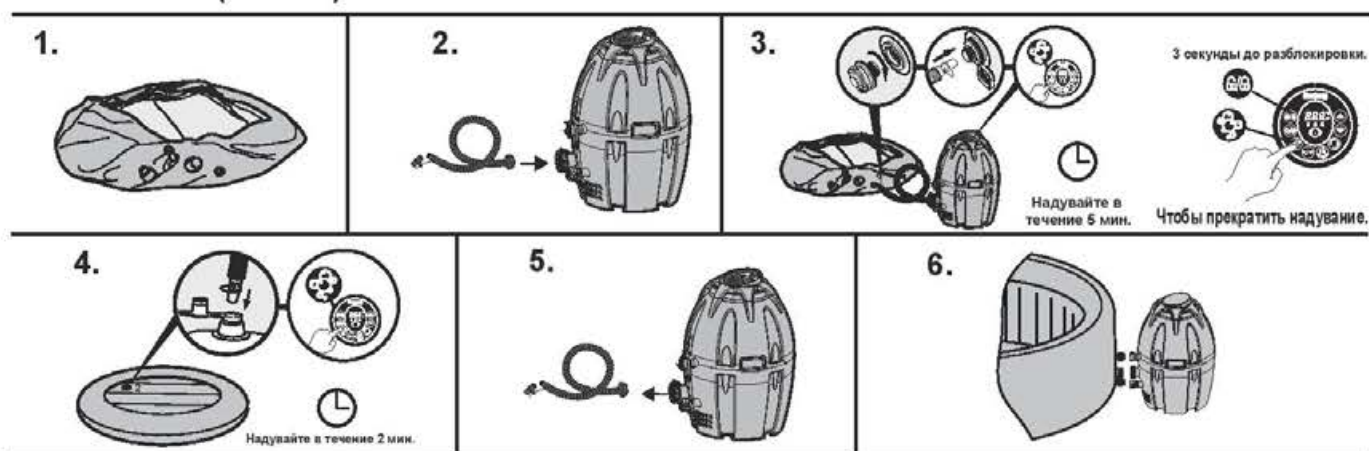
## VEGAS AirJet (#54112)

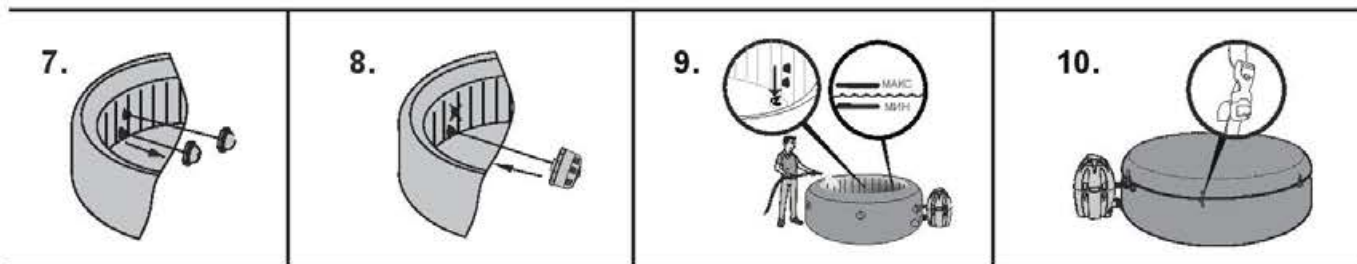


## MONACO AirJet (#54113)

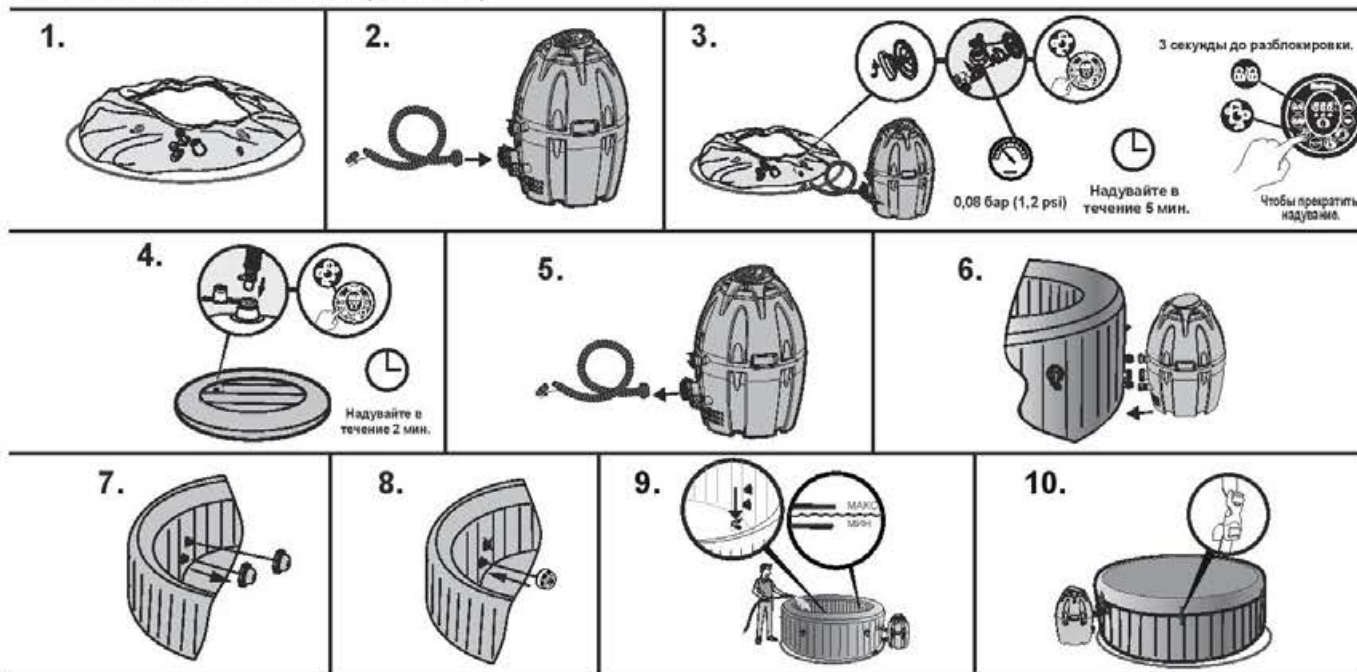


## MIAMI AirJet (#54123)

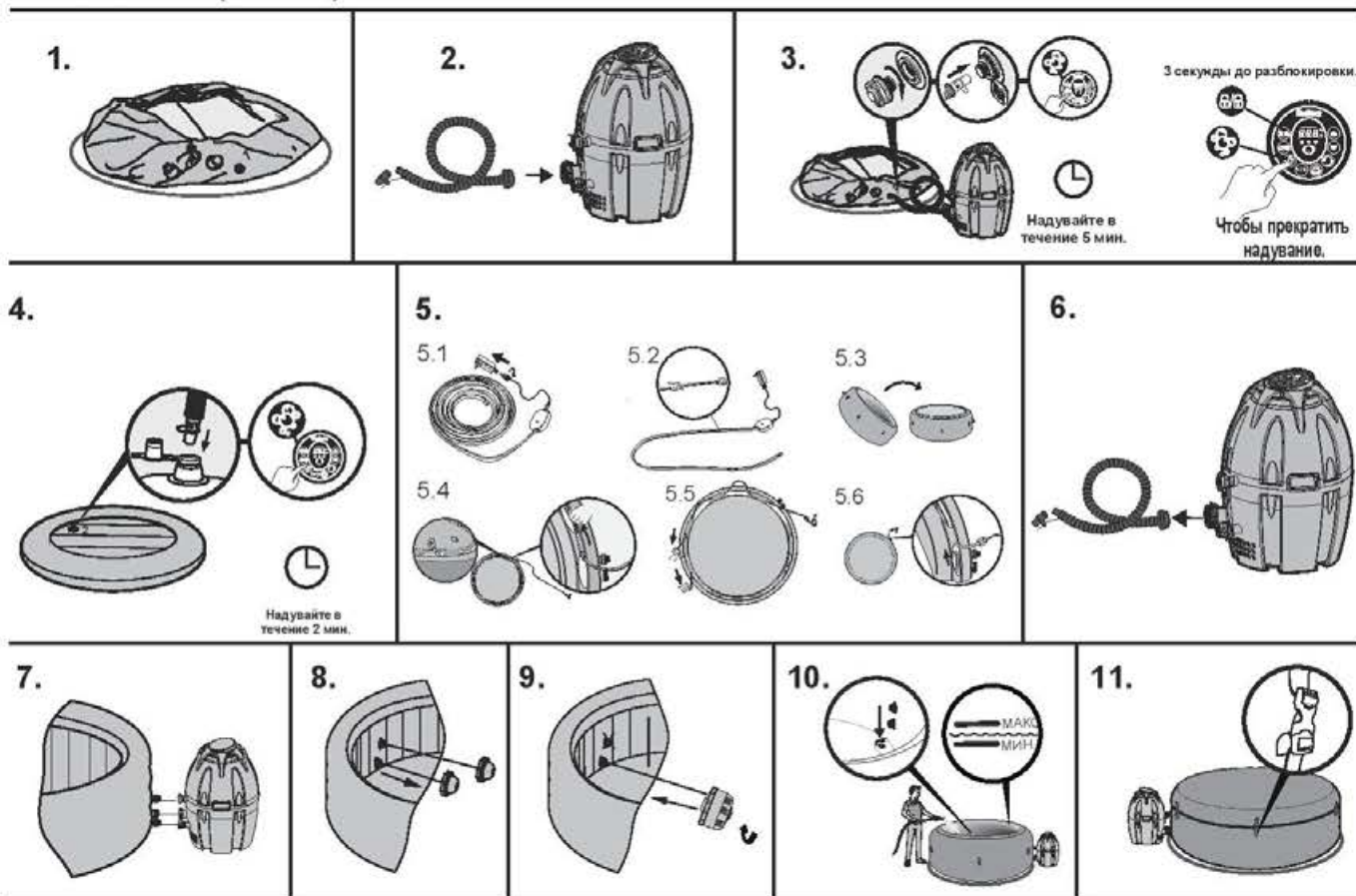




### PALM SPRINGS AirJet (#54129)



### PARIS AirJet (#54148)



## HAWAII AirJet (#54154)

<p>1.</p>	<p>2.</p>	<p>3.</p>	
<p>3 секунды до разблокировки.</p> <p>Чтобы прекратить надувание.</p>	<p>4.</p> <p>Надувайте в течение 2 мин.</p>	<p>5.</p>	<p>6.</p>
<p>7.</p>	<p>8.</p>	<p>9.</p> <p>МАКС МИН.</p>	<p>10.</p>

## SIENA AirJet (#54156)

<p>1.</p>	<p>2.</p>	<p>3.</p>	
<p>3 секунды до разблокировки.</p> <p>Чтобы прекратить надувание.</p>	<p>4.</p> <p>Надувайте в течение 2 мин.</p>	<p>5.</p>	<p>6.</p>
<p>7.</p>	<p>8.</p>	<p>9.</p> <p>МАКС МИН.</p>	
<p>10.</p>	<p>11.</p>		

## РАБОТА НАСОСА

### Сброс настроек нагревателя

При использовании бассейна Lay-Z-Spa впервые или после того, как он не использовался в течение долгого периода, нажмите кнопку сброса настроек на насосе при помощи маленького тонкого предмета.

### КНОПКА СБРОСА

**ВАЖНЫЕ ИНСТРУКЦИИ ПО ИСПОЛЬЗОВАНИЮ**  
Если значение температуры на панели управления (или температура воды) не изменились, по прошествии 4-5 часов после включения системы подогрева, нажмите КНОПКУ СБРОСА с помощью тонкого предмета и **перезапустите систему подогрева.**

**ВАЖНО!** Система подогрева не будет работать, если температура наружного воздуха выше 40°C (104°F), или если Lay-Z-Spa находится под прямыми солнечными лучами. В этом случае, прежде чем нажимать тонким предметом КНОПКУ СБРОСА и перезапускать систему подогрева, дождитесь снижения температуры наружного воздуха.



### A Кнопка блокировки/разблокировки



Насос оснащен функцией автоматической блокировки через 5 минут. Когда включена блокировка насоса, свет индикатора потускнеет (не активирована ни одна функция). Чтобы заблокировать или разблокировать насос, нажмите кнопку блокировки/разблокировки и удерживайте в течение 3 секунд.

### B Кнопка энергосберегающего таймера



Это новая функция, предназначенная для экономии электроэнергии за счет установки времени начала и продолжительности цикла нагрева воды в бассейне. Таким образом, вы можете воспользоваться бассейном в нужное вам время без необходимости держать нагреватель постоянно включенным.

#### ДЕЙСТВИЕ 1. Установите продолжительность нагрева

- Нажмите кнопку пока не начнет мигать индикатор .
- Нажмите кнопку или для установки продолжительности нагрева (от 1 до 48 часов).
- Снова нажмите кнопку для подтверждения продолжительности нагрева.

#### ДЕЙСТВИЕ 2. Установите количество часов ОТ НАСТОЯЩЕГО МОМЕНТА, когда начнет работать нагреватель

- После установки продолжительности нагрева индикатор начнет мигать.
- Нажмите кнопку или для установки количества часов до начала работы (от 0 до 99 часов).
- Снова нажмите кнопку или просто ничего не трогайте 10 секунд, чтобы подтвердить установку. Индикатор начнет гореть ровным светом, и начнется обратный отсчет до включения нагревателя.

**Для изменения настроек таймера:** Нажмите кнопку и выполните установку кнопкой или .

**Отмена установки:** Нажмите кнопку на 2 секунды.

**ПРИМЕЧАНИЕ.** После настройки экран будет показывать попеременно температуру воды в данный момент и время.

**ПРИМЕЧАНИЕ.** Таймер настраивается (время работы с включенным нагревателем) в диапазоне от 1 до 48 часов. Отсрочка включения (количество часов ОТ НАСТОЯЩЕГО МОМЕНТА до включения нагревателя) настраивается в диапазоне от 0 до 99 часов. Если таймер установлен на 0 часов, система подогрева включится немедленно. Обратите внимание, что таймер устанавливается на однократное использование; установка длительности цикла подогрева воды и количество часов от настоящего времени до начала этого цикла. Таймер НЕ повторит отсчет времени до сброса.

### C кнопку массажной системы Lay-Z-Massage.



Используйте эту кнопку для включения массажной системы, которая автоматически отключается через 30 минут использования. Индикатор над кнопкой массажной системы Lay-Z-Massage горит красным светом, когда система включена.

**ВАЖНО!** Не включайте массажную систему Lay-Z-Massage, когда бассейн накрыт защитным покрытием. Воздух может собраться внутри бассейна и причинить непоправимый ущерб бассейну, а также здоровью пользователей.

**ПРИМЕЧАНИЕ.** Системы подогрева и массажа работают вместе для создания ощущения теплого массажа.



### D Переключатель Цельсий/Фаренгейт



Температура может отображаться в градусах Цельсия или Фаренгейта.

### E Кнопка нагревателя



Используйте эту кнопку для включения нагревательной системы. Когда индикатор над кнопкой нагревателя горит красным светом, нагревательная система включена. Когда индикатор над кнопкой нагревателя горит зеленым светом, вода нагрета до указанной температуры и нагревательная система находится в режиме ожидания.

**ПРИМЕЧАНИЕ.** Если нагревательная система включена, фильтрующая система включается автоматически.

**ПРИМЕЧАНИЕ.** При включении нагревательной системы фильтрующая система продолжает работу.

### F Кнопка фильтра воды



Эта кнопка включает и выключает фильтрующий насос. Индикатор над кнопкой фильтра воды горит красным светом, когда насос включен.

### G Кнопки регулирования температуры



При нажатии «Повысить температуру» или «Понижить температуру» индикатор будет мигать. Когда индикатор мигает, выберите нужную вам температуру. Если вы нажмете и удержите эти кнопки, значение температуры быстро повысится или понизится. Новые настройки температуры останутся на дисплее LCD в течение 3 секунд, что позволит подтвердить новое значение.

**ПРИМЕЧАНИЕ.** Температура, настроенная по умолчанию, равна 35°C (95°F).

**ПРИМЕЧАНИЕ.** Температура настраивается в диапазоне от 20°C (68°F) до 40°C (104°F).

### H Кнопка включения/выключения



Чтобы активировать панель управления, нажмите эту кнопку и не отпускайте в течение 2 секунд; индикатор начнет гореть зеленым светом. Нажмите эту кнопку и удерживайте в течение 2 секунд, чтобы выключить все автоматические функции.

### I Индикатор энергосберегающего таймера



Мигание этого индикатора означает, что вы устанавливаете продолжительность подогрева. Индикатор будет гореть ровно, когда начнется процесс подогрева.



Мигание этого индикатора означает, что вы устанавливаете количество часов ОТ НАСТОЯЩЕГО МОМЕНТА до включения нагревателя. Если индикатор горит ровно, это означает, что энергосберегающий таймер включен.

### J Дисплей LCD



Включенный дисплей LCD автоматически отображает температуру воды в данный момент.



Через 72 часа фильтрации (без использования функции энергосберегающего таймера) насос войдет в режим ожидания, на экране будет попеременно отображаться слово «End» (Конец) и температура воды в данный момент. Когда насос находится в режиме ожидания, функции нагрева и фильтрации воды отключаются. Чтобы разблокировать насос, нажмите кнопку блокировки/разблокировки и удерживайте в течение 3 секунд.

**ПРИМЕЧАНИЕ.** Скорость нагрева воды может измениться при следующих условиях:

• Когда температура окружающей среды ниже 15°C (59°F).

• Когда бассейн не накрыт защитным покрытием при работающей нагревательной системе.

**ПРИМЕЧАНИЕ.** Чтобы отобразилась температура воды в данный момент, включите фильтрующую систему минимум на одну минуту. Температура воды, определенная внешним термометром, может отличаться от температуры воды на дисплее бассейна примерно на 2°C.

## Аварийные сигналы

Состояния	Причины	Способы устранения
	Датчики расхода воды работают без нажатия кнопки фильтрации или подогрева. 1. Флажки датчиков расхода воды не вернулись в правильное положение. 2. Датчики подачи воды сломаны.	1. Осторожно извлеките штепсельную вилку из розетки, ударьте по насосу, но не сильно, и снова вставьте вилку в розетку. 2. Обратитесь за помощью в ближайший пункт послепродажного обслуживания Bestway.
	После запуска или в процессе фильтрации и/или подогрева датчики расхода воды не обнаруживают потока воды. 1. Вы забыли снять два колпачка-заглушки внутри бассейна. 2. Карtridge фильтров загрязнены. 3. Запустите систему фильтрации или подогрева и поставьте руку перед выпускной трубой внутри бассейна, чтобы проверить, вытекает ли вода. a. Если вода не вытекает, это означает, что водный насос сломан. b. Если вода вытекает, но появляется сигнал тревоги , это означает, что сломаны датчики подачи воды.	1. Перед подогревом снимите два колпачка-заглушки; см. раздел «Сборка» в руководстве пользователя. 2. Извлеките фильтрующий блок из бассейна и нажмите кнопку фильтрации или подогрева. При отсутствии сигнала тревоги почистите или замените cartridge фильтра и снова установите на место фильтрующий блок. 3. Обратитесь за помощью в ближайший пункт послепродажного обслуживания Bestway.
	Термометр насоса показывает температуру воды ниже 4°C (40°F). 1. Температура воды ниже 4°C (40°F). 2. Если температура воды выше 7°C (44,6°F), то термометр насоса поврежден.	1. Бассейн не рассчитан на работу при температуре воды ниже 4°C (40°F). Отсоедините насос от сети питания и перезапустите его, когда температура воды достигнет 6°C (43°F). 2. Обратитесь за помощью в ближайший пункт послепродажного обслуживания Bestway.
	Термометр насоса показывает температуру воды выше 50°C (122°F). 1. Температура воды выше 50°C (122°F). 2. Если температура воды ниже 45°C (113°F), то термометр насоса поврежден.	1. Бассейн не рассчитан на работу при температуре воды выше 40°C (104°F). Отсоедините насос от сети питания и перезапустите его, когда температура воды будет 38°C (100°F) или ниже. <b>ВАЖНО!</b> Перед перезапуском насоса нажмите кнопку сброса насоса. 2. Обратитесь за помощью в ближайший пункт послепродажного обслуживания Bestway.
	Неполадки соединений термометра насоса. 1. Соединители термометра насоса не функционируют надлежащим образом. 2. Термометр насоса сломан.	Обратитесь за помощью в ближайший пункт послепродажного обслуживания Bestway.
	Неисправность ручного сброса теплового выключателя. Сработал ручной сброс теплового выключателя.	1. Отсоедините насос от сети питания и нажмите его кнопку сброса; затем снова подсоедините насос к сети. 2. Если аварийный сигнал не выключится, обратитесь к разделу «КНОПКА СБРОСА» в руководстве пользователя. 3. Обратитесь за помощью в ближайший пункт послепродажного обслуживания Bestway.

## ОБСЛУЖИВАНИЕ

**ПРИМЕЧАНИЕ.** Время от времени в бассейн потребуется накачивать дополнительный воздух. Перепады дневных и ночных температур приводят к изменению давления воздуха внутри бассейна и могут вызвать его существенное сдувание. Следуйте инструкциям по сборке и слейте воду из бассейна, прежде чем надувать его до нужного давления.

**ОСТОРОЖНО! ПРЕЖДЕ ЧЕМ ПРИСТУПАТЬ К ОБСЛУЖИВАНИЮ, ВЫ ДОЛЖНЫ УБЕДИТЬСЯ В ТОМ, ЧТО НАСОС ОТСОЕДИНЕН ОТ СЕТИ ПИТАНИЯ. В ПРОТИВНОМ СЛУЧАЕ ИМЕЕТСЯ ОПАСНОСТЬ ПОЛУЧЕНИЯ СЕРЬЕЗНЫХ ТРАВМ ИЛИ СМЕРТЕЛЬНОГО ИСХОДА.**

Обслуживание картриджа фильтра

**ПРИМЕЧАНИЕ.** Чтобы вода бассейна всегда оставалась чистой, проверяйте и очищайте картриджи фильтров каждый день, следуя инструкциям, приведенным ниже.

**ПРИМЕЧАНИЕ.** Мы рекомендуем менять картриджи фильтра каждую неделю или тогда, когда вы видите, что картридж загрязнен и вышел.

Уход за водой в бассейне

Необходимо следить за тем, чтобы вода в бассейне была чистой и химически сбалансированной. Недостаточно просто чистить картридж для поддержания воды в идеальном состоянии, мы рекомендуем вам использовать специальные химикаты для бассейнов для того, чтобы сохранить химический баланс воды, а также таблетки хлора или брома (но не гранулы) в плавающем хлораторе. Ориентировочно воду необходимо менять каждые 3 дня. Это ориентировочный срок; качество воды зависит от частоты использования бассейна, от людей, которые им пользуются и от ухода за водой.

**Примечание.** Мы советуем вам принять душ перед тем, как использовать бассейн Lay-Z-Spa, так как косметика, лосьоны и прочие средства, оставшиеся на коже могут быстро ухудшить качество воды. Для более подробной информации о том, как воспользоваться плавающим хлоратором, читайте инструкции ниже.

Используя химические таблетки (не входит в комплект поставки):



Используя химические растворы (не входит в комплект поставки):



**ПРИМЕЧАНИЕ.** Всегда доставайте плавающий хлоратор из бассейна, когда бассейн используется.

**ВАЖНО!** После того, как вы очистили воду с помощью химических средств, и перед использованием бассейна воспользуйтесь тестовым набором (не входит в комплект поставки), чтобы проверить химический состав воды.

Мы советуем вам поддерживать воду в рамках значений, указанных в таблице.

**ПРИМЕЧАНИЕ.** Ущерб, причиненный отклонением от указанного выше химического состава воды, не покрывается гарантией. Химические средства для очистки воды в бассейне потенциально ядовиты, применяйте их с осторожностью. Испарения химических веществ могут представлять собой серьезную опасность для здоровья, как и неправильно подписанные или неправильно хранящиеся контейнеры с химическими веществами. Обратитесь к вашему местному продавцу бассейнов, чтобы получить более подробную информацию касательно обработки воды химическими средствами. Строго выполняйте инструкции производителей химических средств. Ущерб, причиненный неправильным применением химических средств или неправильным уходом за водой бассейна, не покрывается гарантией.

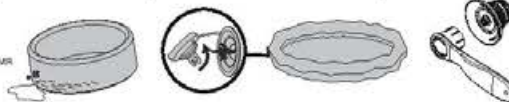
**Настройка воздушного клапана (только для моделей №№ 54113, 54129, 54154, 54156)**

При утечке воздуха сначала проверьте воздушный клапан в мыльную воду, чтобы проверить, нет ли утечки воздуха. Если утечка есть, используйте входящий в комплект гаечный ключ, чтобы закрутить воздушный клапан. Выполните следующие инструкции:

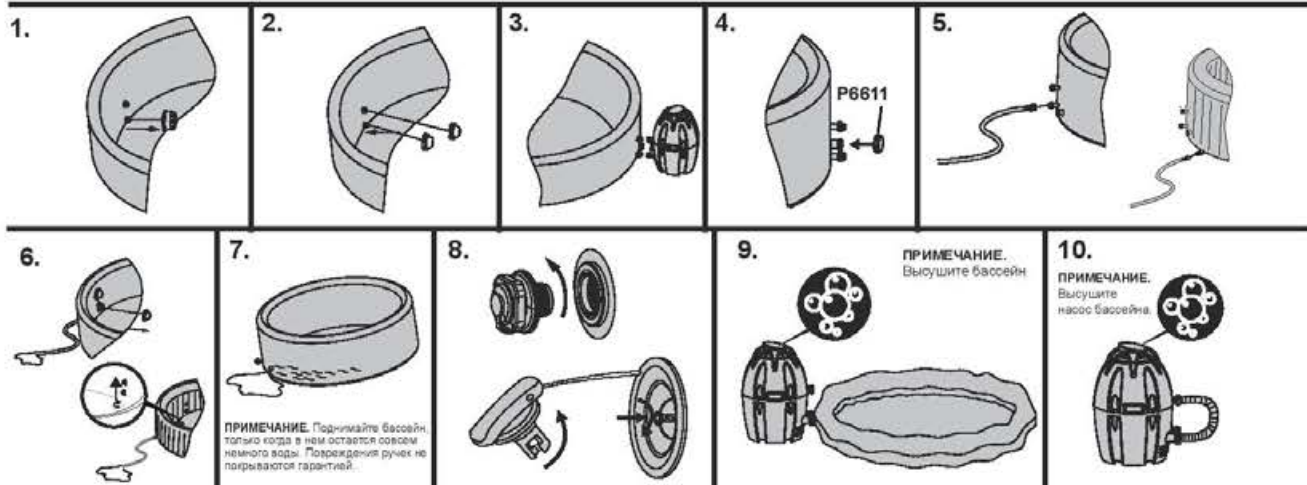
• С одной рукой удерживайте заднюю часть воздушного клапана изнутри стенки бассейна и поворачивайте гаечный ключ по часовой стрелке.

**ПРИМЕЧАНИЕ.**

1. Не затягивайте слишком сильно.
2. Всегда тщательно проверяйте воздушный клапан перед использованием.
3. Не следует регулировать соединитель воздушного клапана во время пользования бассейном.



## Слив воды из бассейна



**Чистка бассейна** Остатки чистящих средств и растворенные части твердых химикатов могут собираться на стенках бассейна. Используйте мыло и воду для того, чтобы очистить стены и тщательно прополощите их.

**ПРИМЕЧАНИЕ.** НЕ используйте жесткие щетки или абразивные чистящие средства.

**Ремонт бассейна**

Для насосов №№ 54112, 54123, 54148 и надувного покрытия.

В случае разрыва или прокола бассейна используйте ремонтную заплату, входящую в комплект.

1. Очистите область, нуждающуюся в ремонте.
2. Аккуратно отделите заплату.
3. Наложите заплату на область, требующую ремонта, и разгладьте.
4. Подождите 30 секунд, затем накачивайте воздух.

Для бассейнов №№ 54113, 54129, 54154, 54156 (без надувного покрытия)

Если бассейн порван или проколот, возьмите входящую в комплект ремонтную заплату из ПВХ и клей (в комплект не входит) и выполните следующие действия.

1. Очистите и просушите участок, нуждающийся в ремонте.
2. Стрижьте заплату из ПВХ нужного размера.
3. Покройте одну сторону вырезанной заплатки клеем (в комплект не входит). Убедитесь в том, что клей распределен равномерно.
4. Через 30 секунд наложите заплату с клеем на поврежденный участок.
5. Разгладьте заплату так, чтобы под ней не оставалось пузырьков воздуха, и крепко прижмите на две минуты.
6. Изделие снова готово к использованию. Если опять возникнет течь, повторите эту процедуру.
7. Подождите 30 минут, затем накачивайте воздух.

## Хранение бассейна Lay-Z-Spa

Убедитесь в том, что бассейн и насос полностью сухие. Это необходимо для того, чтобы продлить срок службы бассейна. Мы советуем использовать насос для того, чтобы высушить бассейн, насос и шланги. Выньте фильтрующие блоки и выбросьте использованные картриджи фильтров. Наденьте колпачки-заглушки на всасывающую и выдувную клапаны. Храните изделие в оригинальной упаковке в теплом сухом месте.

**ПРИМЕЧАНИЕ.** При воздействии температуры ниже нуля пластик становится хрупким и может сломаться. Замерзание может серьезно повредить бассейн. Неправильное зимнее хранение бассейна может аннулировать гарантию.

**Утилизация**



Значение символа перечеркнутой мусорной корзины на колесах: не утилизируйте электроприборы с несоортированными коммунальными отходами, сдавайте их на специальные пункты сбора. За информацией о наличии пунктов сбора отходов обратитесь в местные органы власти. Если утилизировать электроприборы на мусоросборниках или свалках, опасные вещества могут протечь в грунтовые воды и попасть в пищевую цепочку, нанося вред вашему здоровью и благосостоянию. При замене старых электроприборов новыми продавец по закону обязан принять от вас старый электроприбор для утилизации, по меньшей мере, бесплатно.

**УСТРАНЕНИЕ НЕИСПРАВНОСТЕЙ** Bestway делает все, чтобы предоставить вам самые простые в обращении и беспроблемные бассейны на рынке.

Если же вы все-таки столкнулись с проблемой, обязательно обратитесь к Bestway или к официальному дистрибьютору. Ниже вы найдете несколько советов, которые помогут вам обнаружить и исправить самые распространенные неисправности.

Неисправности	Возможные причины	Способы устранения
Насос не работает.	- Нарушение электроснабжения. - Обрыв цепи питания	- Проверьте источник питания. - Обратитесь за помощью в ближайший пункт послепродажного обслуживания Bestway.
Насос не нагревает воду должным образом.	- Температура настроена на слишком низкое значение. - Загрязнен картридж фильтра. - Тепловой выключатель отключает нагревание. - Бассейн не накрыт. - Перегорел нагревательный элемент или сработал предохранитель	- Установите более высокую температуру; см. раздел «Эксплуатация насоса». - Очистите/замените картридж фильтра (см. раздел «Чистка и замена картриджа фильтра») - Выньте штепсельную вилку насоса из розетки и поместите ее в сухое прохладное место. Перезапустите насос только когда температура воды достигнет 35 °C (95 °F) или ниже. - Установите верхнее покрытие. - Обратитесь за помощью в ближайший пункт послепродажного обслуживания Bestway.
Массажная система Lay-Z-Massage не работает.	- Воздушный насос перегревается. - Массажная система Lay-Z-Massage отключается автоматически. - Воздушный насос сломан.	- Отсоедините насос от сети питания и подождите два часа, пока он охладится. Вставьте штепсельную вилку в розетку электросети и нажмите кнопку массажной системы Lay-Z-Massage. - Нажмите кнопку системы Lay-Z-Massage для повторного запуска. - Обратитесь за помощью в ближайший пункт послепродажного обслуживания Bestway.
Переходники насоса не находятся на одном уровне с переходниками бассейна.	- Одной из характеристик ПВХ является изменение формы, что нормально.	- Приподнимите насос с помощью подставок из дерева или из изолированных материалов другого типа, чтобы переходники насоса находились на одном уровне с переходниками бассейна
Бассейн протекает.	- Бассейн порван или проткнут. - Воздушный клапан закручен неплотно.	- Воспользуйтесь ремонтной заплатой, входящей в комплект поставки. - Погрузите воздушный клапан в мыльную воду, чтобы проверить, нет ли утечки воздуха. Если утечка есть, используйте входящий в комплект гаечный ключ, чтобы закрутить воздушный клапан. Выполните следующие инструкции: 1. Сдуйте бассейн. 2. Одной рукой удерживайте заднюю часть воздушного клапана изнутри стенки бассейна и поворачивайте гаечный ключ по часовой стрелке.
Вода загрязнена.	- Недостаточное время фильтрации. - Загрязнен картридж фильтра. - Неправильный уход за водой.	- Увеличьте время фильтрации. - Очистите/замените картридж фильтра (см. раздел «Чистка и замена картриджа фильтра») - См. инструкции производителей химических средств.
Проверка PRCD прошла неудачно.	С бассейном что-то не в порядке.	Обратитесь за помощью в ближайший пункт послепродажного обслуживания Bestway и верните бассейн.
Панель управления не работает.	- Панель управления оснащена функцией автоматической блокировки, которая включается после 5 минут бездействия. На ЖК-дисплее имеется значок  . Если светится значок блокировки, панель управления заблокирована. - Панель управления не включена.	- Чтобы разблокировать панель управления, нажмите и удерживайте в течение 3 секунд кнопку  . Если панель управления не разблокируется, перезапустите насос – отключите и снова подключите насос к сети. - Нажмите кнопку включения/выключения на 2 секунды. Если проблему устранить не удалось, обратитесь для получения инструкций в местный центр послепродажного обслуживания Bestway.
Какие химикаты следует использовать для обработки воды?	Обратитесь к вашему местному продавцу химикатов, чтобы получить информацию об обработке воды. Строго выполняйте инструкции производителя химикатов.	
Вода протекает из переходников между насосом и бассейном.	Вставьте колпачки-заглушки в отверстия бассейна, чтобы не вытекала вода, и отсоедините насос. Проверьте и убедитесь в правильности установки уплотнений внутри переходников насоса. Если уплотнения отсутствуют или установлены неправильно, обратитесь для получения инструкций в местный центр послепродажного обслуживания Bestway. Если уплотнения имеются в наличии и установлены правильно, подсоедините насос к бассейну и затяните крепления переходников от руки.	

# Ограниченная гарантия производителя от компании BESTWAY®

На приобретенное вами изделие распространяется ограниченная гарантия. Компания Bestway® гарантирует качество изделия и отсутствие дефектов изготовления; в противном случае компания обязуется его заменить.

Для подачи гарантийной рекламации следует заполнить данную форму и вместе с копией товарного чека/счета-фактуры направить в местный центр послепродажного обслуживания компании Bestway. Прежде чем направлять документы, просим обратиться в ближайший центр послепродажного обслуживания компании Bestway. Там вы получите полные инструкции о том, что необходимо для оформления претензии. Компания Bestway® не выполняет замену изделий, дефекты которых вызваны небрежным обращением или несоблюдением рекомендаций, содержащихся в руководстве пользователя. Гарантия компании Bestway распространяется на дефекты изготовления, обнаруженные при распаковке изделия или во время эксплуатации в соответствии с рекомендациями, содержащимися в руководстве пользователя. Данная гарантия распространяется только на изделия, которые не подвергались изменениям со стороны третьих сторон. Изделие следует хранить и эксплуатировать в соответствии с техническими рекомендациями. Гарантия не распространяется на ущерб, причиненный в результате неправильного и небрежного использования, включая (но не ограничиваясь этим) пожар, применение неправильного напряжения, перегрев, неправильную установку, неправильный монтаж проводки или испытания, а также ненадлежащее хранение.

Замены и ремонты не продлевают срок действия гарантии. Датой вступления гарантии в силу является дата продажи, указанная на оригинале товарного чека/счета-фактуры.

Выберите ваш тип бассейна



КОМУ: Bestway® Service Department

Дата покупки: \_\_\_\_\_

ДАТА: \_\_\_\_\_

Номер кода клиента: \_\_\_\_\_

ФАКС/ЭЛЕКТРОННАЯ ПОЧТА/ТЕЛЕФОН: Используйте сведения для вашей страны, указанные на последней странице обложки или на нашем веб-сайте: [www.bestwaycorp.com](http://www.bestwaycorp.com)

Укажите ваш адрес полностью. **Примечание:** Неполный адрес может стать причиной задержки доставки.

Компания Bestway оставляет за собой право выставить счет за повторную пересылку посылок при неправильном указании отправителем адреса получателя.

## НЕОБХОДИМАЯ ИНФОРМАЦИЯ – ВПИШИТЕ АДРЕС ДОСТАВКИ

ФИО: \_\_\_\_\_ Адрес: \_\_\_\_\_

Индекс: \_\_\_\_\_ Продавец: \_\_\_\_\_

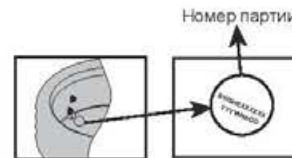
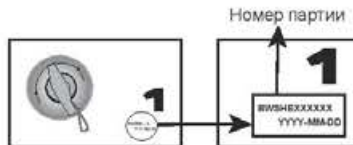
Страна: \_\_\_\_\_ Город: \_\_\_\_\_

Мобильный телефон: \_\_\_\_\_ Телефон: \_\_\_\_\_

Факс: \_\_\_\_\_ Электронная почта: \_\_\_\_\_

Номер партии НАСОСА: \_\_\_\_\_ Номер партии бассейна: \_\_\_\_\_

Код изделия НАСОСА: \_\_\_\_\_



Все схемы выполняют исключительно иллюстративную функцию. Схемы не отображают действительный масштаб. LAY-Z-SPA Vegas / Paris

## Описание проблемы

- Бассейн протекает
- Система фильтрации воды не работает
- Нагревательная система не работает
- Контрольная панель отображает поломку, которая не может быть устранена
- Массажная система Lay-Z-Massage не работает
- Насос протекает
- Переходник протекает
- Отсутствующие детали – просим использовать код недостающей детали, его можно найти в руководстве пользователя.
- Другое (просим описать)

**ВАЖНО: БУДЕТ ВЫПОЛНЕНА ЗАМЕНА ТОЛЬКО ПОВРЕЖДЕННОГО КОМПОНЕНТА, А НЕ ВСЕГО КОМПЛЕКТА.**

Компания Bestway оставляет за собой право запросить фотографические свидетельства дефектных компонентов либо потребовать выслать компонент для дополнительного тестирования. В целях оказания вам максимальной помощи просим предоставлять полную информацию.

ЧТОБЫ ОЗНАКОМИТЬСЯ С РАЗДЕЛОМ ЧАСТО ЗАДАВАЕМЫХ ВОПРОСОВ, ПОСМОТРЕТЬ ВИДЕО ИЛИ ЗАКАЗАТЬ ЗАПАСНЫЕ ЧАСТИ ИЗДЕЛИЙ, ПОСЕТИТЕ НАШ ВЕБ-САЙТ [www.bestwaycorp.com](http://www.bestwaycorp.com)  
ВИДЕО ДОСТУПНЫ ТАКЖЕ НА НАШЕМ КАНАЛЕ BESTWAY НА YOUTUBE: [www.youtube.com/user/BestwayService](http://www.youtube.com/user/BestwayService)

# SPIS TREŚCI

Odwiedź stronę Bestway na YouTube

1. Instrukcje dotyczące bezpieczeństwa .....	str. 152	5. Konserwacja .....	str.164
2. Specyfikacje .....	str. 155	Konserwacja wkładu filtra	
3. Instalacja .....	str. 158	Uzdatnianie wody	
Wybór lokalizacji		Regulacja zaworów powietrza	
Test pompy		Opróżnianie spa	
4. Obsługa pompy .....	str. 163	Czyszczenie spa	
Reset podgrzewania		Naprawa spa	
Panel sterowania		Przechowywanie Lay-Z-Spa	
Alarmy		Utylizacja	
		6. Rozwiązywanie problemów .	str.165
		7. Gwarancja .....	str. 166



## INSTRUKCJE DOTYCZĄCE BEZPIECZEŃSTWA

Podczas montażu i użytkowania tego urządzenia elektrycznego należy zawsze stosować podstawowe środki ostrożności, w tym:

### WAŻNE INSTRUKCJE DOTYCZĄCE BEZPIECZEŃSTWA — PRZECZYTAJ I PRZESTRZEGAJ W CAŁOŚCI.

#### OSTRZEŻENIE:

- Spa należy zasilac poprzez transformator izolujący lub wyłącznik różnicowoprądowy (RCD) o znamionowym szczytkowym prądzie roboczym nieprzekraczającym 30 mA.
- Pompę należy przetestować przed każdym użyciem. Patrz instrukcja pompy.
- Jeśli kabel zasilania jest uszkodzony, dla bezpieczeństwa należy zlecić jego wymianę producentowi, serwisantowi lub innej wykwalifikowanej osobie.
- Aby ograniczyć ryzyko porażenia prądem, nie podłączać urządzenia do zasilania za pośrednictwem przedłużacza. Korzystać z odpowiednio umiejscowionego gniazda.
- Żadna część urządzenia nie może się znajdować powyżej wody w trakcie użytkowania.
- Części zawierające elementy pod napięciem, z wyjątkiem części zasilanych niskim napięciem nieprzekraczającym 12 V, muszą być niedostępne dla osób znajdujących się w spa. Części zawierające elementy elektryczne, z wyjątkiem urządzeń zdalnego sterowania, muszą być umieszczone lub zamontowane tak, żeby nie mogły wpaść do spa.
- Spa należy zasilac z uziemionego źródła.
- **Ostrzeżenie: chronić wtyczkę przed zamoczeniem. Wkładanie mokrej wtyczki do kontaktu jest stanowczo zabronione.**
- Po zainstalowaniu spa wtyczka musi być łatwo dostępna.
- **OSTROŻNIE:** aby uniknąć zagrożenia związanego z niezamierzonym ponownym załączeniem wyłącznika termicznego, urządzenie nie może być zasilane za pośrednictwem zewnętrznego przełącznika, takiego jak timer, ani podłączone do obwodu regularnie włączanego i wyłączanego przez dostawcę energii. Po 3–5 latach eksploatacji spa należy się skontaktować z wykwalifikowanym serwisantem w celu sprawdzenia systemu pod kątem bezpieczeństwa i wydajności. Główne komponenty urządzenia elektrycznego, takie jak element grzewczy, silnik dmuchawy czy zawory zwrotne, powinny być sprawdzane i (w razie potrzeby) wymieniane przez fachowca.
- **W CELU UNIKNIĘCIA PORĄŻENIA PRĄDEM ELEKTRYCZNYM NIE NALEŻY UŻYWAĆ SPA W TRAKCIE DESZCZU.**
- Nie nosić soczewek kontaktowych w trakcie korzystania ze spa.
- Nie używać spa w okresie konserwacji z użyciem chemikaliów.
- Źródło zasilania w ścianie budynku powinno się znajdować co najmniej na wysokości 1,2 m i w odległości ponad 4 m od spa.
- Zabrania się używania przedłużaczy.
- Nie podłączać i nie odłączać urządzenia mokrymi rękami.
- Zawsze wyjmować wtyczkę urządzenia z gniazda:
  - w deszczowe dni,
  - przed czyszczeniem lub innymi pracami konserwacyjnymi,
  - przed zostawieniem bez nadzoru na okres wakacyjny
- Czyszczenie i konserwacja muszą być wykonywane przez osobę dorosłą w wieku powyżej 18 roku życia, która jest świadoma ryzyka porażenia prądem elektrycznym.
- Jeśli urządzenie nie będzie używane przez dłuższy czas, na przykład zimą, należy zdemontować zestaw spa lub basenowy i schować go w budynku.
- **Ostrożnie:** przed użyciem, instalacją lub ponownym montażem produktu należy przeczytać instrukcję.



- Instrukcję należy przechowywać w bezpiecznym miejscu. W razie braku instrukcji prosimy o kontakt z producentem lub o wyszukanie wersji elektronicznej na stronie: [www.bestwaycorp.com](http://www.bestwaycorp.com)
- **Ostrzeżenie: ze względów bezpieczeństwa na kablu zasilania produktu znajduje się wyłącznik różnicowoprądowy. W razie wykrycia prądu upływu o wartości przekraczającej 10 mA urządzenie zadziała i odetnie zasilanie. W takim przypadku należy odłączyć produkt od prądu i natychmiast zaprzestać jego używania. Nie resetować produktu samodzielnie. W celu sprawdzenia i naprawy urządzenia należy się skontaktować z przedstawicielem lokalnego punktu serwisowego.**
- Dzieci powyżej 8 roku życia i osoby o ograniczonej sprawności fizycznej, sensorycznej i umysłowej oraz osoby nieposiadające dostatecznej wiedzy albo wystarczającego doświadczenia mogą używać tego urządzenia tylko pod opieką lub pod warunkiem, że zostały poinstruowane o bezpiecznym sposobie używania urządzenia i zrozumiały zagrożenia związane z jego używaniem. Dzieci nie powinny bawić się urządzeniem. Czyszczenie i konserwacja nie powinny być wykonywane przez dzieci bez nadzoru dorosłych. (Dla rynku UE)  
Osoby (w tym dzieci) o ograniczonej sprawności fizycznej, sensorycznej i umysłowej oraz osoby nieposiadające dostatecznej wiedzy albo wystarczającego doświadczenia mogą używać urządzenia tylko pod opieką osoby odpowiedzialnej za ich bezpieczeństwo lub pod warunkiem, że zostały odpowiednio poinstruowane przez taką osobę o obsłudze urządzenia. Dzieci należy pilnować, aby nie bawiły się urządzeniem. (Dla rynku innego niż UE)
- Dzieci chętnie bawią się w wodzie, dlatego po każdym użyciu spa należy zakładać pokrywę.
- Nie zakopywać kabla. Kabel należy ułożyć w taki sposób, żeby zminimalizować ryzyko jego uszkodzenia przez kosiarki, nożyce do żywopłotów czy inne urządzenia.
- Ryzyko utonięcia. Należy zachować szczególną ostrożność w celu uniemożliwienia dzieciom dostępu do produktu. Aby zapobiec wypadkom, należy dopilnować, żeby dzieci nie mogły korzystać ze spa bez nadzoru.
- **RYZIKO URAZÓW.** Nigdy nie uruchamiać spa w przypadku uszkodzenia lub braku rur dopływowych/odpływowych. Nigdy nie próbować wymieniać rur dopływowych/odpływowych. Zawsze zwracać się do centrum obsługi posprzedażowej.
- **RYZIKO PORAŻENIA PRĄDEM.** Zainstalować w odległości co najmniej 2 m od wszystkich powierzchni metalowych.
- **RYZIKO PORAŻENIA PRĄDEM.** Osoby przebywające w spa lub mokre nie powinny nigdy obsługiwać żadnych urządzeń elektrycznych. Nie umieszczać żadnych urządzeń elektrycznych, takich jak lampy, telefony, odbiorniki radiowe czy telewizory, w promieniu 2 m od spa.
- Ciężarne kobiety powinny unikać długotrwałego przebywania w gorącej wodzie z uwagi na ryzyko uszkodzenia płodu. Jednorazowo należy korzystać z produktu nie dłużej niż przez 10 minut.
- **W CELU OGRANICZENIA RYZYKA URAZÓW:**
  - A. Temperatura wody w spa nie powinna nigdy przekraczać 40°C (104°F). Temperatura wody w zakresie od 38°C (100°F) do 40°C (104°F) jest uznawana za bezpieczną dla zdrowej osoby dorosłej. Niższe temperatury wody są zalecane dla dzieci oraz w przypadku użytkownika spa przez czas dłuższy niż 10 minut.
  - B. Ponieważ przebywanie w gorącej wodzie we wczesnych miesiącach ciąży wiąże się z dużym ryzykiem uszkodzenia płodu, kobiety ciężarne lub mogące być w ciąży powinny ograniczać temperaturę wody w spa do 38°C (100°F).
  - C. Przed wejściem do spa użytkownik powinien zmierzyć temperaturę wody za pomocą precyzyjnego termometru, jako że zakres błędów regulatora temperatury wody jest zmienny.
  - D. Alkohol, substancje odurzające i leki spożyte przed skorzystaniem ze spa lub w trakcie korzystania ze spa mogą powodować utratę przytomności, a w konsekwencji utonięcie.
  - E. Osoby otyłe i osoby, które cierpiały lub cierpią na choroby serca, niedociśnienie lub nadciśnienie krwi, choroby układu krążenia lub cukrzycę, powinny się skonsultować z lekarzem przed użyciem spa.
  - F. Osoby stosujące leki powinny przed skorzystaniem ze spa skonsultować się z lekarzem, jako że niektóre leki mogą powodować senność, a inne wpływać na tętno, ciśnienie krwi i krążenie.
- **W CELU OGRANICZENIA RYZYKA URAZÓW:** nigdy nie nalewać do spa wody o temperaturze przekraczającej 40°C (104°F).
- Spożywanie alkoholu i stosowanie substancji odurzających lub leków może znacząco podnieść ryzyko hipertermii i śmierci. Hipertermia występuje w sytuacji, kiedy temperatura wewnętrzna ciała człowieka przekracza o kilka stopni normalną temperaturę 37°C (98,6°F). Do objawów hipertermii należą: zwiększenie temperatury ciała, zawroty głowy, zmęczenie, senność i utrata przytomności. Do skutków hipertermii należą: niezdolność odczuwania gorąca, niezdolność stwierdzenia konieczności opuszczenia

- spa lub jacuzzi, niezdawanie sobie sprawy z grożącego niebezpieczeństwa, uszkodzenia płodu u ciężarnych kobiet, fizyczna niemożność opuszczenia spa lub jacuzzi, utrata przytomności grożąca utonięciem.
- Instalacja elektryczna musi zostać wykonana zgodnie z krajowymi przepisami dotyczącymi układania przewodów. W razie pytań skonsultować się z wykwalifikowanym elektrykiem.

### ZASIĘGNAĆ PORADY LEKARZA. OSTROŻNIE:

- Spa nie należy rozstawiać ani zostawiać w temperaturach poniżej 4°C (40°F).
- Nie używać spa w pojedynkę.
- Osoby cierpiące na choroby zakaźne nie powinny korzystać ze spa.
- Nie używać spa zaraz po intensywnych ćwiczeniach fizycznych.
- Należy zawsze pamiętać o powolnym i ostrożnym wchodzeniu do spa i wychodzeniu z niego. Mokre powierzchnie są śliskie.
- Aby uniknąć uszkodzenia pompy, nie należy nigdy uruchamiać spa, jeśli nie jest napełnione wodą.
- W razie uczucia dyskomfortu lub senności należy natychmiast opuścić spa.
- Nigdy nie dolewać wody do chemikaliów. Zawsze dodawać chemikalia do wody, żeby uniknąć gęstych oparów i gwałtownych reakcji grożących rozpryskiwaniem.
- Informacje dotyczące czyszczenia oraz konserwacji i usuwania wody zawarto w części „KONSERWACJA”.
- Informacje dotyczące instalacji zawarto w kolejnej części instrukcji.

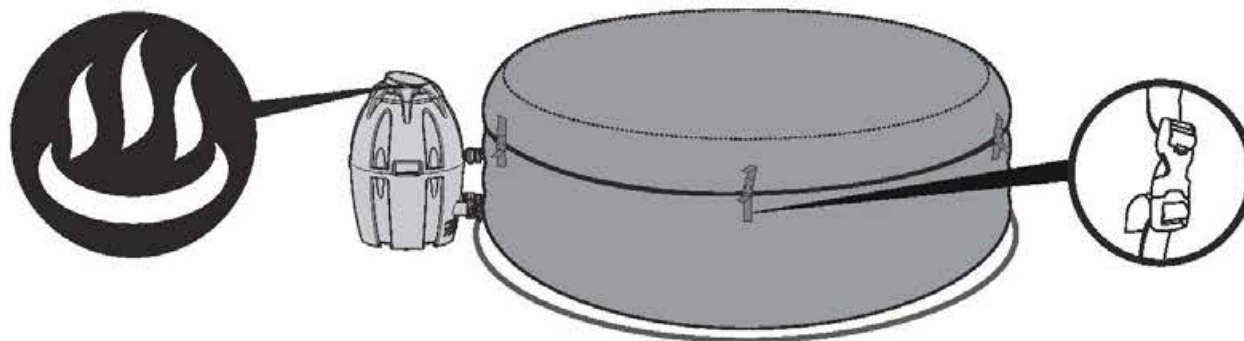
### UWAGA:

- Przed użyciem należy skontrolować urządzenia. W przypadku uszkodzenia lub braku części w zakupionym produkcie należy się skontaktować z biurem obsługi klienta Bestway pod adresem podanym w tej instrukcji obsługi. Należy się upewnić, że komponenty są odpowiednie do zakupionego modelu.
- Produkt nie nadaje się do użytku komercyjnego.

## INSTRUKCJĘ NALEŻY ZACHOWAĆ DO WGLĄDU W PRZYSZŁOŚCI WAŻNE!

Czas potrzebny na osiągnięcie 40° (104°F) zależy od początkowej temperatury wody i temperatury otoczenia, a poniższe dane zostały zamieszczone wyłącznie w celach informacyjnych. W celu wyświetlenia bieżącej temperatury wody należy uruchomić system filtracji na co najmniej jedną minutę.

Temperatura otoczenia	Temperatura wody	Ustawiona temperatura	Okres ogrzewania
10°C(50°F)	10°C(50°F)	40°C(104°F)	18,5h
15°C(59°F)	15°C(59°F)	40°C(104°F)	15h
20°C(68°F)	20°C(68°F)	40°C(104°F)	11,5h
25°C(77°F)	25°C(77°F)	40°C(104°F)	8,5h
30°C(86°F)	30°C(86°F)	40°C(104°F)	5,5h

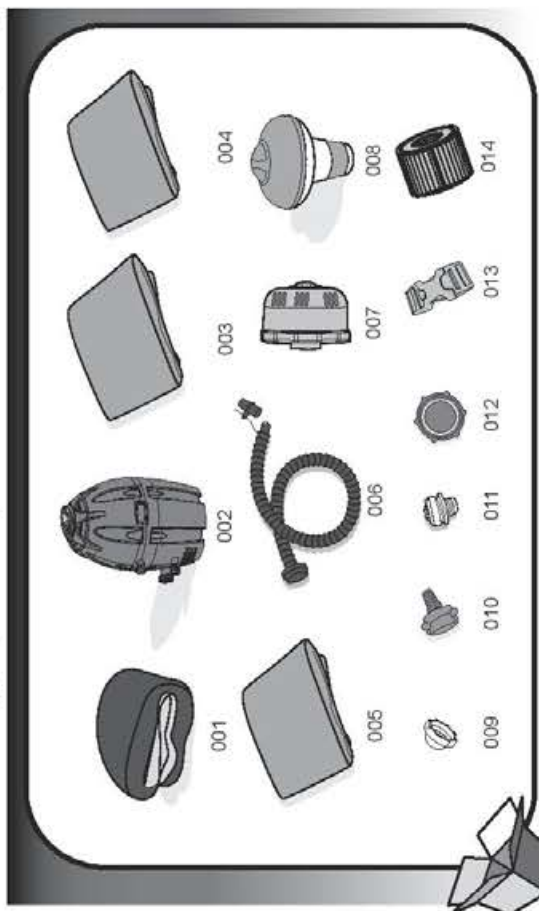


Upewnić się, że w trakcie podgrzewania wody spa jest nakryte pokrywą. Pozostawienie spa bez pokrywy spowoduje wydłużenie okresu podgrzewania.  
Nie należy używać spa, jeśli temperatura otoczenia jest niższa niż 4°C (39°F).

## SPECYFIKACJE LAY-Z-SPA™ VEGAS AirJet (#54112)

Pojemność:	4-6 osób dorosłych	Dmucharwa do hydromasazu:	800W	Zwiększone tempo grzania:	Okolo 1,5-2°C/h (3-4°F/h)
Pojemność wody (80%):	935 L (247 gal)	Element grzewczy:	2.000W przy 20°C	Rzeczywisty przepływ wody:	1.325 L/h (350 gal/h)
Rozmiar po napompowaniu:	1,96m x 61cm (77" x 24")	Pompa:	Pompa obiegowa filtracyjna 50 W	Prąd:	220-240V AC, 2.050W przy 20°C
Ciążar po napełnieniu:	966 kg (2.130 Lb)	Wydajność termiczna:	40°C (104°F)	Cisnienie robocze:	0,8PSI (0,055Bar)

**UWAGA:** powyższe tempo nagrzewania określona na podstawie testu laboratoryjnego w temperaturze otoczenia od 25°C (77°F).



Nr. części	Kod części	Opis	ILOŚĆ
001	54112TASS15	Wykładzina basenu	1
002	P4H054ASS17	Podgrzewacz spa	1
003	P5H284GASS17	Górna pokrywa skóropodobna	1
004	P5H284TASS17	Skóropodobne pokrycie wykładziny	1
005	54112GASS15	Dmucharwa	1
006	P6931	Wąż powietrza	1
007	P6653	Zestaw filtra	1
008	58426S17	Pływak chemiczny	1
009	P6575	Korki	2
010	P6932	Adapter węża	1
011	F4A0244ASS	Zawór z gwintem	1
012	P6611	Pokrywa adaptera A	1
013	F6414ASS	Klamra	8
014	58323	Wkład filtra (VI)	2

## SPECYFIKACJE LAY-Z-SPA™ MONACO AirJet (#54113)

Pojemność:	6-8 osób dorosłych	Dmucharwa do hydromasazu:	800W	Zwiększone tempo grzania:	Okolo 1,0-1,5°C/h (2-3°F/h)
Pojemność wody (80%):	1.463 L (384 gal.)	Element grzewczy:	2.000W przy 20°C	Rzeczywisty przepływ wody:	1.325 L/h (350 gal/h)
Rozmiar po napompowaniu:	2,01m x 69cm (79" x 27")	Pompa:	Pompa obiegowa filtracyjna 50 W	Prąd:	220-240V AC, 2.050W przy 20°C
Ciążar po napełnieniu:	1.490 kg (3.284 Lb)	Wydajność termiczna:	40°C (104°F)	Cisnienie robocze:	7PSI-10PSI (0,48Bar-0,69Bar)

**UWAGA:** powyższe tempo nagrzewania określona na podstawie testu laboratoryjnego w temperaturze otoczenia od 25°C (77°F).

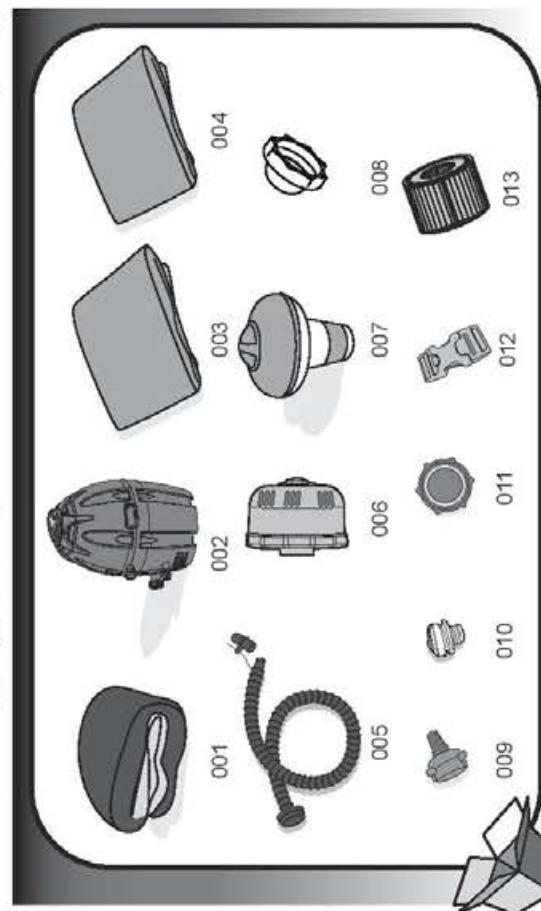


Nr. części	Kod części	Opis	ILOŚĆ
001	54113TASS17	Wykładzina basenu	1
002	P4D148ASS17	Podgrzewacz spa	1
003	P5D288ASS17	Górna pokrywa skóropodobna	1
004	54113GASS17	Dmucharwa	1
005	P6931	Wąż powietrza	1
006	P6653	Zestaw filtra	1
007	58426S17	Pływak chemiczny	1
008	P3054Q17	Ręczna pompa wysockiśnieniowa	1
009	F6H189ASS15	Klucz płaski	1
010	P6575	Korki	2
011	P6932	Adapter węża	1
012	P6608	Cisnieniomierz	1
013	P6611	Pokrywa adaptera A	1
014	12632ASS15	Dmucharwa poduszki	4
015	P6H971	Zawór nadmuchiwania	1
016	F6414ASS	Klamra	6
017	58323	Wkład filtra (VI)	2

### SPECYFIKACJE LAY-Z-SPA™ MIAMI AirJet (#54123)

Pojemność:	2-4 osób dorosłych	Dmuchała do hydromasażu:	800W	Zwiększone tempo grzania:	Okolo 1,5-2°C/h (3-4°F/h)
Pojemność wody (80%):	669 L (177 gal)	Element grzewczy:	2.000W przy 20°C	Rzeczywisty przepływ wody:	1.325 L/h (350 gal/h)
Rozmiar po napompowaniu:	1,80m x 66cm (7'1" x 26")	Pompa:	Pompa obiegowa filtracyjna 50 W	Prąd:	220-240V AC, 2.050W przy 20°C
Ciążar po napelnieniu:	696 kg (1.534 Lb)	Wytrzymałość termiczna:	40°C (104°F)	Ciśnienie robocze:	0,8PSI (0,055Bar)

**UWAGA:** powyższe tempo nagrzewania określona na podstawie testu laboratoryjnego w temperaturze otoczenia od 25°C (77°F).

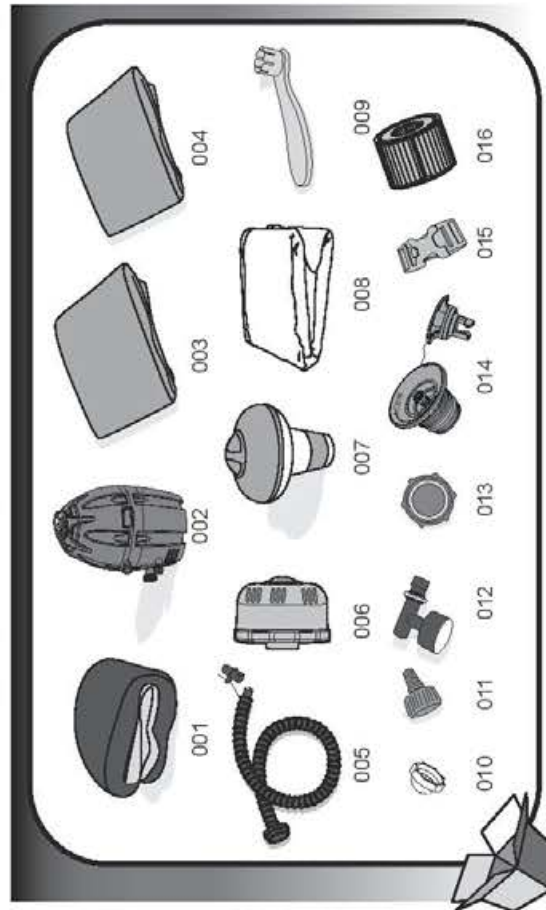


Nr. części	Kod części	Opis	ILOŚĆ
001	54123TASS17	Wykładzina basenu	1
002	P4H054ASS17	Podgrzewacz spa	1
003	P5C364ASS17	Górna wzmocniona pokrywa	1
004	54123GASS17	Dmuchała pokrywa	1
005	P6931	Wąż powietrza	1
006	P6653	Zestaw filtra	1
007	58426S17	Pływak chemiczny	1
008	P6575	Korki	2
009	P6932	Adapter węza	1
010	F4024ASS	Zawór z gwintem	1
011	P6611	Pokrywa adaptera A	1
012	F6414ASS	Klamra	6
013	58323	Wkład filtra (VI)	2

### SPECYFIKACJE LAY-Z-SPA™ PALM SPRINGS AirJet (#54129)

Pojemność:	4-6 osób dorosłych	Dmuchała do hydromasażu:	800W	Zwiększone tempo grzania:	Okolo 1,5-2°C/h (3-4°F/h)
Pojemność wody (80%):	916 L (242 gal)	Element grzewczy:	2.000W przy 20°C	Rzeczywisty przepływ wody:	1.325 L/h (350 gal/h)
Rozmiar po napompowaniu:	1,96m x 71cm (7'7" x 28")	Pompa:	Pompa obiegowa filtracyjna 50 W	Prąd:	220-240V AC, 2.050W przy 20°C
Ciążar po napelnieniu:	964 kg (2.103 Lb)	Wytrzymałość termiczna:	40°C (104°F)	Ciśnienie robocze:	1,2PSI (0,08Bar)

**UWAGA:** powyższe tempo nagrzewania określona na podstawie testu laboratoryjnego w temperaturze otoczenia od 25°C (77°F).

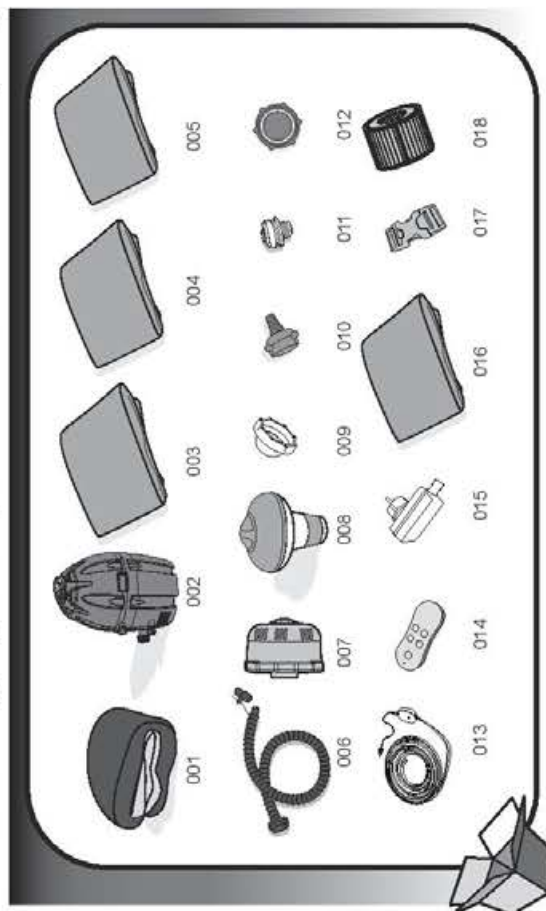


Nr. części	Kod części	Opis	ILOŚĆ
001	54129TASS17	Wykładzina basenu	1
002	P4E079ASS17	Podgrzewacz spa	1
003	P5B401ASS17	Górna pokrywa skóropodobna	1
004	54129GASS17	Dmuchała pokrywa	1
005	P6930	Wąż powietrza	1
006	P6653	Zestaw filtra	1
007	58426S17	Pływak chemiczny	1
008	58321(H)S15	Mata podłogowa	1
009	F6H189ASS15	Klucz płaski	1
010	P6575	Korki	2
011	P6H565	Adapter węza	1
012	P6T199	Ciśnieniomierz	1
013	P6611	Pokrywa adaptera A	1
014	P6H971	Zawór nadmuchiwania	1
015	F6414ASS	Klamra	6
016	58323	Wkład filtra (VI)	2

## SPECYFIKACJE LAY-Z-SPA™ PARIS AirJet (#54148)

Pojemność:	4-6 osób dorosłych	Dmuchawa do hydromasazu:	800W	Zwiększone tempo grzania:	Okolo 1,5-2°C/h (3-4°F/h)
Pojemność wody (80%):	808 L (213 gal)	Element grzewczy:	2.000W przy 20°C	Rzeczywisty przepływ wody:	1.325 L/h (350 gal/h)
Rozmiar po napełnieniu:	1,96m x 86cm (77" x 26")	Pompa:	Pompa obiegowa filtracyjna 50 W	Prąd:	220-240V AC, 2.050W przy 20°C
Ciążar po napełnieniu:	840 kg (1.851 Lb)	Temperatura Capabilities:	40°C (104°F)	Cisnienie robocze:	0,9PSI (0,055Bar)

**UWAGA:** powyższe tempo nagrzewania określona na podstawie testu laboratoryjnego w temperaturze otoczenia od 25°C (77°F).

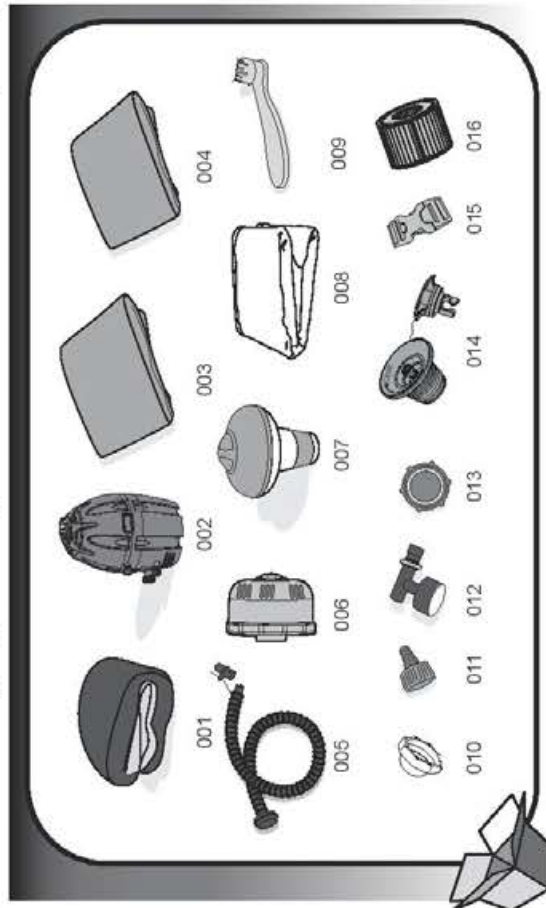


Nr. części	Kod części	Opis	ILOŚĆ
001	54148TASS16	Wykładzina basenu	1
002	P4H054ASS17	Podgrzewacz spa	1
003	P5H284GASS17	Górna pokrywa skóropodobna	1
004	P5H513TASS17	Skóropodobne pokrycie wykładziny	1
005	54148GASS16	Dmuchana pokrywa	1
006	P6931	Wąż powietrza	1
007	P6653	Zestaw filtra	1
008	58426S17	Pływak chemiczny	1
009	P6575	Korki	2
010	P6932	Adapter węża	1
011	F4A024ASS	Zawór z gwintem	1
012	P6611	Pokrywa adaptera A	1
013	P61670	Pasek LED	1
014	P61232	Pilot zdalnego sterowania	1
015	P61671	Transformator	1
016	58321(H)S15	Mata podlogowa	1
017	F6414ASS	Klamra	8
018	58323	Wkład filtra (VI)	2

## SPECYFIKACJE LAY-Z-SPA™ Hawaii AirJet (#54154)

Pojemność:	4-6 osób dorosłych	Dmuchawa do hydromasazu:	800W	Zwiększone tempo grzania:	Okolo 1,5-2°C/h (3-4°F/h)
Pojemność wody (80%):	840 L (222 gal.)	Element grzewczy:	2.000W przy 20°C	Rzeczywisty przepływ wody:	1.325 L/h (350 gal/h)
Rozmiar po napełnieniu:	1,80m x 1,80m x 71cm (71" x 71" x 28")	Pompa:	Pompa obiegowa filtracyjna 50 W	Prąd:	220-240V AC, 2.050W przy 20°C
Ciążar po napełnieniu:	879 kg (1.938 Lb)	Wydajność termiczna:	40°C (104°F)	Cisnienie robocze:	1,2PSI (0,08Bar)

**UWAGA:** powyższe tempo nagrzewania określona na podstawie testu laboratoryjnego w temperaturze otoczenia od 25°C (77°F).

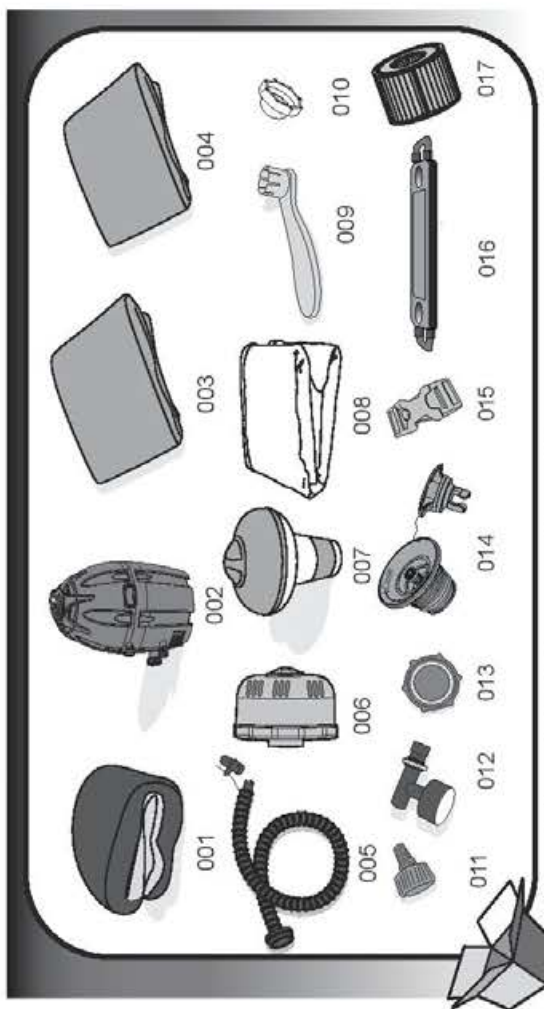


Nr. części	Kod części	Opis	ILOŚĆ
001	54154TASS17	Wykładzina basenu	1
002	P4D148ASS17	Podgrzewacz spa	1
003	P5D588GASS17	Górna pokrywa skóropodobna	1
004	54138GASS17	Dmuchana pokrywa	1
005	P6930	Wąż powietrza	1
006	P6653	Zestaw filtra	1
007	58426S17	Pływak chemiczny	1
008	58371(H)S15	Mata podlogowa	1
009	F6H189ASS15	Klucz płaski	1
010	P6575	Korki	2
011	P6H565	Adapter węża	1
012	P6H199	Cisnienie mierzący	1
013	P6611	Pokrywa adaptera A	1
014	P6H971	Zawór nadmuchiwania	1
015	F6414ASS	Klamra	8
016	58323	Wkład filtra (VI)	2

## SPECYFIKACJE LAY-Z-SPA™ Siena AirJet (#54156)

Pojemność: 2 osób dorosłych	Dmuchała do hydromasażu: 800W	Zwiększone tempo grzania: 2,2°F/Ch (3,5-4,5°F/In)	Ciepło
Pojemność wody (80%): 509 L (134 gal.)	Element grzewczy: 2.000W przy 20°C	Rzeczywisty przepływ wody: 1.325 L/h (350 gal/h)	
Rozmiar po napompowaniu: 2,49m x 1,49m x 66cm (98" x 59" x 26")	Pompa: Pompa obiegowa filtracyjna 50 W	Prąd: 220-240V AC, 2.050W przy 20°C	
Ciążar po napełnieniu: 548 kg (1.205 Lb)	Wytrzymałość termiczna: 40°C (104°F)	Ciśnienie robocze: 1,2PSI (0,08Bar)	

**UWAGA:** powyższe tempo nagrzewania określona na podstawie testu laboratoryjnego w temperaturze otoczenia od 25°C (77°F).



Nr. części	Kod części	Opis	ILOŚĆ
001	54156TASS17	Wykładzina basenu	1
002	P4H054ASS17	Podgrzewacz spa	1
003	P5694ASS17	Główna pokrywa skóropodobna	1
004	54156GASS17	Dmuchała pokrywa	1
005	P6930	Wąż powietrza	1
006	P6653	Zestaw filtra	1
007	58426S17	Płynak chemiczny	1
008	P5696	Mata podłogowa	1
009	F6H189ASS15	Klucz płaski	1
010	P6675	Korki	2
011	P6H565	Adapter węzła	1
012	P61199	Ciśnieniomierz	1
013	P6611	Pokrywa adaptera A	1
014	P6H971	Zawór nadmuchiwania	1
015	F6414ASS	Klamra	8
016	P5595	Stolik na napoje	1
017	58323	Wkład filtra (V)	2

## INSTALACJA

### Wybór lokalizacji

**OSTRZEŻENIE:** podłoże musi być w stanie utrzymać przewidywany ciężar.

**OSTRZEŻENIE:** zarówno w przypadku instalacji w budynku, jak i na zewnątrz, wymagana jest stosowna instalacja odprowadzania nadmiaru wody.

**IMPORTANT:** z uwagi na połączony ciężar Lay-Z-Spa, wody oraz użytkowników niezwykle istotne jest umieszczenie Lay-Z-Spa na podłożu gładkim, płaskim i poziomym, mogącym na całej powierzchni i przez cały czas utrzymywać ciężar Lay-Z-Spa (żadnych dywanów czy innych podobnych materiałów). W przypadku umieszczenia Lay-Z-Spa na podłożu niespełniającym powyższych wymogów producent nie ponosi odpowiedzialności gwarancyjnej za jakiegokolwiek uszkodzenia wynikające z niewłaściwego podparcia. Właściciel Lay-Z-Spa przez cały czas odpowiada za stan techniczny miejsca instalacji.

### 1. Instalacja w budynku:

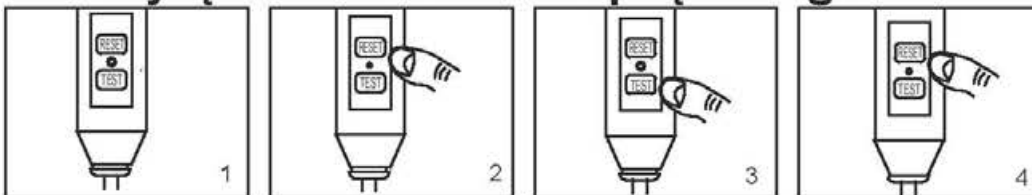
**w przypadku instalowania spa w budynku należy pamiętać o specjalnych wymogach.**

- Naturalnym skutkiem ubocznym instalacji Lay-Z-Spa jest wilgoć. Należy ustalić wpływ wilgotności powietrza na niezabezpieczone drewno, papier itp. w miejscu instalacji. W celu zminimalizowania tych skutków zaleca się zapewnienie dobrej wentylacji wybranego obszaru. Potrzebę dodatkowej wentylacji pomoże określić architekt.

### 2. Instalacja na zewnątrz:

- Podczas napełniania, opróżniania i użytkowania spa może dochodzić do rozlewania wody. W związku z tym Lay-Z-Spa należy zainstalować w pobliżu odpływu.
- Nie wystawiać powierzchni spa na długotrwałe działanie promieni słonecznych.

## Test wyłącznika różnicowoprądowego



**UWAGA:** rysunki zostały zamieszczone wyłącznie w celach ilustracyjnych. Mogą odbiegać od rzeczywistego wyglądu produktu. Nie wykonane w skali.

1. Włożyć wtyczkę do gniazda.
2. Nacisnąć przycisk „RESET”. Wskaźnik się zaświeci.
3. Nacisnąć przycisk „TEST”. Wskaźnik zgaśnie.
4. Nacisnąć przycisk „RESET”. Wskaźnik się zaświeci.
5. Nacisnąć wyłącznik i przytrzymać przez 2 sekundy. Pompa jest gotowa do użycia.

**OSTRZEŻENIE:** w celu uniknięcia porażenia prądem przed każdym użyciem należy sprawdzać wtyczkę wyłącznika różnicowoprądowego.

**OSTRZEŻENIE:** przed włożeniem wtyczki do gniazda należy się upewnić, że prąd znamionowy w gnieździe jest odpowiedni dla pompy.

**OSTRZEŻENIE:** jeśli test zakończy się niepowodzeniem, nie używać pompy, a skontaktować się z naszym serwisem posprzedażowym.



**UWAGA:** podczas pompowania z zaworu połączenia węża i pompy będzie się wydobywało powietrze. Jest to normalne i zgodne z wymogami technicznymi.

**UWAGA:** do pompowania basenu nie należy używać sprężarki.

**UWAGA:** nie przeciągać basenu po nierównych powierzchniach, ponieważ grozi to uszkodzeniem wykładziny.

**UWAGA:** czas pompowania został podany wyłącznie w celach informacyjnych.

**UWAGA:** manometr jest przeznaczony wyłącznie do pompowania, a wskazywane przez niego wartości są przybliżone. Nie używać jako przyrządu precyzyjnego.

### Kontrola zaworu powietrza (w spa z zaworem szybkiego pompowania/spuszczania powietrza)

Zawsze przed pompowaniem należy dokładnie sprawdzać zawór powietrza pod kątem szczelności. Jeśli zawór powietrza jest poluzowany, należy go dokręcić za pomocą dostarczonego klucza. Jedną ręką przytrzymać tył zaworu powietrza od wewnętrznej strony ściany spa i obracać klucz w kierunku zgodnym z ruchem wskazówek zegara.

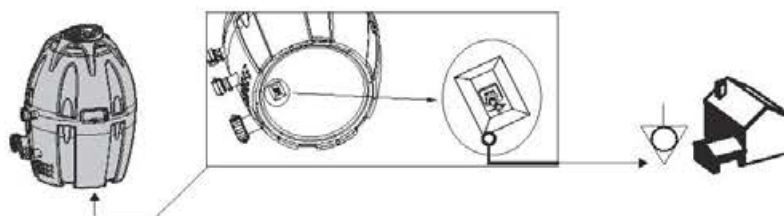
**UWAGA:**

1. Nie dokręcać zbyt mocno.
2. Nie regulować złącza zaworu powietrza, kiedy spa jest w użyciu.

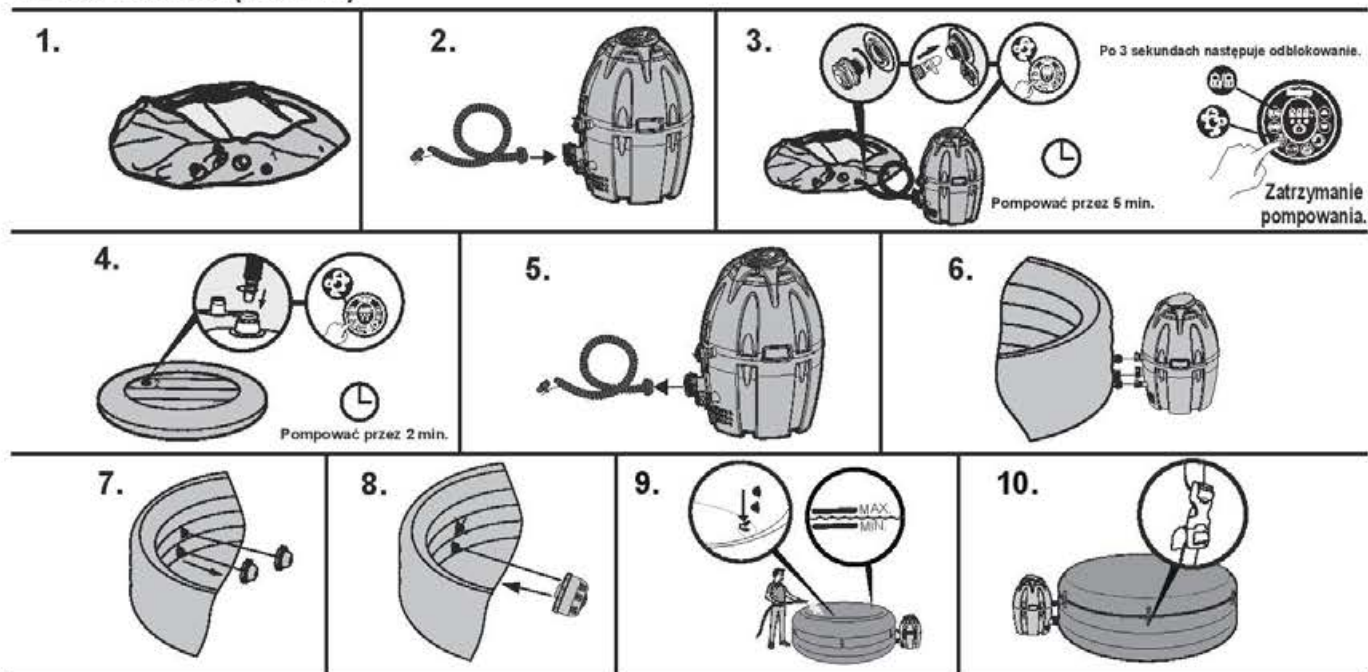


### SYSTEM WYRÓWNYWANIA POTENCJAŁÓW POMPY SPA

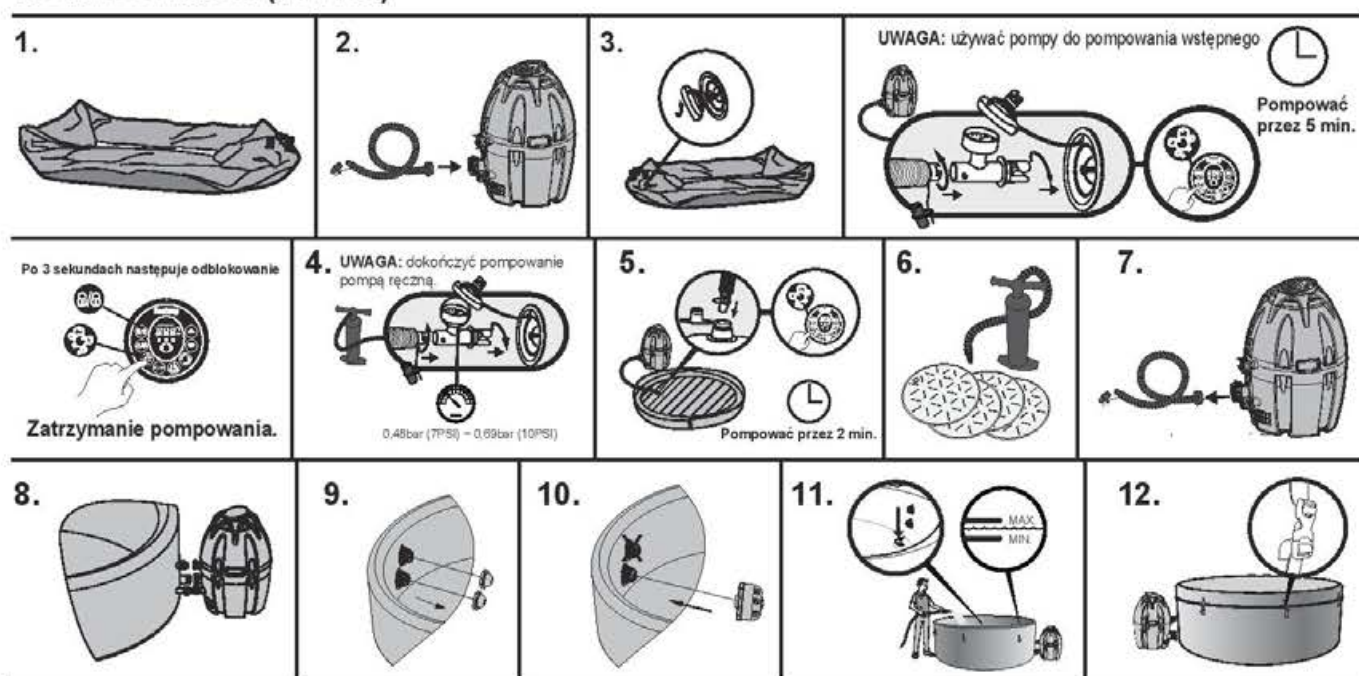
Zaleca się zlecenie uziemienia profesjonalnemu elektrykowi. Pompę SPA należy podłączyć do zacisku uziemiającego z jednożyłowym przewodem miedzianym o przekroju nie mniejszym niż 2,5 mm<sup>2</sup>.



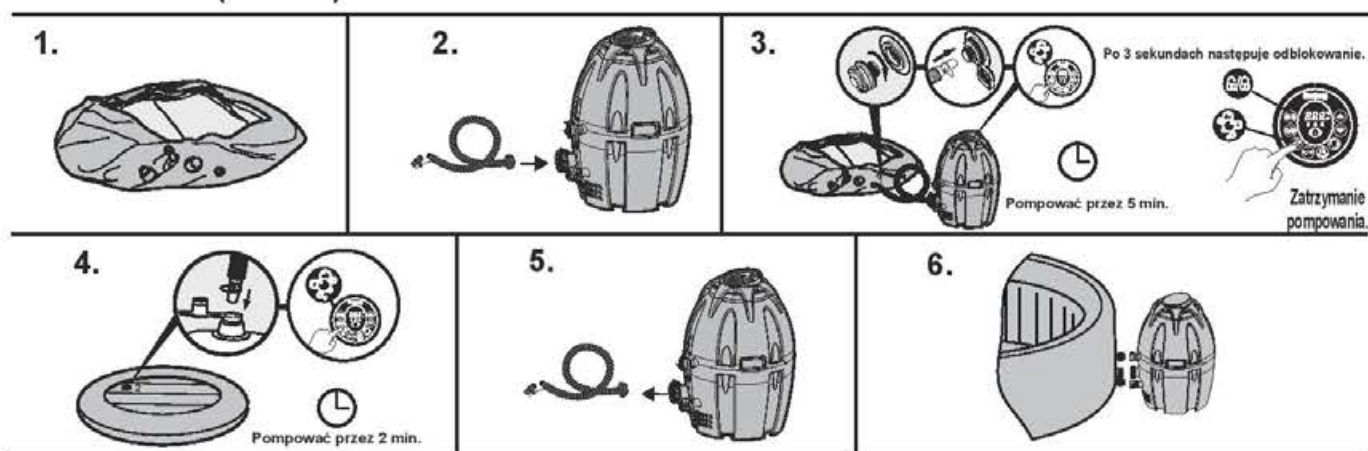
## VEGAS AirJet (#54112)



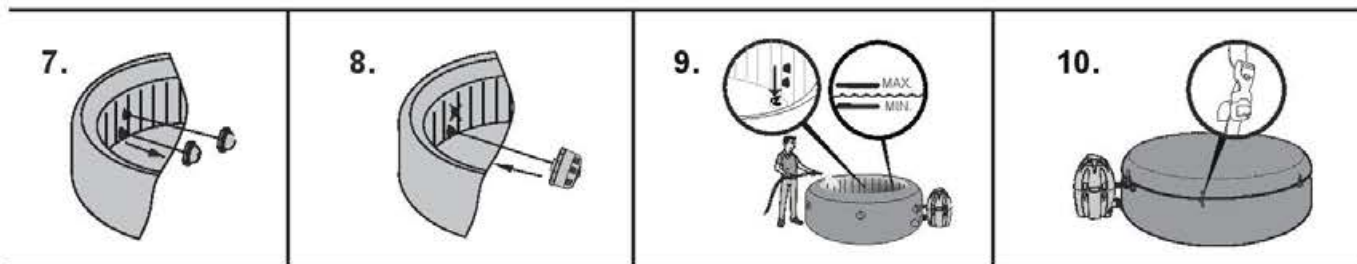
## MONACO AirJet (#54113)



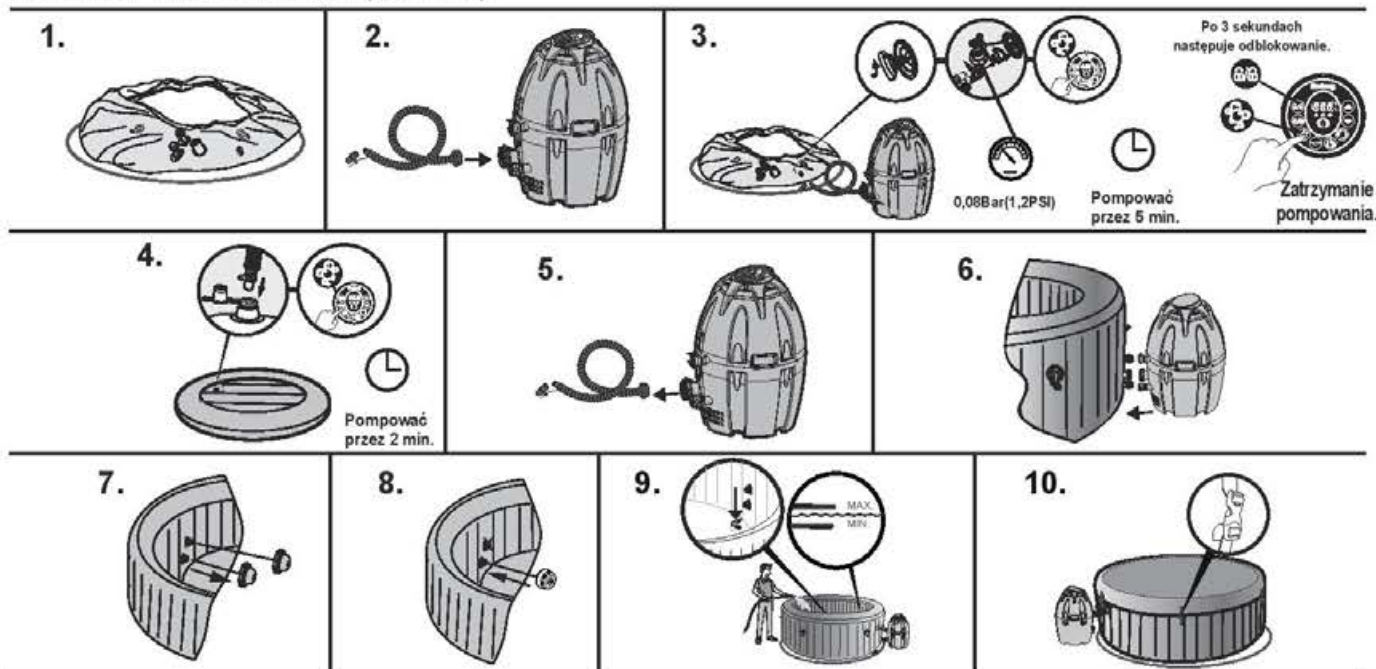
## MIAMI AirJet (#54123)



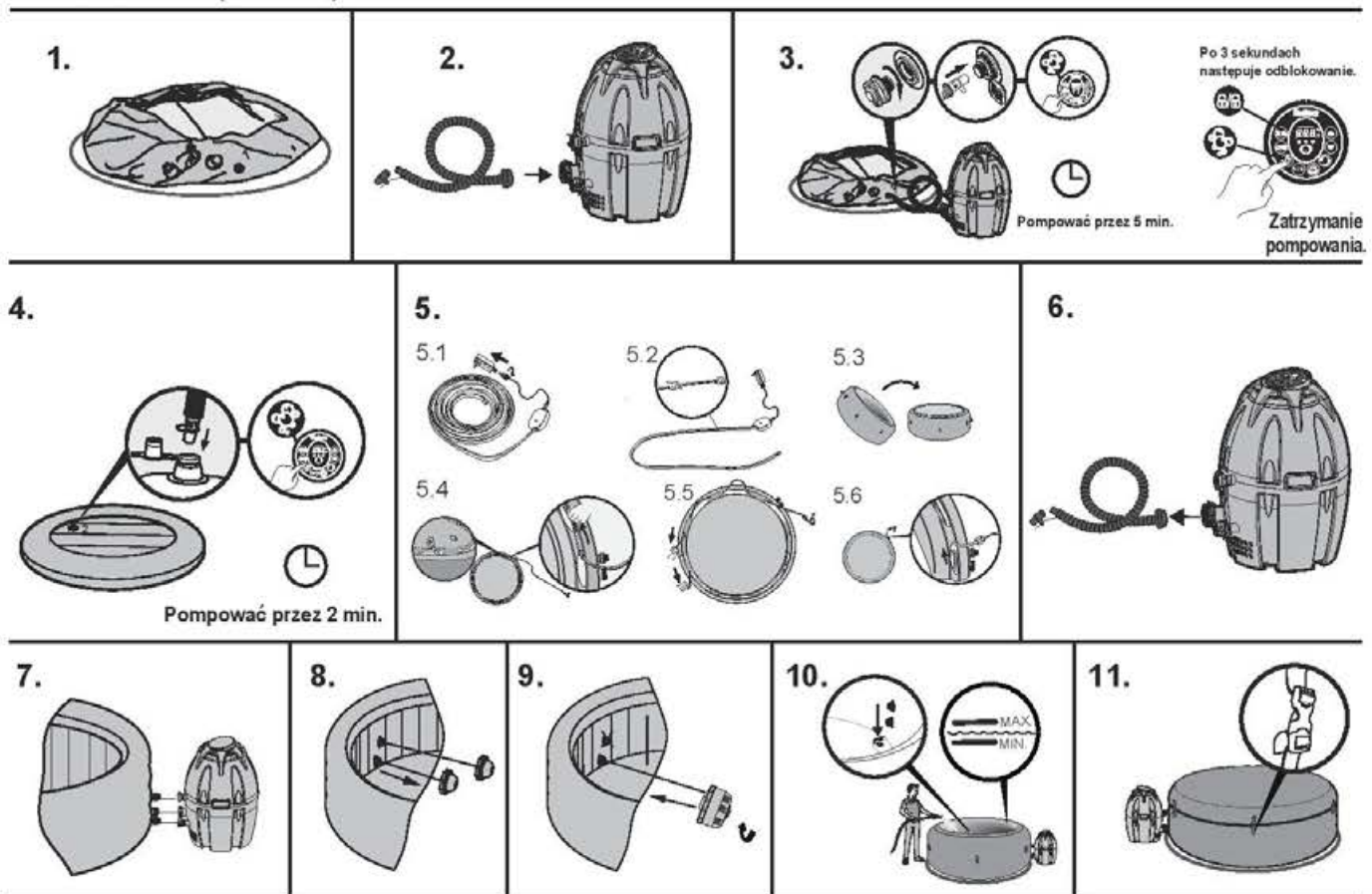




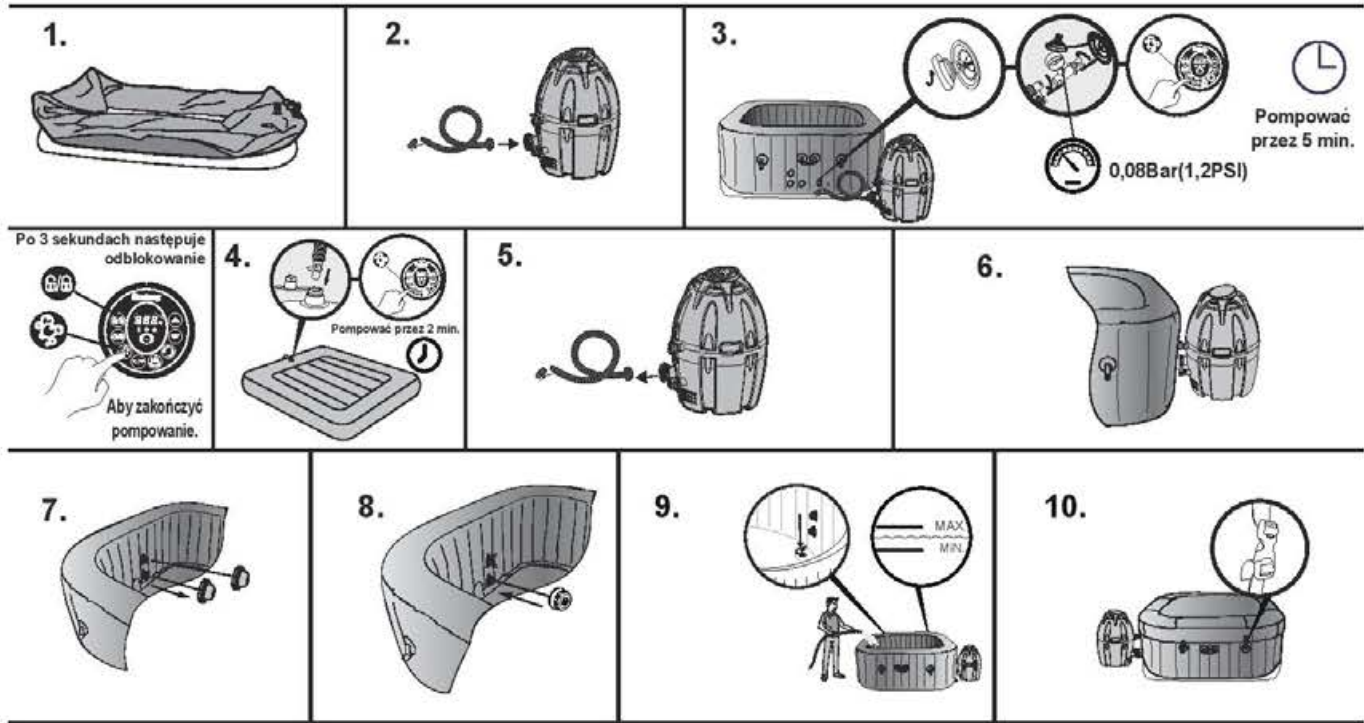
### PALM SPRINGS AirJet (#54129)



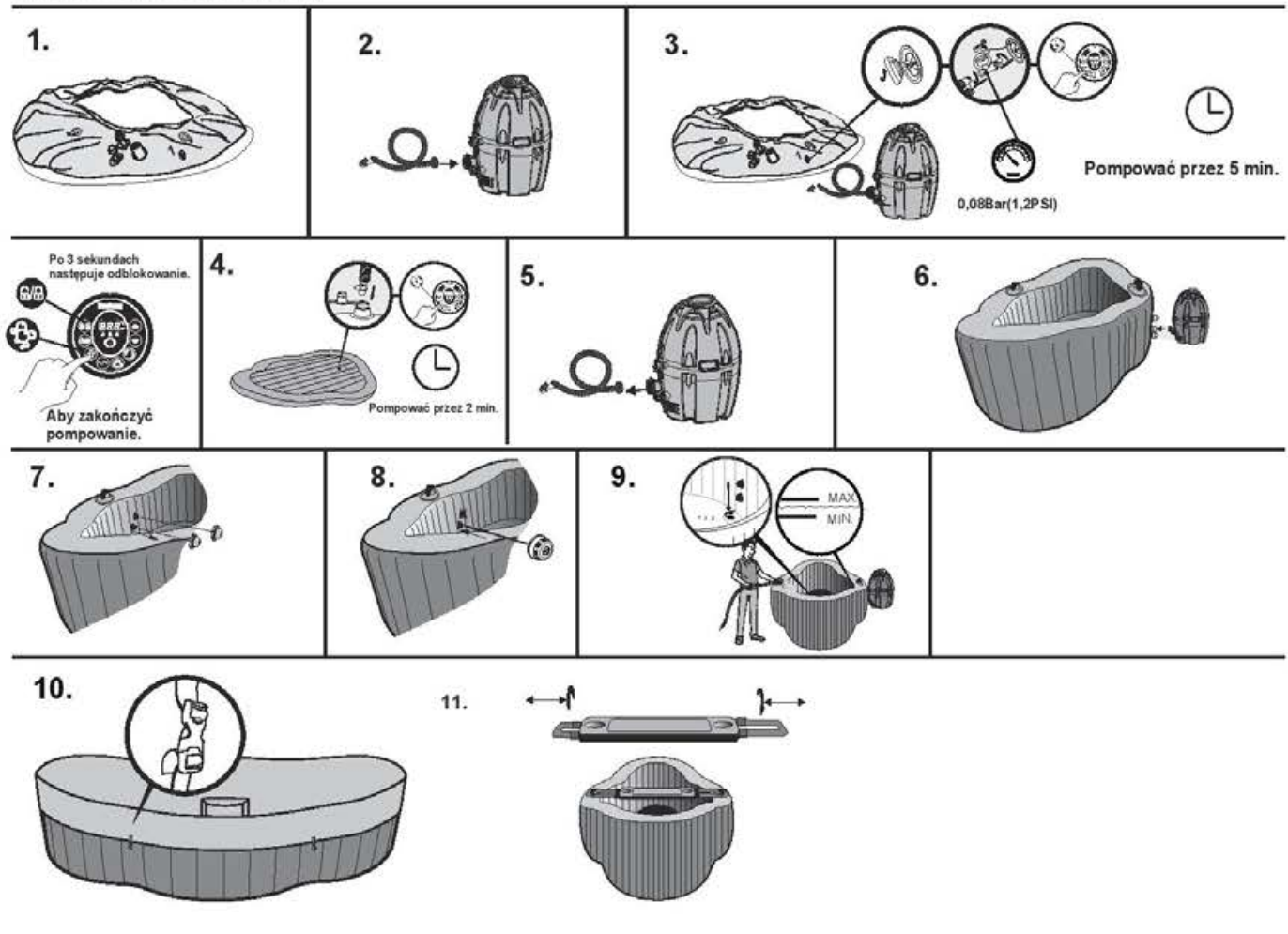
### PARIS AirJet (#54148)



## HAWAII AirJet (#54154)



## SIENA AirJet (#54156)



## OBSŁUGA POMPY

### Reset podgrzewania

Przed pierwszym użyciem Lay-Z-Spa, lub przed jego użyciem po długim okresie nieużywania, należy nacisnąć, przy pomocy niewielkiego, wagiętego przedmiotu, przycisk reset znajdujący się na pompie.

### PRZYCISK RESET

**WAŻNE ZASADY EKSPLOATACJI**  
Jeśli temperatura na panelu sterowania (lub temperatura wody) nie zmieniła się w ciągu 4-5 godzin od aktywacji systemu grzewczego, należy nacisnąć PRZYCISK RESET przy pomocy cienkiego przedmiotu w celu zresetowania systemu grzewczego.

**WAŻNE:** system grzewczy nie będzie działał, jeśli temperatura na zewnątrz wynosi powyżej 40°C (104°F) lub jeśli Lay-Z-Spa wystawiono na bezpośrednie działanie promieni słonecznych. W takiej sytuacji przed naciśnięciem cienkim przedmiotem PRZYCISKU RESET w celu zresetowania systemu grzewczego należy zacząć od chłodniejszej porę dnia.



### A Przycisk zablokowania/odblokowania

Pompa jest wyposażona w 5-minutową automatyczną blokadę. Lampa LED przyciśnięcie w przypadku zablokowania pompy (brak aktywnych funkcji). W celu zablokowania lub odblokowania pompy przytrzymać przycisk zablokowania/odblokowania przez 3 sekundy.

### B Przycisk energooszczędneho timera

Przycisk jest nową funkcją umożliwiającą oszczędzanie energii poprzez ustawianie godziny rozpoczęcia oraz czasu trwania cyklu grzewczego spa. Dzięki niej można korzystać ze spa w dowolnym momencie bez konieczności zostawiania włączonego podgrzewacza.

#### KROK 1: ustawić czas trwania cyklu grzewczego

1. Nacisnąć przycisk , dopóki dioda LED nie zacznie migać.
2. Za pomocą przycisków ustawić czas trwania cyklu grzewczego (od 1 do 48 godz.).
3. Ponownie nacisnąć przycisk , żeby potwierdzić czas trwania cyklu grzewczego.

#### KROK 2: ustawić liczbę godzin OD TERAZ, po której podgrzewacz zostanie uruchomiony

1. Po ustawieniu czasu trwania cyklu grzewczego dioda LED zacznie migać.
2. Za pomocą przycisków ustawić liczbę godzin do aktywacji (od 0 do 99 godz.).
3. Żeby potwierdzić ustawienie, ponownie nacisnąć przycisk lub nie dotykać żadnych przycisków przez 10 sekund. Dioda LED zacznie świecić światłem ciągłym i rozpocznie się odliczanie do uruchomienia podgrzewacza.

**Modyfikowanie ustawień timera:** nacisnąć przycisk i wprowadzić ustawienie za pomocą przycisków .

**Anulowanie ustawienia:** przytrzymać przycisk przez 2 sekundy.

**UWAGA:** po zapisaniu ustawień na ekranie zamiga obecna temperatura oraz pozostały czas.

**UWAGA:** zakres regulacji timera (czasu, przez jaki podgrzewacz będzie włączony) wynosi od 1 do 48 godzin. Zakres regulacji opóźnienia ogrzewania (liczby godzin OD TERAZ, po której podgrzewacz zacznie pracować) wynosi od 0 do 99 godzin. Jeśli na timerze ustawiono 0, system grzewczy uruchomi się natychmiastowo.

Funkcja timera działa jednorazowo — użytkownik ustawia czas trwania cyklu podgrzewania i liczbę godzin, po której cykl się rozpocznie. Funkcja timera NIE zostanie powtórzona, dopóki użytkownik jej nie zresetuje.

### C Przycisk systemu masażu Lay-Z-Massage

Przycisk służy do aktywacji systemu masażu, który wyłącza się automatycznie po 30 minutach. Jeśli system działa, lampka nad przyciskiem Lay-Z-Massage świeci się na czerwono.

**IMPORTANT:** nie należy włączać systemu masażu Lay-Z-Massage, jeśli pokrywa spa jest przymocowana. Może to skutkować nagromadzeniem się pod pokrywą gorącego powietrza, co grozi nieodwracalnym uszkodzeniem produktu i obrażeniami ciała.

**UWAGA:** systemy podgrzewania i masażu działają równocześnie, zapewniając przyjemny, ciepły masaż.



### D Przełącznik Celsjusz/Fahrenheit

Temperatura może być wyświetlana w stopniach Celsjusza lub Fahrenheita.

### E Przycisk ogrzewania

Przycisk służy do aktywacji systemu grzewczego. Jeśli system grzewczy jest aktywny, lampka nad przyciskiem ogrzewania świeci się na czerwono. Jeśli lampka świeci się na zielono, oznacza to, że żądana temperatura wody została osiągnięta i system grzewczy przeszedł w tryb czuwania.

**UWAGA:** aktywowanie systemu grzewczego powoduje automatyczne włączenie systemu filtrującego.

**UWAGA:** wyłączenie systemu grzewczego nie powoduje wyłączenia systemu filtrującego.

### F Przycisk filtra wody

Przycisk włącza i wyłącza pompę filtrującą. Jeśli pompa jest włączona, lampka nad przyciskiem filtra wody świeci się na czerwono.

### G Przyciski regulacji temperatury

Naciśnięcie przycisków zwiększenia lub zmniejszenia temperatury powoduje miganie lampki LED. Można teraz ustawić wybraną temperaturę. Przytrzymanie tych przycisków powoduje szybkie zwiększenie lub zmniejszenie temperatury. Nowa wybrana temperatura będzie wyświetlana przez 3 sekundy w celu potwierdzenia nowej wartości.

**UWAGA:** Temperatura domyślna wynosi 35°C (95°F).

**UWAGA:** Zakres regulacji temperatury wynosi od 20°C (68°F) do 40°C (104°F).

### H Włącznik

Przytrzymać ten przycisk przez 2 sekundy, żeby aktywować przycisk panelu sterowania i zaświeci się zieloną lampkę. Przytrzymać ten przycisk przez 2 sekundy, żeby wyłączyć wszystkie aktywne funkcje.

### I Światło LED energooszczędneho timera

Migająca dioda LED sygnalizuje ustawienie czasu ogrzewania. Lampka się zaświeci, kiedy funkcja ogrzewania zacznie działać.  
Migająca dioda LED sygnalizuje ustawienie liczby godzin OD TERAZ, po której podgrzewacz zacznie pracować. Jeśli lampka się świeci, funkcja energooszczędneho timera jest ustawiona.

### J Wyświetlacz LED

Po włączeniu zasilania wyświetlacz LED wskazuje obecną temperaturę wody.

End Po 72 godzinach filtrowania (bez funkcji energooszczędneho timera) pompa przełączy się w stan czuwania i wyświetlony zostanie komunikat „End” wraz z aktualną temperaturą wody. Podczas stanu czuwania pompy opcje podgrzewania i filtracji wody są niesktywne. Aby odblokować pompę, należy przytrzymać przycisk blokowania/odblokowania przez 3 sekundy.

**UWAGA:** szybkość nagrzewania wody może ulec zmianie w poniższych warunkach:

- Temperatura wody jest niższa niż 15°C (59°F)
- Pokrywa nie jest na miejscu w momencie aktywacji funkcji ogrzewania.

**UWAGA:** w celu wyświetlenia obecnej temperatury wody system musi funkcjonować co najmniej przez jedną minutę. Temperatura wody mierzona zewnętrznym termometrem może różnić się od temperatury wyświetlonej na panelu nawet o 2°C.

## Alarmy

Problemy	Przyczyny	Rozwiązania
<b>E01</b> Czujniki przepływu wody działają bez wosnięcia przycisku filtra lub ogrzewania.	1. Flagi czujników przepływu wody nie powróciły do prawidłowej pozycji. 2. Czujniki przepływu wody są zepsute.	1. Ostrożnie odłączyć wtyczkę, lekko uderzyć ściankę pompy i ponownie podłączyć wtyczkę. 2. Skontaktować się z lokalnym punktem serwisowym Bestway w celu uzyskania instrukcji.
<b>E02</b> Po włączeniu lub podczas operacji filtrowania i/lub ogrzewania czujniki nie wykrywają natężenia przepływu wody.	1. Nie zostały usunięte 2 nakładki uszczelniające znajdujące się wewnątrz basenu. 2. Wkłady filtracyjne są brudne. 3. Włączyć system grzewczy lub system filtracji i przyłożyć dłoń do rury wylotowej wewnątrz basenu w celu sprawdzenia, czy wypływa z niej woda. a. Jeśli woda nie wypływa, pompa jest zepsuta. b. Woda wypływa, ale aktywowany jest alarm  . Czujniki przepływu wody są zepsute.	1. Przed ogrzewaniem wyjąć 2 nakładki uszczelniające zgodnie z opisem w sekcji Montaż instrukcji obsługi. 2. Usunąć z basenu zestaw filtra i nacisnąć przycisk filtra lub ogrzewania. Jeśli nie wyświetli się alarm, wyczyścić lub wymienić wkłady filtra i zamontować ponownie zestaw filtra w basenie. 3. Skontaktować się z lokalnym punktem serwisowym Bestway w celu uzyskania instrukcji.
<b>E03</b> Termometr pompy odczytuje temperaturę wody niższą niż 4°C (40°F).	1. Temperatura wody jest niższa niż 4°C (40°F). 2. Jeśli temperatura wody jest wyższa niż 7°C (44,6°F), termometr pompy nie działa.	1. Spa nie zostało zaprojektowane do pracy w temperaturze wody niższej niż 4°C (40°F). Odłączyć pompę od prądu i uruchomić ją ponownie, gdy temperatura wody osiągnie 6°C (43°F) lub wyższą. 2. Skontaktować się z lokalnym punktem serwisowym Bestway w celu uzyskania instrukcji.
<b>E04</b> Termometr pompy odczytuje temperaturę wody wyższą niż 50°C (122°F).	1. Temperatura wody jest wyższa niż 50°C (122°F). 2. Jeśli temperatura wody jest niższa niż 45°C (113°F), termometr pompy nie działa.	1. Spa nie zostało zaprojektowane do pracy w temperaturze wody wyższej niż 40°C (104°F). Odłączyć pompę od prądu i uruchomić ją ponownie, gdy temperatura wody osiągnie 38°C (100°F) lub poniżej. <b>Ważne:</b> przed ponownym uruchomieniem pompy nacisnąć przycisk reset. 2. Skontaktować się z lokalnym punktem serwisowym Bestway w celu uzyskania instrukcji.
<b>E05</b> Występują problemy ze złączami termometru pompy.	1. Złącza termometru pompy nie działają prawidłowo. 2. Termometr pompy jest zepsuty.	Skontaktować się z lokalnym punktem serwisowym Bestway w celu uzyskania instrukcji.
<b>E08</b> Ręczny reset, problem z wyłącznikiem termicznym.	Ręczny reset, wyłącznik termiczny się zaciął.	1. Odłączyć pompę i wcisnąć przycisk reset, a następnie na nowo podłączyć pompę. 2. Jeśli alarm nie został wyłączony, odnieść się do części PRZYCISK RESET w instrukcji obsługi. 3. Skontaktować się z lokalnym punktem serwisowym Bestway w celu uzyskania instrukcji.

## KONSERWACJA

**UWAGA:** od czasu do czasu spa będzie wymagało dopompowania. Różnice temperatury między porą dzienną a nocną powodują zmiany ciśnienia w spa i mogą prowadzić do ubywania powietrza. Przed dopompowaniem spa do wymaganego ciśnienia należy zastosować się do instrukcji opisanych w sekcji Montaż i opróżnić spa.

**OSTROŻNIE:** PRZED ROZPOCZĘCIEM JAKICHKOLWIEK PRAC KONSERWACYJNYCH NALEŻY UPEWNIĆ SIĘ, ŻE POMPA JEST ODLĄCZONA. W PRZECIWNYM WYPADKU ISTNIEJE RYZYKO CIĘŻKICH OBRAŹEN LUB ŚMIERCI

### Konserwacja wkładu filtra

**UWAGA:** w celu utrzymania czystości wody należy codziennie sprawdzać i czyścić wkłady filtra zgodnie z poniższymi wskazówkami.  
**UWAGA:** zalecamy wymianę wkładu filtra co tydzień oraz w przypadku, gdy jest on zabrudzony lub odbarwiony

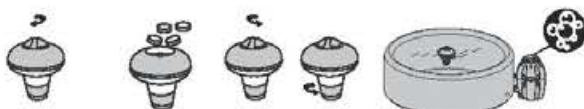


### Uzdatnianie wody

Należy utrzymywać wodę w spa czystą i dbać o zachowanie jej chemicznej równowagi. Dla zapewnienia odpowiednich parametrów jakości wody nie wystarczy zwykłe czyszczenie filtra. Zalecamy stosowanie chemii basenowej i pływaków chemicznych z chlorowymi/bromowymi tabletkami (nie z granulatem). Zgodnie z instrukcją woda powinna być zmieniana mniej więcej co 3 dni. Informacje zawarte w instrukcji zostały zamieszczone wyłącznie w celach informacyjnych; na jakość wody wpływa częstotliwość użycia spa, liczba użytkowników i stosowane procedury uzdatniania wody.

**Uwaga:** We recommend you take a shower before using your Lay-Z-Spa, as cosmetic products, lotions, and other residues on the skin can quickly degrade water quality. To use the chemical floater, please follow the below instruction.

Użycie tabletek chemicznych (brak w zestawie)



**UWAGA:** przed użyciem spa wyjąć pływak chemiczny.  
**WAŻNE:** po chemicznym uzdatnianiu wody, a przed skorzystaniem ze spa, należy użyć zestawu testowego (brak w zestawie) w celu sprawdzenia jakości wody.

Użycie płynu chemicznego (brak w zestawie)



pH	Zasadowość	Chlor Wolny
7,4-7,6	80-120 ppm	2-4 ppm

**UWAGA:** uszkodzenia spowodowane brakiem chemicznej równowagi nie stanowią podstawy do roszczenia gwarancji. Basenowe środki chemiczne są potencjalnie toksyczne i powinny być używane z rozwagą. Wdychanie oparów chemicznych, nieodpowiednie etykietowanie i nieodpowiednie przechowywanie pojemników zawierających substancje chemiczne może stanowić poważne zagrożenie zdrowia. Prosimy o kontakt z lokalnym dostawcą środków chemicznych w celu uzyskania informacji na temat chemicznego uzdatniania wody. Należy ściśle stosować się do zaleceń producenta środka chemicznego. Uszkodzenie spa spowodowane nieodpowiednim użyciem środków chemicznych i niewłaściwą gospodarką uzdatniania wody nie stanowi podstawy do roszczenia gwarancji.

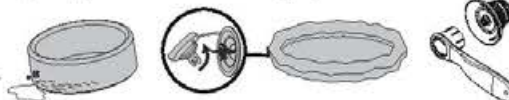
### Regulacja zaworu powietrza (tylko w #54113 #54129 #54154 #54156 Only)

W przypadku wyseku powietrza sprawdzić zawór. Pokryć zawór powietrza wodą z mydłem. Jeśli wydostaje się z niego powietrze, użyć dołączonego klucza w celu dokręcenia zaworu zgodnie z poniższymi krokami:

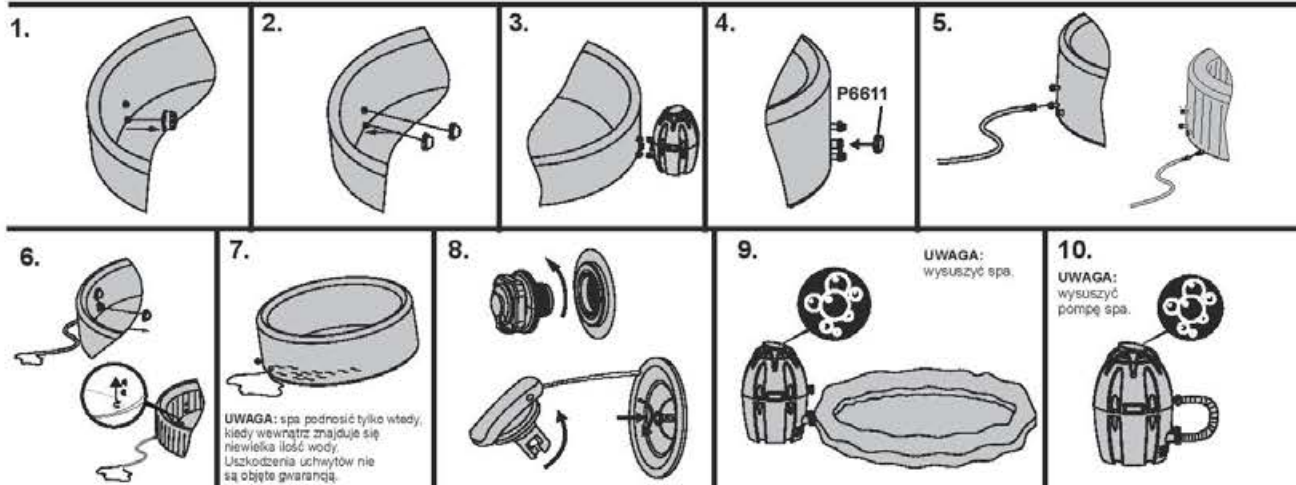
• Jedną ręką przytrzymać tył zaworu powietrza od wewnętrznej strony ściany spa i obracać klucz w kierunku zgodnym z ruchem wskazówek zegara.

### UWAGA:

1. Nie dokręcać zbyt mocno.
2. Zawsze dokładnie sprawdzać zawór powietrza przed użyciem.
3. Nie regulować złącza zaworu powietrza, kiedy spa jest w użyciu.



## Opróżnianie spa



## Czyszczenie spa

Pozostałości środków czyszczących i rozpuszczone substancje stałe pochodzące ze strojów kąpielowych i środków chemicznych mogą osadzać się na ściankach spa. Czyścić ścianki spa przy pomocy wody z mydłem i dokładnie spłukiwać wodą.

**UWAGA:** NIE używać twardych szczotek ani innych szorstkich przedmiotów czyszczących.

### Naprawa spa

Dla spa #54112, #54123, #54148 z dmuchaną pokrywą.

Jeśli spa jest rozdzierane lub przedziurawione, użyć do naprawy załączonej łatki.

1. Wyczyścić powierzchnię przeznaczoną do naprawy.
2. Ostrożnie odkleić łatkę.
3. Docisnąć łatkę do powierzchni przeznaczonej do naprawy.
4. Odczekać 30 sekund przed napompowaniem.

Dla spa #54113, #54129, #54154, #54156 (bez dmuchanej pokrywy)

Jeśli spa jest rozdzierane lub przedziurawione, użyć do naprawy kleju i łatki z PVC (brak w zestawie), postępując zgodnie z poniższymi krokami:

1. Wyczyścić i wysuszyć powierzchnię przeznaczoną do naprawy.
2. Z dołączonego PVC wyciąć łatkę pożądanego rozmiaru.
3. Pokryć jedną stroną wyciętej łatki klejem (brak w zestawie). Upewnić się, że klej został równomiernie rozprowadzony.
4. Odczekać 30 sekund i umieścić pokrytą klejem łatkę w miejscu uszkodzenia.
5. Wygładzić ewentualne bąbelki powietrza powstałe pod łatką i przycisnąć ją mocno przez dwie minuty.
6. Produkt jest ponownie gotowy do użycia. Powtórz ten proces w przypadku powstania kolejnych uszkodzeń.
7. Odczekać 30 minut przed nadmuchianiem.

## Przechowywanie Lay-Z-Spa

Upewnić się, że spa i pompa są całkowicie suche. Jest to konieczne dla wydłużenia żywotności spa. Zalecamy użycie pompy do wysuszenia spa, pompy i rur. Usunąć zestawy filtrów i wyrzucić zużyte wkłady filtra. Włożyć ponownie nakładki uszczelniające w zawory wlewu i odpływu spa. Zaleca się przechowywanie w oryginalnym opakowaniu, w suchym, ciepłym miejscu.

**UWAGA:** plastik wystawiony na działanie temperatur ujemnych staje się kruchy i podatny na łamanie. Zamrożenie może poważnie uszkodzić spa. Niewłaściwe przechowywanie spa w okresie zimowym może spowodować utratę gwarancji.

### Utilizacja



Znaczenie symbolu przekreślonego kosza na śmieci. Nie wyrzucaj urządzeń elektrycznych razem z niesegregowanymi odpadami komunalnymi, używaj w tym celu oddzielnych pojemników. Skontaktuj się z lokalnymi władzami w celu uzyskania informacji na temat dostępnych systemów zbiórki. Składowanie elektrycznych urządzeń na składowiskach czy wysypiskach śmieci może powodować przedostanie niebezpiecznych substancji do wód gruntowych i przedostawanie się ich do łańcucha pokarmowego, co zagraża Twojemu zdrowiu i dobremu samopoczuciu. W przypadku wymiany starych urządzeń na nowe, sprzedawca jest prawnie zobowiązany do odebrania starego urządzenia w celu jego utylizacji, co najmniej za darmo.

## ROZWIĄZYWANIE PROBLEMÓW Bestway dąży do zapewniania najbardziej bezproblemowych spa na rynku.

W razie jakichkolwiek problemów prosimy o kontakt z Bestway lub z autoryzowanym sprzedawcą. Poniżej zamieszczono wskazówki pomocne w wykryciu i rozwiązaniu najczęstszych problemów.

Problemy	Możliwe przyczyny	Rozwiązania
Pompa nie działa.	<ul style="list-style-type: none"> <li>- Awaria zasilania.</li> <li>- Obwód zasilania został przerwany.</li> </ul>	<ul style="list-style-type: none"> <li>- Sprawdzić źródło zasilania.</li> <li>- Skontaktować się z serwisem posprzedażowym Bestway w celu uzyskania instrukcji.</li> </ul>
Pompa nie ogrzewa prawidłowo	<ul style="list-style-type: none"> <li>- Ustawiona temperatura jest zbyt niska</li> <li>- Brudny wkład filtra</li> <li>- Wylącznik termiczny zadziałał.</li> <li>- Spa nie jest przykryte.</li> <li>- Awaria elementu grzewczego lub zadziałanie bezpiecznika.</li> </ul>	<ul style="list-style-type: none"> <li>- Odnieść się do sekcji opisującej działanie pompy w celu ustawienia wyższej temperatury.</li> <li>- Odnieść się do sekcji opisującej czyszczenie i wymianę wkładu filtra w celu jego wyczyszczenia/wymiany.</li> <li>- Odłączyć pompę i umieścić wtyczkę w suchym, chłodnym miejscu. Ponownie uruchomić pompę dopiero wtedy, gdy temperatura wody spadnie do maks. 35°C.</li> <li>- Założyć pokrywę.</li> <li>- Skontaktować się z serwisem posprzedażowym Bestway w celu uzyskania instrukcji.</li> </ul>
System Lay-Z-Massage nie działa.	<ul style="list-style-type: none"> <li>- Pompa powietrza się przegrzewa.</li> <li>- System Lay-Z-Massage wyłącza się automatycznie.</li> <li>- Pompa powietrza jest zepsuta.</li> </ul>	<ul style="list-style-type: none"> <li>- Odłączyć pompę od źródła zasilania i zacząć dwie godziny, aby ostygła. Podłączyć na nowo wtyczkę i nacisnąć przycisk systemu masażu Lay-Z-Massage.</li> <li>- Nacisnąć przycisk systemu masażu Lay-Z-Massage w celu jego ponownej aktywacji.</li> <li>- Skontaktować się z serwisem posprzedażowym Bestway w celu uzyskania instrukcji.</li> </ul>
Adaptory pompy nie znajdują się na poziomie adapterów spa.	<ul style="list-style-type: none"> <li>- Jedną z charakterystycznych cech PVC jest to, że zmienia kształt, co jest normalne.</li> </ul>	<ul style="list-style-type: none"> <li>- Podnieść pompę przy pomocy kawałka drewna lub innego rodzaju materiału izolacyjnego w celu wyrównania poziomu adapterów pompy z adapterami spa.</li> </ul>
Spa przecieka.	<ul style="list-style-type: none"> <li>- Spa jest rozdarte lub przekłute.</li> <li>- Zawór powietrza jest poluzowany.</li> </ul>	<ul style="list-style-type: none"> <li>- Użyć dołączonej łąty naprawczej.</li> <li>- Pokryć zawór powietrza wodą z mydłem. Jeśli wydostaje się z niego powietrze, użyć dołączonego klucza w celu dokręcenia zaworu zgodnie z poniższymi krokami: <ul style="list-style-type: none"> <li>1. Spuścić powietrze ze spa.</li> <li>2. Jedną ręką przytrzymać tył zaworu powietrza od wewnętrznej strony ściany spa i obracać klucz w kierunku zgodnym z ruchem wskazówek zegara.</li> </ul> </li> </ul>
Woda jest brudna.	<ul style="list-style-type: none"> <li>- Zbyt krótki okres filtracji.</li> <li>- Brudny wkład filtra.</li> <li>- Nieodpowiednie uzdatnianie wody.</li> </ul>	<ul style="list-style-type: none"> <li>- Wydłużyć czas filtracji.</li> <li>- Wyczyścić/wymienić wkład filtra (więcej informacji w sekcji Czyszczenie i wymiana wkładu filtra).</li> <li>- Należy stosować się do zaleceń producenta środka chemicznego.</li> </ul>
Test wyłącznika różnicowoprądowego zakończony niepowodzeniem.	Awaria spa.	Skontaktować się z serwisem posprzedażowym Bestway w celu uzyskania instrukcji.
Panel sterowania.	<ul style="list-style-type: none"> <li>- Panel sterowania jest wyposażony w automatyczną blokadę aktywowaną po 5 minutach bezczynności. Na wyświetlacz LED jest jedna ikona:  jeśli ikona blokady jest podświetlona, panel sterowania jest zablokowany.</li> <li>- Panel sterowania jest nieaktywny.</li> </ul>	<ul style="list-style-type: none"> <li>- Aby odblokować panel sterowania, przytrzymać przycisk  przez 3 sekundy. Jeśli panel sterowania jest wciąż zablokowany, należy ponownie uruchomić pompę przez odłączenie od zasilania i ponowne podłączenie.</li> <li>- Przytrzymać wyłącznik przez 2 sekundy. Jeśli problem nie mija, skontaktować się z serwisem posprzedażowym Bestway w celu uzyskania instrukcji.</li> </ul>
Jakie substancje chemiczne powinny być stosowane do konserwacji wody?	Należy skontaktować się z lokalnym dostawcą środków chemicznych w celu uzyskania informacji o konserwacji chemicznej. Należy ściśle stosować się do zaleceń producenta środka chemicznego.	
Woda wycieka z adapterów między pompą i spa.	Założyć dwie nakładki uszczelniające na odpływy spa, aby zapobiec wypłynięciu wody, i odłączyć pompę. Upewnić się, że uszczelki są prawidłowo umieszczone wewnątrz adapterów pompy. W razie braku lub nieprawidłowego zainstalowania uszczelki należy się skontaktować z serwisem posprzedażowym Bestway w celu uzyskania instrukcji. Jeśli uszczelki są prawidłowo umieszczone, podłączyć pompę do spa i ręcznie dokręcić adaptory.	

# Ograniczona gwarancja producenta BESTWAY®

Zakupiony przez Państwa produkt jest objęty ograniczoną gwarancją. Bestway® stoi za gwarancją jakości i zapewnia, dzięki gwarancji wymiany, że produkt jest wolny od wad producenta.

W celu zgłoszenia gwarancyjnego należy dostarczyć do Centrum Serwisowego Bestway poniższy, wypełniony formularz oraz kopię dowodu zakupu. Przed wysłaniem jakichkolwiek dokumentów prosimy o kontakt z najbliższym Centrum Obsługi Klienta. Uzyskają Państwo tam pełnych instrukcji dotyczących wymogów niezbędnych dla zgłoszenia reklamacyjnego. Bestway® nie wymieni produktów, które uzna za zaniedbane lub użyte w sposób niezgodny z zaleceniami zamieszczonymi w instrukcji obsługi.

Gwarancja Bestway obejmuje wady produkcji odkryte podczas rozpakowywania produktu lub podczas jego użytkowania w sposób zgodny z instrukcją obsługi. Niniejsza gwarancja odnosi się wyłącznie do produktów niemodyfikowanych przez strony trzecie. Produkt musi być przechowywany i obsługiwany zgodnie z zaleceniami technicznymi.

Gwarancja nie obejmuje uszkodzeń spowodowanych niewłaściwym użytkowaniem, nadużyciem, zaniedbaniem, wkluczając, ale nie ograniczając się do uderzenia, pożaru, użycia nieprawidłowego napięcia, nadmiernej ekspozycji na ciepło, niewłaściwego montażu, niewłaściwego okablowania lub testów, czy nieprawidłowego przechowywania.

Wymiana i naprawa nie przedłużają okresu gwarancji. Gwarancja obowiązuje od daty zakupu ukazanej na paragonie/fakturze.

Wybierz Twoje SPA



DO: Dział Obsługi Bestway®

Data zakupu: \_\_\_\_\_

DATA: \_\_\_\_\_

Kod klienta: \_\_\_\_\_

FAKS/E-MAIL/TEL: Prosimy o odniesienie się do właściwego kraju, na podstawie informacji znajdujących się na tylnej okładce lub na naszej stronie internetowej: [www.bestwaycorp.com](http://www.bestwaycorp.com)

Prosimy o podanie dokładnych danych adresowych. **Uwaga:** Niepełne dane adresowe mogą powodować opóźnienia w przesyłkach. Bestway zastrzega sobie prawo do obciążenia adresata kosztami ponownej dostawy przesyłek, jeśli dostawa została uniemożliwiona z winy odbiorcy.

## WYMAGANE INFORMACJE - PROSIMY O WPISANIE ADRESU DOSTAWY

Nazwisko: \_\_\_\_\_ Adres: \_\_\_\_\_

Kod pocztowy: \_\_\_\_\_ Dostawca: \_\_\_\_\_

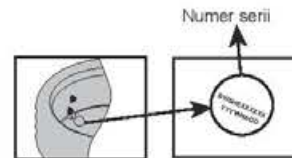
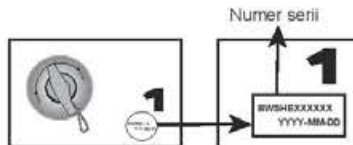
Państwo: \_\_\_\_\_ Miasto: \_\_\_\_\_

Tel. komórkowy: \_\_\_\_\_ Telefon: \_\_\_\_\_

Faks: \_\_\_\_\_ E-mail: \_\_\_\_\_

POMPA SPA Numer serii: \_\_\_\_\_ Basen SPA Numer serii: \_\_\_\_\_

POMPA SPA Kod produktu: \_\_\_\_\_



LAY-Z-SPA Vegas / Paris

Rysunki zostały zamieszczone wyłącznie w celach ilustracyjnych. Nie wykonane w skali.

### Opis problemu

- |  |  |  |
|--|--|--|
| <input type="radio"/> Spa przecieka  | <input type="radio"/> Nie działa system filtracji wody   | <input type="radio"/> Nie działa system grzewczy             |
| <input type="radio"/> Panel kontrolny wyświetla błąd, którego nie da się rozwiązać | <input type="radio"/> Adapter przecieka  | <input type="radio"/> System masażu Lay-Z-Massage nie działa |
| <input type="radio"/> Pompa przecieka  | <input type="radio"/> Brakujące części - Prosimy o wstawienie kodu brakującej części, można go znaleźć w instrukcji obsługi. |  |
| <input type="radio"/> Inne (prosimy opisać)  |  |  |

WAŻNE: ZOSTANIE WYMIENIONY TYLKO ZNISZCZONY ELEMENT, NIE CAŁY ZESTAW.

Bestway zastrzega sobie prawo do zażądania fotograficznych dowodów wadliwych części lub do zażądania zwrotu uszkodzonego elementu w celu przeprowadzenia dodatkowych testów.

Dla zapewnienia Państwu lepszego wsparcia potrzebujemy kompletnych informacji.

W CELU ZAPOZNANIA SIĘ Z NAJCZĘŚCIEJ ZADAWANYMI PYTANIAMI, INSTRUKCJAMI OBSŁUGI, FILMAMI CZY W CELU ZAKUPU CZĘŚCI ZAMIENNYCH PROSIMY O ODWIEDZENIE NASZEJ STRONY INTERNETOWEJ [www.bestwaycorp.com](http://www.bestwaycorp.com)  
FILMY DOSTĘPNE SĄ RÓWNIEŻ W NASZYM KANALE BESTWAY NA YOU TUBE: [www.youtube.com/user/BestwayService](http://www.youtube.com/user/BestwayService)

# Bestway

# TARTALOMJEGYZÉK

Látogassa meg a Bestway YouTube-csatornáját

1. Biztonsági utasítások .....	P167	5. Karbantartás .....	P179
2. Műszaki adatok .....	P170	A szűrőkazetta karbantartása	
3. Felállítás .....	P173	Vízkarbantartás	
A kiválasztott hely		A légszelep beállítása	
Szivattyúteszt		A fürdő leeresztése	
		A fürdő tisztítása	
4. A szivattyú használata .....	P178	Fürdőjavítás	
A fűtés visszaállítása		A Lay-Z-Spa tárolása	
A kezelőpanel		Ártalmatlanítás	
Riasztások		6. Hibaelhárítás .....	P180
		7. Garancia .....	P181



## BIZTONSÁGI UTASÍTÁSOK

Az elektromos berendezés telepítése és használata során mindig be kell tartani az alapvető biztonsági óvjintézkedéseket, ideértve a következőket:

**FONTOS BIZTONSÁGI UTASÍTÁSOK – MINDEN UTASÍTÁST OLVASSON EL, ÉS TARTSA BE AZ AZOKBAN FOGLALTAKAT.**

### FIGYELMEZTETÉS:

- A fürdőmedencét maradékáram-működtetésű megszakítóval (RCD) rendelkező hálózati áramellátásról kell működtetni, a névleges üzemi maradékáram pedig nem haladhatja meg a 30 mA-t.
- A szivattyút minden használat előtt ellenőrizni kell. Az ellenőrzéssel kapcsolatosan tartsa be a szivattyú útmutatójában foglaltakat.
- A tápkábel sérülése esetén a sérült kábelt a veszély elkerülése érdekében a gyártóval, a gyártó szervizügynökségével vagy hozzájuk hasonlóan képzett személlyel le kell cseréltetni.
- Az áramütésveszély csökkentése érdekében az egység elektromos hálózathoz való csatlakoztatásához ne használjon hosszabbítót, hanem gondoskodjon megfelelően elhelyezett aljzatról.
- Használat közben a berendezés semelyik része sem lehet a fürdő fölött elhelyezve.
- Az áram alatti részeket tartalmazó részegységekhez – a 12 V-ot nem meghaladó biztonsági, extra alacsony feszültséggel ellátott részegységek kivételével – a fürdőmedencében tartózkodó személyek semmiképpen sem férhetnek hozzá; az elektromos részegységeket – a távvezérlő készülékek kivételével – úgy kell elhelyezni, illetve rögzíteni, hogy azok ne eshessenek a fürdőmedencébe.
- A fürdőmedencét földelt áramforrásra kell csatlakoztatni.
- **Figyelmeztetés: Mindig tartsa a dugót szárazon! Nedves dugót a konnektorba dugni szigorúan tilos!**
- Fontos, hogy a fürdőmedence felállítását követően a dugalj hozzáférhető legyen.  
**VIGYÁZAT:** A hőmegszakító véletlen visszakapcsolása miatti veszély elkerülése érdekében a készülék nem látható el árammal külső kapcsolóberendezésről (pl. időzítő), illetve nem köthető be olyan áramkörbe, melyet gyakran kapcsol be és ki a szolgáltató.  
A fürdő 3–5 évnyi használata után annak megfelelő biztonságossága és teljesítménye érdekében hívjon ki egy helyi, képesített karbantartó technikust. Az elektromos egység fő részegységeit (pl. fűtőelem, levegőventilátor-motor és visszacsapószelepek) szakemberrel ellenőriztetni kell, és szükség esetén – szintén szakemberrel – le kell cseréltetni.
- **AZ ÁRAMÜTÉS ELKERÜLÉSE ÉRDEKÉBEN NE HASZNÁLJA ESŐBEN A FÜRDŐMEDENCÉT.**
- Soha ne viseljen a fürdőmedencében kontaktlencsét.
- Ne használja a fürdőmedencét vegyszeres karbantartás közben.
- Az épület fali áramforrásának a medencétől legalább 4 m-re és legalább 1,2 m magasságban kell lennie.
- Hosszabbítókábelek nem használhatók.
- Ne dugja be és ne húzza ki a készülék dugalját nedves kézzel.
- Mindig válassza le a készüléket az áramellátásról:
  - esős időben
  - tisztítás vagy más karbantartás esetén
  - ha szünnapokon felügyelet nélkül hagyja
- A tisztítást és felhasználói karbantartást csak 18 évet betöltött, az elektromos áramütés veszélyeivel tisztában lévő felnőttek végezhetik.
- Ha a készüléket előre láthatólag hosszabb ideig nem fogja használni (pl. télen), a fürdő- vagy medencekészletet szét kell szerelni, és beltérben kell tárolni.
- **VIGYÁZAT:** A készülék használata, illetve (újra)összeszerelése előtt, kérjük, minden alkalommal

olvassa el az útmutatót.

- Őrizze meg az útmutatót biztos helyen. Az útmutató elvesztése esetén, kérjük, vegye fel a kapcsolatot a gyártó vállalattal, vagy keresse meg a következő weboldalon: [www.bestwaycorp.com](http://www.bestwaycorp.com)
- **Figyelmeztetés: Az elektromos biztonság érdekében a tápvezetékbe hordozható kivitelű áram-védőkapcsolós készülék (PRCD készülék) lett beépítve. 10 mA-nél magasabb szivárgó áram esetén a készülék beavatkozik, és megszakítja az áramellátást – ilyen esetben, kérjük, azonnal húzza ki a fürdőt a dugóból, és ne használja tovább. Ne állítsa vissza saját maga a terméket, hanem a termék megjavításához hívja ki a helyi szervizügynökséget.**
- Ez a készülék 8 éves kortól használható, illetve a fizikailag, érzékszervileg vagy szellemileg korlátozott, továbbá a kellő tapasztalattal vagy tudással nem rendelkező személyek a készüléket csak felügyelet mellett, vagy a készülék biztonságos használatával kapcsolatos ismeretek megszerzését és a járulékos veszélyek megértését követően használhatják. A gyermekek nem játszhatnak a készülékkel. A tisztítást és felhasználó által végzendő karbantartást gyermekek csak felügyelettel végezhetik. (EU-s piacra szánt termék esetén)  
Ez a készülék nem használható fizikailag, érzékszervileg vagy szellemileg korlátozott, továbbá a kellő tapasztalattal vagy tudással nem rendelkező személyek (és gyermekek) által, kivéve felügyelet mellett, vagy ha készülék biztonságos használatával kapcsolatosan útmutatást kaptak egy, a biztonságukért felelős személytől. A gyerekeket felügyelni kell, hogy ne játszanak a készülékkel. (EU-n kívüli piacra szánt termék esetén)
- A víz vonzza a gyermekeket – minden használatot követően tegye föl a fürdőmedencére a fedelét.
- Ne temesse be a kábelt! Úgy helyezze el a kábelt, hogy az a lehető legkevésbé legyen kitéve fűnyírónak, sövénynyírónak és más berendezésnek.
- Véletlen fulladás kockázata. Rendkívül oda kell figyelni arra, hogy a gyermekek engedély nélkül ne férhessenek a medencéhez. A balesetek elkerülése érdekében gondoskodjon arról, hogy a gyermekek állandó felügyelet nélkül ne használhassák a fürdőmedencét.
- **SÉRÜLÉSVESZÉLY.** Soha ne működtesse a fürdőmedencét sérült vagy hiányzó bemenő-, illetve kimenőcsövekkel. Soha ne próbálja meg maga kicserélni a bemenő, illetve kimenőcsöveket. Mindig forduljon a legközelebbi Bestway értékesítés utáni szolgálathoz.
- **ÁRAMÜTÉSVESZÉLY.** Az összes fémfelületől legalább 2 m távolságban telepítse.
- **ÁRAMÜTÉSVESZÉLY.** A fürdőmedencében, illetve nedves testtel soha ne működtessen elektromos készülékeket. Soha ne tegyen elektromos készülékeket (pl. lámpa, telefon, rádió vagy televízió) a fürdőmedence 2 m-es környezetébe.
- Terhes nőknél a huzamosabb meleg vízben tartózkodás károsíthatja a magzatot. Ne engedje, hogy a fürdőt egyhuzamban 10 percnél tovább használják.
- **A SÉRÜLÉS VESZÉLYÉNEK CSÖKKENTÉSE ÉRDEKÉBEN:**
  - A fürdőmedence vízhőmérséklete sosem lehet nagyobb, mint 40 °C (104 °F). Felnőttek esetén a 38 ... 40 °C (100 ... 104 °F) közötti vízhőmérséklet számít egészségesnek. Fialat gyermekek, illetve 10 percnél hosszabb fürdőzés esetén ennél alacsonyabb vízhőmérséklet javasolt.
  - Tekintettel arra, hogy a túl magas vízhőmérséklet a terhesség első hónapjaiban a magzat károsodását okozhatja, a terhes vagy elképzelhetően terhes nőknél a fürdőmedence vízhőmérsékletet 38 °C-ra (100 °F) kell korlátozni.
  - A fürdőmedencébe való beszállás előtt a felhasználónak pontos hőmérővel meg kell mérnie a vízhőmérsékletet, mivel a vízhőmérséklet-szabályozó tőrés eltérő lehet.
  - A fürdőmedence-használat előtti alkohol- vagy drogfogyasztás, illetve gyógyszerhasználat öntudatvesztést okozhat, ami fulladáshoz vezethet.
  - Túlsúlyos, szívbeteg, alacsony vagy magas vérnyomású, keringésrendszer-zavaros, illetve cukorbeteg személyeknek a fürdőmedence használata előtt ki kell kérniük orvosuk véleményét.
  - A gyógyszerrel kezelt személyeknek a fürdőmedence használata előtt ki kell kérniük orvosuk véleményét, mivel egyes gyógyszerek álmoságot okozhatnak, míg mások hatással lehetnek a szívverésre, vérnyomásra, illetve a vérkeringésre
- **A SÉRÜLÉS VESZÉLYÉNEK CSÖKKENTÉSE ÉRDEKÉBEN:** Soha ne töltsön be 40 °C-nál (104 °F) melegebb vizet közvetlenül a fürdőmedencébe.
- Az alkohol- vagy drogfogyasztás, illetve gyógyszerhasználat nagy mértékben növelheti a halállal járó hipertermia veszélyét. Hipertermia akkor következik be, ha a test hőmérséklete több fokkal a 37 °C-os (98,6 °F) normál testhőmérséklet fölé emelkedik. A hipertermia tünetei többek között a test belső hőmérsékletének megnövekedése, szédülés, levertség, álmoság és ájulás. A hipertermia hatása lehet többek között a hő érzékelésének hiánya, a fürdőből történő vagy forró zuhany alóli kiszállás



szükségességének fel nem ismerése, a közelő veszély fel nem ismerése, terhes nők magzatkárosodása, a fürdőből történő vagy forró zuhany alóli kiszállás fizikai megvalósítására való képtelenség, valamint öntudatvesztés, ami fulladáshoz vezethet.

- Az elektromos rendszereknek meg kell felelniük a huzalozásra vonatkozó országos követelményeknek – kérdés esetén forduljon képesített villanszerelőhöz.

### TANÁCSÉRT FORDULJON ORVOSÁHOZ.

#### VIGYÁZAT:

- A fürdőmedencét soha nem szabad 4 °C-nál (40 °F) alacsonyabb hőmérsékletű helyen felállítani, illetve ilyen hőmérsékleten kint hagyni.
- Ne használja a fürdőmedencét, ha egyedül van.
- Fertőző betegségekben szenvedő személyek nem használhatják a fürdőmedencét.
- Ne használja a fürdőmedencét közvetlenül fokozott testmozgás után.
- Mindig lassan, óvatosan szálljon be a fürdőbe, illetve a kiszállást is lassan, óvatosan végezze. A nedves felületek csúszósak.
- A szivattyú károsodásának elkerülése érdekében a fürdőmedencét soha nem szabad működtetni, ha a fürdőmedence nincs vízzel feltöltve.
- Ha kellemetlenül érzi magát, vagy elálmosodik, azonnal szálljon ki a fürdőmedencéből.
- Soha ne a vizet adja a vegyszerekhez. Mindig a vegyszert adja a vízhez, hogy ne keletkezessen erős füst vagy heves reakció, amelyek veszélyes vegyszerszóródást okozhatnak.
- A víz tisztításával, karbantartásával és ártalmatlanításával kapcsolatos tudnivalókért lásd a „KARBANTARTÁS” c. részt.
- A telepítéssel kapcsolatos tudnivalókért lásd az útmutató alábbi bekezdését.

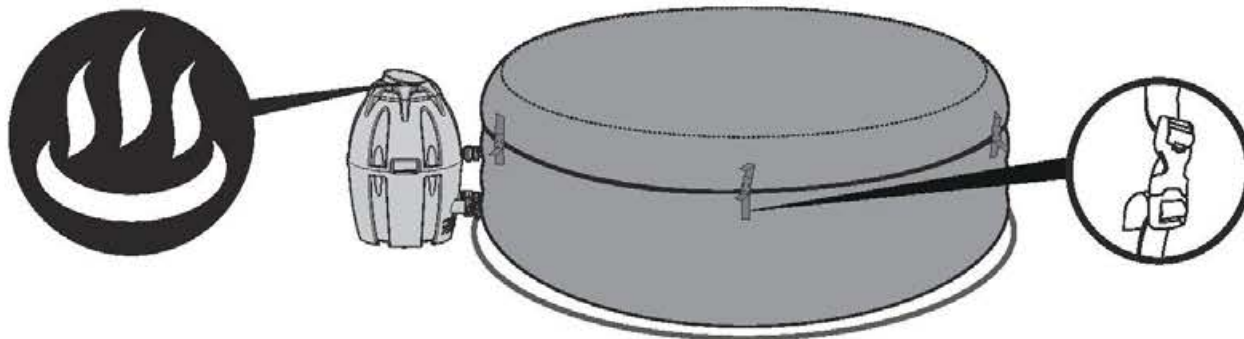
#### MEGJEGYZÉS:

- Kérjük, a használat előtt ellenőrizze a berendezést. Ha sérült vagy hiányzó alkatrészeket talál a vásárlás idején, értesítse a Bestwayt a kézikönyvben felsorolt ügyfélszolgálati címek valamelyikén. Ellenőrizze, hogy a berendezés részegységei a ténylegesen megvásárolni kívánt típusúak.
- A termék nem iparszerű használatra lett tervezve.

## ŐRIZZE MEG EZT AZ ÚTMUTATÓT FONTOS!

A 40 °C-os (104 °F) hőmérséklet eléréséhez szükséges fűtési időtartam a víz kiindulási hőmérsékletétől és a környezeti hőmérséklettől függ. Az alábbi adat csak tájékoztató jellegű. Az aktuális hőmérséklet megjelenítéséhez legalább egy percig futtassa a szűrőrendszert.

Környezeti hőmérséklet	Víz hőmérséklet	Beállított hőmérséklet	Fűtés időtartama
10°C(50°F)	10°C(50°F)	40°C(104°F)	18,5h
15°C(59°F)	15°C(59°F)	40°C(104°F)	15h
20°C(68°F)	20°C(68°F)	40°C(104°F)	11,5h
25°C(77°F)	25°C(77°F)	40°C(104°F)	8,5h
30°C(86°F)	30°C(86°F)	40°C(104°F)	5,5h



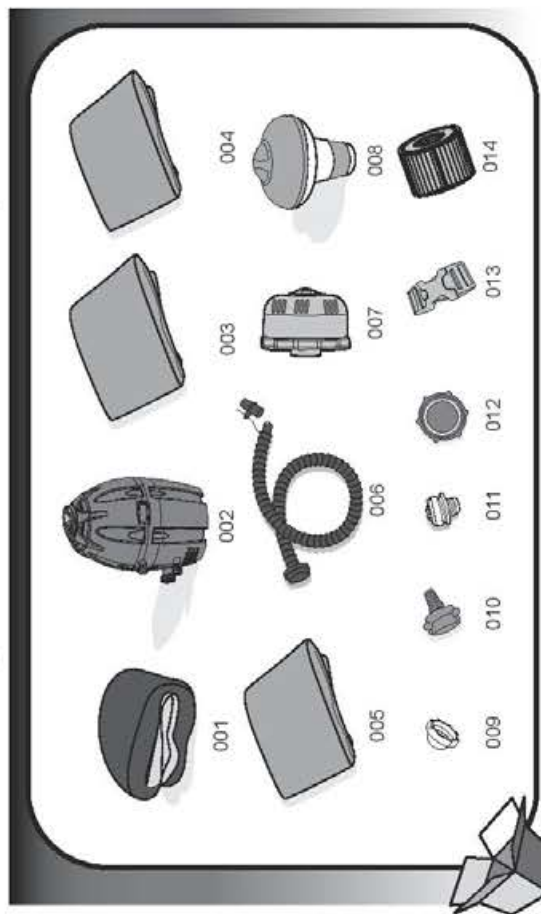
A fűtés funkció bekapcsolásakor mindig ügyeljen arra, hogy a fürdőt a fürdőfedéllel lefedje. A fürdő fedetlenül hagyása megnöveli a szükséges fűtés időtartamát.

Kérjük, ne használja a fürdőt 4 °C-nál (39 °F) alacsonyabb környezeti hőmérséklet esetén.

## A LAY-Z-SPA™ VEGAS AirJet MŰSZAKI ADATAI (#54112)

Kapacitás:	4-6 felnőtt	800W	Gyorsított melegítés:	Kb. 1,5 - 2 °C/óra (3...4 °F/óra)	
Vízbefogadó-képesség (80%):	935 L (247 gal)	Fűtelem:	2000 W 20 °C-on	Tényleges vízáramlás:	1325 L/óra (350 gal/óra)
Felfújási méret:	1,96m x 61cm (77" x 24")	Szivattyú:	50 W-os keringető szűrőszivattyú	Névleges adatok:	220 ... 240 V AC 2050 W 20 °C-on
Töltött tömeg:	966 kg (2130 Lb)	Hőmértéklet-kapacitás:	40°C (104°F)	Üzemi nyomás:	0,8PSI (0,055Bar)

**MEGJEGYZÉS:** A fenti fűtési sebesség 25 °C-os (77 °F) környezeti hőmérsékleten végzett laboratóriumi teszt eredményét tükrözi.



Sorszám	Cikk-kód	Leírás	Menny.
001	54112TASS15	Medencebevonat	1
002	P4-H054ASS17	Fürdőfűtő	1
003	P5H284GASS17	Felső műbőr bevonat	1
004	P5H284TASS17	Műbőr bélbevonat	1
005	54112GASS15	Felfújható fedél	1
006	P6931	Felfújó tömlő	1
007	P6653	Szűrőkészlet	1
008	58426S17	Úszó vegyszeradagoló	1
009	P6675	Zárósapkák	2
010	P6932	Tömőadapter	1
011	F4A024ASS	Csavaros szelep	1
012	P6611	A bevonatadapter	1
013	F6414ASS	Csat	8
014	58323	Szűrőkazetta (VI)	2

## A LAY-Z-SPA™ MONACO AirJet MŰSZAKI ADATAI (#54113)

Kapacitás:	6-8 felnőtt	800W	Gyorsított melegítés:	Kb. 1,0 - 1,5 °C/óra (2...3 °F/óra)	
Vízbefogadó-képesség (80%):	1453 L (384 gal)	Fűtelem:	2000 W 20 °C-on	Tényleges vízáramlás:	1325 L/óra (350 gal/óra)
Felfújási méret:	2,01m x 69cm (79" x 27")	Szivattyú:	50 W-os keringető szűrőszivattyú	Névleges adatok:	220 ... 240 V AC 2050 W 20 °C-on
Töltött tömeg:	1490 kg (3284 Lb)	Hőmértéklet-kapacitás:	40°C (104°F)	Üzemi nyomás:	7PSI-10PSI (0,48Bar-0,69Bar)

**MEGJEGYZÉS:** A fenti fűtési sebesség 25 °C-os (77 °F) környezeti hőmérsékleten végzett laboratóriumi teszt eredményét tükrözi.

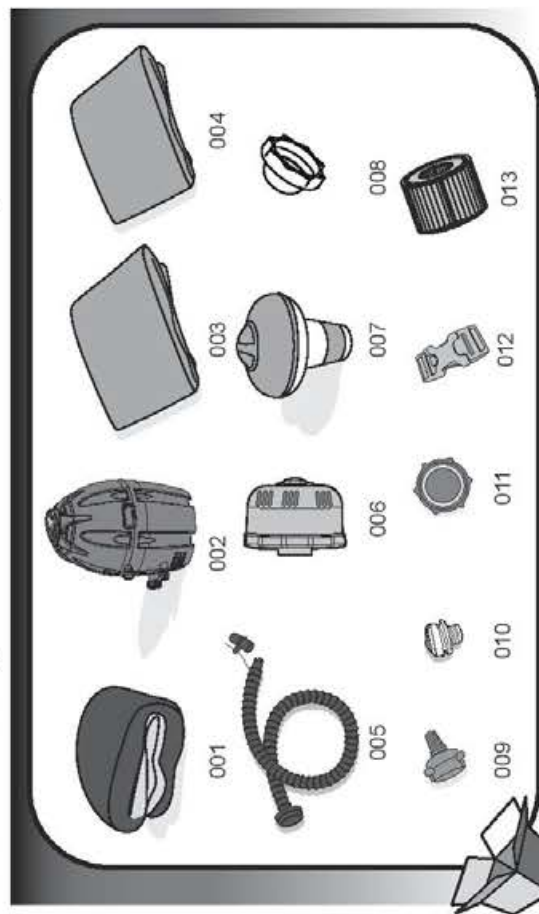


Sorszám	Cikk-kód	Leírás	Menny.
001	54113TASS17	Medencebevonat	1
002	P4D148ASS17	Fürdőfűtő	1
003	P5D288ASS17	Felső műbőr bevonat	1
004	54113GASS17	Felfújható fedél	1
005	P6931	Felfújó tömlő	1
006	P6653	Szűrőkészlet	1
007	58426S17	Úszó vegyszeradagoló	1
008	P3054Q17	Nagyvomású kézipumpa	1
009	F6H189ASS15	Csavarokulcs	1
010	P6675	Zárósapkák	2
011	P6932	Tömőadapter	1
012	P6608	Nyomásmérő	1
013	P6611	A bevonatadapter	1
014	12632ASS15	Felfújó párnák	4
015	P6H-971	Felfújószelep	1
016	F6414ASS	Csat	6
017	58323	Szűrőkazetta (VI)	2

## A LAY-Z-SPA™ MIAMI AirJet MŰSZAKI ADATAI (#54123)

Kapacitás:	2-4 felnőtt	800W	Masszázs-turbóventilátor:	Gyorsított melegítés:	Kb. 1,5 - 2 °C/óra (3...4 °F/óra)
Vízbe fogadó-képesség (80%):	669 L (177 gal)	2000 W/20 °C-on	Fűtőelem:	Tényleges vízáramlás:	1325 L/óra (350 gal/óra)
Felfújási méret:	1,80m x 66cm (71" x 26")	50 W-os keringető szűrőszivattyú	Szivattyú:	Névleges adatok:	220...240 V AC 2050 W/20 °C-on
Töltött tömeg:	696 kg (1534 Lb)	40°C (104°F)	Hőmérséklet-kapacitás:	Üzemi nyomás:	0,8PSI (0,055Bar)

**MEGJEGYZÉS:** A fenti fűtési sebesség 25 °C-os (77 °F) környezeti hőmérsékleten végzett laboratóriumi teszt eredményét tükrözi.

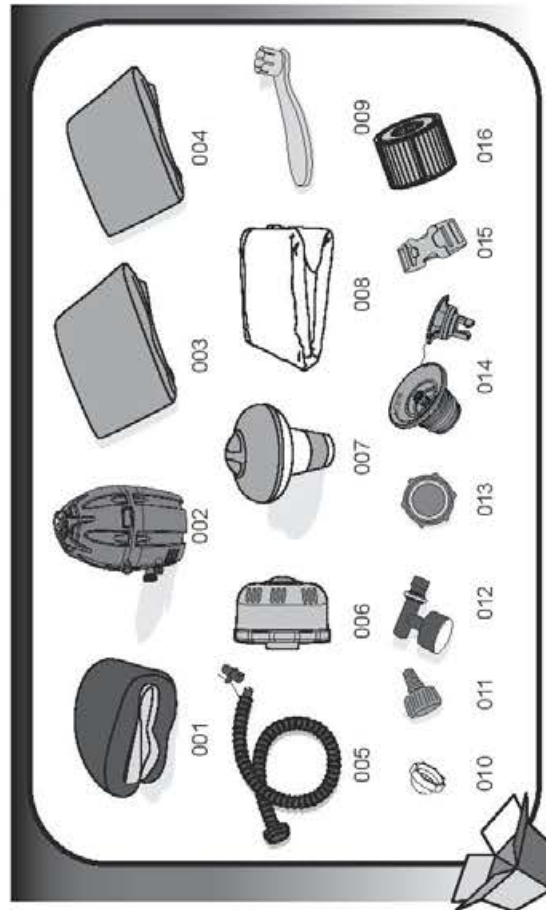


Sorszám	Cikk-kód	Leírás	Menny.
001	54123TASS17	Medencebevonat	1
002	P4H054ASS17	Fürdőfűtő	1
003	P5C364ASS17	Felső merevhőfedél	1
004	54123GASS17	Felfújható fedél	1
005	P6931	Felfújó tömlő	1
006	P6653	Szűrőkészlet	1
007	58426S17	Úszó vegyszeradagoló	1
008	P6575	Zárósapkák	2
009	P6932	Tömítőadapter	1
010	F4024ASS	Csavaros szelep	1
011	P6611	A bevonatadapter	1
012	F6414ASS	Csat	6
013	58323	Szűrőkazetta (VI)	2

## A LAY-Z-SPA™ PALM SPRINGS AirJet MŰSZAKI ADATAI (#54129)

Kapacitás:	4-6 felnőtt	800W	Masszázs-turbóventilátor:	Gyorsított melegítés:	Kb. 1,5 - 2 °C/óra (3...4 °F/óra)
Vízbe fogadó-képesség (80%):	916 L (242 gal)	2000 W/20 °C-on	Fűtőelem:	Tényleges vízáramlás:	1325 L/óra (350 gal/óra)
Felfújási méret:	1,96m x 71cm (77" x 28")	50 W-os keringető szűrőszivattyú	Szivattyú:	Névleges adatok:	220...240 V AC 2050 W/20 °C-on
Töltött tömeg:	954 kg (2103 Lb)	40°C (104°F)	Hőmérséklet-kapacitás:	Üzemi nyomás:	1,2PSI (0,08Bar)

**MEGJEGYZÉS:** A fenti fűtési sebesség 25 °C-os (77 °F) környezeti hőmérsékleten végzett laboratóriumi teszt eredményét tükrözi.

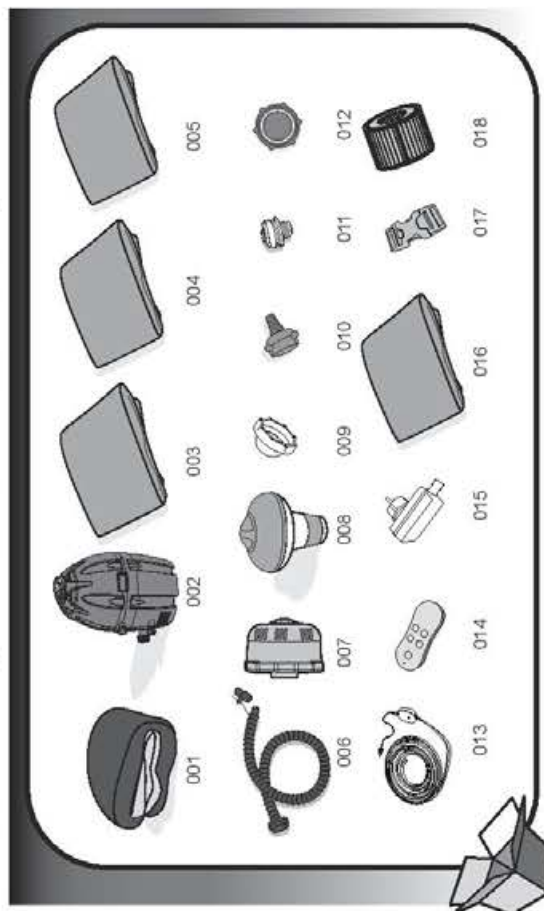


Sorszám	Cikk-kód	Leírás	Menny.
001	54129TASS17	Medencebevonat	1
002	P4E079ASS17	Fürdőfűtő	1
003	P5B401ASS17	Felső műbőr bevonat	1
004	54129GASS17	Felfújható fedél	1
005	P6930	Felfújó tömlő	1
006	P6653	Szűrőkészlet	1
007	58426S17	Úszó vegyszeradagoló	1
008	58321(H)S15	Padlómatrac	1
009	F6H189ASS15	Csavarokulcs	1
010	P6575	Zárósapkák	2
011	P6H565	Tömítőadapter	1
012	P6T199	Nyomásmérő	1
013	P6611	A bevonatadapter	1
014	P6H971	Felfújószelep	1
015	F6414ASS	Csat	6
016	58323	Szűrőkazetta (VI)	2

## A LAY-Z-SPA™ PARIS AirJet MŰSZAKI ADATAI (#54148)

Kapacitás:	4-6 felnőtt	800W	Gyorsított melegítés:	Kb. 1,5...2°C/óra (3...4°F/óra)	
Vízbefogadó-képesség (80%):	808 L (213 gal)	Fűtőelem:	2000 W/20 °C-on	Tényleges vízáramlás:	1325 L/óra (350 gal/óra)
Felfújási méret:	1,96m x 0,66cm (77" x 26")	Szivattyú:	50 W-os keringető szűrőszivattyú	Névleges adatok:	220...240 V AC 2050 W/20 °C-on
Teljes tömeg:	840 kg (1851 Lb)	Hőmérséklet-kapacitás:	40°C (104°F)	Üzemi nyomás:	0,8PSI (0,055Bar)

**MEGJEGYZÉS:** A fenti fűtési sebesség 25 °C-os (77 °F) környezeti hőmérsékleten végzett laboratóriumi teszt eredményét tükrözi.

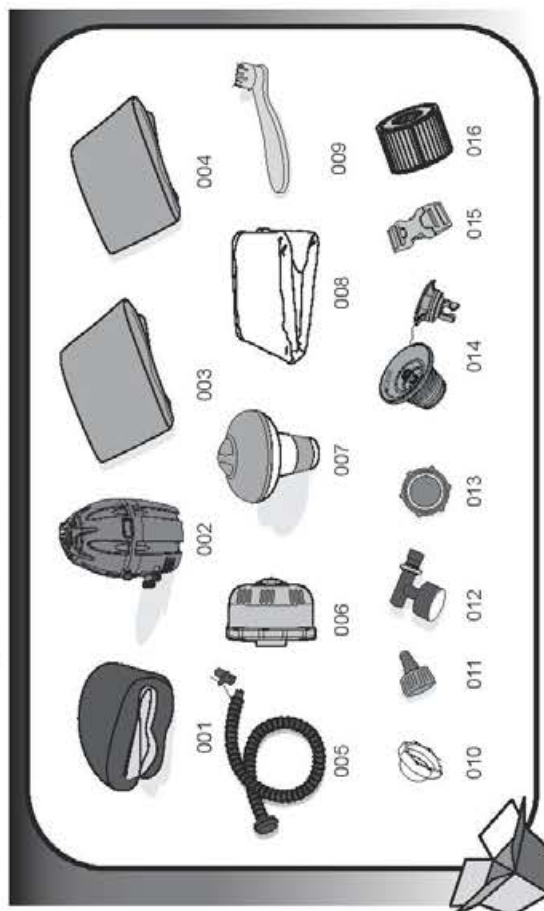


Sorszám	Cikk-kód	Leírás	Menny.
001	54148TASS16	Medencebevonat	1
002	P4H054AASS17	Fürdőfütő	1
003	P5H284GASS17	Felső műbőr bevonat	1
004	P5H513TASS17	Műbőr bélelebevonat	1
005	54148GASS16	Felfújható fedél	1
006	P6931	Felfújó tömlő	1
007	P6653	Szűrőkészlet	1
008	58426S17	Úszó vegyszeradagoló	1
009	P6575	Zárósapkák	2
010	P6932	Tömítődapter	1
011	F4A024AASS	Csavarszelep	1
012	P6611	A bevonatadapter	1
013	P61670	LED csik	1
014	P61232	Távvezérlő	1
015	P61671	Transzformátor	1
016	58321(H)S15	Padlómatrac	1
017	F6414ASS	Csat	8
018	58323	Szűrőkazetta (VI)	2

## A LAY-Z-SPA™ Hawaii AirJet MŰSZAKI ADATAI (#54154)

Kapacitás:	4-6 felnőtt	800W	Gyorsított melegítés:	Kb. 1,5...2°C/óra (3...4°F/óra)	
Vízbefogadó-képesség (80%):	840 L (222 gal)	Fűtőelem:	2000 W/20 °C-on	Tényleges vízáramlás:	1325 L/óra (350 gal/óra)
Felfújási méret:	1,80m x 1,80m x 71cm (71" x 71" x 28")	Szivattyú:	50 W-os keringető szűrőszivattyú	Névleges adatok:	220...240 V AC 2050 W/20 °C-on
Teljes tömeg:	879 kg (1938 Lb)	Hőmérséklet-kapacitás:	40°C (104°F)	Üzemi nyomás:	1,2PSI (0,08Bar)

**MEGJEGYZÉS:** A fenti fűtési sebesség 25 °C-os (77 °F) környezeti hőmérsékleten végzett laboratóriumi teszt eredményét tükrözi.

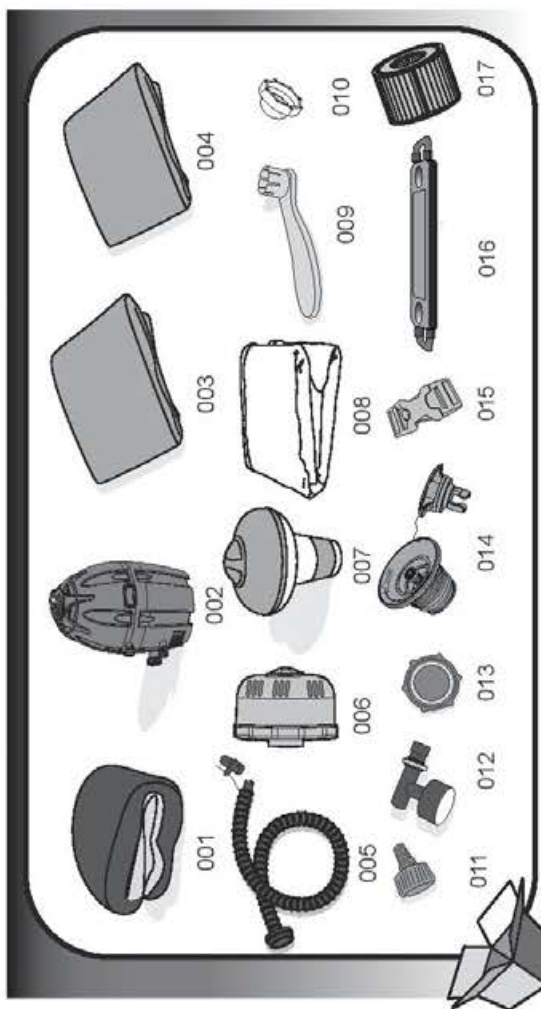


Part N.	Cikk-kód	Leírás	Menny.
001	54154TASS17	Medencebevonat	1
002	P4D148AASS17	Fürdőfütő	1
003	P5D588GASS17	Felső műbőr bevonat	1
004	54138GASS17	Felfújható fedél	1
005	P6930	Felfújó tömlő	1
006	P6653	Szűrőkészlet	1
007	58426S17	Úszó vegyszeradagoló	1
008	58371(H)S15	Padlómatrac	1
009	F6H189AASS15	Csavarkulcs	1
010	P6575	Zárósapkák	2
011	P6H565	Tömítődapter	1
012	P61199	Nyomásmérő	1
013	P6611	A bevonatadapter	1
014	P6H971	Felfújószelep	1
015	F6414ASS	Csat	8
016	58323	Szűrőkazetta (VI)	2

## A LAY-Z-SPA™ Siena AirJet MŰSZAKI ADATAI (#54156)

Kapacitás:	2 felnőtt	Masszázs-turbóventillátor:	800W	Gyorsított melegítés:	40,2 ... 2,5 °C/óra (3,5 ... 4,5 F/óra)
Vízteherbírás-képesség (80%):	509 L (134 gal.)	Fűtőelem:	2000 W 20 °C-on	Tényleges vízáramlás:	1325 L/óra (350 gal/óra)
Felfújási méret:	2,49m x 1,49m x 66cm (98" x 59" x 26")	Szivattyú:	50 W-os keringelő szűrőszivattyú	Névleges adatok:	220 ... 240 V AC 2050 W 20 °C-on
Töltött tömeg:	548 kg (1205 Lb)	Hőmérés-kapacitás:	40°C (104°F)	Üzemi nyomás:	12PSI (0,08Bar)

**MEGJEGYZÉS:** A fenti fűtési sebesség 25 °C-os (77 °F) környezeti hőmérsékleten végzett laboratóriumi teszt eredményét tükrözi.



Sorszám	Cikk-kód	Leírás	Menny.
001	54156TASS17	Medencebevonat	1
002	P4H054ASS17	Fürdőfűtő	1
003	P5694ASS17	Felső műbőr bevonat	1
004	54156GASS17	Felfújható fedél	1
005	P6930	Felfújó tömlő	1
006	P6653	Szűrőkészlet	1
007	58426S17	Úszó vegyszeradagoló	1
008	P5696	Padiómatrac	1
009	F6H189ASS15	Csavar kulcs	1
010	P6675	Zárócsapok	2
011	P6H565	Tömlőadapter	1
012	P61199	Nyomásmérő	1
013	P6611	A bevonatadapter	1
014	P6H971	Felfújószelvény	1
015	F6414ASS	Csat	8
016	P5595	Italtálca	1
017	58323	Szűrőkazetta (VI)	2

## FELÁLLÍTÁS

### A kiválasztott hely

**FIGYELMEZTETÉS:** A kiválasztott helynek képesnek kell lennie elviselni a várt terhelést.

**FIGYELMEZTETÉS:** Mind beltéri, mind szabadtéri telepítés esetén gondoskodni kell a túlfolyó vizet elvezetni képes megfelelő csatornarendszerről.

**FONTOS:** A Lay-Z-Spa vízzel és felhasználókkal együtt számított nagy össztömege miatt rendkívül fontos, hogy a Lay-Z-Spa olyan sima, lapos, vízszintes területen legyen felállítva, amely képes egyenletesen elviselni az össztömeget a Lay-Z-Spa felállított állapotának teljes ideje alatt (nem szőnyegre vagy más hasonló anyagra). Ha a Lay-Z-Spa fürdőt olyan felületen állítja föl, amely nem felel meg ezeknek a követelményeknek, az elégtelen alátámasztás miatti károkért a gyártó nem vállal garanciát. A terület épségének biztosítása mindig a Lay-Z-Spa tulajdonosának a felelőssége.

### 1. Beltéri felállítás:

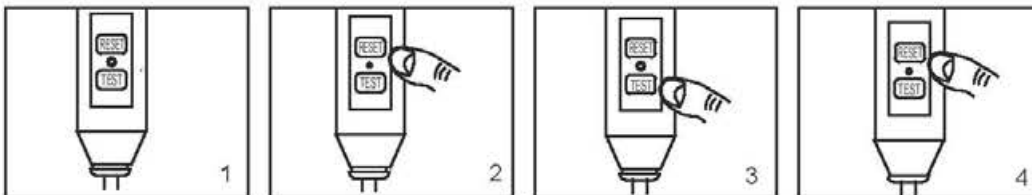
**Vegye figyelembe, hogy a fürdőmedence beltéri felállítására különleges követelmények vonatkoznak.**

- A magas páratartalom a Lay-Z-Spa felállításának természetes velejárója. Vegye figyelembe, hogy a levegő nedvességtartalma hatással van a felállítás javasolt helyén található, levegőnek kitett fa- és papírfelületekre. E hatások minimalizálása érdekében tanácsos jó szellőzéssel ellátni a kiválasztott területet. Szükség esetén építéssel véleményeztesse, hogy kell-e a helyiségbe nagyobb szellőzés.

### 2. Kültéri felállítás:

- A feltöltés, leeresztés, illetve a használat során víz folyhat ki a fürdőből. Emiatt a Lay-Z-Spa fürdőmedencét lehetőleg vízösszefolyó (csatornalefolyó) közelében kell felállítani.
- Ne hagyja a fürdő felületét közvetlen napsugárzásnak kitéve hosszú ideig.

## PRCD teszt



**MEGJEGYZÉS:** Az ábrák csak illusztrációként szolgálnak. Az ábrák nem feltétlenül a vonatkozó terméket mutatják. Az ábrák nem méretarányosak.

1. Illessze be a záródugót.
2. Nyomja meg a „RESET” gombot, mire a jelzőlámpa kigyullad.
3. Nyomja meg a „TEST” gombot, mire a jelzőlámpa kikapcsol.
4. Nyomja meg a „RESET” gombot, mire a jelzőlámpa kigyullad.
5. Tartsa 2 másodpercig lenyomva az „On/Off” gombot. A szivattyú használatra készen áll.

**FIGYELMEZTETÉS:** Az áramütésveszély elkerülése érdekében a biztonsági PRCD csatlakozódugó állapotát minden használat előtt ellenőrizni kell.

**FIGYELMEZTETÉS:** Mielőtt bedugná a dugót a konnektorba, győződjön meg arról, hogy a konnektor megfelelő a szivattyúhoz.

**FIGYELMEZTETÉS:** Ne használja a szivattyút, ha az ellenőrzés során hibát észlel, és forduljon a legközelebbi Bestway értékesítés utáni szolgálathoz.



**MEGJEGYZÉS:** Felfújás közben a levegő észrevehetően szivárogni fog arról a területről, ahol a levegőtömlő a szivattyúhoz csatlakozik – ezt a műszaki előírások megengedik.

**MEGJEGYZÉS:** Ne használjon levegőkompresszort a medence felfújására.

**MEGJEGYZÉS:** Ne húzza a medencét durva talajon, mert a medencebevonat megsérülhet.

**MEGJEGYZÉS:** A felfújási idő csak referenciaként szolgál.

**MEGJEGYZÉS:** A nyomásmérő csak felfújási célt szolgál, és a nyomásmérő értéke csak tájékoztató érték, a mérő nem használható precíziós műszerként.

**A légszelep ellenőrzése (kicsavarozható felfújó/leeresztő szeleppel rendelkező fürdő esetén)** A telepítés előtt mindig ellenőrizze gondosan a légszelepet, hogy a levegő nem szivárog-e belőle. Ha a légszelep meg van lazulva, a mellékelt kulccsal húzza meg a légszelepet a következő módon:

Az egyik kezével a légszelep hátoldalát a fürdő belső oldala felől tartva a másik kezével forgassa el a kulcsot óráirányban.

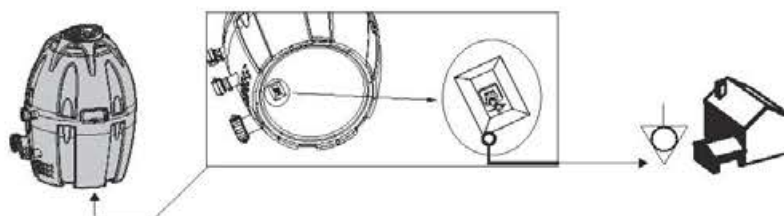
**MEGJEGYZÉS:**

1. Ne húzza túl.
2. Ne állítson a légszelep csatlakozóján, ha a fürdő használatban van.

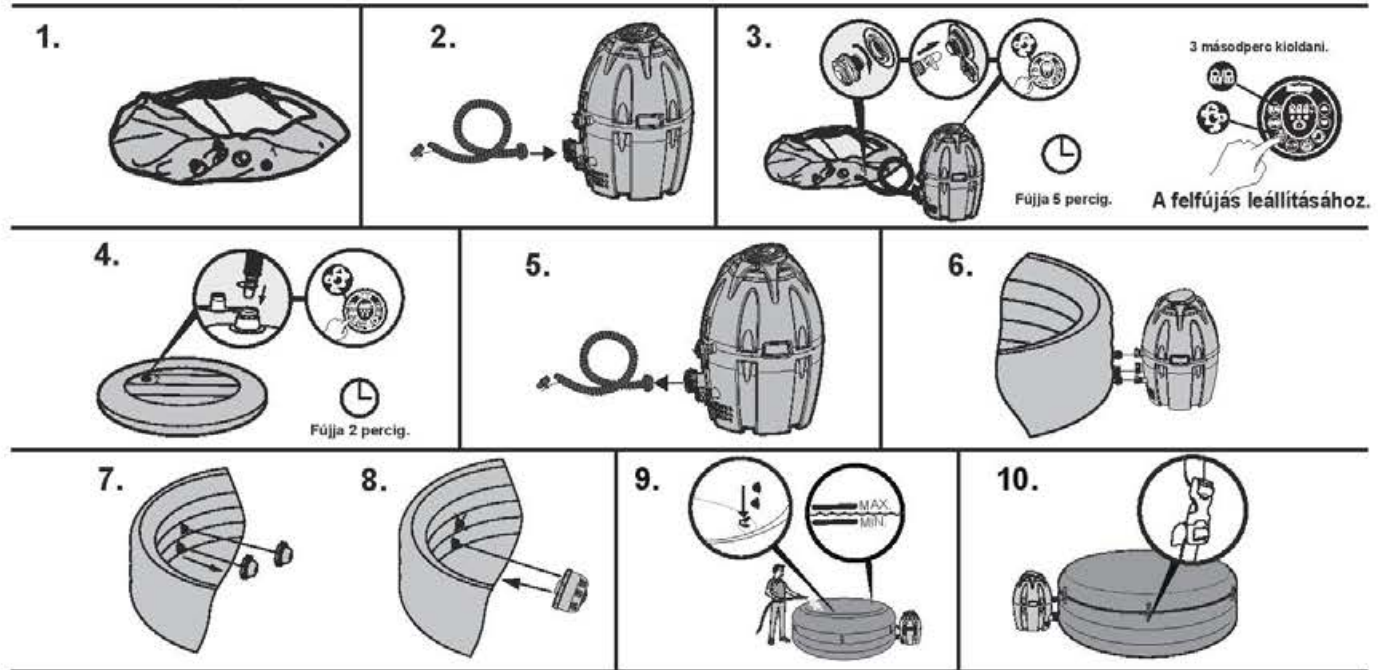


## FÜRDŐSZIVATTYÚ POTENCIÁLKIEGYENLÍTŐ ÉRINTKEZŐJE

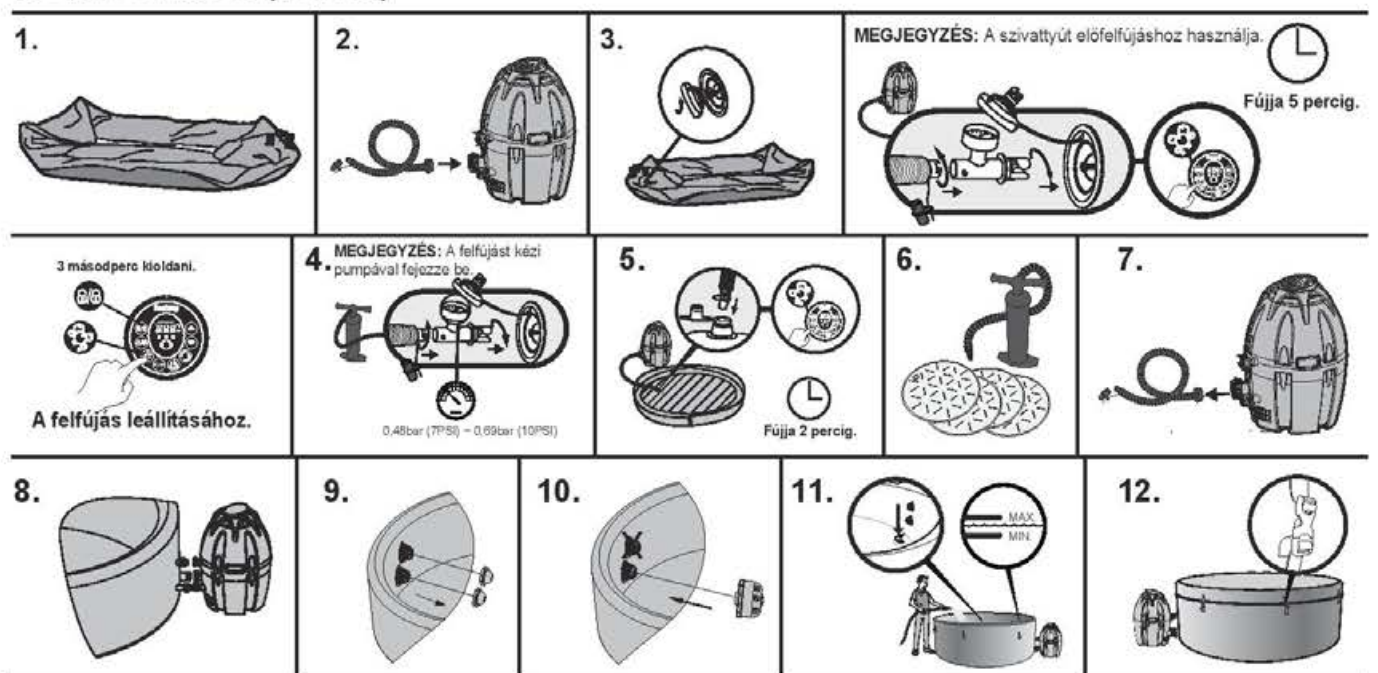
Javasoljuk, hogy szakképzett villanszerelő csatlakoztassa a fürdőszivattyú földelését (legalább) 2,5 mm<sup>2</sup> átmérőjű tömör réz kábellel.



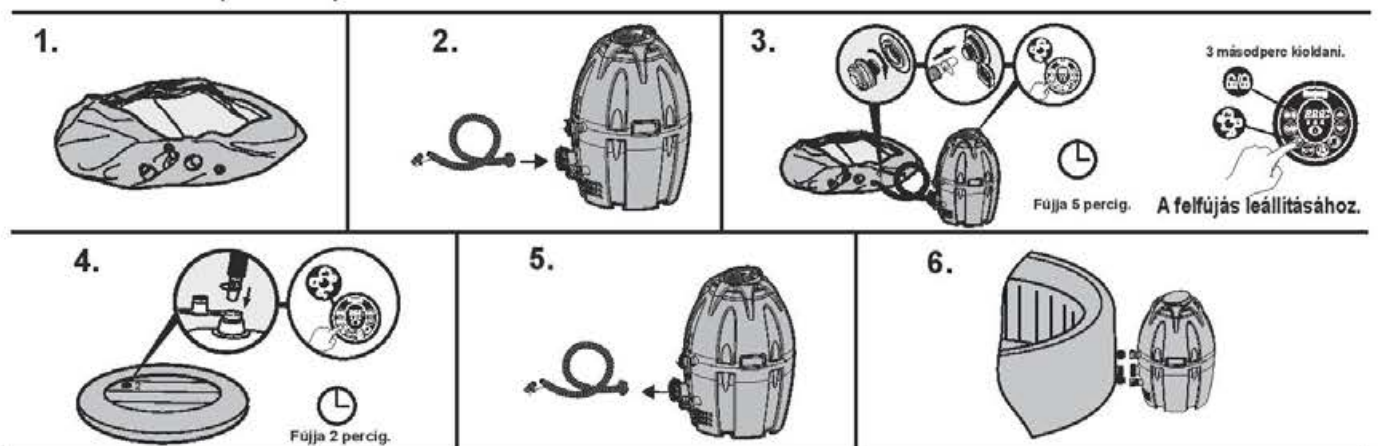
## VEGAS AirJet (#54112)

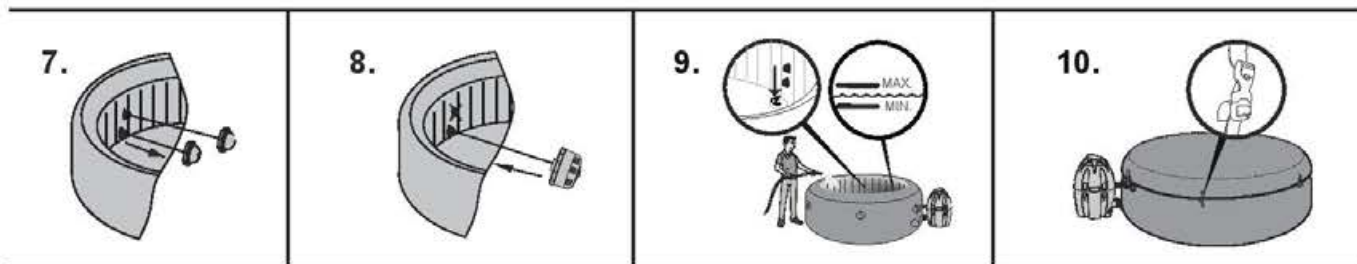


## MONACO AirJet (#54113)

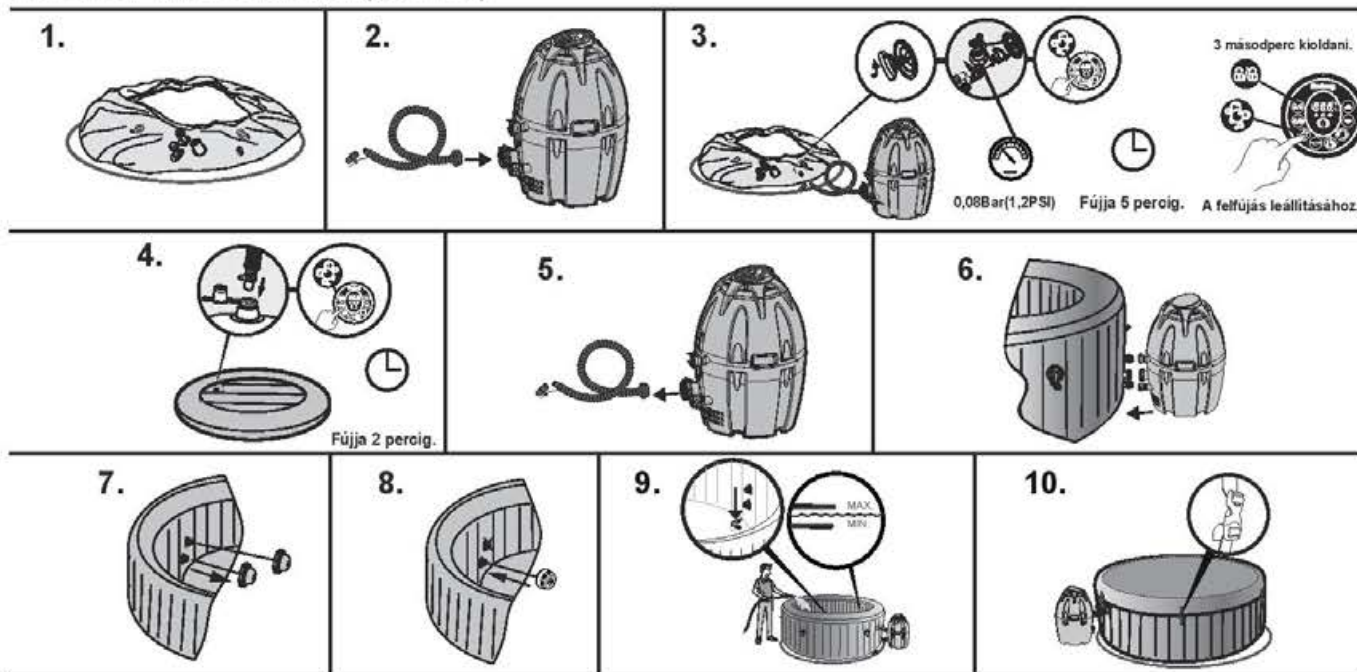


## MIAMI AirJet (#54123)

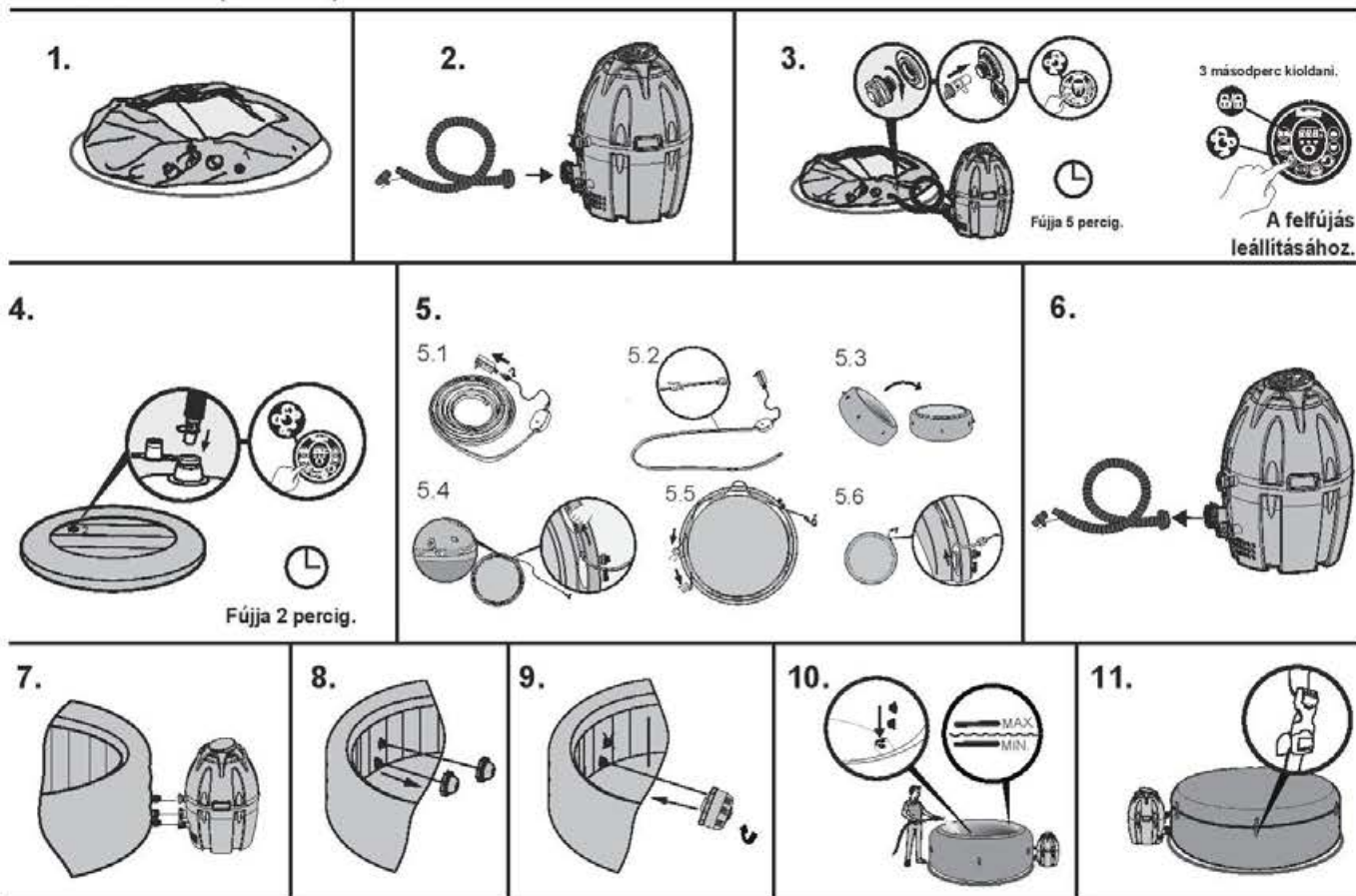




### PALM SPRINGS AirJet (#54129)

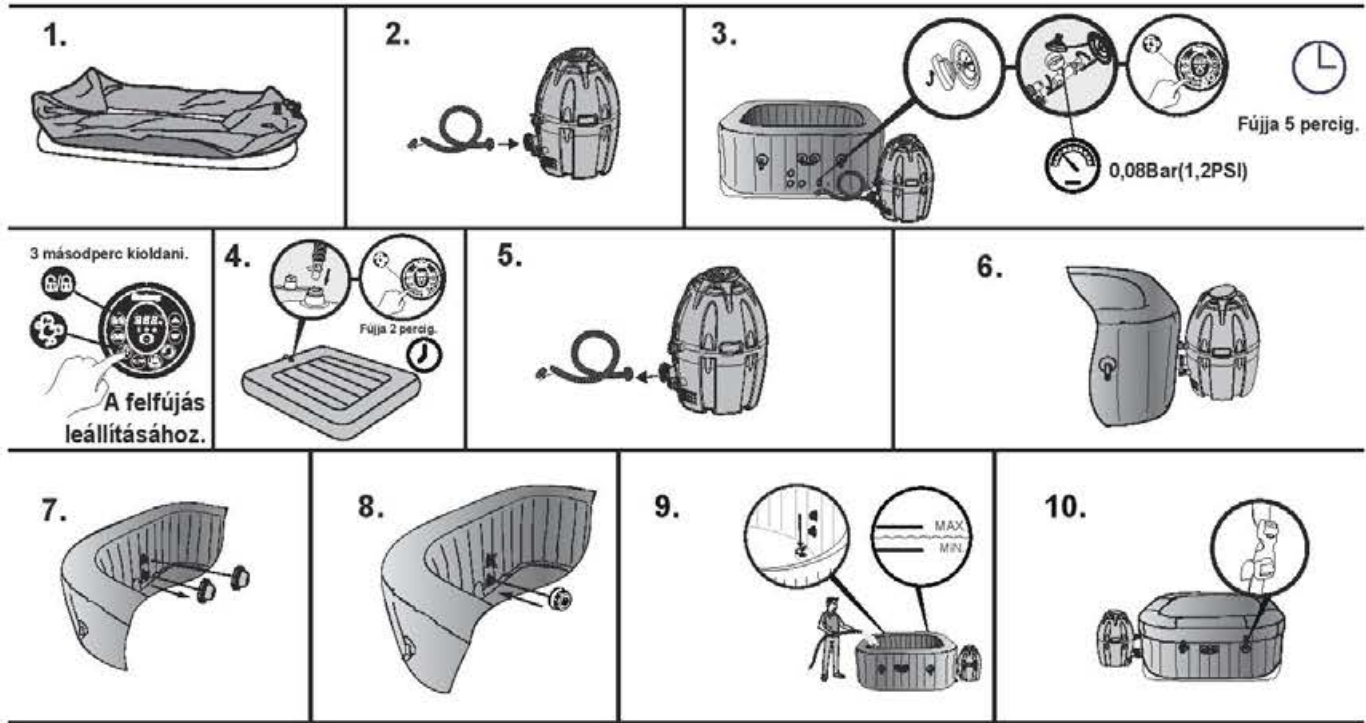


### PARIS AirJet (#54148)

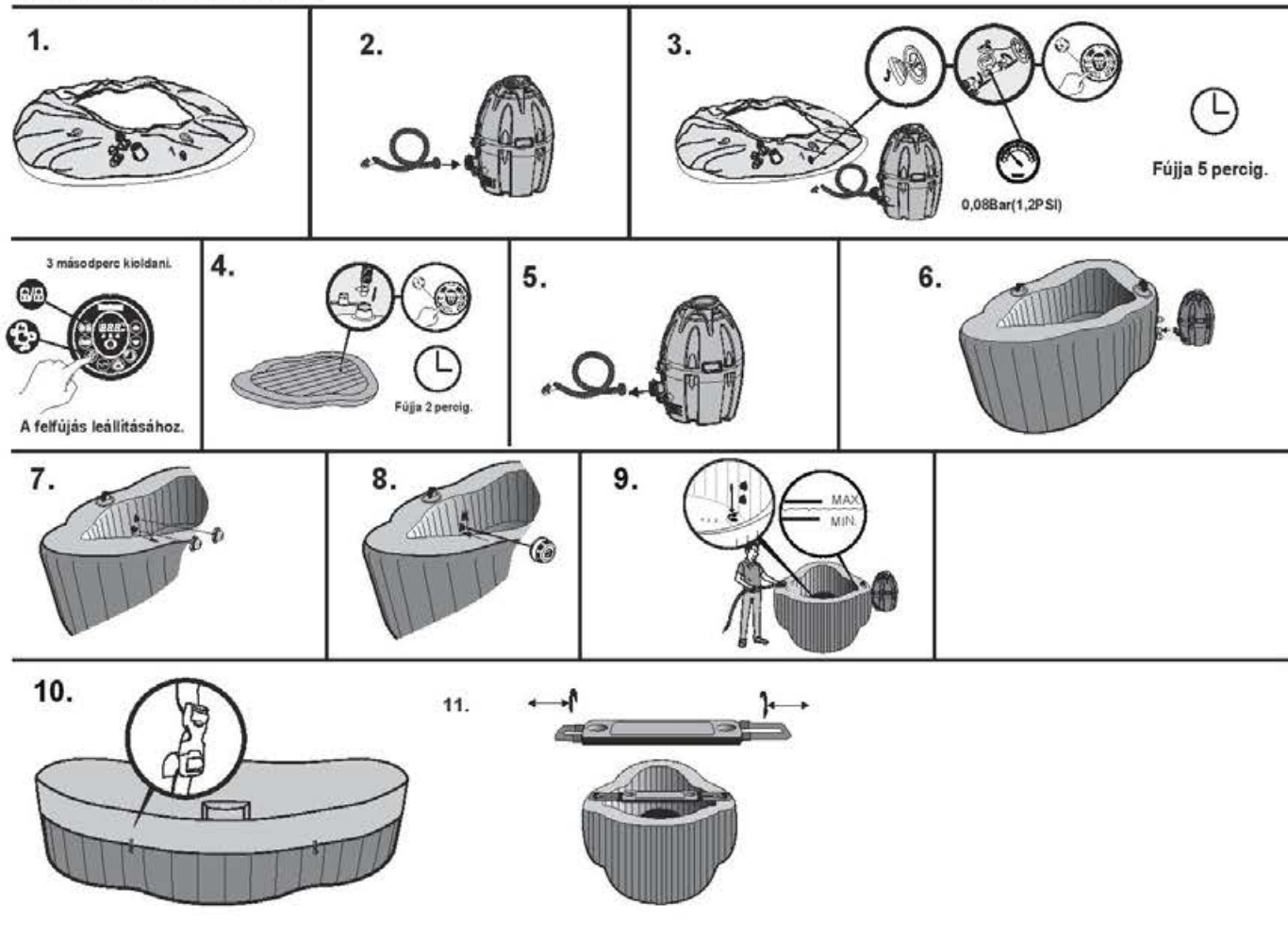




## HAWAII AirJet (#54154)



## SIENA AirJet (#54156)



## A SZIVATTYÚ HASZNÁLATA

### A fűtés visszaállítása

A Lay-Z-Spa első használatakor vagy ha hosszabb ideig nem használta, ne felejtse el kis, hegyes tárgygal megnyomni a szivattyún a visszaállítógombot.

### VISSZAÁLLÍTÓGOMB

#### FONTOS HASZNÁLATI UTASÍTÁS

Ha a kezelőpanelet látható hőmérséklet (vagy a víz hőmérséklet) a fűtőrendszer bekapcsolása után 4-5 órával sem változik, egy vékony tárggyal nyomja be a VISSZAÁLLÍTÓGOMBOT, és indítsa újra a fűtőrendszert.

**FONTOS:** A fűtőrendszer nem fog működni, ha a külső hőmérséklet 40 °C (104 °F) fölötti, vagy ha a Lay-Z-Spa közvetlen napfénynek van kitéve. Ilyen esetekben várjon addig, amíg hidegebb napszak nem jön, és csak ezután nyomja meg vékony tárggyal a VISSZAÁLLÍTÓGOMBOT, és indítsa újra a fűtőrendszert.



### A Reteszelés/kioldás gomb



A szivattyú 5 perces automata reteszeléssel van ellátva. A szivattyú reteszelésékor (egy funkció sincs aktív) a LED lámpa kialszik. A szivattyú reteszeléséhez vagy kioldásához tartsa az ujját 3 másodpercig a reteszelés/kioldás gombon.

### B Energiatakarékos időzítés gomb



Ez egy újonnan hozzáadott energiatakarékos funkció, amely a fürdőmedence fűtési ciklusának idejét és időtartamát szabályozva akadályozza meg a pazarlást. A funkció segítségével akkor használhatja a fürdőmedencét, amikor csak akarja, és nem kell folyamatosan mennie a fűtésnek.

#### 1. LÉPÉS: A fűtés időtartamának beállítása

1. Nyomja meg a gombot, mire a LED villogni kezd.
2. A fűtés időtartamának beállításához nyomogassa a vagy gombot (1 ... 48 óra között).
3. A fűtés időtartamának megerősítéséhez nyomja meg újból a gombot.

#### 2. LÉPÉS: A fűtés MOSTANTÓL számított bekapcsolási időpontjának beállítása

1. A fűtés időtartamának beállítása után a LED villogni kezd.
2. A fűtés bekapcsolási időpontjához hátralévő idő beállításához nyomogassa a vagy gombot (0 ... 99 óra között).
3. A beállítás megerősítéséhez nyomja meg újra a gombot, vagy műveletvégzés nélkül várjon 10 másodpercet. A LED folyamatosan fényel fog világítani, a fűtés bekapcsolásának visszaszámlálása pedig elindul.

**Az időzítőbeállítások módosítása:** Nyomja meg a gombot, majd a módosításhoz használja a vagy gombot.

#### A beállítás törlése:

Tartsa 2 másodpercig lenyomva a gombot.  
**MEGJEGYZÉS:** A beállítást követően a kijelző felváltva fogja mutatni az aktuális hőmérsékletet és az időt.  
**MEGJEGYZÉS:** Az időtartamot (amennyi ideig a fűtés BE LESZ KAPCSOLVA) 1 és 48 óra közé lehet beállítani. A bekapcsolási késleltetés (a fűtés bekapcsolásának MOSTANTÓL számított ideje) 0 és 99 óra között állítható. Ha az időzítő beállítása 0 óra, a fűtőrendszer azonnal bekapcsol.

**Megjegyzés:** az időzítő beállítása csak egyetlen használatra érvényes – a felhasználó beállítja, hogy mennyi ideig legyen bekapcsolva a fűtési ciklus, és hogy a ciklus mostantól mennyi idő múlva kapcsoljon be. Az időzítő NEM kapcsol be újra, amíg ismét be nem állítja.

### C Lay-Z-Massage gomb



Ez a gomb a 30 perces automatikus leállítási funkcióval rendelkező masszázrendszer bekapcsolására szolgál. A Lay-Z-Massage gomb fölötti lámpa a rendszer bekapcsolásakor pirosan világít.

**FONTOS:** Ha a fedél fent van, ne működtesse a Lay-Z-Massage masszázrendszerét. A levegő felgyűlhet a fürdőben, és helyrehozhatatlan károkat és személyi sérülést okozhat.

**MEGJEGYZÉS:** A fűtés- és masszázrendszer egymással párhuzamosan működve gondoskodik a meleg masszázszélményről.



### D Celsius/Fahrenheit átkapcsológomb



A hőmérséklet megjeleníthető mind Fahrenheit-, mind Celsius-fokban.

### E Fűtés gomb



Ez a gomb a fűtőrendszer bekapcsolására szolgál. Ha a fűtés gomb fölötti lámpa pirosan világít, a fűtőrendszer be van kapcsolva. Ha a lámpa zölden világít, a víz elérte a beállított hőmérsékletet, és a fűtőrendszer nyugalmi állapotban van.

**MEGJEGYZÉS:** A fűtőrendszer bekapcsolásakor a szűrőrendszer automatikusan elindul.

**MEGJEGYZÉS:** A fűtőrendszer kikapcsolásakor a szűrőrendszer tovább fog működni.

### F Vízszűrő gomb



Ez a gomb be- vagy kikapcsolja a szűrőszivattyút. A Vízszűrő gomb fölötti lámpa a rendszer bekapcsolásakor pirosan világít.

### G Hőmérséklet-beállító gombok



A hőmérséklet-növelő vagy -csökkentő gomb nyomogatása hatására a LED villogni kezd. Villogás közben az érték a kívánt hőmérsékletre állítható. E gombokat nyomva tartva az értékek gyorsabban fognak nőni, illetve csökkenni. Az új és kívánt hőmérséklet-beállítás 3 másodpercig a kijelzőn marad, hogy megerősítsa.

**MEGJEGYZÉS:** Az alapértelmezett hőmérséklet 35 °C (95 °F).

**MEGJEGYZÉS:** A hőmérséklet beállítási tartomány 20 ... 40 °C (68 ... 104 °F)

### H Be/ki gomb



A kezelőpanel bilentyűnek aktiválásához tartsa 2 másodpercig lenyomva ezt a gombot, mire a lámpa zöldre vált. Az összes jelenleg aktív funkció kikapcsolásához tartsa 2 másodpercig lenyomva ezt a gombot.

### I Energiatakarékos időzítés LED



Ha ez a LED világ, az azt jelenti, hogy On épp a fűtés időtartamának beállítását végzi. A lámpa bekapcsol, amikor a fűtés funkció működni kezd.



Ha ez a LED világ, az azt jelenti, hogy On épp a fűtés MOSTANTÓL számított bekapcsolási időpontjának beállítását végzi. Ha a lámpa világít, az energiatakarékos időzítés funkció be van állítva.

### J LED kijelző



Bekapcsolt állapotban a LED automatikusan a víz aktuális hőmérsékletét mutatja. 72 óras szűrés követően (az energiatakarékos időzítés funkció használata nélkül) a szivattyú hűmáéldók, és a kijelzőn megjelenik a világító „End” (Vége) felirat, valamint a víz aktuális hőmérséklete. A szivattyú hűmáéldók állapotában mind a fűtés, mind a vízszűrési funkció le van tiltva. A szivattyú visszakapcsolásához tartsa 3 másodpercig lenyomva a reteszelés/kioldás gombot.

**MEGJEGYZÉS:** A vízvezetési sebességet az alábbi korlátozások módosíthatják:

- Ha a külső hőmérséklet 15 °C (59 °F) alatti.
- Ha a fedél a fűtés funkció bekapcsolásakor nincs a helyén.

**MEGJEGYZÉS:** Az aktuális hőmérséklet megjelenítéséhez legalább egy percig futtassa a szűrőrendszert. A külső hőmérséklet mért víz hőmérséklet nagyjából 2 °C mértékben eltérhet a fürdő paneljén kijelzett értékektől.

## Riasztások

Hibák	Okok	Megoldások
	A vízáramlás-érzékelő a szűrő vagy fűtés gomb megnyomása nélkül működnek.	1. A vízáramlás-érzékelők zászliki nem mennek vissza a megfelelő helyzetükbe. 2. A vízáramlás-érzékelők elromlottak.
	Az indítást követően vagy a szűrés és/vagy melegítés közben a vízáramlás-érzékelők nem érzékelik a víz áramlását.	1. On elfelejtette kivenni a 2 db záróskapát a medence belsejéből. 2. A szűrőzsebek piszkosak. 3. Kapcsolja be a szűrőt vagy fűtőrendszert, és tegye a kezét a medence belsejében található kimenőcső elé, és nézze meg, hogy érez-e vízáramlást. a. Ha nem jön belőle víz, a vízszivattyú elromlott. b. Ha van vízáramlás, de a kijelzőn az  riasztás jelenik meg, az azt jelenti, hogy a vízáramlás-érzékelők elromlottak.
	A szivattyú hőmérője szerint a víz hőmérséklet kisebb mint 4 °C (40 °F).	1. A víz hőmérséklete kisebb mint 4 °C (40 °F). 2. Ha a víz hőmérséklet 7 °C-nál (44,6 °F) magasabb, a szivattyú hőmérője elromlott.
	A szivattyú hőmérője szerint a víz hőmérséklet nagyobb mint 50 °C (122 °F).	1. A víz hőmérséklet nagyobb mint 50 °C (122 °F). 2. Ha a víz hőmérséklet 45 °C-nál (113 °F) alacsonyabb, a szivattyú hőmérője elromlott.
	A szivattyú hőmérő-csatlakozásával gondok vannak.	1. A szivattyú hőmérő-csatlakozója nem működik megfelelően. 2. A szivattyú hőmérője elromlott.
	A kézi visszaállítás hőmérséklet meghibásodott.	A kézi visszaállítás hőmérséklet kioldott.
		1. Finoman húzza ki a dugót, ne túl erősen ütögesse meg a szivattyút, majd dugja vissza a dugót. 2. További információért forduljon a legközelebbi Bestway értékesítés utáni szolgálatához. 3. A melegítés előtt távolítsa el a 2 db záróskapát (lásd a használati útmutató „Összeszerelés” című részében). 4. Vegye ki a szűrőegységet a medence belsejéből, és nyomja meg a szűrő vagy a fűtés gombot. Ha nem jelenik meg riasztás, tisztítsa ki vagy cserélje le a szűrőzsebeket, és szerelje be a szűrőegységet a medencébe. 3. További információért forduljon a legközelebbi Bestway értékesítés utáni szolgálatához.
		1. A fürdő nem alkalmas 4 °C-nál (40 °F) alacsonyabb víz hőmérséklet mellett történő használatra. Válassza le a szivattyú csatlakozását, és csak akkor indítsa újra, ha a víz hőmérséklete legalább 6 °C-os (43 °F). 2. További információért forduljon a legközelebbi Bestway értékesítés utáni szolgálatához.
		1. A fürdő nem alkalmas 40 °C-nál (104 °F) magasabb víz hőmérséklet mellett történő használatra. Válassza le a szivattyú csatlakozását, és csak akkor indítsa újra, ha a víz hőmérséklete legalább 38 °C-ra (100 °F) hűlt. <b>FONTOS:</b> A szivattyú újraindítása előtt nyomja meg a szivattyú visszaállítógombját. 2. További információért forduljon a legközelebbi Bestway értékesítés utáni szolgálatához.
		További információért forduljon a legközelebbi Bestway értékesítés utáni szolgálatához.
		1. Válassza le a szivattyút és nyomja meg a visszaállítógombját, majd dugja vissza a szivattyút. 2. Amennyiben továbbra is riaszt, ellenőrizze a VISSZAÁLLÍTÓGOMBRA vonatkozó részt az útmutatóban. 3. További információért forduljon a legközelebbi Bestway értékesítés utáni szolgálatához.

## KARBANTARTÁS

**MEGJEGYZÉS: A fürdőt időről időre után kell fújni levegővel. Az éjjel-nappali hőmérséklet-igadozás miatti nyomásváltozás hatására a fürdő bizonyos mértékű levegőt veszít. A megfelelő nyomásra fújás előtt kövesse az összeszerelési utasításokat, és eresse le a fürdőt.**

**VIGYÁZAT: A KARBANTARTÁSI MUNKÁLATOK ELKEZDÉSE ELŐTT MINDENKÉPPEN VÁLASSZA LE A SZIVATTYÚT, ELLENKÉZŐ ESETBEN SÉRÜLÉS VAGY HALÁL KOCKÁZATA ÁLL FÖNN.**

### A szűrőkazetta karbantartása

**MEGJEGYZÉS:** A fürdő vizének tisztán tartása érdekében naponta ellenőrizze és tisztítsa meg a szűrőkazettákat az alábbi lépések végrehajtásával.

**MEGJEGYZÉS:** Javasoljuk, hogy hetente cserélje le a szűrőkazettákat, illetve amennyiben a szűrőkazetták elkoszolódtak és elszíneződtek, le kell cserélni őket.

### Vízkarbantartás

A fürdővizet tisztán és kémiai egyensúlyban kell tartani. Csak a szűrőkazetta tisztítása nem elég a megfelelő karbantartáshoz – javasoljuk, hogy használjon vegyszereket, hogy megőrizzék a víz kémiaját, valamint használjon klór- vagy brómtablettákat (ne granulátumot) úszó vegyszeradagolóban.

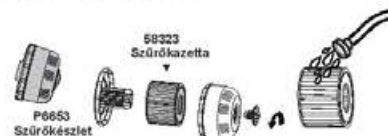
Normál esetben a vizet nagyjából 3 naponta cserélni kell. Ez csak iránymutatás – a víz minőségére hatással van a használat gyakorisága, a használok személye és az általános karbantartás is.

**Megjegyzés:** Javasoljuk, hogy a Lay-Z-Spa használatát előtt zuhanyozzon le, mivel a kozmetikai termékek, olajok és a bőrön maradt egyéb anyagok gyorsan ronthatják a víz minőségét. Úszó vegyszeradagoló használatát esetén tartsa be az alábbi utasításokat.

Vegyszertabletták használata (nincs mellékelve):



Vegyszerfolyadék használata (nincs mellékelve):



**MEGJEGYZÉS:** Ha a fürdő nincs használatban, vegye ki az úszó vegyszeradagolót a fürdőből.

**FONTOS:** A vegyi karbantartás elvégzését követően és a fürdő használatát előtt tesztkészlettel (nincs mellékelve) ellenőrizze a víz kémiaját.

Javasoljuk, hogy az alábbi táblázatban foglaltak szerint tartsa karban a vizet.

**MEGJEGYZÉS:** A kémiai egyensúly hiánya által okozott károkra nem vonatkozik a garancia. A medencében használt vegyszerek potenciálisan mérgezők, ezért óvatosan kezelendők. A vegyszergőzők és a vegyszereltávolító edények helytelen elhelyezése súlyos egészségügyi kockázatot jelentenek. A vegyi karbantartással kapcsolatos további információkért forduljon a legközelebbi medenceforgalmazóhoz. Szigorúan tartsa be a vegyszer gyártójának utasításait. A fürdőnek a vegyszerek nem rendelkezésszerű használatából és a fürdővíz rossz kezeléséből eredő károsodására nem vonatkozik a garancia.

pH	Összes lúgosság	Szabad klór
7,4-7,6	80-120 ppm	2-4 ppm

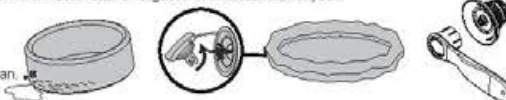
**Légszelap-beállítás (csak az #54113 #54129 #54154 #54156 típusok esetén)**

Levegőszivárgás esetén először ellenőrizze a légszelapet. Szappanos vízzel feje be a légszelapet, hogy ellenőrizze, hogy szivárog-e. Ha igen, akkor a következő lépések végrehajtása után a mellékelt csavarhúzóval húzza meg a légszelapet.

• Az egyik kezével a légszelap hátoldalát a fürdő belső oldala felől tartva a másik kezével forgassa el a kulcsot óráirányban.

### MEGJEGYZÉS:

1. Ne húzza túl.
2. Használat előtt mindig ellenőrizze a légszelapet.
3. Ne állítson a légszelap csatlakozóján, ha a fürdő használatban van.



## A fürdő leeresztése

**1.**

**2.**

**3.**

**4.**

**5.**

**6.**

**7.**

**8.**

**9.**

**10.**

## A fürdő tisztítása

A tisztítószerek-maradványok és az úszóruhából és vegyszerekből származó feloldott, szilárd anyagok károsíthatnak a fürdő falaira. Szappanos vízzel tisztítsa le a falakat, és öblítse le alaposan.

**MEGJEGYZÉS: NE használjon durva keféket vagy dörzshatású tisztítószereket.**

### Fürdőjavítás

**#54112, #54123, #54148 típusú fürdők és felfújható fedél.**

Ha a fürdő kiszakad vagy kilyukad, használja a mellékelt, nagy teherbírásiú javítótapaszt.

1. Tisztítsa meg a javítandó területet.
2. Óvatosan húzza le a tapaszt.
3. Nyomja a tapaszt a javítandó területre.
4. A felfújás előtt várjon 30 másodpercet.

**#54113, #54129, #54154, #54156 típusú fürdők (felfújható fedél nélkül)**

Ha a fürdő kiszakad vagy kilyukad, használja a mellékelt PVC anyagú javítótapaszt és ragasztót (nincs mellékelve) a következő lépések szerint.

1. Tisztítsa és szárítsa meg a javítandó területet.
2. Vágjon ki egy megfelelő méretű darabot a foltként szolgáló mellékelt PVC lapból.
3. A ragasztóval (nincs mellékelve) vonja be az újonnan kivágott folt egyik oldalát. Győződjön meg arról, hogy a ragasztó egyenletesen van felhelve.
4. Várjon 30 másodpercet, majd helyezze föl a ragasztóval ellátott, kivágott foltot a sérült területre.
5. Simítsa ki az esetlegesen a folt alatt rekedt légbuborékokat, és két percig tartsa határozottan nyomva.
6. A termék most már ismét készen áll a használatra. Ha további szivárgást tapasztal, ismételje meg a fenti eljárást.
7. A felfújás előtt várjon 30 percet.

## A Lay-Z-Spa tárolása

Gondoskodjon arról, hogy a fürdő és a szivattyú teljesen megszáradjon. Ez alapvető fontosságú a fürdő élettartamának meghosszabbításához. Javasoljuk, hogy a szivattyút fújja szárazra a fürdőt, a szivattyút és a csövet. Távolítsa el a szűrőegységeket, és dobja ki az elhasznált szűrőkazettákat. Csatlakoztassa újra a két zárosápkát a fürdő bemenő- és kimenőszelvényére. Javasoljuk, hogy a fürdőt az eredeti csomagolásban, nedvességtől védett, meleg helyen tárolja.

**MEGJEGYZÉS:** A műanyag nulla fok alatti hőmérsékleteken rideggé és törékennyé válik. A fagy súlyos károkat tehet a fürdőben. A fürdő nem megfelelő télieltételezése a garancia elvesztését eredményezheti.

### Ártalmatlanítás



Az áthúzott, kereskes kuka szimbólum jelentése: Ne dobja ki az elektromos készülékeket háztartási hulladékként, hanem a megfelelő gyűjtőhelyeken adja le őket. A rendelkezésre álló gyűjtőrendszer-ekkel kapcsolatos információkért forduljon a helyi önkormányzatához. Ha az elektromos készülékeket szeméttelenen vagy hulladéklerakóban helyezik el, veszélyes anyagok kerülhetnek belőlük a talajvízbe, majd onnan az élelmiszerláncba, ami károsíthatja az egészséget és a jólétet. A régi készülékek új készülékekre cserélésénél a kereskedőnek jogszabályi kötelessége, hogy ártalmatlanítás céljából legalább térítésmentesen visszavegye a régi készüléket.

**HIBAELHÁRÍTÁS** A Bestway arra törekszik, hogy a piacon kapható legproblémamentesebb fürdőket kínálja.

Ha bármilyen problémát észlel, ne habozzon, vegye fel a kapcsolatot a Bestwayjel vagy annak hivatalos forgalmazóival. Íme néhány hasznos tipp a legáltalánosabb hibaokok felismeréséhez és elhárításához. **common sources of trouble.**

Problémák	Lehetséges okok	Megoldások
Nem működik a szivattyú.	- Áramkimaradás történt. - Az áramellátás megszakadt.	- Ellenőrizze az áramellátást. - További információért forduljon a legközelebbi Bestway értékesítés utáni szolgálathoz.
A szivattyú nem fűt megfelelően.	- A hőmérséklet túl alacsonyra lett állítva. - A szűrőkazetta koszos - A hőmegszakító kioldott. - A fürdő nincs lefedve. - A fűtőelem meghibásodott vagy a biztosíték kivágott.	- Állítson be magasabb hőmérsékletet a szivattyú használatára vonatkozó részben megadottak szerint. - Tisztítsa meg/cserélje le a szűrőkazettát (lásd a szűrőkazetta tisztításáról és lecseréléséről szóló részben). - Válassza le a szivattyút, és tegye a dugót száraz, hűvös helyre. Csak akkor indítsa újra a szivattyút, ha a víz hőmérséklete legalább 35 °C-ra (95 °F) hűlt. - Csatlakoztassa fel a fedelet. - További információért forduljon a legközelebbi Bestway értékesítés utáni szolgálathoz.
A Lay-Z-Massage nem működik.	- A levegőszivattyú túlmelegszik. - A Lay-Z-Massage automatikusan leáll. - A levegőszivattyú elromlott.	- Válassza le a szivattyú csatlakozását, és várjon két órát, hogy a szivattyú lehűljön. - Dugja be a dugót, és nyomja meg a Lay-Z-Massage gombot - Az újrabekapcsoláshoz nyomja meg a Lay-Z-Massage gombot. - További információért forduljon a legközelebbi Bestway értékesítés utáni szolgálathoz.
A szivattyúadapterek nincsenek egy szintben a fürdő adaptereivel.	- A PVC-re jellemző, hogy változik az alakja – ez normális jelenség.	- Emelje meg a szivattyút fával vagy más szigetelő anyaggal úgy, hogy a szivattyú adapterei egy szintbe kerüljenek a fürdő adaptereivel.
Fürdőmedence-szivárgás.	- A fürdő kiszakadt vagy kilyukadt. - A légszelep kilazult.	- Használja a mellékelt javítótapaszt. - Szappanos vízzel fedje be a légszelepet, hogy ellenőrizze, hogy szivárog-e. Ha igen, akkor a következő lépések végrehajtása után a mellékelt csavarkey-kulccsal húzza meg a légszelepet: 1. Eressze le a FÜRDŐBŐL a levegőt. 2. Az egyik kezével a légszelep hátoldalát a fürdő belső oldala felől tartva a másik kezével forgassa el a kulcsot óráirányban.
A víz nem tiszta.	- Elégtelen szűrési idő. - A szűrőkazetta koszos - Nem megfelelő vízkarbantartás	- Növelje a szűrési időt. - Tisztítsa meg/cserélje le a szűrőkazettát (lásd a szűrőkazetta tisztításáról és lecseréléséről szóló részben). - Tartsa be a vegyszer gyártójának utasításait.
A PRCD teszt nem sikerült.	Valami hiba történt a FÜRDŐVEL.	Forduljon a legközelebbi Bestway értékesítés utáni szolgálathoz, és juttassa vissza a FÜRDŐT.
A kezelőpanel nem működik.	- A kezelőpanel automata billentyűzár funkcióval rendelkezik, mely 5 perces téllenség után bekapcsol. A LED-es kijelzőn egy ikon található.  Ha a zárt lakat ikon világít, az azt jelenti, hogy a kezelőpanel billentyűzára zárva van. - A kezelőpanel nincs aktiválva	- A kezelőpanel billentyűzárának kioldásához tartsa 3 másodpercig lenyomva a  gombot. Ha a kezelőpanel billentyűzára nem kapcsol ki, indítsa újra a szivattyút – válassza le a szivattyú csatlakozását, majd dugja vissza. - Tartsa 2 másodpercig lenyomva a be/kí gombot. Ha a probléma továbbra is fennáll, további információért forduljon a legközelebbi Bestway értékesítés utáni szolgálathoz.
Milyen vegyszereket használnak a víz karbantartására?	A vegyi karbantartással kapcsolatos információkért forduljon a legközelebbi vegyszerbeszállítóhoz. Szigorúan tartsa be a vegyszer gyártójának utasításait.	
A víz szivárog a szivattyú és a fürdőmedence közti adapterekből.	A víz kifolyásának megakadályozása érdekében helyezze föl a zárósapkákat a medence csatlakozóira, majd válassza le a szivattyút. Ellenőrizze, hogy a tömitések megfelelően vannak-e behelyezve a szivattyúadapterek belsején. Ha a tömitések hiányoznak, vagy nem megfelelően vannak beszerelve, további információért forduljon a legközelebbi Bestway értékesítés utáni szolgálathoz. Ha a tömitések megfelelően a helyükön vannak, csatlakoztassa újra a szivattyút a medencéhez, majd kézzel húzza meg az adaptereket.	

# Korlátozott BESTWAY® gyártói garancia

A vásárolt termékhez korlátozott garancia jár. A Bestway® áll a minőségi garanciák mögött és cseregaranciájával biztosítja, hogy a terméke minden gyártói hibától mentes lesz.

A garanciaigény érvényesítéséhez ezt az űrlapot ki kell tölteni, és a nyugta/vásárlási bizonylat másolatával együtt át kell adni a Bestway értékesítés utáni szolgálatnak. Kérjük, mindenfajta dokumentum elküldése előtt vegye fel a kapcsolatot a Bestway legközelebbi, értékesítés utáni szolgálatával. Tőlük mindent megtudhat arról, hogy a garanciaigény érvényesítéséhez mi szükséges. A Bestway® nem cserél olyan termékeket, amelyekről úgy ítéli meg, hogy hanyag kezelés vagy a használati útmutatóban leírtak szerinti használat figyelmen kívül hagyása miatt sérültek meg.

A Bestway garancia a termék kicsomagolásakor vagy a terméknek a használati útmutatóban foglalt ajánlások betartása melletti használatokor felfedezett gyártási hibákra terjed ki. Ez a garancia csak harmadik fél által nem módosított termékekre vonatkozik. A terméket a műszaki ajánlásoknak megfelelően kell tárolni és kezelni.

Ez a garancia nem vonatkozik a nem rendeltetésszerű használatból, túlhasználattól, hanyagságból eredő hibákra, ideértve, de nem kizárólag, az ütközés, tűz, nem megfelelő feszültség használata, túlzott melegnek való kitettség, nem megfelelő beszerelés, nem megfelelő huzalozás vagy tesztelés, illetve nem megfelelő tárolás miatti károkat.

A cserék és javítások nem hosszabbítják meg a garancia lejárátát. A garancia kezdődátuma az eredeti nyugtán/vásárlási bizonylaton szereplő vásárlási dátum.

Válassza ki a FÜRDŐJÉT!



CÍMZETT: Bestway® Szervizrészleg

Vásárlás dátuma: \_\_\_\_\_

DÁTUM: \_\_\_\_\_

Ügyfélszám: \_\_\_\_\_

FAX/E-MAIL/TEL.: Kérjük, a dokumentum hátoldalán vagy a weboldalunkon keresse meg az Ön országára vonatkozó adatokat.

www.bestwaycorp.com

Kérjük, adja meg a teljes címét. **Megjegyzés:** Ha nem a teljes címét adja meg, a szállítmány késedelmesen fog megérkezni.

A Bestway fenntartja a jogot, hogy a fogadó fél hibájából kézbesítetlen csomagok újraküldéséért díjat számoljon föl.

## SZÜKSÉGES ADATOK – ADJA MEG A SZÁLLÍTÁSI CÍMET

Név: \_\_\_\_\_ Cím: \_\_\_\_\_

Irányítószám: \_\_\_\_\_ Kereskedő: \_\_\_\_\_

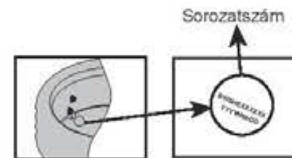
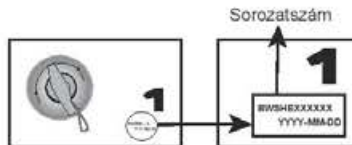
Ország: \_\_\_\_\_ Város: \_\_\_\_\_

Mobil: \_\_\_\_\_ Telefon: \_\_\_\_\_

Fax: \_\_\_\_\_ E-mail: \_\_\_\_\_

FÜRDŐSZIVATTYÚ sorozatszám: \_\_\_\_\_ FÜRDŐMEDENCE sorozatszám: \_\_\_\_\_

FÜRDŐSZIVATTYÚ cikkszám: \_\_\_\_\_



LAY-Z-SPA Vegas / Paris

Az ábrák csak illusztrációként szolgálnak. Az ábrák nem méretarányosak.

### Probléma leírása

- A fürdő szivárog
- A vízsűrítőrendszer nem működik
- A fűtőrendszer nem működik
- A vezérlőpanel elháríthatatlan hibát jelez
- A Lay-Z-Massage rendszer nem működik
- A szivattyú szivárog
- Az adapter szivárog
- Hiányzó alkatrészek: kérjük, adja meg a hiányzó alkatrész kódját – ez a használati útmutatóban található.
- Egyéb – kérjük, írja le

**FONTOS: CSAK A SÉRÜLT ALKATRÉSZ LESZ KICSERÉLVE, NEM A TELJES KÉSZÜLÉK.**

A Bestway fenntartja a jogot, hogy fényképes bizonyítékot kérjen a hibás alkatrészekről, illetve hogy a termék további tesztelését követelje meg.

Az Ön minél jobb kiszolgálása érdekében arra kérjük, hogy minden Ön által adott információ teljes legyen.

GYAKRAN ISMÉTELT KÉRDÉSEK, KÉZIKÖNYVEK ÉS ALKATRÉSZEK ÜGYÉBEN LÁTOGASSON EL [www.bestwaycorp.com](http://www.bestwaycorp.com).

CÍMEN TALÁLHATÓ WEBOLDALUNKRA.

HA VIDEÓKRA KIVÁNCSI, LÁTOGASSON EL YOUTUBE-OS BESTWAY-CSATORNÁNKRA: [www.youtube.com/user/BestwayService](http://www.youtube.com/user/BestwayService)

**Bestway**

# INNEHÅLL

Besök Bestway YouTube kanal

1. Säkerhetsanvisningar .....	P182	5. Underhåll .....	P194
2. Specifikationer .....	P185	Underhåll av filterpatron	
3. Installation .....	P188	Underhåll av vatten	
Vald plats		Justering av luftventil	
Pumptest		Tömma spaet	
4. Pumpdrift .....	P193	Rengöring av spaet	
Värmeåterställning		Reparera spaet	
Kontrollpanel		Lay-Z-Spa förvaring	
Larm		Avfallshantering	
		6. Felsökning .....	P195
		7. Garanti .....	P196



## SÄKERHETSANVISNINGAR

När den elektriska utrustningen installeras och används måste grundläggande försiktighetsåtgärder alltid följas, inklusive följande:

**VIKTIGA SÄKERHETSANVISNINGAR - LÄS OCH FÖLJ ALLA ANVISNINGAR.**

### VARNING:

- Spaet måste strömföras genom en isolertransformator eller få sin ström genom en jordfelsbrytare med en märkström på max 30mA.
  - Pumpen måste testas innan varje användning. För att testa, följ instruktionerna på pumpen.
  - Om elkabeln är skadad måste den bytas ut av tillverkaren, dess serviceombud eller liknande kvalificerade personer för att undvika fara.
  - För att minska risken för elstötar, använd ej en förlängningssladd för att ansluta enheten till eluttaget, se till att ett korrekt placerat eluttag finns.
  - Ingen av utrustningens delar får befinna sig ovanför badet medan det används.
  - Delar som innehåller spänningsförande delar, med undantag av delar som levereras med en säker extra låg spänning som inte överstiger 12 V, måste vara oåtkomliga för en person i poolen; delar som innehåller elektriska komponenter, utom fjärrkontroller, måste placeras eller fästas så att de inte kan falla i poolen.
  - SPA-badet måste förses med jordad elektricitet.
  - **Varning: Se till att stickkontakten alltid är torr. Det är absolut förbjudet att ansluta den om stickkontakten är våt!**
  - Det är viktigt att det går att komma åt kontakten efter att spaet har installerats.
- FÖRSIKTIGHET:** För att undvika en fara på grund av oavsiktlig återställning av termosäkringen får denna apparat inte strömföras genom en extern kopplingsanordning, såsom en timer, eller ansluten till en krets som regelbundet slås på och av.
- Efter att ditt spa har använts under 3-5 år, bör du ta kontakt med en lokal, behörig underhållstekniker för att försäkra dig om säkerheten och prestandan. Huvudkomponenterna, såsom värmeelement, luftblåsmotorn och backventilerna inuti den elektriska enheten ska kontrolleras och bytas ut (vid behov) av en professionellt kunnig person.
- **FÖR ATT UNDVIKA ELEKTRISKA STÖTAR, ANVÄND INTE SPAET NÄR DET REGNAR.**
  - Använd aldrig kontaktlinser i spaet.
  - Använd aldrig spaet medan det genomgår kemiskt underhåll.
  - Eluttaget på husväggen måste befinna sig mer än 4 m från poolen och minst 1,2 m från marken.
  - Förlängningssladd får ej användas.
  - Koppla inte på eller ur utrustningen med våta händer.
  - Koppla alltid ur utrustningen:
    - på regniga dagar
    - innan rengöring eller underhåll
    - om den lämnas obevakad under semestrar
  - Rengöring och underhåll måste utföras av en vuxen, 18 år eller äldre, som är bekant med farorna med elektriska stötar.
  - När apparaten ej används under en längre tid, såsom under vintern, ska poolsetet demonteras och förvaras inomhus.

- **Varning:** Läs instruktionerna innan apparaten tas i bruk och före varje installation/montering.
- Förvara instruktionerna säkert. Om instruktionerna saknas, kontakta Bestway eller sök efter den på webbsidan [www.bestwaycorp.com](http://www.bestwaycorp.com)
- **Varning: En portabel jordfelsbrytare är införlivad i strömkabeln, för elsäkerhetens skull. Om ett strömläckage på över 10mA upptäcks stängs strömmen av. Om detta skulle inträffa, dra ur sladden och upphör att använda spaet omedelbart. Återställ inte produkten själv. Du måste kontakta din lokala serviceombud för att kontrollera och reparera produkten.**
- Produkten kan användas av barn från åtta år och uppåt och personer med försämrad fysisk, sensorisk eller mental förmåga eller brist på erfarenhet eller kunskap om de hålls under uppsikt eller instruerats i hur produkten används på ett säkert sätt så att de förstår riskerna det innebär. Barn får inte leka med produkten. Rengöring och användarunderhåll för inte utföras av barn utan uppsikt. (För EU)  
Den här anordningen är ej avsedd att användas av personer ( däribland barn), med begränsad fysisk, mental eller sensorisk förmåga, eller bristande erfarenhet och kunskap, om inte denne person är under uppsyn eller fått instruktioner om anordningens användning av en person som är ansvarig för den förre personens säkerhet. Barn bör hållas under uppsyn så de ej kan leka med anordningen. (För länder utanför EU)
- Barn dras till vatten, så täck alltid över spaet efter varje användning.
- Gräv inte ner sladden Dra sladden så att den inte skadas av gräsklippare, häcksaxar eller annan utrustning.
- Risk för drunkningsolyckor Största möjliga försiktighet måste iaktas för att förhindra att barn kommer åt poolen utan lov. För att undvika olyckor, se till att barn inte kan använda poolen utan vuxens uppsikt.
- **RISK FÖR SKADA.** Använd aldrig spaet om in-/utrören är trasiga eller saknas. Försök aldrig ersätta in-/utrören. Konsultera alltid ditt lokala efterförsäljningscenter.
- **RISK FÖR ELEKTRISKA STÖTAR.** Installera alltid åtminstone två meter från alla metallytor.
- **RISK FÖR ELEKTRISKA STÖTAR.** Använd aldrig elektrisk utrustning när du befinner dig i spaet eller när du är våt om kroppen. Placera aldrig elektrisk utrustning, såsom lampor, telefon, radio eller TV, närmre än två meter från spaet.
- Vid graviditet kan det skada fostret att ligga för länge i varmt vatten. Begränsa användandet till tio minuter per gång.
- **FÖR ATT MINSKA SKADERISKEN:**
  - A. Vattentemperaturen i spaet bör aldrig överstiga 40 °C (104°F). Vattentemperatur mellan 38 °C (100°F) och 40 °C (104°F) anses vara säkert för en frisk vuxen. Lägre vattentemperatur rekommenderas för unga barn och när spaet används i mer än 10 minuter.
  - B. Då för höga vattentemperaturer medför en stor risk för fosterskador under graviditetens första månader bör gravida eller kvinnor som skulle kunna vara gravida bada i högst 38 °C (100°F).
  - C. Innan man kliver i spaet bör man kontrollera vattentemperaturen med en tillförlitlig termometer eftersom toleransen hos regulatorn som styr vattentemperaturen varierar.
  - D. Att använda alkohol, droger eller läkemedel innan eller när man använder spaet kan leda till medvetlöshet och drunkningsfara.
  - E. Kraftigt överviktiga personer och personer med en historik av hjärtsjukdomar, lågt eller högt blodtryck, cirkulationsproblem eller diabetes bör konsultera en läkare innan de använder ett spa.
  - F. Personer som tar läkemedel bör rådfråga en läkare innan de använder ett spa då en del läkemedel kan orsaka dåsighet och andra läkemedel kan påverka hjärtfrekvensen, blodtrycket och blodcirkulationen.
- **FÖR ATT MINSKA SKADERISKEN:** Håll aldrig vatten med högre temperatur än 40 °C (104°F) direkt i spapoolen.
- Användning av alkohol, droger eller läkemedel kan innebära en mycket ökad risk för dödlig hypertermi. Hypertermi inträffar när kroppens interna temperatur når en nivå som är flera grader över normal kroppstemperatur på 37 °C (98,6°F). Symptom på hypertermi inkluderar en höjning av i kroppens interna temperatur, yrsel, trötthet, dåsighet och svimning. Effekterna av hypertermi inkluderar oförmåga att känna värme, oförmågan att förstå behovet av att lämna spa eller badkar, brist på medvetenhet om den förestående faran, fosterskador hos gravida

kvinnor, fysisk oförmåga att lämna spa eller badkar, samt medvetslöshet som resulterar i risk för drunkning.

- Elektriska installationer bör följa nationella kabelregler, kontakta en behörig elektriker om du har frågor.

### HÖR MED DIN LÄKARE ANGÅENDE REKOMMENDATIONER. FÖRSIKTIGHET:

- Spaet bör inte monteras eller lämnas ute i temperaturer under 4 °C (40°F).
- Använd inte spaet ensam.
- Personer med smittosamma sjukdomar bör inte använda spaet.
- Använd inte spaet omedelbart efter ansträngande träning.
- Ta det alltid långsamt och försiktigt när du kliver i och ur spaet. Våta ytor är hala.
- För att undvika att pumpen skadas får spaet aldrig användas om det inte är fyllt med vatten.
- Lämna omedelbart spaet om du känner dig obekvämt eller sömrig.
- Tillsätt aldrig vatten till kemikalier. Tillsätt alltid kemikalier till vatten för att undvika starka ångor eller våldsamma reaktioner som kan resultera i farliga kemiska stänk.
- När det gäller information som rör rengöring, underhåll av vatten och bortskaffande av vatten, se avsnittet "underhåll".
- När det gäller information som rör installationen, hänvisas till nedanstående stycke av manualen.

### OBS:

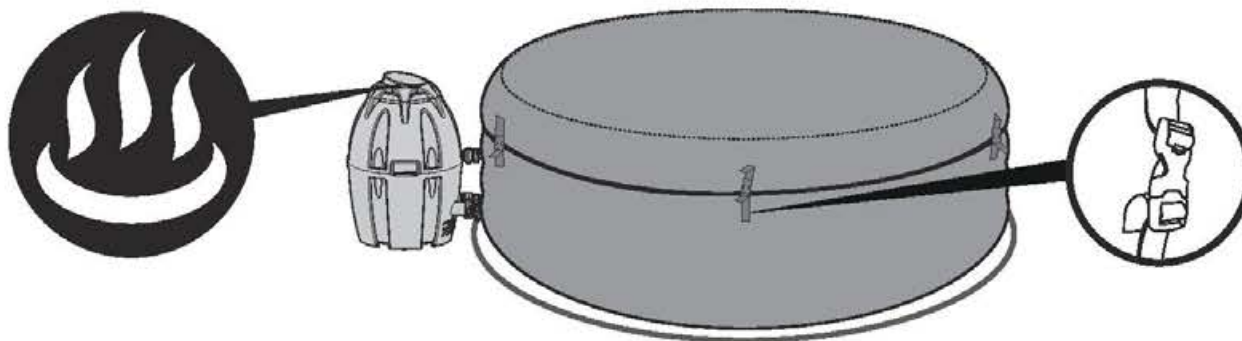
- Kontrollera utrustningen varje gång innan den används. Meddela Bestway via kundtjänstadressen som står uppskriven i manualen i händelse av skadade eller saknade delar vid inköpstillfället. Kontrollera att utrustningens delar motsvarar modellen du ämnade köpa.
- Produkten är ej avsedd för kommersiellt bruk.

## SPARA DESSA ANVISNINGAR

### VIKTIGT!

För att uppnå 40 °C (104°F), beror den uppvärmningstid som krävs på temperatur på vattnet innan uppvärmning samt omgivningstemperaturen, informationen nedan är endast som referens. För att visa aktuell vattentemperatur, kör filtersystemet i minst en minut.

Omgivande temperatur	Vattentemperatur	Fastställd temperatur	Uppvärmningstid
10°C(50°F)	10°C(50°F)	40°C(104°F)	18,5h
15°C(59°F)	15°C(59°F)	40°C(104°F)	15h
20°C(68°F)	20°C(68°F)	40°C(104°F)	11,5h
25°C(77°F)	25°C(77°F)	40°C(104°F)	8,5h
30°C(86°F)	30°C(86°F)	40°C(104°F)	5,5h



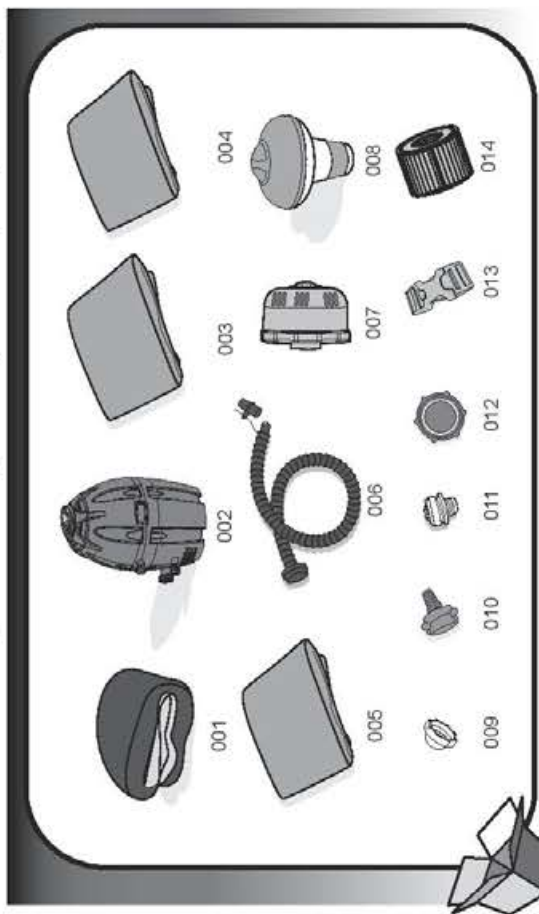
Se till att täcka spaet med spaskyddet när uppvärmningsfunktionen är aktiverad. Om spaet ej är täckt ökar uppvärmningstiden.  
Använd inte spaet om omgivande temperatur är lägre än 4° (39°F).



## SPECIFIKATIONER FÖR LAY-Z-SPA™ VEGAS AirJet (#54112)

Kapacitet:	4-6 Vuxna	Massage turbo:	800W	Ökad värme hastighet:	Ungelärligen 1,5-2°C/h (3-4°F/h)
Vattenkapacitet (80 %):	935 L (247 gal)	Värmelement:	2.000W vid 20°C	Faktiskt vattenflöde:	1.325 L/h (350 gal/h)
Uppblåst storlek:	1,96m x 61cm (77" x 24")	Pump:	50W Cirkulationfilterpump	Ström:	220-240V AC, 2.050W vid 20°C
Fyllid vikt:	966 kg (2.130 Lb)	Temperaturkapacitet:	40°C (104°F)	Driftstryck:	0,9PSI (0,055Bar)

**OBS:** Övan uppvärmningshastighet baseras på resultat från labbtest med en omgivande temperatur på 25 °C (77°F) och högre.



PRODUKTNR.	Produktkod	Beskrivning	Antal
001	54112TASS15	Poolfoder	1
002	P4H054ASS17	Spavärmare	1
003	P5H284GASS17	Overdrag i läderimitation	1
004	P5H284TASS17	Poolduksöverdrag i läderimitation	1
005	54112GASS15	Uppblåsbart överdrag	1
006	P6931	Uppblåsningsslang	1
007	P6653	Filterset	1
008	58426S17	Floater	1
009	P6575	Propp	2
010	P6932	Slangadapter	1
011	F4A024ASS	Skruvventil	1
012	P6611	Skydd Adapter A	1
013	F6414ASS	Spanne	8
014	58323	Filterpatron (VI)	2

## SPECIFIKATIONER FÖR LAY-Z-SPA™ MONACO AirJet (#54113)

Kapacitet:	6-8 Vuxna	Massage turbo:	800W	Ökad värme hastighet:	Ungelärligen 1,0-1,5°C/h (2-3°F/h)
Vattenkapacitet (80 %):	1.463 L (384 gal.)	Värmelement:	2.000W vid 20°C	Faktiskt vattenflöde:	1.325 L/h (350 gal/h)
Uppblåst storlek:	2,01m x 69cm (79" x 27")	Pump:	50W Cirkulationfilterpump	Ström:	220-240V AC, 2.050W vid 20°C
Fyllid vikt:	1.490 kg (3.284 Lb)	Temperaturkapacitet:	40°C (104°F)	Driftstryck:	7PSI-10PSI (0,48Bar-0,69Bar)

**OBS:** Övan uppvärmningshastighet baseras på resultat från labbtest med en omgivande temperatur på 25 °C (77°F) och högre.

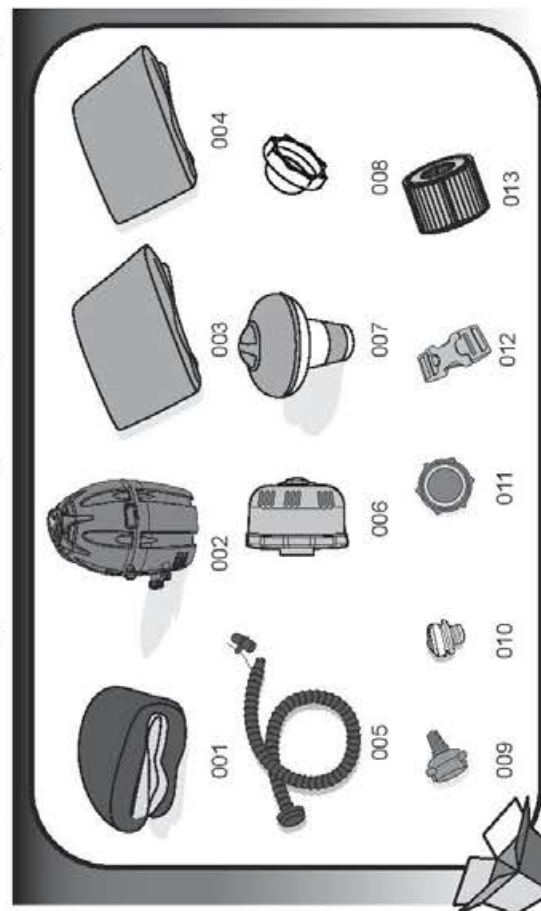


PRODUKTNR.	Produktkod	Beskrivning	Antal
001	54113TASS17	Poolfoder	1
002	P4D148ASS17	Spavärmare	1
003	P5D288BASS17	Overdrag i läderimitation	1
004	54113GASS17	Uppblåsbart överdrag	1
005	P6931	Uppblåsningsslang	1
006	P6653	Filterset	1
007	58426S17	Floater	1
008	P3054Q17	Högtryckshandpump	1
009	F6H189ASS15	Skriftryckel	1
010	P6575	Propp	2
011	P6932	Slangadapter	1
012	P6608	Tryckmätare	1
013	P6611	Skydd Adapter A	1
014	12632ASS15	Uppblåsbara kuddar	4
015	P6H1971	Inluftsventil	1
016	F6414ASS	Spanne	6
017	58323	Filterpatron (VI)	2

## SPECIFIKATIONER FÖR LAY-Z-SPA™ MIAMI AirJet (#54123)

Kapacitet:	2-4 Vuxna	Massage turbo:	800W	Ökad varmhastighet:	Ungelärligen 1,5-2°C/h (3-4°F/h)
Vattenkapacitet (80 %):	669 L (177 gal)	Värmelement:	2.000W vid 20°C	Faktiskt vattenflöde:	1.325 L/h (350 gal/h)
Uppblåst storlek:	1,80m x 66cm (7'1" x 26")	Pump:	50W Cirkulationsfilterpump	Ström:	220-240V AC, 2.050W vid 20°C
Fyllid vikt:	696 kg (1.534 Lb)	Temperaturkapacitet:	40°C (104°F)	Driftstryck	0,8PSI (0,055Bar)

**OBS:** Övan uppvärmningshastighet baseras på resultat från labbtest med en omgivande temperatur på 25 °C (77°F) och högre.

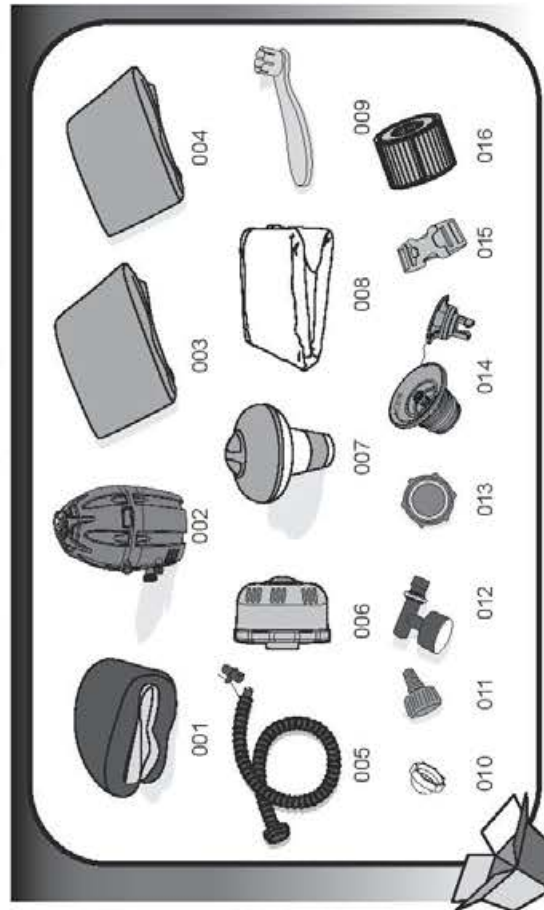


PRODUKTNR.	Produktkod	Beskrivning	Antal
001	54123TASS17	Poolduk	1
002	P4H054ASS17	Spavärmare	1
003	P5C364ASS17	Forstärkningsoverdrag	1
004	54123GASS17	Uppblåsbart överdrag	1
005	P6931	Uppblåsningsslang	1
006	P6653	Filterset	1
007	58426S17	Floater	1
008	P6575	Propp	2
009	P6932	Slangadapter	1
010	F4024ASS	Skruvventil	1
011	P6611	Skydd Adapter A	1
012	F6414ASS	Spanne	6
013	58323	Filterpatron (VI)	2

## SPECIFIKATIONER FÖR LAY-Z-SPA™ PALM SPRINGS AirJet (#54129)

Kapacitet:	4-6 Vuxna	Massage turbo:	800W	Ökad varmhastighet:	Ungelärligen 1,5-2°C/h (3-4°F/h)
Vattenkapacitet (80 %):	916 L (242 gal)	Värmelement:	2.000W vid 20°C	Faktiskt vattenflöde:	1.325 L/h (350 gal/h)
Uppblåst storlek:	1,96m x 71cm (7'7" x 28")	Pump:	50W Cirkulationsfilterpump	Ström:	220-240V AC, 2.050W vid 20°C
Fyllid vikt:	964 kg (2.103 Lb)	Temperaturkapacitet:	40°C (104°F)	Driftstryck	1,2PSI (0,08Bar)

**OBS:** Övan uppvärmningshastighet baseras på resultat från labbtest med en omgivande temperatur på 25 °C (77°F) och högre.

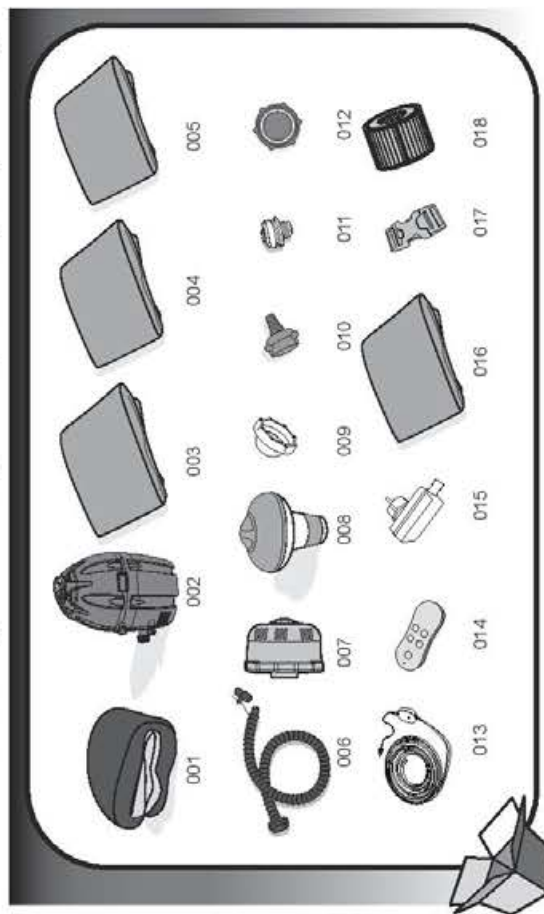


PRODUKTNR.	Produktkod	Beskrivning	Antal
001	54129TASS17	Poolfoder	1
002	P4E079ASS17	Spavärmare	1
003	P5B401ASS17	Överdrag i läderimitation	1
004	54129GASS17	Uppblåsbart överdrag	1
005	P6930	Uppblåsningsslang	1
006	P6653	Filterset	1
007	58426S17	Floater	1
008	58321(H)S15	Markduk	1
009	F6H189ASS15	Skitnyckel	1
010	P6575	Propp	2
011	P6H565	Slangadapter	1
012	P6T199	Tryckmatare	1
013	P6611	Skydd Adapter A	1
014	P6H971	Inluftsventil	1
015	F6414ASS	Spanne	6
016	58323	Filterpatron (VI)	2

## SPECIFIKATIONER FÖR LAY-Z-SPA™ PARIS AirJet (#54148)

Kapacitet:	4-6 Vuxna	Massage turbo:	800W	Okad värmehastighet:	Ungfärligen 1,5-2°C/h (3-4°F/h)
Vattenkapacitet (80 %):	805 L (213 gal)	Värmelement:	2.000W vid 20°C	Faktiskt vattentöde:	1.325 L/h (350 gal/h)
Uppblåst storlek:	1,96m x 66cm (77" x 26")	Pump:	50W Cirkulationsfilterpump	Ström:	220-240V AC, 2.050W vid 20°C
Fyllid vikt:	840 kg (1.851 Lb)	Temperaturkapacitet:	40°C (104°F)	Driftstryck:	0,9PSI (0,055Bar)

**OBS:** Övan uppvärmningshastighet baseras på resultat från labbtest med en omgivande temperatur på 25 °C (77°F) och högre.

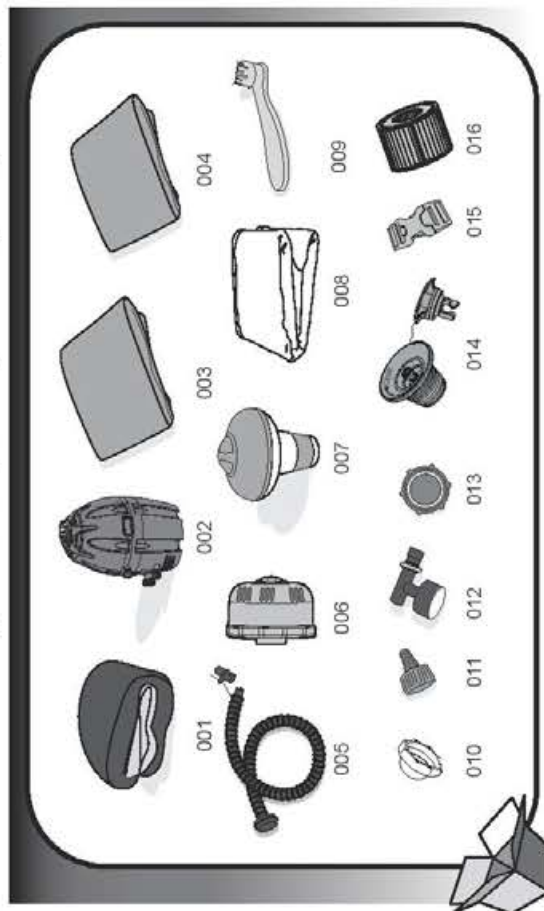


PRODUKTNR.	Produktkod	Beskrivning	Antal
001	54148TASS16	Poolfoder	1
002	P4H054AASS17	Spavarmare	1
003	P5H284GASS17	Överdrag i läderimitation	1
004	P5H513TASS17	Poolduksoverdrag i läderimitation	1
005	54148GASS16	Uppblåsbart överdrag	1
006	P6931	Uppblåsningsslang	1
007	P6653	Filterset	1
008	58426S17	Floater	1
009	P6575	Propp	2
010	P6932	Slangadapter	1
011	F4A024AASS	Skruvventil	1
012	P6611	Skydd Adapter A	1
013	P61670	LED-list	1
014	P61232	Fjärrkontroll	1
015	P61671	Transformator	1
016	58321(H)S15	Markduk	1
017	F6414AASS	Spänne	8
018	58323	Filterpatron (VI)	2

## SPECIFIKATIONER FÖR LAY-Z-SPA™ HAWAII AirJet (#54154)

Kapacitet:	4-6 Vuxna	Massage turbo:	800W	Okad värmehastighet:	Ungfärligen 1,5-2°C/h (3-4°F/h)
Vattenkapacitet (80 %):	840 L (222 gal.)	Värmelement:	2.000W vid 20°C	Faktiskt vattentöde:	1.325 L/h (350 gal/h)
Uppblåst storlek:	1,80m x 1,80m x 71cm (71" x 71" x 28")	Pump:	50W Cirkulationsfilterpump	Ström:	220-240V AC, 2.050W vid 20°C
Fyllid vikt:	879 kg (1.938 Lb)	Temperaturkapacitet:	40°C (104°F)	Driftstryck:	1,2PSI (0,08Bar)

**OBS:** Övan uppvärmningshastighet baseras på resultat från labbtest med en omgivande temperatur på 25 °C (77°F) och högre.

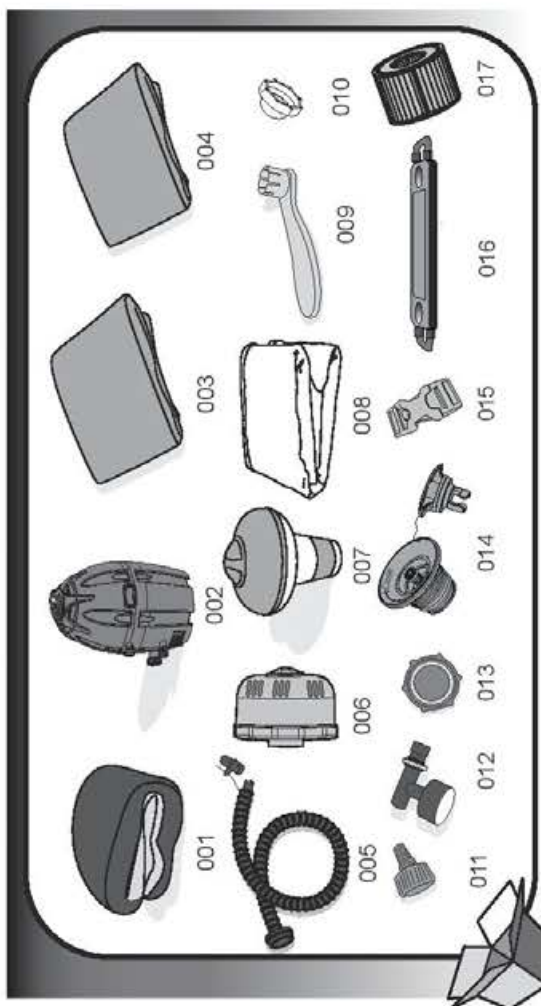


PRODUKTNR.	Produktkod	Beskrivning	Antal
001	54154TASS17	Poolfoder	1
002	P4D148AASS17	Spavarmare	1
003	P5D588GASS17	Överdrag i läderimitation	1
004	54138GASS17	Uppblåsbart överdrag	1
005	P6930	Uppblåsningsslang	1
006	P6653	Filterset	1
007	58426S17	Floater	1
008	58371(H)S15	Markduk	1
009	F6H189AASS15	Skifttryckel	1
010	P6575	Propp	2
011	P6H565	Slangadapter	1
012	P61199	Tryckmätare	1
013	P6611	Skydd Adapter A	1
014	P6H971	Inluftsventil	1
015	F6414AASS	Spänne	8
016	58323	Filterpatron (VI)	2

## SPECIFIKATIONER FÖR LAY-Z-SPA™ SIENA AirJet (#54156)

Kapacitet:	2 Vuxna	Massage turbo:	800W	Oljad	Ungjefärligen
Vattenkapacitet (80 %)	509 L (134 gal.)	Värmelement:	2.000W vid 20°C	värme hastighet:	2,2,5°C/h (3,5-4,5°F/h)
Uppblåst storlek	2,49m x 1,49m x 66cm (98" x 59" x 26")	Pump:	50W	Faktiskt vattentlöde:	1.325 L/h (350 gal/h)
Fyllid vikt:	548 kg (1.205 Lb)	Temperaturkapacitet:	40°C (104°F)	Ström:	220-240V AC, 2.050VA vid 20°C
				Drifttryck:	1,2PSI (0,08Bar)

**OBS:** Övan uppvärmningshastighet baseras på resultat från labbtest med en omgivande temperatur på 25 °C (77°F) och högre.



PRODUKTNR	Produktkod	Beskrivning	Antal
001	54156TASS17	Poolfoder	1
002	P4H054ASS17	Spavarmare	1
003	P5694ASS17	Överdrag i ledimitation	1
004	54156GASS17	Uppblåsbart överdrag	1
005	P6930	Uppblåsningsslang	1
006	P6653	Filterset	1
007	58426S17	Floater	1
008	P5696	Markduk	1
009	F6H189ASS15	Skittryckel	1
010	P6675	Propp	2
011	P6H565	Slangadapter	1
012	P61199	Tryckmätare	1
013	P6611	Skydd Adapter A	1
014	P6H971	Inluftsventil	1
015	F6414ASS	Spanne	8
016	P5595	Dryckesbord	1
017	58323	Filterpatron (VI)	2

## INSTALLATION

### Vald plats

**WARNING:** Valda platsen måste kunna stödja den förväntade belastningen.

**WARNING:** Ett adekvat dräneringssystem måste tillhandahållas för att hantera spillvatten för både inomhus- och utomhusinstallationer.

**VIKTIGT:** På grund av den sammanlagda vikten av Lay-Z-Spa, vatten och användare, är det oerhört viktigt att basen där Lay-Z-Spa installeras är slät, plan och kan ge enhetligt stöd för vikten för hela den tid Lay-Z-Spa är installerad (inte på en matta eller annat liknande material). Om Lay-Z-Spa placeras på en yta som inte uppfyller dessa krav, är skador orsakade av felaktigt stöd inte täckta av tillverkarens garanti. Det åligger ägaren till Lay-Z-Spa att säkerställa funktionaliteten hos platsen vid alla tidpunkter.

### 1. Installation inomhus:

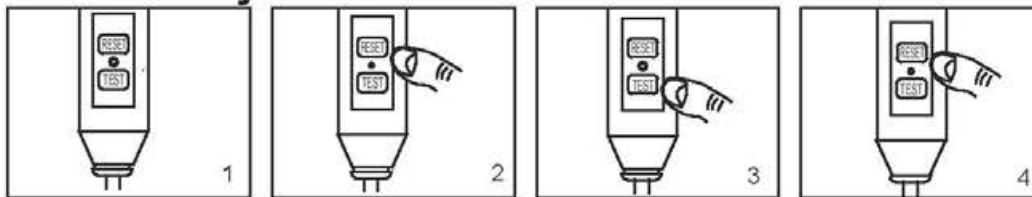
**Var medveten om särskilda krav om du installerar spa inomhus.**

- Luftfuktighet är en naturlig bieffekt med Lay-Z-Spa installation. Avgör effekterna av luftburen fukt på utsatt trä, papper, etc. på den föreslagna platsen. För att minimera dessa effekter är det bäst att se till att det finns god ventilation vid det valda området. En arkitekt kan hjälpa till att avgöra om det krävs mer ventilation.

### 2. Installation utomhus:

- Under fyllning, tömning eller vid användning kan vatten rinna ut ur spa. Därför bör Lay-Z-Spa installeras nära en golvbrunn.
- Låt inte spaets yta utsättas för direkt solljus under långa tidsperioder.

## Jordfelsbrytartest



**OBS:** Bilderna är endast avsedda som förklaring. De kan skilja sig från den faktiska produkten. Är ej skalenäliga.

1. Sätt i kontakten.
2. Tryck på "RESET"-knappen, indikatorns ljus slås på.
3. Tryck på "TEST"-knappen, indikatorns ljus släcks.
4. Tryck på "RESET"-knappen, indikatorns ljus slås på.
5. Tryck på "Av/På"-knappen i 2 sekunder, din pump är klar att användas.

**WARNING:** Jordfelsbrytar-kontakten måste testas innan den används för att undvika risken för elektriska stötar.

**WARNING:** Innan kontakten sätts i eluttaget, se till att strömstyrkan överensstämmer med den som är angiven på pumpen.

**WARNING:** Använd ej pumpen om detta test misslyckas, och kontakta vår kundservice.



**OBS:** När du blåser upp den, kommer du att märka att luft sipprar ut från området där luftslangen kopplas till pumpen, detta är normalt för krav på tekniken.

**OBS:** Använd inte en luftkompressor för att blåsa upp poolen.

**OBS:** Dra inte poolen längs marken, detta kan skada poolduken.

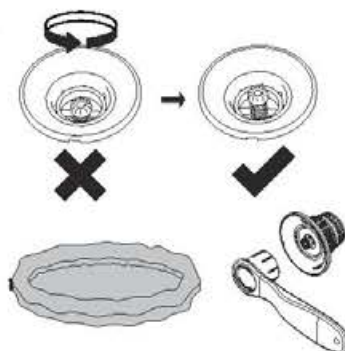
**OBS:** Uppblåsningstiden är enbart som referens.

**OBS:** Tryckmätaren är enbart till för uppblåsning, trycket som visas är enbart som referens och ska inte användas som ett precisionsinstrument.



### Luftventilskontroll (för spa med snabb inflations-/deflationsventil)

Kontrollera alltid luftventilen noggrant innan uppblåsning att säkerställa att det inte finns luftläckor. Om luftventilen är lös, använd den medföljande skiftnyckeln för att fästa luftventilen på följande sätt: Håll i baksidan av luftventilen från insidan av spa väggen med en hand och vrid nyckeln medurs.

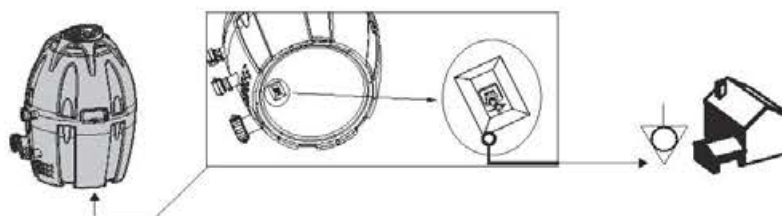


**OBS:**

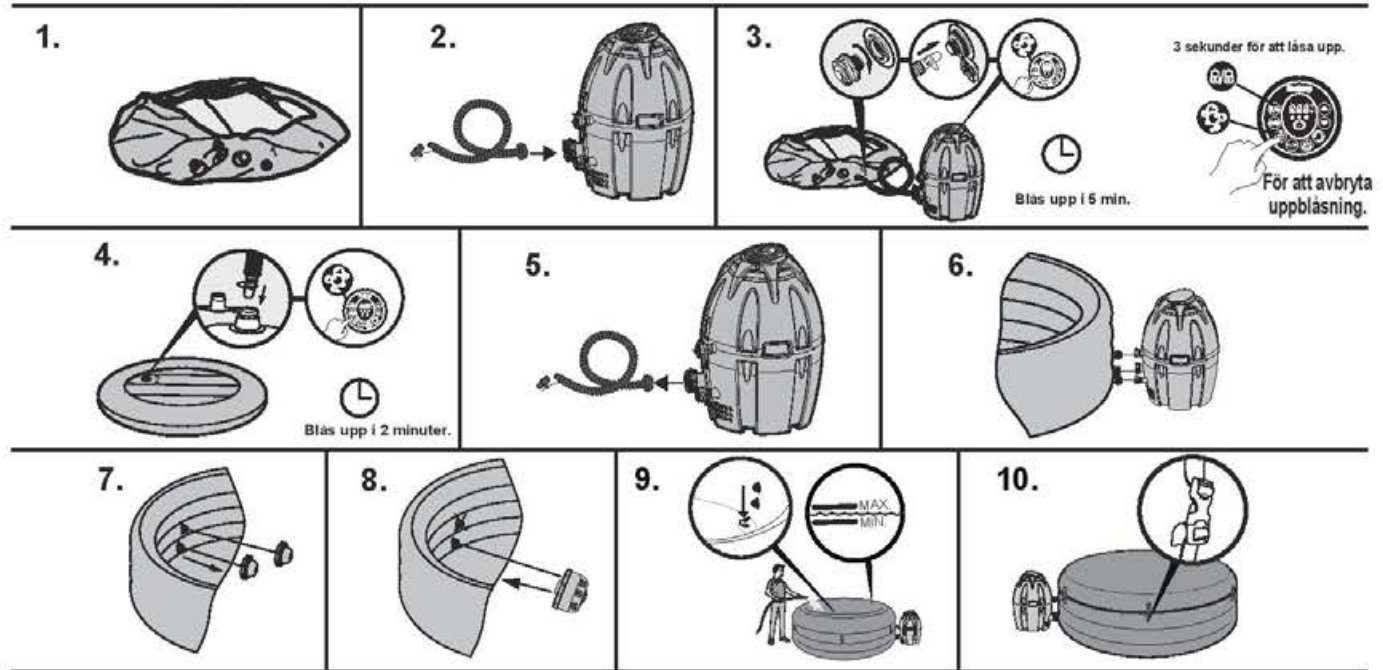
1. Dra inte åt för hårt.
2. Justera inte luftventilsanslutningen när spaet används.

### POTENTIALUTJÄMNANDE TERMINAL FÖR SPA-PUMP

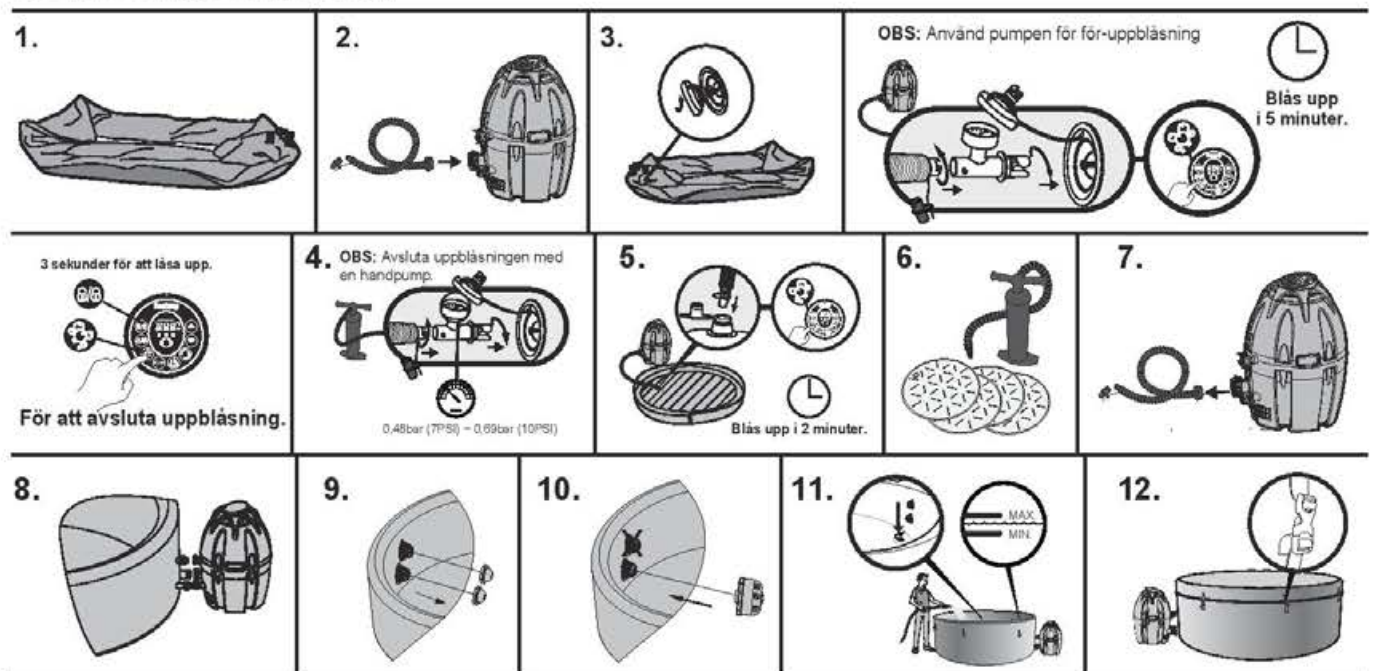
Vi rekommenderar att en behörig elektriker ansluter SPA-badspumpen till ett jordningsuttag med en (minimum) 2,5mm<sup>2</sup> fast kopparledare.



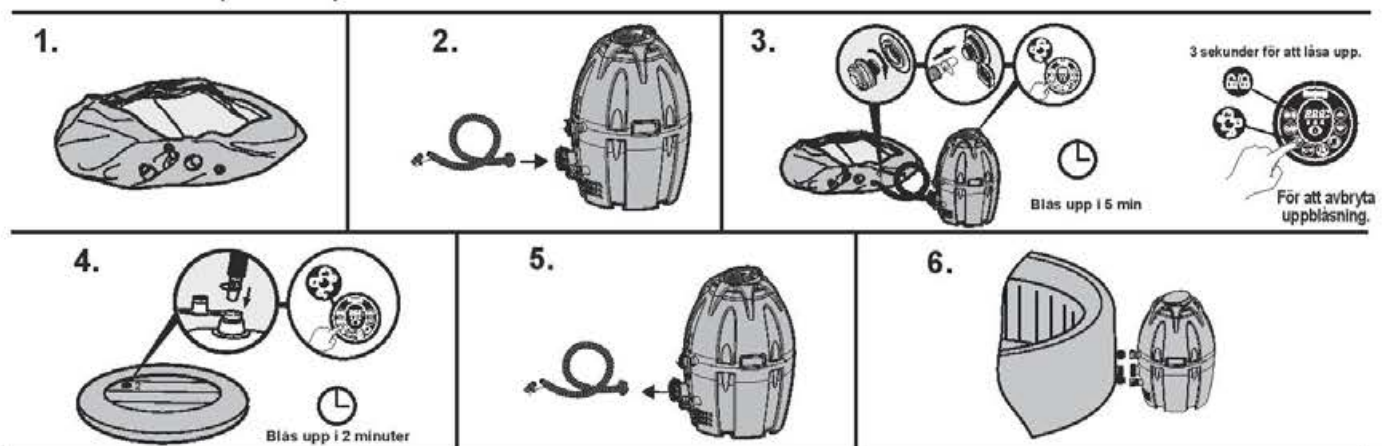
## VEGAS AirJet (#54112)

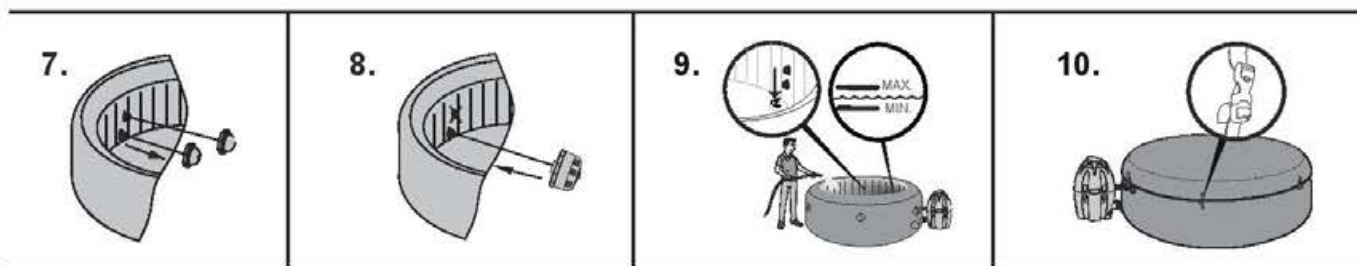


## MONACO AirJet (#54113)

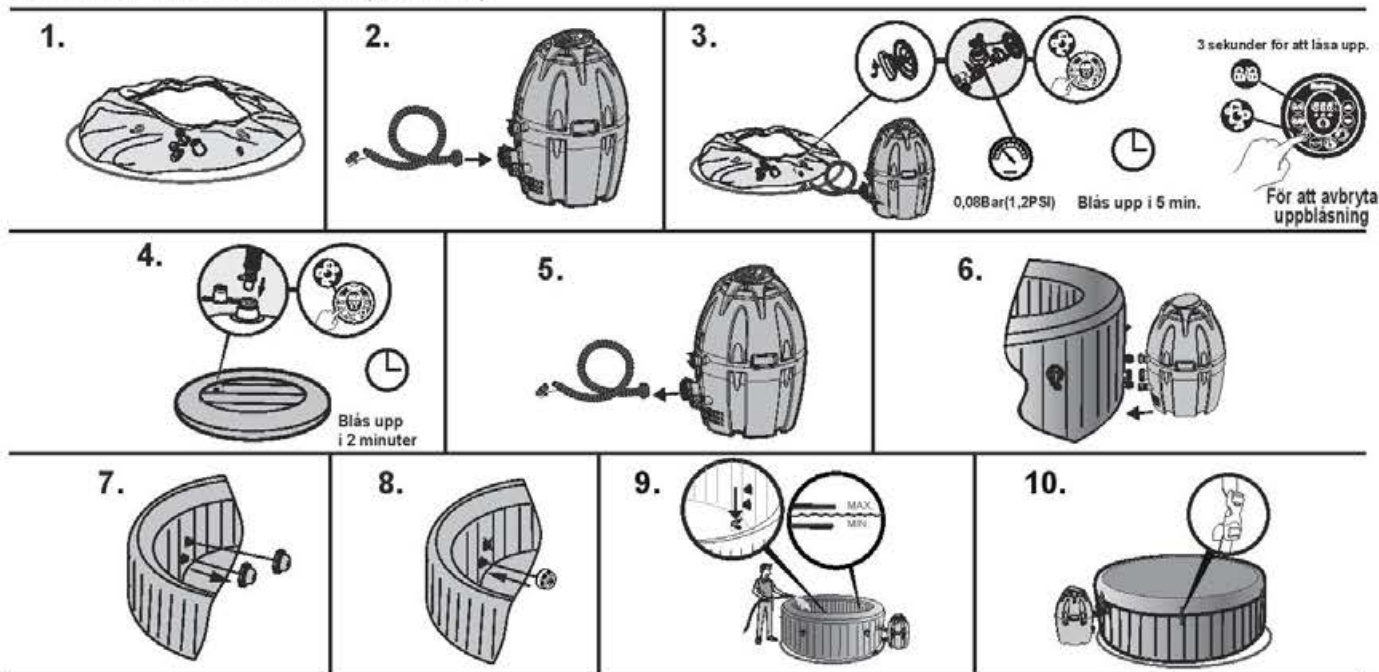


## MIAMI AirJet (#54123)

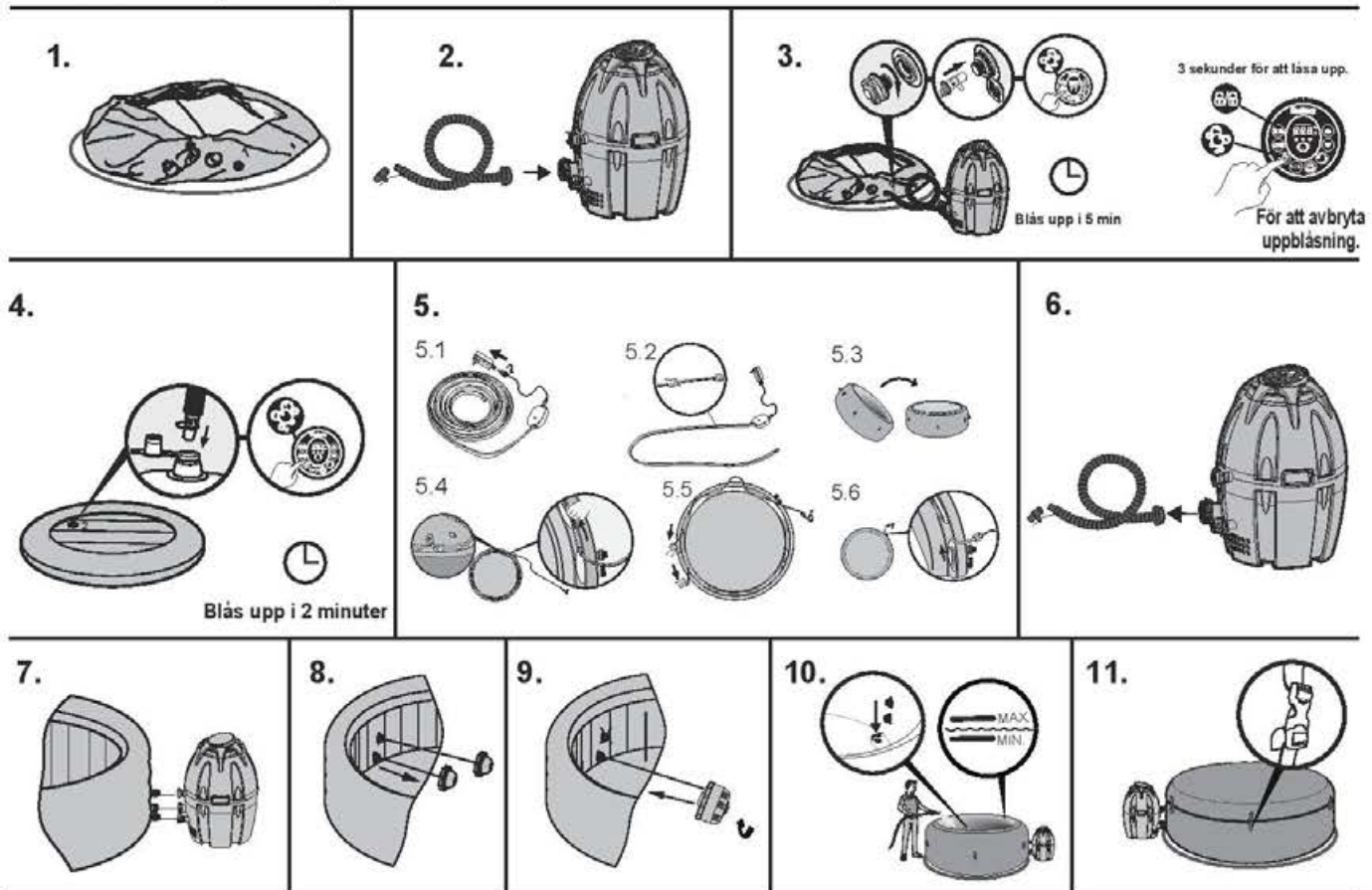




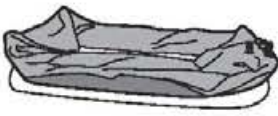

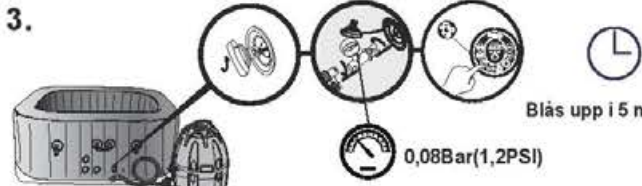


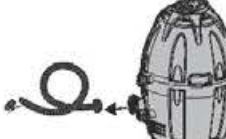



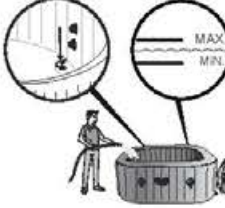

**PALM SPRINGS AirJet (#54129)**




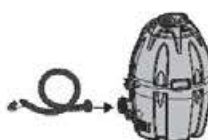
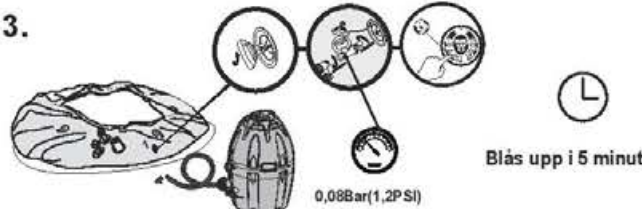

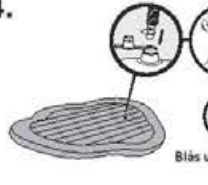




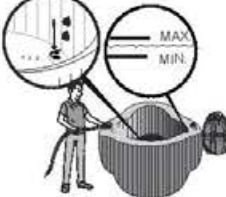
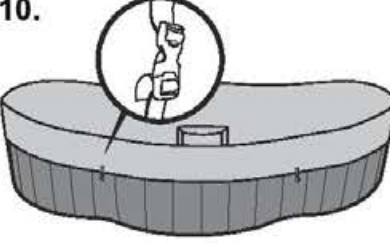

**PARIS AirJet (#54148)**



## HAWAII AirJet (#54154)

<p>1.</p> 	<p>2.</p> 	<p>3.</p> 	
<p>3 sekunder för att låsa upp.</p>  <p>För att avsluta uppblåsning.</p>	<p>4.</p>  <p>Blås upp i 2 minuter.</p>	<p>5.</p> 	<p>6.</p> 
<p>7.</p> 	<p>8.</p> 	<p>9.</p> 	<p>10.</p> 

## SIENA AirJet (#54156)

<p>1.</p> 	<p>2.</p> 	<p>3.</p> 	
<p>3 sekunder för att låsa upp.</p>  <p>För att avsluta uppblåsning.</p>	<p>4.</p>  <p>Blås upp i 2 minuter.</p>	<p>5.</p> 	<p>6.</p> 
<p>7.</p> 	<p>8.</p> 	<p>9.</p> 	
<p>10.</p> 	<p>11.</p> 		



## PUMPDRIFT

### Värmeåterställning

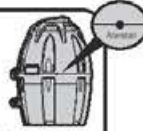
När Lay-Z-Spa används första gången, eller efter att inte ha används på lång tid, se till att trycka på återställningsknappen på pumpen med ett litet tunt föremål.

### ÅTERSTÄLLNINGSKNAPP

#### VIKTIGA ANVÄNDARINSTRUKTIONER

Om temperaturen på kontrollpanelen (eller vattentemperaturen) inte har förändrats 4-5 timmar efter att värmesystemet aktiverades ska du använda ett tunt föremål för att trycka på återställningsknappen och starta om värmesystemet.

**VIKTIGT:** Värmesystemet kommer inte att fungera om utomhustemperaturen är över 40° C (104 °F) eller om Lay-Z-Spa befinner sig i direkt solljus. Under dessa förhållanden ska du vänta tills det är svalare ute innan du trycker på ÅTERSTÄLLNINGSKNAPPEN med ett tunt föremål och startar om värmesystemet.



### A LÄS-/LÄS UPPKNAPP

Pumpen har ett 5 min autolås. LED-lampan kommer att dämpas ut när pumpen är låst (ingen funktion är aktiverad). För att låsa upp pumpen, placera ett finger på läs-/läs uppknappen i 3 sekunder.

### B Energibesparande timer-knapp

Detta är en ny funktion, utformad för se till att spara ström vid inställning av tid och varaktighet för uppvärmningscykeln för spaet. På så sätt kan du njuta av spaet då du vill, utan att behöva ha vattenvärmaren på hela tiden.

#### STEG 1: Ställ in uppvärmningstiden

- Tryck på -knappen och LED-lampan börjar blinka.
- Tryck på eller -knappen för att justera uppvärmningstiden (Från 1–48 timmar).
- Tryck på -knappen igen för att bekräfta uppvärmningstiden.

#### STEG 2: Ställ in antalet timmar FRÅN NU till när vattenvärmaren skall aktiveras

- Efter att ha ställt in uppvärmningstiden, kommer LED-lampan att börja blinka.
- Tryck på eller -knappen för att justera uppvärmningstiden (Från 0-99 timmar).
- Tryck på -knappen igen eller låt bli att röra något i 10 sekunder för att bekräfta inställningen. LED-lampan lyser med ett fast sken och nedräkningen för vattenvärmarens aktivering startar.

**Justera timer-inställningar:** Tryck på -knappen och använd eller -knappen för att justera.

**Avbryt inställningen:** Tryck på -knappen i 2 sekunder.

**OBS:** Efter att inställningarna är gjorda visar skärmen aktuell temperatur och tid växelvis.

**OBS:** Timer-justering (tid som värmaren står PÅ) kan ställas in på 1 till 48 timmar.

Reserverings-tidsjustering (antal timmar FRÅN NU tills att värmaren startar) kan ställas in på 0 till 99 timmar. Om timern är satt till 0 timmar, kommer värmesystemet aktiveras omedelbart.

Observera att timern enbart kör en cykel – användaren ställer in längden för uppvärmningscykeln, och hur många timmar från aktuell tid som uppvärmningscykeln skall starta. Timern startar EJ på nytt förrän den återställs.

### C Lay-Z-Massage systemknapp

Använd denna knapp för att aktivera massagesystemet, vilket stängs av automatiskt efter 30-minuter. När det lyser rött ovanför Lay-Z-Massage System-knappen är det aktiverat.

**VIKTIGT:** Sätt ej på Lay-Z-Massage System när skyddet ligger på. Luft kan då samlas inne i poolen och kan orsaka skador som inte går att reparera, samt kroppsskada.

**OBS:** Värme- och massagesystem arbetar tillsammans för att skapa en varm massageupplevelse.



### D Celsius/Fahrenheit-omkopplare

Temperaturen kan visas i Fahrenheit eller Celsius.

### E Värmeknapp

Denna knapp aktiverar värmesystemet. När det lyser rött ovanför värmeknappen, är värmesystemet aktiverat. När det lyser grönt, har vattnet nått den installerade temperaturen och värmesystemet är i viloläge.

**OBS:** Om värmesystemet aktiveras, startar filtersystemet automatiskt.

**OBS:** När värmesystemet stängs av fortsätter filtersystemet att vara igång.

### F Vattenfilterknapp

Denna knapp slår på och av filterpumpen. När det lyser rött ovanför vattenfilterknappen är den aktiverad.

### G Temperaturjusteringsknappar

Genom att trycka på knapparna för att öka eller sänka temperaturen kommer LED en att blinka. När den blinkar kan du anpassa inställningen till önskad temperatur. Om du håller ner dessa knappar kommer värdena snabbt att öka eller minska. Den nya och önskade temperatur-inställningen kommer att bli kvar på LED-skärmen under 3 sekunder för att bekräfta den nya värdet.

**OBS:** Standardtemperaturen är 50° C (122° F).

**OBS:** Temperaturjustering sträcker sig från 20° C (68° F) till 40° C (104° F).

### H Av/på-knapp

Tryck på den här knappen i 2 sekunder för att aktivera kontrollpanelensknapparna och ljuset blir grönt. Tryck på den här knappen i två sekunder för att stänga av de aktuella funktionerna.

### I Energibesparande timer-LED

När detta LED blinkar innebär det att du ställer in uppvärmningstiden. Lampan kommer att vara på när uppvärmningsfunktionen börjar fungera.

När detta LED blinkar innebär det att du ställer in antalet timmar från och med nu när värmaren aktiveras. När ljuset är på, är energispartimerfunktionen inställd.

### J LED-display

När den startats visar LED den aktuella vattentemperaturen automatiskt.

Efter 72 timmars filtrering (utan att använda energispartimerfunktion), kommer pumpen gå i vila och blinka "End" med den aktuella vattentemperaturen. När pumpen är i vila är både uppvärmning och vattenfilter-funktioner inaktiverade. För att återaktivera pumpen, tryck in läs/läs uppknappen i 3 sekunder.

**OBS:** Vattenvärmetakten kan förändras vid nedanstående villkor:

• När utomhustemperaturen är lägre än 15° C (59° F).

• Om overtäckningen inte är på plats när uppvärmningsfunktionen är aktiverad.

**OBS:** För att visa aktuell vattentemperatur, kör filtersystemet i minst en minut. Vattentemperaturen från den externa termometern kan variera jämfört med den temperatur som visas på SPA-badets panel med så mycket som upp till 2° C.

## Larm

Orsaker	Anledningar	Lösningar
E01	Vattenflödessensorerna fungerar utan att man trycker på filter- eller uppvärmningsknappen	1. Vattenflödessensorernas flaggor föll inte tillbaka i rätt läge 2. Vattenflödessensorerna är trasiga
E02	Efter att ha startat funktionerna för filtrering och/eller uppvärmning eller medan de går upptäcker inte vattenflödessensorerna något vattenflöde.	1. Du har glömt att avlägsna de två locken inuti poolen 2. Filterpatronerna är smutsiga 3. Aktivera filtrerings- eller uppvärmningssystemet och placera din hand framför utloppsröret inuti poolen för att kontrollera om du kan känna vattnet flöda ut a. Om inget vatten flödar ut är vattenpumpen trasig b. Vatten flödar ut men larm  dyker upp. Vattenflödessensorerna är trasiga
E03	Pumpens termometer anger en vattentemperatur på under 4°C (40°F)	1. Vattentemperaturen är lägre än 4°C (40°F) 2. Om vattentemperaturen är högre än 7° C (44,6° F), är pumpens termometer trasig
E04	Pumpens termometer anger en vattentemperatur på över 50°C (122°F)	1. Vattentemperaturen är högre än 50°C (122°F) 2. Om vattentemperaturen är lägre än 7° C (44,6° F), är pumpens termometer trasig
E05	Problem med pumpens termometerkontakter	1. Pumpens termometerkontakter fungerar inte som de ska 2. Pumpens termometer är trasig
E08	Den manuella återställningen för överhettningsskyddet har problem.	Den manuella återställningen för överhettningsskyddet har utlösts
		1. Dra ut pluggen försiktigt, slå försiktigt sidan av pumpen och sätt tillbaka pluggen 2. Kontakta din lokala Bestway kundservice för instruktioner
		1. Avlägsna de två locken innan uppvärmning, se stycket Montering i användarmanualen 2. Avlägsna filtersetet från inuti poolen och tryck på filter- eller uppvärmningsknappen. Om inget larm dyker upp, rengör och byt ut filterpatronerna och installera filtersetet inuti poolen 3. Kontakta din lokala Bestway kundservice för instruktioner
		1. SPA-badet är inte utformat för att användas med en vattentemperatur lägre än 4°C (40°F). Koppla ur pumpen och sätt på pumpen igen först när vattentemperaturen nått 6°C (43°F) 2. Kontakta din lokala Bestway kundservice för instruktioner
		1. SPA-badet är inte utformat för att användas med en vattentemperatur som är högre än 40°C (104°F). Koppla ur pumpen och sätt på pumpen igen först när vattentemperaturen nått 38°C (100°F) eller lägre <b>VIKTIGT:</b> Innan du startar om pumpen, tryck in pumpens återställningsknapp 2. Kontakta din lokala Bestway kundservice för instruktioner
		Kontakta din lokala Bestway kundservice för instruktioner
		1. Koppla ifrån pumpen och tryck på återställningsknappen, därefter kopplar du in pumpen igen. 2. Om larmet fortfarande visas kontrollera då avsnittet ÅTERSTÄLLNINGSKNAPP i manualen. 3. Kontakta din lokala Bestway kundservice för instruktioner

## UNDERHÅLL

**OBS! Din spa kommer att behöva att ytterligare luft tillsätts från gång till gång. Förändringar i temperatur från dag till natt kommer att förändra trycket i spaet och kan orsaka en viss deflation. Följ monteringsanvisningarna och dränera spa innan uppblåsning till det exakta tryck som behövs.**

**CAUTION: FÖRSIKTIGHET: SE TILL ATT PUMPEN ÄR URKOPPLAD INNAN UNDERHÅLL PÅBÖRJAS, ANNARS KAN DET LEDA TILL ALLVARLIGA SKADOR ELLER DÖDSFALL.**

### Underhåll av filterpatron

OBS: För att säkerställa att ditt spavatten förblir rent, kontrollera och rengör filterpatronerna varje dag genom att följa stegen nedan.

OBS: Vi rekommenderar att byta dina filterpatroner varje vecka eller om filterpatronerna blir smutsiga och missfärgade, skall de bytas ut.



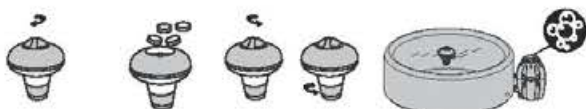
### Underhåll av vatten

Allt hålla ditt spavatten rent och kemiskt balanserat är nödvändigt. Allt endast rengöra filterpatronen är inte tillräckligt för korrekt underhåll, vi rekommenderar att du använder poolkemikalier för att upprätthålla vattenkemin och klor- eller bromtabletter (använd inte granulat) med den kemiska flottören.

Som vägledning bör vattnet bytas ungefär var 3:e dag. Detta är bara en vägledning, vattenkvaliteten påverkas av användningsfrekvens, antal personer som använder spaet och allmänt underhåll.

OBS: Vi rekommenderar att du tar en dusch innan du använder Lay-Z-Spa, eftersom kosmetiska produkter, lotioner och andra restprodukter på huden kan snabbt försämra vattenkvaliteten. För att använda kemiska flottörer, följ nedanstående instruktioner.

Användning av kemiska tabletter (ingår ej):



Användning av kemisk vätska (ingår ej):



OBS: Ta bort den kemiska flottören från spaet när det är i bruk. **VIKTIGT:** Efter att ha utfört kemiskt underhåll och innan du använder spaet, använd ett testkit (ingår ej) för att testa vattenkemin. Vi rekommenderar att hålla ditt vatten enligt tabellen nedan.

pH	Total alkalinitet	Fritt klor
7,4-7,6	80-120 ppm	2-4 ppm

OBS: Skador till följd av kemisk obalans täcks inte av garantin. Poolkemikalier är potentiellt giftiga och bör hanteras med försiktighet. Det finns allvarliga hälsorisker med kemiska ångor och felaktig märkning och lagring av kemiska behållare. Kontakta din lokala poolåterförsäljare för mer information om kemiskt underhåll. Ägna stor uppmärksamhet åt de instruktioner som tillverkaren av kemikalerna har givit. Spaskada till följd av felaktig användning av kemikalier och misskötsel av badvattnet täcks inte av garantin.

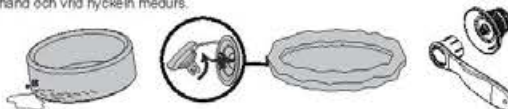
### Luftventiljustering (Endast för #54113 #54129 #54154 #54156 Only)

Vid luftläckage, kontrollera först luftventilen. Täck luftventilen med hjälp av tvål och vatten för att kontrollera om luft läcker, i så fall använd den medföljande skiftnyckeln för att fästa luftventilen så här:

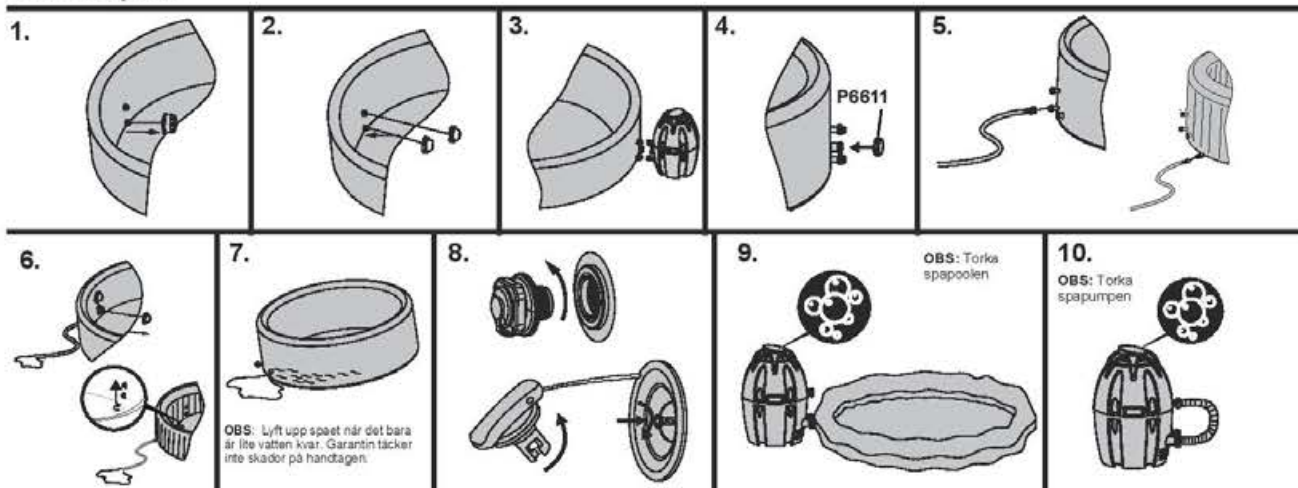
• Håll i baksidan av luftventilen från insidan av spa väggen med en hand och vrid nyckeln medurs.

### OBS:

1. Dra inte åt för hårt.
2. Kontrollera alltid luftventilen noggrant före användning.
3. Justera inte luftventilsanslutningen när spaet används.



## Tömma spaet



**Rengöring av spa** Rester av tvättmedel och upplösta delar från badtrakter och kemikalier kan bygga upp på spaväggarna. Använd tvål och vatten för att rengöra väggarna och skölj noga.

**OBS: ANVÄND INTE hårda borstar eller slipande rengöringsmedel.**

### Reparera spaet

För spa #54112, #54123, #54148 och uppblåsbart överdrag.

Om det har gått hål på spaet, använd den medföljande extra kraftiga lagningslappen.

1. Rengör området som ska lagas.
2. Ta försiktigt bort baksidan av lappen.
3. Sätt på lappen över det område som ska lagas.
4. Vänta 30 sekunder innan uppblåsning.

För spa #54113, #54129, #54154, #54156 (utan uppblåsbart överdrag)

Om spaet har revor eller punkterats, använd den medföljande PVC-reparationslappen och lim (ingår ej) så här:

1. Rengör och torka området som ska repareras.
2. Klipp eller skär till den bifogade PVC-lappen i lämplig storlek.
3. Täck den ena sidan av den utskurna lappen med lim (ingår ej). Se till att limmet är jämnt fördelat.
4. Vänta trettio sekunder och placera sedan den utskurna lappen med limmet över det skadade området.
5. Jämn ut alla eventuella luftbubblor och tryck ner den och pressa hårt i två minuter.
6. Produkten är åter redo att användas. Upprepa processen om ytterligare läckor uppstår.
7. Vänta i 30 minuter innan du fyller på med luft.

## Lay-Z-Spa förvaring

Se till spa och pumpen är helt torra. Detta är nödvändigt för att förlänga livslängden på spaet. Vi rekommenderar att du använder pumpen för att torka spa, pump och ledningar. Avlägsna filtersatserna och slang de använda filterkassetterna. Sätt tillbaka de två stopplocken på spaets in- och utloppsventiler. Det rekommenderas att du lagrar spaet i sin originalförpackning på en varm och torr plats.

**OBS:** Plast blir sprött och går sönder lätt när det utsätts för minusgrader. Frysning kan skada spaet svårt. Orlig övervintring av ditt spa kan göra att garantin inte gäller.

### Avfallshandling



Betydelsen av den överkorsade soptunnan: Kassera inte elektriska apparater som sorterat avfall utan sortera dem rätt. Kontakta din lokala myndighet för mer information om tillgängliga insamlingsystem. Om elektriska apparater deponeras eller kastas på soptipp kan farliga ämnen läcka ut i grundvattnet och komma in i näringskedjan, vilket är skadligt för din hälsa och ditt valmående. När du ersätter gamla apparater med nya är försäljaren lagbunden att ta tillbaka din gamla apparat för återvinning utan extra avgift.

**FELSÖKNING** Bestway strävar efter att tillhandahålla det bästa problemfria spaet på marknaden. Om du upplever några som helst problem, tveka inte att kontakta din auktoriserade återförsäljare eller oss på Bestway. Här är några användbara tips som hjälper dig att diagnostisera och åtgärda några vanliga problem.

Problem	Troliga orsaker	Lösningar
Pumpen fungerar inte	<ul style="list-style-type: none"> <li>- Strömfel</li> <li>- Strömkretsen bruten</li> </ul>	<ul style="list-style-type: none"> <li>- Kontrollera strömkällan</li> <li>- Ta kontakt med din lokala Bestway kundservice för vidare instruktioner.</li> </ul>
Pumpen värms inte upp korrekt	<ul style="list-style-type: none"> <li>- Temperaturinställning för låg</li> <li>- Smutsig filterpatron</li> <li>- Värmsäkring avskuren</li> <li>- Spaet är inte täckt</li> <li>- Värmeelement trasigt eller säkring har utlöst</li> </ul>	<ul style="list-style-type: none"> <li>- För högt temperatur inställd, se avsnittet Pumpdrift</li> <li>- Rengör/ersätt filterpatronen, se avsnitt Rengör och ersätt filterpatronen</li> <li>- Koppla ur pumpen och förvara kontakten på en torr, sval plats.</li> <li>- Sätt endast på pumpen igen när vattentemperaturen nått 35°C (95°F) eller lagre.</li> <li>- Fast övertäckningen.</li> <li>- Kontakta din lokala Bestway kundservice för instruktioner</li> </ul>
Lay-Z-Messages system fungerar inte	<ul style="list-style-type: none"> <li>- Luftpump överhettad</li> <li>- Lay-Z- Spa Massage stannar automatiskt</li> <li>- Luftpump trasig</li> </ul>	<ul style="list-style-type: none"> <li>- Koppla ur pumpen och vänta två timmar så att pumpen kyls av.</li> <li>- Sätt i kontakten och tryck Lay-Z-Massage systemknapp</li> <li>- Tryck in Lay-Z-Messages systemknapp för att återaktivera</li> <li>- Ta kontakt med din lokala Bestway kundservice för vidare instruktioner.</li> </ul>
Pumpens adapters är inte i jämnhöjd med spaets adapters	<ul style="list-style-type: none"> <li>- En av PVC:s egenskaper är att det byter form, vilket är normalt</li> </ul>	<ul style="list-style-type: none"> <li>- Höj pumpen med trä eller annat isolerande material för att få pumpens adapters i jämnhöjd med spaets adapters</li> </ul>
Spa-läckage	<ul style="list-style-type: none"> <li>- Det har gått hål på spaet</li> <li>- Luftventilen sitter löst</li> </ul>	<ul style="list-style-type: none"> <li>- Använd den medföljande lagningslappen</li> <li>- Täck luftventilen med hjälp av tvål och vatten för att kontrollera om luft läcker, i så fall använd den medföljande skiftnyckeln för att fästa luftventilen så här: <ol style="list-style-type: none"> <li>1. Ta ur luften ur spaet</li> <li>2. Håll i baksidan av luftventilen från insidan av spa-väggen med en hand och vrid nyckeln medurs.</li> </ol> </li> </ul>
Vattnet är inte rent	<ul style="list-style-type: none"> <li>- Otillräcklig filtreringstid</li> <li>- Smutsig filterpatron</li> <li>- Felaktigt vattenunderhåll</li> </ul>	<ul style="list-style-type: none"> <li>- Öka filtreringstiden</li> <li>- Gör ren/byt ut filterpatronen (Se Filterpatronsrengöring och utbyte-sektionen)</li> <li>- Se kemikalietilverkarens anvisningar</li> </ul>
Jordfelsbryartest misslyckades	Något är fel med spaet	Ta kontakt med din lokala Bestway kundservice och lämna in spaet.
Kontrollpanelen fungerar inte	<ul style="list-style-type: none"> <li>- Kontrollpanelen har ett auto-lås som aktiveras efter 5 minuters inaktivitet. LED-displayen har en ikon:  Om lås-ikonen är markerad är kontrollpanelen låst</li> <li>- Kontrollpanelen är inte aktiverad</li> </ul>	<ul style="list-style-type: none"> <li>- För att låsa upp kontrollpanelen trycker du på -knappen i 3 sekunder. Om kontrollpanelen inte låser upp sig bör du starta om pumpen – drag ur sladden och sätt in den igen.</li> <li>- Tryck på på/av-knappen i 2 sekunder.</li> <li>- Om problemet kvarstår, kontakta ditt lokala Bestway Aftersales-serviceställe för att få instruktioner.</li> </ul>
Vilken typ av kemikalier bör användas för vattenunderhåll?	Kontakta din lokala leverantör av kemikalier för information om kemiska underhåll. Ägna stor uppmärksamhet åt de instruktioner som tillverkaren av kemikalierna har givit.	
Vatten läcker från adaptrarna mellan pumpen och spaet	Sätt i propplocken på spaets portar för att förhindra vatten från att fly, och koppla bort pumpen. Kontrollera och se till att tätningarna är korrekt placerade inuti pumpens adaptrar. Om tätningarna saknas eller inte har monterats korrekt, kontakta ditt lokala Bestway Aftersales-serviceställe för att få instruktioner. Om tätningarna sitter på rätt plats, koppla pumpen till spaet igen och dra åt adaptrarna.	

# Tillverkaren BESTWAY®s begränsade garanti

Produkten du har köpt levereras med en begränsad garanti. Bestway® står bakom sin kvalitetsgaranti och försäkrar, genom en utbytesgaranti, att din produkt kommer att vara fri från tillverkningsfel.

För att göra ett garantianspråk måste detta formulär fyllas i och skickas in med en kopia av ditt inköpskvitto till din lokala Bestway Kundcenter. Ta kontakt med din lokala Bestway Kundservice innan du skickar några dokument. De kommer att ge dig fullständiga instruktioner om vad som krävs för din fordran. Bestway® kommer inte att byta ut några produkter som anses ha blivit skadade genom försummelse eller att de har använts utanför agarhandledningens riktlinjer.

Bestways garanti täcker tillverkningsfel som upptäcks under själva upppackningen av produkten eller under användning i enlighet med rekommendationerna i användarmanualen. Den här garantin tillämpas enbart på produkter som inte har blivit modifierats av en tredje part. Produkten måste lagras och hanteras i enlighet med tekniska rekommendationer.

Garantin täcker inte skador orsakade genom felaktig användning, missbruk, försummelse, inklusive men inte begränsat till kollision, brand, felaktig volt-användning, för hög värme-exponering, inkorrekt installation, felaktig elinstallation eller testning, olämplig lagring.

Ersättningar och reparationer förlänger inte garantins giltighetstid. Garantins startdatum är det försäljningsdatum som inköpskvitto/fakturan visar.

Valj ditt SPA



TILL: Bestway® Service Department

Inköpsdatum: \_\_\_\_\_

DATUM: \_\_\_\_\_

Kundnummer: \_\_\_\_\_

FAX/E-POST/TEL: Se ditt land enligt den information du hittar på baksidan eller på vår hemsida.

[www.bestwaycorp.com](http://www.bestwaycorp.com)

Ange dina fullständiga adressuppgifter. **Obs:** Ofullständiga adressuppgifter kommer att leda till försenade leveranser.

Bestway förbehåller sig rätten att ta betalt för återleverans av olevererade paket där felet ligger hos mottagaren.

## OBLIGATORISKA UPPGIFTER – SKRIV LEVERANSADRESS

Namn: \_\_\_\_\_ Adress: \_\_\_\_\_

Postkod: \_\_\_\_\_ Återförsäljare: \_\_\_\_\_

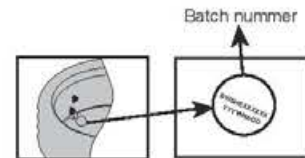
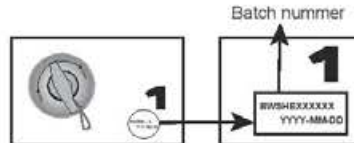
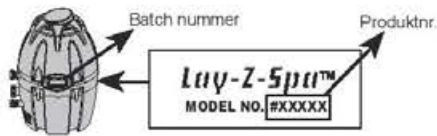
Land: \_\_\_\_\_ Stad: \_\_\_\_\_

Mobiltelefon: \_\_\_\_\_ Telefon: \_\_\_\_\_

Fax: \_\_\_\_\_ E-post: \_\_\_\_\_

SPAPUMP Batchnummer: \_\_\_\_\_ SPAPOOL Batchnummer: \_\_\_\_\_

SPAPUMP Produktnr: \_\_\_\_\_



LAY-Z-SPA Vegas / Paris

Alla bilder är enbart som illustration. Ej skalenliga.

## Problembeskrivning

- Spat läcker
- Vattenfiltrersystemet fungerar inte
- Värmesystemet fungerar inte
- Kontrollpanelen visar fel som inte kan åtgärdas
- Lay-Z-Massage System fungerar inte
- Pumpen läcker
- Adapter läcker
- Saknade delar – Använd koden för den saknade delen, vilken du hittar i manualen.
- Övrigt (vänligen beskriv)

VIKTIGT: ENDAST SKADADE DELAR KOMMER ATT ERSÄTTAS, INTE HELA PAKETET.

Bestway förbehåller sig rätten att kräva fotografiskt bevis för defekta delar eller att kräva att föremålet skickas för testning.

För att kunna hjälpa dig på bästa sätt ber vi dig att se till att alla uppgifter du anger är kompletta.

FÖR FAQ, MANUALER, FILMER OCH RESERVDELAR, BESÖK Vår HEMSIDA [www.bestwaycorp.com](http://www.bestwaycorp.com)  
FILMER FINNS ÄVEN TILLGÄNGLIGA PÅ Vår BESTWAY-KANAL PÅ YOUTUBE: [www.youtube.com/user/BestwayService](http://www.youtube.com/user/BestwayService)

# Bestway