

设计 DESIGN	林芳芳 2018.04.14	图纸名称 PART NAME BUSH MSBSNFWTDW, MSBSNFWTDSS, MSBSNFWTDB (CE-BCD530WE-SQ) 通用说明书				图号/物料编码 PART NO.
校对 CO. BY	周军					16131000A30061
标准化 STANDARD						材料 MATERIAL 80g双胶纸
业务 seller	李士梅	图样标记 REL	版本号 REV. NO.	重量(g) WEIGHT	比例 scale	美的冰箱事业部 MIDEA REFRIGERATION DIVISION
批准 AUTHORIZE			4		1:1	
		共页 TOTAL SHEETS		第页 NO. OF SHEETS		

技术要求

1. 尺寸: 32K
2. 印刷颜色: 单色 (灰度印刷)
3. 制件必须符合QMB-J53.005 产品说明书及其它类似印刷件技术规范;
4. 除客户特别要求外均参照美的冰箱最新版相关企业标准执行;

标记 MARKER	变更内容	修改日期	签名
1	自订单MO-600468开始更新整体版面	2018.6.16	林芳芳
2	自订单MO-608182开始更新P21参数内容(10CM)	2018.6.28	林芳芳
3	自订单MO-766695开始更新整体版面	2019.5.29	林芳芳
4	自订单MO-766695之后开始更新页码	2019.7.08	韩文静

BUSH

Instruction Manual

MSBSNFWTDW
MSBSNFWTDSS
MSBSNFWTDB



You'll soon be enjoying your new refrigerator.

It all begins here, with your instructions. Don't worry, there's nothing too technical coming up. Just simple, step-by-step guidance to get you up and running quickly. Sound good? Then let's get started

Help and Guidance

We're here to help you get the most from your refrigerator. Should you require any guidance, a simple solution can often be found online at.

www.bush-support.com

If you still require further assistance, call one of our experts on 0345 257 7271.

Contents

1 Safety information

Safety information 6

2 Getting to know your refrigerator

Ready? Let's begin... 13

Parts 14

3 Installing your refrigerator

Transportation 23

Installation 23

Electrical Connection 25

4 Using your refrigerator

Before first use 28

Using your appliance 28

Useful information 30

5 Care and Maintenance

General 33

Power failure 34

Moving your appliance 34

Disassembly / assembly the door 35

Technical Specifications 36

Disposal information 36

6 Product support

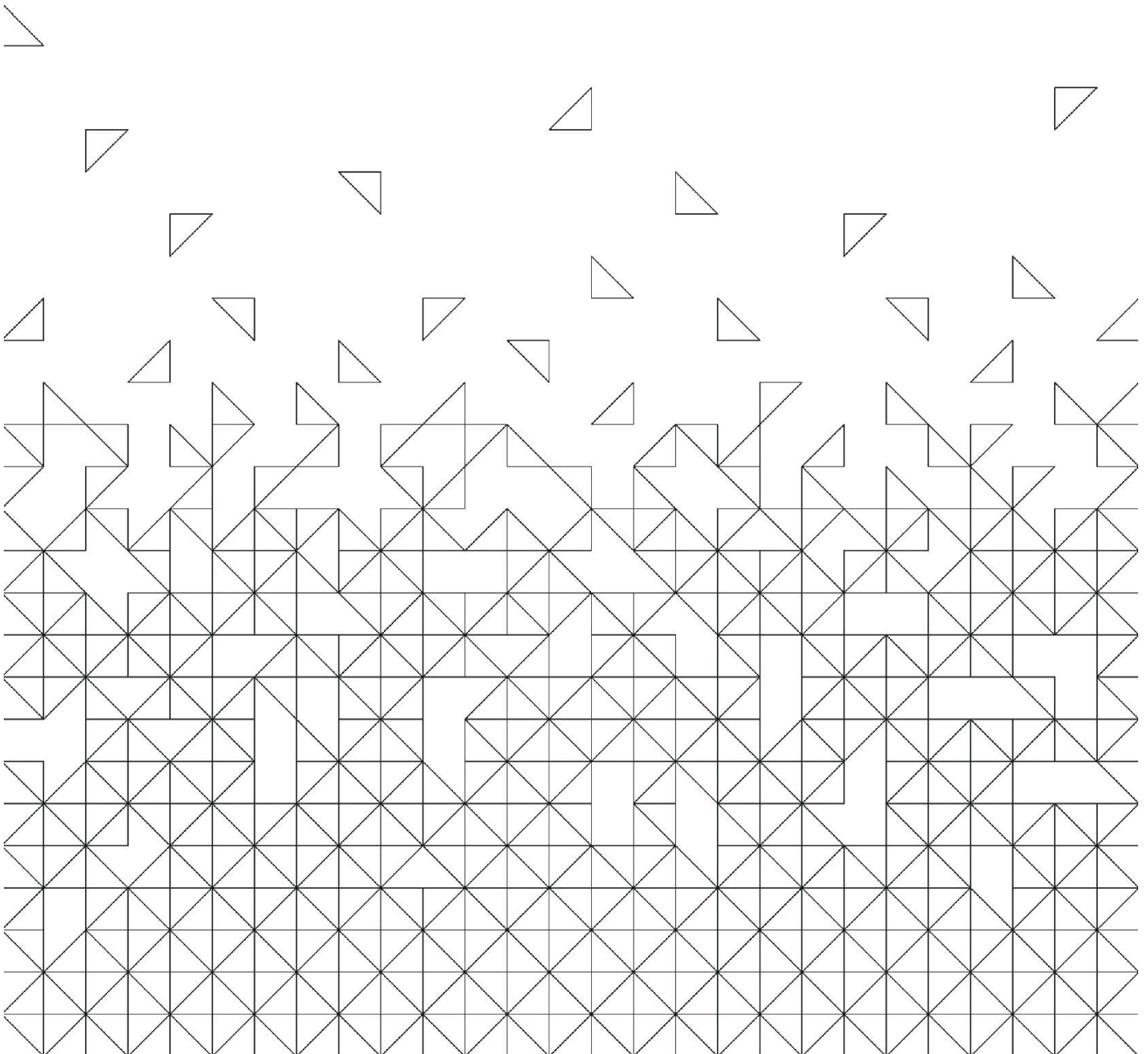
Trouble Shooting 39

Help and assistance 40

Guarantee 41

Safety information

1





Safety information

Important-Please read these instructions fully before installing or operating

Before use

The installation of this appliance is best carried out by 2 people.

- Dispose of all packaging carefully and responsibly.
- The appliance is designed for **indoor use only** and must be protected from rain, moisture and extreme temperature variations.
- This appliance is designed for household use. **Do not** use the appliance for industrial and commercial use, or any other purpose.
- The appliance **MUST** be positioned on a firm level base.
- **Do not** splash water on the appliance. It may cause electrical parts to fail and result in an electric shock.
- Leave the appliance in its intended place of installation and in its correct orientation for at least 4 hours before switching on to allow the cooling system to settle before first use or after any transportation.
- Your appliance is an environmental friendly product and it contains non CFC/HFC gas substances in the cooling system (Called R600a) and in the insulation (Called cyclopentane) which are potentially flammable if exposed to fire. Therefore, take care not to damage, the cooling circuit/pipes of the appliance in transportation and in use. In case of damage do not expose the appliance to fire,

Safety information

Important-Please read these instructions fully before installing or operating

- potential ignition source and immediately ventilate the room where the appliance is situated.
 - **Do not** sit, stand or place any other heavy objects on top of the appliance. This could result in injury or damage to the appliance.
 - **Do not** allow children to play with the appliance to avoid the risk of entrapment and suffocation.
 - Keep ventilation opening, in the appliance enclosure or in the built-in structure, clear of obstruction.
- During use
- This appliance is not intended for use by persons (including children) with reduced physical, sensory or mental capabilities, or lack of experience and knowledge, unless they have been given supervision or instruction concerning use of the appliance by a person responsible for their safety. Children should be supervised to ensure that they do not play with the appliance.
 - This appliance is not intended for use by young children or infirm persons unless they have been adequately supervised by a responsible person to ensure that they can use the appliance safely. Young children should be supervised to ensure that they do not play with the appliance.
 - **Do not** use mechanical,



Safety information

Important-Please read these instructions fully before installing or operating

electrical or chemical way to speed up the defrost process not recommended by the manufacturer.

- **Do not** use or place other electrical products inside the appliance not recommended by the manufacturer.
- **Do not** store liquids in glass containers in the freezer compartment as these may shatter.
- **Do not** store flammable materials such as alcohol, gasoline, LP gas or glue etc in the appliance.
- In case there is an inflammable gas leaking, open the window for air circulation and do not pull out the plug or turn the temperature knob. **Do not** touch the appliance until the valve of gas is turned off. Otherwise, sparks may happen.
- This appliance can be used by children aged from 8 years and above and persons with reduced physical, sensory or mental capabilities or lack of experience and knowledge if they have been given supervision or instruction concerning use of the appliance in a safe way and understand the hazards involved. Children shall not play with the appliance. Cleaning and user maintenance shall not be made by children without supervision.

Safety information

Important-Please read these instructions fully before installing or operating

Before use



Warning: risk of fire

- **When** positioning the appliance, ensure the supply cord is not trapped or damaged.
- **Do not** locate multiple portable socket-outlets or portable power supplies at the rear of the appliance.
- **Children** aged from 3 to 8 years are allowed to load and unload refrigerating appliances.
- **To** avoid contamination of food, pay attention to the following:
 - opening** the door for long periods can cause a significant increase of the temperature in the compartments of the appliance;
 - clean** regularly surfaces that can come in contact with food and accessible drainage systems;
 - clean** water tanks if they have not been used for 48 hours; flush the water system connected to a water supply if water has not been drawn for 5 days;
 - store** raw meat and fish in suitable containers in the refrigerator so that it is not in contact with or drip onto other food;
 - two-star frozen**-food compartments are suitable for storing pre-frozen food, storing or making ice-cream and making ice cubes;



Safety information

Important-Please read these instructions fully before installing or operating

-one-, two- and three-star

compartments are not suitable for the freezing of fresh food;

-if the refrigerating appliance is left empty for long periods, switch off, defrost, clean, dry

and leave the door open to prevent mould developing within the appliance.

- **Do not** attempt to repair the appliance yourself.

Contact the Customer Helpline:

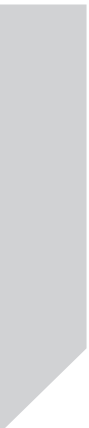
0345 257 7271.

Using your chest freezer

Getting the most from your appliance Storing food

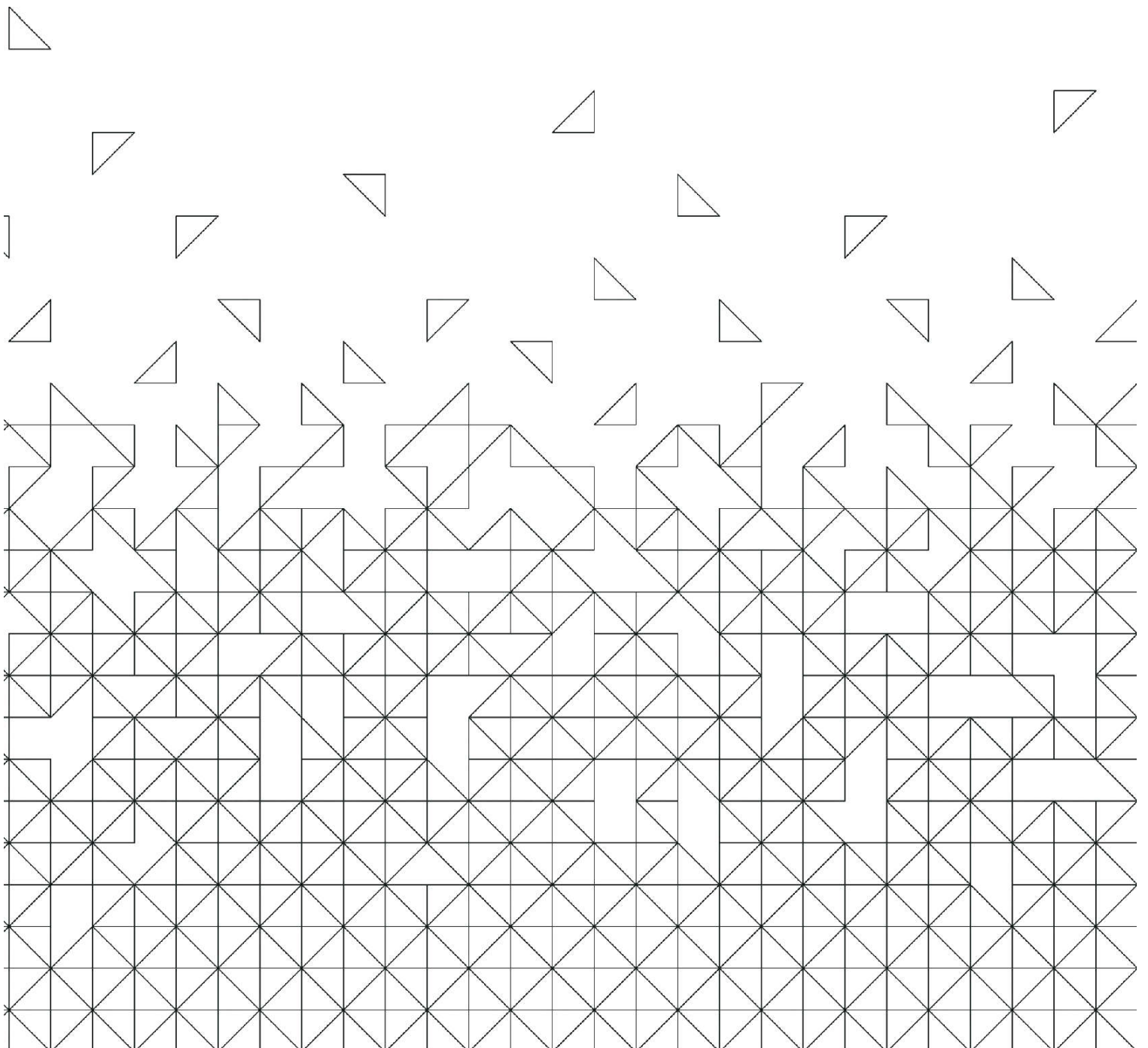
The table below contains general guidelines on the storage of food in the refrigerator.

Refrigerator location	Type of food
Crisper bin (salad bin)	<ul style="list-style-type: none"> • Foods with natural preservatives, such as jams, juices, drinks, condiments. • Do not store perishable foods.
Fridge door	<ul style="list-style-type: none"> • Fruits, herbs and vegetables should be placed separately in the crisper bin. • Do not store bananas, onions, potatoes, garlic in the refrigerator.
Fridge shelf – bottom Chiller bin	<ul style="list-style-type: none"> • Raw meat, poultry, fish (for short-term storage)
Fridge shelf – middle	<ul style="list-style-type: none"> • Dairy products, eggs
Fridge shelf – top	<ul style="list-style-type: none"> • Foods that do not need cooking, such as ready-to-eat foods, deli meats, leftovers.
Freezer drawer/shelf	<ul style="list-style-type: none"> • Foods for long-term storage. • Bottom drawer/shelf for raw meat, poultry, fish. • Middle drawer/shelf for frozen vegetables, chips. • Top drawer/shelf for ice cream, frozen fruit, frozen baked goods.



Getting to know your refrigerator

2



Getting to know your refrigerator

You'll be up and running in no time

Ready? Let's begin...

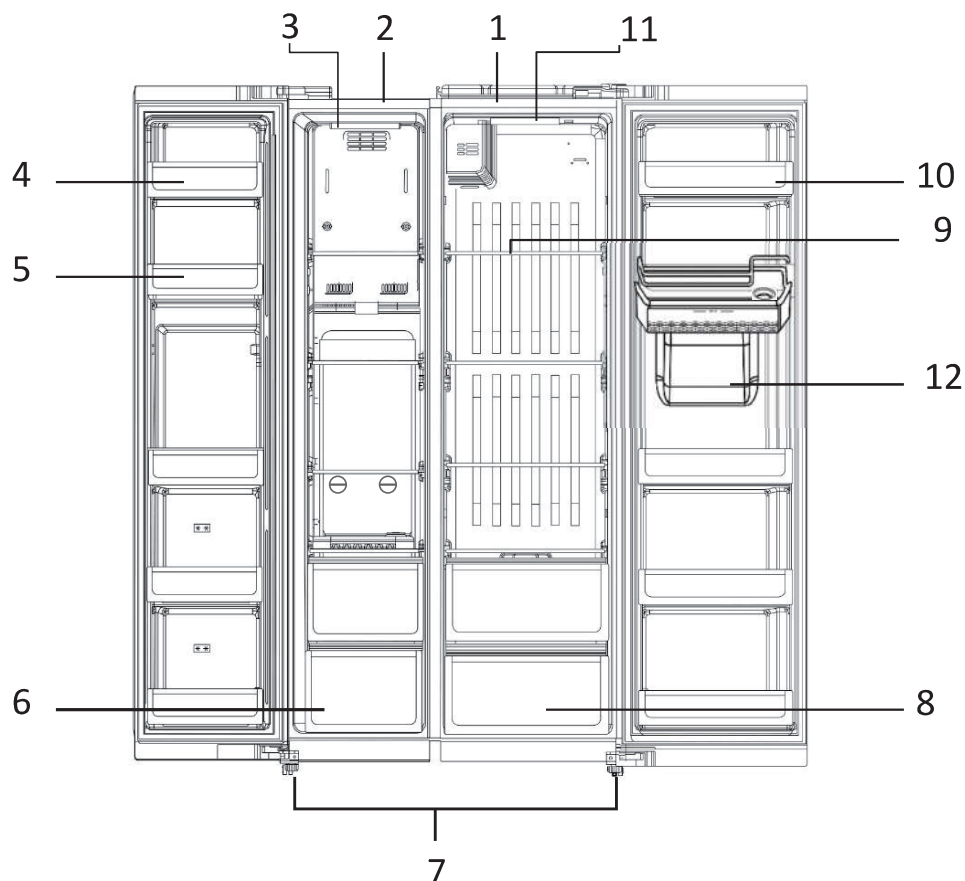
Please read these instructions carefully. They contain important information which will help you get the best from your refrigerator and ensure safe and correct installation and operation

If you require any further assistance, our technical experts are happy to help. For full details, refer to the product support section at the end of these instructions.

Getting to know your refrigerator

You'll be up and running in no time

Parts

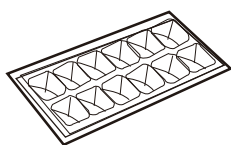


- 1. Fridge
- 2. Freezer
- 3. LED light
- 4. Freezer Balconies
- 5. Freezer Shelves
- 6. Freezer drawer
- 7. Leveling Feet
- 8. Fridge Crisper
- 9. Fridge Shelves
- 10. Fridge Balconies
- 11. LED light
- 12. water tank & dispenser

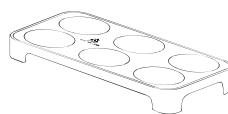
Accessories included



Instructions x 1



Ice-cube tray x 2



Egg tray x 1



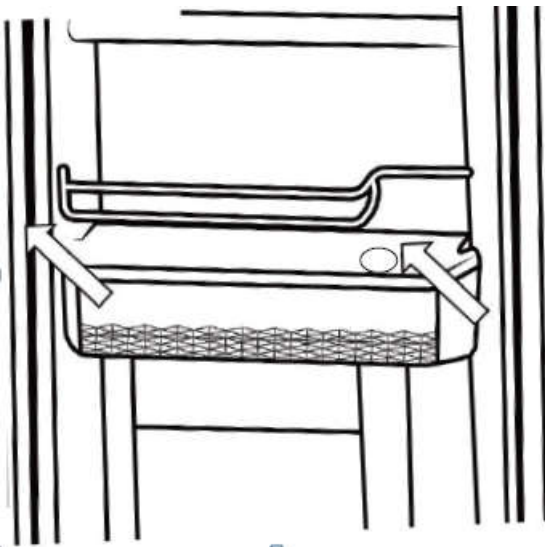
Wrench x 1

Getting to know your refrigerator

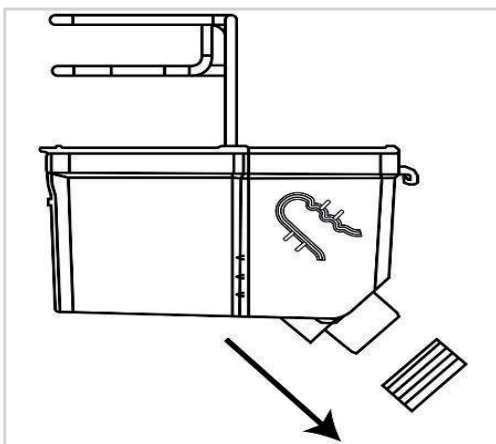
Water Dispenser

Cleaning & Assembly

Before using the water dispenser clean all parts of the water tank and the dispenser with hot soapy water. To clean the water tank you will need to remove it, to do this hold both sides of the water tank tightly and lift it carefully away from the door at a 45° angle.



Remove the seal ring from the water tank by gently pulling it from the bottom of the water tank.

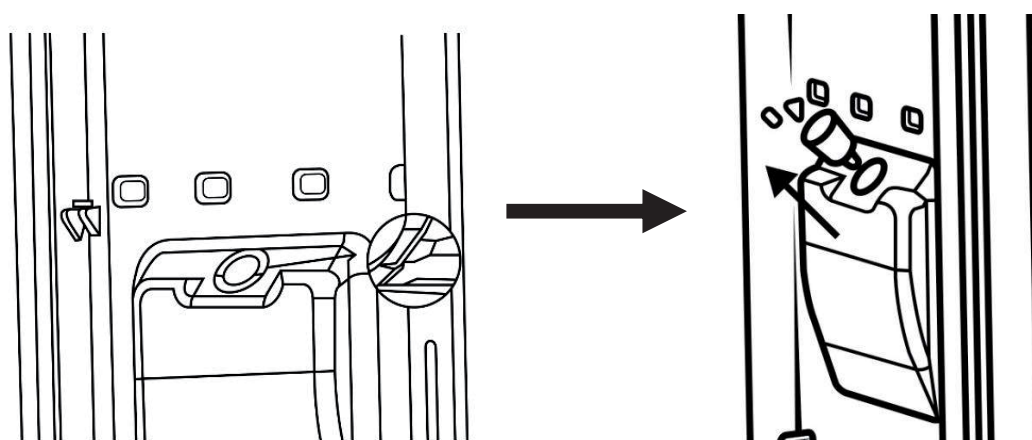


Getting to know your refrigerator

Water Dispenser

Cleaning & Assembly

Using a flat headed screwdriver, gently insert it between the raised edge(s) of the water valve and dispenser moulding. Then slowly and carefully raise the edges with screwdriver on either side of the water valve, the water valve should lift and be removed by hand at a 45° angle.



Clean all parts (water tank and cover, seal ring and water valve with hot soapy water, then rinse thoroughly and dry.

The water dispenser can be cleaned by dispensing hot soapy water through it, however you must ensure to flush the hot soapy water away by dispensing at least 6 large cups of clean water through the dispenser.

It is recommended to clean the water tank, seal ring, water valve and the dispenser in this way at least once a month.

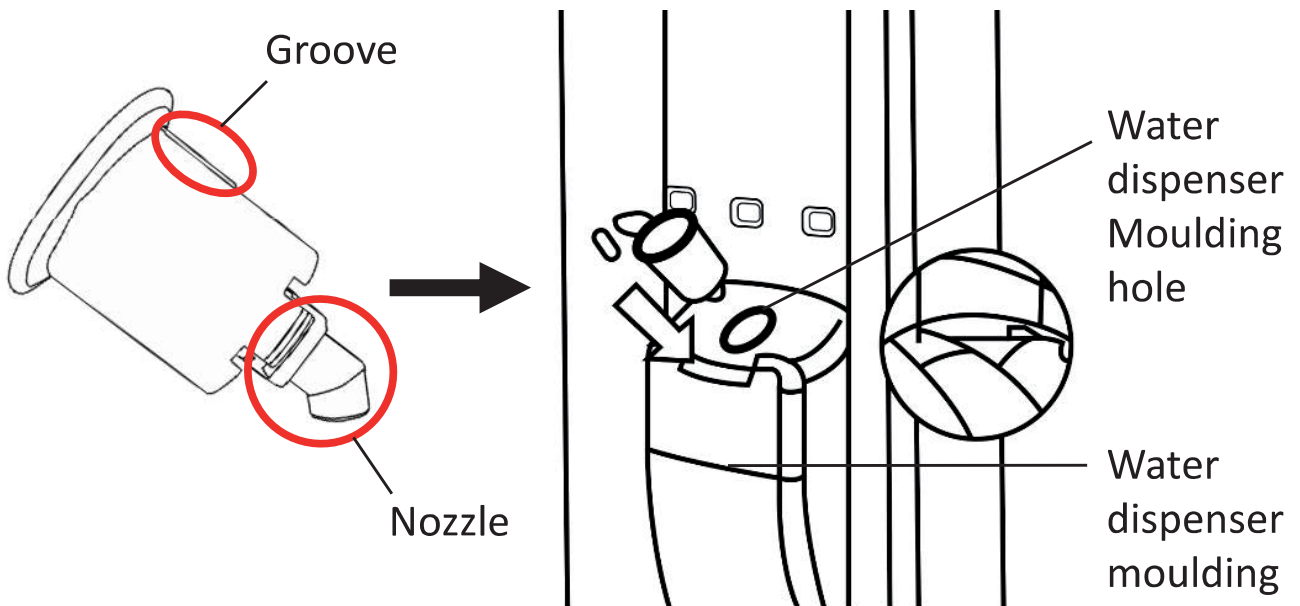
Note: The tank must be cleaned and dried regularly in order to avoid the overflow water spilling on to the appliance or the floor. Any spillages on the appliance or on the floor must be cleaned up immediately.

Getting to know your refrigerator

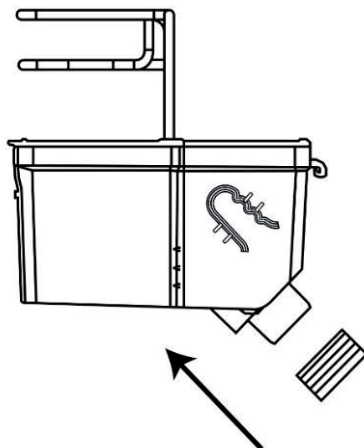
Water Dispenser

Re-attaching the water valve, seal ring and water tank

To re-install the water valve, ensure that nozzle of the water valve is pointing downwards and that the groove on the body of the water valve is aligned with the groove on the hole of the dispenser molding. Once this is done you can insert the water valve into place by pushing it downwards at a 45° angle until it clicks into place.



Refit the seal ring to the bottom of the water tank, ensuring there are no creases or wrinkles.

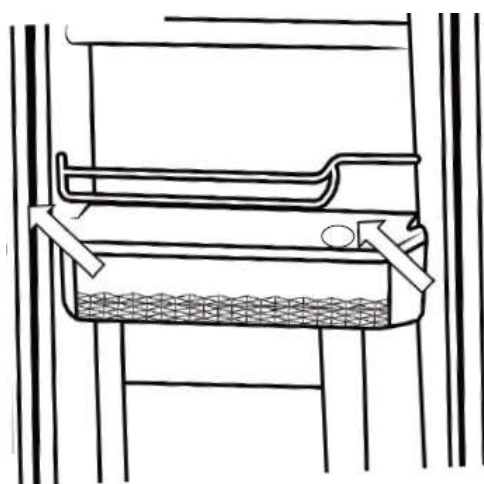


Getting to know your refrigerator

Water Dispenser

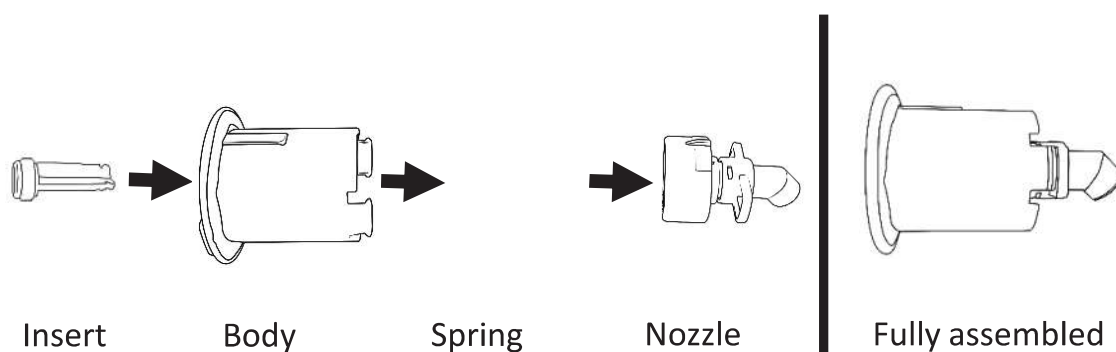
Re-attaching the water valve, seal ring and water tank

Refit the water tank back into the door. When fitting the water tank, ensure the seal ring is inserted into the water valve first, then hold both sides of the water tank tightly, align the slots on the water tank with those in the door and fit it on to the door at a 45° angle.



Water valve assemble

Should the water valve become disassembled then it must be assembled in the below method. You must ensure all grooves are at the top of the water valve body and nozzle.



Getting to know your refrigerator

Water Dispenser

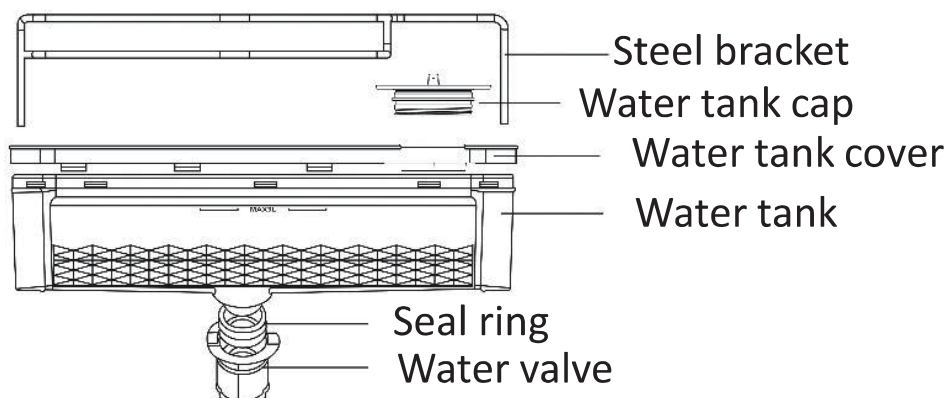
Filling with water

Note:

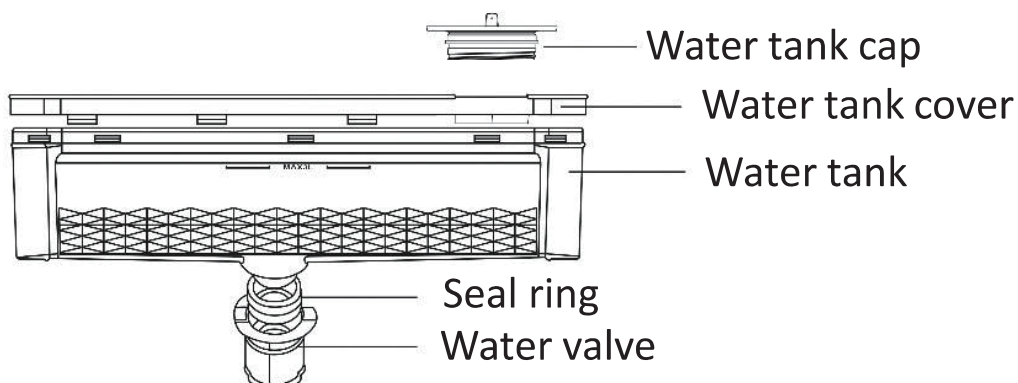
- The maximum capacity of the water tank is 3 litres, do not exceed this maximum limit.
- Do not touch other parts when filling water, which can cause water leakage.
- Water must be left in the water tank with the appliance door closed for at least 4 hours to enable it to cool down.

You can either fill the water tank when it is in the appliance or has been removed from the appliance in 2 ways:

1. Remove the water tank cap on the large water tank cover and fill water into the tank through the opening.



2. Remove the large cover, then fill the water directly.



Getting to know your refrigerator

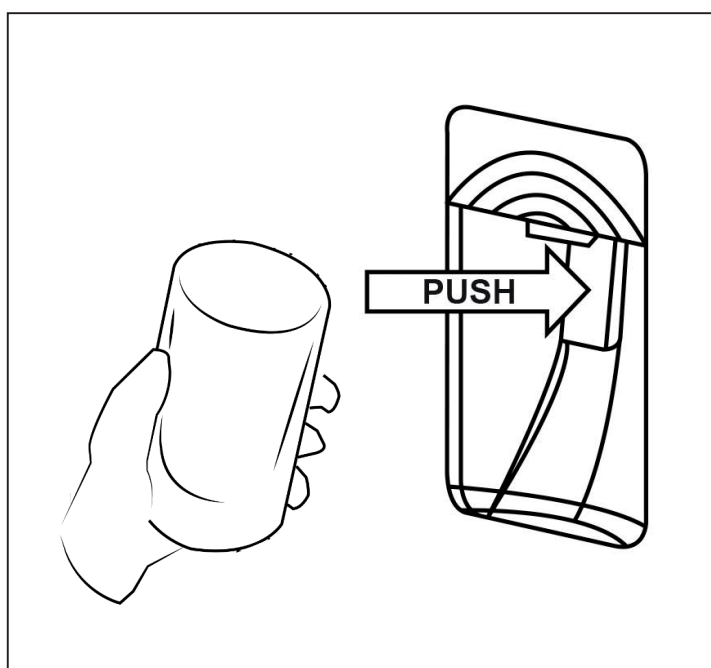
Water Dispenser

Note:

Note: Water must be left in the water tank with the appliance door closed for at least 4 hours to enable it to cool down. Note: When the water tank/dispenser is empty, do not push the dispenser lever strongly as this can damage the mechanism. Note: Do not touch the dispenser lever without a cup underneath the dispenser.

Before dispensing the water you must ensure all parts are correctly fitted and that the door of the appliance is closed.

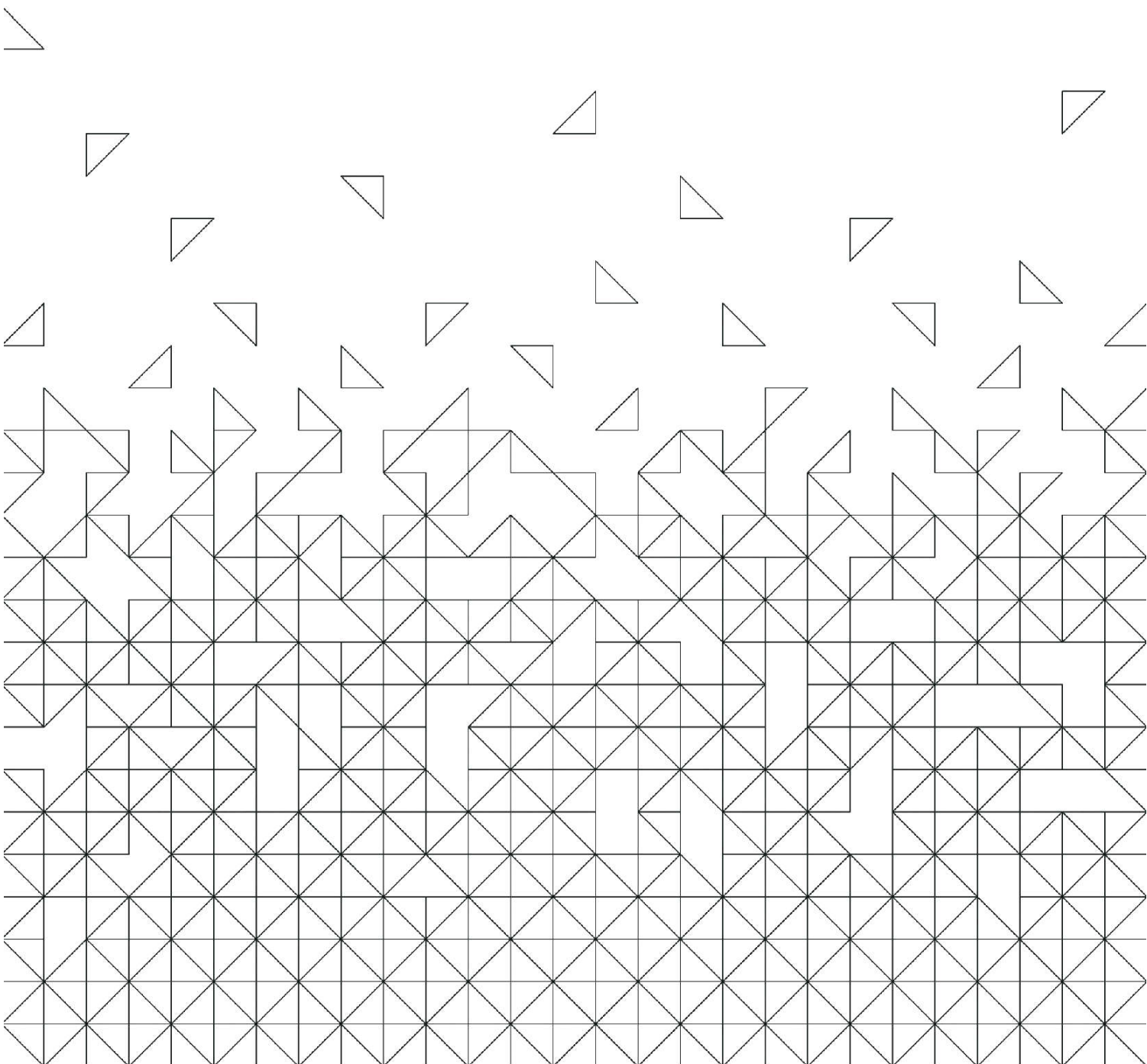
Place an appropriately sized container or cup into the dispenser and push the dispenser lever, once a sufficient amount of water has been dispensed remove the container or cup away from the dispenser lever. door of the appliance is closed.





Installing your refrigerator

3



Installing your refrigerator

Bringing it all together

Transportation



Caution: 2 people are required to unpack and handle the appliance, it is recommended that gloves are worn.

- The appliance should be transported only in an upright position. Do not tilt the appliance greater than 45 degrees. The packaging as supplied must be intact during transportation.
- After transporting the appliance, leave it for at least 4 hours before switching on to allow the cooling system to settle. Failure to comply could result in damage to the appliance.
- Do not move the appliance by pulling the door or handle as it may damage your flooring and wall coverings etc.
- Empty any water in the drain tray before moving
- Make sure that the defrost water pipe at the back of the product is fixed to the plastic evaporating pan on the top of the compressor, to avoid defrost water spillage on the floor.
- Ensure the electrical cable is not caught under the appliance during and after moving
- Carefully remove all packaging materials including the foam base, dispose of correctly

Installation

- Ensure sufficient spacing is provided for the appliance to be installed. Leave space on both sides (50cm), back (10cm) and above the appliance (50cm) to ensure proper ventilation and door opening. See fig. 1&2
- Do not place the appliance near a heat source or in direct sunlight
- Do not put any heavy objects on top of the appliance. It will damage the appliance.
- Do not install the appliance in a moist or wet place. It should be installed on a smooth surface to avoid excessive vibration and noise.
- Move the appliance to the desired location and adjust the two front levelling feet to fix the appliance.

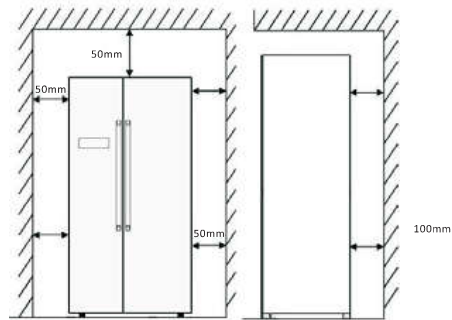


Fig. 1

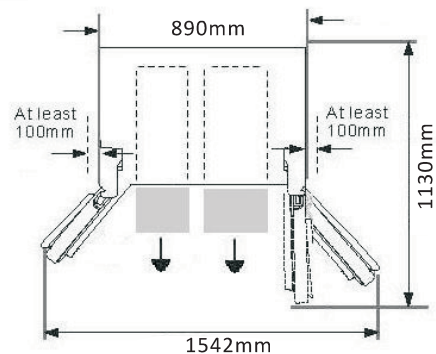


Fig. 2

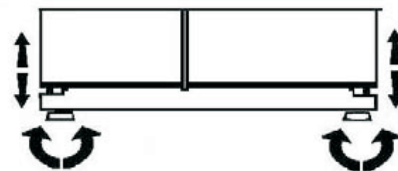


Fig. 3

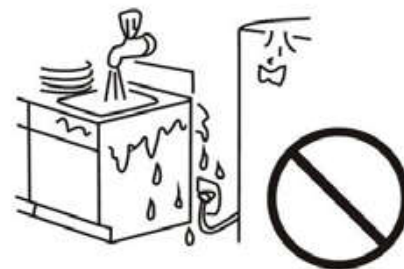
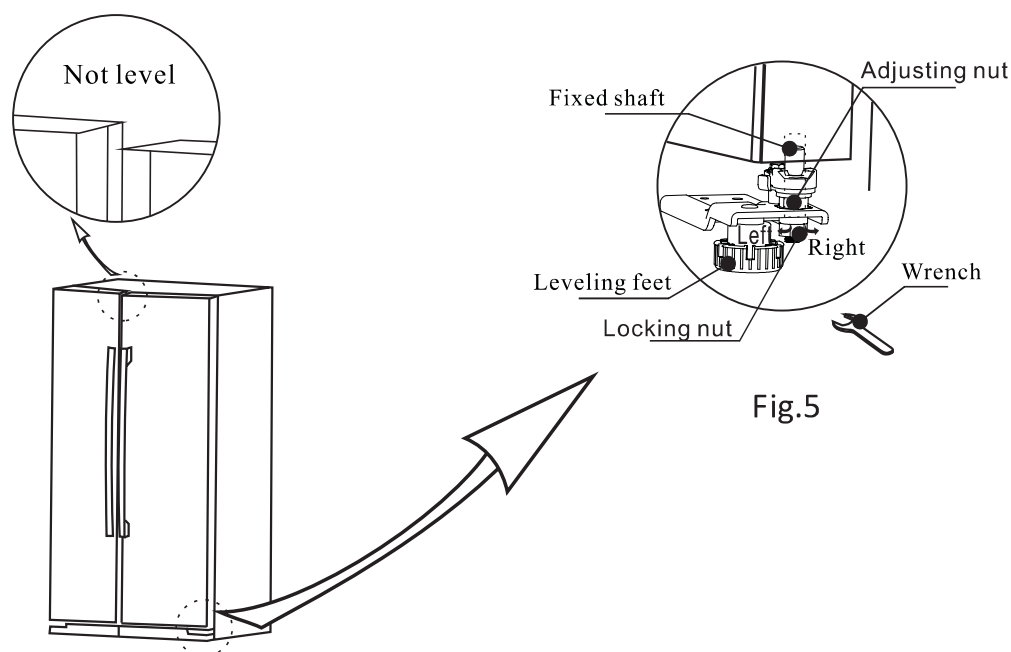


Fig. 4

Installing your refrigerator

Bringing it all together

- Try some operations, i.e. Open/close door to confirm the appliance will not move under normal usage/operation. If the appliance moves, adjust the leveling feet again until it is fixed and do not move (See fig.3).
- If you need to relocate the appliance, please ensure the leveling feet on the front side have been screwed upwards before you move the appliance.
- If the doors of the appliance are not aligned then the height of right door can be adjusted, please follow the below steps.
 Note: The maximum height adjustment is 5mm
 Rotate the locking nut clockwise (as shown in Fig.5) with a wrench for 2 full rotations to loose it. You can now rotate the adjusting nut (as shown in Fig.5) to adjust the height of the right door. Once the door is set to your desired position, then tighten the locking nut by rotating it anti-clockwise.



- Each appliance has a climate class (shown on the rating plate) that indicates the operating temperature range of the appliance. The appliance may not work properly if it is left for a long period at a temperature outside the specified range.
- Refer to section "Care and Maintenance" to prepare your appliance for use.

Climate Class	Amb.T.(°C)	Amb.T.(°F)
SN	10~32°C	50~90°F
N	16~32°C	51~90°F
ST	16~38°C	61~100°F
T	16~43°C	61~110°F

Installing your refrigerator

Bringing it all together

Electrical connection

 Any electrical work that is required to install this appliance **MUST** be carried out by a qualified electrician.

 **Warning: THIS APPLIANCE MUST BE EARTHED**

Before making any electrical connections, ensure that:

- Electrical safety is only guaranteed when the earth system of your house is in accordance with the related local regulations.
- Do not damage the refrigerant circuit.
- Do not bend, stretch or pull the supply cable to avoid electric shock.
- Do not use electrical appliances inside the food storage compartments of the appliance, unless they are of the type recommended by the manufacturer.
- Ensure the power socket is suitable for the maximum power of the machine (fuses in the power circuit must be 13 amp).
- The supply voltage should be the same as that indicated in the technical specifications and the appliance rating plate.
- The appliance should be earthed and in compliance with the applicable law.
- When installed, the power socket must be within easy reach.
- If the socket outlets in your home are not suitable for the plug supplied with this unit check with a qualified electrician for replacement.
- The use of adapters, multiple connectors or extension cables are not recommended.
- The appliance must be connected to a 220-240 volt 50Hz AC supply by means of a three pin socket, suitably earthed and protected by a 13 amp fuse.
- Should the fuse need to be replaced, a 13 amp fuse approved to BS1362 must be used.
- The plug contains a removable fuse cover that must be refitted when the fuse is replaced. If the fuse cover is lost or damaged, the plug must not be used until a replacement cover has been fitted or the plug is replaced.
- A damaged plug should be cut off as close to the plug body as possible, the fuse should be removed and the plug disposed of safely.

Plug replacement (UK & Ireland only)

Should you need to replace the plug; the wires in the power cable are coloured in the following way:

Blue Neutral 'N'

Brown Live 'L'

Green & Yellow Earth 'E'

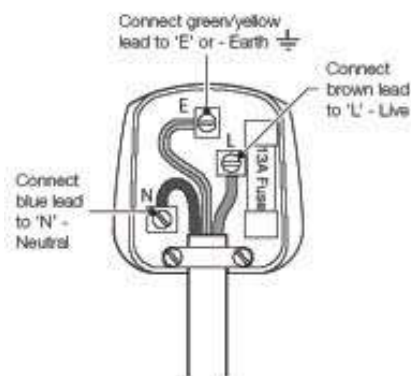
As the colours of the wires in the power cable may not correspond with the coloured markings identifying the terminals in your plug, and proceed as follows:

The green & yellow wire must be connected to the terminal in the plug that is marked with the letter E or by the earth symbol.

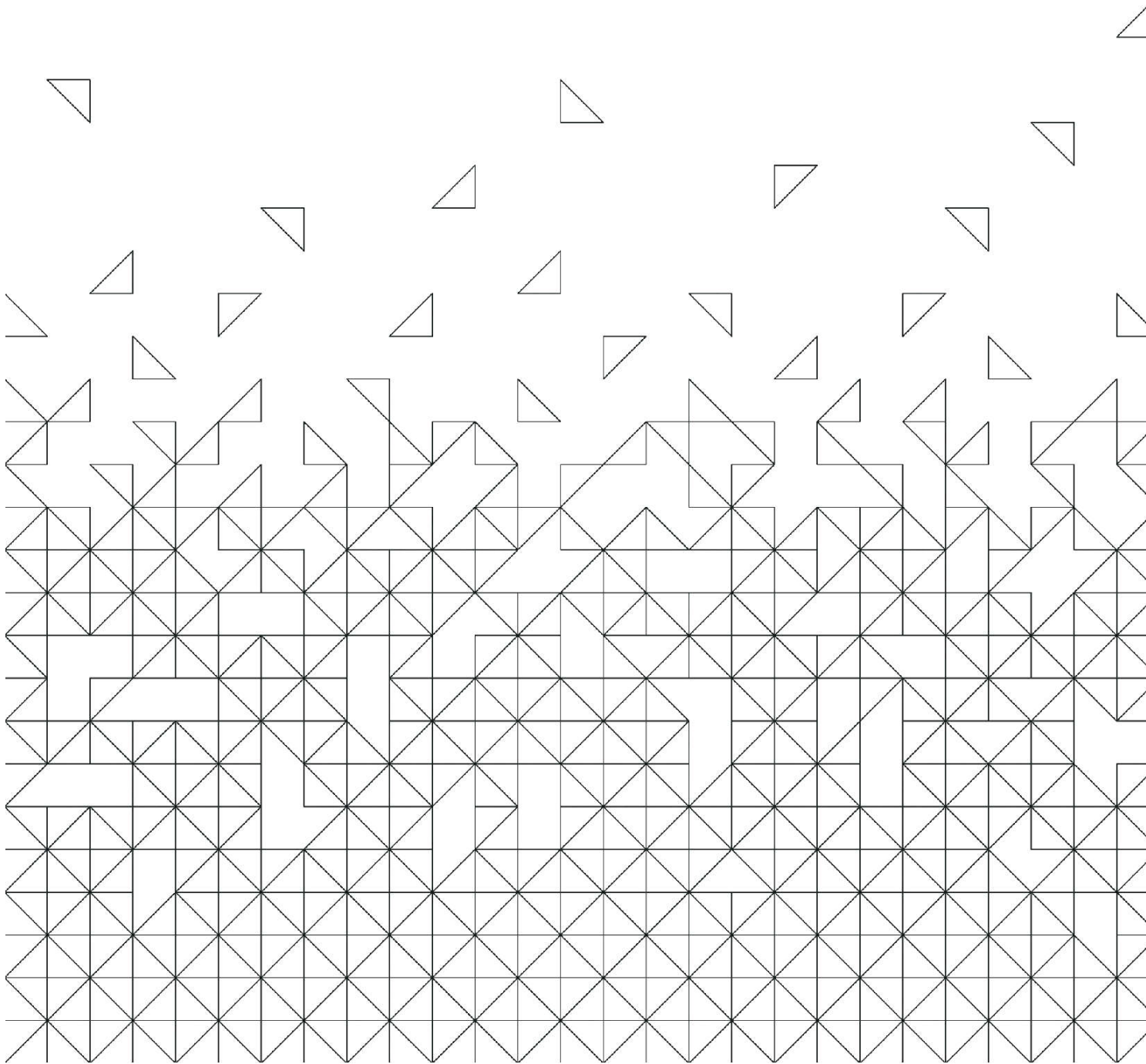
The blue wire must be connected to the terminal that is marked with the letter N.

The brown wire must be connected to the terminal that is marked with the letter L.

If the power supply cord is damaged, it must be replaced by the manufacturer or its service agent or a similar qualified person in order to avoid a hazard.



Using your refrigerator 4



Using your refrigerator

Getting the most from your appliance

Before first use

Final checks before operating the appliance

1. Good air circulation around the appliance .
2. The feet have been adjusted for perfect levelling.
3. Clean the compartment per recommendation in section “Care and Maintenance”.
4. Plug in the appliance and the interior light will come on when the door is open.

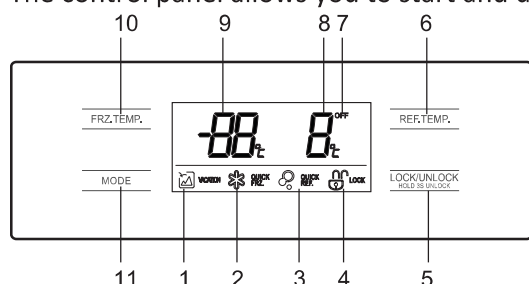


The compressor starts up and in operation may produce some background noise. It is normal, this is not a defect.

Using your appliance

1. Control panel

- The control panel allows you to start and use all the functions of your refrigerator without opening the doors.



1. Vacation mode icon
2. Quick freeze mode icon
3. Quick cool mode icon
4. Lock/unlock icon
5. Lock/unlock/ confirm button
6. Fridge compartment temperature adjustment button
7. OFF mode icon
8. Fridge compartment temperature
9. Freezer compartment temperature
10. Freezer compartment temperature adjustment button
11. Mode function/setting button

Program mode	Display	Freezer temperature	Fridge temperature	Remarks
Normal	/	-18 C	5 C	For normal use, both freeze & fridge temperature can be adjusted.
Vacation		-18 C	OFF	For vacation use, both freeze & fridge temperature cannot be adjusted.
Quick freeze		-24 C	Unchanged	For quick freeze use, only fridge temperature can be adjusted.
Quick freeze + cool		-24 C	2 C	For quick freeze + cool use, both freeze & fridge temperature cannot be adjusted.
Quick cool		-18 C	2 C	For quick cool use, only freezer temperature can be adjusted.

2.Lock / Unlock function

At lock state(),press and hold Lock/unlock/confirm button for 3 seconds,it will sound a beep and change to unlock state().

It will change from unlock state to lock state if the appliance is idle for 60 seconds. Or you can press the Lock/unlock/confirm button for 3 seconds then it will change to lock state().

3.Function mode selection

To change the function mode,the appliance must be in unlock state(). Press the Lock/unlock/confirm button for 3 seconds to change to unlock state().

Continue to press Mode button, it will switch the function from to other as cycle in the below.



Using your refrigerator

Getting the most from your appliance

First Use

- ⓘ Allow to stand for a minimum of 4 hours before plugging in to the mains

Setting the temperature

- The temperature of the refrigerator is controlled electronically by the control panel.
- It will default at -18°C (freeze) and 5°C (fridge) at 1st use.
- Setting the temperature of the fridge and the freezer can be done manually by pressing the fridge compartment temperature adjustment button(6) and the freezer compartment temperature adjustment buttons(10) until the required temperatures are shown on the display.
- To change the temperature of the fridge compartment, continue to press the fridge temperature button(6). Until the desired temperature is reached. Press Lock/unlock/confirm button to confirm. The temperature of the fridge can be set between 2°C and 8°C.
- To change the temperature of the freezer compartment, continue to press the freezer temperature buttons(10), Until the desired temperature is reached. Press Lock/unlock/confirm button to confirm. The temperature of the freezer compartment can be set between -16°C and -24°C.

Hints and Tips

Storage of Fresh food

- Food should always be covered tightly with foil, wrapped in film, placed in an airtight bag or container. This will prevent it from dehydrating and prevent strong smells contaminating other food.
- Do not allow raw meat to come into contact with cooked foods.
- Fruit and vegetables should be stored in the bottom box with the glass cover in place.
- Space should be left between food items to allow free movement of cold air.
- Cool hot food down to room temperature before storing.

Storage of Frozen food

- Fresh foods such as fish and meat can be frozen to maintain freshness, and keep the nutrients in the food.
- Wrap food to be frozen or place it in an airtight container.
- Do not allow already frozen food into direct contact with food to be frozen.
- Ready frozen food should be placed it in freezer as soon as possible.
- Do not re-freeze food once it has thawed.

Quick Freeze

Quick Freeze the original freshness and nutrition constituent of foodstuffs can be retained. Fresh meat and fish to be stored for long time must be done by quick Freeze.(Quick freeze can continue operate for upto 26 hrs and then it will change back to normal mode.)

Using your refrigerator

Getting the most from your appliance

Useful information

The following guidelines and recommendations are suggested to obtain the best results and storage hygiene.

- Frequent door openings can cause internal temperature to rise so the door should be closed as soon as possible after use.
- For hygiene reasons, it is always a good practise to pack, wrap and cover the food before storing.
- Use a polythene bag to store raw meat and place on the lowest shelf. Avoid contact with cooked food to prevent contamination. For safety reasons, store raw meat for two to three days only.
- Cooked dishes must be stored in airtight covered containers.
- Food and beverages should cool to room temperature before storing.
- Most vegetables should be blanched and chilled before freezing.
- Bottles can be placed in the door section.
- Some fruits and vegetables like pineapples, melons, tomatoes, and cucumbers should be wrapped in polythene bags.
- Do not leave frozen food at room temperature to thaw. You could defrost the food by putting it in the fridge to thaw slowly. Make sure you avoid defrosting food dripping food juices onto other food.

Energy saving tips

- Place your fridge away from direct sunlight, your oven or any other heat sources. Allow 20 cm clear space on both sides and above, and at least 5 cm behind.
- Cover all food stored, and arrange it so that cold air can circulate freely.
- Higher cold setting will use more energy. Do not set to maximum cold if it is not necessary.
- Cool the hot/warm food to room temperature before putting them into your fridge.
- Frequently opening and closing the door

would cause the internal temperature to rise and it will consume more energy.

- Close the door(s) properly, and make sure the seals and hinges are airtight. Check the seals by putting a sheet of paper between the door and the main body of the fridge. If the paper moves, your seals need replacing.
- Defrost regularly if your refrigerator is not a frost-free or cyclic defrost model. Accumulated ice layer should not be more than 5 mm thick.
- The pre-set combination of drawers, baskets and shelves have already been set in the most efficient way for use of this product.

Defrosting Fridge Compartment

- The fridge compartment defrosts automatically. The defrosting water runs through the drain port to the drain tray at the back of the appliance.
- In the case, that some droplets may remain inside the compartment and re-freeze, after the defrosting cycle, this is normal. Do not use pointed or sharp objects, i.e. knives or forks, to remove the droplets which have frozen.
- Check the collection channel to ensure that no food particles have blocked the drain channel.

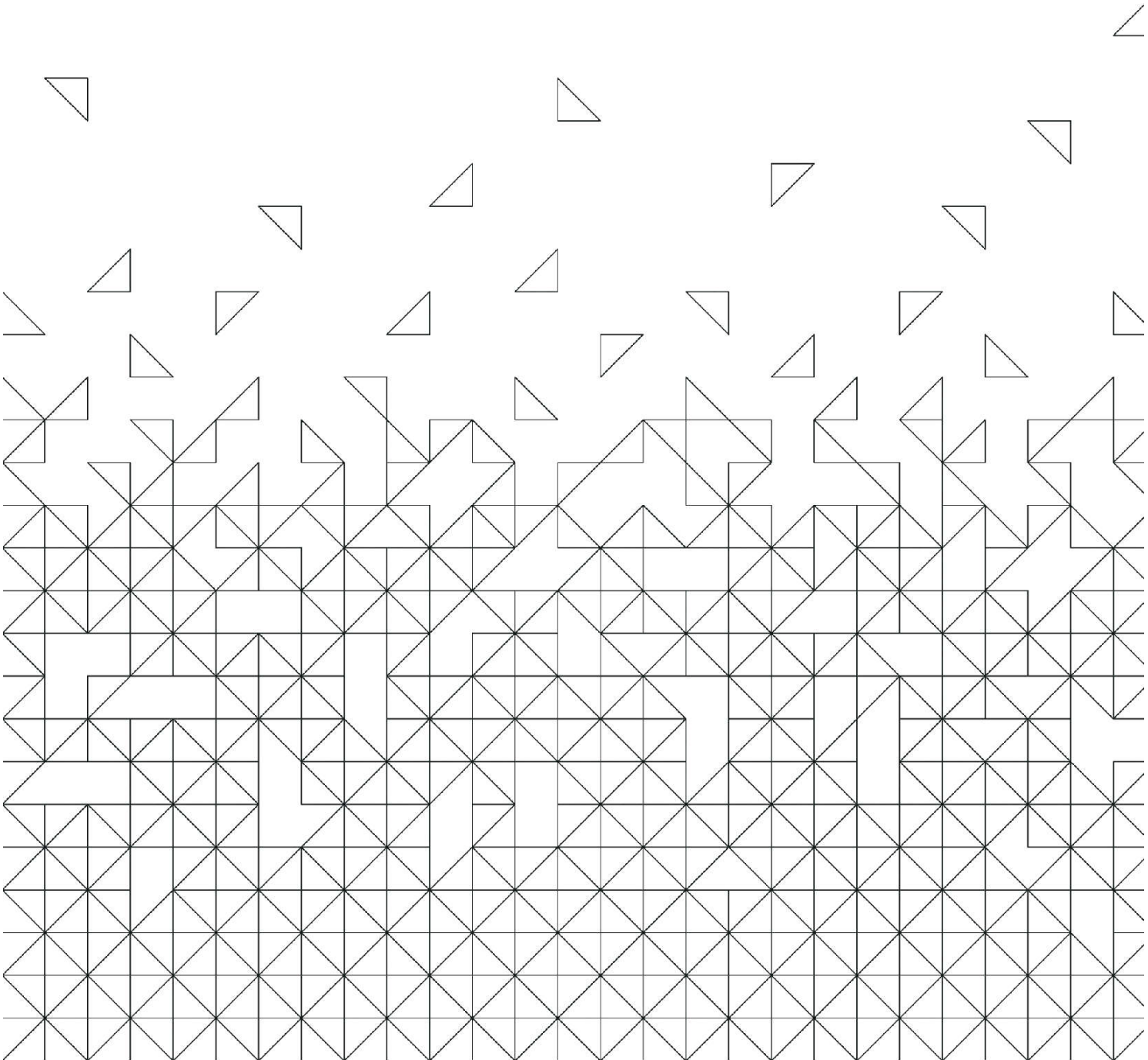
Freezer Compartment

To help you make the most of the freezing process, here are some important hints:

- the maximum quantity of food which can be frozen in 24 hrs. is shown on the rating plate;
- the freezing process takes 24 hours. No further food, to be frozen should be added during this period;
- only freeze top quality, fresh and thoroughly cleaned, foodstuffs;
- prepare food in small portions to enable it to be rapidly and completely frozen and to make it possible to thaw only the quantity required;



Care and Maintenance 5



Care and maintenance

Looking after your appliance

General



Important: Always unplug the appliance from the power socket during cleaning and maintenance.

- Never use any sharp instruments or abrasive substances, soap, household cleaner, detergent or wax polish for cleaning.
- Use luke warm water to clean the cabinet of the appliance and wipe it dry.
- Never clean the appliance with flammable fluids. It could cause damage and a fire hazard.
- Clean the exterior of the appliance and door seal with a damp cloth and dry it through.
- Avoid water going into the temperature control box. Clean with a dry cloth only.
- Clean the condenser (located at the back of the appliance) with a vacuum cleaner.
It is suggested to remove the dust every year.
- Shelves are all removable for cleaning purpose.
- Dusts behind the refrigerator and on the ground shall be timely cleaned to improve the cooling effect and energy saving.
- The interior of the refrigerator should be cleaned regularly to avoid odor.
- Check the door gasket regularly to make sure there are no debris.
- Please turn off the power before cleaning, remove all food, shelves, drawers, etc.
- Clean the door gasket with mild soap and water
- Use a soft cloth or sponge to clean the inside of the refrigerator, with two tablespoons of baking soda and a quart of warm water. Then rinse with water and wipe clean, and open the door and dry it naturally before the power is turned on.
- For areas that are difficult to clean in the refrigerator (such as narrow sandwiches, gaps or corners), it is recommended to wipe them regularly with a soft rag, soft brush, etc. and when necessary, combined with some auxiliary tools (such as thin sticks) to ensure no contaminant accumulation in these areas.
- Do not use soap, detergent, scrub powder, spray cleaner, etc., as these may cause odors in the interior of the refrigerator.
- Clean the bottle frame, shelves and drawers with a mild detergent and dry with a soft cloth.
- Wipe the outer surface of the refrigerator with a soft cloth dampened with soapy water, detergent, etc., and then wipe dry.
- Do not use hard brushes, clean steel balls, wire brushes, abrasives, such as toothpastes, organic solvents (such as alcohol, acetone, banana oil, etc.), boiling water, acid or alkaline items clean refrigerator considering that this may damage the fridge surface and interior.
- Do not rinse with water so as not to affect the electrical insulation properties.



Important: Care must be taken while cleaning/carrying the appliance not to touch the bottom of the condenser metal wires at the back of the appliance, as this could cause injury to at the back of the appliance, as this could cause fingers and hands.

Light bulb replacement

This appliance is equipped with an LED light. It can be used for a long time. If the LED light is blown, it must be replaced by a qualified person to avoid any hazard.

Contact the service agent at 0345 257 7271.

Care and maintenance

Looking after your appliance

General

Power failure

In case there is a power failure, you should contact the electricity supply company and take the following actions:

If it is less than 24 hours, keep the doors closed. This will allow the stored food to stay cold as long as possible.

If it lasts more than 24 hours, it is advised to empty the freezer compartment and temporarily store the food in a portable freezer or using artificial ice packs. Try to use up the food which is more easily perishable.

Remarks: A full appliance will stay cold longer than a partially filled one. If ice crystals are still visible on the food, it may be frozen again, although flavour and aroma may be affected. If food is found to be in a poor condition, it is best to throw it away.

Short vacation

There is no need to disconnect the appliance from the mains if you will be away for two to three weeks. Use up the perishable food.

Long vacation

Remove all the food if you are away for three weeks or more. Unplug the appliance and leave the doors open to provide air circulation to prevent odour and mould.

Moving your appliance

Moving

Refer to section "Transportation" under "Installation"

Error code

What to do in case of such failure is happened.


Error code	Possible issue	Solution
E1	Temperature detection circuit of cooler	Contact service provider
E2	Temperature detection circuit of freezer	Contact service provider
E5	Freezer defrosting temperature detection circuit	Contact service provider
E6	Communication fault	Contact service provider
E7	Ambient temperature detection circuit	Contact service provider

Care and maintenance

Looking after your appliance

Disassembly / assembly the door

- In case, there is a problem with a door, you can contact the service agent for a replacement or you can replace it by yourself.
- The size of the doors are, Freezer 395mm(W)x1714mm(H) and Fridge 500mm(W)x1714mm(H).

-  Warning: 2 people may be required to re-align the door.
- A Philips screwdriver will be required for this task.
- Put a protective layer on the floor before taking off the door.

To disassemble the door.

1. Unscrew the screw fixing the top hinge cover (Fig.a).
2. Remove the top hinge cover (Fig.b).
3. Unscrew the screw that secures the top hinge (Fig.c).
4. Press on the lock of the cable connector (Fig.d) and separate the lead wire (Fig.e).
5. One person should hold the door.
6. Remove the top hinge (Fig.f) from the door. Take care of the lead wire to avoid any damage to the wire.
7. Move the door upward to release it from the bottom hinge (Fig.g&h).
8. Lay the door on the floor on a protective layer to avoid making scratches on the surface.

To assemble the door

1. Carefully lift the door. Align the hole in the lower corner of the door over the lower hinge. Lower the door onto the lower hinge.
2. Insert the upper hinge into the hole on the upper edge of the door.
3. One person should hold the door in place.
4. Make sure the hinge is level between the upper hinge hole and the hole on the top of the cabinet.
5. Reattach the hinge screws to secure the door.
6. Reconnect the lead wires and refit the top hinge cover. Reattach the hinge cover with the screw.



Fig.a



Fig.b



Fig.c



Fig.d



Fig.e



Fig.f



Fig.g




Fig.h

Care and maintenance

Looking after your appliance

Technical Specifications

Model	MSBSNFWDW/MSBSNFWDSS/MSBSNFWTDB
Energy efficiency class	A+
Energy consumption KWh/year	408
Net storage volume fresh food (litres)	338
Net storage volume frozen food (litres)	175
Total net storage (litres)	513
Frozen food compartment rating	4star 
Climate class	SN/N/ST
Operating noise level dB(A)	43
Minimum Operation Temperature	10 °C
Product Dimensions (mm)	895x745x1788

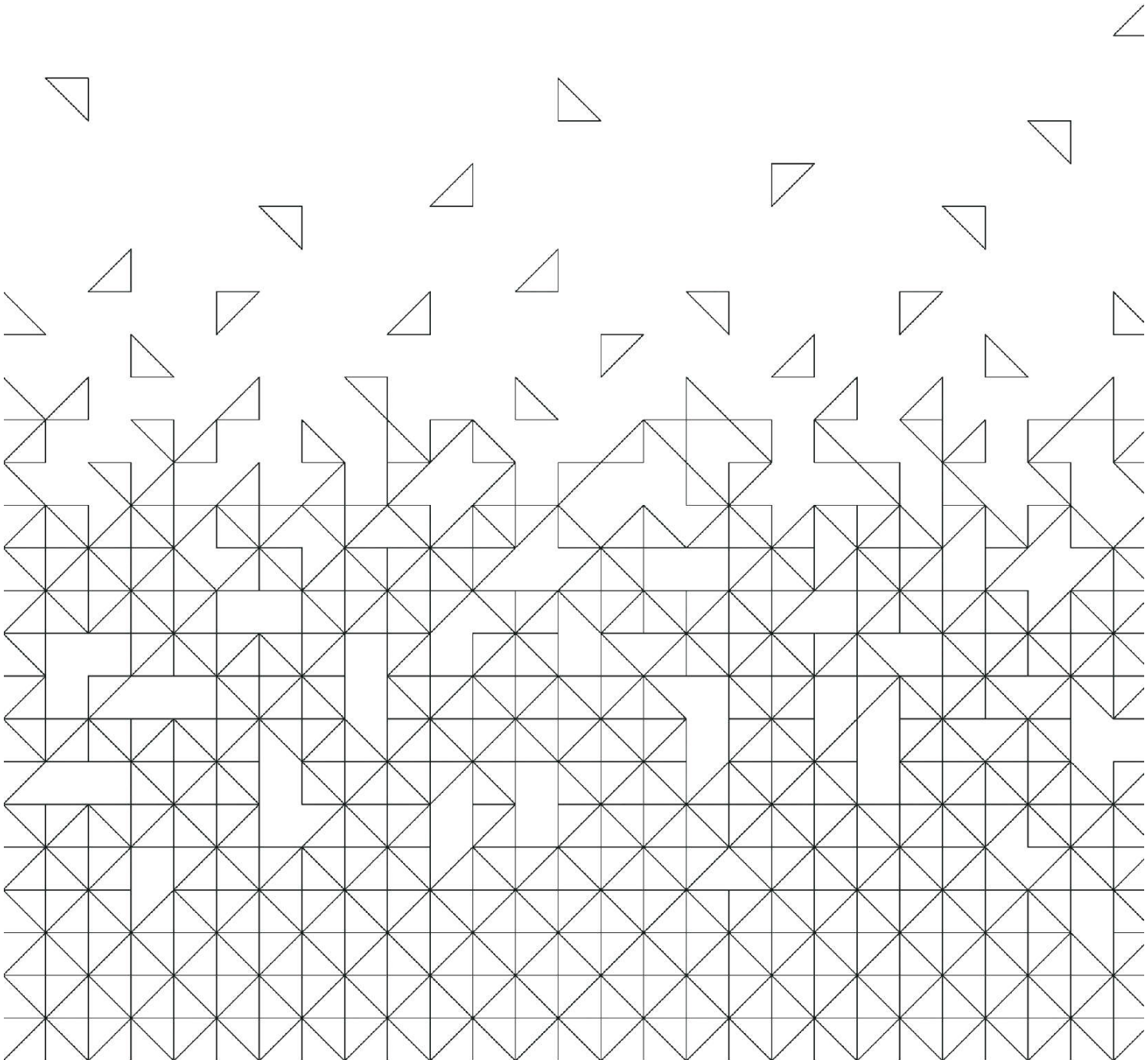
Disposal information



The symbol on the product or its packaging indicates that this product may not be treated as household waste. Instead it should be handed over to the applicable collection point for the recycling of electrical and electronic equipment. By ensuring this product is disposed of correctly, you will help prevent potential negative consequences for the environment and human health, which could otherwise be caused by inappropriate waste handling of this product. For more detailed information



Product support 6



Product support

Help is always at hand

Troubleshooting

If you have a problem with your product, these questions may be able to assist you?

Question- Appliance does not work.

Answer

Appliance is not switched on - Switch on the appliance.

Mains plug is not plugged in or is loose. - Insert mains plug.

Fuse has blown or is defective - Check fuse, replace if necessary.

Socket is defective - Mains malfunctions are to be corrected by an electrician.

Question - Appliance cools too much.

Answer

Temperature is too cold - Change to a warmer setting in front control panel.

Question - The food is too warm.

Answer

Temperature is not properly adjusted - Change to a cooler setting.

Door was open for an extended period - Open the door only as long as necessary.

A large quantity of warm food was placed in the appliance - Change to a cooler setting.

Cool warm food before placing in the refrigerator.

The appliance is near a heat source - Position the refrigerator away from a heat source.

Question- Interior light does not work.

Answer

Light bulb is defective - Replace the LED light part by service agent.

Question- Heavy build up of frost, possibly also on the door seal.

Answer

Door seal is not air tight - Carefully warm the leaking sections of the door seal with a hair dryer (not hotter than approx 50 degree). At the same time shape the warmed door seal by hand such that it sits correctly.

Question - Water on the floor or on storage shelves.

Answer

Water drain hole is blocked - Remove food residue or ice from the entrance of the drain hole.

Question - Appliance is making unusual noises

Answers

Appliance is not level - Readjust the front levelling feet.

Appliance is in contact with wall or other objects. - Push appliance away a short distance

A part at the back of the appliance e.g. a tube, is in contact with another appliance part or

wall - Gently bend this part away carefully if necessary

Product support

Help is always at hand

Help and assistance

If you require any technical guidance or find that your refrigerator is not operating as intended a simple solution can often be found in the **Troubleshooting** section of these instruction or online at **www.bush-support.com**

If you still require further assistance, call one of our experts on **0345 257 7271**. To help give us give you a fast and efficient service please have the following information ready.

Model Ref.

You can find these on the rating plate-a small information panel (usually a sticker or metal plate) on the rear of your appliance

Serial number

Date of purchase

This will be shown on your receipt

Local call rates applies*

Line open 8am-7pm Monday to Saturday and 10am-4pm Sunday

*Calls to Bush enquiry lines may attract a charge and set up fee from residential lines depending on your call plan/tariff. Mobile and other providers costs may vary, see www.bt.com/pricing for details.

For security and training purpose, telephone calls to and from customer service centres may be recorded and monitored. Call from Republic of Ireland will attract international call charges.



This appliance complies with the following EEC directives:
2014/35/EEC Low voltage directive
2014/30/EMC directive

Product support

Help is always at hand

BUSH

Call us now and activate your 12 month guarantee

Thank you for choosing Bush. Your new product is guaranteed against faults and breakdowns for 12 months. Don't forget to register it with us today so we can provide you with our best possible after-sale service and useful updates.

www.bushregistration.co.uk

FREEPHONE*

0800 597 8548

Lines are open 8am-8pm, 365 days a year. *Call may be recorded and monitored.

Your Bush Guarantee

This product is guaranteed for twelve months from the date of original purchase. Any defect that arises due to faulty materials or workmanship will be repaired free of charge (or if applicable the product will be replaced or the purchase price refunded) where possible during this period by the dealer from who your purchased unit.

The guarantee is subject to the following provisions:

- The guarantee does not cover accidental damage, misuse cabinet parts, knobs or consumable items.
- The product must be correctly installed and operated in accordance with the instructions contained in the manual
- It must be used solely for domestic purposes. The guarantee will be rendered invalid if the product is re-sold or has been damaged by inexpert repair.
- Specifications are subject to change without notice.
- Bush disclaim any liability for loss or damage arising from the breakdown of the product
- This guarantee is in addition to and does not diminish your statutory or legal rights

Important Data Protection Information

To find out how we and Domestic & General Insurance Plc use your data please refer to the guarantee registration material or visit www.bushregistrations.co.uk.

BUSH

Contact

www.bush-support.com

Helpline: 0345 257 7271