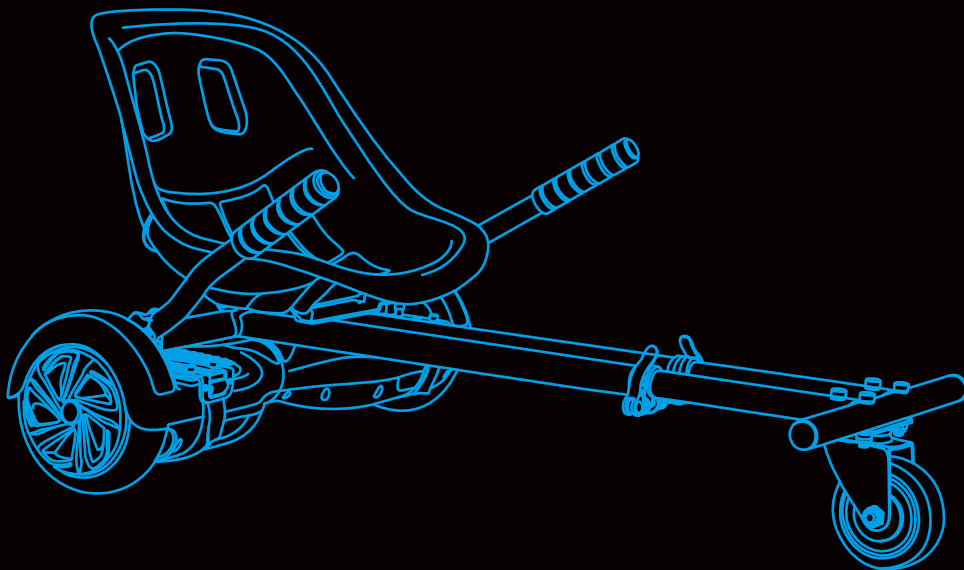


# X HOVER-1™ BUGGY



# X HOVER-1™ BUGGY



Operation Manual HY-H1-BGY  
IMPORTANT: KEEP FOR FUTURE REFERENCE

*\*Images used in this manual may vary slightly from the product and are for reference purposes only.*

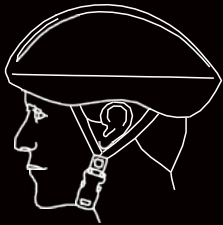


Even if you have ridden a scooter for years, it is important for you and every rider to read this manual before using this product.

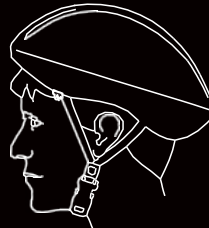
 **WARNING**

# HELMETS SAVE LIVES!

Always wear a properly fitted helmet that complies with CPSC or CE safety standards when you ride your scooter.



**Correct Fitting:**  
Make sure your helmet covers your forehead.



**Incorrect Fitting:**  
Forehead is exposed and vulnerable to serious injury.

# INTRODUCTION

This manual is designed to give you the information you need for the safe operation and maintenance of your new Hover-1 Buggy. Please read it thoroughly before riding your Hover-1 Buggy.

## **WARNING**

Make sure you read this complete manual before riding your Hover-1 Buggy. Failure to do so, or failure to follow its guidelines could lead to serious injury or death.

Section One of this manual involves safety and Hover-1 Buggy care. Understanding and following this Information will help you and your Hover-1 Buggy avoid injury or damage.

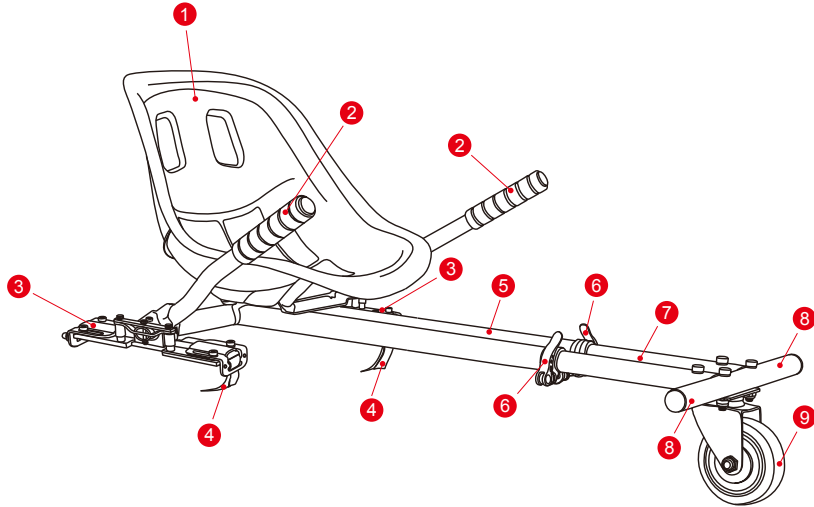
Section Two of this manual gives assembly and installation instructions for your Hover-1 Buggy.

Section Three of this manual covers specific safety and operating instructions for your Hover-1 Buggy. Even if you are an experienced rider, you should review this section before your first ride.

Section Four of this manual covers warranty specifications of your Hover-1 Buggy.

# HOVER-1 BUGGY DIAGRAM

1. Seat
2. Handle Bars
3. Pedal Mounts
4. Adjustable Strap
5. Seat Frame
6. Locker
7. Frame
8. Foot Rests
9. Front Wheel


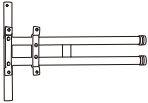
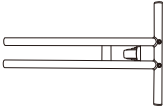
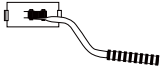
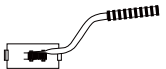






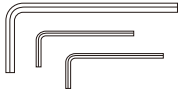




## SPECIFICATIONS

Compatibility:  
Max Load:  
Tire Size:  
Seat Material:

Most self-balancing scooters  
See max load of your self-balancing scooter  
4" swivel caster  
PP

# PARTS LIST

	(1) Seat
	(1) Seat Frame
	(1) Frame
	(1) Right Handle Bar
	(1) Left Handle Bar
	(2) Strap with velcro
	(4) Spare strap with velcro

	(4) Small Foam pad
	(1) Wrench
	(1) Allen Wrench
	(2) Locker
	(2) 8*35 Screw
	(4) M6*16 Screw
	(2) 8mm Nut

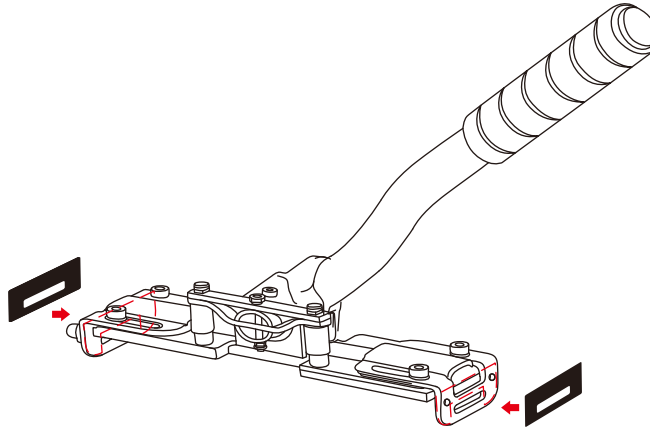
# ASSEMBLING YOUR HOVER-1 BUGGY

If you have questions or concerns about any of these steps, please feel free to contact our Customer Service Team at [support@Hover-1.com](mailto:support@Hover-1.com). Someone will be in touch to walk you through these steps.

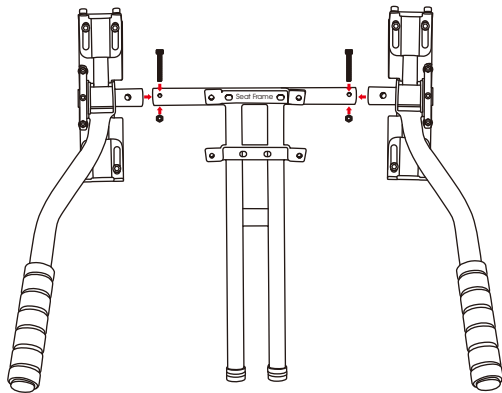
Carefully follow the steps shown on the following pages for assembling the Hover-1 Buggy.

Remove all Hover-1 Buggy contents from the box. Ensure all contents from the “Parts List” section are accounted for.

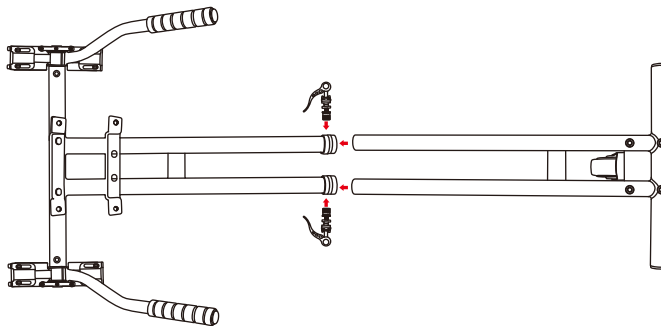
1. Locate the 4 foam pads and both handle bars. Remove the adhesive backing from each foam pad and center to each side of the pedal mounts as shown below. Ensure all of the foam pads are properly adhered to pedal mounts.



2. Locate the provided 8\*35 Screw and 8mm Nut. Attach the left and right handle bars to the seat frame as shown below.

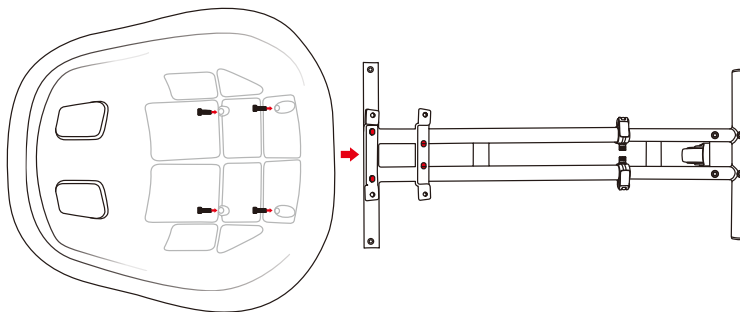


3. Insert the frame into the seat frame. Adjust the frame and the seat frame to your preferred size. Secure the frame in place using the locker.

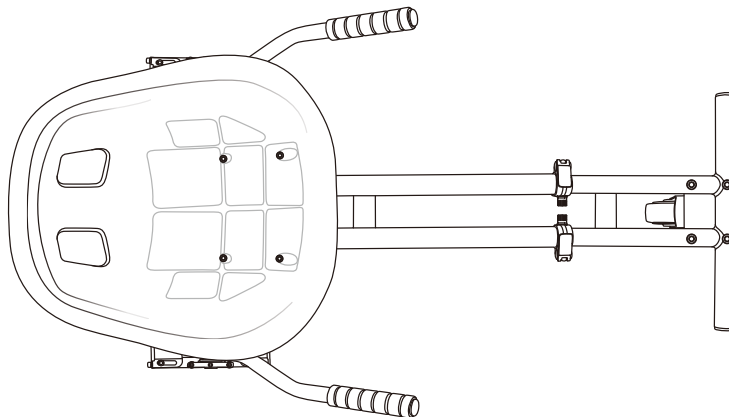




4. Align the holes of the seat with the seat frame. Secure the seat in place by M6\*16 screws using allen wrench.



5. Your Hover-1 Bubby is now completely assembled and should look like the below image.



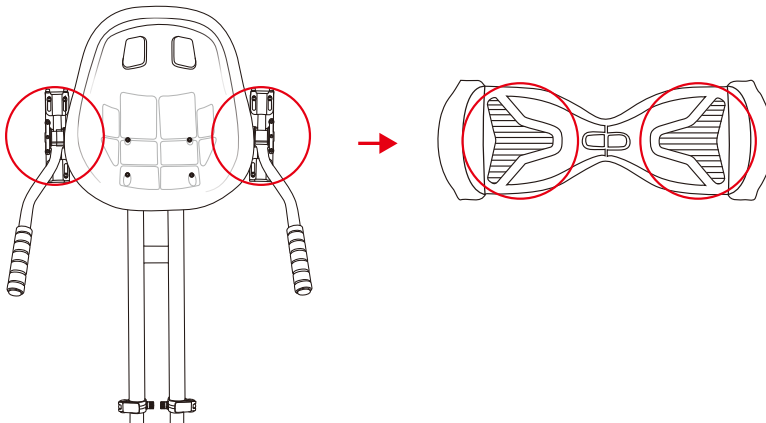
# INSTALLING YOUR HOVER-1 BUGGY

If you have questions or concerns about any of these steps, please feel free to contact our Customer Service Team at [support@Hover-1.com](mailto:support@Hover-1.com). Someone will be in touch to walk you through these steps.

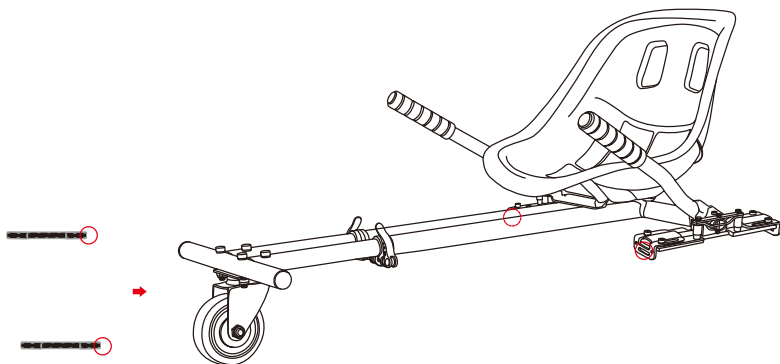
Carefully follow the steps shown on the following pages for installing the Hover-1 Buggy onto your electric scooter. Read the remainder of this manual before riding your Hover-1 Buggy.

Your Hover-1 Buggy should be completely assembled prior to installing it onto your electric scooter. Please refer to the "Assembling your Hover-1 Buggy" section for assembling procedures.

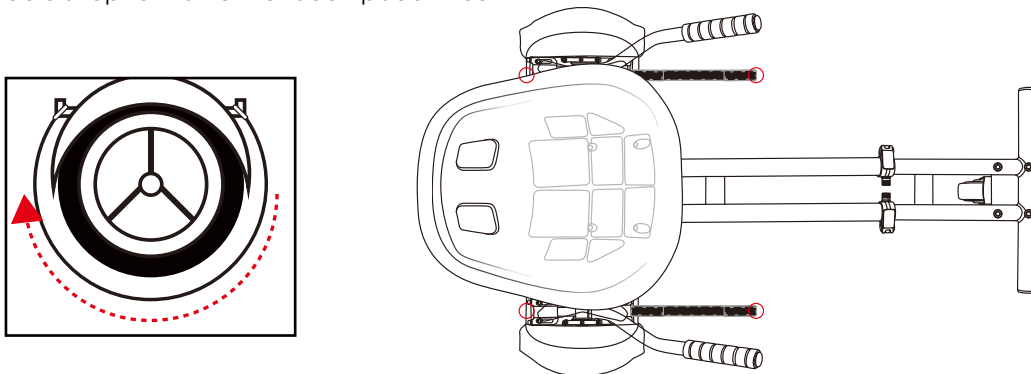
1. Place the pedal mounts onto the foot pedals of your self-balancing scooter with the front wheel facing forward. Ensure the pedal mounts are centered on the foot pedals of your scooter as much as possible.



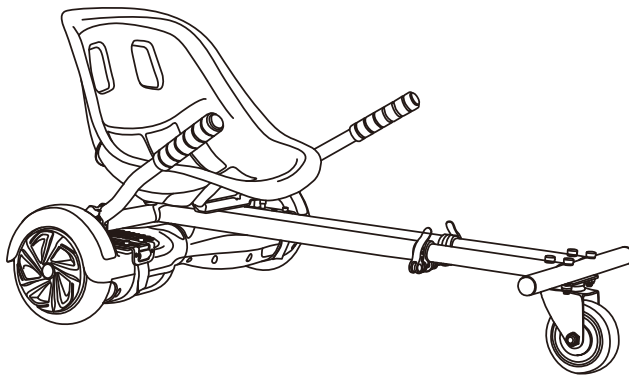
2. Secure your Hover-1 Buggy to your self-balancing scooter using both adjustable straps with Velcro. With the velcro side facing away from your scooter, attach one hook of each adjustable strap to the back of each pedal mount.



3. Wrap both adjustable straps under your self-balancing scooter and attach the second hook of each adjustable strap to the front of each pedal mount.



4. Adjust both adjustable straps so that they are secured tightly around your scooter.
5. Your Hover-1 Buggy should be properly installed onto your scooter as shown below.



# BEFORE RIDING



## WARNING

Any scooter that does not work properly can cause you to lose control and fall. Inspect the entire device thoroughly before every ride, and do not ride it until any problems have been corrected.

## HOVER-1 BUGGY OPERATION

It is important that you fully understand all elements of your Hover-1 buggy. If these elements are not used correctly, you will not have full control of your Hover-1 Buggy. Before you ride fast, or outside of a controlled environment, learn the functions of the various mechanisms on your Hover-1 Buggy.

Practice using the elements of your Hover-1 Buggy at slower speeds in a flat, open area before taking the Hover-1 Buggy on public roads.



## WARNING

Do not ride a Hover-1 Buggy with a part that is damaged; replace the damaged part before riding.

# PRE-RIDE HOVER-1 BUGGY CHECKLIST

Ensure that your Hover-1 Buggy and scooter are in proper working order each and every time you ride. If a part of the Hover-1 Buggy does not function correctly, please contact our Customer Support Center.

- Ensure your tire pressure is at the suggested PSI level for your scooter before riding.
- Ensure the battery of your scooter is fully charged before riding your Hover-1 Buggy.
- Ensure that the screws on the Hover-1 Buggy are locked firmly before each ride.
- Check to ensure the tires of your scooter are not worn.
- Check to ensure all connections are maintained on your scooter.

# SAFETY PRECAUTIONS

The first rule in safe riding is to use common sense. A Hover-1 Buggy is vulnerable; it cannot protect you in a crash, against impact, or loss of control the way driving a car can. A Hover-1 Buggy can tip over sideways or pitch you over the front wheel. It moves faster than a typical scooter. It does not have bumpers or airbags as a car does. This section is a guide of safe riding practices for operation. Make sure you are using your Hover-1 Buggy properly.

Different localities and countries have different laws governing riding on public roads, and you should check with local officials to ensure you are complying with these laws.

Hover-1 is not liable for tickets or violations given to riders who do not follow these regulations.

- For your safety, always wear a helmet that meets CPSC or CE safety standards. In the event of an accident, a helmet can protect you from serious injury and in some cases, even death.
- Obey all local laws, stop signs, pedestrian crosswalks, etc.
- If riding with friends and multiple Hover-1 Buggys, ride single file in a straight line.
- Have a satisfactory signaling device (bell, horn, etc.) to warn drivers and pedestrians of your approach.
- Ride defensively; expect the unexpected.
- Give pedestrians the right-of-way.
- Do not ride too close to pedestrians and alert them if you intend to pass them from behind.

- Slow down at all street intersections and look to the left and right before crossing.
- Obey all traffic signals.
- Always use proper hand signals for turning and stopping. Give signals 100ft before stopping or turning and always return both hands to the handle bars before stopping or turning.
- Watch for cars pulling out into traffic and for the sudden opening of car doors.
- Avoid potholes, drainage grates or other hazards.
- Cross railroad tracks at a right angle.
- Be careful when riding on soft road edges, gravel, sand and uneven surfaces. Ride slowly and avoid quick turns when riding on these surfaces.
- Never hitch onto other vehicles.
- Do not “stunt” ride or race in traffic.
- Do not weave in and out of traffic or swerve from side to side.
- A crash can put extraordinary stress on Hover-1 Buggy components, possibly causing them to fatigue prematurely. Components suffering from stress fatigue can fail suddenly, causing loss of control or serious injury.

#### CAUTION: RIDING IN WET WEATHER

Brakes do not work as well under wet conditions as they do when dry. It is recommended that you do not ride your Hover-1 Buggy in wet weather, as there are electronic components in your scooter that may be damaged if exposed to water.



1. This product is strictly forbidden to use on roads and highways, unless your local laws state otherwise. You must wear a safety helmet, knee and elbow pads and other necessary protective gear when riding your Hover-1 Buggy.
2. Due to the particularity of the product, the assembly pieces are to be checked before every ride to avoid an accident while riding.
3. Do not make sharp turns as you may drift and over-turn the Hover-1 Buggy, which can result in injury to yourself and/or damage the unit.
4. Do not operate near swimming pools or other bodies of water.



### **WARNING:**

To reduce the risk of injury, adult supervision is required. Never use in roadways, near motor vehicles, on or near steep inclines or steps, swimming pools or other bodies of water; always wear shoes, and never allow more than one rider.

# RIDING YOUR HOVER-1 BUGGY

Ensure your Hover-1 Buggy is fully assembled and correctly installed onto your scooter with all straps and screws secured in place. Ensure your scooter is properly maintained as well. Failure to do so may result in serious bodily harm or death and damage to the unit.

After reviewing the pre-ride checklist, follow the steps below to begin riding your Hover-1 Buggy.

1. Turn on your scooter.
2. Sit comfortably in the Hover-1 Buggy seat.
2. Place your feet onto the foot rests.
3. Firmly grip both handle bars and slowly push them downward simultaneously to move forward.
4. When riding, slowly pull both handle bars upwards simultaneously to brake.
5. To reverse, slowly pull both handle bars upwards simultaneously.
6. To turn right, push the right handle bar down while holding the left handle bar in neutral position.
7. To turn left, push the left handle bar down while holding the right handle bar in neutral position.

# WARRANTY

This product comes with a 30 day limited replacement warranty for manufacturer's defects. This includes defects to the seat, wheel, etc.

This product comes with a 120 day parts and labor warranty. Shipping & handling costs are not included.

The condition of this warranty and our responsibilities under this warranty are as follows:

Manufacturer's warranty is non-transferable. And this warranty is limited to the original purchaser only.

- \* You must be able to prove the date of original purchase of the Buggy with a dated receipt.
- \* Warranty period begins on date of purchase, not date of first use.
- \* The warranty is not applicable if the product has been subject to physical abuse, improper installation, modification or repair by unauthorized third party.
- \* The responsibility of manufacturer's products shall be limited to the repair or replacement of the product at its sole discretion.
- \* Specifically exempt from any warranty are limited-life consumable components subject to normal wear and tear such as tires, decorates and other accessories.

\*The manufacturer will not take any responsibility if the failure of the unit has resulted from accident, abuse, misuse, or any unauthorized repair, modification or disassembly.

\* Modification and repair of the Buggy should be done by authorized and qualified service personnel or manufacturer.

\* This warranty gives you specific legal rights, and you may also have other rights which vary under local laws.

The following conditions comprise the requirements and scope of our warranty conditions and do not affect our legal and contractual warranty obligations.

We offer a warranty on our products in accordance with the following conditions:

1) The warranty does not cover tires and other parts, which are considered consumables, parts that break easily such as glass or plastic or defects based on normal wear and tear. There is not warranty obligation in the event of marginal differences compared to the target appearance and workmanship provided these have a negligible effect on the product's fitness for use, in the event of damage caused by chemical or electrochemical effects, by water or generally from abnormal conditions.

2) The warranty will be performed in such a way that we shall decide whether to repair the defective parts or to replace them with working parts free of charge. Hover-1 reserves the right to exchange the product for a replacement product of equal value if the product sent in cannot be repaired within a reasonable time or at a reasonable cost. All repairs are performed at a Hover-1 facility. Parts that have been replaced or exchanged become property of Hover-1.

3) The warranty claim does not apply if repairs or other work is carried out by unauthorized persons or if our products are equipped with additional parts or accessories that are not approved for the Buggy.

4) Warranties that have been activated do not cause the warranty period to be extended, nor do they trigger a new warranty period. The warranty period for any replacement parts installed ends with the warranty period for

the entire product.

5) Any other further claims are excluded, especially those for replacement due to damage caused to the outside of the product, provided there is no obligatory legal liability.

We therefore accept no liability for accidental, indirect or other consequential damage of any kind, which leads to usage restrictions, data loss, and loss of earnings or interruption to business.

Asserting a warranty claim:

1) To make use of the warranty services, you must contact the Hover-1 Service Center by visiting [www.Hover-1.com](http://www.Hover-1.com) or emailing [support@hover-1.com](mailto:support@hover-1.com)

2) Hover-1 will try to diagnose and solve your problem. If it is determined that a warranty claim exists, you will be given an RMA number (Return Material Authorization) and will be asked to send the product to Hover-1.

**IMPORTANT:** Hover-1 will only accept parcels that have an RMA number.

Please observe the following when sending the product:

1) Send the product suitably packaged with carriage and insurance paid. Use only a carrier that provides tracking.

2) Mark the RMA number on the outside of the package in such a way that is visible and clearly legible.

3) You must enclose a copy of the receipt as proof of purchase.

4) Once Hover-1 has received the product, it will meet its warranty obligations in accordance with the warranty conditions and will return the product to the sender. Outbound return shipping will be paid by Hover-1.

## SERVICE OUTSIDE OF WARRANTY

Hover-1 can refuse any service claim made that is not covered by the warranty. Please contact [support@hover-1.com](mailto:support@hover-1.com) for pricing and availability of repairs, outside of warranty.

If Hover-1 agrees to provide a service outside the warranty, the customer will be invoiced for all repair and transport costs. Hover-1 will not accept any packages that have not first been approved by Hover-1 by means of an RMA (Return Material Authorization).

Contact us with questions at:

[support@Hover-1.com](mailto:support@Hover-1.com)

[www.Hover-1.com](http://www.Hover-1.com)

Hover-1

Edison, NJ 08837



[www.Hover-1.com](http://www.Hover-1.com)



[Facebook.com/hover1tranz](https://Facebook.com/hover1tranz)



[@hypehover\\_1](https://www.instagram.com/hypehover_1)