


BUSH

Instruction manual

BD-1807





You'll soon be enjoying your new Stereo DAB/FM Radio with Bluetooth.

It all begins here, with your instructions. Don't worry, there's nothing too technical coming up. Just simple, step-by-step guidance to get you up and running quickly. Sound good? Then let's get started.

Help and Guidance

We're here to help you get the most from your Stereo DAB/FM Radio with Bluetooth. Should you require any guidance, a simple solution can often be found online at:

www.bush-support.com

If you still require further assistance, call one of our experts on **0345 600 3021**.

If you require any technical guidance or find that your product is not operating as intended, a simple solution can often be found in the **Troubleshooting**

BUSH

Contents

1 Safety information

| | |
|--|---|
| General safety information | 8 |
| Power source | 8 |
| Positioning the Stereo DAB/FM Radio with Bluetooth | 9 |

2 Getting to know your Stereo DAB/FM Radio with Bluetooth

| | |
|-------------------------------|----|
| Your Stereo DAB/FM Radio | 14 |
| Connection | 16 |
| Initial set-up | 16 |
| Adjusting the volume | 17 |
| Time and date | 17 |
| Change the mode | 18 |
| Using headphones | 18 |
| Connect to a Bluetooth device | 19 |

3 Using your Stereo DAB/FM Radio with Bluetooth

| | |
|------------------------------|----|
| DAB Radio mode | 22 |
| Changing DAB stations | 22 |
| Scanning for DAB stations | 22 |
| Prune DAB stations | 23 |
| Storing a DAB station preset | 23 |
| Tune to a DAB preset station | 24 |
| DAB display information | 24 |
| Dynamic range control (DRC) | 25 |
| FM Radio mode | 26 |
| Tuning to an FM station | 26 |
| Changing the Scan setting | 27 |

section of these instructions, or online at www.bush-support.com If you still require further assistance, call one of our experts on 0345 600 3021.

Contents

| | |
|--|----|
| Audio mode | 27 |
| Storing an FM station preset | 28 |
| Tune to an FM preset station | 28 |
| FM display information | 29 |
| Bluetooth mode | 29 |
| Listening to Music/Audio using Bluetooth | 30 |
| Setting the alarm | 31 |
| Snooze | 32 |
| Sleep timer | 32 |
| Display backlight timeout | 33 |
| Display language | 34 |
| 4 Other information | |
| Software version | 38 |
| Factory reset | 38 |
| Technical specification | 39 |
| 5 Product support | |
| Troubleshooting | 42 |
| Declaration of Conformance | 44 |
| Your Bush Guarantee | 45 |

If you require any technical guidance or find that your product is not operating as intended, a simple solution can often be found in the **Troubleshooting**

This page is left intentionally blank

section of these instructions, or online at www.bush-support.com If you still require further assistance, call one of our experts on 0345 600 3021.

BUSH

This page is left intentionally blank

Safety information

1





Safety information

Important - Please read these instructions fully before installing or operating

General safety information

Keep the product and all its parts out of reach of small children.

This product is not intended for use by persons (including children) with reduced physical, sensory or mental capabilities, or lack of experience and knowledge, unless they have been given supervision or instruction concerning the use of the appliance by a person responsible for their safety.

- **Do not** attempt to open the product. This product does not contain any user serviceable parts. Unauthorised handling of the device may damage it and will void your warranty.
- **Do not** use your Radio near emergency/intensive care medical equipment, or during an electrical storm.



To avoid possible hearing damage, do not listen to this radio at high volume levels for long periods of time. Always keep the volume within reasonable limits.

Power source

- Only use the power supply that came with the product. Using an unauthorised power supply will invalidate your guarantee and may irreversibly damage the product.
- Disconnect your Radio from the mains power supply during thunderstorms.
- Always check that you have completely switched off your Radio, before you change or disconnect the power supply.
- Where the mains power plug or an appliance coupler is used as the disconnect device, the disconnect device shall remain readily operable.
- If the Radio will not be used for a long period of time, make sure that all of the batteries are removed from the battery compartment and the mains power is unplugged.
- Only use recommended batteries or those of the same or equivalent type.
- Do not mix old and new batteries or batteries of different types.
- Batteries are to be inserted with the correct polarity.

If you require any technical guidance or find that your product is not operating as intended, a simple solution can often be found in the **Troubleshooting**



Safety information

Important - Please read these instructions fully before installing or operating

- The supply terminals are not to be short-circuited.
- Remove the batteries from the Radio if they will not be used for an extended period of time.
- Never throw batteries in a fire or attempt to open the outer casing.
- Do not expose batteries to excessive heat, such as sunshine.
- Batteries are harmful if swallowed, so keep away from young children.
- CAUTION: Danger of explosion if batteries are incorrectly replaced. Replace only with the same or equivalent type.

Positioning the Stereo DAB/FM Radio with Bluetooth

It is important that you consider carefully in advance where your Radio will be situated and make sure that it is:

- on a flat and stable surface
- within 1.4 metres of a power socket. Please ensure that the mains power lead is not a trip hazard.
- at least 1 metre away from other electrical appliances to avoid interference where it will be in range of the connected or 'paired' bluetooth device (e.g. iPod/iPhone/iPad/Android/other phone/computer, which is about 10 metres or less (33 feet or less) in line of sight.
- where you can fully extend the telescopic aerial
- Never place your Radio directly onto antique or polished surfaces.

Moisture and water

- Keep it dry. Avoid exposure to precipitation, humidity and liquids which could all affect the product circuitry.
- **Do not** leave it in low temperatures as moisture can form inside the product, which may damage the circuit board.

section of these instructions, or online at www.bush-support.com If you still require further assistance, call one of our experts on 0345 600 3021.



Safety information

Important - Please read these instructions fully before installing or operating

Ventilation

- **Do not** block or cover slots, holes or openings on the product by placing on soft furnishings such as carpets, rugs or beds as these are provided for functionality and/or ventilation to ensure safe operation of the product.

Heat sources and flames

- **Do not** leave it in high temperatures as electronic devices and plastic parts may warp in heat.
- Keep it away from bright sunlight or heat sources, such as a radiator.
- No naked flame sources, such as lighted candles, should be placed on the product.

If you require any technical guidance or find that your product is not operating as intended, a simple solution can often be found in the **Troubleshooting**

This page is left intentionally blank

section of these instructions, or online at www.bush-support.com If you still require further assistance, call one of our experts on 0345 600 3021.

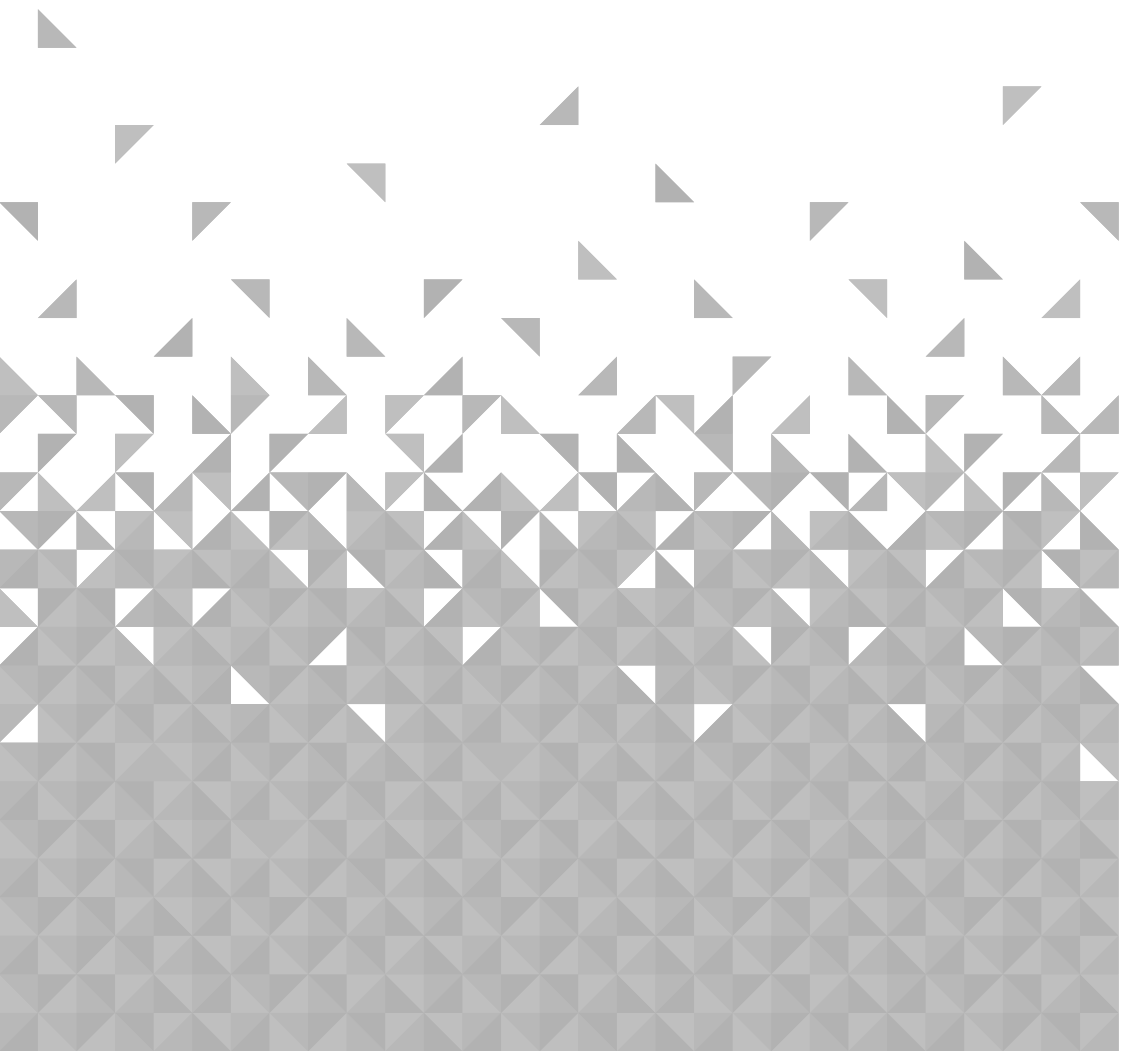
Safety information

BUSH

This page is left intentionally blank

Getting to know your Stereo DAB/FM Radio with Bluetooth

2



Getting to know your Stereo DAB/FM Radio

You'll be up and running in no time

Ready? Let's begin...

Please read these instructions carefully. They contain important information which will help you get the best from your product and ensure safe and correct installation and operation.

If you require any further assistance, our technical experts are happy to help. For full details, refer to the product support section at the end of these instructions.

Fig 1.

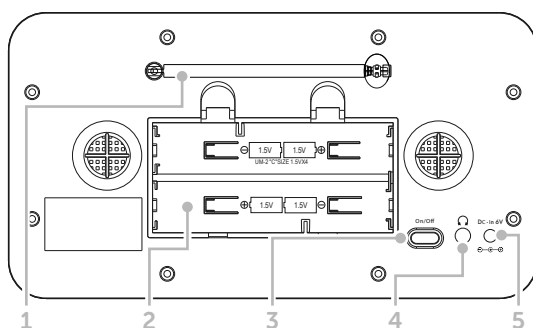
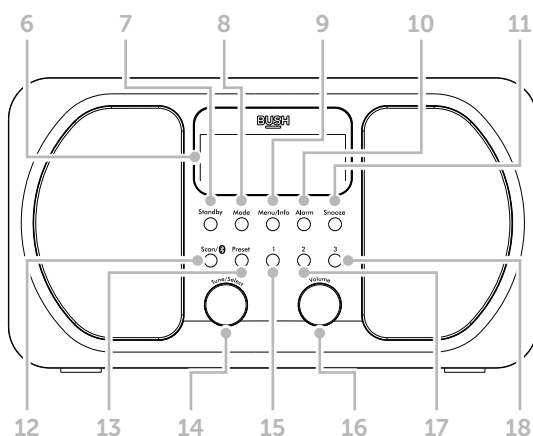


Fig 2.



If you require any technical guidance or find that your product is not operating as intended, a simple solution can often be found in the **Troubleshooting**

Getting to know your Stereo DAB/FM Radio

You'll be up and running in no time

1. Telescopic aerial
2. Battery compartment
3. Power on/off switch
4. Headphone socket
5. Power socket
6. Backlit display
7. Power
 - Short press: Power on
 - Short press: Standby (Mains power)
 - Short press: Power off (Battery)
8. Mode (DAB/FM/Bluetooth)
 - Short press: changes the mode
9. Menu/Info.
 - Long press: Enter the Menu
 - Short press: Station information
10. Alarm
 - Short press: Alarm on/off
 - Long press: Alarm settings
11. Snooze
 - Press to Snooze when the alarm sounds
12. Scan
 - Short press in DAB mode: Scans for radio stations
 - Short press in FM mode: Scans up the frequency band
 - Long press in FM mode: Scans down the frequency band
- Long press in Bluetooth mode: to disconnect current device and scan for new devices.
13. Preset
 - Short press: Preset recall
 - Long press: Preset store
14. Rotary Tune/Select control:
 - Rotate: Scroll through the available stations/frequencies or menu options
 - Short press: Select a displayed radio station/frequency or menu option
15. Memory preset 1
 - Short press: Preset 1 recall
 - Long press: Preset 1 store
16. Rotary Volume control
17. Memory preset 2
 - Short press: Preset 2 recall
 - Long press: Preset 2 store
18. Memory preset 3
 - Short press: Preset 3 recall
 - Long press: Preset 3 store

section of these instructions, or online at www.bush-support.com If you still require further assistance, call one of our experts on 0345 600 3021.

Getting to know your Stereo DAB/FM Radio

You'll be up and running in no time

Connection

1. Connect the mains power lead into the socket on the back of the Radio.
2. Plug the power adaptor into the mains power wall socket and switch on. Slide the power switch on the back of the radio to On. The Radio will switch on, Welcome to Digital Radio will be displayed and then your Radio will go to Standby mode.

Inserting batteries (optional)

1. Before installing the batteries (not included) please ensure that the Radio is switched off using the Power switch on the back of the radio and has been unplugged from the mains power supply.
2. On the back of the Radio, press down the two tabs on the battery compartment cover to remove it.
3. Insert 4 x 1.5V C-size (also known as LR-14) batteries, making sure to note the '+' and '-' markings and position the batteries the correct way around.
4. Replace the battery cover, making sure that it 'clicks' shut.

Note: For battery operation please ensure that the mains power is switched off and remove the mains power plug from the socket on the back of the Radio.

Initial set-up

1. Extend the telescopic aerial to ensure the maximum signal strength when you scan for radio stations.
2. Short press the Power button on the front of your radio. Your radio will switch on and begin an automatic scan for DAB stations. A progress bar will show the progress of the scan and the number of stations found during the scan will also be displayed.
3. When the scan is complete your radio will select the first available station and begin to play. Stations are listed in numerical and then alphabetical order by default.

If you require any technical guidance or find that your product is not operating as intended, a simple solution can often be found in the **Troubleshooting**

Getting to know your Stereo DAB/FM Radio

You'll be up and running in no time

Note: The DAB radio station list is stored in the memory and so the next time you switch your radio on, the station search does not take place. It is possible to scan manually for stations by pressing and releasing the Scan button.

4. Turn the rotary 'Tune/Select' control to scroll through the available stations. When the station that you would like to listen to is displayed press to 'Select'. There will be a short delay whilst your DAB radio tunes to your selected station.

Adjusting the volume

- Turn clockwise to increase the volume.
- Turn anti-clockwise to decrease the volume.

Time and date

The first time you listen to DAB radio, the time and date of your product will be synchronised automatically to that broadcast by the DAB service in 24 hour mode; which is in line with daylight saving, so there is no need to set the time and date manually.

If you do wish to set the time and date manually, turn on the radio and follow the steps below:

1. Long press the Menu button to enter the menu options.
2. Use the Tune/Select control to scroll to <System>. Press to Select.
3. Use the Tune/Select control to scroll to <Time>. Press to Select. <Set Time/Date> is displayed. Press to Select.
4. Set time is displayed and the hour digits will flash. Use the Tune/Select control to scroll to the correct hour. Press to Select.
5. The minutes will now flash. Use the Tune/Select control to scroll to the correct minutes. Press to Select.

section of these instructions, or online at www.bush-support.com If you still require further assistance, call one of our experts on 0345 600 3021.

Getting to know your Stereo DAB/FM Radio

You'll be up and running in no time

6. Set date is displayed and the day will flash. Use the Tune/Select control, to scroll and select to confirm the day, month and year, using the same method as you used to set the time.

When you confirm the correct date. 'Time Saved' is displayed and the display returns to <Set Time/Date>.

You can now use the Tune/Select control to scroll and select, as you did to set the time and date to change the settings for:

12/24 hour clock display, the date format, DD-MM-YYYY or MM-DD-YYYY and to auto update the time from the DAB signal, FM signal, DAB or FM signal or no update.

7. Short press the Menu button until you exit the Menu options.

Change the mode

Short press the Mode button to change between DAB, FM and Bluetooth modes. Please check the display, which will confirm the mode.

Using headphones

You can connect headphones with a 3.5mm plug (not included) to your radio. The headphone socket can be found on the back of the radio at the bottom. When you have headphones connected the radio speakers are switched off and all sound is via the headphones.

Note: Always keep the volume within reasonable limits.

If you require any technical guidance or find that your product is not operating as intended, a simple solution can often be found in the **Troubleshooting**

Getting to know your Stereo DAB/FM Radio

You'll be up and running in no time

Connect to a Bluetooth device

Check that your radio is in Bluetooth mode. If you are not already in Bluetooth mode, Short press the Mode button until you are in Bluetooth mode (check the display). Your radio will begin to search for Bluetooth devices.

In Bluetooth Mode:

1. Your radio will search for Bluetooth devices.
2. On the device that you would like to connect to your radio (e.g. iPhone/iPad/Android/ other phone/Tablet/Computer), turn on Bluetooth connectivity and ensure that it is 'discoverable'.

Note: If necessary, refer to the instructions for your device to add or set up Bluetooth.

3. Select to 'Add new device', if necessary.

Note: Some products will automatically search for a new device and so the 'Add new device' option is not available.

4. When found, your radio will be displayed as 'BUSH BD-1807'. Select the device name to begin pairing.
5. When pairing is complete 'Connected' will be displayed and there will also be an audio confirmation.
6. Now that you have paired your device with the radio, it will connect to it when it is within range, which is about 10 metres or less (33 feet or less), line of sight.
7. Your device will remain paired with the radio unless you decide to disconnect or 'unpair' it.

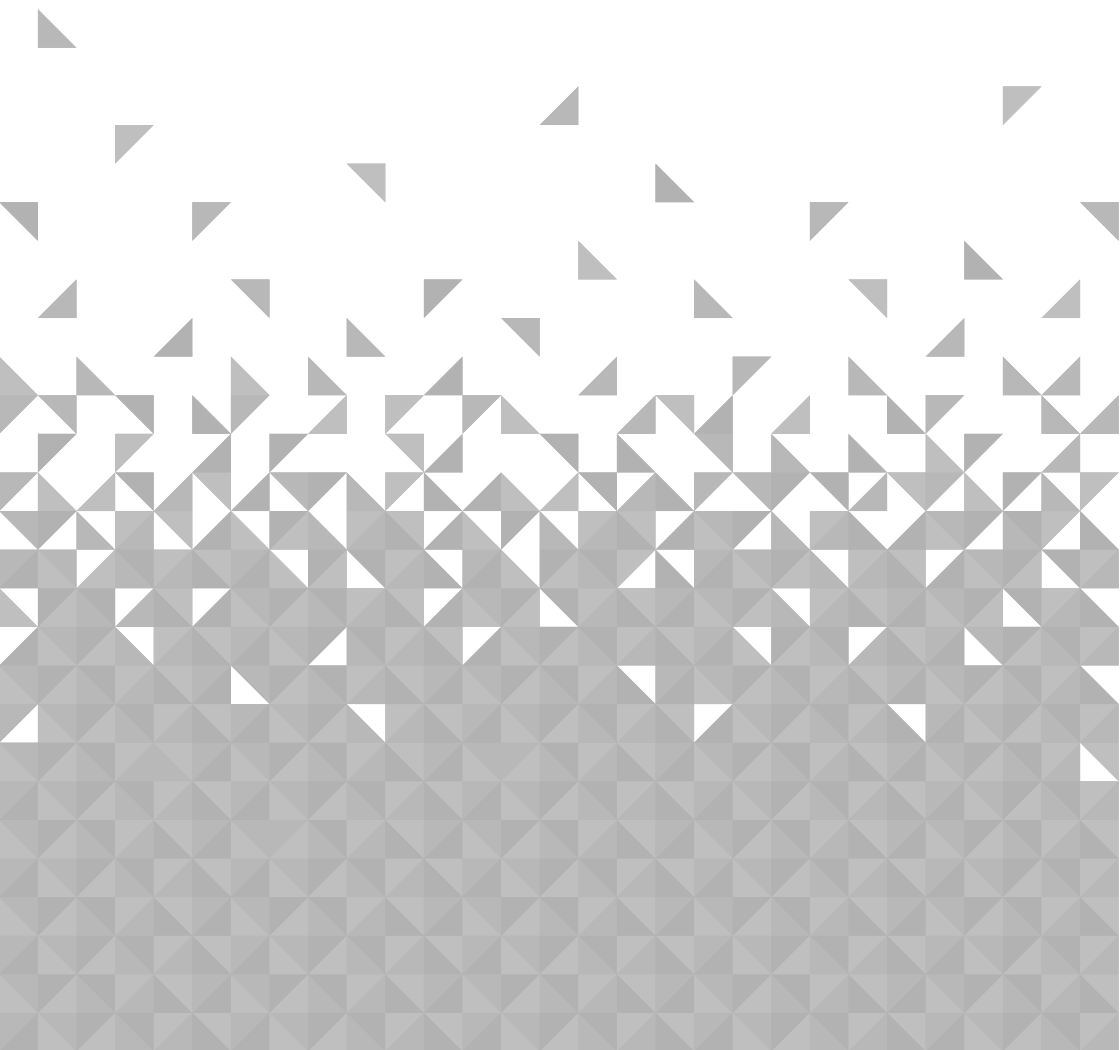
Note: You can long press the Scan button for 3 seconds to unpair your current device and search for new devices.

section of these instructions, or online at www.bush-support.com If you still require further assistance, call one of our experts on 0345 600 3021.

This page is left intentionally blank

Using your Stereo DAB/FM Radio with Bluetooth

3



Using your Stereo DAB/FM Radio

Let's get started

Telescopic aerial

Please make sure that the aerial is fully extended before you attempt to tune to a DAB station (a vertical position is recommended). This will ensure that the maximum signal strength is available when the radio begins to scan. Extending the aerial also ensures the best possible sound quality.

DAB Radio mode

- Check that your Radio is in DAB mode. If you are not already in DAB mode, short press the Mode button until you are in DAB mode (check the display).
- The first time you use the Radio or if the station list is empty, your radio will automatically begin to scan for DAB radio stations. A progress bar will show the progress of the scan and the number of stations found during the scan will also be displayed.
- If you were listening to a DAB station when you switched the radio off, then this station will automatically be selected when you switch the radio back on.

Changing DAB stations

1. Turn the Tune/Select control to scroll through the available stations.
2. When the station that you would like to listen to is displayed, press the Tune/Select control to select it. There will be a short delay whilst your radio tunes to your selected station.

Scanning for DAB stations

With DAB radio additional stations and services regularly become available, so it's a good idea to carry out a manual scan every now and then to make sure that you have the most up to date station listing stored within the memory of your Radio. If you have moved your Radio to another location, e.g.: if you go on holiday, then it's also a good idea to carry out a manual scan.

If you require any technical guidance or find that your product is not operating as intended, a simple solution can often be found in the **Troubleshooting**

Using your Stereo DAB/FM Radio

Let's get started

In DAB mode:

1. Short press the Scan button to begin a search for stations. The display will change to 'Scanning...'. A progress bar will show the progress of the scan and the number of stations found during the scan will also be displayed.

Prune DAB stations

You can remove the DAB stations in the station list that cannot be received in your area. These are listed with a '?' prefix.

In DAB mode:

1. Long press the Menu button to enter the menu options.
2. Use the Tune/Select control to scroll to <Prune>. Press to Select.
3. Prune? Yes <No> is displayed. Use the Tune/Select control to scroll to Yes. Press to Select and prune the station list. Stations with a '?' prefix will now no longer be displayed.

Storing a DAB station preset

Your Radio can store up to 10 DAB radio stations in its preset memories for instant access to your favourite stations.

Note: When you store DAB radio station presets, these do not overwrite your FM station presets.

1. Tune the Radio to the DAB radio station that you wish to preset.
2. Long press the Preset button for approximately 2 seconds until Preset Store <1:(Empty)> is displayed.
3. Use the Tune/Select control to move to the preset location that you would like to store the radio station to (1-10).

Note: When you store a radio station to Preset location 1, 2 or 3, this will also be saved under the number '1', '2' and '3' buttons on the front of your radio.

section of these instructions, or online at www.bush-support.com If you still require further assistance, call one of our experts on 0345 600 3021.

Using your Stereo DAB/FM Radio

Let's get started

4. Press the Tune/Select control to Select. The display will confirm Preset X stored, where 'X' is the number of the preset (1-10).

Note: If there is already an existing DAB station stored under a preset, it will be overwritten when you store the new station.

Tune to a DAB preset station

In DAB mode:

Note: To quickly access the radio stations stored under Preset locations 1, 2 or 3, you can just Short press the '1', '2' or '3' button, as appropriate, on the front of your radio.

1. Short press the Preset button. Preset Recall <1:> is displayed together with the name or frequency of the station stored there, or (Empty) if no previous station has been stored.
2. Use the Tune/Select control to move to the Preset location and station that you would like to listen to (1-10).
3. Press the Tune/Select control to Select. The radio will instantly tune to that station and begin to play.

Note: If no DAB station has been stored under the preset button, 'Preset Empty' will be displayed, then the radio will revert to the previously selected radio station.

DAB display information

When listening to a DAB station you can change the information that will appear on the display. There are several different types of information that are sent by the broadcaster.

- **Dynamic Label Segment (DLS)** - this is scrolling text information supplied by the broadcaster. Information could be the name of an artist or music title, DJ's name, contact details for the radio station etc.

If you require any technical guidance or find that your product is not operating as intended, a simple solution can often be found in the **Troubleshooting**

Using your Stereo DAB/FM Radio

Let's get started

- **Signal Strength** - An empty will appear on the display to indicate the minimum signal strength for acceptable listening. The row of solid rectangles indicates the actual signal strength that you are receiving. The stronger the signal, the further to the right the row of solid rectangles will be.
 - **Program Type (PTY)** - such as 'Rock', 'Pop', 'Talk' or 'News'
 - **Multiplex Name** - displays the broadcasting area and collection of radio stations on this frequency e.g.: BBC National DAB, Digital 1 Network.
 - **Channel and Frequency** - e.g.: 12B 225.648 MHz
 - **Signal error** - This is displayed as a number between 0-99. It would not be possible to satisfactorily listen to a radio station with a signal error rate of 30 or above. Try adjusting the aerial or relocating your radio to improve reception.
 - **Signal information** - The data rate at which the signal is being transmitted.
 - **Time and date** - supplied by the broadcaster.
1. Repeatedly short press the Menu/Info button to cycle through the different information options.

Dynamic range control (DRC)

In DAB mode:

The dynamic range for each radio programme is set by the broadcaster for each radio station and may be different for the types of programme broadcast, such as pop or classical music or a chat show. The dynamic range control signal is transmitted in parallel with the audio signal for each programme and with your radio you can use this control signal to expand or compress the dynamic range (the difference between the loudest and quietest sounds) of the reproduced audio signal. Changing the dynamic range can affect the 'loudness' and/or 'quality of sound' of the programme that you hear so that it will be more suited to your listening conditions and your own personal listening requirements. e.g. in a noisy environment, where quiet sounds might be swamped, setting the compression to maximum will 'boost' the quiet sounds, whilst keeping the loudest sounds at their original level.

section of these instructions, or online at www.bush-support.com If you still require further assistance, call one of our experts on 0345 600 3021.

Using your Stereo DAB/FM Radio

Let's get started

There are 3 levels of compression:

- **DRC off** - no compression. This is the default setting.
 - **DRC low** - medium compression.
 - **DRC high** - maximum compression.
1. Long press the Menu button to enter the menu options.
 2. Use the Tune/Select control to scroll to <DRC>. Press to Select.

Note: The current DRC setting will have an '*' in the display.

3. Use the Tune/Select control to scroll through the options and press to Select.

FM Radio mode

- If you are not already in FM mode, Short press the Mode button to go to FM mode (check the display).
- If you were listening to an FM station when you switched the Radio off then this station will be automatically selected when you switch the Radio back on.

Telescopic aerial

Please make sure that the aerial is fully extended before you attempt to tune to a FM station (a vertical position is recommended). This will ensure that the maximum signal strength is available when the radio begins to scan. Extending the aerial also ensures the best possible sound quality.

Tuning to an FM station

- Turn the Tune/Select control to scroll through the FM frequency band. Alternatively, you can:
- Short press the Scan button to scan up the frequency band.
- Long press the Scan button to scan down the frequency band.

If you require any technical guidance or find that your product is not operating as intended, a simple solution can often be found in the **Troubleshooting**

Using your Stereo DAB/FM Radio

Let's get started

Note: If reception is still poor try adjusting the aerial or moving the radio to another location.

Changing the Scan setting

In FM mode:

1. Long press the Menu button, <Scan setting> will be displayed. Short press the Tune/Select control.

The current Scan setting will have an '*' in the display.

There are two different options to choose from:

- **Strong stations:** The scan will only stop when a strong signal strength is received which should also result in a better audio quality. It is possible that the station you are scanning for may be missed using this option.
 - **All stations:** The scan will stop for every station it receives, even if the signal strength is poor.
2. Use the Tune/Select control to choose from the two options available and press to Select.

Audio mode

The radio will automatically switch between Stereo and Mono, depending on the quality of the signal being received but you can override this function and manually switch between Stereo and Mono.

1. Long press the Menu button to enter the menu options.
2. Use the Tune/Select control to scroll to <Audio setting>. Press to Select.
3. There are now two different options of <Forced mono> and <Stereo allowed> and the current setting will have an '*' in the display.
4. Use the Tune/Select control to choose from the two options available and press to Select.

section of these instructions, or online at www.bush-support.com If you still require further assistance, call one of our experts on 0345 600 3021.

Using your Stereo DAB/FM Radio

Let's get started

Storing an FM station preset

Your radio can store up to 10 FM stations in its preset memories for instant access to your favourite stations.

Note: When you store FM radio station presets, these do not overwrite your DAB station presets.

1. Tune the Radio to the FM radio station that you wish to preset.
2. Long press the Preset button for approximately 2 seconds until Preset Store <1:(Empty)> is displayed.
3. Use the Tune/Select control to move to the preset location that you would like to store the radio station to (1-10).

Note: When you store a radio station to Preset location 1, 2 or 3, this will also be saved under the number '1', '2' and '3' buttons on the front of your radio.

4. Press the Tune/Select control to Select, the display will confirm Preset X stored, where 'X' is the number of the preset (1-10).

Note: If there is already an existing FM station stored under a preset, it will be overwritten when you store the new station.

Tune to an FM preset station

In FM mode:

Note: To quickly access the radio stations stored under Preset locations 1, 2 or 3, you can just short press the '1', '2' or '3' button, as appropriate, on the front of your radio.

1. Short press the Preset button. Preset Recall <1:> is displayed together with the name or frequency of the station stored there, or (Empty) if no previous station has been stored.
2. Use the Tune/Select control to move to the Preset location and station that you would like to listen to (1-10).

If you require any technical guidance or find that your product is not operating as intended, a simple solution can often be found in the **Troubleshooting**

Using your Stereo DAB/FM Radio

Let's get started

3. Press the Tune/Select control to Select. The radio will instantly tune to that station and begin to play.

Note: If no FM station has been stored under the preset button, 'Preset Empty' will be displayed, then the radio will revert to the previously selected radio station.

FM display information

When listening to an FM station you can change the information that will appear on the second line of the display.

- **Radiotext (RT)** - This is scrolling text information supplied by the broadcaster. Information could be the name of an artist or music title, DJ's name, contact details for the radio station etc.
 - **Program Type (PTY)** - Such as 'Rock', 'Pop', 'Talk' or 'News'
 - **Station name or frequency** - Such as BBC R4 or 93.30MHz
 - **Audio mode – Stereo or Mono**
 - **Time and date** - Supplied by the broadcaster.
1. Repeatedly Short press the Menu/Info button to cycle through the different information options.

Bluetooth mode

Check that your radio is in Bluetooth mode. If you are not already in Bluetooth mode, short press the Mode button until you are in Bluetooth mode (check the display). Your radio will begin to search for Bluetooth devices.

In Bluetooth Mode:

1. Your radio will search for Bluetooth devices..
2. On the device that you would like to connect to your radio (e.g. iPhone/iPad/Android/ other phone/Tablet/Computer), turn on Bluetooth connectivity and ensure that it is 'discoverable'.

section of these instructions, or online at www.bush-support.com If you still require further assistance, call one of our experts on 0345 600 3021.

Using your Stereo DAB/FM Radio

Let's get started

Note: If necessary, refer to the instructions for your device to add or set up Bluetooth.

3. Select to 'Add new device', if necessary.
-

Note: Some products will automatically search for a new device and so the 'Add new device' option is not available.

4. When found, your radio will be displayed as 'BUSH BD-1807'. Select the device name to begin pairing.
 5. When pairing is complete 'Connected' will be displayed and there will also be an audio confirmation.
 6. Now that you have paired your device with the radio, it will connect to it when it is within range, which is about 10 metres or less (33 feet or less), line of sight.
 7. Your device will remain paired with the radio unless you decide to disconnect or 'unpair' it.
-

Note: You can long press the Scan button for 3 seconds to unpair your current device and search for new devices.

Listening to Music/Audio using Bluetooth

In Bluetooth mode:

1. Select and start the music or audio that you wish to listen to on your paired Bluetooth device, it will now be heard through the radio speakers. Adjust the volume on the connected device and/or your radio.
2. You can use the controls on your paired Bluetooth device as well as those on your radio.

Controls available on your radio:

- **Play/Pause** - Short press the Scan button to play/pause.
- **Skip back:** - Turn the Tune/Select control anti-clockwise to skip back to the previous track.

If you require any technical guidance or find that your product is not operating as intended, a simple solution can often be found in the **Troubleshooting**

Using your Stereo DAB/FM Radio

Let's get started

- **Skip forward:** - Tune the Tune/Select control clockwise to skip forward to the next track.

Note: If you do not use your radio for approximately 30 minutes and no audio signal is received, it will automatically go to Standby mode, or Power off when using batteries.

Setting the alarm

Note: Check that the radio has the correct time and date before you set an alarm.

1. Long press the Alarm button.
2. Alarm 1 Setup is displayed (use the Tune/Select control to move to Alarm 2, if required). Short press the Tune/Select control.
3. Alarm 1 Wizard On time is displayed and the hour digits for the alarm will flash.
4. Use the Tune/Select control to scroll to the hour for the alarm and press to Select.
5. The minutes will now flash. Use the Tune/Select control to scroll to the minutes for the alarm and press to Select. The duration time will now flash.
6. Use the Tune/Select control to scroll to the duration for the alarm and press to Select. You can choose from 15, 30, 45, 60, 90 and 120 minutes. Press the Tune/Select control to Select. The source for the alarm will now flash.
7. Use the Tune/Select control to scroll to the sound source for the alarm. You can choose from Buzzer, DAB or FM. Press to Select.

Note: If you select DAB or FM radio for the alarm source, 'Last listened' will flash in the display. Short press the Tune/Select control and the last listened to radio station in DAB or FM, as appropriate, will be used for your alarm.

8. Use the Tune/Select control to scroll to the frequency for the alarm. You can choose from Daily, Once, Weekends or Weekdays. Press to Select.

Note: If you select 'Once', you will then be prompted to set the date for your alarm.

section of these instructions, or online at www.bush-support.com If you still require further assistance, call one of our experts on 0345 600 3021.

Using your Stereo DAB/FM Radio

Let's get started

9. Use the Tune/Select control to choose Alarm On or Off and press to Select. Alarm Saved is displayed.
10. A bell icon will appear in the standby radio display, together with a '1' or '2' as appropriate, to confirm that an alarm has been set.

Note: If the time is not set or has failed to update from the radio signal, Time is not set will be displayed when you try to set the alarm. The radio will then prompt you to set the time. An alarm can only be set after the time has been set.

Stop the Alarm

When the alarm sounds, short press any button except Snooze to turn off the Alarm, Alarm off will be displayed. Alternatively, you can short press the Snooze button (see Snooze function below).

Note: When you press a button to stop the alarm, the alarm symbol will remain in the display and the alarm will sound again at the same time the next day, unless it was set for 'Once' only.

Snooze

When the alarm sounds you can Short press the Snooze button. Snooze will be displayed, followed by the snooze time countdown from 10 minutes, until the alarm sounds again.

Turn off the Alarm

Follow the steps for 'Setting an Alarm' and select 'Off' in step 9. Alternatively you can short press the Alarm button to turn each Alarm on or off, followed by a short press of the Tune/Select control to confirm.

Sleep timer

You can set your radio to switch to Standby mode automatically using the sleep timer. You can choose from Sleep off, 15, 30, 45, 60 and 90 minutes.

If you require any technical guidance or find that your product is not operating as intended, a simple solution can often be found in the **Troubleshooting**

Using your Stereo DAB/FM Radio

Let's get started

With your radio switched on (not in Standby mode):

1. Long press the Menu button to enter the menu options.
2. Use the Tune/Select control to scroll to <System>. Press to Select.
3. Use the Tune/Select control to scroll to <Sleep>. Press to Select.
4. Use the Tune/Select control to scroll through the available options. Stop when the sleep time you would like is displayed and press to Select. <Sleep> will be displayed.
5. In the top right of the radio display the number of minutes until your radio will switch to Standby mode automatically will be displayed e.g. S90.

Cancel the Sleep timer

With your radio switched on (not in Standby mode):

Follow the steps for 'Sleep timer' and select 'Sleep off' in step 4.

Display backlight timeout

You can adjust the display backlight timeout. Options of permanently On, 10, 20, 30, 45, 60, 90, 120, and 180 seconds are available. The current setting will have an '*' in the display.

With your radio switched on (not in Standby mode):

1. Long press the Menu button to enter the menu options.
2. Use the Tune/Select control to scroll to <System>. Press to Select.
3. Use the Tune/Select control to scroll to <Backlight>. Press to Select.
4. <Timeout> is displayed. Press the Tune/Select control. Use the Tune/Select control to scroll through the available backlight timeout options of On, 10, 20, 30, 45, 60, 90, 120 or 180 seconds. Stop when the backlight timeout you would like is displayed and press to Select. <Timeout> will be displayed.

You can now use the Tune/Select control to scroll and Select, as you did to set the Backlight timeout, to change the settings for the backlight brightness for the <Dim level> and <On level>. There are 3 options available, High, Medium and Low.

section of these instructions, or online at www.bush-support.com If you still require further assistance, call one of our experts on 0345 600 3021.

Using your Stereo DAB/FM Radio

Let's get started

Display language

You can change the display language of your radio, there are 4 options available; English, French, German and Italian. An '*' will be displayed next to the current setting.

With your radio switched on (not in Standby mode):

1. Long press the Menu button to enter the menu options
2. Use the Tune/Select control to scroll to <System>. Press to Select.
3. Use the Tune/Select control to scroll to <Language>. Press to Select.
4. Use the Tune/Select control to scroll to the language you would like. Press to Select.

If you require any technical guidance or find that your product is not operating as intended, a simple solution can often be found in the **Troubleshooting**

This page is left intentionally blank

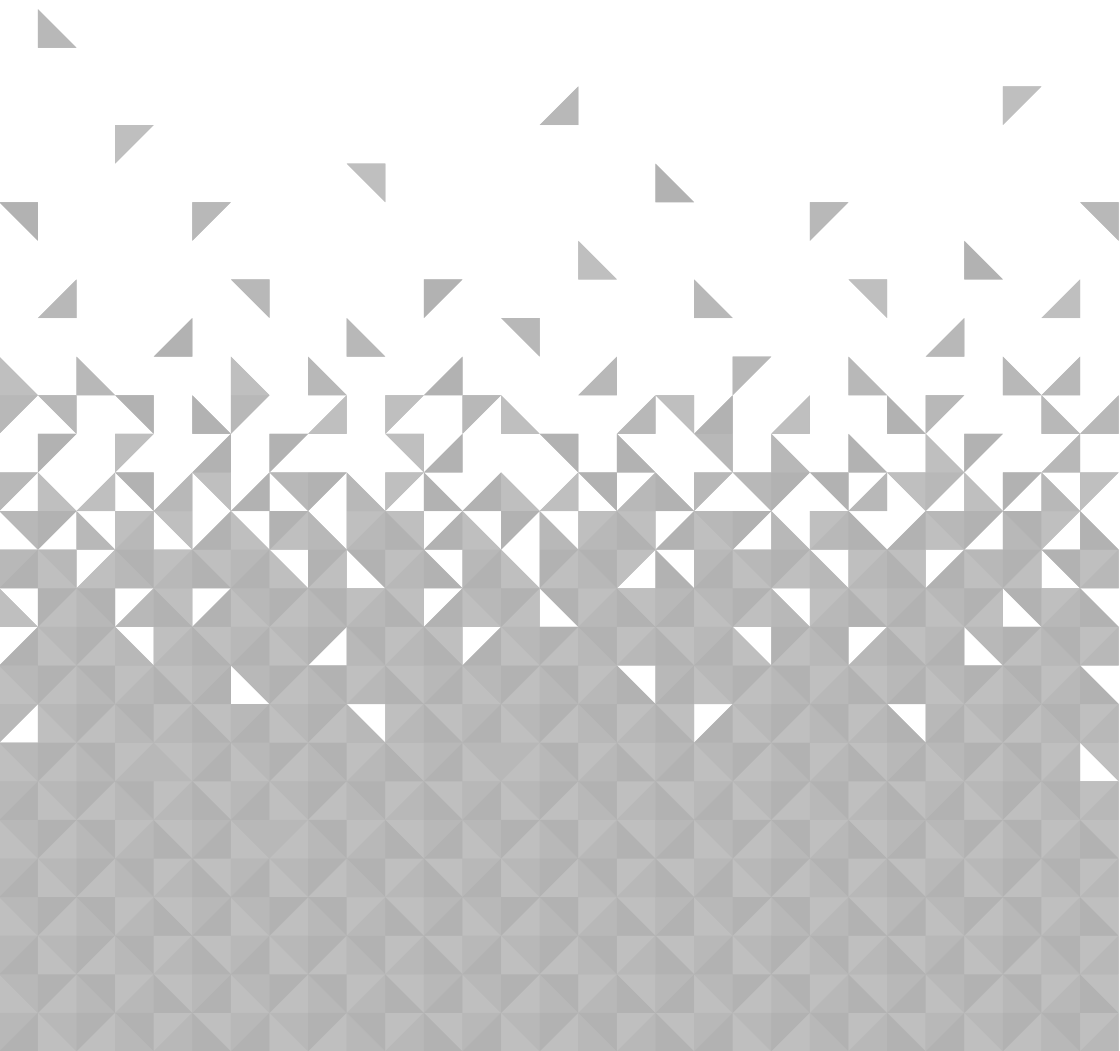
section of these instructions, or online at www.bush-support.com If you still require further assistance, call one of our experts on 0345 600 3021.

BUSH

This page is left intentionally blank

Other information

4



Other information

Helpful technical information

Software version

You can check the software version of your radio.

With your radio switched on (not in Standby mode):

1. Long press the Menu button to enter the menu options
2. Use the Tune/Select control to scroll to <System>. Press to Select.
3. Use the Tune/Select control to scroll to <SW Version>. Press to Select. The software version will be displayed.

Factory reset

You can reset your radio and restore all of the original factory settings.

Note: If you reset your radio all of your stored station presets will be deleted and any connected Bluetooth device will be unpaired.

With your radio switched on (not in Standby mode):

1. Long press the Menu button to enter the menu options
2. Use the Tune/Select control to scroll to <System>. Press to Select.
3. Use the Tune/Select control to scroll to <Factory reset>. Press to Select. Factory Reset? Yes <No> will be displayed.
4. Use the Tune/Select control to scroll to <Yes>. Press to Select.
5. Restarting... will be displayed. After a few seconds the display will change to Welcome to Digital Radio and will then go to Standby mode. When you next power on your radio from Standby mode, it will begin an automatic scan for DAB stations. A progress bar will show the progress of the scan and the number of stations found during the scan will also be displayed. When the scan is complete your radio will select the first available station and begin to play. Stations are listed in numerical and then alphabetical order by default.

If you require any technical guidance or find that your product is not operating as intended, a simple solution can often be found in the **Troubleshooting**

Other information

Helpful technical information

Technical specification

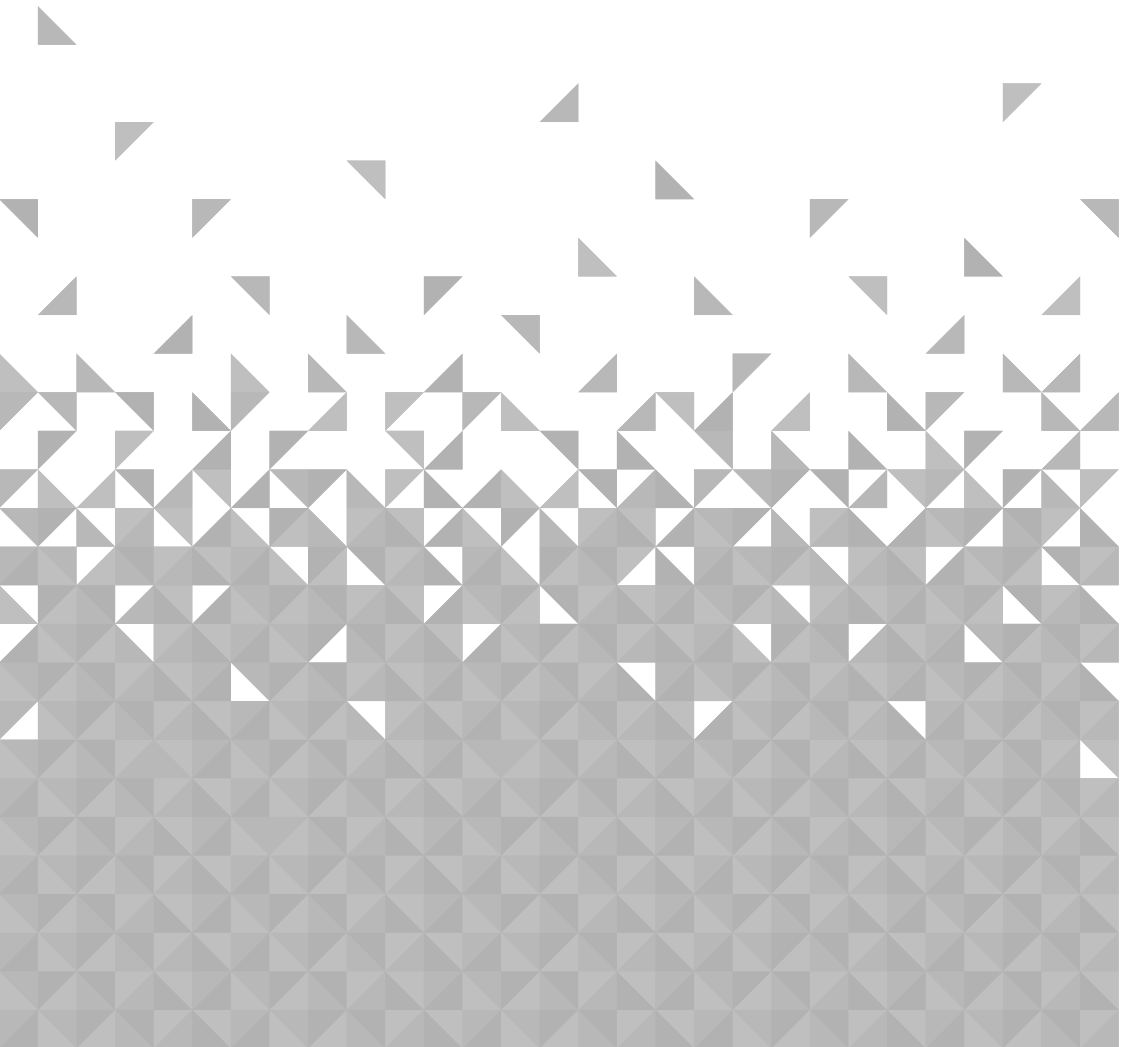
| | |
|------------------|--|
| Power adaptor: | Output DC 6V 1A Input AC 100-240V, 50/60Hz |
| Batteries: | 4 x 1.5V C size (LR14) (Optional, not supplied) |
| Audio output: | 2 x 1.5W RMS |
| Frequency range: | |
| DAB: | Band III, 174 MHz to 240 MHz |
| FM: | 87.5 MHz to 108 MHz |
| Bluetooth: | 2.4GHz-2.480GHz |
| Pairing name: | BUSH BD-1807 |
| Profiles | HFPV1.5, A2DPV1.2, AVRCPV1.4, GAVDP1.2 |

section of these instructions, or online at www.bush-support.com If you still require further assistance, call one of our experts on 0345 600 3021.

This page is left intentionally blank

Product support

5



Product support

Help is always at hand

Troubleshooting

No sound / power:

- Adjust the volume.
- Check that the mains power wall socket is switched on, that the power switch on the back of the radio is set to on and that your radio is not in Standby mode.
- If you have batteries fitted, they may be exhausted and need to be replaced. Please use only good quality C size batteries.

Radio reception is poor:

- Make sure that you have fully extended the telescopic aerial.
- Rescan for radio stations, see pages 22 and 26.
- Try moving your radio to another location to see if reception improves.
- Check that you do not have other electrical equipment too close to your Radio, causing interference.
- Visit www.digitalradionow.com for information about DAB reception in your area.

Unable to pair with a Bluetooth device:

- Check that you are in Bluetooth mode.
- Ensure that you are within range of the radio for Bluetooth functionality, 10 metres or less (33 feet or less).
- Move the radio and Bluetooth device away from other Bluetooth devices/electrical equipment.
- If possible, turn off other nearby Bluetooth devices or disable their Bluetooth functionality.

The function buttons do not respond:

- Check that you are not in Standby mode. Short press the Power button.
- If you are using batteries, they may be exhausted and need to be replaced.
- Try a reset to factory defaults. See page 38.

Note: All of your settings, including the radio station list, connected Bluetooth devices and any presets will be deleted when you reset the Radio.

If you require any technical guidance or find that your product is not operating as intended, a simple solution can often be found in the **Troubleshooting**

Product support

Help is always at hand

Help and assistance

If you require any technical guidance or find that your Stereo DAB/FM Radio with Bluetooth is not operating as intended, a simple solution can often be found in the **Troubleshooting** section of these instructions or online at www.bush-support.com

If you still require further assistance, call one of our experts on **0345 600 3021***. To help give us give you a fast and efficient service please have the following information ready:

| | | |
|------------------|----------------------|--|
| Model Ref. | <input type="text"/> | You can find these on the rating plate - a small information panel (usually a sticker or metal plate) on the rear or base of your product. |
| Serial number | <input type="text"/> | |
| Date of purchase | <input type="text"/> | This will be shown on your receipt |

Local call rates applies*

Lines open 8am-7pm Monday to Saturday and 10am-4pm Sunday.

*Calls to Bush enquiry lines may attract a charge and set up fee from residential lines depending on your call plan/tariff. Mobile and other providers costs may vary, see www.bt.com/pricing for details.

For security and training purposes, telephone calls to and from customer service centres may be recorded and monitored. Calls from Republic of Ireland will attract international call charges.

section of these instructions, or online at www.bush-support.com If you still require further assistance, call one of our experts on 0345 600 3021.

Product support

Help is always at hand

Disposal



- This product should not be treated as normal household waste and it should be recycled. Please take it to your nearest collection facility or for further details contact your local council or visit www.recycle-more.co.uk
- Batteries contain substances that may be harmful to the environment and human health. Keep out of the reach of children and seek immediate medical help if swallowed.
- Batteries should not be disposed of in the normal household waste but taken to appropriate local recycling facilities, where and when these are available.
- Never throw batteries in a fire or attempt to open the outer casing.



This product is intended for use within the UK. This equipment complies with the essential requirements of the Radio Equipment Directive 2014/53/EU.

Declaration of Conformance

Hereby, Argos Ltd, declares that this Stereo DAB/FM Radio with Bluetooth-BD-1807 is in compliance with the essential requirements and other relevant provisions of the Radio Equipment Directive 2014/53/EU. The complete declaration of conformity can be obtained by contacting <http://www.bush-support.com/>

If you require any technical guidance or find that your product is not operating as intended, a simple solution can often be found in the **Troubleshooting**

Product support

Help is always at hand

BUSH

Call us now and register your 12 month guarantee

Thank you for choosing Bush. Your new product is guaranteed against faults and breakdowns for 12 months. Don't forget to register it with us today so we can provide you with our best possible after-sales service and useful updates.

www.bushregistration.co.uk

FREEPHONE*

0800 597 8548

Lines are open 8am - 8pm, 365 days a year. *Calls may be recorded and monitored.

Your Bush Guarantee

This product is guaranteed for twelve months from the date of original purchase. Any defect that arises due to faulty materials or workmanship will be repaired free of charge (or if applicable the product will be replaced or the purchase price refunded) where possible during this period by the dealer from who you purchased the unit.

The guarantee is subject to the following provisions:

- The guarantee does not cover accidental damage, misuse, cabinet parts, knobs or consumable items.
- The product must be correctly installed and operated in accordance with the instructions contained in the manual.
- It must be used solely for domestic purposes. The guarantee will be rendered invalid if the product is re-sold or has been damaged by inexpert repair.
- Specifications are subject to change without notice.
- Bush disclaim any liability for loss or damage arising from the breakdown of the product.
- This guarantee is in addition to and does not diminish your statutory or legal rights.

Important Data Protection Information

If you provide us with information about another person, you confirm that they have appointed you to act for them, to consent to the processing of their personal data including sensitive personal data and that you have informed them of our identity and the purposes (as set out in the Important Data Privacy notice displayed overleaf) for which their personal data will be processed.

You are entitled to ask for a copy of the information we hold about you (for which we may charge a small fee) and to have any inaccuracies in your information corrected.

For quality control and training purposes, we may monitor or record your communications with us.

If your personal details change, if you change your mind about any of your marketing preferences or if you have any queries about how we use your information, please let us know by contacting our Data Protection Officer, Domestic & General, Leicester House 17 Leicester Street, Bedworth, Warwickshire CV12 8JP.

Guarantor: Argos Limited - 489 - 499 Avebury Blvd. - Milton Keynes - MK9 2NW

section of these instructions, or online at www.bush-support.com If you still require further assistance, call one of our experts on 0345 600 3021.

This page is left intentionally blank

This page is left intentionally blank

BUSH

Contact:

www.bush-support.com

Helpline: 0345 600 3021

 DAB Digital
Radio