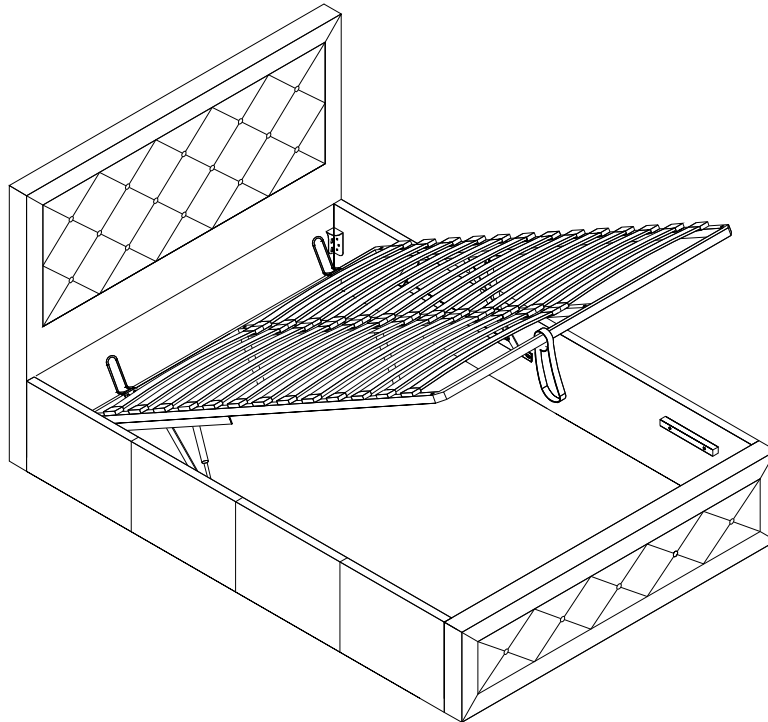


# HOLLYWOOD END LIFT OTTOMAN BED ASSEMBLY INSTRUCTION

Thank you for purchasing the HOLLYWOOD END LIFT OTTOMAN BED. Please read the instructions carefully to ensure safe operation of the product.



**SIZE: 4FT6 2065mm X 1490mm X 1090mm**

---

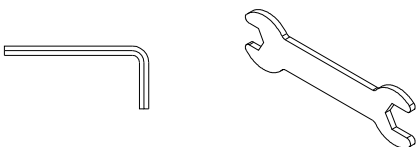
**PLEASE READ** this sheet prior to assembly to familiarise yourself with the various stages of construction.

Carefully open the pack supplied and check the contents against the parts and fittings check list. Do not destroy any of the packaging until you are certain that you have all the necessary parts for the assembly.

**CAUTION:** There are small components used in the construction of this unit. These loose items should be kept away from young children whilst assembling your unit to avoid the danger of choking hazards.

---

## Tools Required



# HOLLYWOOD END LIFT OTTOMAN BED ASSEMBLY INSTRUCTION

## IMPORTANT - READ CAREFULLY - RETAIN THESE INSTRUCTIONS FOR FUTURE REFERENCE.

### INFORMATION

- This product is intended for a maximum person's weight of 130kg per side. Do not exceed this weight.
- Due to the size of this product we recommend that it is assembled in the room intended for use.
- When you are ready to start, make sure that you have the right tools, plenty of space and a clean, dry area for assembly.
- Unwrap all packaging materials and place the components on top of the carton box or on a clean floor to prevent it from scratching.
- Check the pack and make sure you have all the parts listed.
- Ensure that this product is fully assembled and secured as illustrated before use.
- Check all screws or bolts are tightened and inspect regularly.
- This product should only be used on firm, level ground.
- Please dismantle for transportation.
- Tools are included.

### WARNINGS

- Only use the storage compartment when the frame is fully raised in the up position.
- DO make sure the legs remain in contact with the ground.
- DO keep small parts out of reach of children.
- DO use caution when operating, this bed uses a pressured mechanism.
- DO keep hands and fingers clear of the mechanism when opening and closing the bed for use.
- DO NOT use power tools to construct this product.
- DO NOT tighten screws until fully assembled.
- DO NOT over tighten screws or bolts.
- DO NOT use this product if parts are missing, damaged or worn.
- DO NOT stand on the product.
- DO NOT remain on the bed whilst the lifting mechanism is in use.
- DO NOT expose this product to dripping or splashing, rain or areas with heavy moisture.
- DO NOT place any objects filled with liquids, such as vases, on the product.
- DO NOT insert foreign objects into the product or attempt to repair this unit by yourself.
- DO NOT place the product in direct sunlight, open flames such as candles or heat, such as radiators. Keep away from temperatures over 35°C.

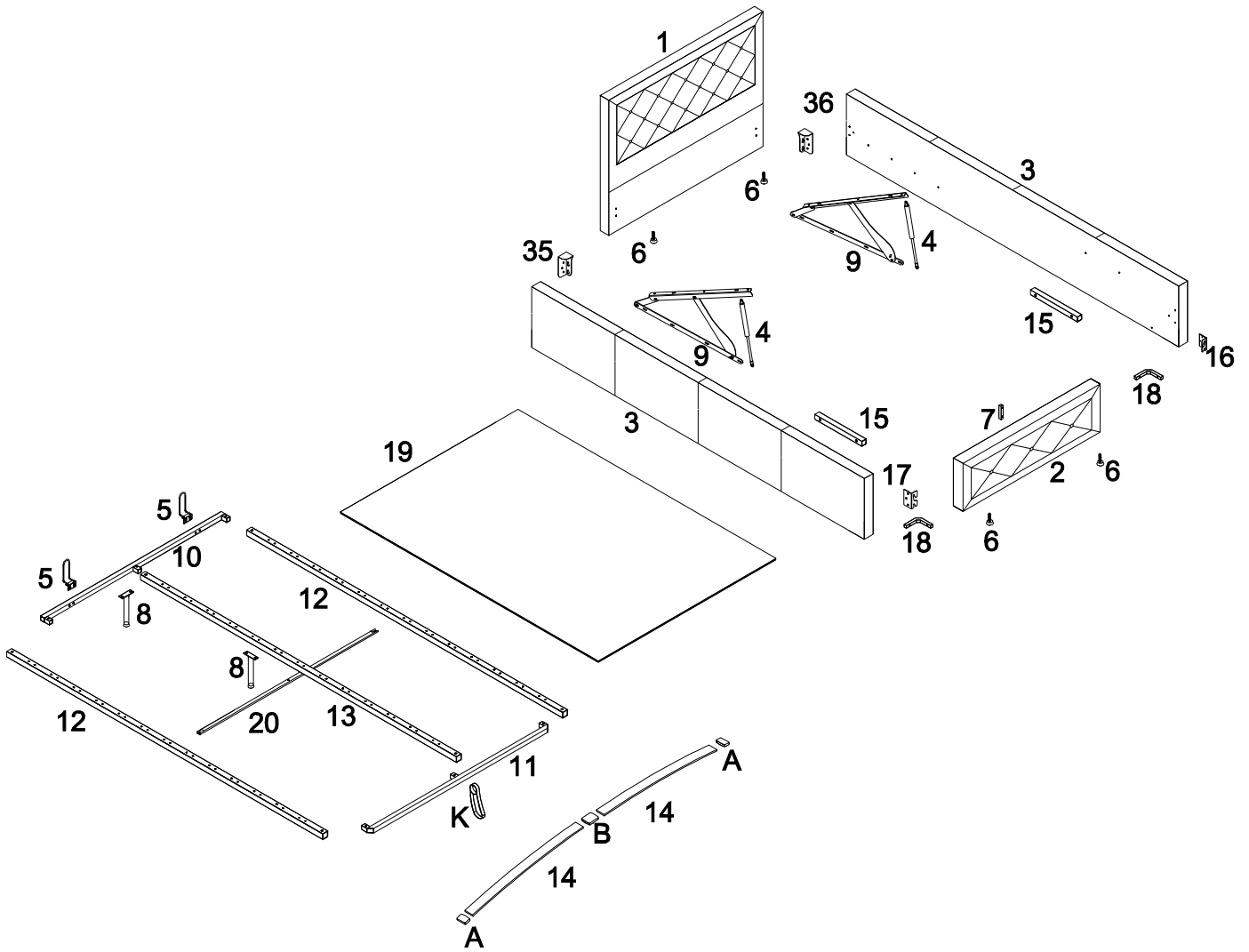
### CARE INFORMATION

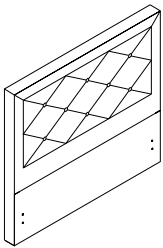
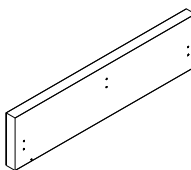
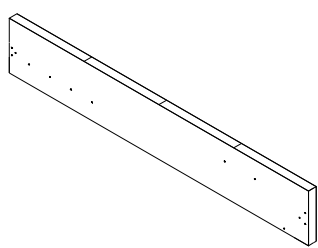
- Never use scourers, abrasives or chemical cleaners.
- To clean wipe with a sponge and warm soapy water. Do not use solvent based cleaners or detergents as they can bleach or damage the product.

# HOLLYWOOD END LIFT OTTOMAN BED ASSEMBLY INSTRUCTION

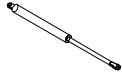
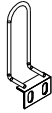

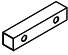

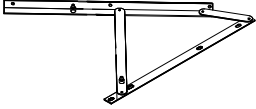
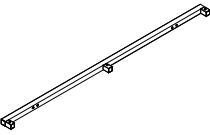
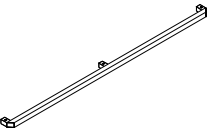
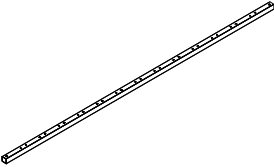
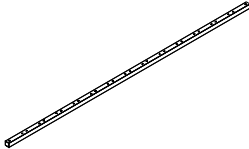
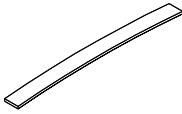
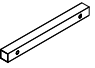



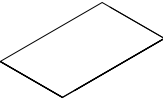
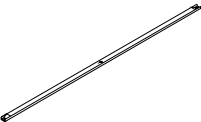
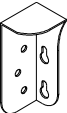
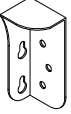
## Parts

Please check the pack contents before assembling this product. If any components are missing, please contact your retailer. The fittings pack contains small items that should be kept away from small children.



<p>1</p> 	<p>2</p> 	<p>3</p> 
<p>Description: HEADBOARD Qty: 1 PC Carton NO: 1</p>	<p>Description: FOOTBOARD Qty: 1 PC Carton NO: 2</p>	<p>Description: SIDE RAIL LEFT &amp; RIGHT PANEL Qty: 2 PCS Carton NO: 2</p>

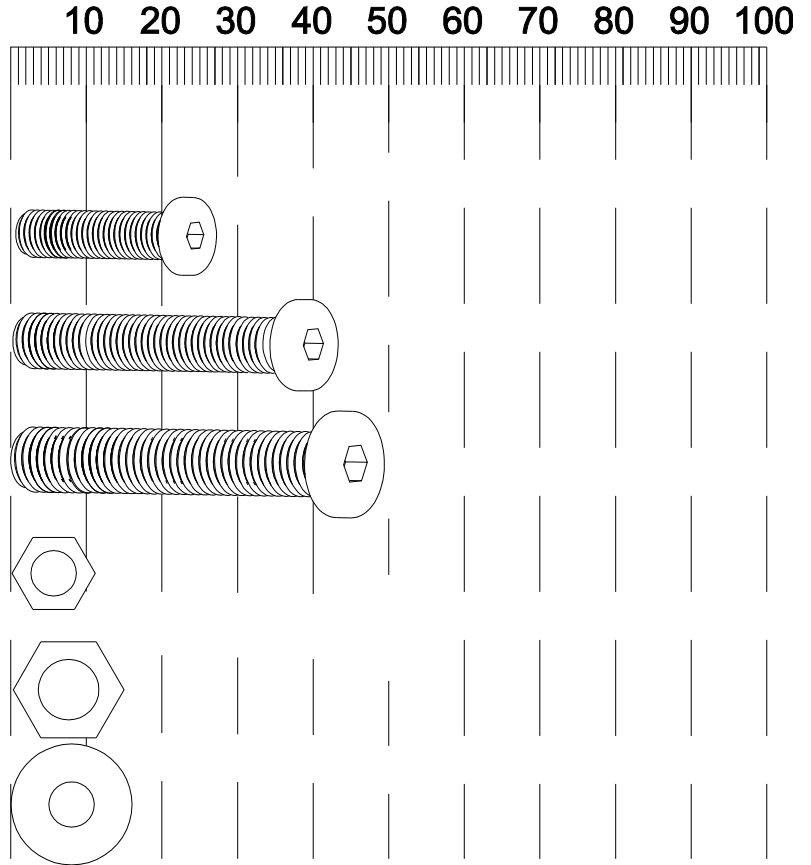
# HOLLYWOOD END LIFT OTTOMAN BED ASSEMBLY INSTRUCTION

<p>4</p> 	<p>5</p> 	<p>6</p> 
<p>Description:PISTON Qty:2 PCS Carton NO: 2</p>	<p>Description:MATTRESS SUPPORT Qty:2 PCS Carton NO: 2</p>	<p>Description:ADJUSTABLE LEG Qty:4 PCS Carton NO: 2</p>
<p>7</p> 	<p>8</p> 	<p>9</p> 
<p>Description:BASE SUPPORT Qty:1 PC Carton NO: 2</p>	<p>Description:LONG SUPPORT LEG Qty:2 PCS Carton NO: 2</p>	<p>Description:HINGE LEFT &amp; RIGHT Qty:2 PCS Carton NO: 1</p>
<p>10</p> 	<p>11</p> 	<p>12</p> 
<p>Description:BACK FRAME TUBE Qty:1 PC Carton NO: 1</p>	<p>Description:FRONT FRAME TUBE Qty:1 PC Carton NO: 1</p>	<p>Description:SIDE TUBE Qty:2 PCS Carton NO: 2</p>
<p>13</p> 	<p>14</p> 	<p>15</p> 
<p>Description:CENTRE RAIL Qty:1 PC Carton NO: 2</p>	<p>Description:WOODEN SLAT Qty:26 PCS Carton NO: 1</p>	<p>Description:BED FRAME SUPPORT BAR Qty:2 PCS Carton NO: 2</p>
<p>16</p> 	<p>17</p> 	<p>18</p> 
<p>Description:BRACKET L Qty:1 PC Carton NO: 2</p>	<p>Description:BRACKET R Qty:1 PC Carton NO: 2</p>	<p>Description:L CONNECTOR Qty:2 PCS Carton NO: 2</p>
<p>19</p> 	<p>20</p> 	<p>35</p> 
<p>Description:NON WOVEN BASE Qty:1 PC Carton NO: 1</p>	<p>Description:CROSS RAIL Qty:1 PC Carton NO: 1</p>	<p>Description:BRACKET L Qty:1 PC Carton NO: 2</p>
<p>36</p>  <p>Description:BRACKET R Qty:1 PC Carton NO: 2</p>		

# HOLLYWOOD END LIFT OTTOMAN BED ASSEMBLY INSTRUCTION

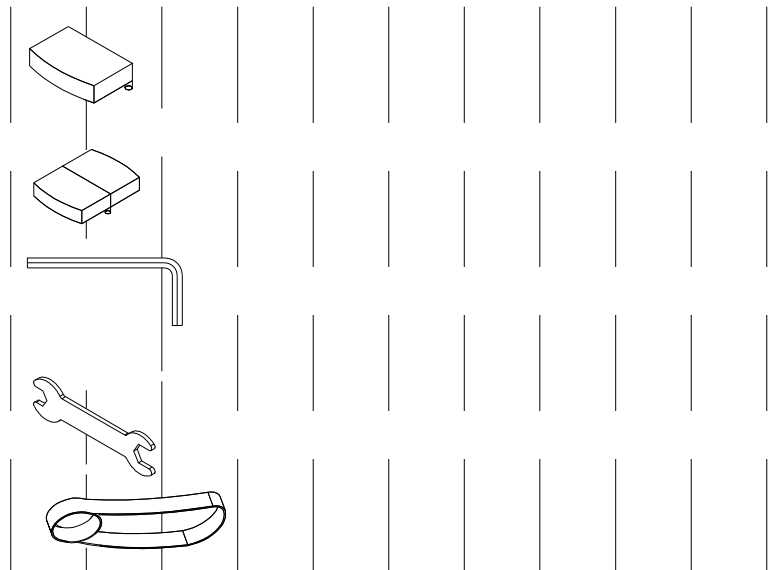
## Fixings (to scale)

Ref	Dimensions	Qty
C	Bolt-M6x20	45
D	Bolt-M6x35	14
E	Bolt-M6x40	2
F	Nut-M6	6
G	Nut-M8	4
L	Flat Washer- Φ6x16	8



## (Not to scale)

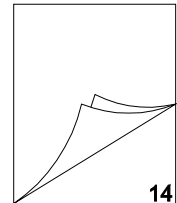
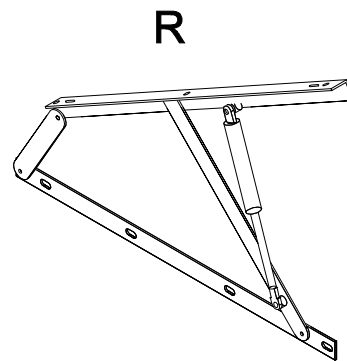
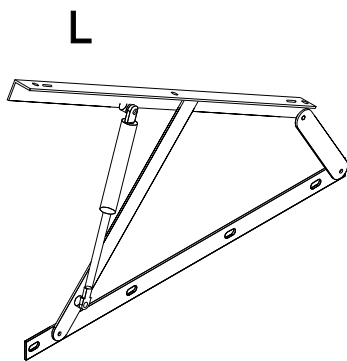
A	End Slat Cap	26
B	Centre Slat Cap	13
H	4mm Allen Key	1
J	Spanner	1
K	Base Lift Strap	1



**CAUTION:** There are many small components used in the construction of this product. Please keep these components away from young children whilst assembling this product.

**If you keep the fittings in a bowl during assembly you will be less likely to lose them**

# HOLLYWOOD END LIFT OTTOMAN BED ASSEMBLY INSTRUCTION



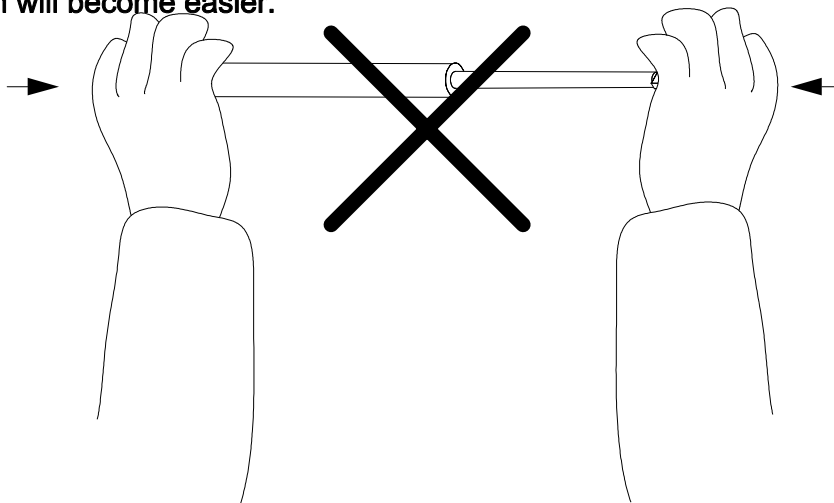
Turn to page 14 for fitting the hinges

## IMPORTANT PISTON INFORMATION

The pistons used in the construction of this product are extremely strong and cannot be operated by hand when not fitted to the ottoman hinges. All pistons are tested in the factory for correct pressure and operation before use.

**Initially it might appear that the pistons are very stiff when opening and closing the ottoman frame, THIS IS NORMAL.**

After operating the ottoman a few times, the movement of the pistons and the opening and closing of the ottoman will become easier.

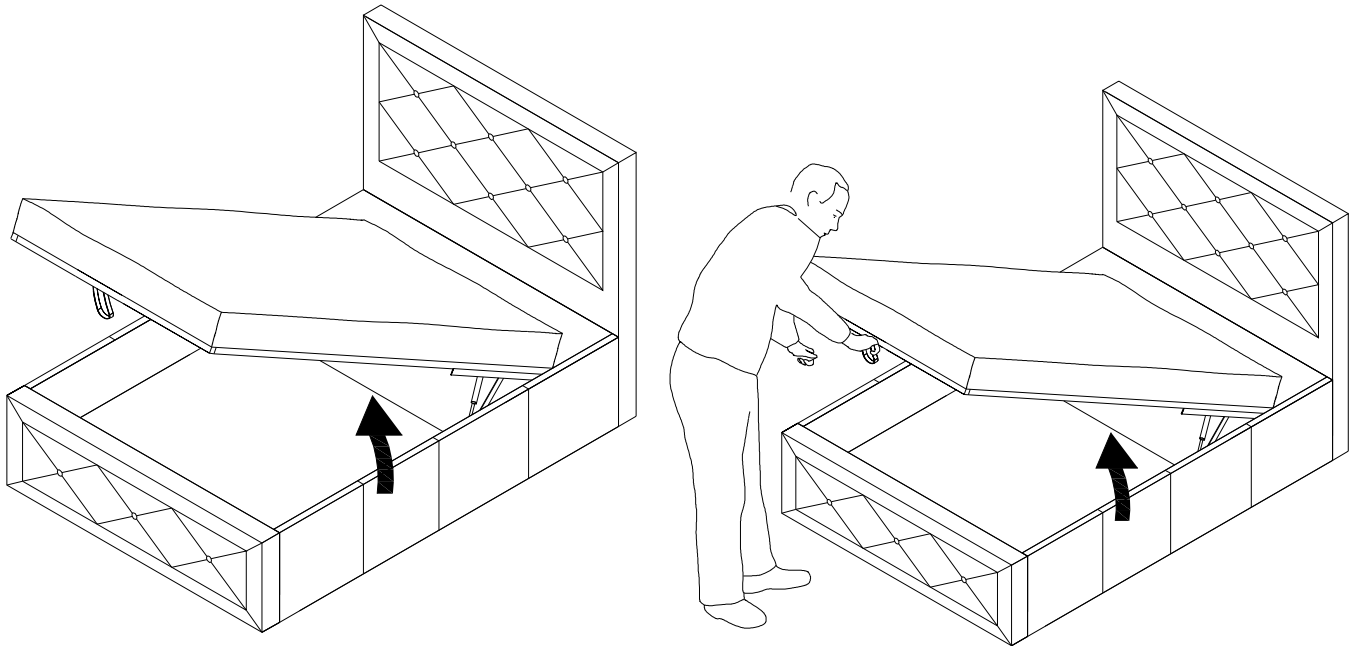


# HOLLYWOOD END LIFT OTTOMAN BED ASSEMBLY INSTRUCTION

## Hints and Tips

To close the ottoman, always use 2 hands at arm's length and only where illustrated on this product. You must ensure the mattress is on the bed frame before lifting the mechanism. **Failure to do so may result in injury.** Use the lifting strap to open the ottoman.

To ensure your safety please do not stand too close in case the frame bounces up. The weight of the mattress loaded on the frame will keep the frame in a lower position until it is pulled upwards by the user.



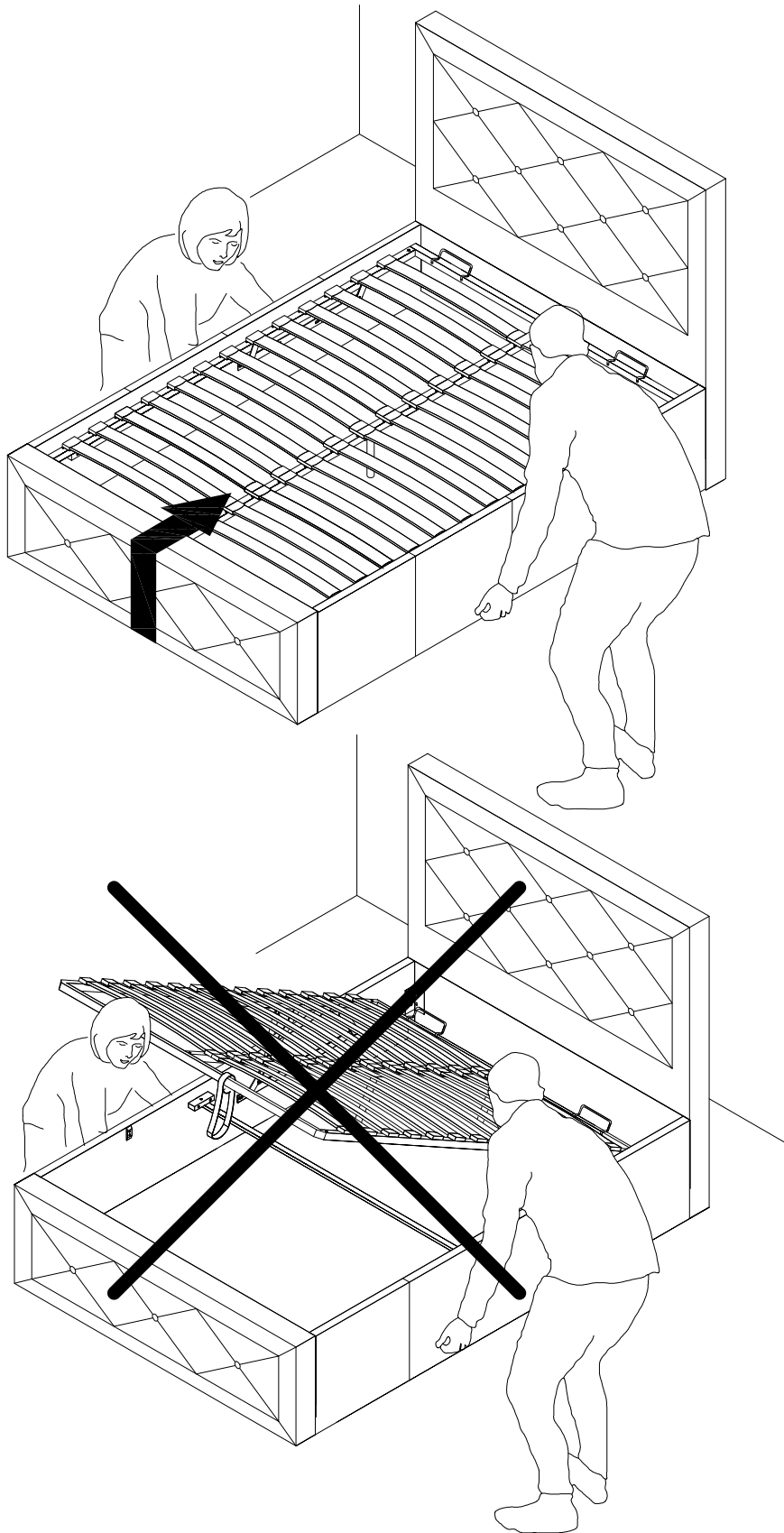
If removing the mattress, make sure the frame is secured so it does not flip open. When lifting the bed frame, remove pillows and covers.

**PLEASE NOTE** - It takes a lot of force to make the initial movement of the ottoman - **THIS IS A DESIGN FEATURE OF THE PRODUCT SO THAT IT DOES NOT FALL SHUT** - and the nearer to being closed the ottoman is, the easier it is to move. When the ottoman is almost shut, keep fingers and hands clear and it will close completely under its own weight.

When lowering the slat unit for the first time, take care to make sure it does not rub unevenly on the inside face of the Side Rail. If it does, the bed has been assembled slightly out of square. This can be rectified by moving the Footboard of the bed slightly to the left or right whilst leaving the headboard of the bed frame stationary.

# HOLLYWOOD END LIFT OTTOMAN BED ASSEMBLY INSTRUCTION

Do not attempt to move the bed whilst the frame is in the upright position.

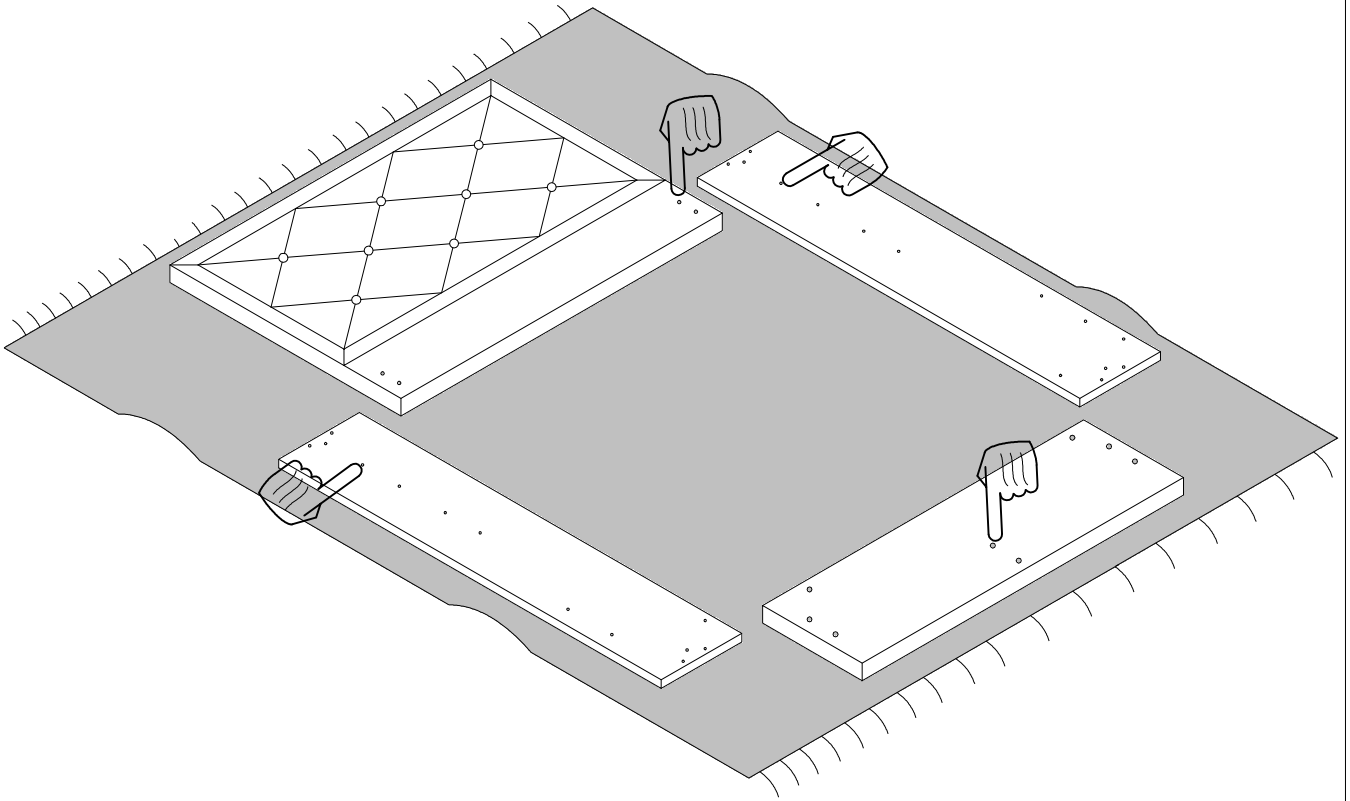




# HOLLYWOOD END LIFT OTTOMAN BED ASSEMBLY INSTRUCTION

## Layout Parts on Soft Surface

Lay out all 4 sides on a soft surface i.e. Rug, Carpet or Packaging Carton



# HOLLYWOOD END LIFT OTTOMAN BED ASSEMBLY INSTRUCTION

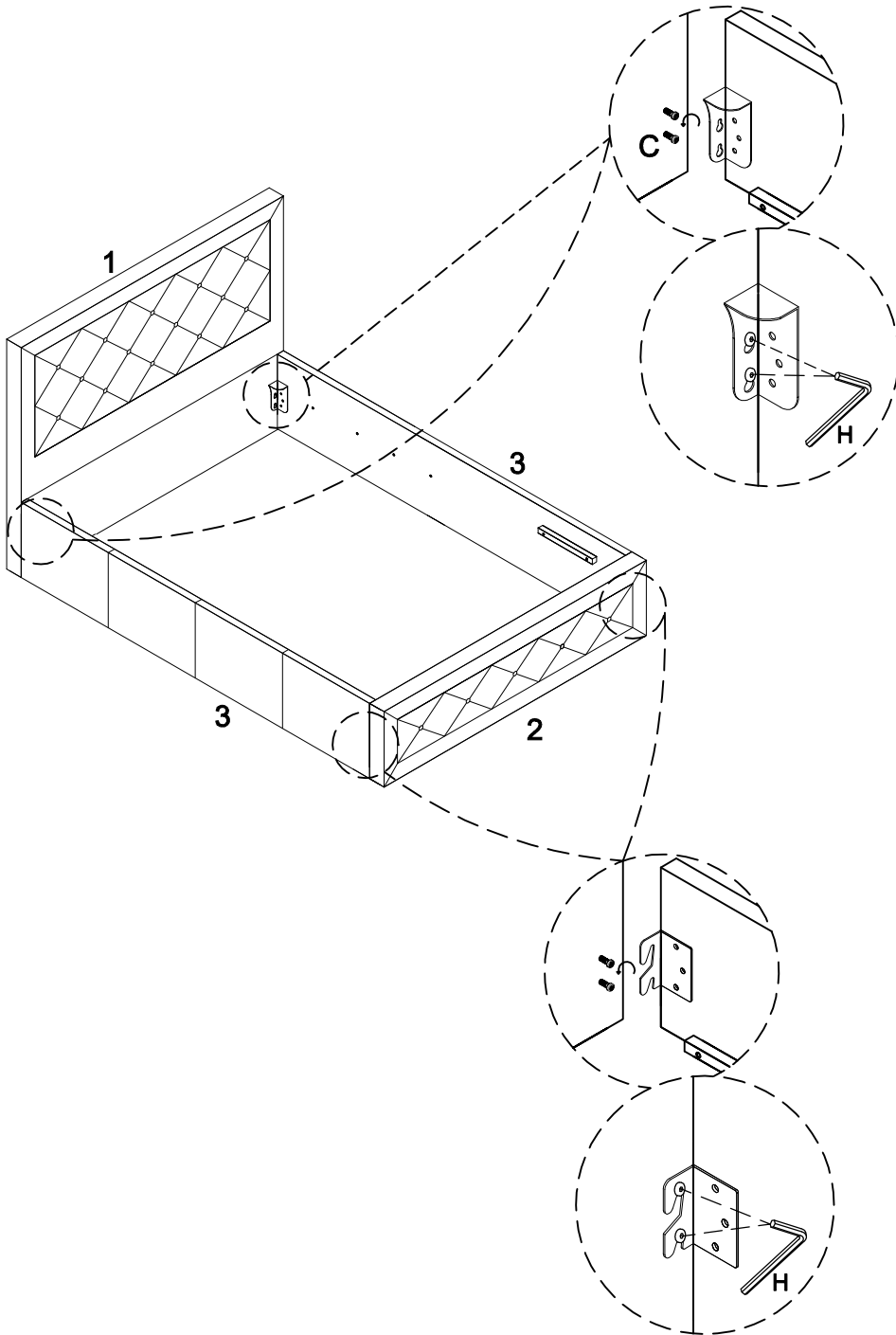
STEP 1	Parts Required
	<p>1.HEADBOARD x 1                  2.FOOTBOARD x1                  6.ADJUSTABLE LEG x4                  7.BASE SUPPORT x1</p> <p>E x 2                  H x 1</p>
STEP 2	Parts Required
	<p>3.SIDE RAIL LEFT &amp; RIGHT PANEL x 2                  15.BED FRAME SUPPORT BAR x 2                  16.BRACKET L x 1                  17.BRACKET R x 1                  35.BRACKET L x 1                  36.BRACKET R x 1</p> <p>C x 12                  D x 4                  H x 1</p>

# HOLLYWOOD END LIFT OTTOMAN BED ASSEMBLY INSTRUCTION

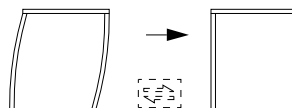
## STEP 3

### Parts Required

- 16.BRACKET L x 1
- 17.BRACKET R x 1
- 35.BRACKET L x 1
- 36.BRACKET R x 1
- C x 8
- H x 1



Make sure the bed is square.  
 Note: THEN tighten all bolts 100% using allen key



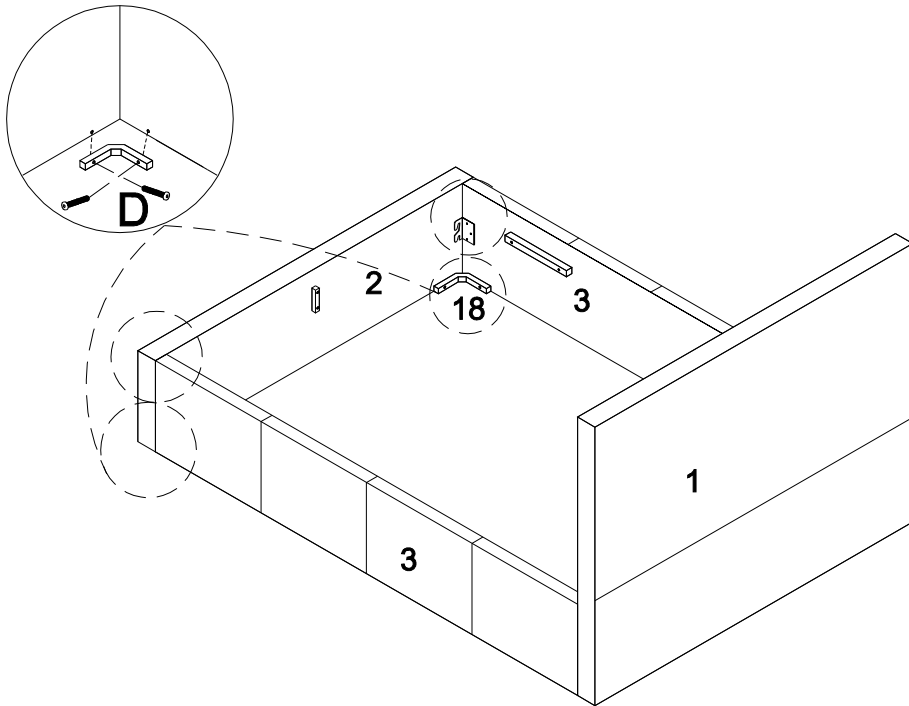
# HOLLYWOOD END LIFT OTTOMAN BED ASSEMBLY INSTRUCTION

## STEP 4

### Parts Required

18.L CONNECTOR x2

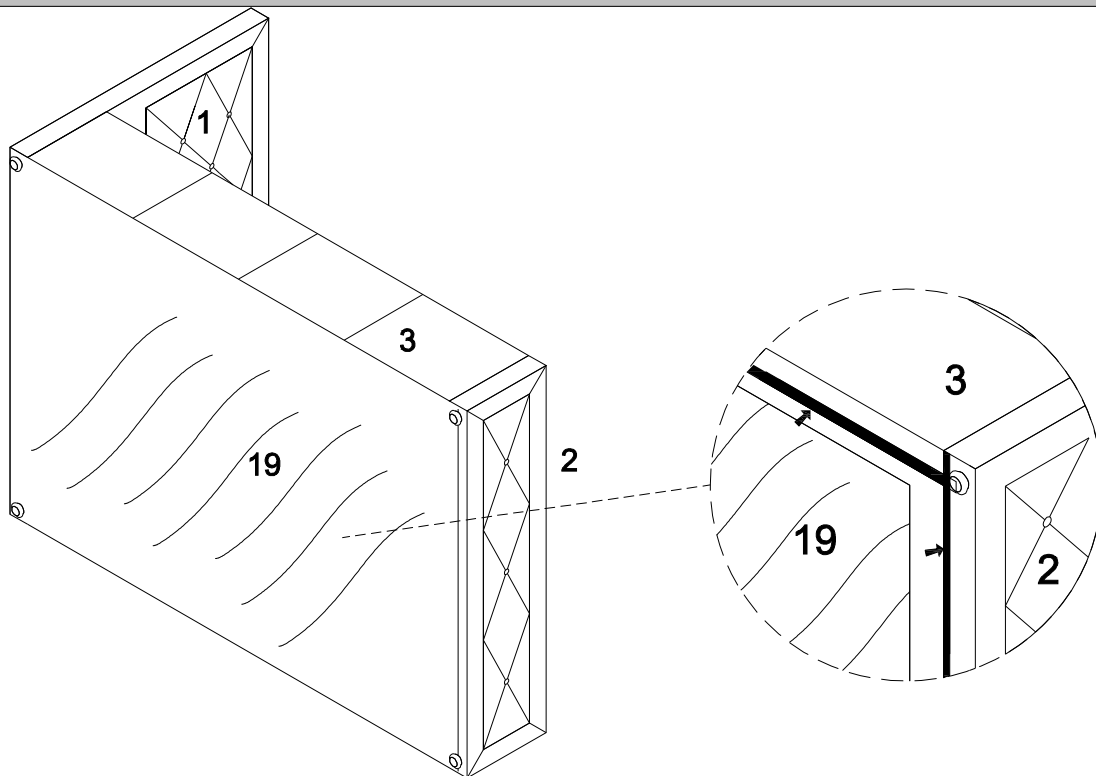
D x 4  
H x 1



## STEP 5

### Parts Required

19.NON WOVEN BASE x1

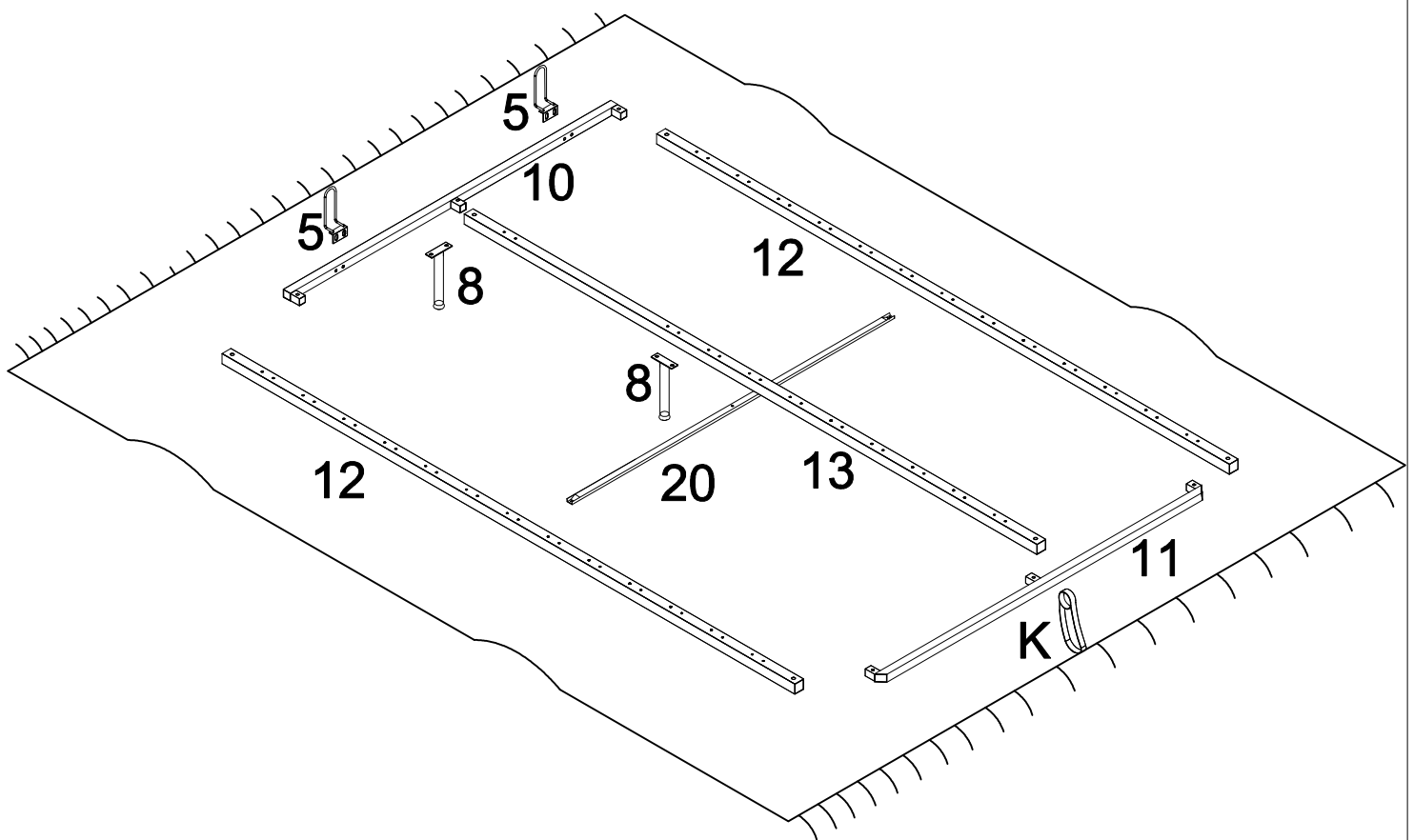


# HOLLYWOOD END LIFT OTTOMAN BED ASSEMBLY INSTRUCTION

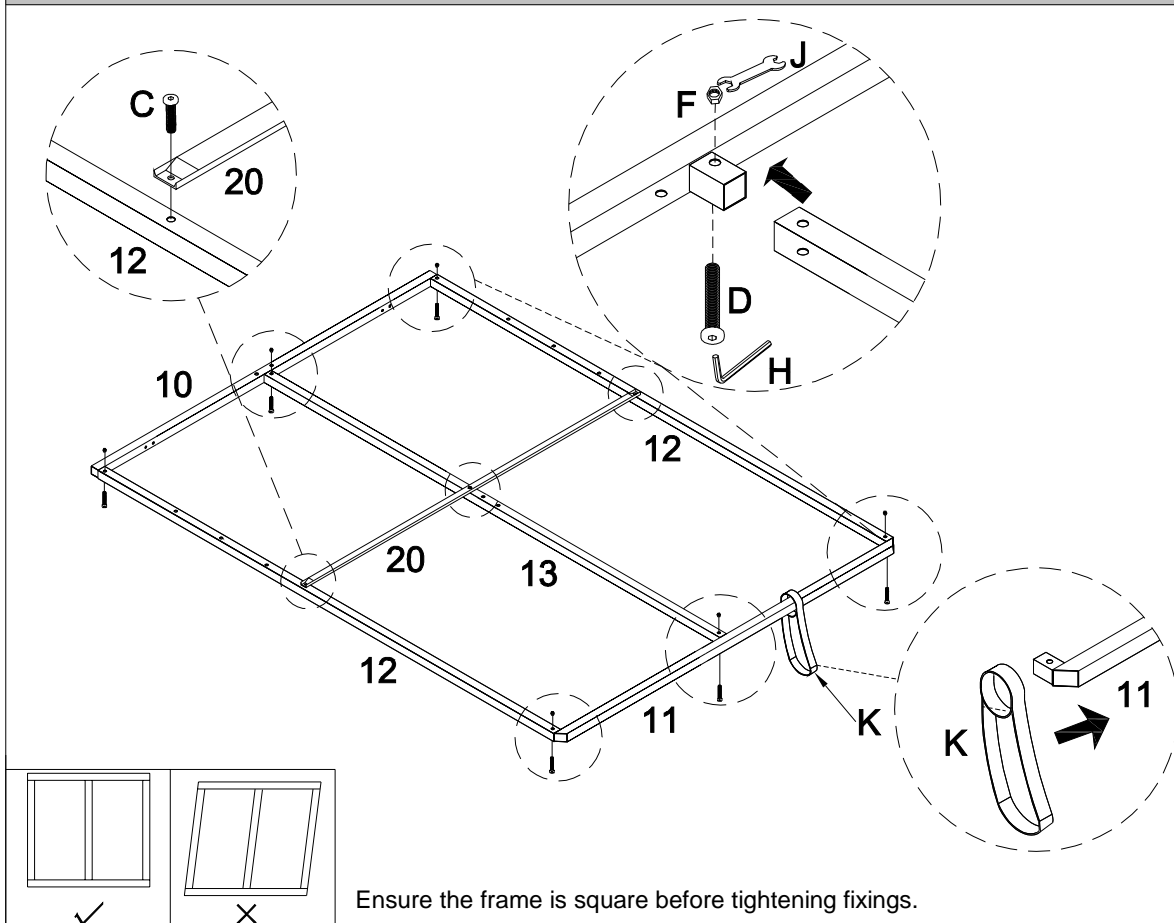
## Layout of Metal Frame

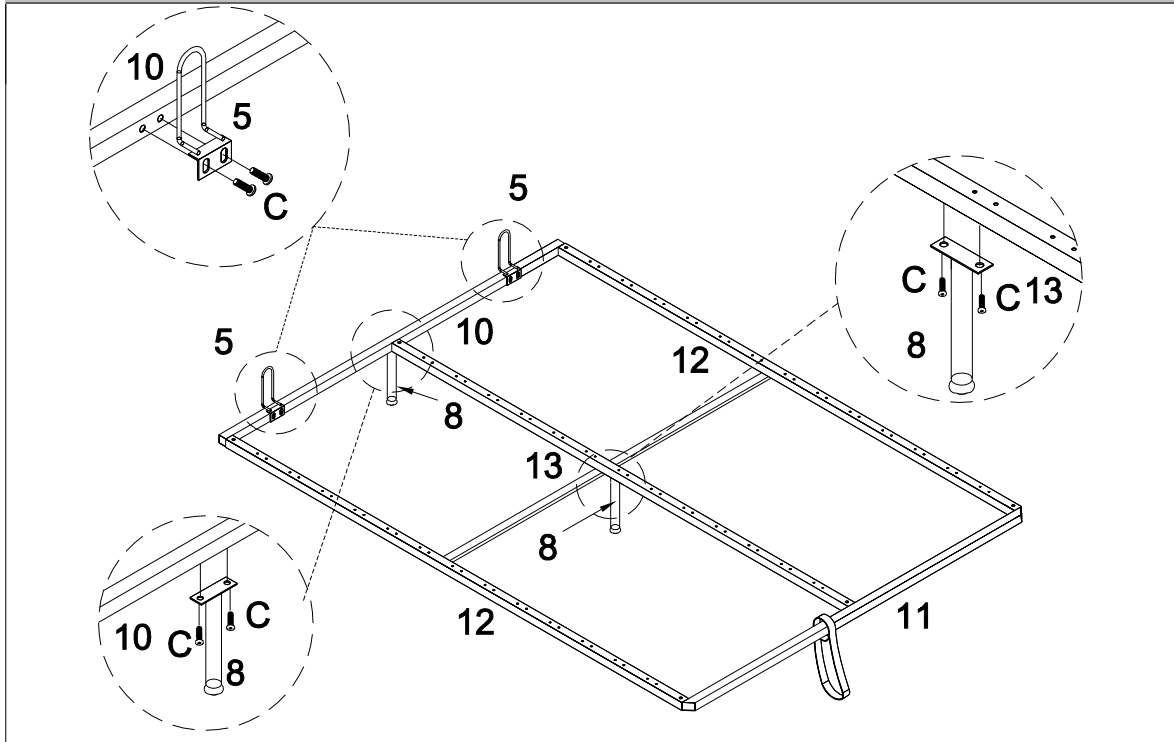
**! IMPORTANT** - Please ensure the frame poles are fitted according to the illustration exactly. If assembled without following this illustration, the frame will not fit to the bed correctly.

**IMPORTANT** Attach the Base Lift Strap (K) to Front Tube (11) before securing the frame together.



# HOLLYWOOD END LIFT OTTOMAN BED ASSEMBLY INSTRUCTION

STEP 6	Parts Required
	<p>10.BACK FRAME TUBE x1 11.FRONT FRAME TUBE x1 12.SIDE TUBE x 2 13.CENTRE RAIL x 2 20.CROSS RAIL x 1</p> <p>C x 3 D x 6 F x 6 H x 1 K x 1 J x 1</p>

STEP 7	Parts Required
	<p>5.MATTRESS SUPPORT x 2 8.LONG SUPPORT LEG x 2</p> <p>C x 8 H x 1</p>

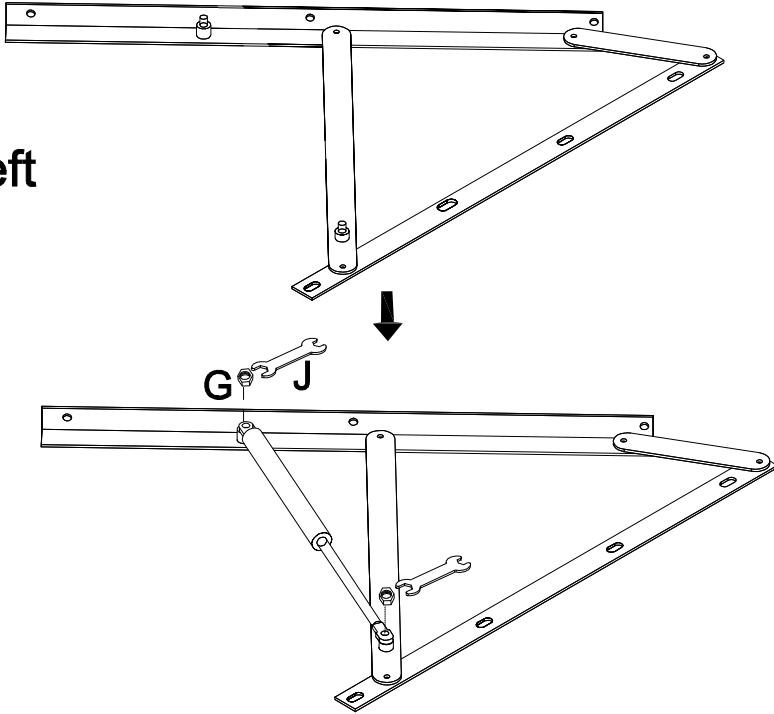
# HOLLYWOOD END LIFT OTTOMAN BED ASSEMBLY INSTRUCTION

## STEP 8

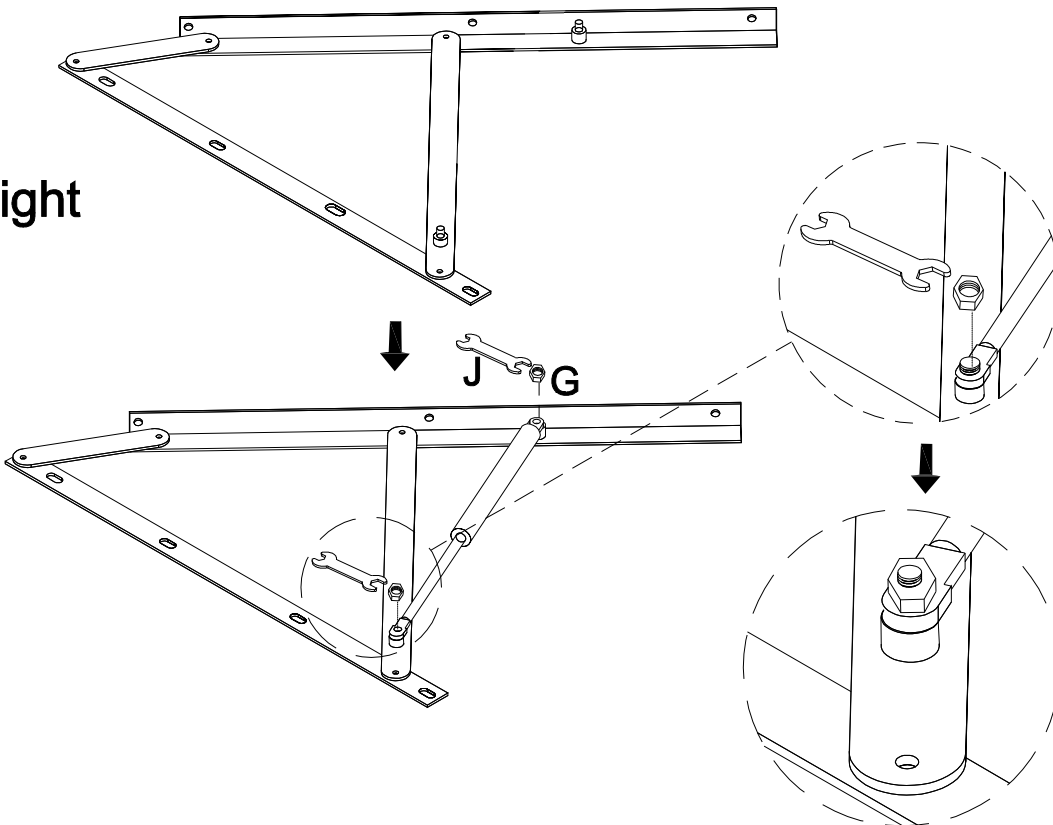
### Parts Required

9.HINGE LEFT &  
RIGHT x 2  
4.PISTON x 2

Left



Right

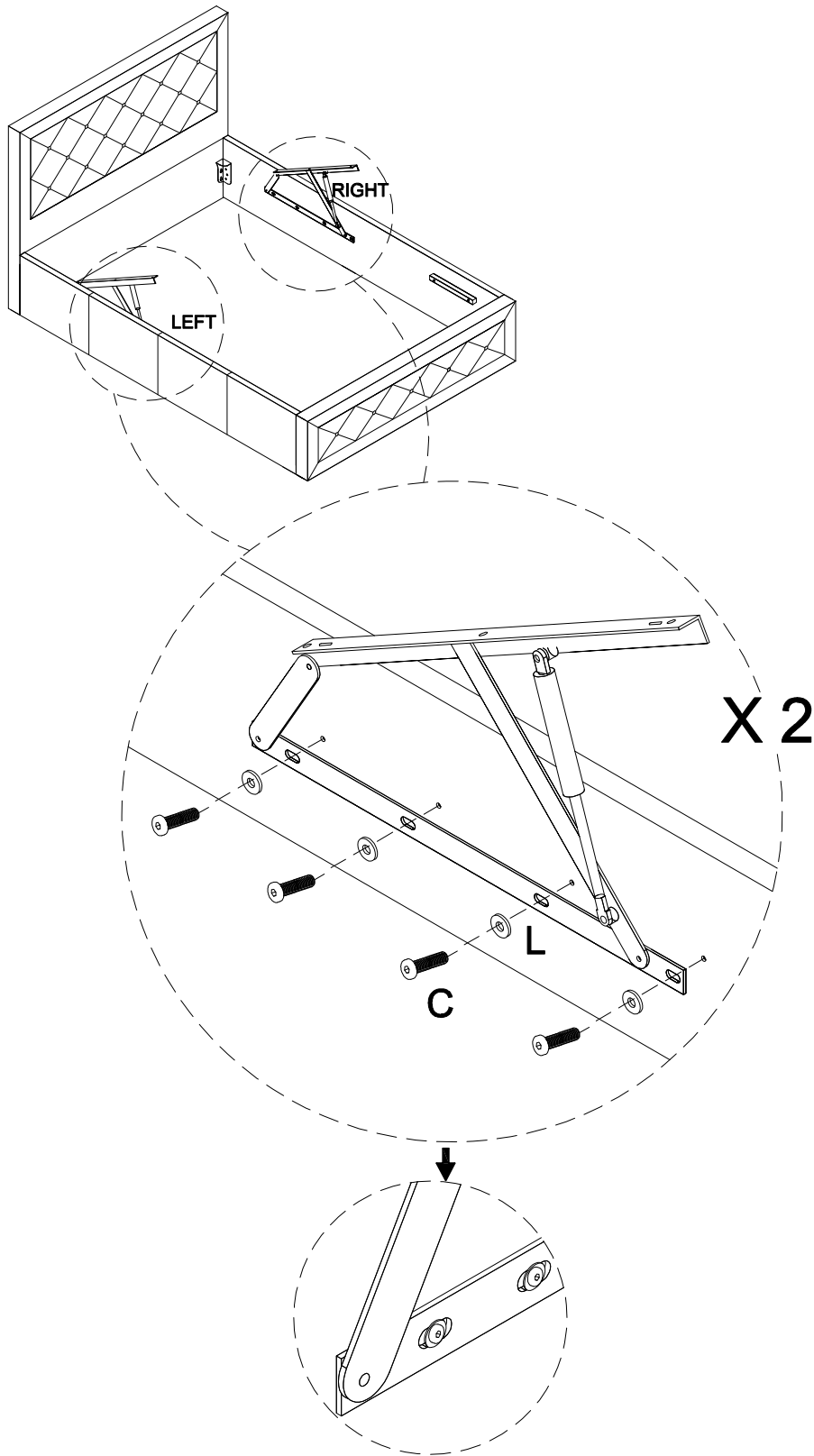


# HOLLYWOOD END LIFT OTTOMAN BED ASSEMBLY INSTRUCTION

## STEP 9

### Parts Required

C x 8  
L x 8  
H x 1



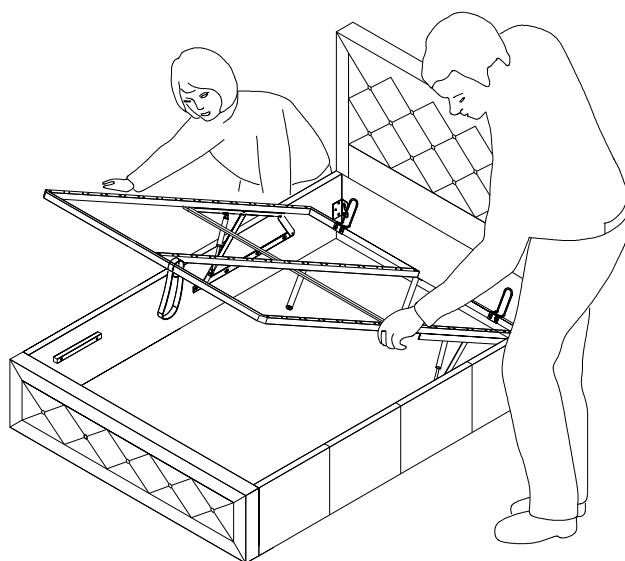
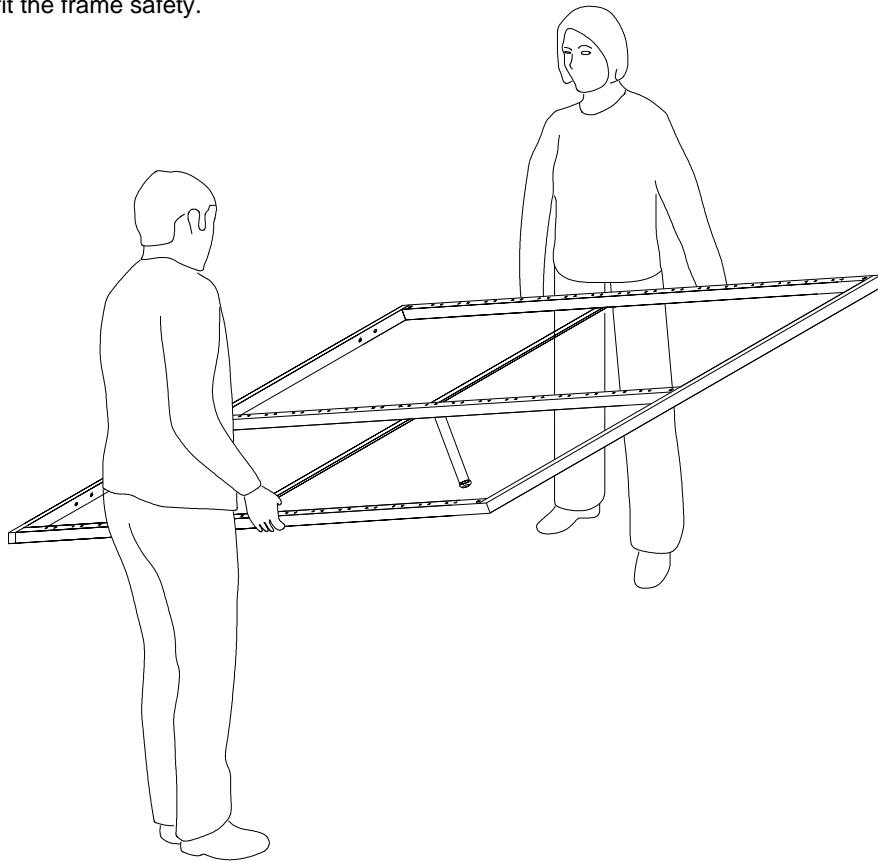
BOLTS SHOULD BE POSITIONED AT THE CENTRE OF THE LONG HOLES



# HOLLYWOOD END LIFT OTTOMAN BED ASSEMBLY INSTRUCTION

## STEP 10

2 people are required to fit the frame safety.

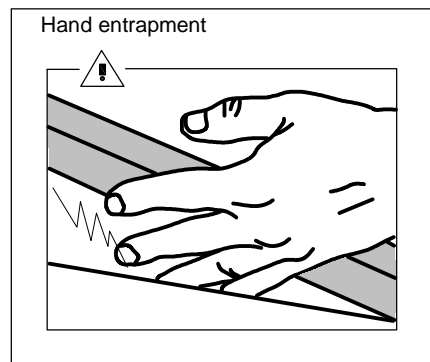
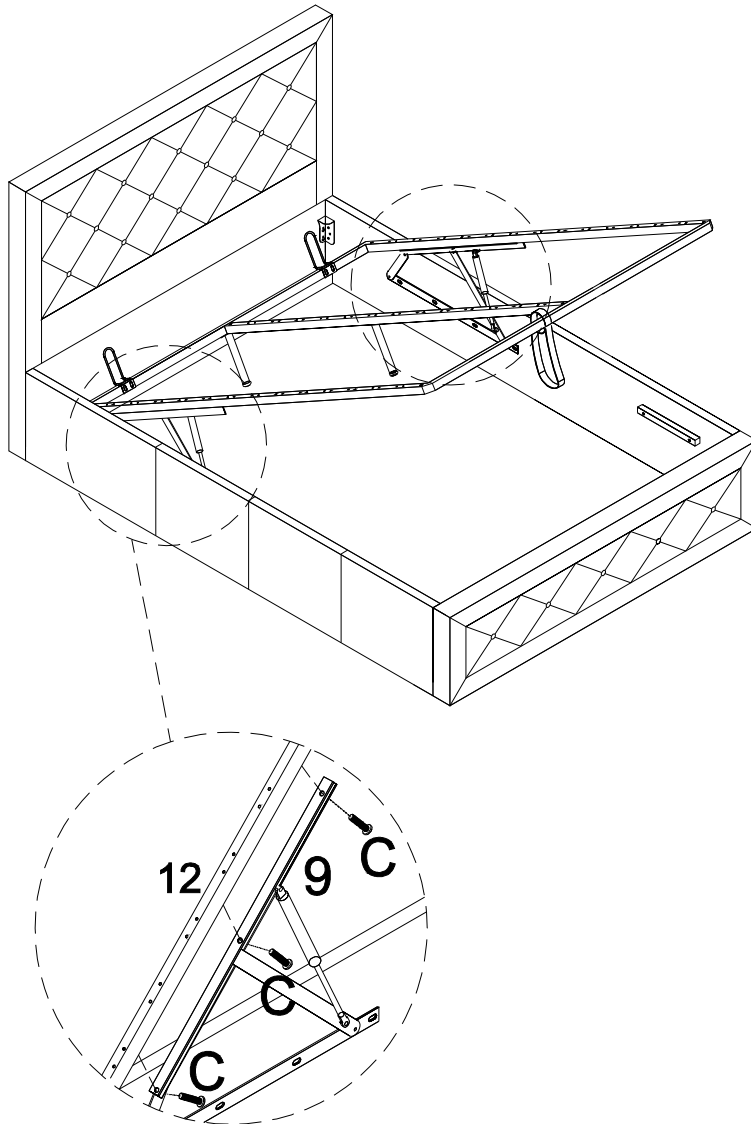


# HOLLYWOOD END LIFT OTTOMAN BED ASSEMBLY INSTRUCTION

## STEP 11

### Parts Required

C x 6  
H x 1



ATTACH THE BED BASE SIDE TUBES TO HINGES (9) USING BOLT (C), ONCE BASE IS ATTACHED PLEASE ENSURE THE SUPPORT LEG IS AT LEAST 10MM AWAY FROM THE STORAGE BASE.

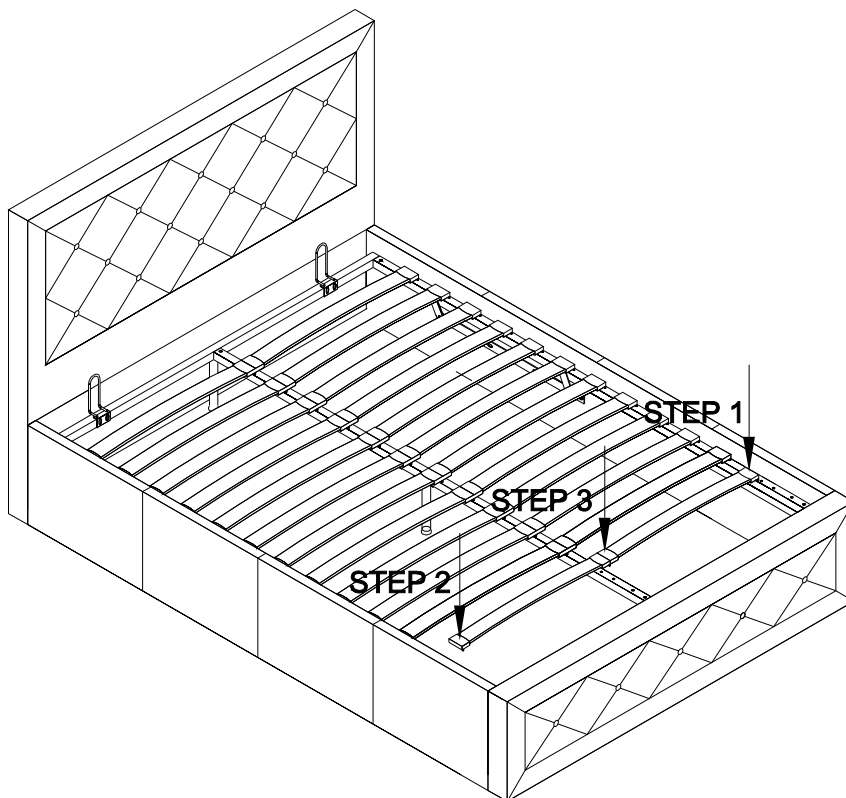
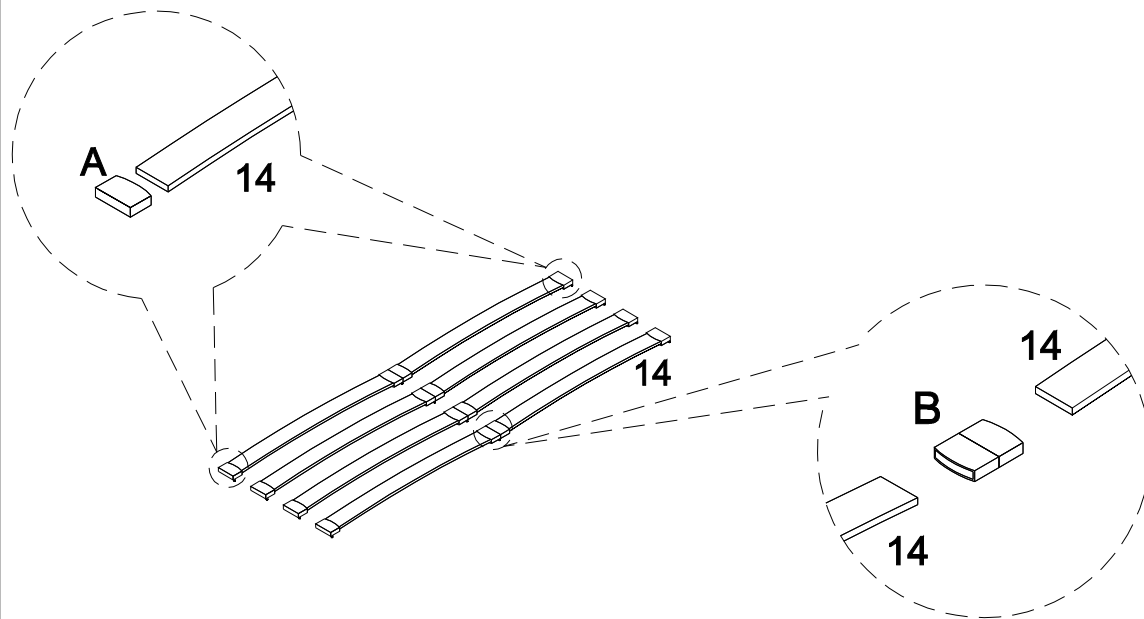
# HOLLYWOOD END LIFT OTTOMAN BED ASSEMBLY INSTRUCTION

## STEP 12

### Parts Required

14. WOODEN SLAT x 26

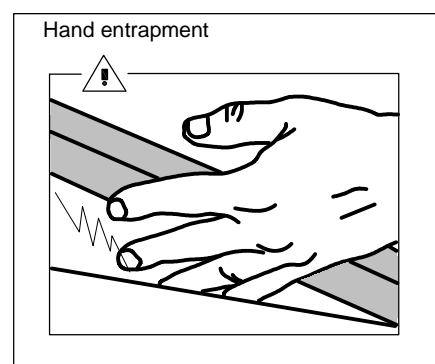
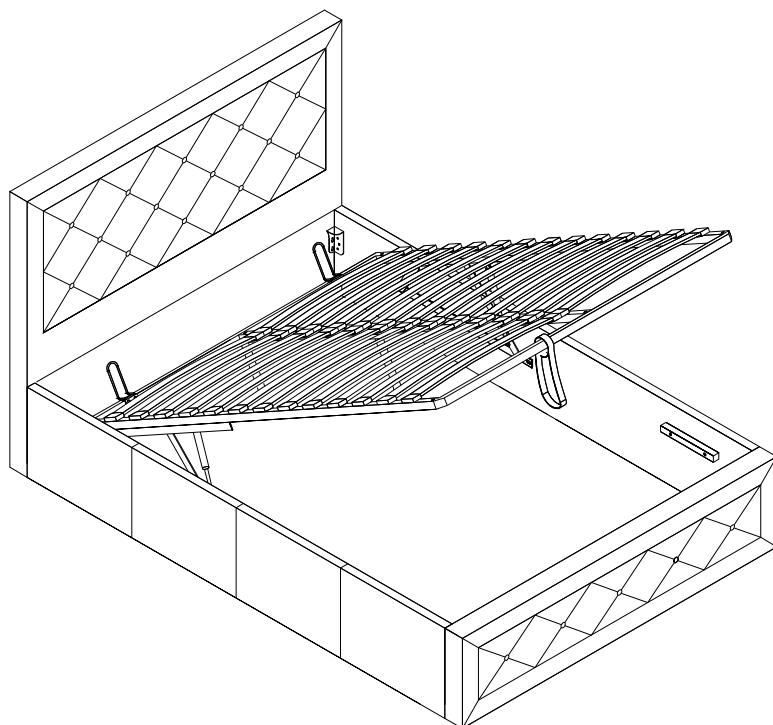
A x 26  
B x 13



# HOLLYWOOD END LIFT OTTOMAN BED ASSEMBLY INSTRUCTION

## Complete Assembly

Your bed frame is now completely assembled but the ottoman will not operate correctly unless a mattress is placed on the slat frame and will not stay shut unless the mattress remains in position. To position the mattress on the slat frame, simply place the mattress on top of the slat frame whilst it is in the up (open) position.



Lift with the strap (J) and close as per guidance on page 7. The strap should always be accessible. Take care not to lean over the bed when lifting, if the mattress is thin and light, the frame may rise quickly. The speed of closing will also depend on the weight of the mattress so always keep fingers well clear of the metal frame.

**PLEASE NOTE** - It takes a lot of force to make the initial movement of the ottoman - **THIS IS A DESIGN FEATURE OF THE PRODUCT SO THAT IT DOES NOT FALL SHUT** - and the nearer to being closed the ottoman is, the easier it is to move. When the ottoman is almost shut, it will close completely under its own weight.

When lowering the slat unit for the first time, take care to make sure it does not rub unevenly on the inside face of the Side Rail. If it does, the bed has been assembled slightly out of square. This can be rectified by moving the Footboard of the bed slightly to the left or right whilst leaving the headboard of the bed frame stationary.

### Tip for difficulty with compression:

If you are experiencing difficulty with the initial compression try fitting one piston at a time (following the Assembly Instructions) then press down on the side of the frame with the piston fitted - this acts like a big lever (The weight of the mattress can be used to supplement the load exerted). Effectively you are doubling the amount of force applied, because you have halved the resistance offered by the pistons. It can take slightly more effort than you might feel comfortable applying to the bed frame at first.

# HOLLYWOOD END LIFT OTTOMAN BED ASSEMBLY INSTRUCTION

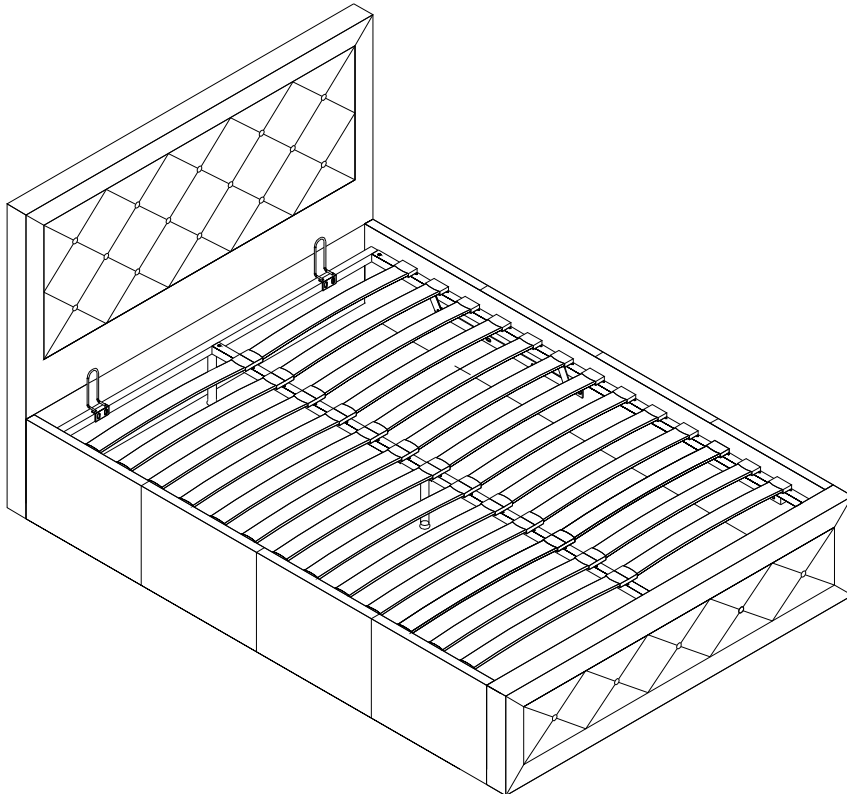
## Complete Assembly

Your bed frame is now completely assembled.

Periodically check to ensure that the components are in their proper position, free from damage. Also, make sure the connectors are tight and secure.

### IMPORTANT

WHEN USING YOUR OTTOMAN BED FOR STORAGE ENSURE THAT THE CENTRE FRAME SUPPORT LEGS ARE TOTALLY FREE FROM OBSTRUCTION WHEN CLOSING THE BED. USING THE BED WITH BENT OR DAMAGED SUPPORT LEGS WILL RESULT IN FAILURE OF THE FRAME.



Keep instructions for future reference

