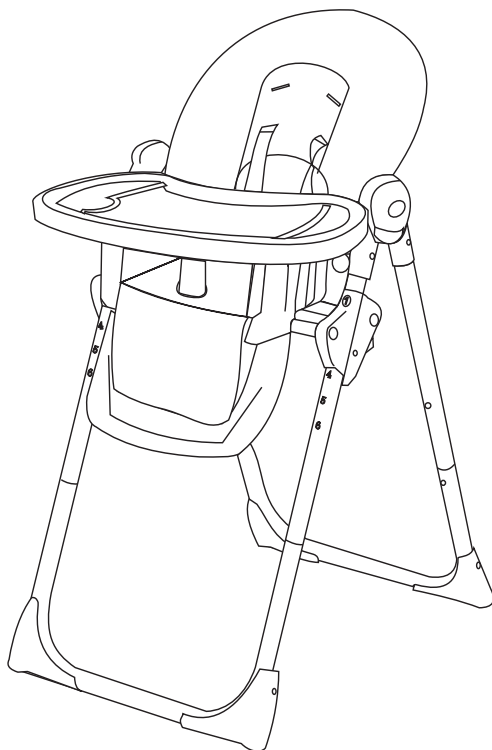


# CUGGL LITTLE SHEEP DELUXE HIGHCHAIR

IMPORTANT! KEEP THE INSTRUCTION FOR FURTHER REFERENCE

819/5584

cuggl 



## Important

Age: able to sit up unaided and up to 3 years  
Maximum user weight: 15kgs

Important-Please read the instruction fully before starting assembly

If you need help or any further question, call the Customer Helpline 03456 400 800

# Important information

---

## IMPORTANT ! READ CAREFULLY AND KEEP FOR FUTURE REFERENCE .

### WARNING!

- Do not use the highchair if any part is broken, torn or missing.
- The product is intended for children able to sit up unaided and up to 3 years or maximum weight of 15kg.
- Do not use the highchair if any of the components are not correctly fitted and/or adjusted.
- Never leave the child unattended in the highchair even for the shortest time.
- Always use the restraint system.
- Be aware of the open fires and other sources of strong heat in the vicinity of the products.
- Ensure all users are familiar with the products operation.
- The highchair should be opened and folded easily. If it does not fold easily, do not force the mechanism , stop and read the instruction.
- Only use the highchair on flat and stable ground.
- Ensure your highchair is fully erected before placing your child inside.
- Ensure children are clear of all moving parts before making any adjustments.
- Do not move the highchair with your child inside.
- Keep your children away when unfolding and folding the products to avoid injury.
- Falling hazard: Prevent your child from climbing on the products.
- Any additional hazards such as electrical cords should be kept out of reach of children.
- Be aware of the risk of tilting when your child can push its feet against a table or any other structure.

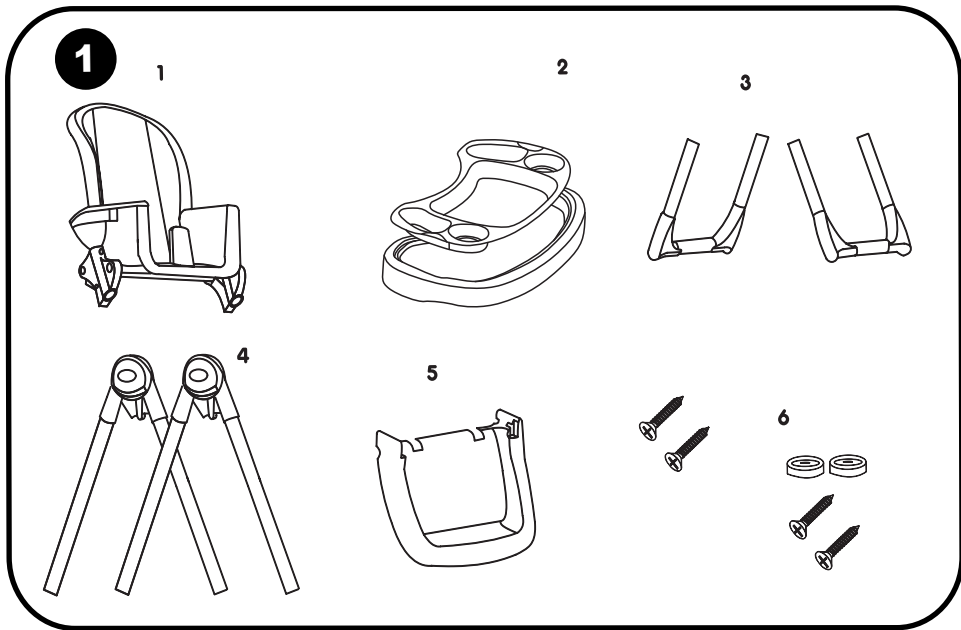
**Complies with EN 14988 :2017**

# 1.Parts list

Please retain all packaging until you are certain no parts are missing.

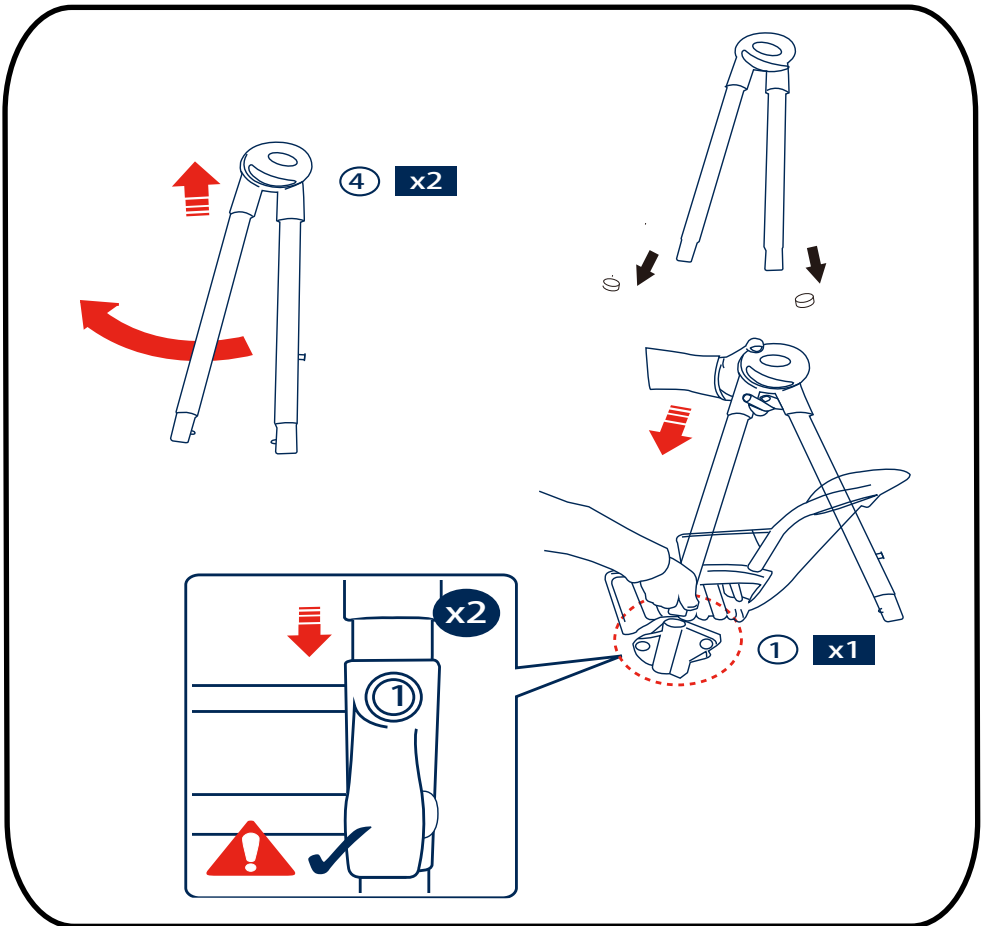
- 1.Seat unit
- 2.Two-part serving tray.
3. Front and rear feet.
- 4.Left and right legs.
- 5.Foot rest with securing screws (long).
6. Stop washer and screw x 2 (short).

After assembly, please dispose of all packaging carefully, including the caps on the ends of the legs



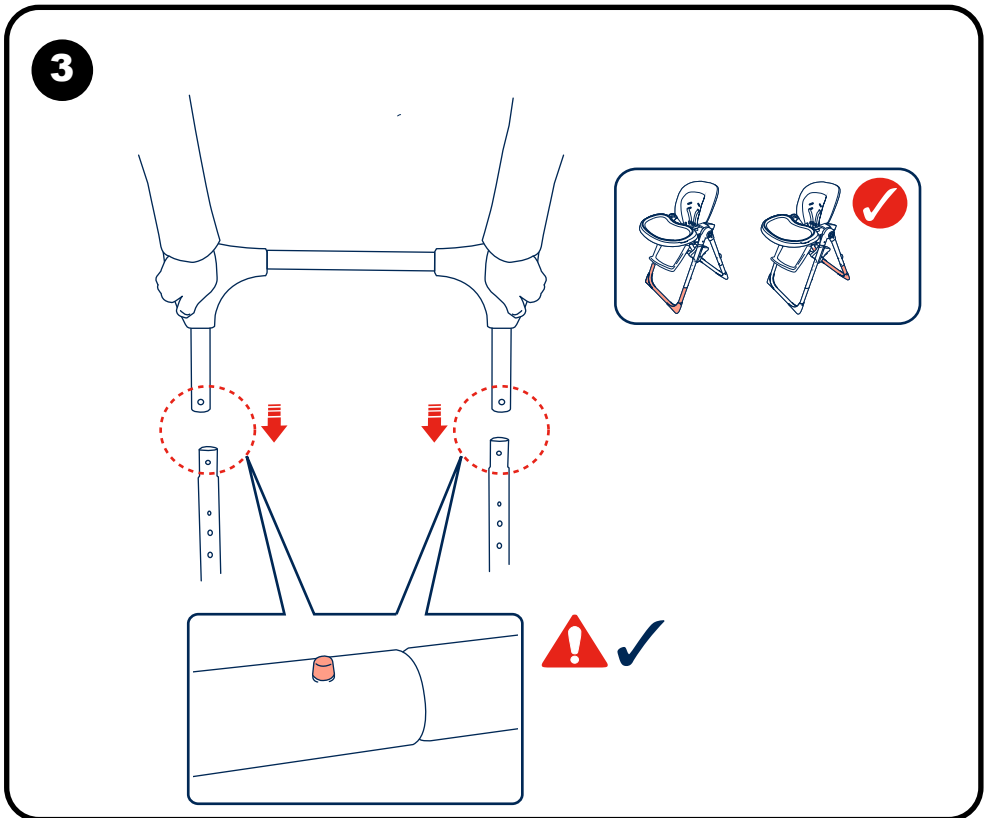
## 2.Assembly

- . Remove the plastic cap on the leg.
- . Take either the left or right leg , press and hold the red button (a) and extend the leg , then release the red button.
- . Take the other leg and repeat as above.
- . Hold the legs and while noting the orientation in the diagram, insert the legs into the top of the seat unit whilst pressing and holding the red button on the seat unit adjustment brackets.
- . To lift the seat unit press and hold the red buttons on the seat unit adjustment brackets and lift. There are six positions displayed on the front of the seat adjustment bracket - the lowest position is labelled "6" and the highest position is labelled "1" .The seat position should be located in position "1" before continuing



# 3. Fixing the feet

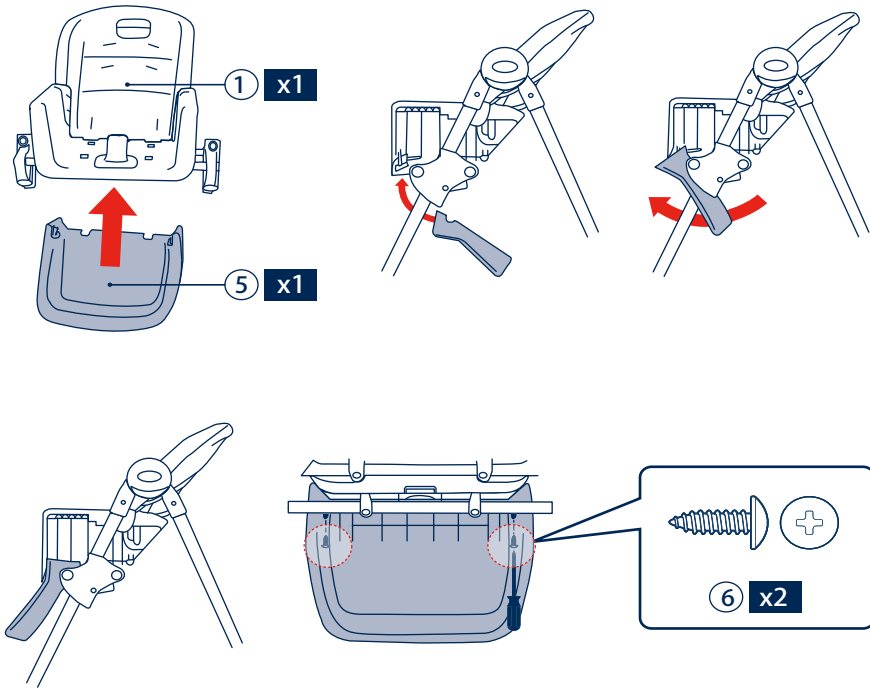
- . Turn the highchair upside down.
- . **IMPORTANT!** each of the four legs has a spring loaded pin.
- . Line up one of the feet so that the small hole on the top of the foot lines up with the pin .
- . Push firmly on the foot at either end until each of the two spring pins clicks into place . Repeat for the other foot.
- . **NOTE-** the rear foot is indicated by a red circular sticker located on the plastic foot.
- . Take one stop washer and insert the short screw , then insert it into the bottom hole at the rear of the front left leg , repeat the process for the right leg.



# 4. Attaching the foot rest

- . Insert the footrest underneath the seat unit as shown.
- . Using the screws provided , insert the screws on the back of the seat as shown.

4

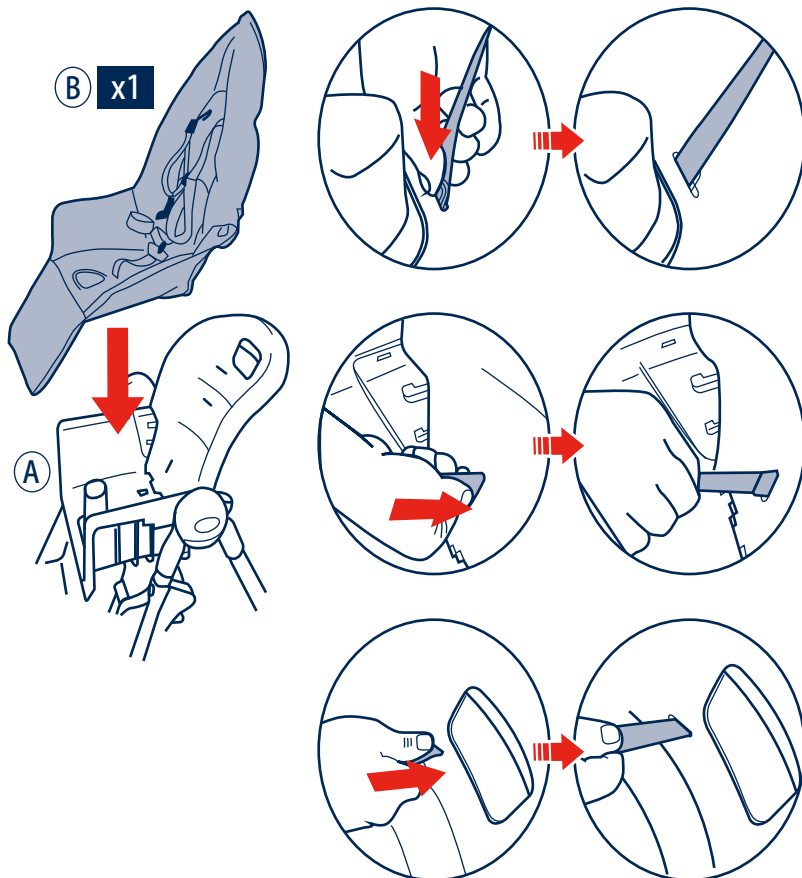


# 5. Fitting the seat cover

. Insert the seat pad as shown.

. Also can remove the seat pad same method.

5

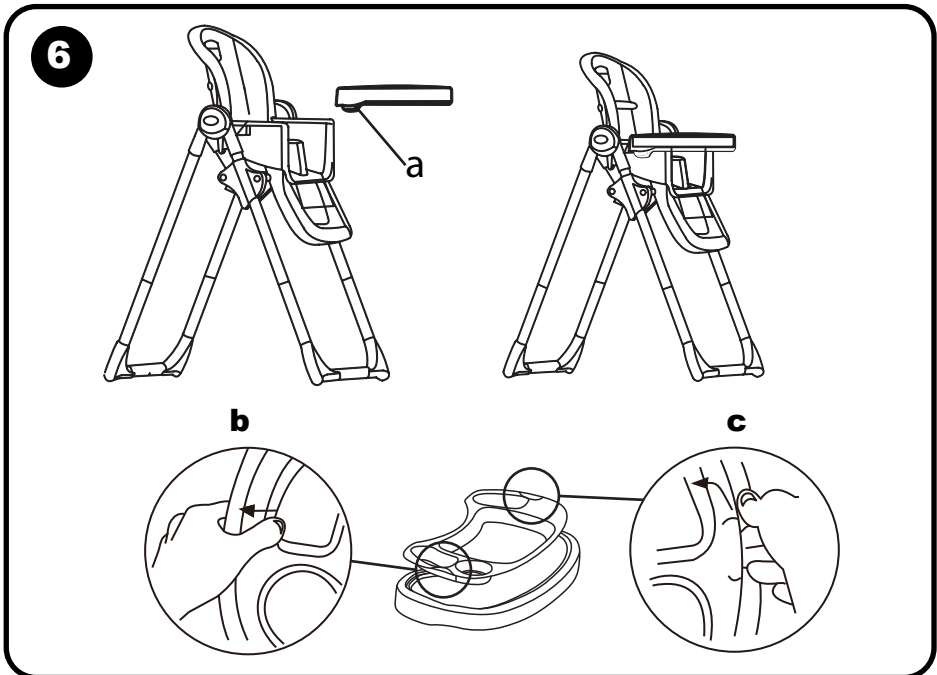


## 6. Fitting the tray

- Position the tray over the arms and pull the side levers found on the underside of the tray (a) in an outwards direction, whilst sliding the tray to the position required.
- The tray has three positions as indicated on the arm rests. Line the tray into the desired position then release the lever into the lock position. In the case the tray is not automatically locked onto the armrests, move the tray slightly until you hear a double click, this signals the tray is securely locked.

**WARNING!** - Never leave the tray fitted in a position where the warning signs are visible.

- To remove the tray, pull outwards on the side levers (a) found on the underside of the tray and remove.
- The top tray can be removed by holding and pulling at the ridge (b) whilst simultaneously lifting the other ridge (c).
- To replace the tray again, position the top tray over the bottom tray and push down.
- The tray may be stored on the back legs of the highchair. Align the holes in the rear of the tray with the small pegs on the back legs.





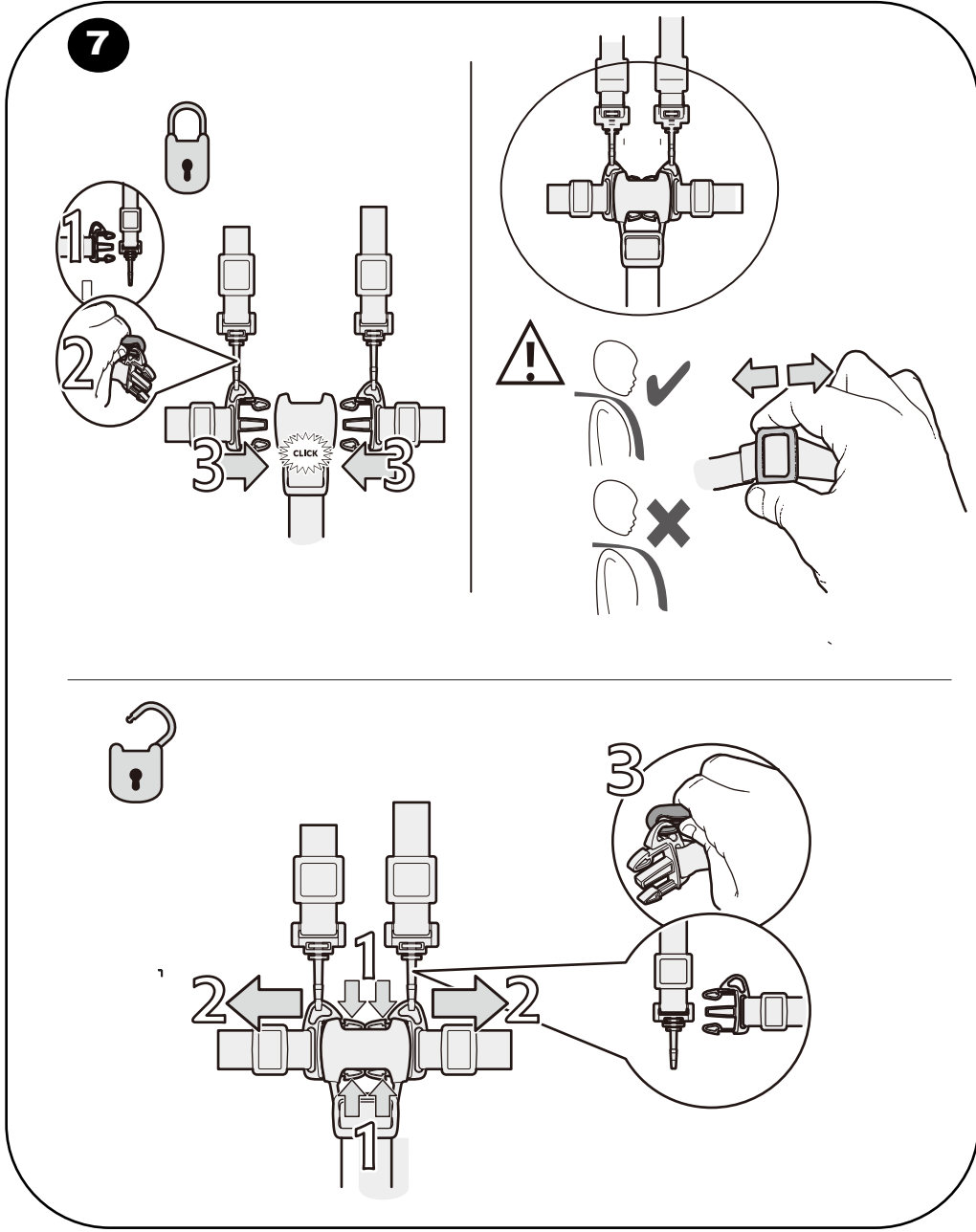
# 7. Using the harness

## Restraint system adjustment

To shorten safety belt: draw out top zone and then tail belt, lock it.

To elongate safety belt: draw out top zone, shorten tail belt, then fasten.

**NOTE:** The length of safety belt can be adjusted according to the height of child.



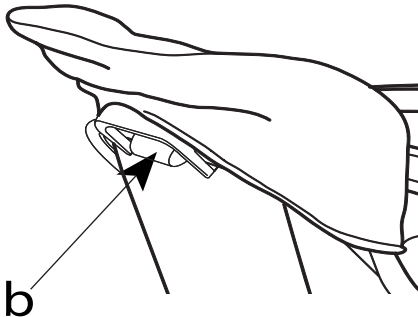
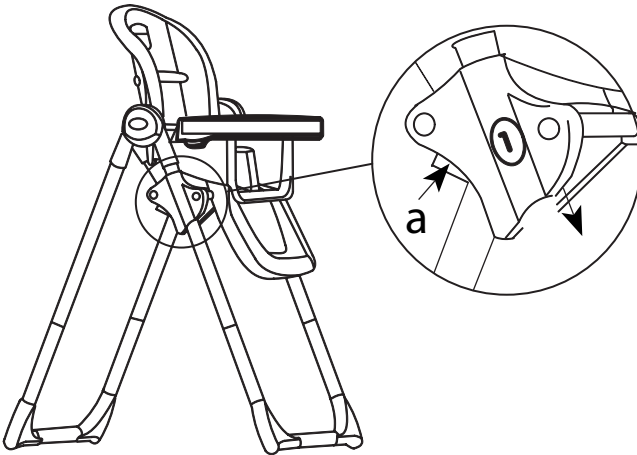
## 8. Adjusting the seat recline

**WARNING!** - Do not adjust the height of the seat whilst your child is seated.

- To adjust the height of the seat, push in both the height adjusting locks (a) and simultaneously raise or lower the seat releasing both of the locks at the required height
- To adjust the recline, lift the lever (b) (found at the back of the seat unit) and position as required, releasing the mechanism to secure it into place.

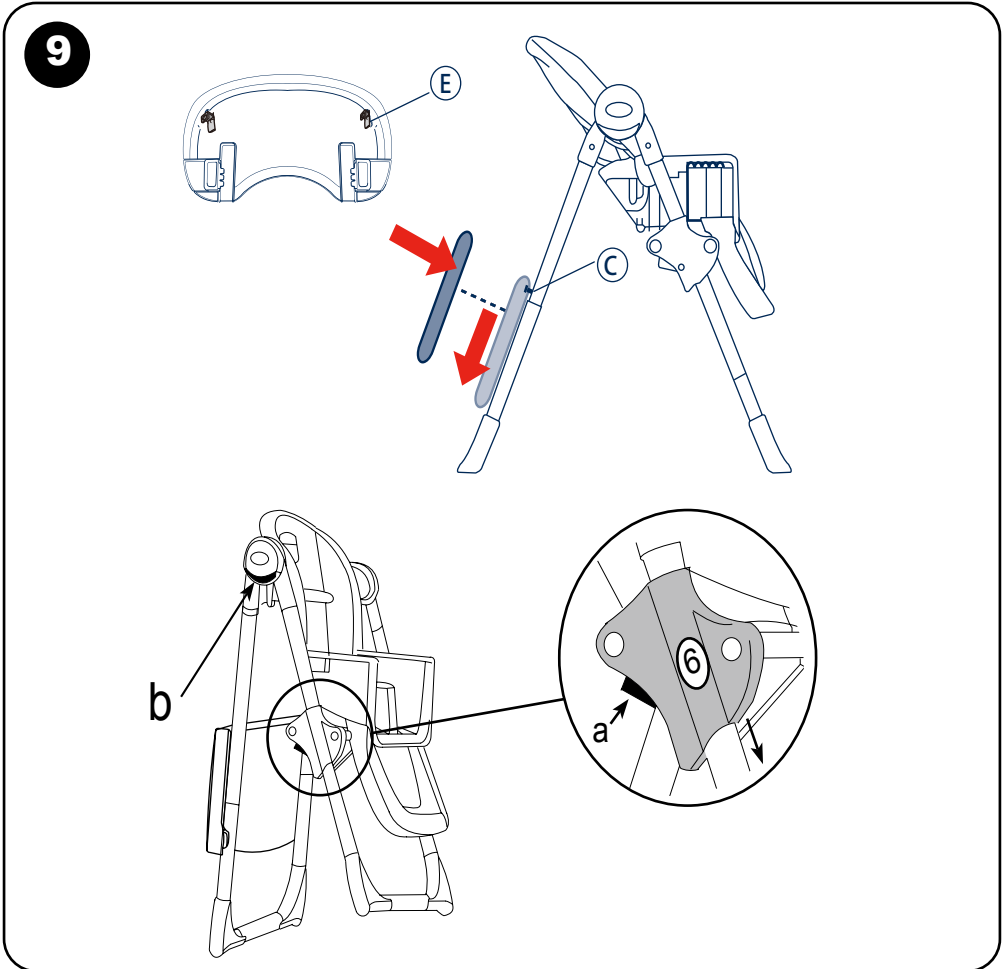
**IMPORTANT!!** -If the height adjustment becomes difficult after a period of use and as part of the regular maintenance routine. **DO NOT** use spray lubricants, simply wipe clean after use.

8



## 9.Folding the chair

- Take off the tray, put the tray hook (E) into the hole (C) beside the leg, see pic.9
- To fold, push in both of the height adjusting locks (a) and simultaneously lower the seat of the highchair to position 6.
- Then press in both of the release catches (b) on the side legs and slide the rear legs forward.
- Check the highchair is correctly folded in its locked position before leaving to stand free.



## 10.Remove the seat pad

---

Please refer to step 5

## 11.Cleaning

---

- . The highchair may be cleaned by sponging with warm soapy water and mild detergent . A mild disinfectant may be used if desired.
- . Stubborn marks may be removed with a non-abrasive cream cleaner.  
Never clean with abrasive , ammonia based, bleach based or spirit type cleaners.

## 12.Care and Maintenance

---

Ensure all locking devices work correctly & regularly, check the locks & fittings for security.

Regularly check all parts for wear & tear.

DO NOT use spray lubricants, simply wipe clean after use.

If you need help or any further question, call the

**Argos Aftersales Helpline:03456 400 800**

This highchair has been designed to comply with the EN 14988:2017

Country of origin:China

Argos LTD,489-499 Avebury Boulevard,Central Milton Keynes,MK9 2NW