

BUSH *Classic*

Instruction Manual

AM/FM Radio

AM66





Retro AM/FM Radio

Contents

Important safety information	3
Instructions for use	5
Check the package contents.	5
Where to put your Radio	5
Setting up	6
Your Retro FM/AM Radio	7
Using your Retro FM/AM Radio	8
Switch on	8
Switch off	8
Change the mode	8
Adjusting the volume	8
Using the FM radio.	9
Telescopic aerial	9
FM Radio mode	9
Tuning to an FM station.	9
Using the AM radio	10
AM Radio mode	10
Tuning to an AM station	10
Using Aux in.	11
Aux in mode	11
Technical information.	12
Specification	12
Troubleshooting	12
Help and assistance	13
General information.	14
Guarantee.	15





Important safety information

Your Radio should be treated with care. The information below has been provided in the interest of safety and will help you to enjoy this product and the benefits it brings for many years.

- Keep the product and all its parts out of reach of small children.
- This product is not intended for use by persons (including children) with reduced physical, sensory or mental capabilities, or lack of experience and knowledge, unless they have been given supervision or instruction concerning the use of the appliance by a person responsible for their safety.
- Keep it dry. Avoid exposure to precipitation, humidity and liquids which could all affect the product circuitry.
- Do NOT leave it in high temperatures as electronic devices and plastic parts may warp in heat.
- Do NOT leave it in low temperatures as moisture can form inside the product, which may damage the circuit board.
- Do NOT block or cover slots, holes or openings on the product by placing on soft furnishings such as carpets, rugs or beds as these are provided for functionality and/or ventilation to ensure safe operation of the product
- Do NOT store in dusty or dirty areas.
- Disconnect your Radio from the mains power supply during thunderstorms.
- Always check that you have completely switched off your Radio, before you change or disconnect the power supply.
- Only use the power supply that came with the product. Using an unauthorised power supply will invalidate your guarantee and may irrecoverably damage the product.
- Where the mains power plug or an appliance coupler is used as the disconnect device, the disconnect device shall remain readily operable.
- Do NOT attempt to open the product. This product does not contain any user serviceable parts. Unauthorised handling of the device may damage it and will void your warranty.
- Do NOT use your Radio near emergency/intensive care medical equipment; if you have a pacemaker fitted or during an electrical storm.
- Do NOT use harsh chemicals, cleaning solvents or detergents to clean the product. Wipe with a damp (not wet) soft cloth to clean.
- If the Radio will not be used for a long period of time, make sure that all of the batteries are removed from the battery compartment and the mains power is unplugged.





Important safety information

- Only use recommended batteries or those of the same equivalent type.
- Do not mix old and new batteries or batteries of different types.
- Batteries are to be inserted with the correct polarity.
- The supply terminals are not to be short-circuited.
- Remove the batteries from the Radio if they will not be used for an extended period of time.
- Do not attempt to recharge non-rechargeable batteries.
- Dispose of old batteries carefully.
- Never throw batteries in a fire or attempt to open the outer casing.
- Batteries are harmful if swallowed, so keep away from young children.
- CAUTION: Danger of explosion if batteries are incorrectly replaced. Replace only with the same or equivalent type.



Instructions for use

Check the package contents

The package contains:

- 1 x Retro FM/AM Radio
- 1 x Power cord with mains power plug
- 1 x instruction manual

Where to put your Radio

It is important that you consider carefully in advance where your Radio will be situated and make sure that it is:

- on a flat and stable surface
Note: Never place your Radio directly onto antique or polished surfaces.
- within 1 metre of a power socket (if using mains power). Please ensure that the mains power lead is not a trip hazard.
- at least 1 metre away from other electrical appliances to avoid interference
- where you can fully extend the telescopic aerial
- away from bright sunlight or heat sources, such as a radiator
- not in a humid or very damp place such as a bathroom

Instructions for use

Setting up

1. Connect the mains power lead into the socket on the back of the Radio and fully extend the radio aerial in a vertical position to obtain the maximum signal strength.
2. Plug the power lead into the mains power wall socket and switch on.
3. Turn the OFF/FM/AM rotary on the top of the radio to clockwise to turn the product On.
4. Inserting the batteries (optional). Before installing the batteries (not included) please ensure that the Radio is switched off (turn the right hand rotary on the top to 'OFF') and is unplugged from the mains power supply.

On the back of the Radio, push down the tabs to release and remove the battery compartment cover.

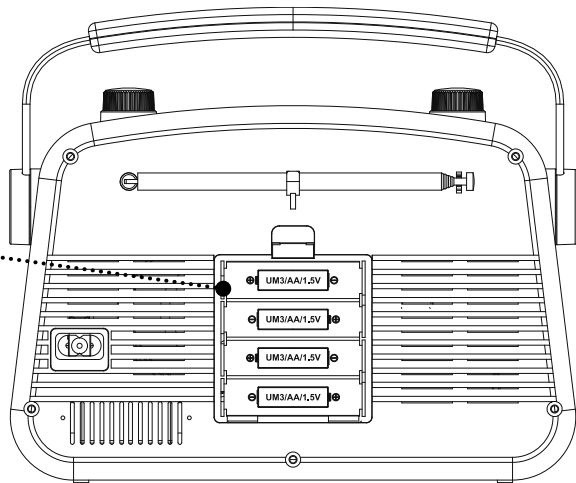
Insert 4 x 1.5V AA-size (also known as LR-6) batteries, making sure to note the '+' and '-' markings and position the batteries the correct way around.

Replace the battery cover, making sure it 'clicks' shut.

If used continuously on battery power, your Radio has an approximate battery life of 5 hours when using good quality alkaline batteries. When the battery power is low, please switch off the Radio and replace the batteries.

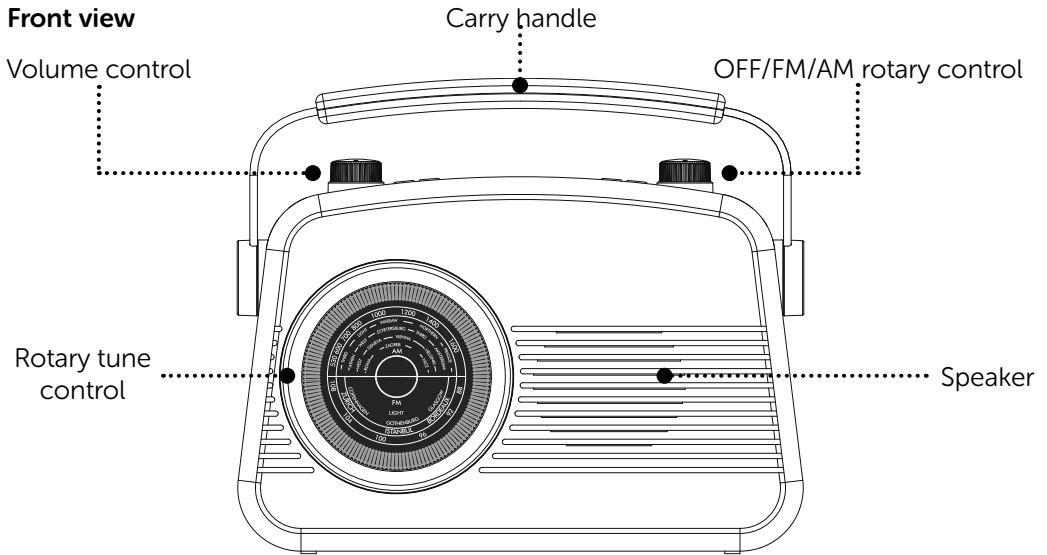
For battery operation, please switch off the mains adaptor and remove the mains power plug from the back of the Radio.

Battery compartment,
insert 4 x 1.5V AA-size (LR6)
batteries (not supplied)

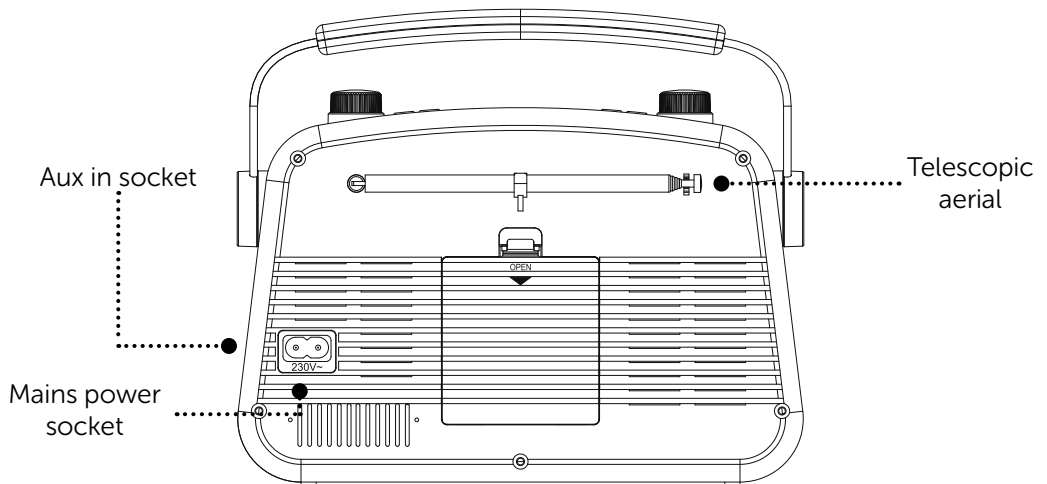


Your Retro FM/AM Radio

Front view



Rear view





Using your Retro FM/AM Radio

Switch on

Turn the OFF/FM/AM rotary on the top of the radio clockwise to turn the product On.

Note: Always make sure that the aerial is fully extended, to ensure the maximum signal strength and the best possible sound quality.

Switch off

Turn the OFF/FM/AM rotary on the top of the radio to 'OFF'. To completely switch off the Radio, switch off the mains power at the wall socket.

Change the mode

Turn the OFF/FM/AM rotary on the top of the radio to 'FM' or 'AM' as required.

Adjusting the volume

Turn the rotary volume wheel on the top of the radio, anti-clockwise to decrease the volume and clockwise to increase the volume.



Using the FM radio

Telescopic aerial

Please make sure that the aerial on the back of the Radio is fully extended before you attempt to tune to an FM station. This will ensure that the maximum signal strength is available when the Radio is tuning to a station. Extending the aerial also ensures the best possible sound quality.

FM Radio mode

Check that your Radio is in FM radio mode. If you are not already in FM mode, turn the OFF/FM/AM rotary on the top of the radio to 'FM'.

Tuning to an FM station

In FM mode:

Use the rotary tuning dial on the front of the radio to tune to your favourite FM station. Please use the frequencies marked on the dial as a guide.

The tuning dial will move both clockwise and anti-clockwise but does have a 'stop' point. If you turn the tuning dial and reach the 'stop' point, please turn the dial in the opposite direction to tune.

Note: If reception is still poor, check that the aerial is fully extended and then adjust the tuning dial slowly, or try moving the Radio to another location.



Using the AM radio

AM Radio mode

Check that your Radio is in AM radio mode. If you are not already in AM mode, turn the OFF/FM/AM rotary on the top of the radio to 'AM'.

Tuning to an AM station

In AM mode:

Use the rotary tuning dial on the front of the radio to tune to your favourite AM station. Please use the frequencies marked on the dial as a guide.

The tuning dial will move both clockwise and anti-clockwise but does have a 'stop' point. If you turn the tuning dial and reach the 'stop' point, please turn the dial in the opposite direction to tune.

Note: If reception is still poor, check that the aerial is fully extended and then adjust the tuning dial slowly, or try moving the Radio to another location.



Using Aux in

Aux in mode

Using the Aux in socket on the side of the radio you can make a quick and easy connection to an external sound source that has a Line or Headphone analogue output to play through your radio.

These may include:

iPod, iPhone, iPad or other mobile products

MP3 players

CD or tape walkmans

Personal computers or laptops

Connecting to the Aux in socket

1. With the rotary control turned to AUX AM or FM mode, connect one end of a 3.5mm audio connection cable (not included) to the headphone (or auxiliary out) socket of your secondary device, connect the other end to the Aux in socket on the side of your radio.
2. To gain optimal volume levels, adjust the volume level on both the secondary device and on the radio.

Note: Please remember to unplug the 3.5mm audio cable from the Aux in socket after you have finished listening to your external device, to enable you to listen to your radio in AM or FM mode again.



Technical information

Specification

Power source:	Output DC 5V 1A Input AC 230~/50Hz
Batteries:	4 x 1.5V AA size (LR6) (Optional, not supplied)
Frequency range:	FM: 87 MHz to 108 MHz AM: 522 kHz to 1620 kHz

Troubleshooting

If you are experiencing problems with your Radio, there are some quick and easy checks that you can do, which may help to solve the problem.

No sound / power:

- Adjust the volume using the rotary control on the top of the radio.
- Check that you do not have an Aux in cable connected. Unplug the Aux in cable.
- If you have batteries fitted, they may be exhausted and need to be replaced. Please use only good quality AA size batteries.
- Check that the mains power lead is connected at the back of the radio, the mains power wall socket is switched on and the rotary control on the top of the radio is switched to AM or FM.

Radio reception is poor:

- Fully extend the aerial to get the best reception and sound quality.
- Retune for radio stations, see pages 9 and 10.
- Try moving your Radio to another location to see if reception improves.
- Check that you do not have other electrical equipment too close to your Radio, causing interference.





Help and assistance

If you require any technical guidance or find that your AM/FM Radio is not operating as intended, a simple solution can often be found in the **Troubleshooting** section of these instructions or online at www.argos-support.co.uk

If you still require further assistance, call one of our experts on **0345 604 0105***. To help give us give you a fast and efficient service please have the following information ready:

Model Ref.	<input type="text"/>	You can find these on the rating plate - a small information panel (usually a sticker or metal plate) on the rear or base of your product.
Serial number	<input type="text"/>	
Date of purchase	<input type="text"/>	This will be shown on your receipt

Local call rates applies*

Lines open 8am-7pm Monday to Saturday and 10am-4pm Sunday.

*Calls to Argos enquiry lines may attract a charge and set up fee from residential lines depending on your call plan/tariff. Mobile and other providers costs may vary, see www.bt.com/pricing for details.


For security and training purposes, telephone calls to and from customer service centres may be recorded and monitored. Calls from Republic of Ireland will attract international call charges.






General information



This symbol  indicates that this product should not be treated as normal household waste and it should be recycled. Please take it to your nearest collection facility or for further details contact your local council or visit www.recycle-more.co.uk

Batteries contain substances that may be harmful to the environment and human health. Keep out of the reach of children and seek immediate medical help if swallowed.



This symbol  indicates that batteries should not be disposed of in the normal household waste but taken to appropriate local recycling facilities, where and when these are available.

Never throw batteries in a fire or attempt to open the outer casing



This product is intended for use within the UK. This equipment complies with the essential requirements of the Radio Equipment Directive 2014/53/EU.

Declaration of Conformance

Hereby, Argos Ltd, declares that this Retro AM/FM Radio is in compliance with the essential requirements and other relevant provisions of the Radio Equipment Directive 2014/53/EU. The complete declaration of conformity can be obtained by contacting <http://www.argos-support.co.uk/>





Guarantee



Call us now and activate your 12 month guarantee

Thank you for choosing Bush. Your new product is guaranteed against faults and breakdowns for 12 months. Don't forget to register it with us today so we can provide you with our best possible after-sales service and useful updates.

www.bushregistration.co.uk

FREEPHONE*

0800 597 8548

Lines are open 8am - 8pm, 365 days a year. *Calls may be recorded and monitored.

Your Bush Guarantee

This product is guaranteed for twelve months from the date of original purchase. Any defect that arises due to faulty materials or workmanship will be repaired free of charge (or if applicable the product will be replaced or the purchase price refunded) where possible during this period by the dealer from who your purchased the unit.

The guarantee is subject to the following provisions:

- The guarantee does not cover accidental damage, misuse, cabinet parts, knobs or consumable items.
- The product must be correctly installed and operated in accordance with the instructions contained in the manual.
- It must be used solely for domestic purposes. The guarantee will be rendered invalid if the product is re-sold or has been damaged by inexperienced repair.
- Specifications are subject to change without notice.
- Bush disclaim any liability for loss or damage arising from the breakdown of the product.
- This guarantee is in addition to and does not diminish your statutory or legal rights.

Important Data Protection Information

If you provide us with information about another person, you confirm that they have appointed you to act for them, to consent to the processing of their personal data including sensitive personal data and that you have informed them of our identity and the purposes (as set out in the Important Data Privacy notice displayed overleaf) for which their personal data will be processed.

You are entitled to ask for a copy of the information we hold about you (for which we may charge a small fee) and to have any inaccuracies in your information corrected.

For quality control and training purposes, we may monitor or record your communications with us.

If your personal details change, if you change your mind about any of your marketing preferences or if you have any queries about how we use your information, please let us know by contacting our Data Protection Officer, Domestic & General, Leicester House 17 Leicester Street, Bedworth, Warwickshire CV12 8JP.

Guarantor: Argos Limited - 489 - 499 Avebury Blvd. - Milton Keynes - MK9 2NW

section of these instructions, or online at www.argos-support.co.uk If you still require further assistance, call one of our experts on 0345 604 0105.





CE

