



MCGREGOR

INSTRUCTION MANUAL

- Please retain for future reference



3 in 1 ELECTRIC NAIL AND STAPLE GUN

SKU: 7849257 (Model: MCESG31)

Important - Please read these instructions fully before using the product.

These instructions contain important information that will help you get the best from your product, ensuring it is operated correctly and safely. If you need help or have damaged or missing parts, call the Customer Helpline on 0345 6052065

**AFTER SALES SUPPORT
0345 605 2065**

Contents

Safety information.....	3
In the box.....	10
Preparation.....	11
Operation.....	12
Maintenance.....	13
Spare parts.....	13
Technical data.....	14
Troubleshooting.....	15
Guarantee.....	16

Produced in China for Argos Limited, London, EC1M 6HA, UK.
Argos (N.I.) Ltd., Forestside Shopping Centre, Upper Galwally,
Belfast, BT8 6FX, UK.

Safety information

Important - Please read these instructions fully before use

General safety



WARNING!

Keep this instruction manual in a safe place for reference at a later date.

Always ensure anyone intending to operate this nail and staple gun is fully conversant with the contents of this manual prior to assembling, maintaining or operating the nail and staple gun.

Failure to observe this warning may lead to serious injury, death, or damage to the nail and staple gun.

Always take care when removing the packaging to prevent damage to you or to the nail and staple gun.

Safety information

Important - Please read these instructions fully before use

Personal safety



WARNING!

Only operate the nail and staple gun if you are wearing the correct Personal Protective Equipment (PPE) as described in the following warnings.

Warning symbols

Some of the following symbols may be marked on the product and indicate the appropriate safety measures to be taken when operating the product.



To reduce the risk of injury, user must read instruction manual



Warning



Wear ear protection



Wear eye protection



Wear dust mask



Double insulation



Waste electrical products must not be disposed of with household waste. Please recycle where facilities exist. Check with your local authorities or retailer for recycling advice.



Conforms to relevant EU regulatory requirements



Conforms to relevant UK regulatory requirements

Safety information

Important - Please read these instructions fully before use

General power tool safety warnings

WARNING!

Read all safety warnings and all instructions. *Failure to follow the warnings and instructions may result in electric shock, fire and/or serious injury.*

Save all warnings and instructions for future reference. *The term “power tool” in the warnings refers to your mains-operated (corded) power tool or battery-operated (cordless) power tool.*

1) Work area safety

- a) **Keep work area clean and well lit.** *Cluttered or dark areas invite accidents.*
- b) **Do not operate power tools in explosive atmospheres, such as in the presence of flammable liquids, gases or dust.** *Power tools create sparks which may ignite the dust or fumes.*
- c) **Keep children and bystanders away while operating a power tool.** *Distractions can cause you to lose control.*

2) Electrical safety

- a) **Power tool plugs must match the outlet. Never modify the plug in any way. Do not use any adapter plugs with earthed (grounded) power tools.** *Unmodified plugs and matching outlets will reduce risk of electric shock.*
- b) **Avoid body contact with earthed or grounded surfaces, such as pipes, radiators, ranges and refrigerators.** *There is an increased risk of electric shock if your body is earthed or grounded.*
- c) **Do not expose power tools to rain or wet conditions.** *Water entering a power tool will increase the risk of electric shock.*
- d) **Do not abuse the cord. Never use the cord for carrying,**

Safety information

Important - Please read these instructions fully before use

General power tool safety warnings

pulling or unplugging the power tool. Keep cord away from heat, oil, sharp edges or moving parts. *Damaged or entangled cords increase the risk of electric shock.*

- e) When operating a power tool outdoors, use an extension cord suitable for outdoor use. *Use of a cord suitable for outdoor use reduces the risk of electric shock.***
- f) If operating a power tool in a damp location is unavoidable, use a residual current device (RCD) protected supply. *Use of an RCD reduces the risk of electric shock.***

3) Personal safety

- a) Stay alert, watch what you are doing and use common sense when operating a power tool. Do not use a power tool while you are tired or under the influence of drugs, alcohol or medication. *A moment of inattention while operating power tools may result in serious personal injury.***
- b) Use personal protective equipment. Always wear eye protection. *Protective equipment such as dust mask, non-skid safety shoes, hard hat, or hearing protection used for appropriate conditions will reduce personal injuries.***
- c) Prevent unintentional starting. Ensure the switch is in the off-position before connecting to power source and/or battery pack, picking up or carrying the tool. *Carrying power tools with your finger on the switch or energising power tools that have the switch on invites accidents.***
- d) Remove any adjusting key or wrench before turning the power tool on. *A wrench or a key left attached to a rotating part of the power tool may result in personal injury.***
- e) Do not overreach. Keep proper footing and balance at all times. *This enables better control of the power tool in unexpected situations.***
- f) Dress properly. Do not wear loose clothing or jewellery. Keep your hair, clothing and gloves away from moving**

Safety information

Important - Please read these instructions fully before use

General power tool safety warnings

parts. *Loose clothes, jewellery or long hair can be caught in moving parts.*

- g) If devices are provided for the connection of dust extraction and collection facilities, ensure these are connected and properly used. *Use of dust collection can reduce dust-related hazards.***

- 4) Power tool use and care**
- a) Do not force the power tool. Use the correct power tool for your application. *The correct power tool will do the job better and safer at the rate for which it was designed.***
- b) Do not use the power tool if the switch does not turn it on and off. *Any power tool that cannot be controlled with the switch is dangerous and must be repaired.***
- c) Disconnect the plug from the power source and/or the battery pack from the power tool before making any adjustments, changing accessories, or storing power tools. *Such preventive safety measures reduce the risk of starting the power tool accidentally.***
- d) Store idle power tools out of the reach of children and do not allow persons unfamiliar with the power tool or these instructions to operate the power tool. *Power tools are dangerous in the hands of untrained users.***
- e) Maintain power tools. Check for misalignment or binding of moving parts, breakage of parts and any other condition that may affect the power tool's operation. If damaged, have the power tool repaired before use. *Many accidents are caused by poorly maintained power tools.***
- f) Keep cutting tools sharp and clean. *Properly maintained cutting tools with sharp cutting edges are less likely to bind and are easier to control.***
- g) Use the power tool, accessories and tool bits etc. in accordance with these instructions, taking into account**

Safety information

Important - Please read these instructions fully before use

General power tool safety warnings

the working conditions and the work to be performed.
Use of the power tool for operations different from those intended could result in a hazardous situation.

5) Service

- a) Have your power tool serviced by a qualified repair person using only identical replacement parts. *This will ensure that the safety of the power tool is maintained.***

Safety information

Important - Please read these instructions fully before use

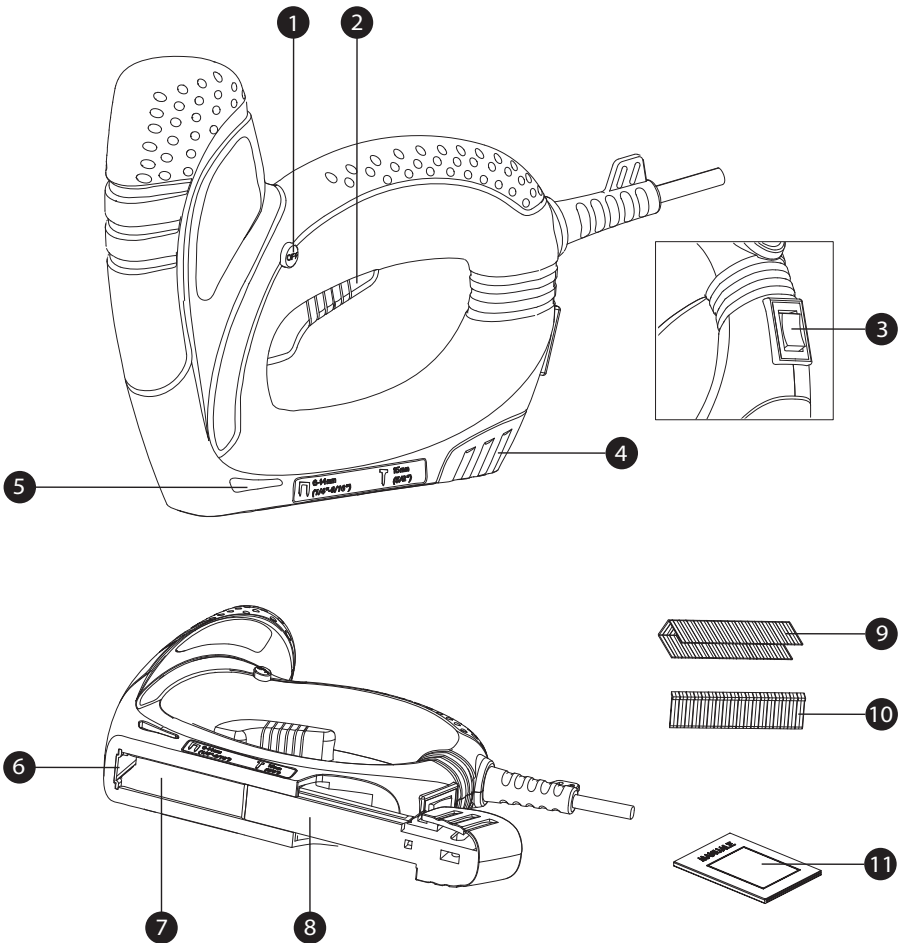
Nail and staple gun safety warnings

- 1. Always assume that the tool contains fasteners.** *Careless handling of the nail and staple gun can result in unexpected firing of fasteners and personal injury.*
- 2. Do not point the tool towards yourself or anyone nearby.** *Unexpected triggering will discharge the fastener causing an injury.*
- 3. Do not actuate the tool unless the tool is placed firmly against the workpiece.** *If the tool is not in contact with the workpiece, the fastener may be deflected away from your target.*
- 4. Disconnect the tool from the power source when the fastener jams in the tool.** *While removing a jammed fastener, the nail and staple gun may be accidentally activated if it is plugged in.*
- 5. Use caution while removing a jammed fastener.** *The mechanism may be under compression and the fastener may be forcefully discharged while attempting to free a jammed condition.*
- 6. Do not use this nail and staple gun for fastening electrical cables.** *It is not designed for electric cable installation and may damage the insulation of electric cables thereby causing electric shock or fire hazards.*

In the box

Parts

- 1 Safety switch
- 2 Trigger
- 3 On/off switch
- 4 Lever for loading magazine
- 5 Staple observation window
- 6 Nail/staple head
- 7 Magazine
- 8 Nail gauge
- 9 Staples
- 10 Nails
- 11 Instruction manual



Preparation

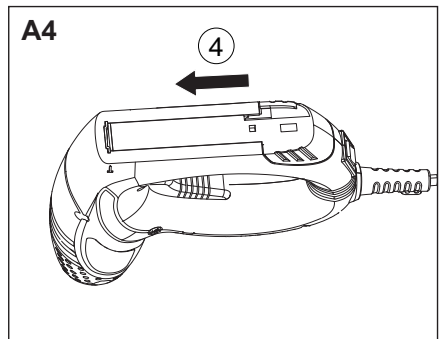
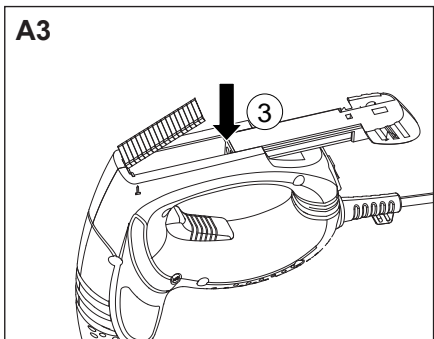
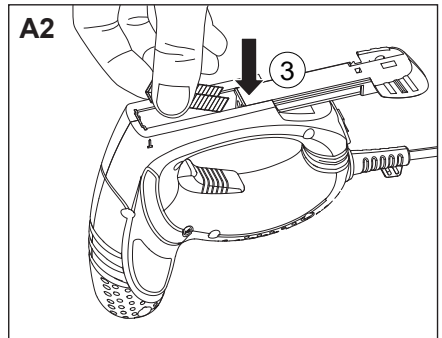
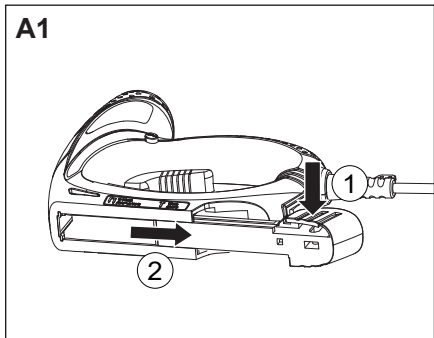
Preparing instructions

1. LOADING NAILS AND STAPLES (SEE FIG. A1-A4)



WARNING: Switch off the machine and unplug before inserting nails and staples.

Turn the tool upside down to access the magazine. Press the lever for loading magazine and pull out the staple/nail gauge toward the rear. Insert the nail/staple strip into magazine with nail/staple tips pointing upwards (maximum capacity 50 nails/staples). Insert the magazine again until it engages.



Operation

Operating instructions

INTENDED USE

The power tool is intended for tacking fabrics, leather, cardboard, foils, insulation material and other materials to soft structural surfaces, such as wood or wood-like materials. The power tool is not suitable for fastening wall or ceiling panelling.

1. ON/OFF SWITCH (SEE FIG. B)

Plug the power cord into the mains power supply and turn the switch on.

To start the machine, press down the on/off switch on the position marked "I".

To switch off the machine, press down the on/off switch on the position marked "O".



WARNING: Switch off the machine and disconnect it from the power source immediately when not in use.

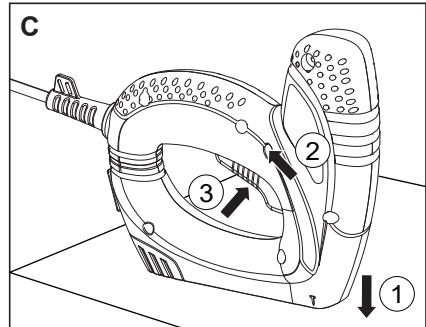
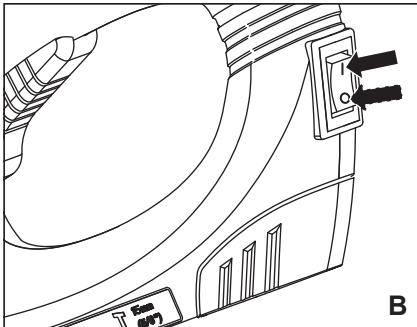
2. OPERATING THE STAPLE GUN (SEE FIG. C)

1) Firmly press the tool head against the workpiece until there is no gap between the head and the workpiece.

2) Only push the safety switch to the marked "on" position.

3) Briefly press the trigger and then release again.

NOTE: Remove all nails/staples from the magazine after each use.



Maintenance

Maintenance

Remove the plug from the socket before carrying out any adjustment, servicing or maintenance.

Your power tool requires no additional lubrication or maintenance. There are no user serviceable parts in your power tool. Never use water or chemical cleaners to clean your power tool. Wipe clean with a dry cloth. Always store your power tool in a dry place. Keep the motor ventilation slots clean. Keep all working controls free of dust. If the supply cord is damaged, it must be replaced by the manufacturer, its service agent or similarly qualified persons in order to avoid a hazard.


Spare parts

Spare parts

Staples	400
Nails	100

Technical data

Technical data table

Model number	MCEG31
Rated voltage	220-240V~50Hz
Rated power input	45W
Firing rate	30/min
Staple capacity	6-14 mm
Nail capacity	15 mm
Max Nail/staple capacity	50 pcs
Protection class	
Machine weight	0.475kg

Noise and vibration technical data

NOISE INFORMATION

A weighted sound pressure

$$L_{pA} = 73,8 \text{ dB(A)}$$

A weighted sound power

$$K_{pA} = 3 \text{ dB(A)}$$

$$L_{wA} = 84,8 \text{ dB(A)}$$

$$K_{wA} = 3 \text{ dB(A)}$$


Wear ear protection.

VIBRATION INFORMATION

Vibration total values (triax vector sum) determined according to EN 60745:

Vibration emission value: $a_n = 4,678 \text{ m/s}^2$ Uncertainty $K = 1,5 \text{ m/s}^2$

The declared vibration total value may be used for comparing one tool with another, and may also be used in a preliminary assessment of exposure.

 **WARNING:** The vibration emission value during actual use of the power tool can differ from the declared value depending on the ways in which the tool is used depending on the following examples and other variations on how the tool is used:

How the tool is used and the materials being cut or drilled.


The tool being in good condition and well maintained.

The use of the correct accessory for the tool and ensuring it is sharp and in good condition.

The tightness of the grip on the handles and if any anti vibration are used.

And the tool is being used as intended by its design and these instructions.

This tool may cause hand-arm vibration syndrome if its use is not adequately managed.

 **WARNING:** To be accurate, an estimation of exposure level in the actual conditions of use should also take account of all parts of the operating cycle such as the times when the tool is switched off and when it is running idle but not actually doing the job. This may significantly reduce the exposure level over the total working period.

Helping to minimise your vibration exposure risk.

ALWAYS use sharp chisels, drills and blades.

Maintain this tool in accordance with these instructions and keep well lubricated (where appropriate).

If the tool is to be used regularly then invest in anti vibration and noise accessories.

Plan your work schedule to spread any high vibration tool use across a number of days.

Troubleshooting

General troubleshooting

The following chart lists problem symptoms, possible causes and corrective action, if your nail and staple gun does not operate properly. If these do not identify and correct the problem, contact your service agent.



WARNING: Always switch the product off, disconnect it from power supply and let the product cool down before performing inspection, maintenance and cleaning work!

Problem	Possible cause	Solution
Product does not start.	1.1 Not connected to power supply. 1.2 Product not switched on. 1.3 Power cord or plug is defective. 1.4 Other electrical defect to the product.	1.1 Connect to power supply. 1.2 Press down the "I" on the on/off switch. 1.3 Contact customer service. 1.4 Contact customer service.
Product does not reach full power.	2.1 Extension cord not suitable for operation with the product. 2.2 Power source has too low voltage.	2.1 Use a proper extension cord. 2.2 Connect to another power source.
Nails/staples jam in tool.	3.1 Wrong size nails/staples 3.2 Bent nails/staples.	3.1 Use only recommended nails/staples. 3.2 Discontinue using these nails/staples.

Guarantee

Dear Customer,

In the unlikely event that your device develops a fault, please contact our Customer service department on the telephone number shown below (0345 605 2065).

1. These guarantee terms cover additional guarantee rights and do not affect your statutory warranty rights. Claims must be accompanied by Proof of Purchase. This must be in the form of a Sales receipt or Bank statement and must show that the product has been purchased within 2 years prior to the claim, from the retailer that it was originally sold to.
2. Our guarantee covers problems caused by material or manufacturing defects, and will result in the repair of these defects or replacement of the device with a like for like or similar article. Please note that our devices have not been designed for use in commercial, trade or industrial applications. Consequently, the guarantee is invalidated if the equipment is used in commercial, trade or industrial applications or for other equivalent activities.
3. The following are also excluded from our guarantee :
 - A. Faults due to accidents, customer misuse or unauthorized repairs
 - B. Failure due to lack of routine maintenance.
 - C. Failure as a result of not using the equipment in accordance with the manual and safety instructions
 - D. The adjustment of cables.
4. The guarantee is valid for a period of 2 years starting from the purchase date of the device. Guarantee claims should be submitted before the end of the guarantee period within two weeks of the defect being noticed. No guarantee claims will be accepted after the end of the guarantee period. The original guarantee period remains applicable to the device even if repairs are carried out or parts are replaced. In such cases, the work performed or parts fitted will not result in an extension of the guarantee period, and no new guarantee will become active for the work performed or parts fitted. This also applies when an on-site Service is used.
5. Please keep your sales receipt in a safe place. If it is covered by our guarantee, your device will either be repaired under the terms of the guarantee or we will send you a replacement device.