



**MCGREGOR**

# INSTRUCTION MANUAL

- Please retain for future reference



## 300W ELECTRIC MULTI TOOL

SKU: 7848973 (Model: MCEMT30)

**Important - Please read these instructions fully before using the product.**

These instructions contain important information that will help you get the best from your product, ensuring it is operated correctly and safely. If you need help or have damaged or missing parts, call the Customer Helpline on 0345 6052065

**AFTER SALES SUPPORT  
0345 605 2065**

# Contents

Safety information.....	3
In the box.....	9
Preparation.....	10
Operation.....	11
Working hints.....	13
Maintenance.....	13
Spare parts.....	13
Technical data.....	14
Troubleshooting.....	15
Guarantee.....	16

Produced in China for Argos Limited, London, EC1M 6HA, UK.  
Argos (N.I.) Ltd., Forestside Shopping Centre, Upper Galwally,  
Belfast, BT8 6FX, UK.

## Safety information

Important - Please read these instructions fully before use

### General safety



#### **WARNING!**

Keep this instruction manual in a safe place for reference at a later date.

Always ensure anyone intending to operate this multi tool is fully conversant with the contents of this manual prior to assembling, maintaining or operating the multi tool.

Failure to observe this warning may lead to serious injury, death, or damage to the multi tool.

Always take care when removing the packaging to prevent damage to you or to the multi tool.

# Safety information

**Important - Please read these instructions fully before use**

## Personal safety



### **WARNING!**

Only operate the multi tool if you are wearing the correct Personal Protective Equipment (PPE) as described in the following warnings.

## Warning symbols

Some of the following symbols may be marked on the product and indicate the appropriate safety measures to be taken when operating the product.



To reduce the risk of injury, user must read instruction manual



Warning



Wear ear protection



Wear eye protection



Wear dust mask



Double insulation



Waste electrical products must not be disposed of with household waste. Please recycle where facilities exist. Check with your local authorities or retailer for recycling advice.



Conforms to relevant EU regulatory requirements



Conforms to relevant UK regulatory requirements

# Safety information

Important - Please read these instructions fully before use

## General power tool safety warnings

### **WARNING!**

**Read all safety warnings, instructions, illustrations and specifications provided with this power tool.** *Failure to follow all instructions listed below may result in electric shock, fire and/or serious injury.*

**Save all warnings and instructions for future reference.** *The term “power tool” in the warnings refers to your mains-operated (corded) power tool or battery-operated (cordless) power tool.*

#### **1) Work area safety**

- a) **Keep work area clean and well lit.** *Cluttered or dark areas invite accidents.*
- b) **Do not operate power tools in explosive atmospheres, such as in the presence of flammable liquids, gases or dust.** *Power tools create sparks which may ignite the dust or fumes.*
- c) **Keep children and bystanders away while operating a power tool.** *Distractions can cause you to lose control.*

#### **2) Electrical safety**

- a) **Power tool plugs must match the outlet. Never modify the plug in any way. Do not use any adapter plugs with earthed (grounded) power tools.** *Unmodified plugs and matching outlets will reduce risk of electric shock.*
- b) **Avoid body contact with earthed or grounded surfaces, such as pipes, radiators, ranges and refrigerators.** *There is an increased risk of electric shock if your body is earthed or grounded.*
- c) **Do not expose power tools to rain or wet conditions.** *Water entering a power tool will increase the risk of electric shock.*

## Safety information

**Important - Please read these instructions fully before use**

### **General power tool safety warnings**

- d) Do not abuse the cord. Never use the cord for carrying, pulling or unplugging the power tool. Keep cord away from heat, oil, sharp edges or moving parts. *Damaged or entangled cords increase the risk of electric shock.***
- e) When operating a power tool outdoors, use an extension cord suitable for outdoor use. *Use of a cord suitable for outdoor use reduces the risk of electric shock.***
- f) If operating a power tool in a damp location is unavoidable, use a residual current device (RCD) protected supply. *Use of an RCD reduces the risk of electric shock.***

### **3) Personal safety**

- a) Stay alert, watch what you are doing and use common sense when operating a power tool. Do not use a power tool while you are tired or under the influence of drugs, alcohol or medication. *A moment of inattention while operating power tools may result in serious personal injury.***
- b) Use personal protective equipment. Always wear eye protection. *Protective equipment such as dust mask, non-skid safety shoes, hard hat, or hearing protection used for appropriate conditions will reduce personal injuries.***
- c) Prevent unintentional starting. Ensure the switch is in the off-position before connecting to power source and/or battery pack, picking up or carrying the tool. *Carrying power tools with your finger on the switch or energising power tools that have the switch on invites accidents.***
- d) Remove any adjusting key or wrench before turning the power tool on. *A wrench or a key left attached to a rotating part of the power tool may result in personal injury.***
- e) Do not overreach. Keep proper footing and balance at all times. *This enables better control of the power tool in unexpected situations.***
- f) Dress properly. Do not wear loose clothing or jewellery.**

# Safety information

**Important - Please read these instructions fully before use**

## **General power tool safety warnings**

**Keep your hair and clothing away from moving parts.** *Loose clothes, jewellery or long hair can be caught in moving parts.*

- g) If devices are provided for the connection of dust extraction and collection facilities, ensure these are connected and properly used.** *Use of dust collection can reduce dust-related hazards.*
- h) Do not let familiarity gained from frequent use of tools allow you to become complacent and ignore tool safety principles.** *A careless action can cause severe injury within a fraction of a second.*

### **4) Power tool use and care**

- a) Do not force the power tool. Use the correct power tool for your application.** *The correct power tool will do the job better and safer at the rate for which it was designed.*
- b) Do not use the power tool if the switch does not turn it on and off.** *Any power tool that cannot be controlled with the switch is dangerous and must be repaired.*
- c) Disconnect the plug from the power source and/ or remove the battery pack, if detachable, from the power tool before making any adjustments, changing accessories, or storing power tools.** *Such preventive safety measures reduce the risk of starting the power tool accidentally.*
- d) Store idle power tools out of the reach of children and do not allow persons unfamiliar with the power tool or these instructions to operate the power tool.** *Power tools are dangerous in the hands of untrained users.*
- e) Maintain power tools and accessories. Check for misalignment or binding of moving parts, breakage of parts and any other condition that may affect the power tool's operation. If damaged, have the power tool repaired before use.** *Many accidents are caused by poorly*

## Safety information

**Important - Please read these instructions fully before use**

### **General power tool safety warnings**

*maintained power tools.*

- f) Keep cutting tools sharp and clean.** *Properly maintained cutting tools with sharp cutting edges are less likely to bind and are easier to control.*
- g) Use the power tool, accessories and tool bits etc. in accordance with these instructions, taking into account the working conditions and the work to be performed.** *Use of the power tool for operations different from those intended could result in a hazardous situation.*
- h) Keep handles and grasping surfaces dry, clean and free from oil and grease.** *Slippery handles and grasping surfaces do not allow for safe handling and control of the tool in unexpected situations.*

#### **5) Service**

- a) Have your power tool serviced by a qualified repair person using only identical replacement parts.** *This will ensure that the safety of the power tool is maintained.*

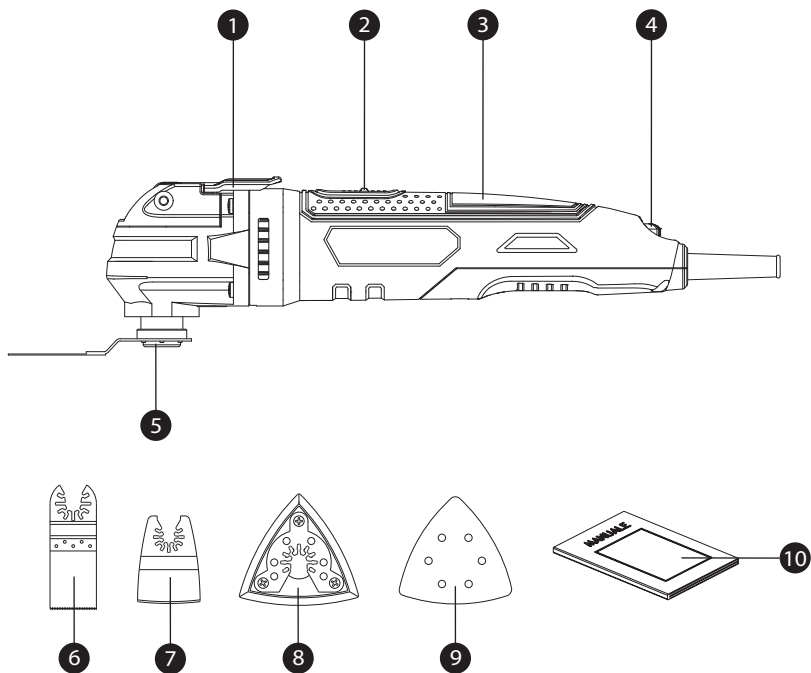
### **Safety instruction for cutting**

**Hold the power tool by insulated gripping surfaces, when performing an operation where the cutting accessory may contact hidden wiring or its own cord.** *Cutting accessory contacting a “live” wire may make exposed metal parts of the power tool “live” and could give the operator an electric shock.*

# In the box

## Parts


- |                                |                        |
|--------------------------------|------------------------|
| 1 Tool-free blade change lever | 6 Plunge cutting blade |
| 2 On/Off switch                | 7 Rigid scraping blade |
| 3 Grip area                    | 8 Sanding pad          |
| 4 Variable speed dial          | 9 Sanding sheet        |
| 5 Flange                       | 10 Instruction manual  |





# Preparation

## Preparing instructions

### 1. ASSEMBLING ACCESSORIES (SEE FIG. A1, A2)

 **WARNING:** Before operating your tool, make sure that the power cord cannot be damaged. Unplug the machine before mounting or replacing blades or accessories. This preventative safety measure eliminates danger from accidentally starting the power tool.

 **CAUTION:** For all work or when changing accessories, always wear protective gloves. Avoid danger of injury from the sharp edges of the accessories. Accessories can become very hot while working, presenting danger of burns!

 **WARNING:** To reduce the risk of injury, do not let the sharp side of the accessory face back toward the user's hand.

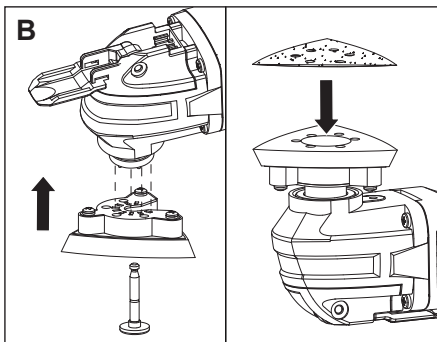
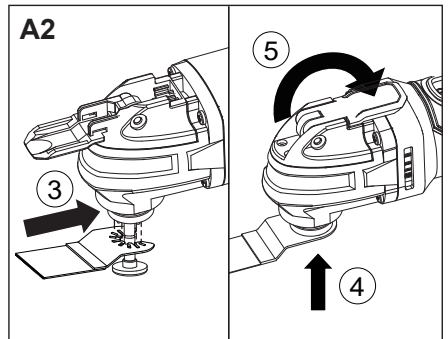
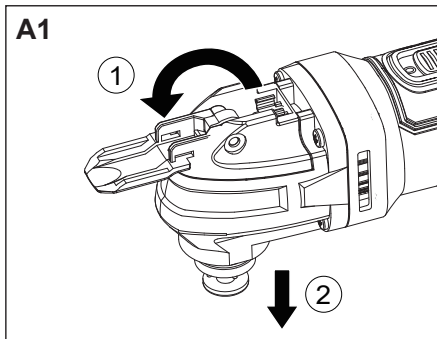
Flip the tool-free blade change lever forward to the open position and take off the flange from the machine. Insert the accessory onto the blade interface and ensure the accessory is on the right position of the blade interface.

Re-insert the flange, press the flange to keep the blade or other accessory temporarily secure. Flip the tool-free blade change lever back to original position to secure the accessory.

### 2. ASSEMBLING/CHANGING THE SANDING SHEET (SEE FIG. B)

1) Please follow the same steps as "ASSEMBLING ACCESSORIES" to assemble/change the sanding pad.

2) Align the sanding sheet with the sanding pad and press it onto the pad with your hands. Firmly press the tool with the installed sanding sheet against a flat surface and briefly switch the power tool on. This provides for good adhesion and prevents premature wear.



# Operation

## Operating instructions

### INTENDED USE

The power tool is intended for sawing and remodelling wooden materials, plastic, plaster, non-ferrous metals and fasteners (e.g. nails and clamps) as well as for working on soft wall tiles and for dry grinding of small surfaces. It is especially suitable for working close to edges and for flush cutting.

### 1. OPERATING THE ON/OFF SWITCH (SEE FIG. C)

To start the power tool, push the on/off switch forward so that the "I" mark is indicated on the switch.

To switch off the machine, push the on/off switch toward the rear so that the "0" mark is indicated on the switch.

### 2. USING THE VARIABLE SPEED DIAL (SEE FIG. D)

Select oscillation frequency (speed) while the motor is running.

The variable speed dial can be used to set the optimum oscillating frequency according to the accessories used and the respective application.

High oscillation frequency:

- Sanding, sawing, rasping and polishing stone and metal.

Low oscillation frequency:

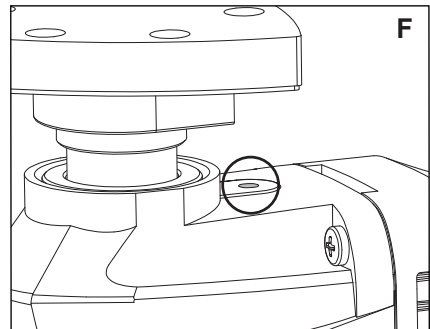
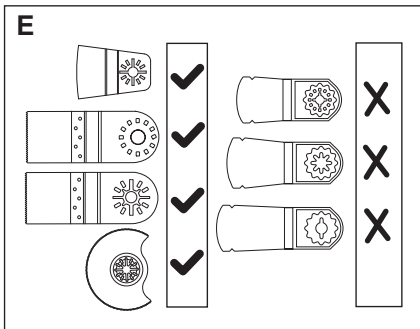
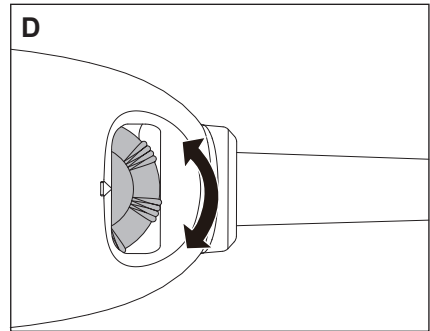
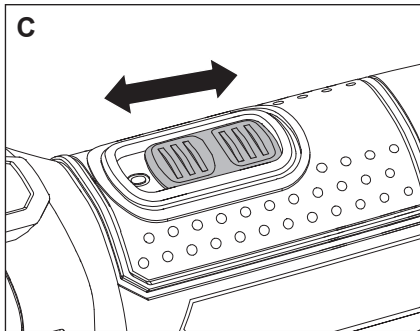
- Scraping, polishing varnishes.

### 3. SELECTING AN APPLICATION TOOL (SEE FIG. E)

Refer to Fig. F for the applicable blade (relate to the fitting hole pattern) for your machine. Please observe the accessories intended for your machine. Do not attempt to use accessories that are incompatible.

### 4. INSTALLING DUST COLLECTION DEVICE (NOT SUPPLIED) (SEE FIG. F)

The hole on the machine can be used to attach the dust collection device.



# Operation

## Operating instructions



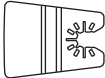
### APPLICATION



**WARNING:** The saw teeth are very sharp. Do not touch during mounting and application. The workpiece must be clamped tightly before it is cut.

### UNIVERSAL ACCESSORIES

**NOTE:** Accessories also work with other competitive oscillating tools.

	Pic	Name	Application
Sawing		Plunge cutting blade	Wood, plastic, fiberglass, nails, non-ferrous metals, thin sheet metal, hardened fillers
Sanding		Sanding pad	Wood, plastic, hardened fillers
Scraping		Rigid Scraping Blade	Old paint, hardened adhesives, caulk, carpet

# Working hints

## Working hints

- 1) When plunging and sawing, use a slight pendulum motion to allow sufficient chip removal.
- 2) The saw blade lasts longer if the wear is distributed evenly. To ensure an even distribution, loosen the saw blade, rotate it and retighten firmly.
- 3) Cut/sand with a constant movement and light pressure.
- 4) Heavy pressure does not increase the cut/removal rate – the accessory merely wears faster.
- 5) If your power tool becomes too hot, especially when used at low speed, set the speed to maximum and run it with no load for 2-3 minutes to cool the motor. Avoid prolonged usage at very low speeds.
- 6) Always ensure the workpiece is firmly held or clamped to prevent movement.
- 7) Do not start sanding without having the sanding sheet fitted.
- 8) Use coarse grit sanding sheets to sand rough surfaces, medium grit for smooth surfaces and fine grit for finishing surfaces. If necessary, first make a test run on scrap material.

# Maintenance

## Maintenance

**Remove the plug from the socket before carrying out any adjustment, servicing or maintenance.**

Your power tool requires no additional lubrication or maintenance. There are no user serviceable parts in your power tool. Never use water or chemical cleaners to clean your power tool. Wipe clean with a dry cloth. Always store your power tool in a dry place. Keep the motor ventilation slots clean. Keep all working controls free of dust. Occasionally you may see sparks through the ventilation slots. This is normal and will not damage your power tool.

If the supply cord is damaged, it must be replaced by the manufacturer, its service agent or similarly qualified persons in order to avoid a hazard.

# Spare parts

## Spare parts

Rigid scraping blade	1
Plunge cutting blade--wood	1
Sanding pad	1
Sanding sheets (60/80/100/120 grit)	4

# Technical data

## Technical data table

Model number	<b>MCENT30</b>
Rated voltage	230-240V~50Hz
Rated power	300W
No load speed	11000-21000 /min
Oscillation angle	3.0°
Protection class	□/II
Machine weight	1.5kg

## Noise and vibration technical data

### NOISE INFORMATION

A weighted sound pressure

$L_{pA} = 87 \text{ dB(A)}$

A weighted sound power

$K_{pA} = 3 \text{ dB(A)}$

$L_{wA} = 95 \text{ dB(A)}$

$K_{wA} = 3 \text{ dB(A)}$

**Wear ear protection.**

### VIBRATION INFORMATION


Vibration total values (triax vector sum) determined according to EN 62841:

Vibration emission value:

$a_n = 4,26 \text{ m/s}^2$       Uncertainty  $K = 1,5 \text{ m/s}^2$

The declared vibration total value and the declared noise emission value have been measured in accordance with a standard test method and may be used for comparing one tool with another.

The declared vibration total value and the declared noise emission value may also be used in a preliminary assessment of exposure.


 **WARNING:** The vibration and noise emissions during actual use of the power tool can differ from the declared value depending on the ways in which the tool is used especially what kind of workpiece is processed depending on the following examples and other variations on how the tool is used: How the tool is used and the materials being cut or drilled. The tool being in good condition and well maintained.

The use of the correct accessory for the tool and ensuring it is sharp and in good condition.

The tightness of the grip on the handles and if any anti vibration are used.

And the tool is being used as intended by its design and these instructions.

**This tool may cause hand-arm vibration syndrome if its use is not adequately managed.**

 **WARNING:** To be accurate, an estimation of exposure level in the actual conditions of use should also take account of all parts of the operating cycle such as the times when the tool is switched off and when it is running idle but not actually doing the job. This may significantly reduce the exposure level over the total working period.

Helping to minimise your vibration exposure risk.

Always use sharp chisels, drills and blades.

Maintain this tool in accordance with these instructions and keep well lubricated (where appropriate).

If the tool is to be used regularly then invest in anti vibration and noise accessories.

Plan your work schedule to spread any high vibration tool use across a number of days.

# Troubleshooting

## General troubleshooting

The following chart lists problem symptoms, possible causes and corrective action, if your multi tool does not operate properly. If these do not identify and correct the problem, contact your service agent.



**WARNING:** Always switch the product off, disconnect it from power supply and let the product cool down before performing inspection, maintenance and cleaning work!

Problem	Possible cause	Solution
The tool is not operating.	1.1 Not connected to power supply. 1.2 Power cord or plug is defective.	1.1 Connect to power supply. 1.2 Contact customer service.
Sawing/sanding performance too low.	2.1 The accessory is not suitable for the material. 2.2 The accessory is worn.	2.1 Fit an appropriate accessory. 2.2 Fit a new accessory.

# Guarantee

Dear Customer,

In the unlikely event that your device develops a fault, please contact our Customer service department on the telephone number shown below (0345 605 2065).

1. These guarantee terms cover additional guarantee rights and do not affect your statutory warranty rights. Claims must be accompanied by Proof of Purchase. This must be in the form of a Sales receipt or Bank statement and must show that the product has been purchased within 2 years prior to the claim, from the retailer that it was originally sold to.
2. Our guarantee covers problems caused by material or manufacturing defects, and will result in the repair of these defects or replacement of the device with a like for like or similar article. Please note that our devices have not been designed for use in commercial, trade or industrial applications. Consequently, the guarantee is invalidated if the equipment is used in commercial, trade or industrial applications or for other equivalent activities.
3. The following are also excluded from our guarantee :
  - A. Faults due to accidents, customer misuse or unauthorized repairs
  - B. Failure due to lack of routine maintenance.
  - C. Failure as a result of not using the equipment in accordance with the manual and safety instructions
  - D. The adjustment of cables.
4. The guarantee is valid for a period of 2 years starting from the purchase date of the device. Guarantee claims should be submitted before the end of the guarantee period within two weeks of the defect being noticed. No guarantee claims will be accepted after the end of the guarantee period. The original guarantee period remains applicable to the device even if repairs are carried out or parts are replaced. In such cases, the work performed or parts fitted will not result in an extension of the guarantee period, and no new guarantee will become active for the work performed or parts fitted. This also applies when an on-site Service is used.
5. Please keep your sales receipt in a safe place. If it is covered by our guarantee, your device will either be repaired under the terms of the guarantee or we will send you a replacement device.