

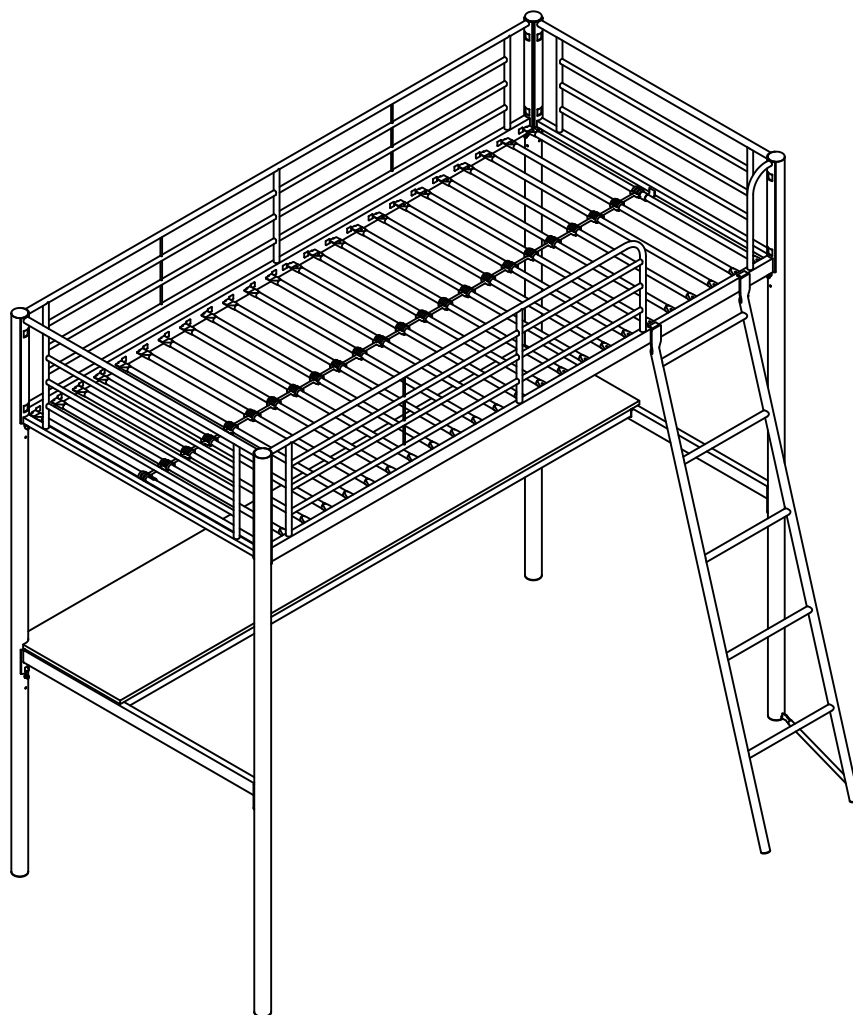
METAL HIGH SLEEPER WITH DESK

IMPORTANT – READ CAREFULLY – RETAIN FOR FUTURE REFERENCE

764/4878

816/5459

H O
M E
BY ARGOS



Dimensions

Width - 198.4cm

Depth - 96.2cm

Height - 182.9cm

Important - Please read these instructions fully before starting assembly

If you need have damaged or missing parts, call the **Customer Helpline:**
Argos = 0345 6400800



Safety and Care Advice

Important – Please read these instructions fully before starting assembly

- Check you have all the components and tools listed on the following pages.
- Remove all fittings from the plastic bags and separate them into their groups.
- Keep children and animals away from the work area, small parts could choke if swallowed.
- Parts of the assembly will be easier with 2 people.
- Make sure you have enough space to layout the parts before starting.
- Assemble the item as close to its final position (in the same room) as possible.
- Dispose of all packaging carefully and responsibly.
- Place the product on flat and steady surface during use.
- Assemble on a soft level surface to avoid damaging the unit or your floor.
- Keep these instructions for further use.
- To ensure an easier assembly we strongly advise that all fittings are only finger tightened during initial assembly. Only upon completion of the assembly should all fixing points be fully tightened.

Care and maintenance

- Only clean using a damp cloth and mild detergent, do not use bleach or abrasive cleaners.
- From time to time check that there are no loose screws on this unit.
- This product should not be discarded with household waste. Take to your local authority waste disposal center.

Handy Hints

- Assemble all parts and bolts loosely during assembly, only once the product is complete should you fully tighten the bolts
- Regularly check and ensure that all bolts and fittings are tightened properly.



Safety and Care Advice

Important – Please read these instructions fully before starting assembly

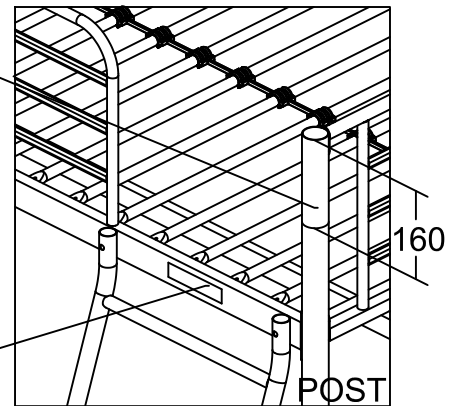


Important: Please note the maximum mattress height is indicated on the vertical bar on the left hand side of the opening at the top of the ladder.

This is legal requirement and it is vital that the mattress do not exceed this mark.

Note: The maximum thickness of the mattress is 160 mm.

This bunk bed conforms to BS EN 747-1 & -2: 2012 +A1:2015



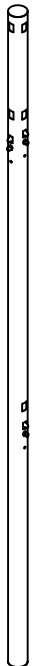
DO NOT REMOVE THE LABEL FROM THE BED

- a) **WARNING** "High beds and the upper bed of bunk beds are not suitable for children under six years due to the risk of injury from falls";
- b) **WARNING** "Bunk beds and high beds can present a serious risk of injury from strangulation if not used correctly. Never attach or hang items to any part of the bunk bed that are not designed to be used with the bed, for example, but not limited to ropes, strings, cords, hooks, belts and bags"
- c) **WARNING** "Children can become trapped between the bed and the wall, a roof pitch, the ceiling, adjoining pieces of furniture (e.g. cupboards) and the like. To avoid risk of serious injury the distance between the top safety barrier and the adjoining structure shall not exceed 75 mm or shall be more than 230 mm";
- d) **WARNING** Do not use the bunk bed/high bed if any structural part is broken or missing;
- e) It is essential that the manufacturer's instructions on assembly and use are followed;
- f) The recommended size of the mattress to be used with the bed is 1900mm x 900mm, Maximum mattress thickness:160mm;
- g) Mattresses must be aired to maintain a low humidity and to stop moisture building up in the bed and its surroundings;
- h) The fastenings put in place on assembly should all be properly tightened and regularly checked. Re-tighten the fastenings as necessary;
- i) This complies with the requirements of the European Safety Standard BS EN 747-1 & -2: 2012 +A1:2015.
- j) Do not allow more than 1 person on the upper bunk at one time.
- k) Do not use substitute parts. Contact your retailer for replacement parts.
- l) Assembly to be carried out by a competent adult only.
- m) During assembly children should be kept away from the product due to possible risk of injury.
- n) Do not use this item if any components are missing or damaged.
- o) This product is suitable for children in the age range of children for which the product is 7 – 12 years.
- p) The maximum child weight or load for this the product is 200 Lbs / 91 Kgs.
- q) Bed must be aired to maintain a low humidity and to stop moisture in its surroundings.
- r) The registered retailer: Sainsbury's Argos Asia Ltd
- s) No bolts used in this bed
- t) Regularly check all fastenings to ensure that they properly tightened.

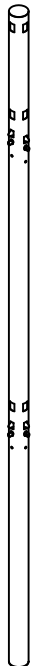
Components - Panels

If you have damaged or missing components, call the
Customer Helpline: Arges = 0345 6400800

Please check you have all the panels listed below



1 Front left Post
(182.9 x 4.5cm)



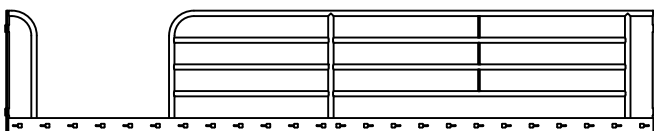
2 Back Left Post
(182.9 x 4.5cm)



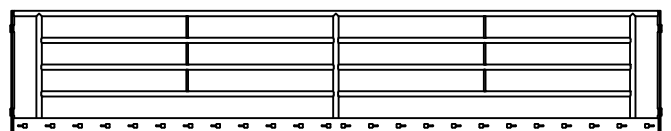
3 Front Right Post
(182.9 x 4.5cm)



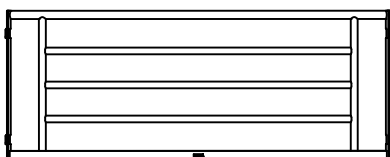
4 Back Right Post
(182.9 x 4.5cm)



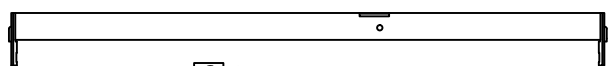
5 Front Guardrail (189.4 x 36cm)



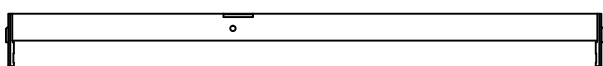
6 Back Guardrail (189.4 x 36cm)



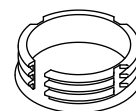
7 Short Guardrail x 2
(87.2 x 34.4cm)



8 Short Rail Tube 01
(87.2 x 7.8cm)



9 Short Rail Tube 02
(87.2 x 7.8cm)

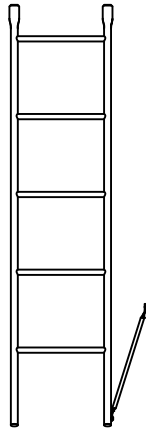


10 Notch End Cap
(4.5 x 1.5cm)

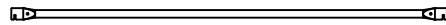
Components - Panels

If you have damaged or missing components, call the
Customer Helpline: Arges = 0345 6400800

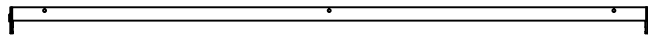
Please check you have all the panels listed below



11 Ladder
(151.4 x 36cm)



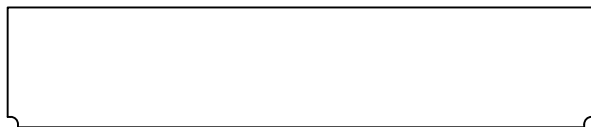
12 Slats x 24
(91.4 x 1.6cm)



13 Back Rail Tube
(189.4 x 7.8cm)



14 Bracket x 2
(4.5 x 1.9cm)



15 Board
(196 x 40cm)



16 Wall Bracket x 2
(8.4 x 4.2cm)



17 Slat Spacer x 23

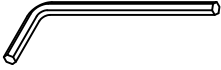


18 Plastic Plug x 48

Components - Fittings

Please check you have all the panels listed below

Note: The quantities below are the correct amount to complete the assembly. In some cases more fittings may be supplied are required.



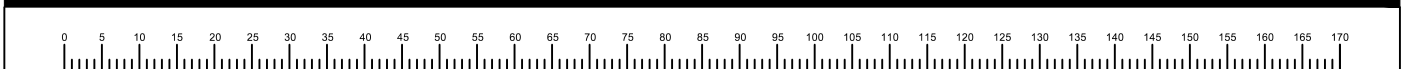
Allen Key x 1

Tools required



Ruler/tape
measure

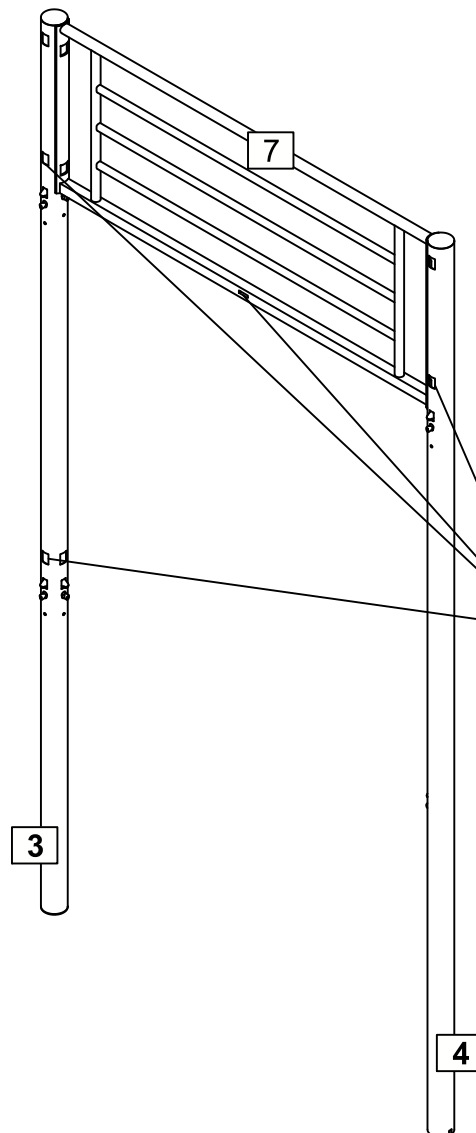
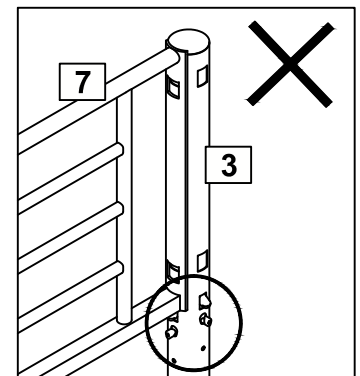
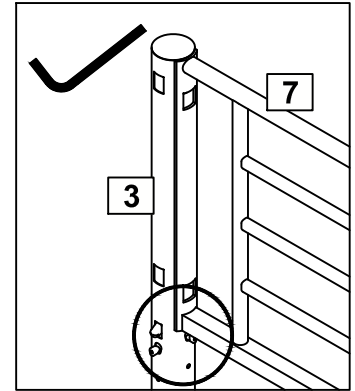
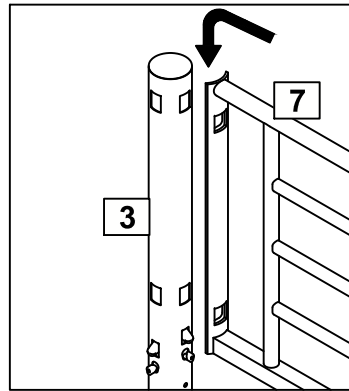
Ruler - User this ruler to help correctly identify the screws




Assembly Instructions

Step 1

Secure the Short Guardrail **7** to Back Right Post **3** and Front Right Post **4**.

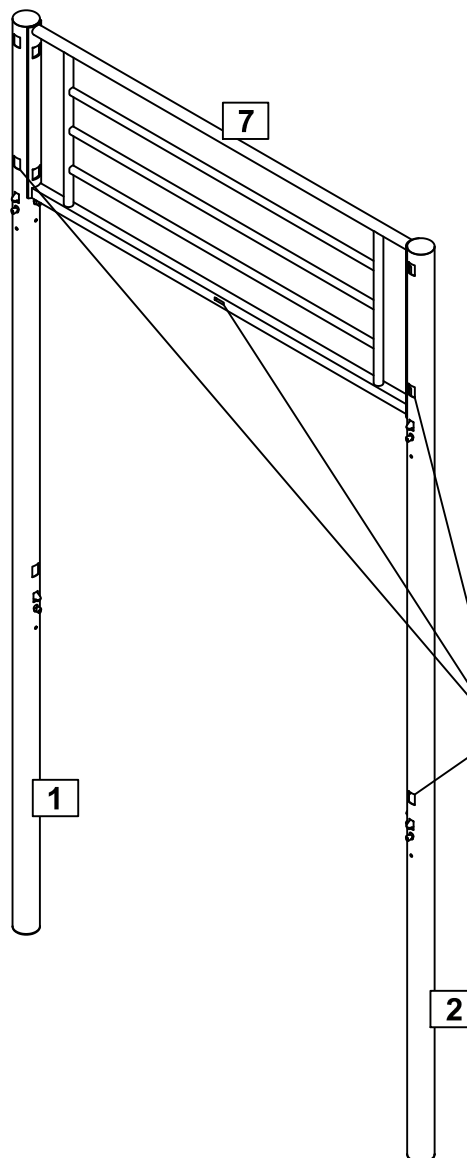
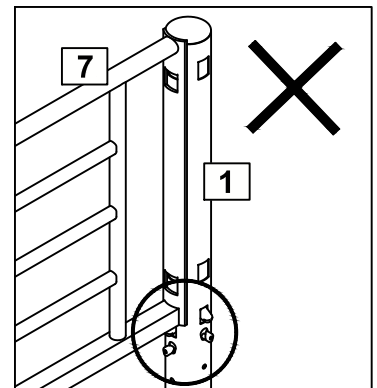
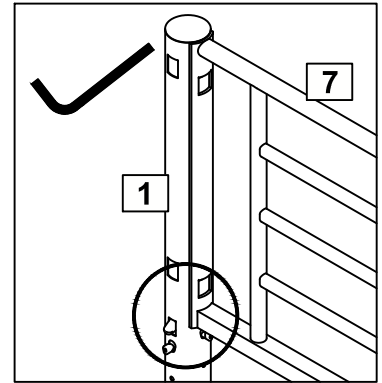
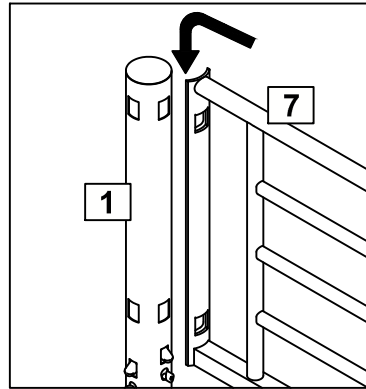


 These holes are in the same side.

Assembly Instructions

Step 2

Secure the Short Guardrail **7** to Front left Post **1** and Back Left Post **2**.

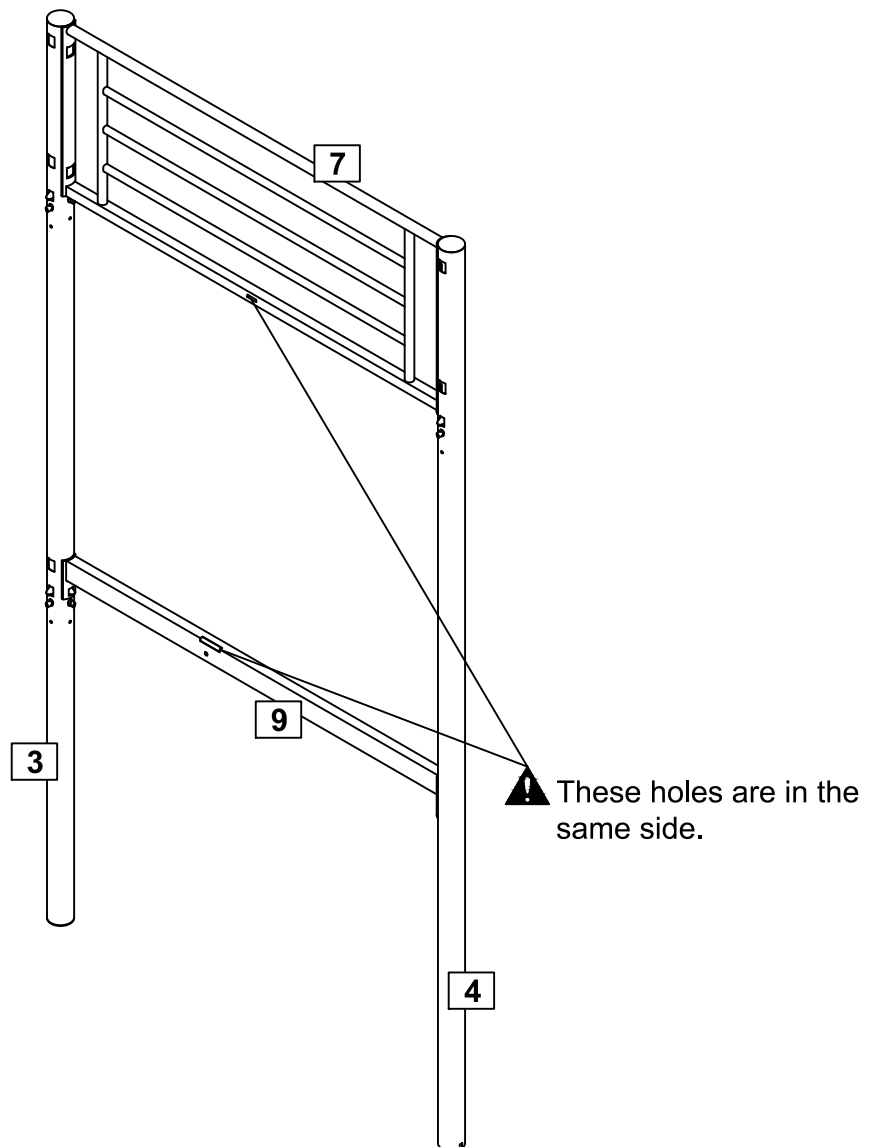
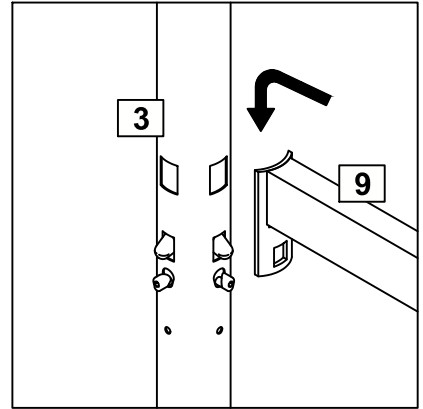


⚠ These holes are in the same side.

Assembly Instructions

Step 3

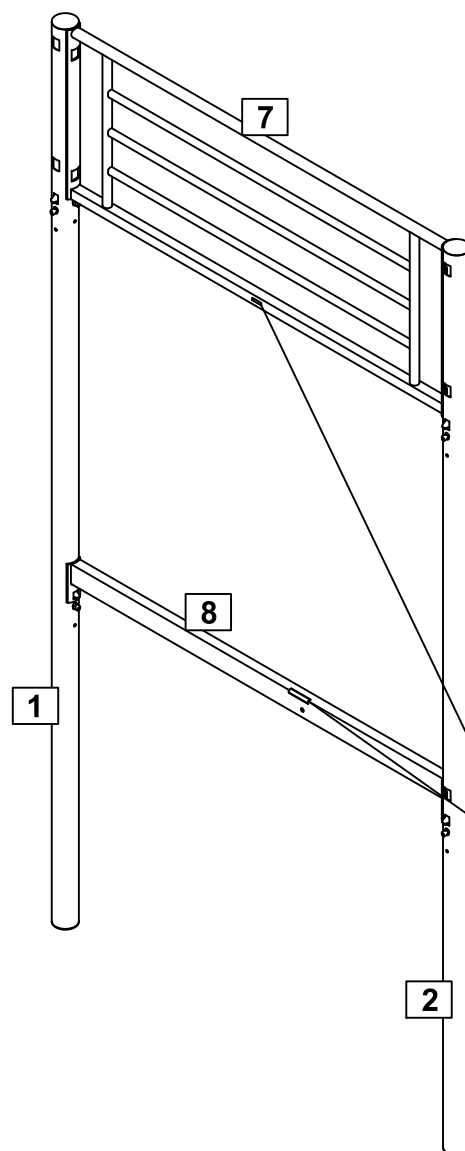
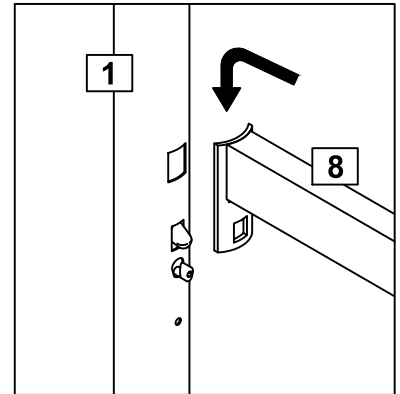
Secure the Short Rail Tube 02 **9** to Back Right Post **3** and Front Right Post **4**.



Assembly Instructions

Step 4

Secure the Short Rail Tube 01 **8** with Front left Post **1** and Back Left Post **2**.

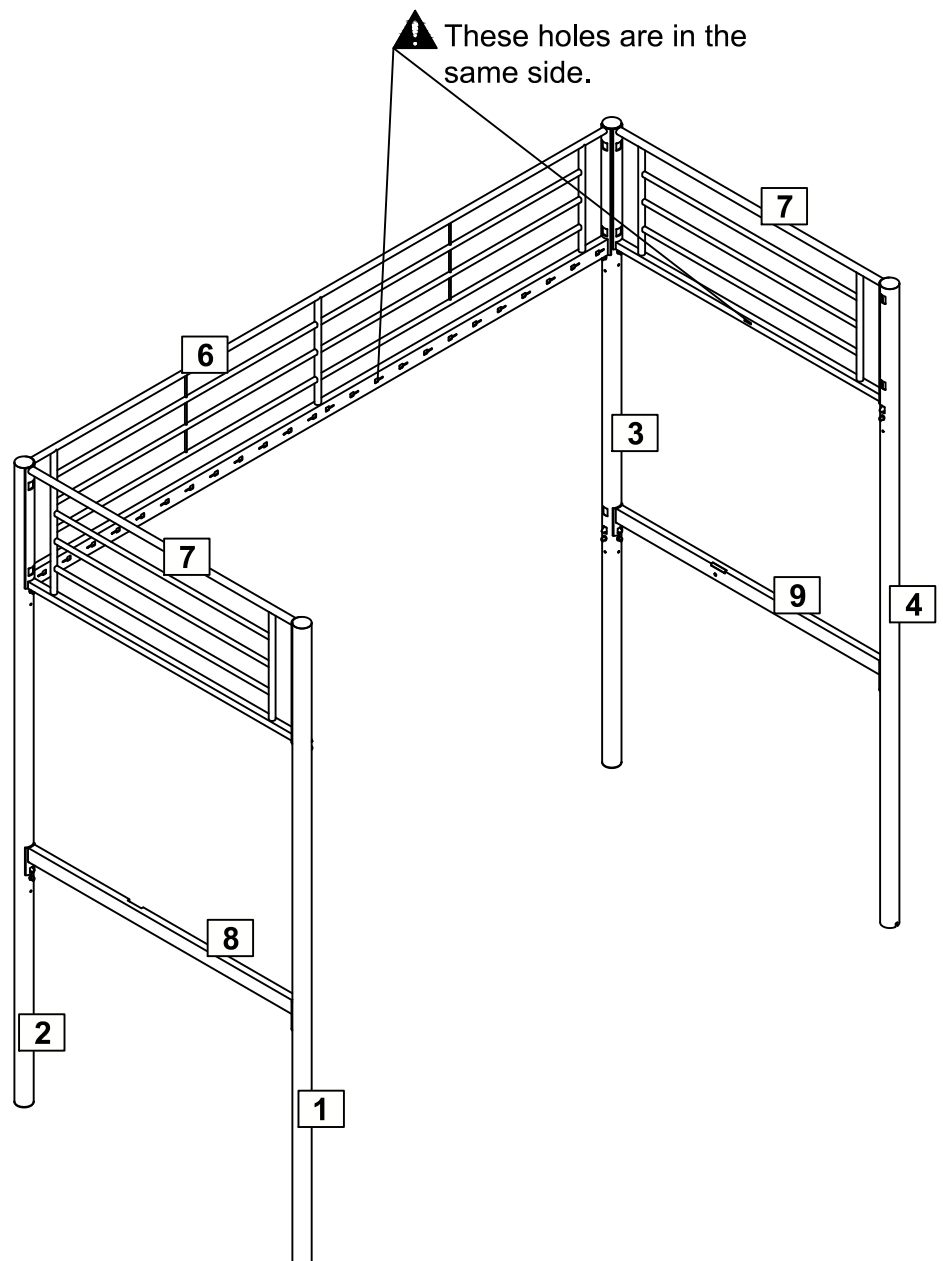
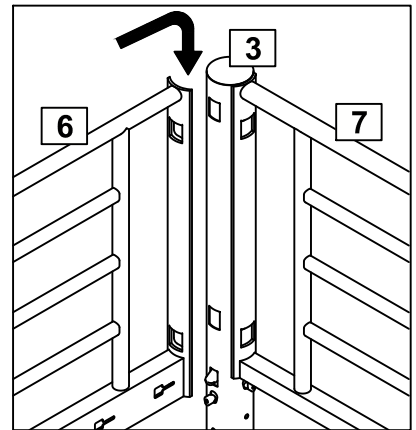


! These holes are in the same side.

Assembly Instructions

Step 5

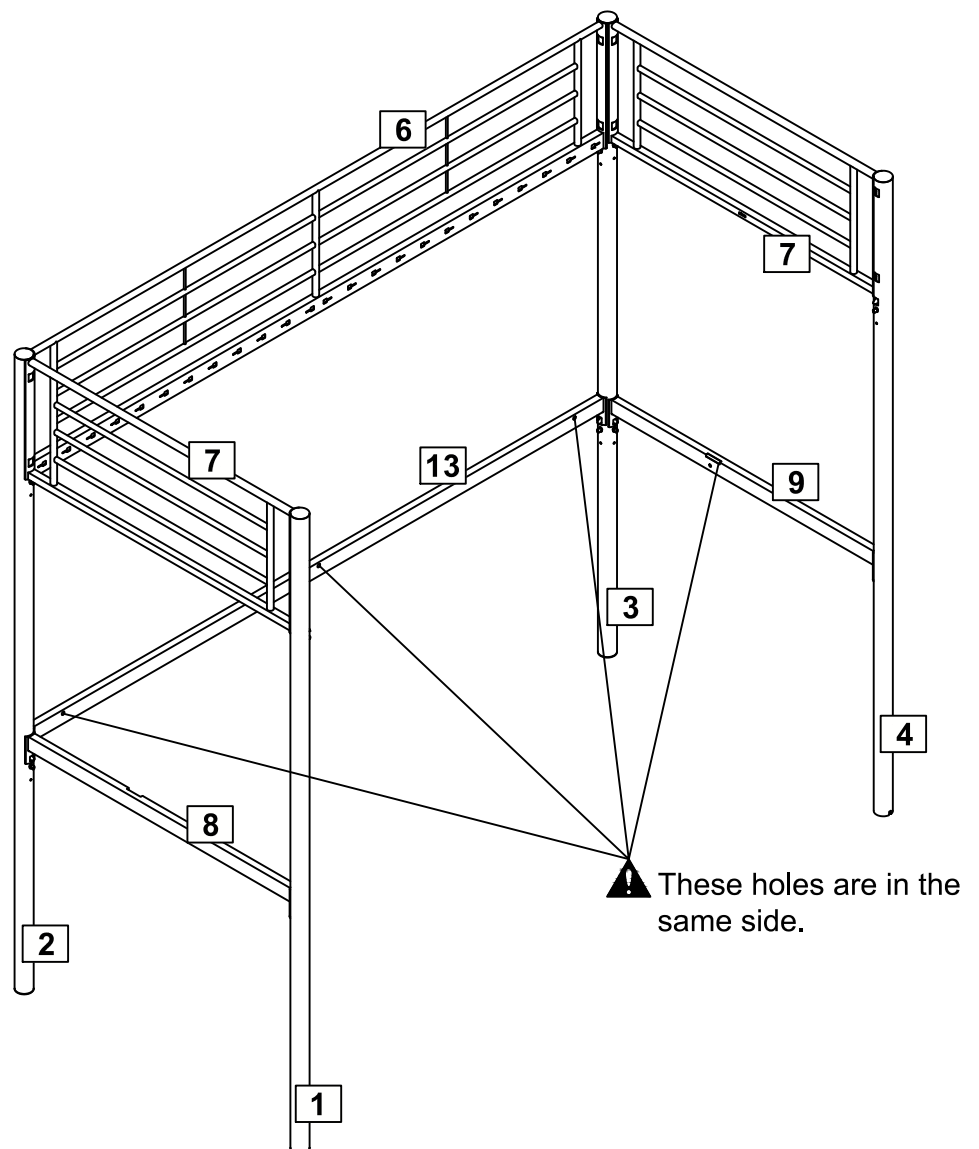
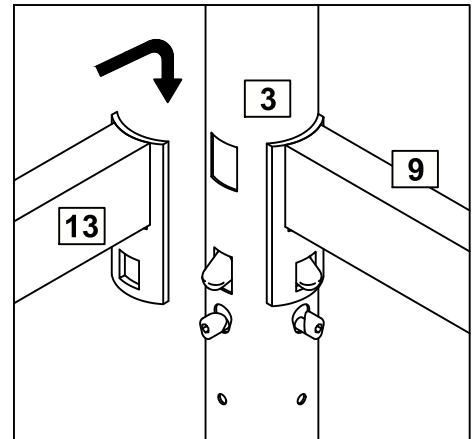
Secure the Back Guardrail **6** to Back Right Post **3** and Back Left Post **2**.



Assembly Instructions

Step 6

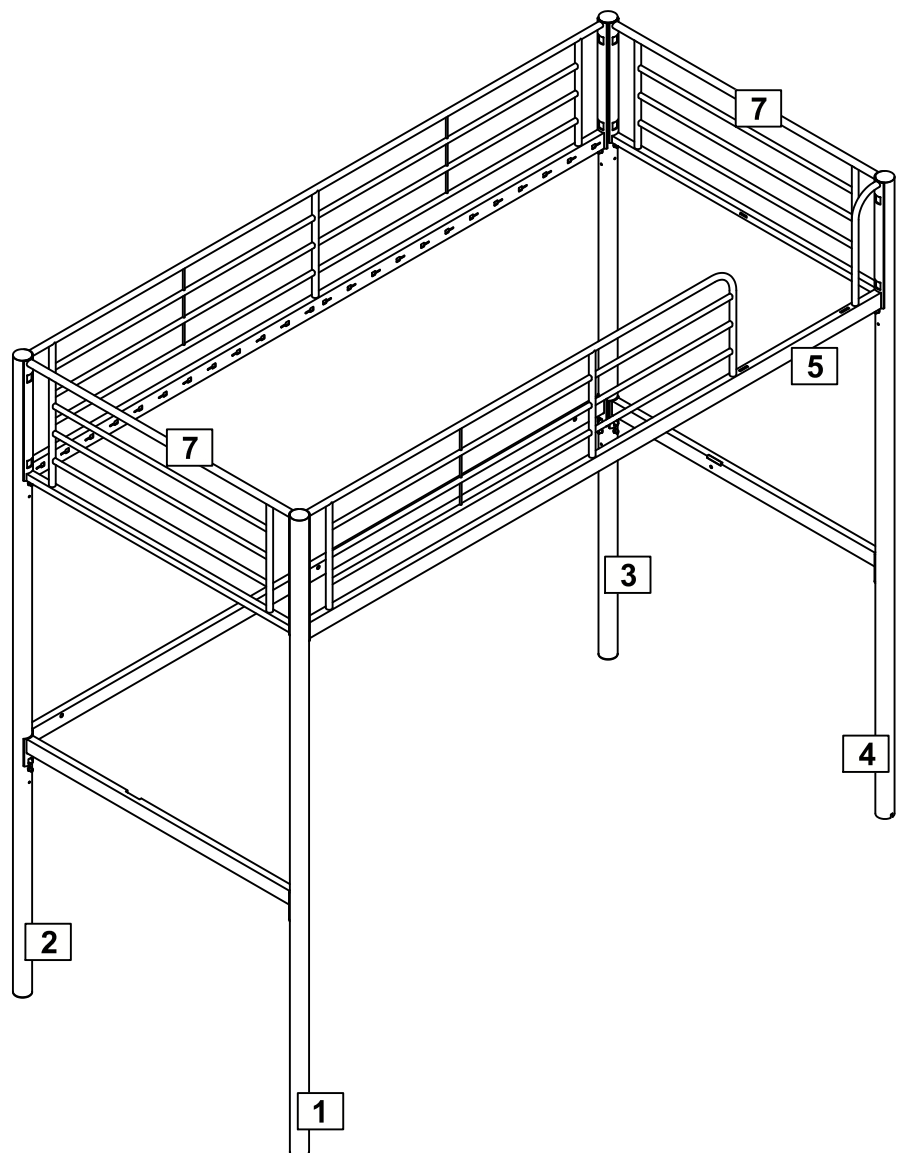
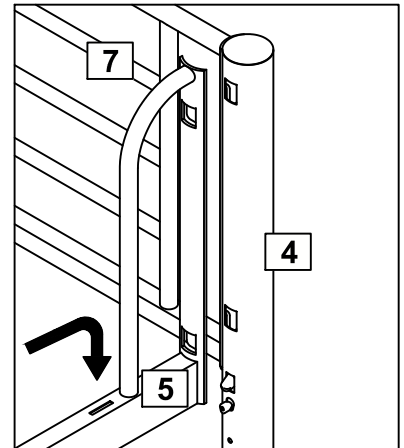
Secure the Back Rail Tube **13** to Back Right Post **3** and Back Left Post **2**.



Assembly Instructions

Step 7

Secure the Front Guardrail **5** to Front Right Post **4** and Front left Post **1**.



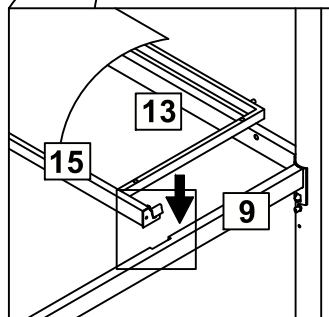
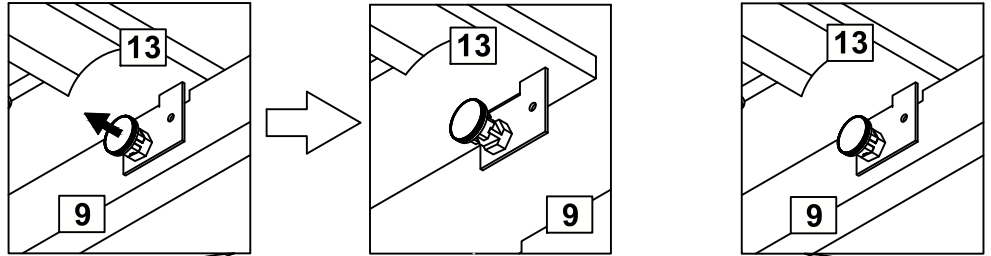
Assembly Instructions

Step 8

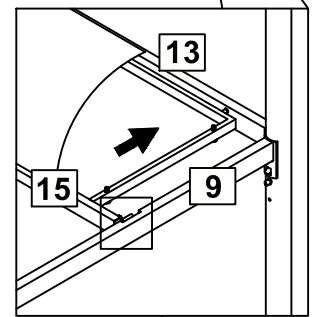
Secure Board **15** to Short Rail Tube 01 **8** and Short Rail Tube 02 **9** and Back Rail Tube **13**.

! Pull out the bolts as illustrate before installing the desk !

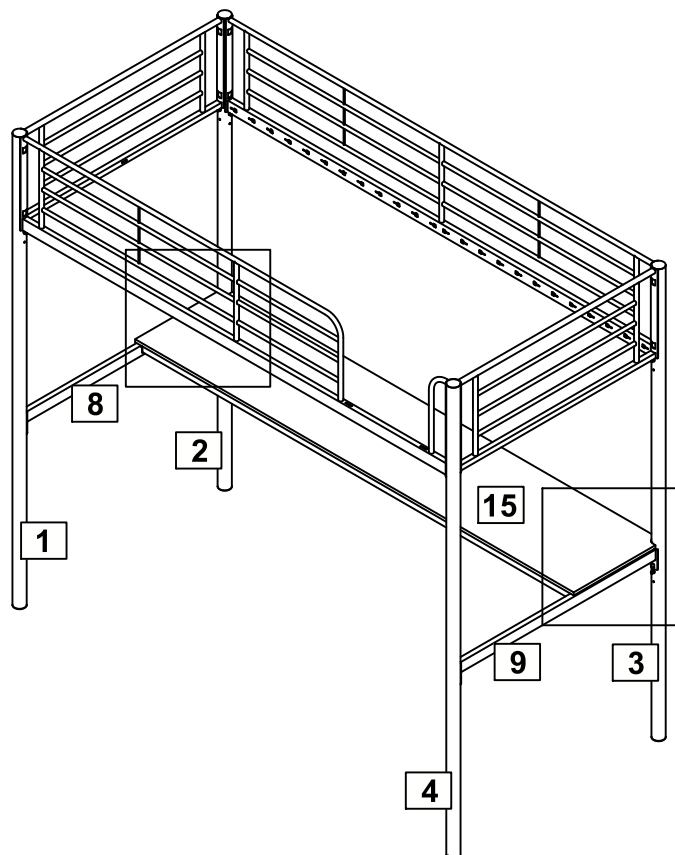
! Keep the bolts as the illustrate state after assembling !



8-1



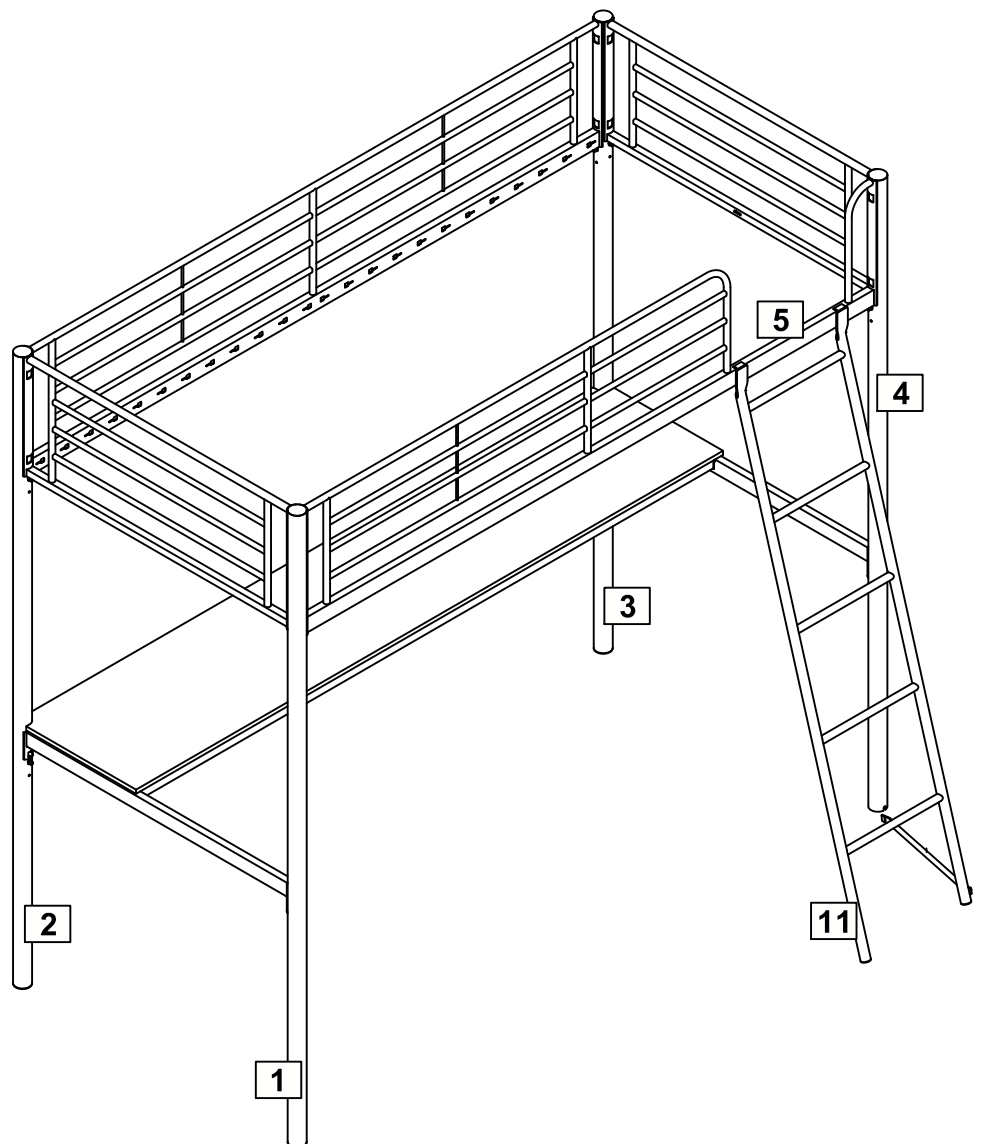
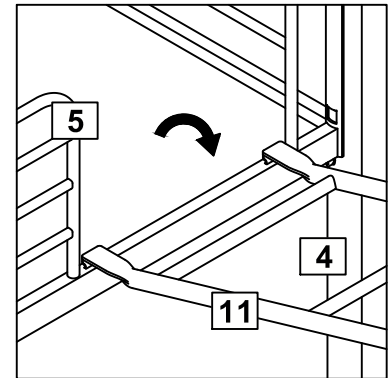
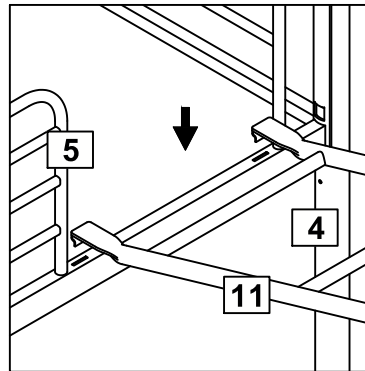
8-2



Assembly Instructions

Step 9

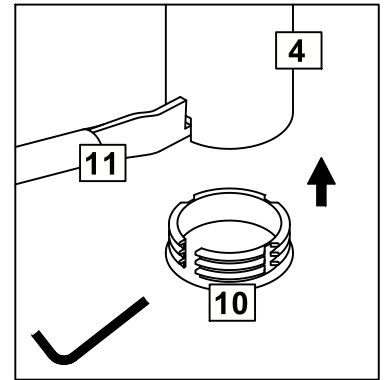
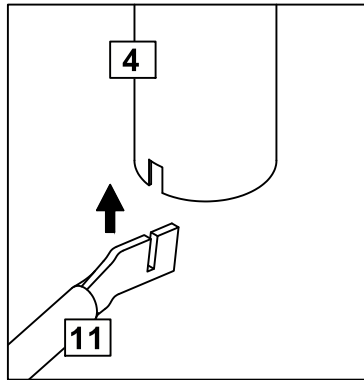
Secure Ladder **11** to Short Front Guardrail **5**.



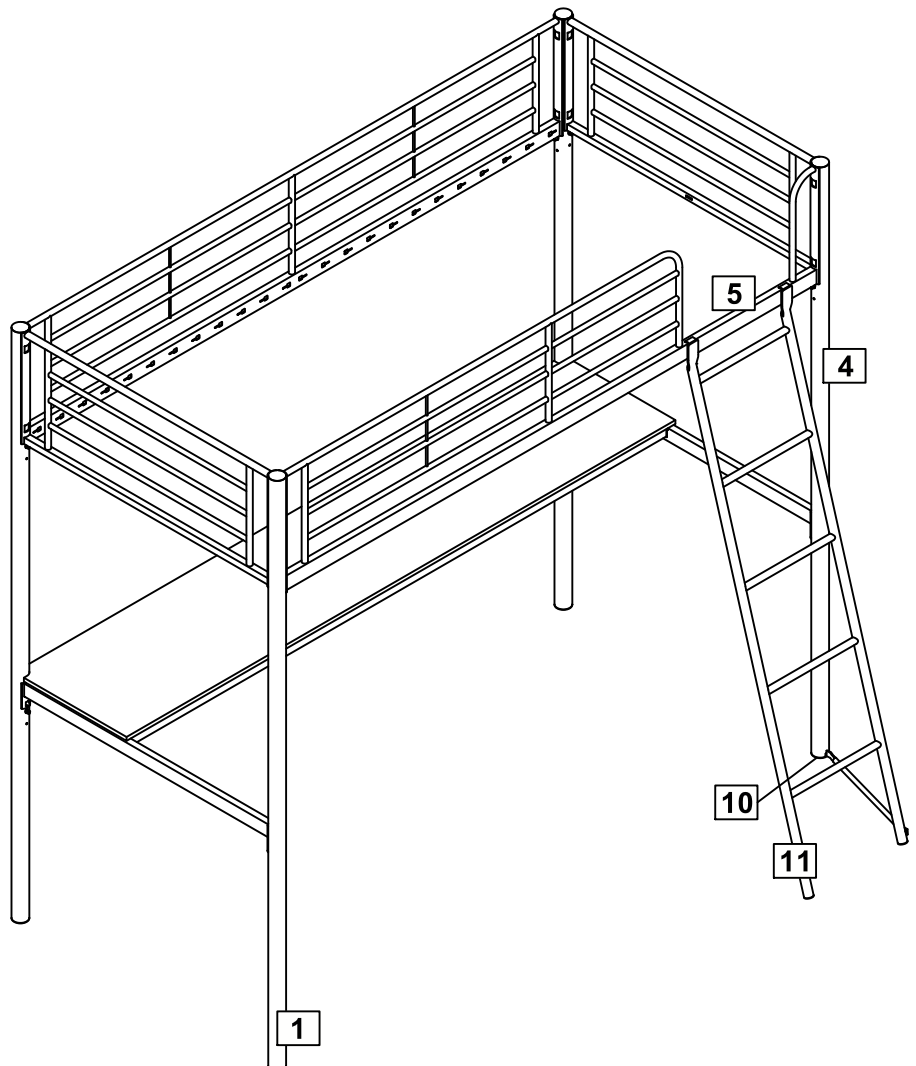
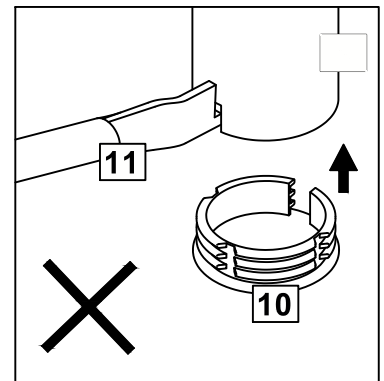
Assembly Instructions

Step 10

Secure the Ladder Rail Tube **11** and Notch End Cap **10** to Front Right Post **4**.



⚠ Insert the notch end cap to the post as illustrate.

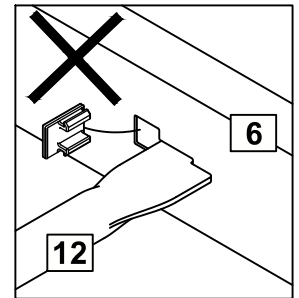
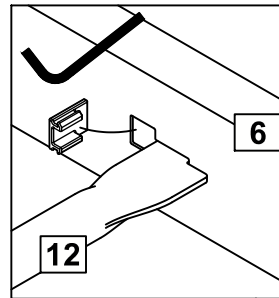


Assembly Instructions

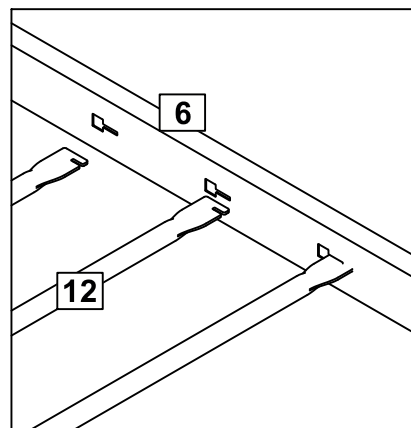
Step 11

a: Secure the slats **12** to the Back Guardrail **6** and Front Guardrail **5**.

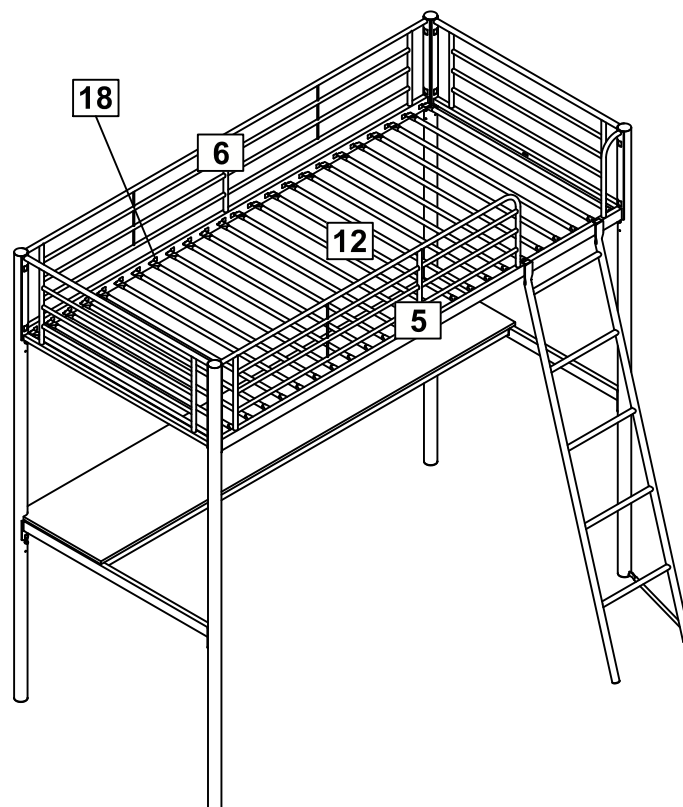
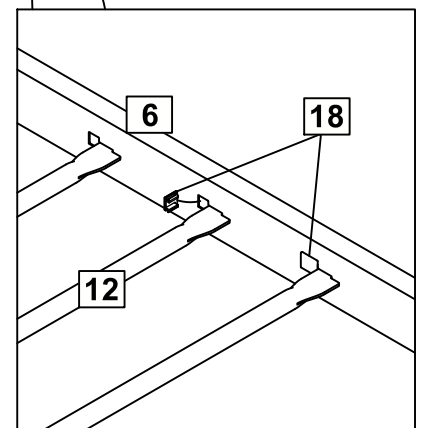
b: Secure the plastic plug **18** to the Back Guardrail **6** and Front Guardrail **5**.



a:



b:

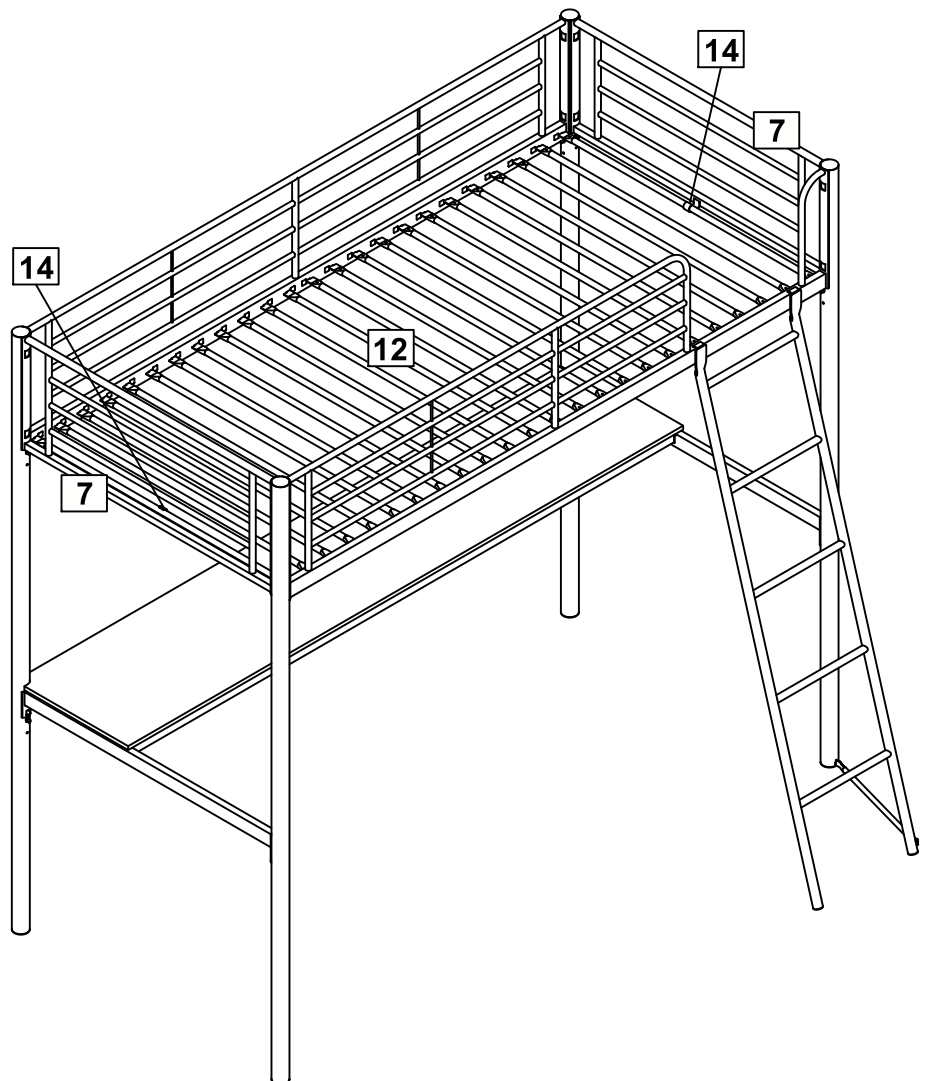
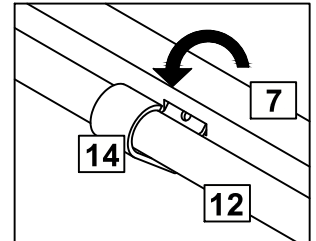
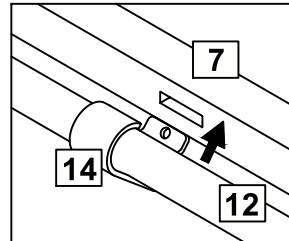
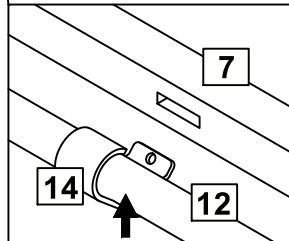


Assembly Instructions

Step 12

Secure Bracket **14** to Short Guardrail **7** and slats **12**.

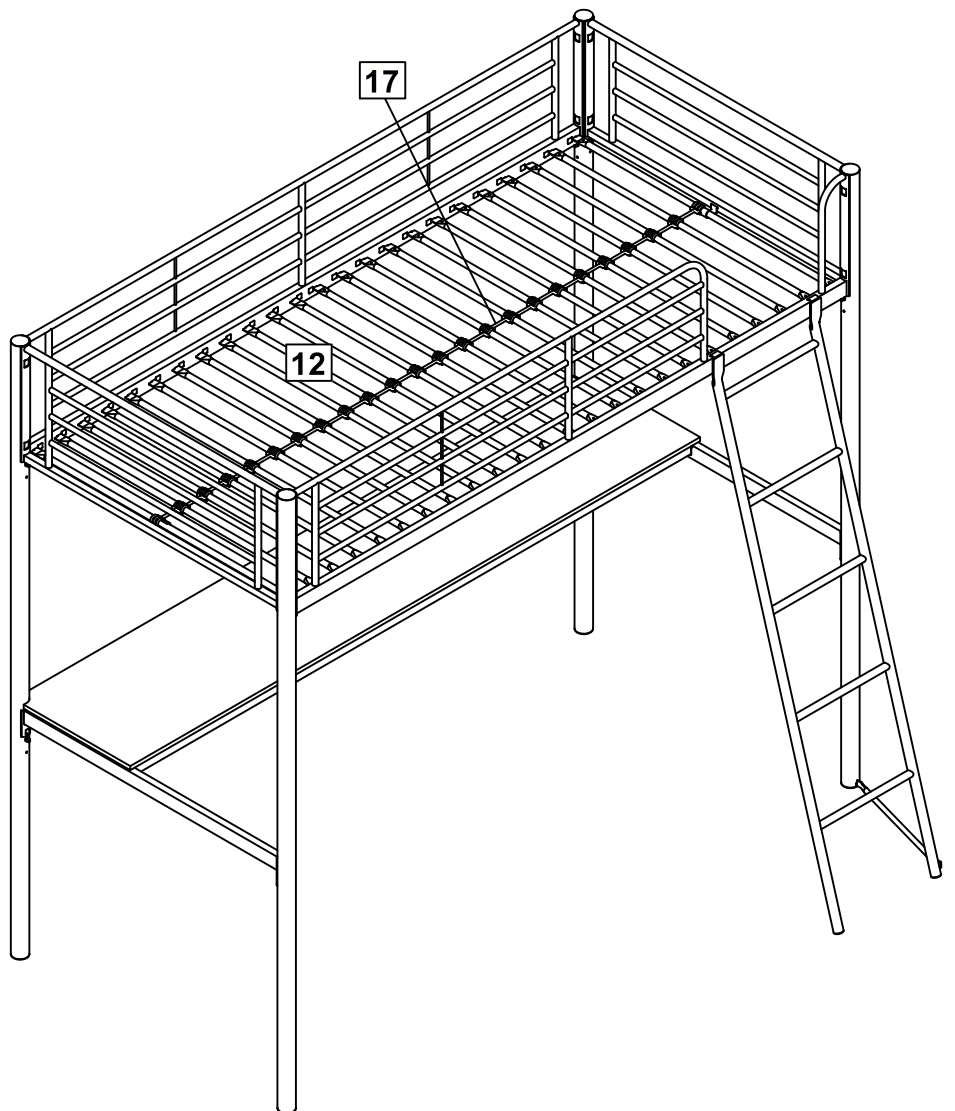
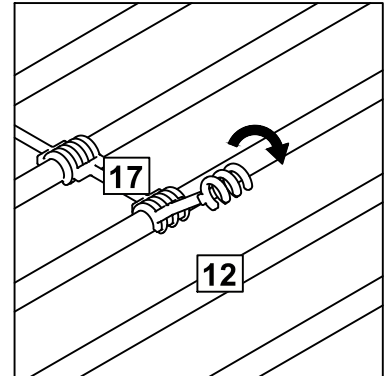
! Lift up the slats as illustrate before inserting the hook to the slot .



Assembly Instructions

Step 13

Secure Slat Spacer **17** to Slats **12**.

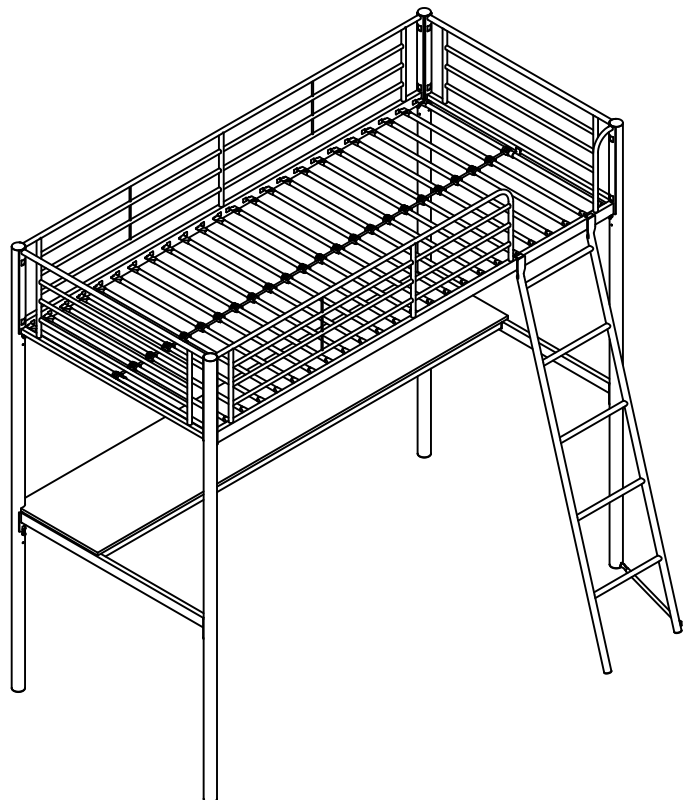
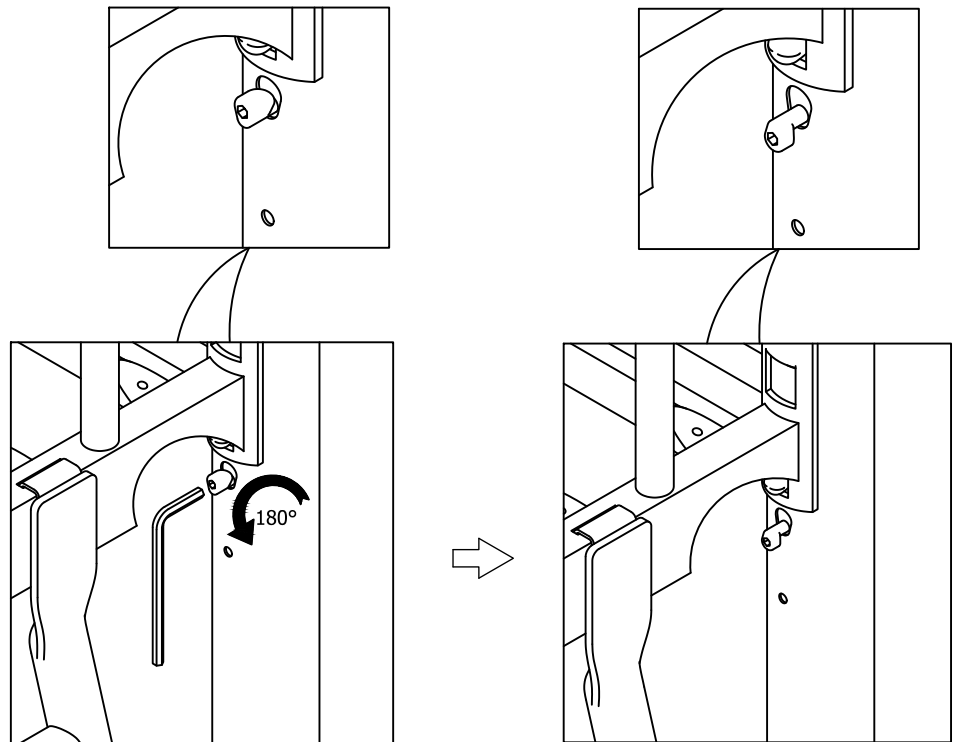


Assembly Instructions

Step 14

⚠ WARNING

Rorate all the srew (total 14 pcs) at 180 degrees as illustrate after assembling finished.

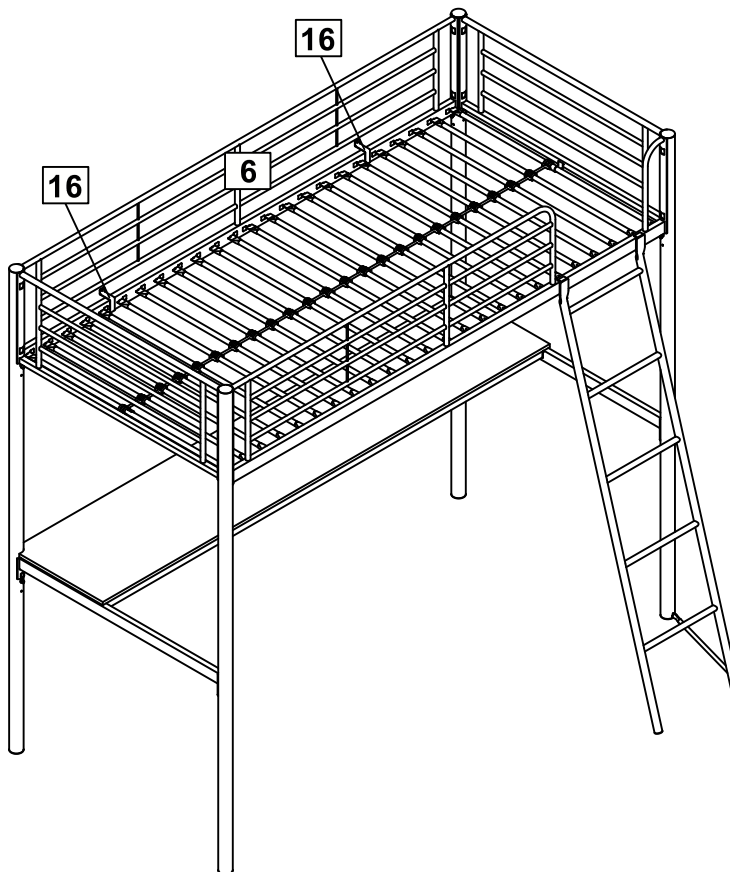
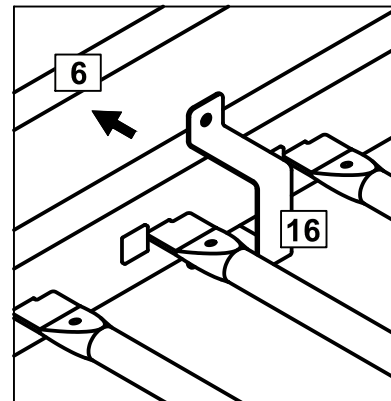


Assembly Instructions

Step 15

The **16** needs to be fixed to wall.

Assembly is complete.



WARNING

THIS ITEM NEEDS TO BE FIXED TO WALL

Please read these assembly instructions carefully as failure to adhere and non use of the brackets may cause the product to move and possibly lead to damage and/or injury if improperly fitted. If in doubt consult a qualified technician.

Please note that wall fixings such as wall plugs are not supplied-please secure the unit to the wall using the appropriate fixings for your wall type. These will be readily available from your DIY/Home improvement store.