

cookworks

2 Blade Electric Knife

Model No. EK-121



Care & Instruction Manual

For household and indoor use only

Please read these instructions before use and retain for future reference



ELECTRICAL SAFETY

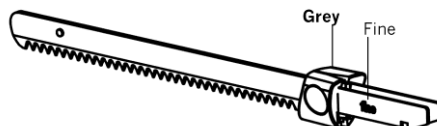
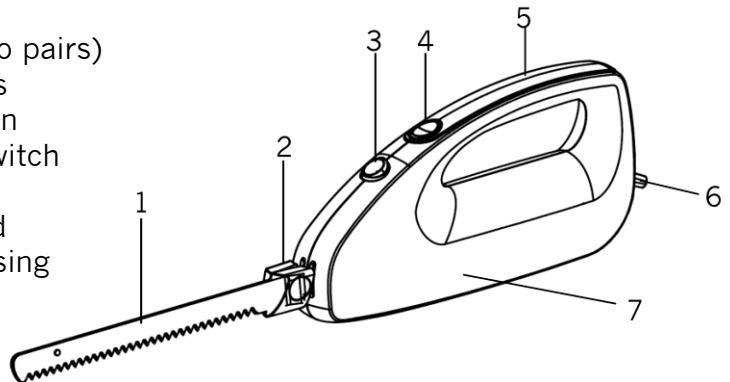
- You should only plug the appliance into a 220V-240V AC, 50Hz supply. Connecting it to other power sources may damage the appliance and will invalidate the guarantee.
- Switch off and unplug when not in use and before assembling, disassembling or cleaning the appliance.
- This appliance shall not be used by children. Keep the appliance and its cord out of reach of children.
- This appliance can be used by persons with reduced physical, sensory or mental capabilities or lack of experience and knowledge if they have been given supervision or instruction concerning use of the appliance in a safe way and understand the hazards involved.
- Children shall not play with the appliance.
- Keep motor housing, cable, and plug dry and away from areas where it is likely to get splashed. Never immerse in water.
- Do not pull on the cable to disconnect from the mains supply.
- Do not operate the appliance if damaged or after it malfunctions. In the event the supply cord is damaged, in order to avoid a hazard it must only be replaced by a qualified service engineer, with a suitably approved part.
- This appliance must be positioned so that the plug is accessible and the plug socket is within easy reach of the power cord.
- Do not cover or block the ventilation holes.

WARNING!

- This appliance is intended exclusively for use in domestic households. It is not suitable for commercial use.
- Handle with care any knife can be dangerous if misused. The knife blades are sharp, take care when fitting, ejecting the blades and cleaning.
- Only use with the parts supplied and for the intended purpose of slicing food stuffs. This appliance can cause personal injury if misused.
- Allow the motor housing to cool fully before storing.
- Do not use the same knife or chopping board when preparing raw meat, fish, cooked meat or vegetables without washing between uses.
- Do not try to slice bones, hard seeds or stones or food in wrappers.

Parts

1. Blades (two pairs)
2. Blade grips
3. Eject button
4. On / Off switch
5. Handle
6. Power cord
7. Motor housing



TO USE

1. Clean the blades thoroughly before first use.
2. Select the blades suitable for the item to be sliced. The serration is indicated by the colour of the grip and is also engraved on the blade shaft e.g.
 - Black grip – coarse serration
 - Grey grip – fine serration

3. Ensure that the rivet and the keyhole slot are interlocked (fig.1).

4. Taking care not to touch the serrated part of the knife, hold the blades by the grips and insert into the slots in the body of the motor housing (fig.2), a click will be heard when the blades are engaged.

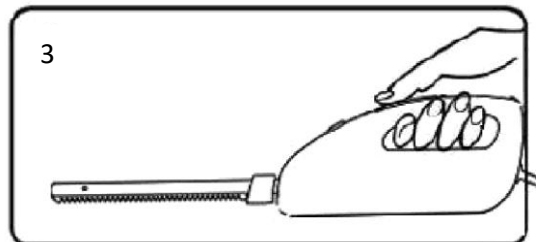
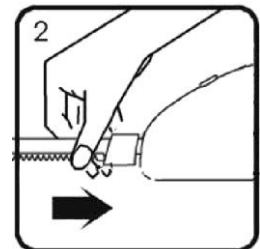
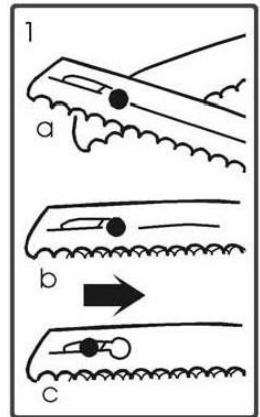
5. Fully unwind the electric knife cable and plug in.

6. Place the food to be cut on a suitable surface.

7. Holding the electric knife by the handle (fig.3), place the blades onto the food with the serrated edges downward.

8. Press and hold the ON/OFF switch and the blades will start to cut. Do not use excessive force when slicing food. Apply a light downward pressure and let the blades do the work.

9. Use the knife for a **maximum of 3 minutes**. If further use is required, **wait 10 minutes** before restarting the knife.



TO USE (continued)

10. To switch off, release the ON /OFF switch and allow the blade to come to a complete stop.
11. After use, unplug from the mains supply.
12. Detach and clean the blades – see cleaning section.
13. Place motor housing and blades out of the reach of children.

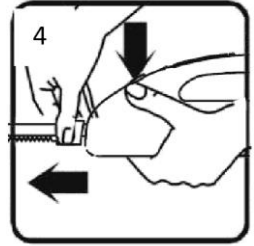
SLICING HINTS

- The fine serrated blades are suitable for slicing foods such as cooked meat, bread, sandwiches, cakes and some fruit and vegetable.
- The coarse serrated blades maybe used cut partially thawed or lightly frozen food.
- Always place food to be sliced on wooden or plastic cutting boards. Do not slice food on glass, metal or bench tops as scratching may occur.
- To maintain blade sharpness, do not try to cut through bones, fruit stones, frozen food or other hard substances.
- For best results when carving meat and poultry, allow cooked meat to stand for at least 10 minutes before slicing. This allows the juices to set and make carving easier and neater.
- Before carving meat or chicken, remove any skewers. If desired, string may be left around the meat while carving.
- A carving fork is recommended to use for steadying the meat and assists in carving during slicing.
- Do not attempt to sharpen blades.

CLEANING

Clean the knife thoroughly after every use.

- Switch off and unplug the electric knife.
- Holding the blades by the grips (fig.4) and taking care not to touch the serrated edges, press the eject button and remove the blades from the motor housing.
- The blades may be washed in hot water with a little washing up liquid. Rinse and wipe dry, taking care not to handle the blades. Not suitable for dishwashers.
- Wipe the outside of the motor housing with a damp cloth, do not use detergent or abrasives as these may scratch the surface.
- Never immerse the motor housing, cable or plug in water.
- Replace the blade cover, and always ensure knife is clean and dry before storing.



TECHNICAL SPECIFICATION

Cookworks Electric Knife	
Model	EK121
Cat No	7558177
Rated Voltage & Frequency	220 - 240V AC 50/60 Hz
Rated Power Input	120W
Maximum work time	3 minutes
Class rating	II (double insulated)
BS 1362 fuse	3A
Product dimensions (external)	436 x 59 x 106 mm
Product weight (net)	0.74 kg approx.



RECYCLING ELECTRICAL PRODUCTS

You should now recycle your waste electrical goods and in doing so help the environment.

This symbol means an electrical product should not be disposed of with normal household waste. Please ensure it is taken to a suitable facility for disposal when finished with.

Visit www.recycle-more.co.uk, click on “bank locator” and enter your postcode to find your nearest recycling site.





PRODUCT GUARANTEE

This product is guaranteed against manufacturing defects for a period of



Year

This product is guaranteed for twelve months from the date of original purchase.

Any defect that arises due to faulty materials or workmanship will either be replaced, refunded or repaired free of charge where possible during this period by the dealer from whom you purchased the unit.

The guarantee is subject to the following provisions:

- The guarantee does not cover accidental damage, misuse, cabinet parts, knobs or consumable items.
- The product must be correctly installed and operated in accordance with the instructions contained in this manual. A replacement copy of this instruction manual can be obtained from www.argos-support.co.uk
- It must be used solely for domestic purpose.
- The guarantee will be rendered invalid if the product is re-sold or has been damaged by inexpert repair.
- Specifications are subject to change without notice.
- The manufacturer disclaims any liability for the incidental or consequential damages.
- The guarantee is in addition to, and does not diminish your statutory or legal rights.

Guarantor: Argos Ltd
489 - 499 Avebury Boulevard
Central Milton Keynes
MK9 2NW
www.argos-support.co.uk

