


CUGGL PUSHCHAIR PACKAGE MULBERRY

IMPORTANT- KEEP THE INSTRUCTIONS FOR FURTHER REFERENCE

737/7592

cuggl 



	33lbs
	up to 15kg

Important-Please read the instruction fully before starting assembly

If you need help or have further question, call the Customer Helpline 03456 400 800



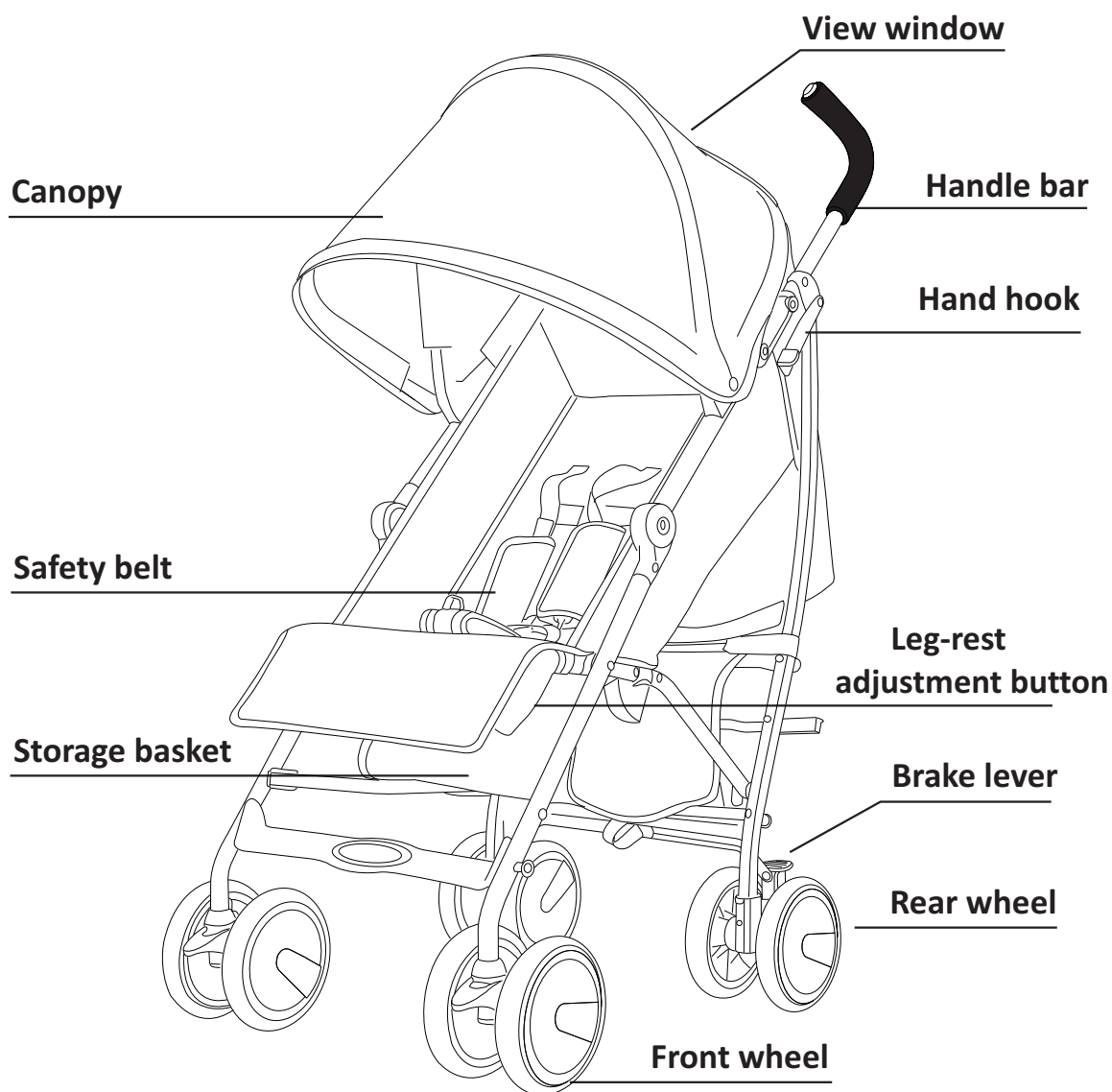
Safety Information

Important-Please read the instruction before assembly and keep it for further reference

Thank you for choosing our product. Please always read all the instructions provided carefully before use and remember, your child's safety may be affected if you do not follow these instructions. The stroller is suitable for children under 36 months. The max load of the stroller is 15kg, never over loaded.

- **WARNING:** Never leave your child unattended.
- **WARNING:** Ensure that all the locking devices are engaged before use.
- **WARNING:** The parking device shall be engaged when placing and removing the children
- **WARNING:** To avoid injury ensure that your child is kept away when unfolding and folding this product.
- **WARNING:** Do not let your child play with this product.
- **WARNING:** Always use the restraint system.
- **WARNING:** This product is not suitable for running or skating .
- **WARNING:** Do not use if any part is broken, torn or missing .
- **WARNING:** It may be dangerous to leave your child unattended.
- **WARNING:** This seat unit is not suitable for children over 36 months.
- **WARNING:** Accessories which are not approved by the manufacturer shall not be used.
- **WARNING:** Avoid placing the pushchair near naked heat sources such as electric bar fires, gas fires, etc. or where a child could gain access to any other kinds of hazards.
- **WARNING:** Always use the crotch strap in combination with the waist belt.
- **WARNING:** Always use the harness provided and make sure the harness is correctly fitted.
- **WARNING:** Any load attached to the handle affects the stability of the pushchair.
- **WARNING:** Use the stroller for only one child at a time.
- **WARNING:** The maximum permissible loading for shopping basket is 5kg.
- **WARNING:** For new born baby, the seat should be in full reclining position as the baby does not has ability to control its head.
- **WARNING:** Any load attached to the handle and/or on the back of the backrest and/or on the sides of the pushchair will affect the stability of the pushchair.
- **WARNING:** Only replacement parts supplied or recommended by the manufacturer/distributor shall be used.

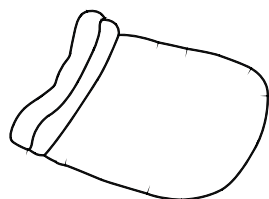
Name of parts



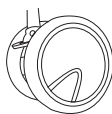
Components

If you need help or have further question,
call the Customer Helpline **03456 400 800**

Please check if you have all the parts listed below before starting assembly



Foot muff



Front wheel



Raincover

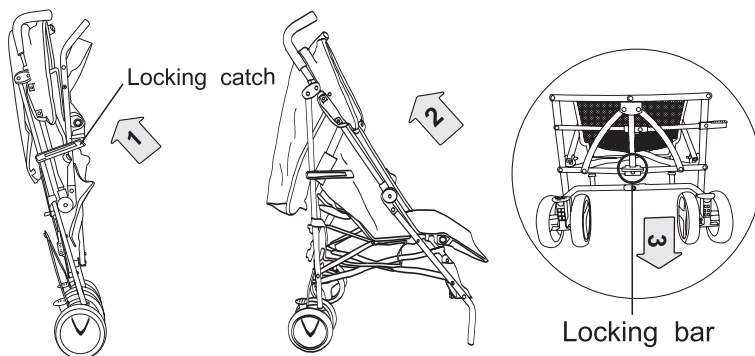
Assembly Instructions

Step 1

Unfold Frame:

Locate the locking catch on the side of the stroller and lift to release from the locking stud.(fig 1)

Unfold the pushchair using both hands. Press the locking bar until it "clicks" into place.



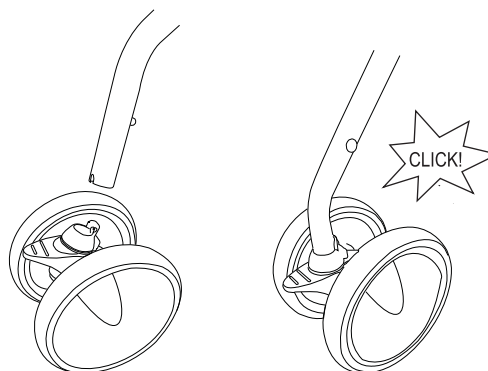
1

Step 2

Assemble The Front Wheels:

Attach the swivel wheels by locating the wheel under the frame tube.

Put the wheels upwards until the wheels clicks into position. (fig 3)

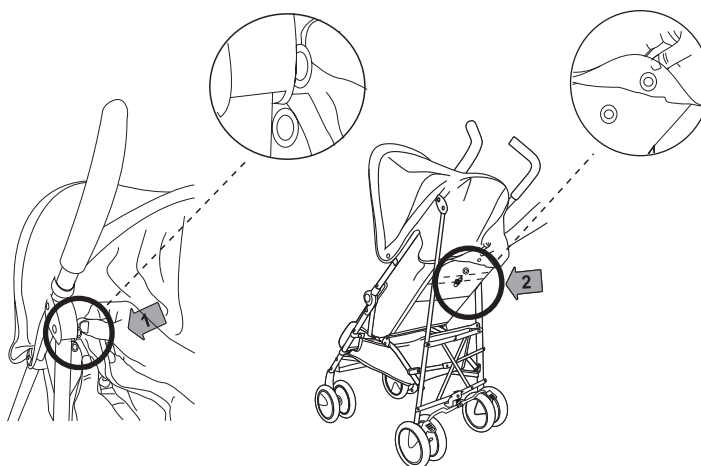


2

Step 3

Fit Canopy:

Fix the snap button of the canopy one the each side and the back on the backrest.(fig 3)



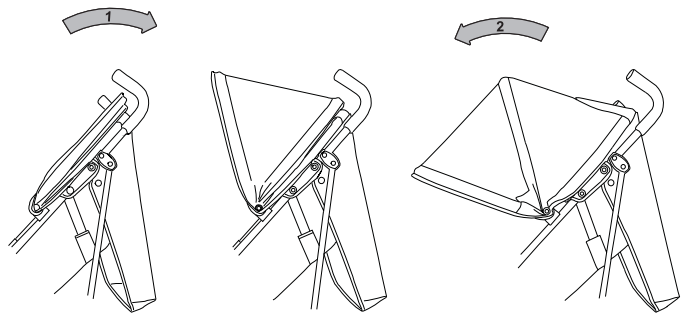
3

Assembly Instructions

Step 4

Adjust Canopy:

Follow the arrow 1 or arrow 2 to close or open the hood.



4

Step 5

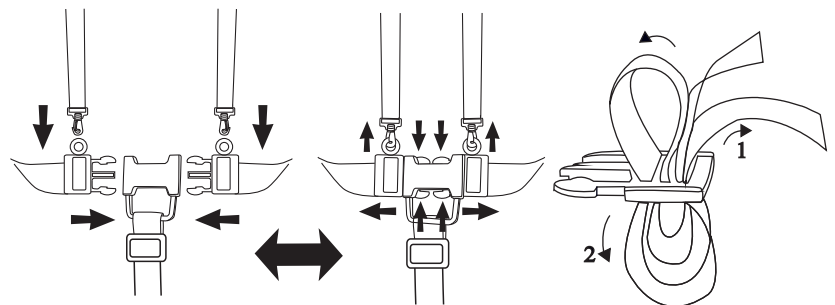
Harness & Buckle:

To fasten the waist harness:
Insert both buckle clips into each side of the buckle.
Listen for the “click”.

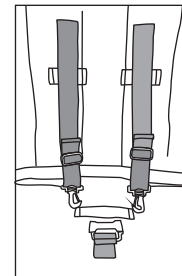
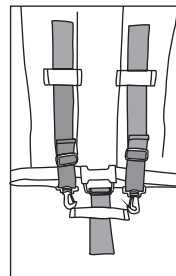
To release the harness:
Squeeze the buckles and pull apart.

To adjust the buckle:
To adjust the shoulder straps
move the slides as shown
on. (fig 5)

Note: you can adjust the
shoulder straps length
according to the baby height.



insertion

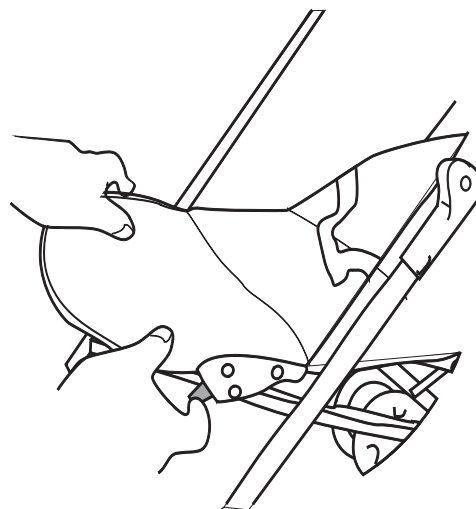


5

Step 6

Leg-rest adjustment

Press the left & right button
underneath to lower or raise
the leg-rest. (fig 6)



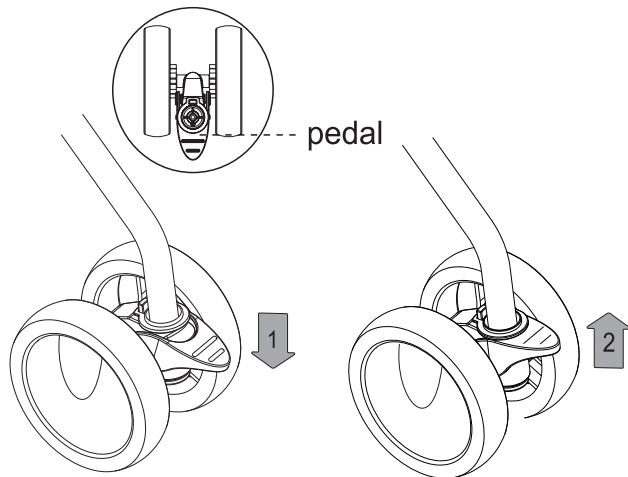
6

Assembly Instructions

Step 7

Lock Swivel Wheel:

Your pushchair has lock front swivel wheels. To lock swivel wheels press the pedal down (step 1) and fix into position to secure (step 2). Repeat on both wheels. Push up to release. (fig 7)



7

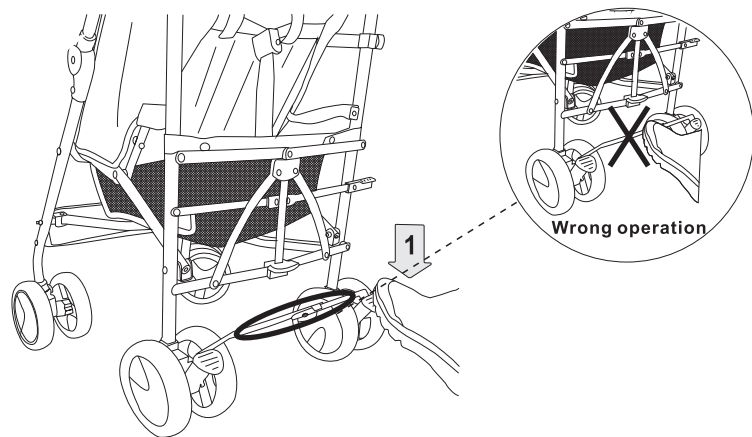
Step 8

Link Brake Operation:

To engage the brake push down brake locking pedal. Lift up pedals to release the brake.

WARNING: Do not step on the steel bar to lock the brake.

WARNING: The brake pedal shall be stepped down until the pushchair isn't moving



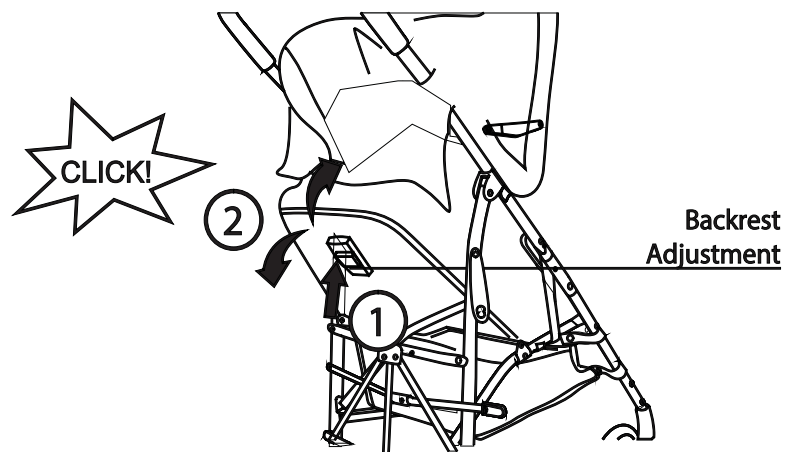
8

Step 9

To Recline Backrest:

Lift and hold the seat backrest adjustment lever and move the seat unit upwards or downwards to upright, semi-recline or full recline.

Release the backrest adjustment lever and wait to hear a "click" for each position to lock into place.



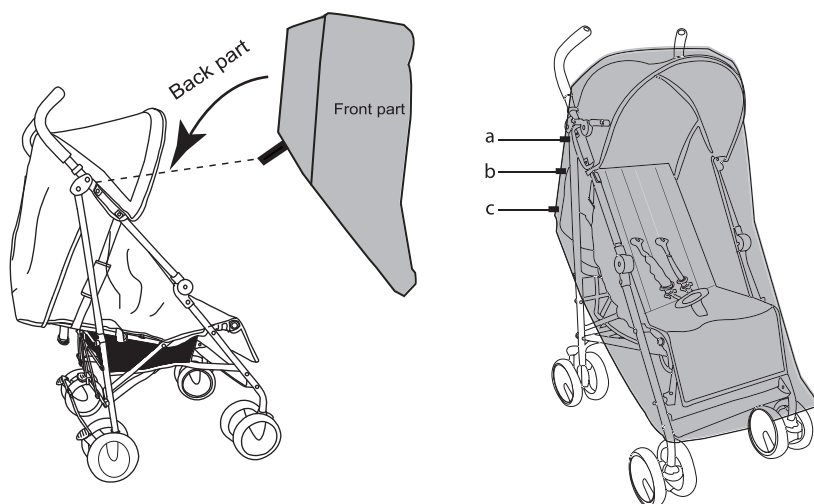
9

Assembly Instructions

Step 10

To Fit The Raincover:

Place the raincover over hood and then cover the stroller. Fasten the hook & loop straps position on the A, B and C as picture show. (fig10)

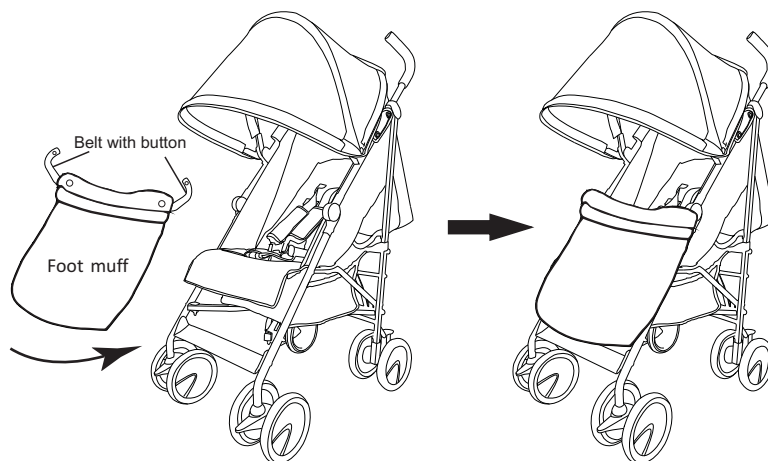


10

Step 11

To Fit The Foot Muff

There is belt with button on top of foot muff at both side, put the foot muff on stroller, wrap the belt around the frame tube and then fasten the button.



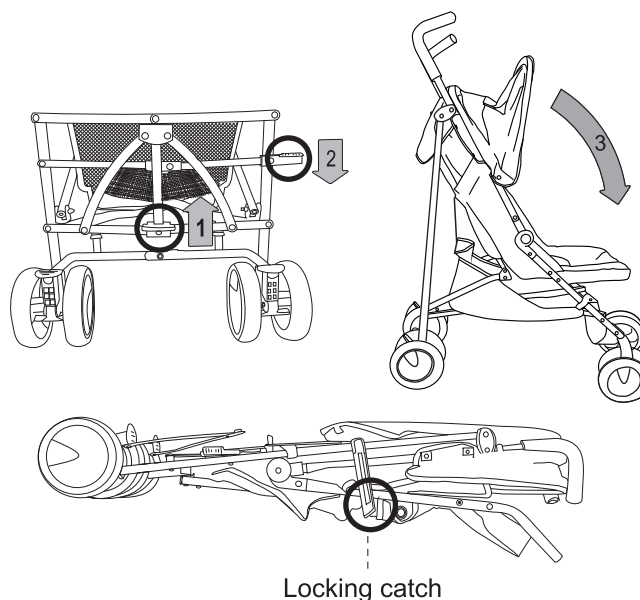
11

Fold

To Fold:

Lift the the pedal upwards (step 1) and step down the second lock pedal(step 2). (fig 12). Push the handles over and the pushchair will naturally catch on the side of your pushchair is engaged. (step 3)

Note: always fold the canopy before folding your pushchair



12

Care and Maintenance

General

This pushchair was designed and manufactured with qualified materials and craftsmanship. Always use the safety harness.

Always check your pushchair for bullet points. Lubricate moving parts regularly, especially the wheels, and lower parts of the chassis that tend to collect dirt.

Inspect regularly for:

- Worn parts, torn materials or stitching .
- Loose screws, bent or broken frame parts .
- Broken, damaged or missing parts.

Should any of the above be evident do not use and contact the Helpline:03456 400 800 for advice.

Care and Maintenance:

Fabric parts may be cleaned in accordance with the fabric care labels. Do not machine wash.

Seat: Sponge clean only

Canopy/Basket:Hand wash only.

Do not leave the stroller exposed to heat i.e. by a radiator or in direct sunlight.

If the stroller chassis parts have been exposed to salt water we recommend that they be rinsed down with fresh (tap) water as soon as possible afterwards.

Do not fold or store the product while wet and never store in a damp environment as this can cause mildew to form.

If you need help or have further question, call the Customer Helpline **03456 400 800**

This pushchair has been designed to comply with the EN1888:2012.

Country of origin: China

Argos LTD, 489-499 Avebury Boulevard, Central Milton Keynes, MK9 2NW