

BUSH

Instruction manual

Built-Under Freezer

BUCF6082



You'll soon be enjoying your new Built-Under Freezer. It all begins here, with your instructions. Don't worry, there's nothing too technical coming up. Just simple, step-by-step guidance to get you up and running quickly. Sound good? Then let's get started.

Help and Guidance

We're here to help you get the most from your Built-Under Freezer. Should you require any guidance, a simple solution can often be found online at:






www.bush-support.com

If you still require further assistance, call one of our experts on 0345 257 7271.

If you require any technical guidance or find that your product is not operating as intended, a simple solution can often be found in the Troubleshooting section of these instructions.

Contents

1	Safety Information	5	7	Before Calling After-Sales Service	34
	Safety Instructions	6		Tips for Saving Energy	35
2	Getting to know your Built-Under Freezer	7		Help and assistance	36
3	Installing your Built-Under Freezer	11		Disposal	37
	Installation warnings	12			
	During Usage	12			
	Shipment and Repositioning	13			
	Transportation and Changing Positioning	13			
	Installation	14			
4	Functions	23			
	Thermostat setting	24			
	Temperature Adjustment Warnings	24			
5	Using your Built-Under Freezer	25			
	Food Storage	26			
	Accessories	27			
6	Care and Maintenance	29			
	Cleaning and Maintenance	30			
	Defrosting the Freezer Compartment	30			
	Technical specification	31			
	Product Support	33			

Icon	Type	Meaning
	WARNING	Serious injury or death risk
	RISK OF ELECTRIC SHOCK	Dangerous voltage risk
	SYMBOL ISO 7010 W021	Warning; Risk of fire / flammable materials
	CAUTION	Injury or property damage risk
	IMPORTANT	Operating the system correctly

If you require any technical guidance or find that your product is not operating as intended, a simple solution can often be found in the Troubleshooting section of these instructions.

Safety Information

1





Safety information

Important - Please read these instructions fully before installing or operating

Safety Instructions

General Safety Warnings

Read this user manual carefully.

⚠ WARNING: Keep ventilation openings, in the appliance enclosure or in the built-in structure, clear of obstruction.

⚠ WARNING: Do not use mechanical devices or other means to accelerate the defrosting process, other than those recommended by the manufacturer.

⚠ WARNING: Do not use electrical appliances inside the food storage compartments of the appliance, unless they are of the type recommended by the manufacturer.

⚠ WARNING: Do not damage the refrigerant circuit.

⚠ WARNING: When positioning the appliance, ensure the supply cord is not trapped or damaged.

⚠ WARNING: Do not locate multiple portable socket-outlets or portable power supplies at the rear of the appliance.

⚠ WARNING: In order to avoid any hazards resulting from the instability of the appliance, it must be fixed in accordance with the following instructions:

⚠ If your appliance uses R600a as a refrigerant (this information will be provided on the label of the cooler) you should take care during transportation and installation to prevent the cooler elements from being damaged. R600a is an environmentally friendly and natural gas, but it is explosive. In the event of a leak due to damage of the cooler elements, move your fridge away from open flames or heat sources and ventilate the room where the appliance is located for a few minutes.

- While carrying and positioning the fridge, do not damage the cooler gas circuit.

- Do not store explosive substances such as aerosol cans with a flammable propellant in this appliance.
- This appliance is intended to be used in household and domestic applications such as:
 - staff kitchen areas in shops, offices and other working environments.
 - farm houses and by clients in hotels, motels and other residential type environments.
 - bed and breakfast type environments;
 - catering and similar non-retail applications.
- If the socket does not match the refrigerator plug, it must be replaced by the manufacturer, a service agent or similarly qualified persons in order to avoid a hazard.
- A specially grounded plug has been connected to the power cable of your refrigerator. This plug should be used with a specially grounded socket of 13 amperes. If there is no such socket in your house, please have one installed by an authorised electrician.
- This appliance can be used by children aged from 8 years and above and persons with reduced physical, sensory or mental capabilities or lack of experience and knowledge if they have been given supervision or instruction concerning use of the appliance in a safe way and understand the hazards involved. Children shall not play with the appliance. Cleaning and user maintenance shall not be made by children without supervision.
- If the supply cord is damaged, it must be replaced by the manufacturer, an authorised service agent or similar qualified persons, in order to avoid a hazard.
- This appliance is not intended for use at altitudes exceeding 2000 m.

Getting to know your
Built-Under Freezer

2



Getting to know your Built-Under Freezer

You'll be up and running in no time

Ready? Let's begin...

Please read these instructions carefully. They contain important information which will help you get the best from your Built-Under Freezer and ensure safe

and correct installation and operation.

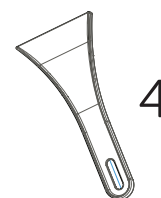
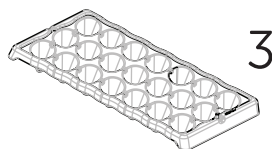
If you require any further assistance, our technical experts are happy to help. For full details, refer to the product support section at the end of these instructions.

Getting to know your Built-Under Freezer

You'll be up and running in no time



- 1. Freezer drawers x 3
- 2. Thermostat dial
- 3. Ice tray x 1
- 4. Plastic ice blade x 1





If you require any technical guidance or find that your product is not operating as intended, a simple solution can often be found in the Troubleshooting section of these instructions.

Installing your Built-Under Freezer

3



Installing your Built-Under Freezer

Bringing it all together

Installation warnings

Before using your fridge freezer for the first time, please pay attention to the following points:

- The operating voltage for your freezer is 220-240 V at 50Hz.
- The plug must be accessible after installation.
- Your freezer may have an odour when it is operated for the first time. This is normal and the odour will fade when your freezer starts to cool.
- Before connecting your freezer, ensure that the information on the data plate (voltage and connected load) matches that of the mains electricity supply. If in doubt, consult a qualified electrician.
- Insert the plug into a socket with an efficient ground connection. If the socket has no ground contact or the plug does not match, we recommend you consult a qualified electrician for assistance.
- The appliance must be connected with a properly installed fused socket. The power supply (AC) and voltage at the operating point must match with the details on the name plate of the appliance (the name plate is located on the inside left of the appliance).
- We do not accept responsibility for any damages that occur due to ungrounded usage.
- Place your freezer where it will not be exposed to direct sunlight.
- Your freezer must never be used outdoors or exposed to rain.
- Your appliance must be at least 50 cm away from stoves, gas ovens and heater cores, and at least 5 cm away from electrical ovens.
- If your freezer is placed next to a deep freezer, there must be at least 2 cm between them to prevent humidity forming on the outer surface.
- Do not cover the body or top of freezer with lace. This will affect the performance of your freezer.

- Clearance of at least 150 mm is required at the top of your appliance. Do not place anything on top of your appliance.
- Do not place heavy items on the appliance.
- Clean the appliance thoroughly before use (see Cleaning and Maintenance).
- The installation procedure into a kitchen unit is given in the installation manual. This product is intended to be used in proper kitchen units only.
- Before using your freezer, wipe all parts with a solution of warm water and a teaspoon of sodium bicarbonate. Then, rinse with clean water and dry. Return all parts to the freezer after cleaning.
- Use the adjustable front legs to make sure your appliance is level and stable. You can adjust the legs by turning them in either direction. This must be done before placing food in the appliance.

During Usage

- Do not connect your freezer to the mains electricity supply using an extension lead.
- Do not use damaged, torn or old plugs.
- Do not pull, bend or damage the cord.
- Do not use plug adapter.
- This appliance is designed for use by adults. Do not allow children to play with the appliance or hang off the door.
- Never touch the power cord/plug with wet hands. This may cause a short circuit or electric shock.
- Do not place glass bottles or cans in the ice-making compartment as they will burst when the contents freeze.
- Do not place explosive or flammable material in your freezer.
- When removing ice from the ice-making compartment, do not touch it. Ice may cause frost burns and/or cuts.
- Do not touch frozen goods with wet hands. Do not eat ice-cream or ice cubes

Installing your Built-Under Freezer

Bringing it all together

immediately after they are removed from the ice-making compartment.

- Do not re-freeze thawed frozen food. This may cause health issues such as food poisoning.

Old and Out-of-order Fridges

- If your old fridge or freezer has a lock, break or remove the lock before discarding it, because children may get trapped inside it and may cause an accident.
- Old fridges and freezers contain isolation material and refrigerant with CFC. Therefore, take care not to harm environment when you are discarding your old fridges.

CE Declaration of conformity

We declare that our products meet the applicable European Directives, Decisions and Regulations and the requirements listed in the standards referenced.

Disposal of your old appliance

The symbol on the product or on its packaging indicates that this product may not be treated as household waste. Instead it shall be handed over to the applicable collection point for the recycling of electrical and electronic equipment. By ensuring this product is disposed of correctly, you will help prevent potential negative consequences for the environment and human health, which could otherwise be caused by inappropriate waste handling of this product. For more detailed information about recycling of this product, please contact your local city office, your household waste disposal service or the shop where you purchased the product.



Packaging and the Environment

Packaging materials protect your machine from damage that may occur during transportation. The packaging materials are environmentally friendly as they are recyclable. The use of recycled material reduces raw material consumption and therefore decreases waste production.

Notes:

- Please read the instruction manual carefully before installing and using your appliance. We are not responsible for the damage occurred due to misuse.
- Follow all instructions on your appliance and instruction manual, and keep this manual in a safe place to resolve the problems that may occur in the future.
- This appliance is produced to be used in homes and it can only be used in domestic environments and for the specified purposes. It is not suitable for commercial or common use. Such use will cause the guarantee of the appliance to be cancelled and our company will not be responsible for the losses to be occurred.
- This appliance is produced to be used in houses and it is only suitable for cooling / storing foods. It is not suitable for commercial or common use and/or for storing substances except for food. Our company is not responsible for the losses to be occurred in the contrary case.

Shipment and Repositioning

Transportation and Changing Positioning

- The original packaging and foam may be kept for re-transportation (optional).
- Fasten your appliance with thick packaging, bands or strong cords and follow the instructions for transportation on the packaging.
- Remove all movable parts (drawers, ice blade, ice tray and so on) or fix them into the appliance against shocks using bands when re-positioning or transporting.



Always carry your appliance in the upright position.

Installing your Built-Under Freezer

Bringing it all together

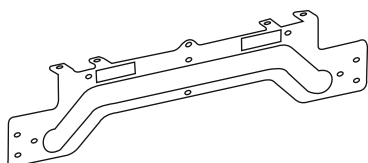
Installation

Installation kit contents

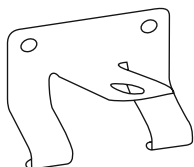
A. Wood screw x17



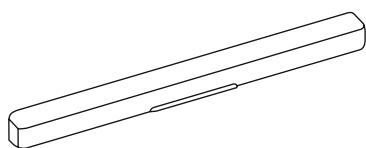
B. Door hang



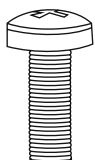
C. Door Bottom Fixings x2



D. Hang cover



E. Screw

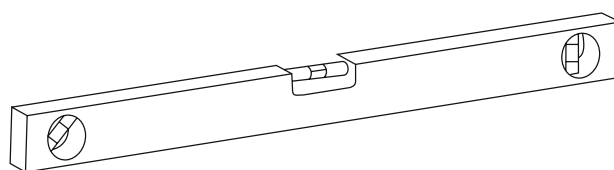


F. Top bracket

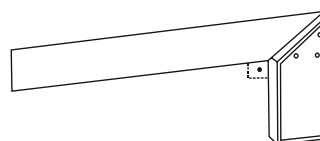


Tools required

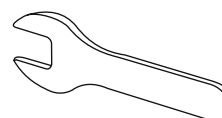
Spirit level



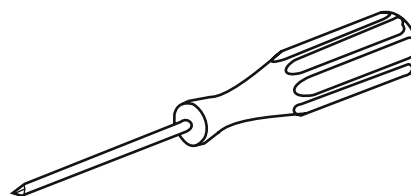
Setsquare



Wrench



Screwdriver



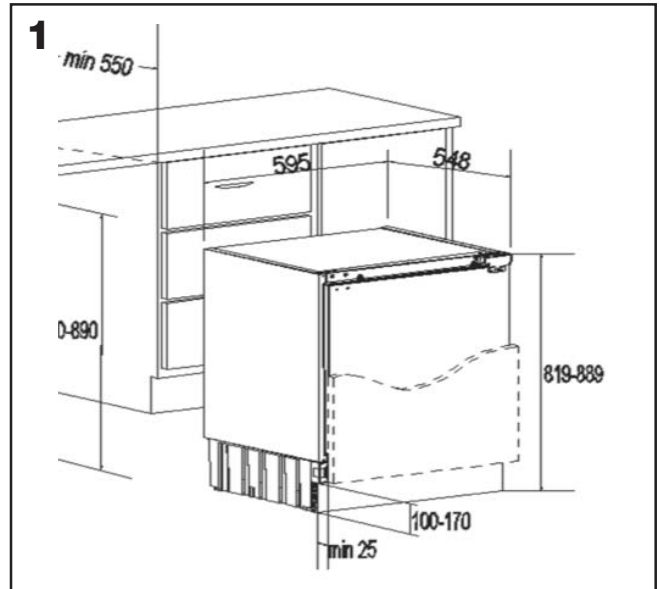
Installing your Built-Under Freezer

Bringing it all together

Dimensions for installation

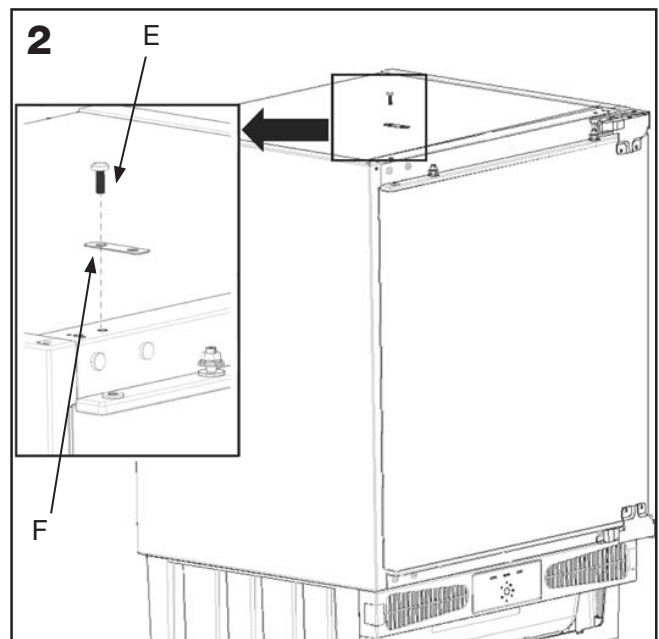
Caution: 2 people are required to unpack and handle the freezer. It is recommended that gloves are worn.

- a: Carefully remove all packaging materials and dispose of correctly.
- b: Make sure that the space available for the freezer is large enough as per the dimensions (1).



Installing top bracket

- a: Remove the screw (E) on top of the freezer, place the top bracket (F) in position and fix with the screw (E).

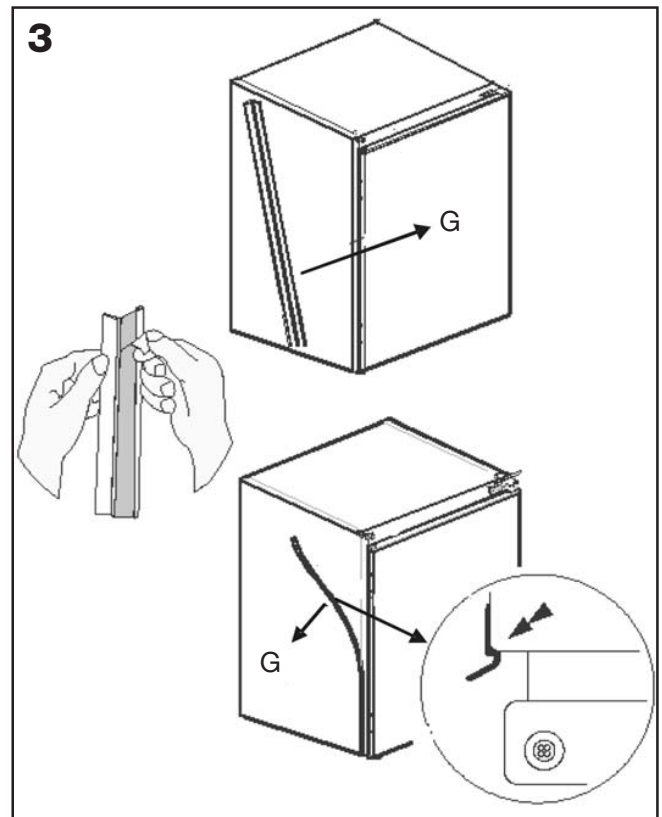


Installing your Built-Under Freezer

Bringing it all together

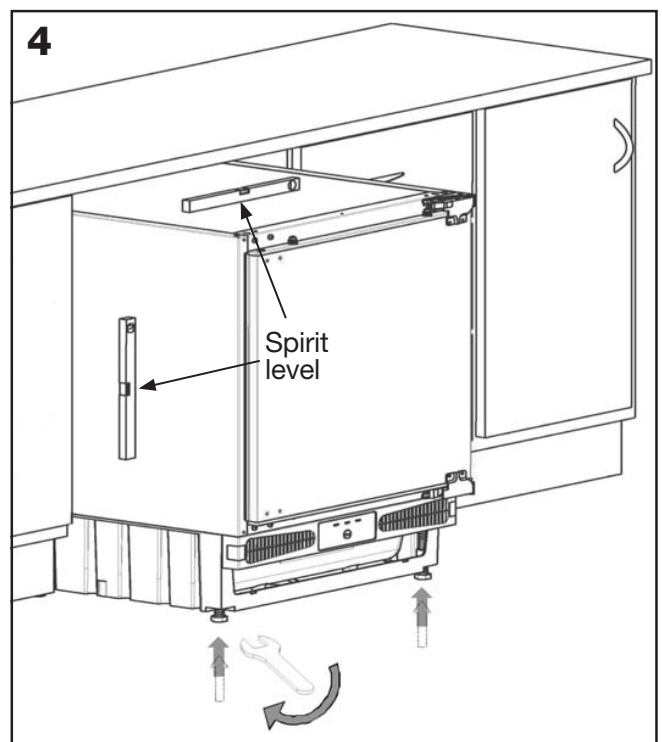
Fitting the door gasket

- a: Take out the gasket (G) located on the side panel, and remove the protective tape.
- b: Stick the gasket (G) on the freezer side panel, on the opposite side to the door hinges, as shown (3).



Height adjustment

- a: If necessary, the height of the freezer can be adjusted, by loosening the locking nuts on the adjustable feet and screwing the feet in or out to the desired height. A wrench may be required to undo the locking nuts.
- b: When the desired height is reached, re-tighten the locking nuts using the wrench to lock the adjustable feet in position.



If you require any technical guidance or find that your product is not operating as intended, a simple solution can often be found in the Troubleshooting section of these instructions.

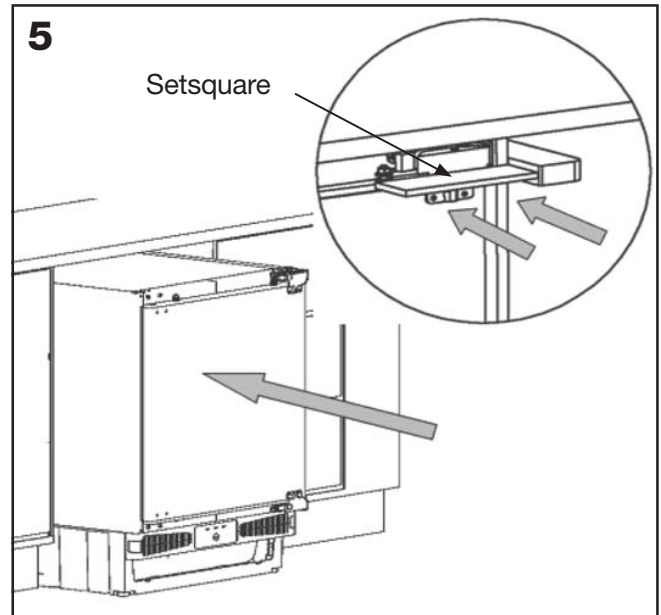
Installing your Built-Under Freezer

Bringing it all together

Position the freezer

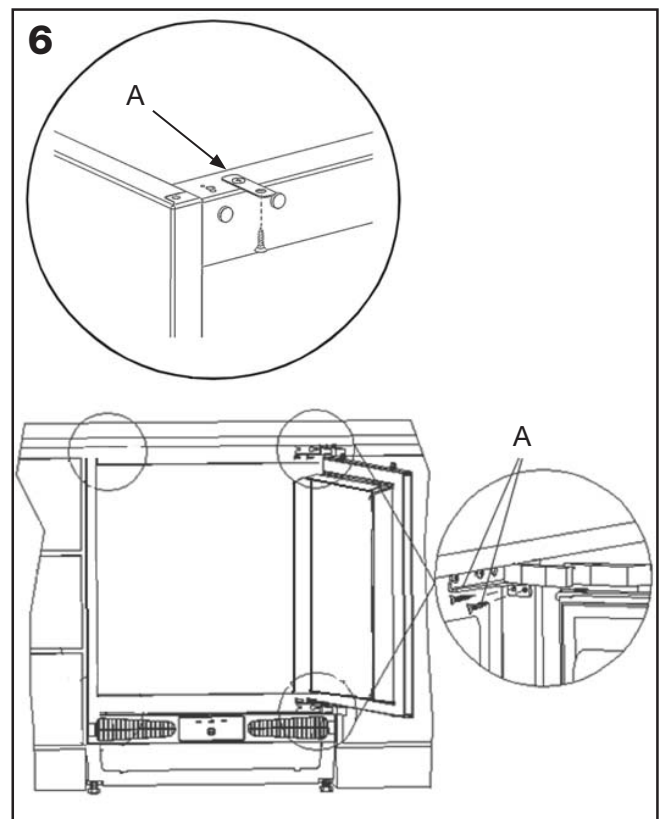
Caution: The freezer may require 2 people to handle it when pushing it into position.

- a: Check behind the freezer to make sure there are no tools or obstructions that may cause damage.
- b: Carefully slide the freezer into position until the hinge surface is aligned with the front surface of the kitchen unit.
- c: Check that the freezer is square using the setsquare.



Securing the freezer

- a: Secure the freezer to the kitchen units using screws (A), through the top bracket (F) and through both the upper and lower door hinges as shown (6).

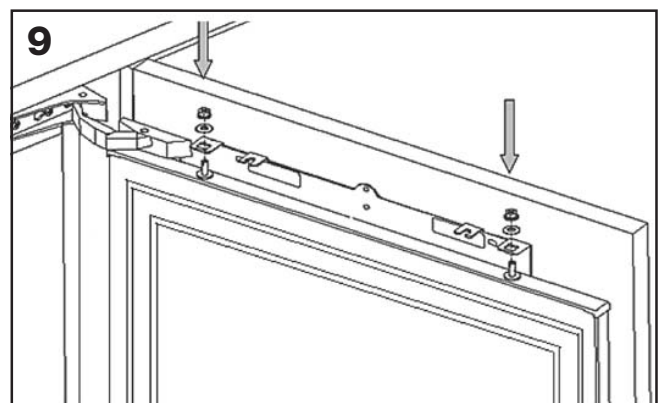
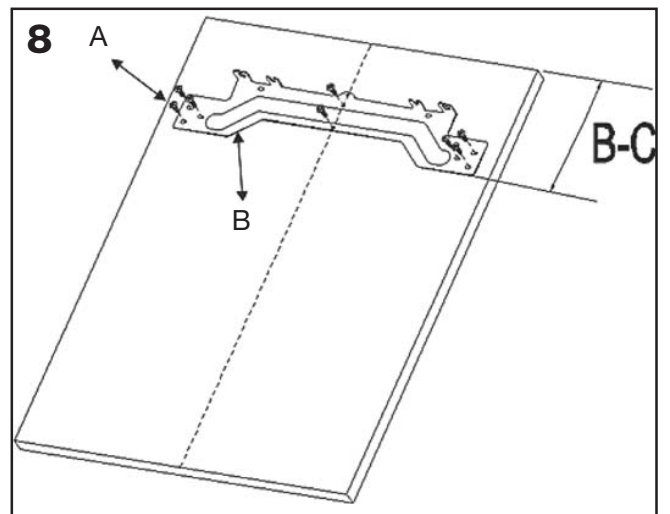
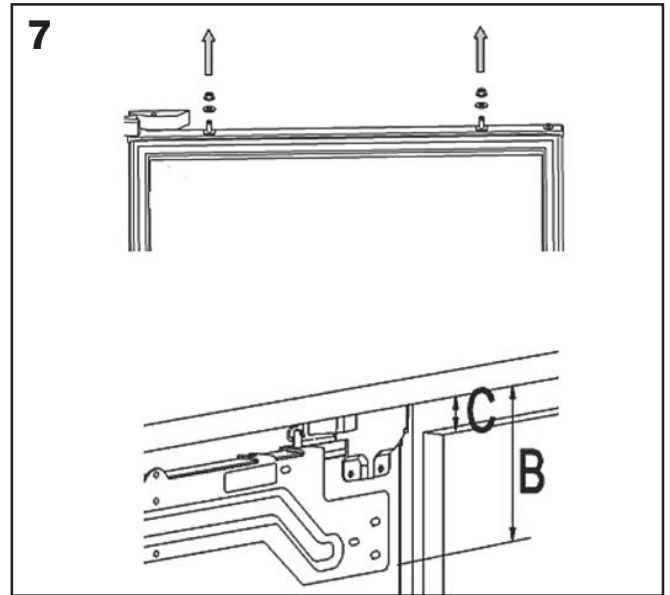


Installing your Built-Under Freezer

Bringing it all together

Fitting the cabinet door

- a: Unscrew and remove the nuts and washers from the appliance door.
- b: Place door hang on the appliance door by inserting the holes to adjustment bolts.
- c: Dimension B= Measure from the underside surface of kitchen unit to the bottom of door hang. Dimension C= Measure from the underside surface of kitchen unit to the top of next unit door.
- d: Subtract C from B and place door hang (B) using this dimension for vertical position and place to the centre for horizontal position.
- e: Screw the door hang (B) using screws (A).
- f: Place the cabinet door onto the appliance door by inserting adjustment bolts into the slots on the door hang.
- g: Place the washers and screw the nuts onto the adjustment bolts.



Continued on next page

If you require any technical guidance or find that your product is not operating as intended, a simple solution can often be found in the Troubleshooting section of these instructions.

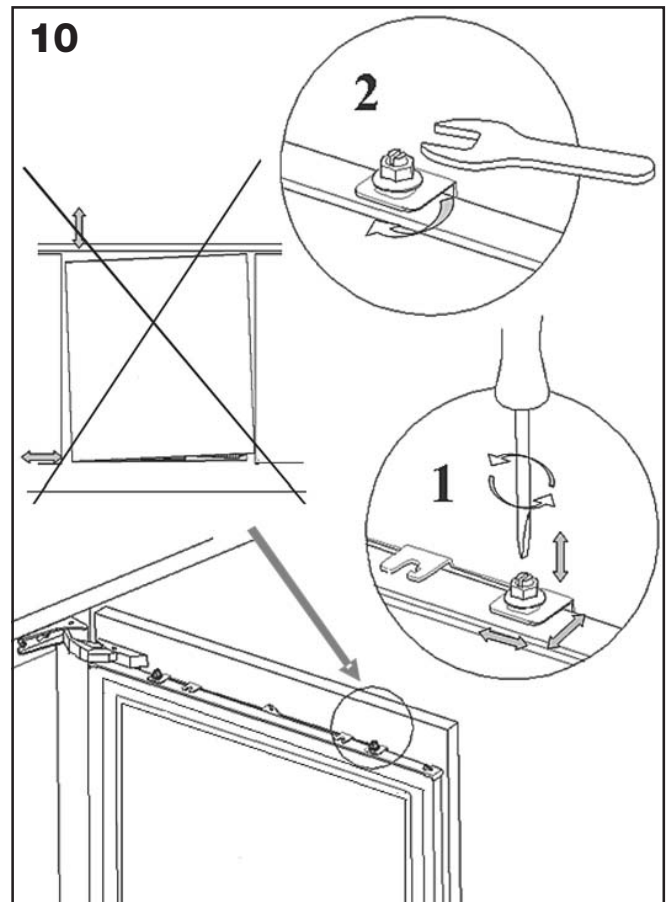
Installing your Built-Under Freezer

Bringing it all together

h: Close the door and check the alignment with the other cabinet doors.

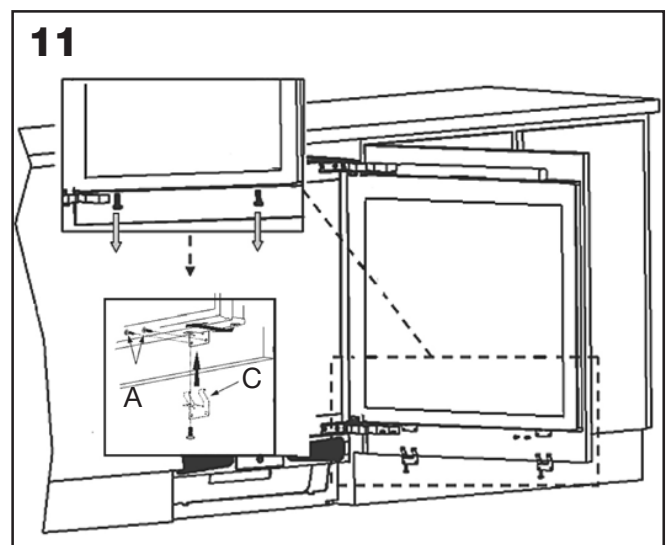
i: Make the adjustment of the unit door by screwing or unscrewing the adjustment bolts for vertical adjustment and by the help of the slots on the door hang for other directions.

j: Tighten the nuts to fix the bracket.



k: Remove the screws at the bottom of the appliance door.

l: Place the door bottom fixings (C) and screw the fixings to the appliance door and the cabinet door using screws (A).

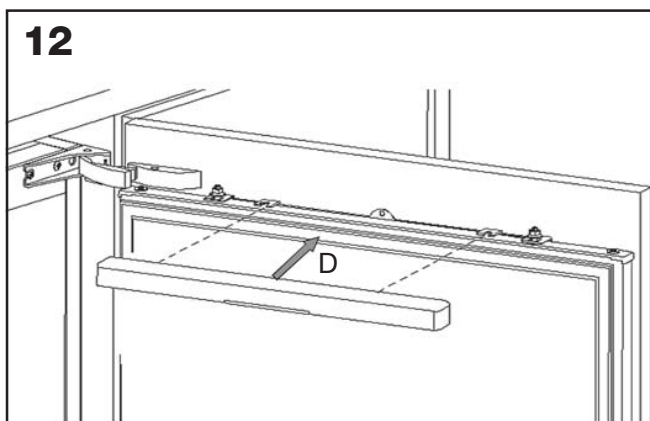


Continued on next page

Installing your Built-Under Freezer

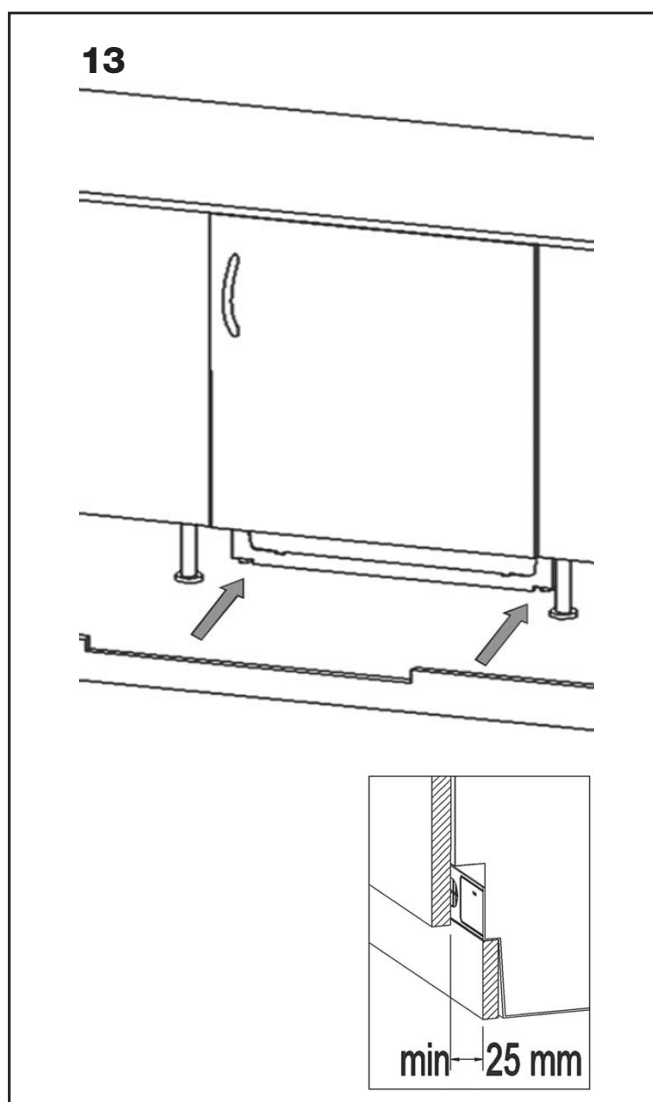
Bringing it all together

m: Slide the hang cover (D) onto the door hang (B).



Installing the plinth

a: Position the plinth providing minimum 25 mm gap between the cabinet door and fix it.



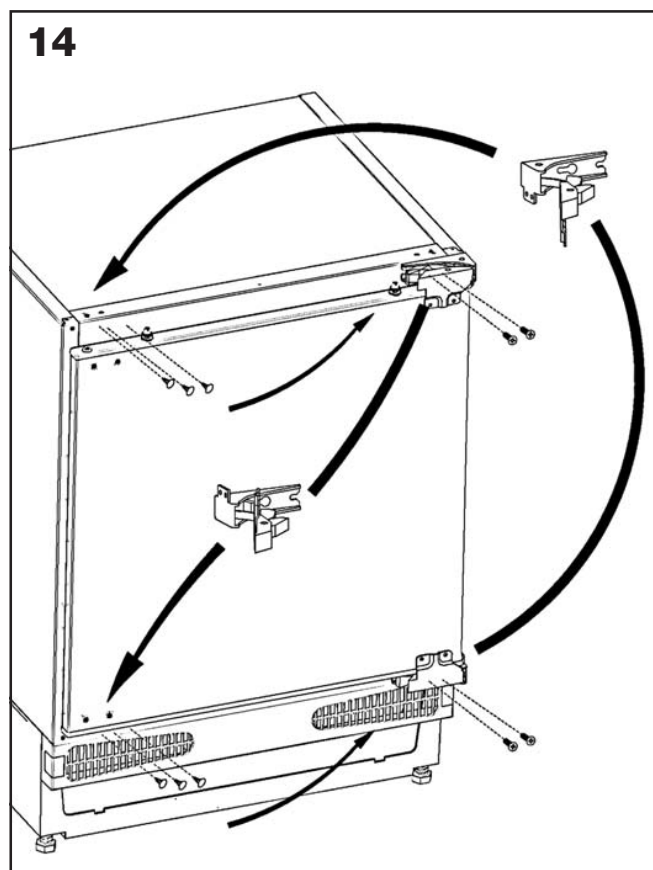
If you require any technical guidance or find that your product is not operating as intended, a simple solution can often be found in the Troubleshooting section of these instructions.

Installing your Built-Under Freezer

Bringing it all together

Reversing the door

- a: Unscrew the screws on the front surface of the appliance door. Take the appliance door to a safe place.
- b: Move the hole plugs on the appliance door's front surface, to the holes on the reverse side.
- c: Open the door upper hinge and door lower hinge, disassemble them.
- d: Move the hole plugs to opposite side.
- e: Assemble the door upper hinge and door lower hinge to the opposite corners of their original position.
- f: Assemble the appliance door.





If you require any technical guidance or find that your product is not operating as intended, a simple solution can often be found in the Troubleshooting section of these instructions.

Functions 4



Functions

Simple everyday use

Thermostat setting

The freezer thermostat automatically regulates the temperature inside the compartments.

Cooler temperatures can be obtained by rotating the knob to a higher number (1 to 5). The “•” position closes the thermostat so no cooling will take place.



Important note: Do not try to rotate knob beyond position 1. It will stop your appliance from working.

Freezer thermostat settings:

1 - 2 : For short-term storage of food in the freezer compartment.

3 - 4 : For long-term storage of food in the freezer compartment.

5 : For freezing fresh food. The appliance will run at colder temperatures.

Temperature Adjustment Warnings

- The ambient temperature, temperature of the freshly stored food and how often the door is opened affects the temperature in the freezer compartment. If required, change the temperature setting.
- It is not recommended that you operate your freezer in environments colder than 10°C in terms of its efficiency.
- When setting the thermostat, take into consideration how often the appliance door is opened and closed, how much food is stored in the freezer, and the environment in which the freezer is located.
- When the appliance is first switched on, allow it to run for 24 hours in order to reach operating temperature. During this time, do not open the door and do not keep a large quantity of food inside.
- Unplug your appliance during a power cut to prevent damage to the compressor. Once power is restored, delay plugging in your appliance for 5 to 10 minutes. This will help prevent damage to the appliance's components.

- Your appliance is designed to operate in the ambient temperature ranges stated in the standards, according to the climate class stated in the information label. It is not recommended that your freezer is operated in the environments which are outside of the stated temperature ranges. This will reduce the cooling efficiency of the appliance.
- Your appliance is designed to operate in the ambient temperature (SN = 10°C - 32°C) intervals stated in the standards, according to the climate class displayed on the information label. We do not recommend operating your appliance out of the stated temperature limits in terms of cooling effectiveness.

Climate Class	Ambient Temperature °C
T	Between 16 and 43 (°C)
ST	Between 16 and 38 (°C)
N	Between 16 and 32 (°C)
SN	Between 10 and 32 (°C)

Using your Built-Under Freezer

5



Using your Built-Under Freezer

Getting the most from your appliance

Food Storage

- The freezer is used for storing frozen food, freezing fresh food, and making ice cubes.
- To freeze fresh food, ensure that as much of the surface of the food as possible is in contact with the cooling surface.
- Do not store fresh food next to frozen food as it can thaw the frozen food.
- Before freezing fresh food, divide it into portions that can be consumed in one sitting.
- Consume thawed frozen food within a short period of time after defrosting
- Never place warm food in the freezer compartment as it will thaw the frozen food.
- Always follow the manufacturer's instructions on food packaging when storing frozen food. If no information is provided food, should not be stored for more than 3 months from the date of purchase.
- When purchasing frozen food, make sure that it has been stored under appropriate conditions and that the packaging is not damaged.
- Frozen food should be transported in appropriate containers and placed in the freezer as soon as possible.
- Do not purchase frozen food if the packaging shows signs of humidity and abnormal swelling. It is probable that it has been stored at an unsuitable temperature and that the contents have deteriorated.
- The storage life of frozen food depends on the room temperature, the thermostat setting, how often the door is opened, the type of food, and the length of time required to transport the product from the shop to your home. Always follow the instructions printed on the packaging and never exceed the maximum storage life indicated.
- The maximum amount of fresh food (in kg) that can be frozen in 24 hours is indicated on the appliance label.
- For optimum appliance performance to reach maximum freezing capacity, set the

freezer thermostat at 4 - 5 for 24 hours before placing fresh food into the freezer.

- After placing fresh food into the freezer, change the setting to 4 - 5 for 24 hours is generally sufficient. After 24 hours, you can reduce the setting if required.
- **Attention.** To save energy, if you are only freezing small amounts of food, do not set the thermostat knob to the coldest setting.

NOTE: If you attempt to open the freezer door immediately after closing it, you will find that it will not open easily. This is normal. Once equilibrium has been reached, the door will open easily.

Important note:

- Never refreeze thawed frozen food.
- The taste of some spices found in cooked dishes (anise, basilica, watercress, vinegar, assorted spices, ginger, garlic, onion, mustard, thyme, marjoram, black pepper, etc.) changes and they assume a strong taste when they are stored for a long period of time. Therefore, add small amounts of spices to food to be frozen, or the desired spice should be added after the food has thawed.
- The storage time of food is dependent on the type of oil used. Suitable oils are margarine, calf fat, olive oil and butter. Unsuitable oils are peanut oil and pig fat.
- Food in liquid form should be frozen in plastic cups and other food should be frozen in plastic folios or bags.

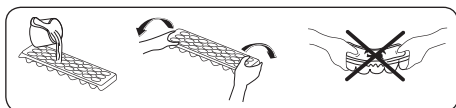
Using your Built-Under Freezer

Getting the most from your appliance

Accessories

Ice Tray

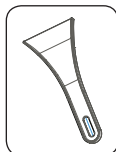
- Fill the ice tray with water and place in the freezer compartment.
- After the water has completely frozen, you can twist the tray as shown below to remove the ice cubes.



The Plastic Scraper

After some time, frost will build up in certain areas of the freezer. The frost accumulated in the freezer should be removed regularly.

Use the plastic scraper provided, if necessary. Do not use sharp metal objects for this operation. They could puncture the refrigerator circuit and cause irreparable damage to the unit.





If you require any technical guidance or find that your product is not operating as intended, a simple solution can often be found in the Troubleshooting section of these instructions.

Care and Maintenance




6





Care and maintenance

Looking after your appliance


Cleaning and Maintenance

-  Disconnect the unit from the power supply before cleaning.
-  Do not wash your appliance by pouring water on it.
-  Do not use abrasive products, detergents or soaps for cleaning the appliance. After washing, rinse with clean water and dry carefully. When you have finished cleaning, reconnect the plug to the mains supply with dry hands.
 - Make sure that no water enters the lamp housing and other electrical components.
 - The appliance should be cleaned regularly using a solution of bicarbonate of soda and lukewarm water.
 - Clean the accessories separately by hand with soap and water. Do not wash accessories in a dish washer.
 - Clean the condenser with a brush at least twice a year. This will help you to save on energy costs and increase productivity.

  The power supply must be disconnected during cleaning.

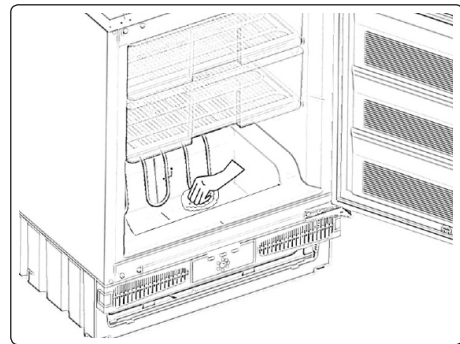
Defrosting the Freezer Compartment

Freezer defrosting process

-  **WARNING:** Never use sharp metal tools, unless recommended by the manufacturer, for this operation as they can damage the refrigeration circuit.
 - After some time, frost will build up in certain areas of the freezer. The frost accumulated in the freezer should be removed regularly (use the plastic scraper if available).
 - Complete defrosting will become necessary if the frost layer exceeds 3 - 5 mm in order to maintain the efficiency of the freezer.
 - It is recommended, the day before you defrost, to set the thermostat dial to position "5" to freeze the food completely.
 - During defrosting, frozen food should be wrapped in several layers of paper and kept in a cool place. The inevitable rise in

temperature will shorten their storage life. Remember to use this food within a relatively short period of time.

- Set the thermostat knob to position "•" and switch off the appliance.
- Leave the door open to accelerate defrosting. Remove any water from the compartment.
- If there is water on the freezer floor, you can remove it using a sponge.



- Clean the interior by hand with lukewarm water and a little detergent.
- Never use abrasive products or aggressive cleaning agents.
- Dry the inside of the unit, connect it to the mains and set the thermostat knob to position "5". After 24 hours, reset the thermostat to the desired position.

If you require any technical guidance or find that your product is not operating as intended, a simple solution can often be found in the Troubleshooting section of these instructions.

Care and maintenance

Looking after your appliance

Technical specification

Supplier's name or trademark	BUSH
Model / Item	BUCF6082
Type of appliance	BGSN1650DOD
Energy efficiency class	A+
Voltage	220-240V / 50 Hz
Energy consumption	0.484 kWh/24h - 177 kWh/year
Net storage volume of fresh food	-
Net storage volume of frozen food	93 lt.
Star rating of frozen food storage compartment	4 (****)
Power cut failure safe storage	18 hours (25°C)
Freezing capacity	9 Kg
Climate class	SN (10°C - 32°C)
Size (mm) (W x D x H)	595 x 548 x 818
Noise	41 dB (A)

We apologise for any inconvenience caused by minor change or inconsistencies in these instructions that may occur as a result of product improvements and development.





If you require any technical guidance or find that your product is not operating as intended, a simple solution can often be found in the Troubleshooting section of these instructions.

Product Support

7



Product support

Help is always at hand

Before Calling After-Sales Service

If you are experiencing a problem with your refrigerator, please check the following before contacting the after-sales service.

Your refrigerator does not operate

Check if:

- Your fridge is plugged in and switched on
- The fuse has blown
- The thermostat setting is on position '1'
- The socket is faulty. To check this, plug another working appliance into the same socket.

Your refrigerator is performing poorly

Check if:

- The appliance is overloaded
- The doors are closed properly
- There is any dust on the condenser
- There is an adequate distance between the appliance and surrounding walls

Your refrigerator is operating noisily

The following noises can be heard during normal operation of the appliance.

Cracking (ice cracking) noise occurs:

- During automatic defrosting.
- When the appliance is cooled or warmed (due to expansion of appliance material).

Clicking noise occurs: When the thermostat switches the compressor on/off.

Motor noise: Indicates the compressor is operating normally. The compressor may cause more noise for a short time when it is first activated.

Bubbling noise and splashing occurs: Due to the flow of the refrigerant in the tubes of the system.

Water flowing noise occurs: Due to water flowing to the evaporation container. This noise is normal during defrosting.

Air blowing noise occurs: During normal operation of the system due to the circulation of air.

There is a build-up of humidity inside the fridge

Check if:

- All food is packed properly. Containers must be dry before being placed in the fridge.
- The fridge doors are opened frequently. Humidity of the room will enter the fridge each time the doors are opened. Humidity increases faster if the doors are opened frequently, especially if the humidity of the room is high.
- There is a build-up of water droplets on the rear wall. This is normal after automatic defrosting (in Static Models).

The doors are not opening or closing properly

Check if:

- There is food or packaging preventing the door from closing
- The door compartments, shelves and drawers are placed properly
- The door gaskets are broken or torn
- Your fridge is level.

The edges of the fridge in contact with the door joint are warm

Especially during summer (warm weather), the surfaces in contact with the door joint may become warmer during operation of the compressor. This is normal.

About the water dispenser;

If the water flow is abnormal;

Check that;

- The tank is well installed.
- The tank gaskets are well assembled.

If dripping occurs;

Check that;

- The tap is well assembled.
- The tap gaskets are well assembled.

Product support

Help is always at hand

Important Notes:

- In the case of a power failure, or if the appliance is unplugged and plugged in again, the gas in the cooling system of your refrigerator will destabilise, causing the compressor protective thermal element to open. Your refrigerator will start to operate normally after 5 minutes.
- If the appliance will not be used for a long period of time (such as during holidays), disconnect the plug. Defrost and clean the refrigerator, leaving the door open to prevent the formation of mildew and odour.
- If the problem persists after you have followed all the instructions above, please consult the nearest Authorised Service Centre.
- This appliance is designed for domestic use and for the stated purposes only. It is not suitable for commercial or common use. If the consumer uses the appliance in a way that does not comply with these instructions, we emphasise that the manufacturer and the dealer will not be responsible for any repair or failure within the guarantee period.

Tips for Saving Energy

1. Install the appliance in a cool, well ventilated room, but not in direct sunlight or near heat sources (radiators, cooker, etc...).
2. Allow warm food and drinks to cool down before placing in the appliance.
3. When placing liquids in the appliance they must be covered.
4. When placing food and drinks, open the appliance door as briefly as possible.
5. Keep closed the covers of any different temperature compartments in the appliance (drawers ...etc).
6. Door seals should be kept clean and undamaged.

Product support

Help is always at hand

Help and assistance

If you require any technical guidance or find that your Built-Under Freezer is not operating as intended, a simple solution can often be found in the **Troubleshooting** section of these instructions or online at www.bush-support.com

If you still require further assistance, call one of our experts on **0345 257 7271***. To help give us give you a fast and efficient service please have the following information ready:

Model Ref.	<input type="text"/>	You can find these on the rating plate - a small information panel (usually a sticker or metal plate) on the rear of your appliance
Serial number	<input type="text"/>	
Date of purchase	<input type="text"/>	This will be shown on your receipt

Local call rates applies*

Lines open 8am-7pm Monday to Saturday and 10am-4pm Sunday.

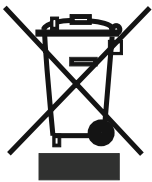
*Calls to Argos enquiry lines may attract a charge and set up fee from residential lines depending on your call plan/tariff . Mobile and other providers costs may vary, see www.bt.com/pricing for details.

For Security and training purposes, telephone calls to and from customer service centres maybe recorded and monitored. Calls from Republic of Ireland will attract international call charges.

Product support

Help is always at hand

Disposal



- The symbol on the product or on its packaging indicates that this product may not be treated as household waste. Instead it shall be handed over to the applicable collection point for the recycling of electrical and electronic equipment.
- By ensuring this product is disposed of correctly, you will help prevent potential negative consequences for the environment and human health, which could otherwise be caused by inappropriate waste handling of this product.
- For more detailed information about recycling of this product, please contact your local city office, your household waste disposal service or the shop where you purchased the product.

If you are creating instructions, you may find the following links helpful:

www.environmentlaw.org.uk

Product support

Help is always at hand



Call us now and activate your 12 month guarantee

Thank you for choosing Bush. Your new product is guaranteed against faults and breakdowns for 12 months. Don't forget to register it with us today so we can provide you with our best possible after-sales service and useful updates.

www.bushregistration.co.uk

FREEPHONE*

0800 597 8548

Lines are open 8am - 8pm, 365 days a year. *Calls may be recorded and monitored.

Your Bush Guarantee

This product is guaranteed for twelve months from the date of original purchase. Any defect that arises due to faulty materials or workmanship will be repaired free of charge (or if applicable the product will be replaced or the purchase price refunded) where possible during this period by the dealer from who your purchased the unit.

The guarantee is subject to the following provisions:

- The guarantee does not cover accidental damage, misuse, cabinet parts, knobs or consumable items.
- The product must be correctly installed and operated in accordance with the instructions contained in the manual.
- It must be used solely for domestic purposes. The guarantee will be rendered invalid if the product is re-sold or has been damaged by inexpert repair.
- Specifications are subject to change without notice.
- Bush disclaim any liability for loss or damage arising from the breakdown of the product.
- This guarantee is in addition to and does not diminish your statutory or legal rights.

Important Data Protection Information

If you provide us with information about another person, you confirm that they have appointed you to act for them, to consent to the processing of their personal data including sensitive personal data and that you have informed them of our identity and the purposes (as set out in the Important Data Privacy notice displayed overleaf) for which their personal data will be processed.

You are entitled to ask for a copy of the information we hold about you (for which we may charge a small fee) and to have any inaccuracies in your information corrected.

For quality control and training purposes, we may monitor or record your communications with us.

If your personal details change, if you change your mind about any of your marketing preferences or if you have any queries about how we use your information, please let us know by contacting our Data Protection Officer, Domestic & General, Leicester House 17 Leicester Street, Bedworth, Warwickshire CV12 8JP.

Guarantor: Argos Limited - 489 - 499 Avebury Blvd. - Milton Keynes - MK9 2NW

If you require any technical guidance or find that your product is not operating as intended, a simple solution can often be found in the Troubleshooting section of these instructions.

Product support

Help is always at hand

Call us now and activate your 12 month guarantee

Thank you for choosing Bush. Your new product is guaranteed against faults and breakdowns for 12 months. Don't forget to register it with us today so we can provide you with our best possible after-sales service and useful updates.

www.bushregistration.co.uk

FREEPHONE*

0800 597 8548

Lines are open 8am - 8pm, 365 days a year. *Calls may be recorded and monitored

Your Bush Guarantee

This product is guaranteed for twelve months from the date of original purchase. Any defect that arises due to faulty materials or workmanship will be repaired free of charge (or if applicable the product will be replaced or the purchase price refunded) where possible during this period by the dealer from who your purchased the unit.

The guarantee is subject to the following provisions:

- The guarantee does not cover accidental damage, misuse, cabinet parts, knobs or consumable items.
- The product must be correctly installed and operated in accordance with the instructions contained in the manual.
- It must be used solely for domestic purposes. The guarantee will be rendered invalid if the product is re-sold or has been damaged by inexpert repair.
- Specifications are subject to change without notice.
- Bush disclaim any liability for loss or damage arising from the breakdown of the product.
- This guarantee is in addition to and does not diminish your statutory or legal rights.

Important Data Protection Information

To find out how we and Domestic & General Insurance Plc use your data please refer to the guarantee registration material or visit www.bushregistrations.co.uk.

Guarantor: Argos Limited - 489 - 499 Avebury Blvd. - Milton Keynes - MK9 2NW

or online at www.bush-support.com If you still require further assistance, call one of our experts on 0345 257 7271.

BUSH

Contact:

www.bush-support.com

Helpline: 0345 257 7271