

BUSH

Instruction manual

DAB-182





You'll soon be enjoying your new DAB FM radio with colour screen.

It all begins here, with your instructions. Don't worry, there's nothing too technical coming up. Just simple, step-by-step guidance to get you up and running quickly. Sound good? Then let's get started.



Help and Guidance

We're here to help you get the most from your DAB/FM radio with colour screen. Should you require any guidance, a simple solution can often be found online at:

www.argos-support.co.uk

If you still require further assistance, call one of our experts on **0345 600 3021**.

If you require any technical guidance or find that your product is not operating as intended, a simple solution can often be found in the **Troubleshooting**

BUSH



Contents

1 Safety information

Help and Guidance	2
General safety information	8
Moisture and water	9
Ventilation	9
Heat sources and flames	9

2 Getting to know your DAB FM radio

Positioning your DAB/FM Radio	14
Power connection	14
Inserting the batteries (optional)	14

3 Using your DAB FM radio

Telescopic aerial	18
Switch on	18
Adjusting the volume	18
Change the mode	18
Time and date	19
Using headphones	20
DAB Radio mode	20
Changing DAB stations	20
Scanning for DAB stations	20
Prune DAB stations	21
Storing a DAB station preset	21
Tune to a DAB station preset	22
DAB display information	22
Dynamic range control (DRC)	23

section of these instructions, or online at www.argos-support.co.uk If you still require further assistance, call one of our experts on 0345 600 3021.

Contents

FM Radio mode	24
Tuning to an FM station	24
Changing the Scan setting	24
Audio mode	25
Storing an FM station preset	25
Tune to an FM station preset	26
FM display information	26
Setting the alarm	27
Stop the Alarm	27
Snooze	28
Turn off the Alarm	28
Sleep timer	28
Cancel the Sleep timer	28
Display backlight timeout	29
Display language	29
4 Other information	
Software version	32
Factory reset	32
Technical specification	33
5 Product support	
Troubleshooting	36
Help and assistance	37
Disposal	38
Your Bush Guarantee	39

If you require any technical guidance or find that your product is not operating as intended, a simple solution can often be found in the **Troubleshooting**

This page is left intentionally blank

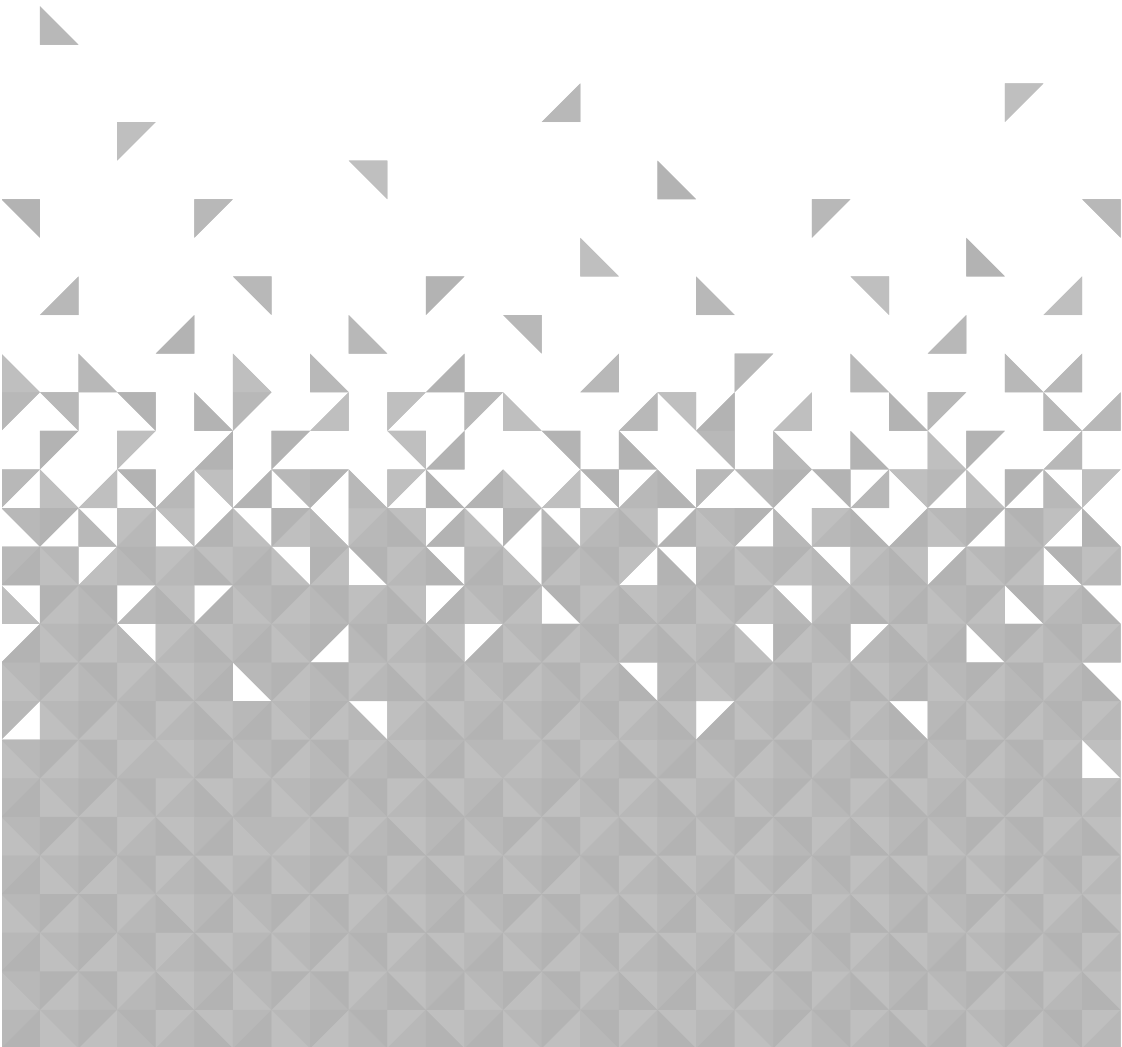


This page is left intentionally blank



Safety information

1





Safety information

Important - Please read these instructions fully before installing or operating

General safety information

- Keep the product and all its parts out of reach of small children.
- This product is not intended for use by persons (including children) with reduced physical, sensory or mental capabilities, or lack of experience and knowledge, unless they have been given supervision or instruction concerning the use of the appliance by a person responsible for their safety.
- Do not attempt to open the product. This product does not contain any user serviceable parts. Unauthorised handling of the device may damage it and will void your warranty.
- Do not use your radio near emergency/intensive care medical equipment or during an electrical storm.



To avoid possible hearing damage, do not listen to this radio at high volume levels for long periods of time. Always keep the volume within reasonable limits.

Power source

- Only use the power supply that came with the product. Using an unauthorised power supply will invalidate your guarantee and may irrecoverably damage the product.
- Disconnect your radio from the mains power supply during thunderstorms.
- Always check that you have completely switched off your radio, before you change or disconnect the power supply.
- Where the mains power plug or an appliance coupler is used as the disconnect device, the disconnect device shall remain readily operable.
- If the radio will not be used for a long period of time, make sure that all of the batteries are removed from the battery compartment and the mains power is unplugged.
- Only use recommended batteries or those of the same or equivalent type.
- **Do not** mix old and new batteries or batteries of different types.
- Batteries are to be inserted with the correct polarity.
- The supply terminals are not to be short-circuited.

If you require any technical guidance or find that your product is not operating as intended, a simple solution can often be found in the **Troubleshooting**



Safety information

Important - Please read these instructions fully before installing or operating

- Remove the batteries from the radio if they will not be used for an extended period of time.
- Never throw batteries in a fire or attempt to open the outer casing.
- Batteries are harmful if swallowed, so keep away from young children.

Moisture and water

- Keep it dry. Avoid exposure to precipitation, humidity and liquids which could all affect the product circuitry.
- **Do not** leave it in low temperatures as moisture can form inside the product, which may damage the circuit board.

Ventilation

- Do not block or cover slots, holes or openings on the product by placing on soft furnishings such as carpets, rugs or beds as these are provided for functionality and/or ventilation to ensure safe operation of the product

Heat sources and flames

- **Do not** leave it in high temperatures as electronic devices and plastic parts may warp in heat.
- Keep it away from bright sunlight or heat sources, such as a radiator.

section of these instructions, or online at www.argos-support.co.uk If you still require further assistance, call one of our experts on 0345 600 3021.

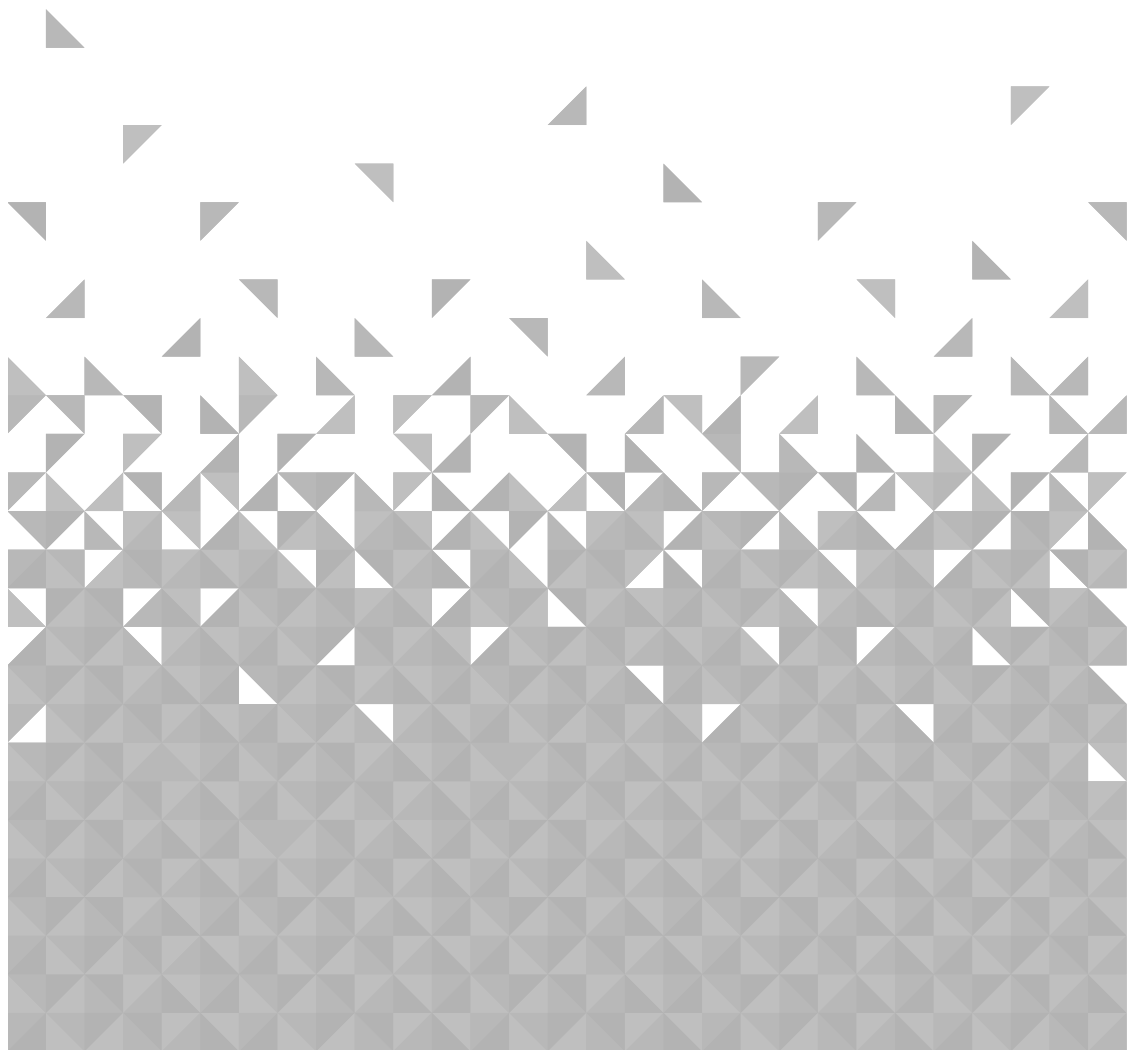


This page is left intentionally blank



Getting to know your DAB FM radio with colour screen

2



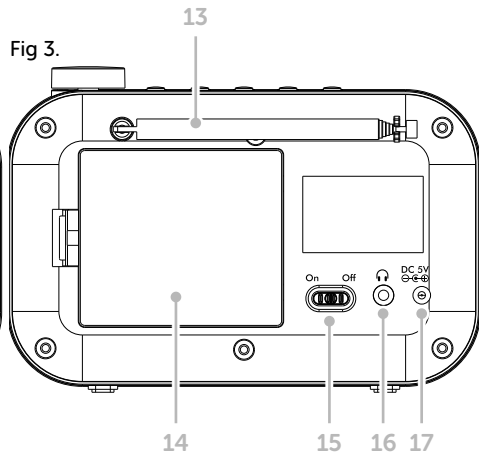
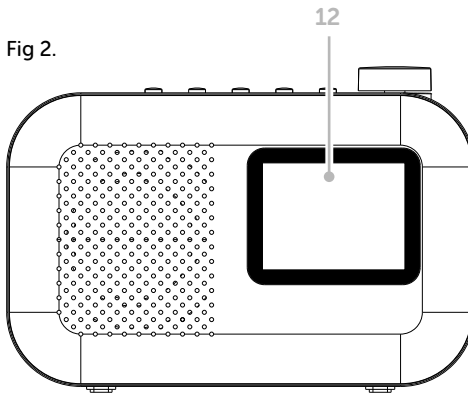
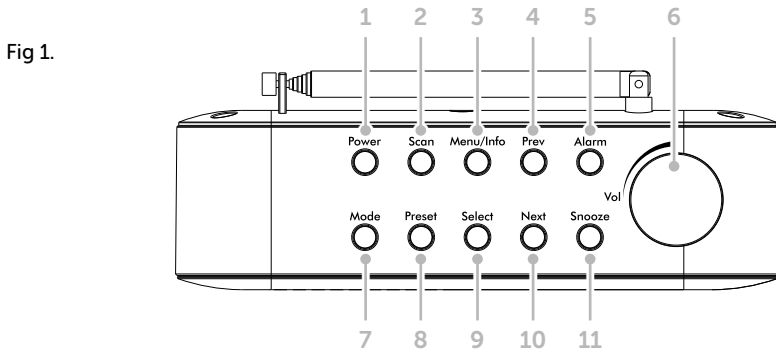
Getting to know your DAB FM radio

You'll be up and running in no time

Ready? Let's begin...

Please read these instructions carefully. They contain important information which will help you get the best from your product and ensure safe and correct installation and operation.

If you require any further assistance, our technical experts are happy to help. For full details, refer to the product support section at the end of these instructions.



If you require any technical guidance or find that your product is not operating as intended, a simple solution can often be found in the **Troubleshooting**

Getting to know your DAB FM radio

You'll be up and running in no time

1. Power on/standby
 - Short press: Power on
 - Short press Standby (Mains power only)
 - Short press: Power off (Batteries only)
2. Scan for radio stations
3. Menu/Info
 - Short press: Station information
 - Long press: Enter the Menu options
 - Short press (within the Menu): Steps back and exits the Menu
4. Prev
 - » Short press:
 - In DAB mode: Move up the DAB station list
 - In FM mode: Move down the frequency band by 0.05MHz
 - In the Menu: Move through the Menu options
 - » Long press:
 - In FM mode: Scan down the frequency band
5. Alarm:
 - Short press: Alarm options
6. Rotary volume control
7. Change the Mode (DAB/FM)
8. Radio presets
9. Select
10. Next
 - » Short press:
 - In DAB mode: Move down the DAB station list
 - In FM mode: Move up the frequency band by 0.05MHz
 - In the Menu: Move through the Menu options
 - » Long press:
 - In FM mode: Scan up the frequency band
11. Snooze
12. Backlit colour display
13. Telescopic radio aerial
14. Battery compartment
15. Power On/Off switch
16. Headphone socket
17. Power lead socket

section of these instructions, or online at www.argos-support.co.uk If you still require further assistance, call one of our experts on 0345 600 3021.

Getting to know your DAB FM radio

You'll be up and running in no time

Positioning your DAB/FM Radio

Please consider carefully in advance where your radio will be situated and make sure that it is:

- on a flat and stable surface.
- within 1.4 metres of a power socket (if using mains power). Please ensure that the mains power lead is not a trip hazard.
- at least 1 metre away from other electrical appliances to avoid interference.
- where you can fully extend the telescopic aerial.
- never place your radio directly onto antique or polished surfaces.

Power connection

1. Connect the mains power lead into the socket on the back of the radio and fully extend the telescopic aerial in a vertical position to obtain the maximum signal strength.
2. Plug the power adaptor into the mains power wall socket and switch on.
3. Slide the On/Off power switch on the back of the radio to On. The product display will light up, 'Welcome to Digital Radio' will be displayed and then your radio will go to Standby mode.

Note: When you are using batteries to power your radio, slide the On/Off power switch on the back of the radio to On, press and release the Power button, then the product display will light up, 'Welcome to Digital Radio' will be displayed and then your radio will immediately scan for DAB stations. There is no Standby mode when you are using battery power.

Inserting the batteries (optional)

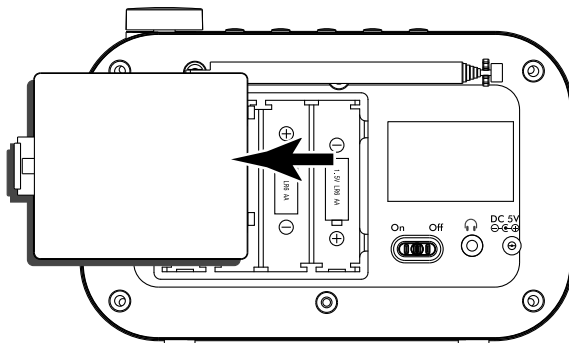
1. Before installing the batteries (not included) please ensure that the radio is switched off (slide the power switch on the back to Off) and is unplugged from the mains power supply.

If you require any technical guidance or find that your product is not operating as intended, a simple solution can often be found in the **Troubleshooting**

Getting to know your DAB FM radio

You'll be up and running in no time

2. On the back of the radio, push in the tab to release and remove the battery compartment cover.
3. Insert 4 x 1.5V AA-size (also known as LR6) batteries, making sure to note the '+' and '-' markings and position the batteries the correct way around..



4. Replace the battery cover, making sure it 'clicks' shut.

Note: For battery operation, please ensure that the mains power is switched off and remove the mains power plug from the socket, on the back of the radio.

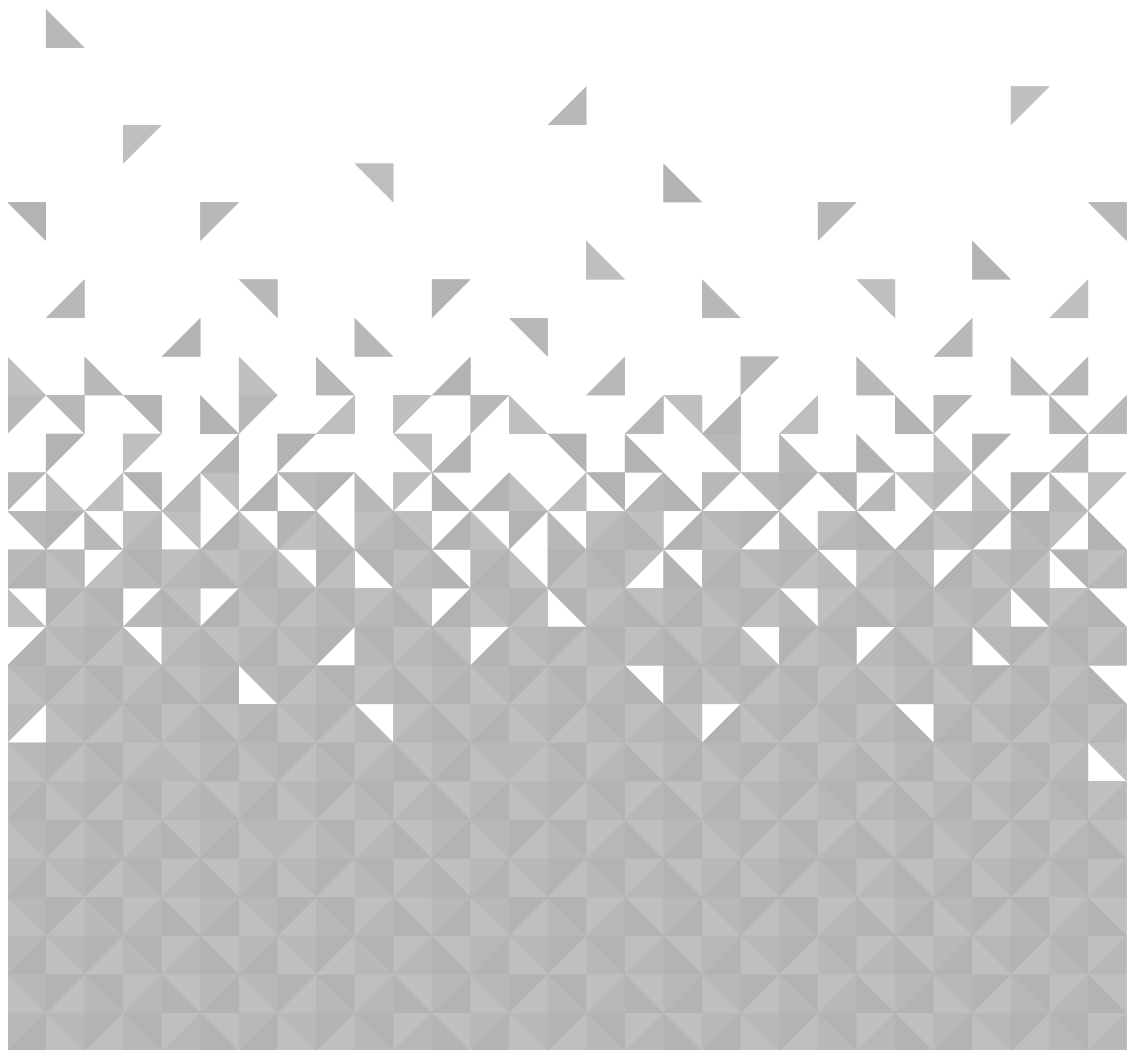


This page is left intentionally blank



Using your DAB FM radio with colour screen

3



Using your DAB FM radio

Let's get started

Telescopic aerial

Please make sure that the aerial is fully extended before you switch on your radio and attempt to tune to a DAB station (a vertical position is recommended). This will ensure that the maximum signal strength is available when the radio begins to scan. Extending the aerial also ensures the best possible sound quality.

Switch on

1. Press and release the Power button on the top of your radio. Your radio will switch on and begin an automatic scan for DAB stations. A progress bar will show the progress of the scan and the number of stations found during the scan will also be displayed.

Note: When using battery power, your radio will scan for DAB stations after you slide the On/Off power switch on the back of the radio to On. There is no Standby mode when you are using battery power.

2. When the scan is complete your radio will select the first available station and begin to play. Stations are listed in numerical and then alphabetical order by default.

Note: The DAB radio station list is stored in the memory and so the next time you switch your radio on, the station search does not take place. It is possible to scan manually for stations by pressing and releasing the Scan button.

Adjusting the volume

- Turn clockwise to increase the volume.
- Turn anti-clockwise to decrease the volume.
- Check the display, which will confirm the volume setting.

Change the mode

Press and release the Mode button to change between DAB and FM modes. Please check the display, which will confirm the mode.

If you require any technical guidance or find that your product is not operating as intended, a simple solution can often be found in the **Troubleshooting**

Using your DAB FM radio

Let's get started

Time and date

The first time you listen to DAB radio, the time and date of your product will be synchronised automatically to that broadcast by the DAB service in 24 hour mode; which is in line with daylight saving, so there is no need to set the time and date manually.

If you do wish to set the time and date manually, turn on the radio and follow the steps below:

1. Press and hold the Menu/Info button to enter the menu options.
2. Press and release the Next button to scroll to System Settings. Press and release the Select button.
3. Press and release the Next button to scroll to Time/Date. Press and release the Select button. Set Time/Date is displayed. Press and release the Select button.
4. The day will flash. Press and release the Prev or Next button to scroll to the correct day. Press and release the Select button.
5. The month will flash. Press and release the Prev or Next button to scroll to the correct month. Press and release the Select button.
6. The year will flash. Press and release the Prev or Next button to scroll to the correct year. Press and release the Select button.
7. The hour digits will flash. Press and release the Prev or Next button to scroll to the correct hour. Press and release the Select button.
8. The minutes will now flash. Press and release the Prev or Next button to scroll to the correct minutes. Press and release the Select button. 'Time Saved' is displayed and the display returns to the Time/Date options.

You can now use the Prev and Next buttons, together with the Select button, as you did to set the time and date to change the settings for:

- Auto Update to update the time from the DAB signal, FM signal, DAB or FM signal or no update.
- Set 12/24 Hour clock display
- Set Date Format, DD-MM-YYYY or MM-DD-YYYY

section of these instructions, or online at www.argos-support.co.uk If you still require further assistance, call one of our experts on 0345 600 3021.

Using your DAB FM radio

Let's get started

Using headphones

You can connect headphones with a 3.5mm plug (not included) to your radio. The stereo headphone socket can be found on the back of the radio at the bottom. When you have headphones connected the radio speaker is switched off and all sound is via the headphones.

Note: Always keep the volume within reasonable limits.

DAB Radio mode

Check that your radio is in DAB mode. If you are not already in DAB mode, press and release the Mode button until you are in DAB mode (check the display).

The first time you use the Radio or if the station list is empty, your radio will automatically begin to scan for DAB radio stations. A progress bar will show the progress of the scan and the number of stations found during the scan will also be displayed.

If you were listening to a DAB station when you switched the radio off, then this station will automatically be selected when you switch the radio back on.

Changing DAB stations

1. Press and release the Next and Prev buttons to scroll through the available stations.
2. When the station that you would like to listen to is displayed, press and release the Select button to confirm. There will be a short delay whilst your radio tunes to your selected station.

Scanning for DAB stations

With DAB radio, additional stations and services regularly become available so it's a good idea to carry out a manual scan every now and then to make sure that you have the most up to date station listing stored within the memory of your Radio. If you have moved your Radio to another location, e.g.: if you go on holiday, then it's also a good idea to carry out a manual scan.

If you require any technical guidance or find that your product is not operating as intended, a simple solution can often be found in the **Troubleshooting**

Using your DAB FM radio

Let's get started

In DAB mode:

1. Press and release the 'Scan' button to begin a search for stations. The display will change to 'Scanning...'. A progress bar will show the progress of the scan and the number of stations found during the scan will also be displayed.

Prune DAB stations

You can remove the DAB stations in the station list that cannot be received in your area. These are listed with a '?' prefix.

In DAB mode:

1. Press and hold the Menu/Info button to enter the menu options.
2. Press and release the Next button to scroll to Prune Invalid. Press and release the Select button.
3. Proceed to prune the invalid stations Yes No is displayed. Press and release the Prev button to scroll to Yes. Press and release the Select button to confirm and prune the station list. Stations with a '?' prefix will now no longer be displayed.

Storing a DAB station preset

Your radio can store up to 10 DAB radio stations in its preset memories for instant access to your favourite stations.

1. Tune the Radio to the DAB radio station that you wish to preset.
2. Press and hold the Preset button for approximately 2 seconds until Save to Preset and the numbered preset list is displayed.
3. Press and release the Prev or Next button to scroll to the preset location that you would like to store the radio station to (1-10).
4. Press and release the Select button to confirm. Preset X saved, where 'X' is the number of the preset (1-10), will be displayed.

Note: If there is already an existing DAB station stored under a preset, it will be over written when you store the new station.

section of these instructions, or online at www.argos-support.co.uk If you still require further assistance, call one of our experts on 0345 600 3021.

Using your DAB FM radio

Let's get started

Tune to a DAB station preset

In DAB mode:

1. Press and release the Preset button. Preset Recall is displayed together with the numbered preset list and the name or frequency of the station stored there, or (Empty) if no previous station has been stored.
2. Press and release the Prev or Next button to scroll to the preset location and station that you would like to listen to (1-10).
3. Press and release the Select button to confirm. The radio will instantly tune to that station and begin to play.

Note: If no DAB station has been stored under the preset button, '1 Preset Empty' will be displayed, then the radio will revert to the previously selected radio station.

DAB display information

When listening to a DAB station you can change the information that will appear on the display. There are several different types of information that are sent by the broadcaster.

- **Dynamic Label Segment (DLS)** - this is text information supplied by the broadcaster. Information could be the name of an artist or music title, DJ's name, contact details for the radio station etc.
- **Program Type (PTY)** - such as 'Rock', 'Pop', 'Talk' or 'News'
- **Multiplex Name** - displays the broadcasting area and collection of radio stations on this frequency e.g.: BBC National DAB, Digital 1 Network.
- **Channel and Frequency** - e.g.: 12B 225.648 MHz
- **Signal error and Strength** - the signal error is displayed as a number between 0-99. It would not be possible to satisfactorily listen to a radio station with a signal error rate of 30 or above. The signal strength is displayed as a row of solid rectangles. Two black lines within the solid rectangles indicate the minimum signal strength for acceptable listening. The stronger the signal, the further to the right the row of solid rectangles will be. Try adjusting the aerial or relocating your radio to improve reception.

If you require any technical guidance or find that your product is not operating as intended, a simple solution can often be found in the **Troubleshooting**

Using your DAB FM radio

Let's get started

- **Signal information** - the data rate at which the signal is being transmitted.
 - **Power source** - mains or Battery power.
 - **Time and date** - supplied by the broadcaster.
1. Repeatedly press and release the Menu/Info button to cycle through the different information options.

Dynamic range control (DRC)

In DAB mode:

The dynamic range for each radio programme is set by the broadcaster for each radio station and may be different for the types of programme broadcast, such as pop or classical music or a chat show. The dynamic range control signal is transmitted in parallel with the audio signal for each programme and with your radio you can use this control signal to expand or compress the dynamic range (the difference between the loudest and quietest sounds) of the reproduced audio signal. Changing the dynamic range can affect the 'loudness' and/or 'quality of sound' of the programme that you hear so that it will be more suited to your listening conditions and your own personal listening requirements. e.g. in a noisy environment, where quiet sounds might be swamped, setting the compression to maximum will 'boost' the quiet sounds, whilst keeping the loudest sounds at their original level.

There are 3 levels of compression:

- **DRC off** - no compression. This is the default setting.
 - **DRC low** - medium compression.
 - **DRC high** - maximum compression.
1. Press and hold the Menu/Info button to enter the menu options.
 2. Press and release the Next button to scroll to DRC. Press and release the Select button. The current DRC setting will be highlighted.
 3. Press and release the Next button to scroll through the options available and press and release the Select button to confirm.

section of these instructions, or online at www.argos-support.co.uk If you still require further assistance, call one of our experts on 0345 600 3021.

Using your DAB FM radio

Let's get started

FM Radio mode

If you are not already in FM mode, press and release the Mode button to go to FM mode (check the display).

If you were listening to an FM station when you switched the radio off then this station will be automatically selected when you switch the radio back on.

Tuning to an FM station

- Press and hold the Next button to scan up the frequency band.
- Press and hold the Prev button to scan down the frequency band.
- Press and release the Next or Prev button to fine tune each frequency in 0.05MHz steps.

Note: If reception is still poor try moving the radio to another location.

Changing the Scan setting

In FM mode:

1. Press and hold the Menu/Info button to enter the menu options.
2. Press and release the Next button until FM Scan setting is displayed. Press and release the Select button. The current Scan setting will be highlighted.

There are two different options to choose from:

- **Strong Stations Only** - The scan will only stop when a strong signal strength is received which should also result in a better audio quality. It is possible that the station you are scanning for may be missed using this option.
 - **All Stations** - The scan will stop for every station it receives, even if the signal strength is poor.
3. Press and release the Next button to choose from the two options available and press and release the Select button to confirm.

If you require any technical guidance or find that your product is not operating as intended, a simple solution can often be found in the **Troubleshooting**

Using your DAB FM radio

Let's get started

Audio mode

The radio will automatically switch between Stereo and Mono, depending on the quality of the signal being received but you can override this function and manually switch between 'Forced Mono' and 'Stereo Allowed'.

Note: As this is a Mono radio, you may wish to only select the 'Stereo Allowed' option if you are listening to your radio using headphones.

1. Press and hold the Menu/Info button to enter the menu options.
2. Press and release the Next button to scroll to Audio Setting. Press and release the Select button.
There are now two options of Stereo Allowed and Forced Mono displayed. The current setting will be highlighted.
3. Press and release the Next button to choose from the two options available. Press and release the Select button to confirm.

Storing an FM station preset

Your radio can store up to 10 FM radio stations in its preset memories for instant access to your favourite stations.

1. Tune the radio to the FM radio station that you wish to preset.
2. Press and hold the Preset button for approximately 2 seconds until Save to Preset and the numbered preset list is displayed.
3. Press and release the Prev or Next button to scroll to the preset location that you would like to store the radio station to (1-10).
4. Press and release the Select button to confirm. Preset X saved, where 'X' is the number of the preset (1-10), will be displayed.

Note: If there is already an existing FM station stored under a preset, it will be overwritten when you store the new station.

Using your DAB FM radio

Let's get started

Tune to an FM station preset

In FM mode:

1. Press and release the Preset button. Preset Recall is displayed together with the numbered preset list and the name or frequency of the station stored there, or (Empty) if no previous station has been stored.
2. Press and release the Prev or Next button to scroll to the preset location and station that you would like to listen to (1-10).
3. Press and release the Select button to confirm. The radio will instantly tune to that station and begin to play.

Note: If no FM station has been stored under the preset button, Preset Empty will be displayed, then the radio will revert to the previously selected radio station.

FM display information

When listening to an FM station you can change the information that will appear on the second line of the display.

- **Radiotext (RT)** - This is text information supplied by the broadcaster. Information could be the name of an artist or music title, DJ's name, contact details for the radio station etc.
 - **Program Type (PTY)** - Such as 'Rock', 'Pop', 'Talk' or 'News'
 - **Station name or frequency** - Such as BBC R4 or 93.30MHz.
 - **Audio mode** - Stereo or Mono.
 - **Power source** - Mains or Battery power.
 - **Time and date** - supplied by the broadcaster.
1. Repeatedly press and release the Menu/Info button to cycle through the different information options.

If you require any technical guidance or find that your product is not operating as intended, a simple solution can often be found in the **Troubleshooting**

Using your DAB FM radio

Let's get started

Setting the alarm

Note: Check that the radio has the correct time and date before you set an alarm.

With your radio switched on (not in Standby mode):

1. Press and release the Alarm button.
2. Alarm 1 and Alarm 2 are displayed. Use the Next button to highlight the alarm that you'd like to set.
3. Press and release the Select button to display the Alarm information and options available.
4. Use the Prev or Next button to scroll to each Alarm option in the list. Press the Select button. Use the Prev or Next button to change each setting and press the Select button to confirm.

Note: Remember to set the alarm radio volume to one that will wake you. The alarm volume will increase progressively until it reaches the alarm volume you have set.

5. Check that you have selected to turn the Alarm 'On' before you exit the Alarm menu.
6. When an alarm has been set, an alarm clock symbol will appear at the bottom of the display, when the radio is on. In Standby mode (Mains Power only), the time you have set for each alarm (Alarm 1 and/or Alarm 2) will also be displayed.

Stop the Alarm

When the alarm sounds, press and release any button, Alarm off is displayed. Alternatively, you can press and release the Snooze button (see Snooze function below).

Note: The alarm symbol will remain in the display and the alarm will sound again at the same time the next day, unless it was set for 'Once' only.

Using your DAB FM radio

Let's get started

Snooze

When the alarm sounds you can press and release the Snooze button to snooze for 10 minutes. A snooze time countdown will be displayed until the alarm sounds again.

Turn off the Alarm

1. Press and release the Alarm button. Use the Next button to highlight the alarm (1 or 2), that you would like to turn off. Press and release the Select button.
2. Alarm is highlighted. Press and release the Select button to turn the alarm off (or on again). 'Off' will now be displayed next to the alarm clock symbol in Standby mode.

Sleep timer

You can set your radio to turn off automatically using the sleep timer. You can choose from Sleep off, 15, 30, 45, 60 and 90 minutes.

With your radio switched on (not in Standby mode):

1. Press and hold the Menu/Info button to enter the menu options.
2. Press and release the Prev or Next buttons to scroll to System Settings. Press and release the Select button.
3. Sleep is highlighted. Press and release the Select button.
4. Press and release the Prev or Next buttons to scroll through the available sleep timer options (Sleep off, 15, 30, 45, 60 and 90 minutes). Stop when the sleep time you would like is displayed and press and release the Select button.
5. The sleep time half moon symbol together with the minutes that you have selected will be displayed at the bottom of the radio display and will countdown until the radio switches off.

Cancel the Sleep timer

With your radio switched on (not in Standby mode), follow the steps to set the Sleep timer, as above, and select 'Sleep Timer Off' in step 4.

If you require any technical guidance or find that your product is not operating as intended, a simple solution can often be found in the **Troubleshooting**

Using your DAB FM radio

Let's get started

Display backlight timeout

You can adjust the display backlight timeout. Options of permanently On, 10, 20, 30, 45, 60, 90, 120, and 180 seconds are available.

With your radio switched on (not in Standby mode):

1. Press and hold the Menu/Info button to enter the menu options.
2. Press and release the Prev or Next button to scroll to System Settings. Press and release the Select button.
3. Press and release the Next button to scroll to Backlight. Press and release the Select button.
4. Timeout is highlighted. Press and release the Select button. Press and release the Prev or Next buttons to scroll to the backlight timeout option you would like. Permanently On, 10, 20, 30, 45, 60, 90, 120 or 180 second options are available. Press and release the Select button.

You can now use the Prev or Next buttons to scroll and the Select button to confirm, as you did to set the Backlight timeout, to change the settings for the backlight brightness for the On level and Dim level. There are 3 options available, High, Medium and Low and the current setting will be highlighted.

Display language

You can change the display language of your radio, there are 4 options available; English, German, French and Italian. The current setting will be highlighted.

With your radio switched on (not in Standby mode):

1. Press and hold the Menu/Info button to enter the menu options.
2. Press and release the Prev or Next buttons to scroll to System Settings. Press and release the Select button.
3. Press and release the Prev or Next button to scroll to Language. Press and release the Select button.
4. Press and release the Prev or Next buttons to scroll to the language you would like. Press and release the Select button to confirm.

section of these instructions, or online at www.argos-support.co.uk If you still require further assistance, call one of our experts on 0345 600 3021.



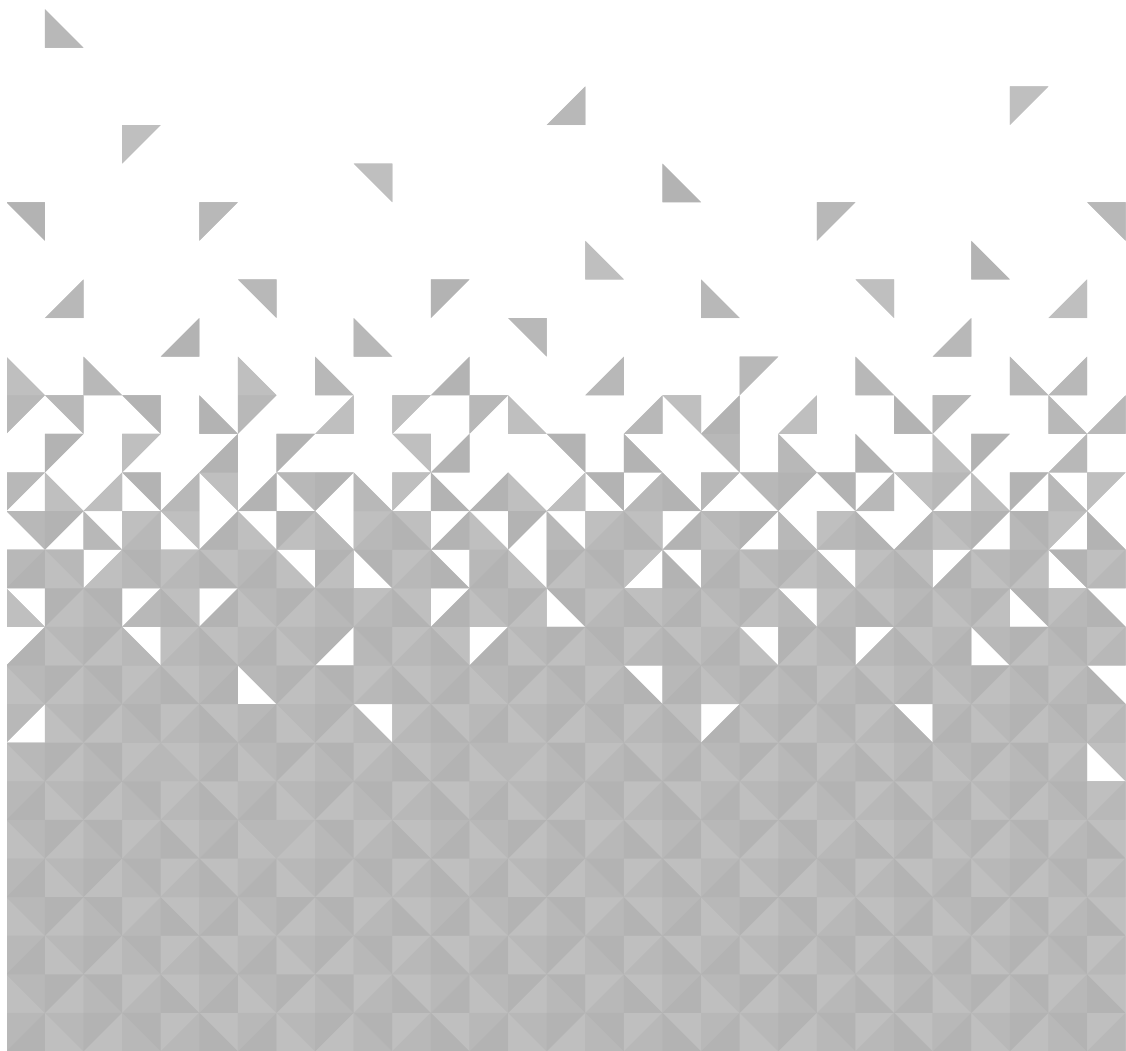
This page is left intentionally blank





Other information

4



Other information

Helpful technical information

Software version

You can check the software version of your radio.

With your radio switched on (not in Standby mode):

1. Press and hold the Menu/Info button to enter the menu options
2. Press and release the Prev or Next buttons to scroll to System Settings. Press and release the Select button.
3. Press and release the Prev or Next buttons to scroll to Software Version. Press and release the Select button.

The software version will be displayed and you may wish to make a note of it here:

.....

Factory reset

You can reset your radio and restore all of the original factory settings.

Note: All of your settings, including stored radio station presets and the station list will be deleted when you reset your radio.

With your radio switched on (not in Standby mode):

1. Press and hold the Menu/Info button to enter the menu options.
2. Press and release the Prev or Next buttons to scroll to System Settings. Press and release the Select button.
3. Press and release the Prev or Next buttons to scroll to Factory Reset. Press and release the Select button. Factory Reset Yes No will be displayed.
4. Press and release the Prev button to highlight Yes. Press and release the Select button.

If you require any technical guidance or find that your product is not operating as intended, a simple solution can often be found in the **Troubleshooting**

Other information

Helpful technical information

5. Restarting... will be displayed. After a few seconds the display will change to 'Welcome to Digital Radio' and will then go to Standby mode. When you next power on your radio from Standby mode, it will begin an automatic scan for DAB stations. A progress bar will show the progress of the scan and the number of stations found during the scan will also be displayed. When the scan is complete your radio will select the first available station and begin to play. Stations are listed in numerical and then alphabetical order by default.

Technical specification

Power adaptor:	Output DC 5V 1A Input AC 100-240V 50/60Hz 0.2A
Batteries:	
(Optional, not supplied):	4 x 1.5V AA size (LR6)
Audio output:	1 x 3W RMS
Frequency range:	
DAB:	Band III, 174 MHz to 240 MHz
FM:	87.5 MHz to 108 MHz

section of these instructions, or online at www.argos-support.co.uk If you still require further assistance, call one of our experts on 0345 600 3021.

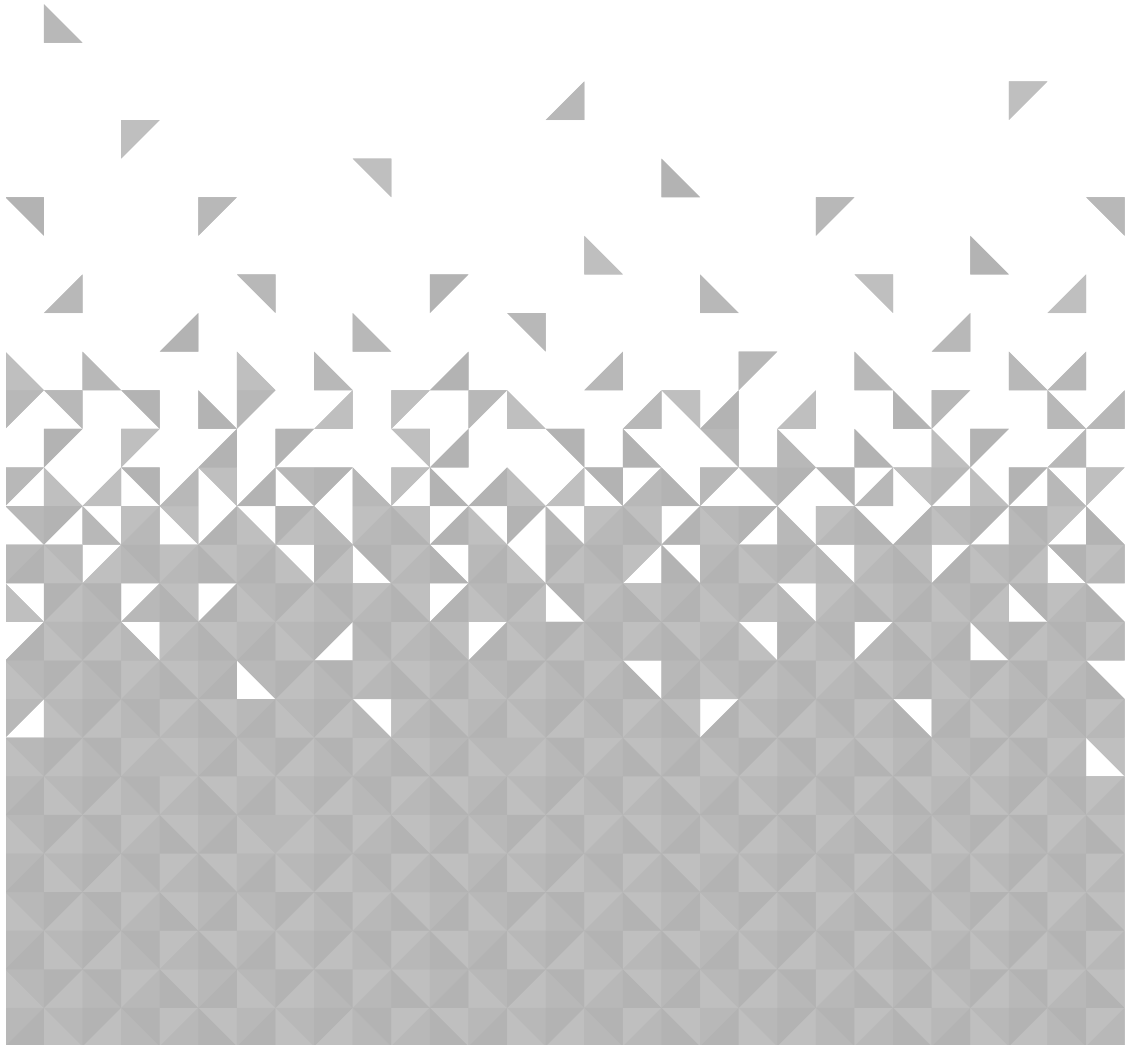


This page is left intentionally blank



Product support

5



Product support

Help is always at hand

Troubleshooting

No sound / power:

- Adjust the volume.
- Check that the mains power wall socket is switched on and the power switch on the back of the radio is On. Press and release the Power button on the top of the radio.
- If you have batteries fitted, they may be exhausted and need to be replaced. Please use only good quality AA size batteries.
- You may have headphones connected. Either use the headphones to listen to your radio or unplug the headphones.

Radio reception is poor:

- Fully extend the telescopic aerial to get the best reception and sound quality.
- Retune for radio stations, see pages 20 and 24.
- Try moving your radio to another location to see if reception improves.
- Check that you do not have other electrical equipment too close to your Radio, causing interference.
- Visit www.digitalradionow.com for information about DAB reception in your area.

The function buttons do not respond:

- Check that the mains power wall socket is switched on and the power switch on the back of the radio is On. Press and release the Power button on the top of the radio.
- If you are using batteries, they may be exhausted and need to be replaced.
- Try a reset to factory defaults. See page 32.

Note: All of your settings, including stored radio station presets and the station list will be deleted when you reset your radio.

If you require any technical guidance or find that your product is not operating as intended, a simple solution can often be found in the **Troubleshooting**

Product support

Help is always at hand

Help and assistance

If you require any technical guidance or find that your DAB FM radio with colour screen is not operating as intended, a simple solution can often be found in the **Troubleshooting** section of these instructions or online at www.argos-support.co.uk

If you still require further assistance, call one of our experts on **0345 600 3021***. To help give us give you a fast and efficient service please have the following information ready:

Model Ref.

Serial number

You can find these on the rating plate - a small information panel (usually a sticker or metal plate) on the rear of your product.

Date of purchase

This will be shown on your receipt

Local call rates applies*

Lines open 8am-7pm Monday to Saturday and 10am-4pm Sunday.

*Calls to Argos enquiry lines may attract a charge and set up fee from residential lines depending on your call plan/tariff. Mobile and other providers costs may vary, see www.bt.com/pricing for details.

For security and training purposes, telephone calls to and from customer service centres may be recorded and monitored. Calls from Republic of Ireland will attract international call charges.

section of these instructions, or online at www.argos-support.co.uk If you still require further assistance, call one of our experts on 0345 600 3021.

Product support

Help is always at hand

Disposal



- This product should not be treated as normal household waste and it should be recycled. Please take it to your nearest collection facility or for further details contact your local council or visit www.recycle-more.co.uk
- Batteries contain substances that may be harmful to the environment and human health. Keep out of the reach of children and seek immediate medical help if swallowed.
- Batteries should not be disposed of in the normal household waste but taken to appropriate local recycling facilities, where and when these are available.
- Never throw batteries in a fire or attempt to open the outer casing.

If you require any technical guidance or find that your product is not operating as intended, a simple solution can often be found in the **Troubleshooting**

Product support

Help is always at hand

BUSH

Call us now and activate your 12 month guarantee

Thank you for choosing Bush. Your new product is guaranteed against faults and breakdowns for 12 months. Don't forget to register it with us today so we can provide you with our best possible after-sales service and useful updates.

www.bushregistration.co.uk

FREEPHONE*

0800 597 8548

Lines are open 8am - 8pm, 365 days a year. *Calls may be recorded and monitored.

Your Bush Guarantee

This product is guaranteed for twelve months from the date of original purchase. Any defect that arises due to faulty materials or workmanship will be repaired free of charge (or if applicable the product will be replaced or the purchase price refunded) where possible during this period by the dealer from who your purchased the unit.

The guarantee is subject to the following provisions:

- The guarantee does not cover accidental damage, misuse, cabinet parts, knobs or consumable items.
- The product must be correctly installed and operated in accordance with the instructions contained in the manual.
- It must be used solely for domestic purposes. The guarantee will be rendered invalid if the product is re-sold or has been damaged by inexpert repair.
- Specifications are subject to change without notice.
- Bush disclaim any liability for loss or damage arising from the breakdown of the product.
- This guarantee is in addition to and does not diminish your statutory or legal rights.

Important Data Protection Information

If you provide us with information about another person, you confirm that they have appointed you to act for them, to consent to the processing of their personal data including sensitive personal data and that you have informed them of our identity and the purposes (as set out in the Important Data Privacy notice displayed overleaf) for which their personal data will be processed.

You are entitled to ask for a copy of the information we hold about you (for which we may charge a small fee) and to have any inaccuracies in your information corrected.

For quality control and training purposes, we may monitor or record your communications with us.

If your personal details change, if you change your mind about any of your marketing preferences or if you have any queries about how we use your information, please let us know by contacting our Data Protection Officer, Domestic & General, Leicester House 17 Leicester Street, Bedworth, Warwickshire CV12 8JP.

Guarantor: Argos Limited - 489 - 499 Avebury Blvd. - Milton Keynes - MK9 2NW

section of these instructions, or online at www.argos-support.co.uk If you still require further assistance, call one of our experts on 0345 600 3021.

BUSH

Contact:

www.argos-support.co.uk

Helpline: 0345 600 3021

 DAB Digital
Radio