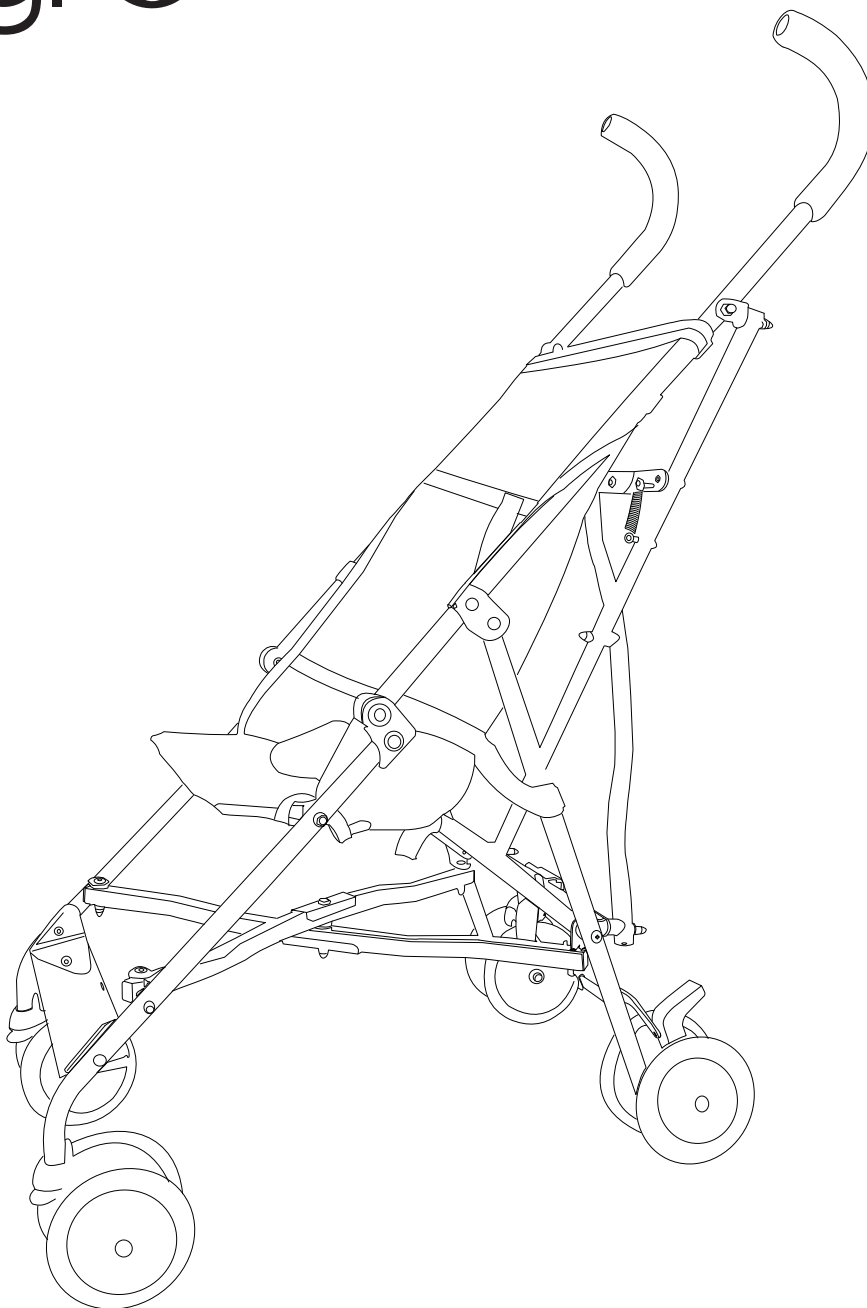



CUGGL BIRCH STROLLER

IMPORTANT! KEEP THE INSTRUCTION FOR FURTHER REFERENCE

701/9692

cuggl 



	33lbs
	up to 15kg

Important-Please read the instruction fully before starting assembly

If you need help or have further question, call the Customer Helpline **03456 400 800**



Safety Information

Important-Please read the instruction before assembly and keep it for further reference

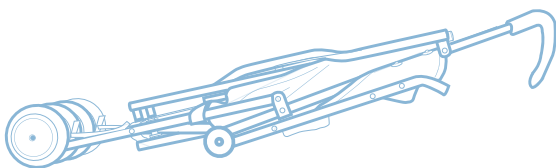
Thank you for choosing our product .Please always read all the instructions provided carefully before use and remember, your child's safety may be affected if you do not follow these instructions. The stroller is suitable for 7-36 months old children.The max load of the stroller is 15kg, never overloaded.

- **WARNING:** This pushchair is not suitable for children under 6 months.
- **WARNING:** Accessories which are not approved by the manufacturer shall not be used.
- **WARNING:** Any load attached to the handle and/or on the back and/or on the side will affect the stability of the vehicle .
- **WARNING:** Use the stroller for only one child at a time.
- **WARNING:** Do not use if any part is broken, torn or missing .
- **WARNING:** Never leave your child unattended.
- **WARNING:** Avoid placing the stroller near naked heat sources such as electric bar fires, gas fires, etc. or where a child could gain access to any other kinds of hazard.
- **WARNING:** Always use the harness provided and make sure the harness is correctly fitted.
- **WARNING:** The maximum permissible loading for shopping basket is 1 kg.
- **WARNING:** Ensure all locking devices are engaged before use.
- **WARNING:** This product is not suitable for running or skating.
- **WARNING:** To avoid injury ensure that your child is kept away when unfolding and folding this product.
- **WARNING:** Do not let your child play with this product.
- **WARNING:** The parking device shall be engaged when placing and removing the children.
- **WARNING:** Only replacement parts supplied or recommended by the manufacturer/distributor shall be used.

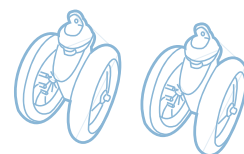
Components

If you need help or have further question,
call the Customer Helpline **03456 400 800**

Please check if you have all the parts listed below before starting assembly

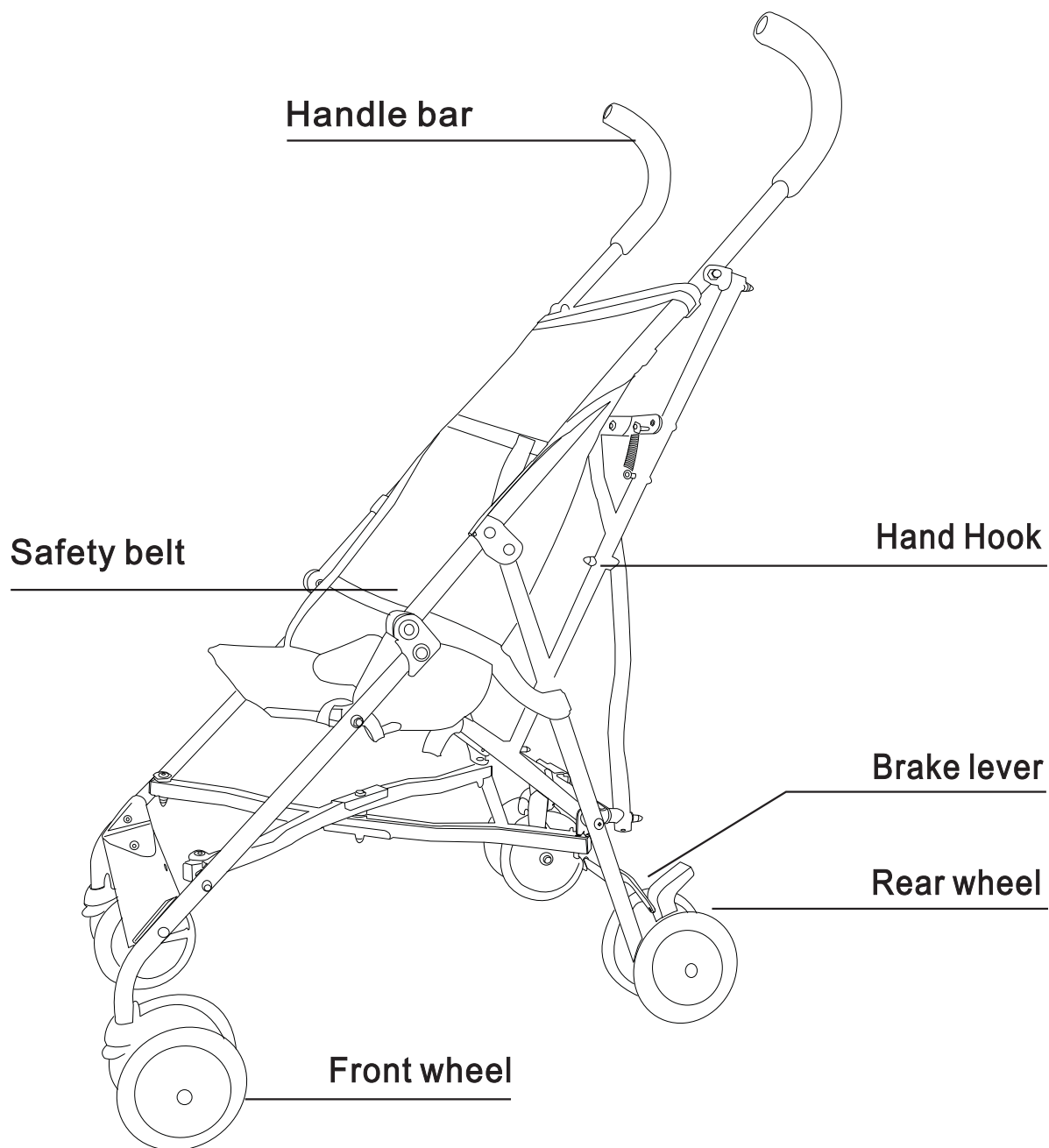


stroller x1



wheels x2

Name of parts

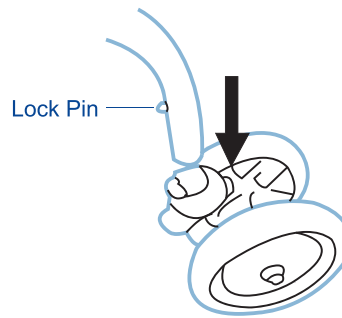


Assembly Instructions

Step 1

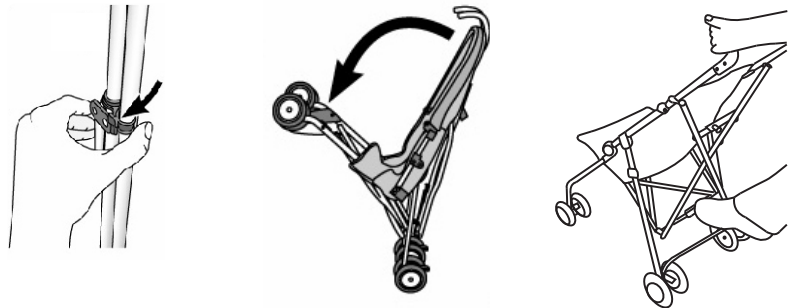
Assemble the front wheels

- 1 Press down the lock pin on the front tube.
- 2 Insert the front tube into the adaptor on the front wheel, until the lock pin position in the plastic hole.



Step 2

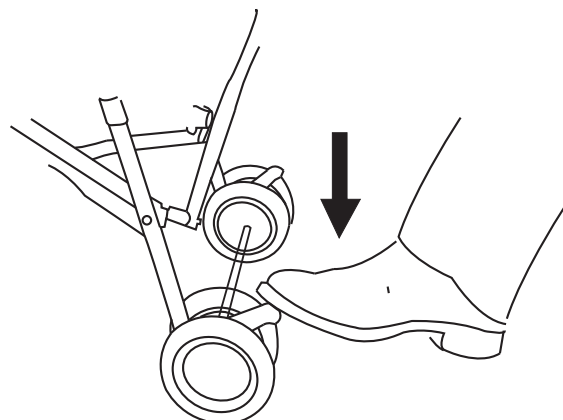
- 1 Release the locking catch on the one side of the stroller.
- 2 Open out the stroller by lifting the handles upwards.
- 3 Using foot, push the rear locking catch down fully to engage the primary lock.
- 4 Place the stroller on a flat surface and ensure that the stroller moves freely.



Step 3

To operate brakes

- 1 Your deluxe stroller has a parking brake. To engage brakes simply press down the link brake located on the rear wheels with foot.
- 2 To release brakes simply lift the link brake located on the rear wheels.

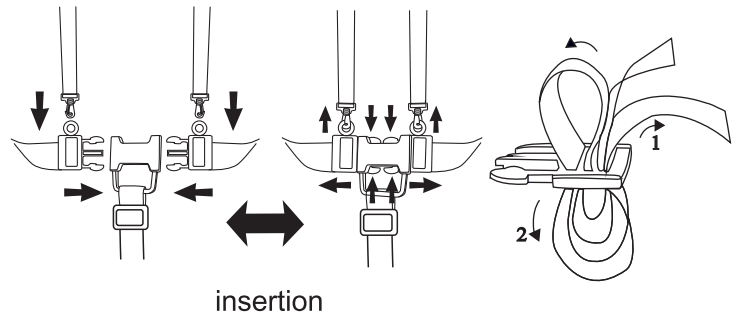


Assembly Instructions

Step 5

Harness & Buckle:

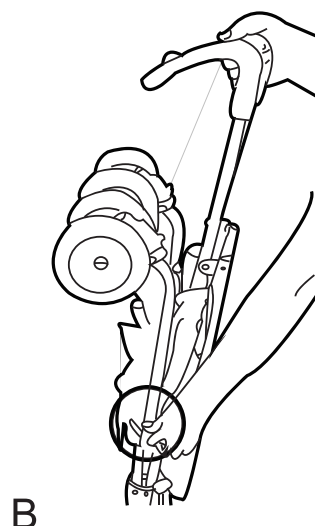
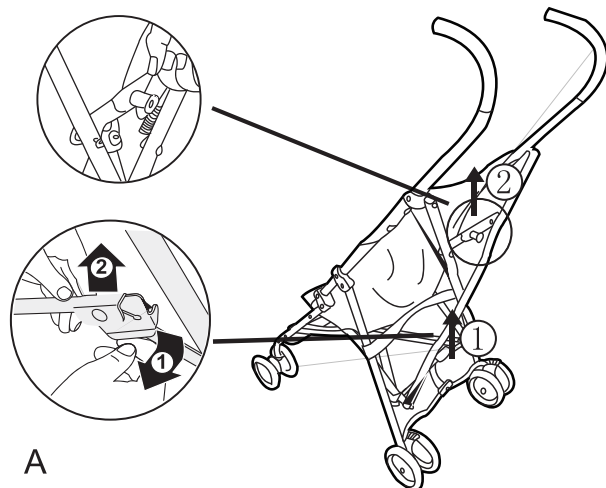
- 1 To fasten the waist harness:
Insert both buckle clips into each side of the buckle until a 'click' is audible.
- 2 To release the harness:
Squeeze the buckles and pull apart.
- 3 To adjust the buckle:
To adjust the shoulder straps, move the slides as shown.



Step 6

To fold the stroller

- 1 See pic A, release the rear locking catch(1), to unlock please push lever in and up with fingers, and then lift the second lock(2) upwards by hands until the lock is released.
- 2 Grip handles and push forward on stroller (See pic B). Compress the folded stroller and ensure the locking catch (located the right side of the stroller) is engaged.



Care and Maintenance

General

This pushchair was designed and manufactured with qualified materials and craftsmanship. Always use the safety harness.

Always check your pushchair for bullet points. Lubricate moving parts regularly, especially the wheels, and lower parts of the chassis that tend to collect dirt.

Inspect regularly for:

- Worn parts, torn materials or stitching .
- Loose screws, bent or broken frame parts .
- Broken, damaged or missing parts.

Should any of the above be evident do not use and contact the Helpline:03456 400 800 for advice.

Care and Maintenance:

Fabric parts may be cleaned in accordance with the fabric care labels. Do not machine wash.

Seat: Sponge clean only

Canopy/Basket:Hand wash only.

Do not leave the stroller exposed to heat i.e. by a radiator or in direct sunlight.

If the stroller chassis parts have been exposed to salt water we recommend that they be rinsed down with fresh (tap) water as soon as possible afterwards.

Do not fold or store the product while wet and never store in a damp environment as this can cause mildew to form.

If you need help or have further question, call the Customer Helpline **03456 400 800**

This pushchair has been designed to comply with the EN1888:2012.

Country of origin: China

Argos LTD, 489-499 Avebury Boulevard, Central Milton Keynes, MK9 2NW