

CUGGL HAZEL FROM BIRTH PUSHCHAIR

IMPORTANT! KEEP THE INSTRUCTION FOR FURTHER REFERENCE

699/7629

cuggl 



	33lbs
	15kg

up to

Important-Please read the instruction fully before starting assembly

If you need help or have further question, call the Customer Helpline **03456 400 800**



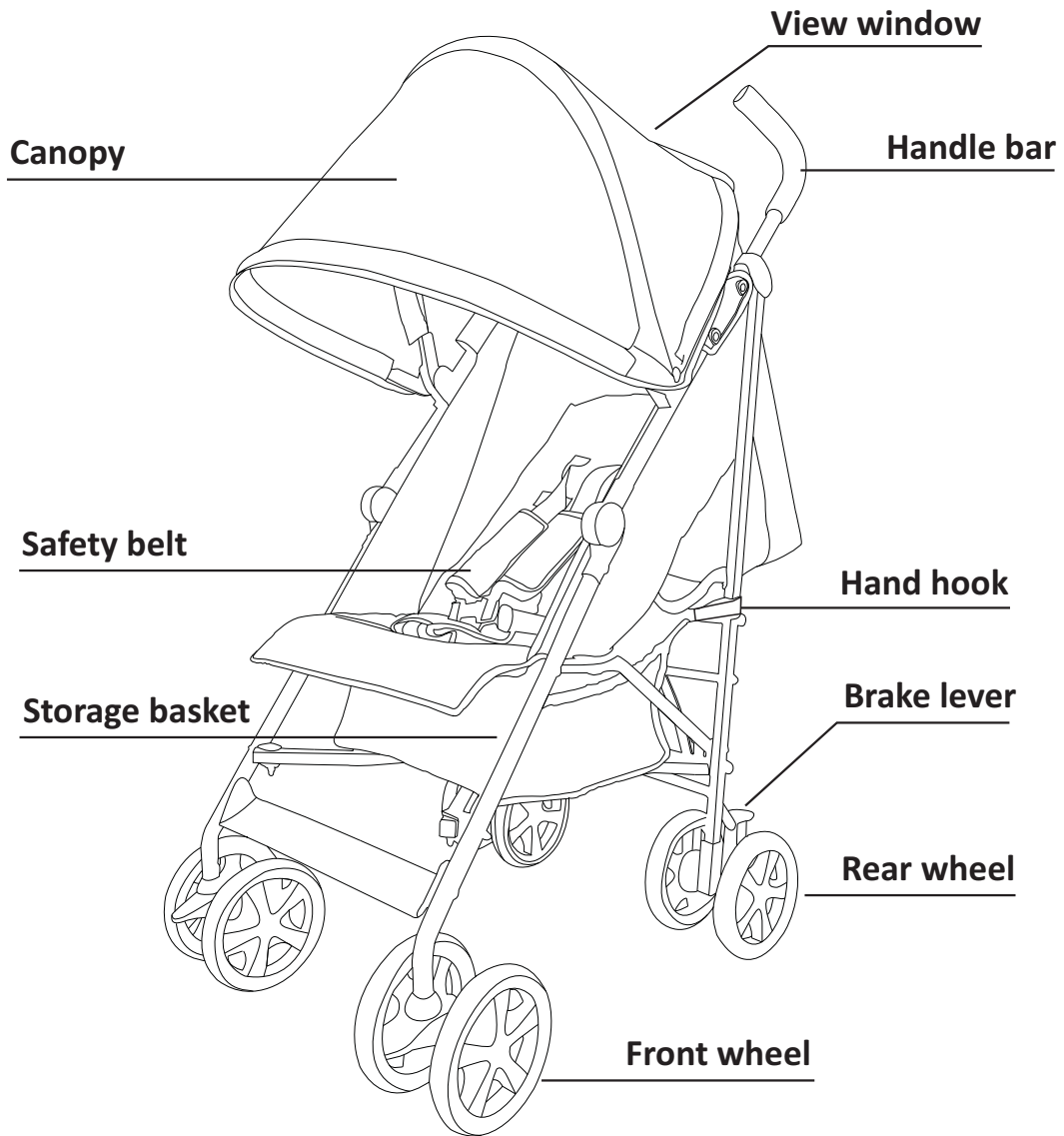
Safety Information

Important-Please read the instruction before assembly and keep it for further reference

Thank you for choosing our product. Please always read all the instructions provided carefully before use and remember, your child's safety may be affected if you do not follow these instructions. The stroller is suitable for children under 36 months. The max load of the stroller is 15kg, never over loaded.

- **WARNING:** Never leave your child unattended.
- **WARNING:** Ensure that all the locking devices are engaged before use.
- **WARNING:** The parking device shall be engaged when placing and removing the children
- **WARNING:** To avoid injury ensure that your child is kept away when unfolding and folding this product.
- **WARNING:** Do not let your child play with this product.
- **WARNING:** Always use the restraint system.
- **WARNING:** This product is not suitable for running or skating .
- **WARNING:** Do not use if any part is broken, torn or missing .
- **WARNING:** It may be dangerous to leave your child unattended.
- **WARNING:** This seat unit is not suitable for children over 36 months.
- **WARNING:** Accessories which are not approved by the manufacturer shall not be used.
- **WARNING:** Avoid placing the pushchair near naked heat sources such as electric bar fires, gas fires, etc. or where a child could gain access to any other kinds of hazards.
- **WARNING:** Always use the crotch strap in combination with the waist belt.
- **WARNING:** Always use the harness provided and make sure the harness is correctly fitted.
- **WARNING:** Any load attached to the handle affects the stability of the pushchair.
- **WARNING:** Use the stroller for only one child at a time.
- **WARNING:** The maximum permissible loading for shopping basket is 5kg.
- **WARNING:** For new born baby, the seat should be in full reclining position as the baby does not has ability to control its head.
- **WARNING:** Any load attached to the handle and/or on the back of the backrest and/or on the sides of the pushchair will affect the stability of the pushchair.
- **WARNING:** Only replacement parts supplied or recommended by the manufacturer/distributor shall be used.

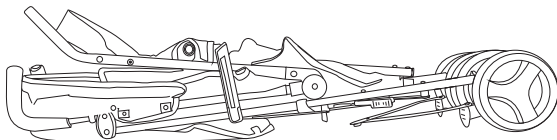
Name of parts



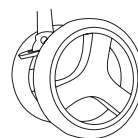
Components

If you need help or have further question,
call the Customer Helpline **03456 400 800**

Please check if you have all the parts listed below before starting assembly



Frame with fabric



Front wheel

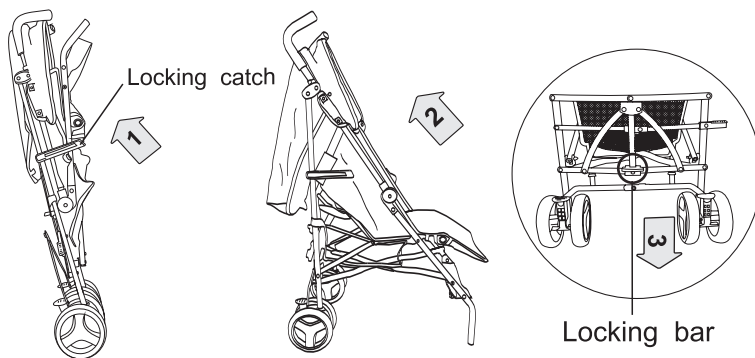
Assembly Instructions

Step 1

Unfold Frame:

Locate the locking catch on the side of the stroller and lift to release from the locking stud.(fig 1)

Unfold the pushchair using both hands. Press the locking bar until it "clicks" into place.

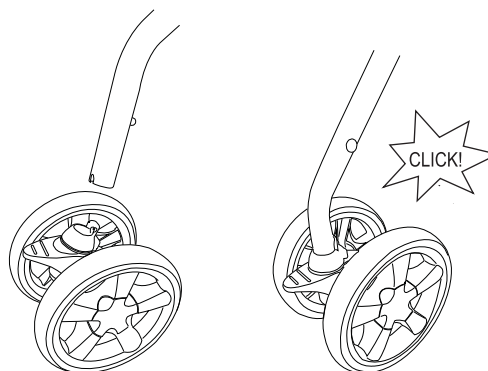


Step 2

Assemble The Front Wheels:

Attach the swivel wheels by locating the wheel under the frame tube.

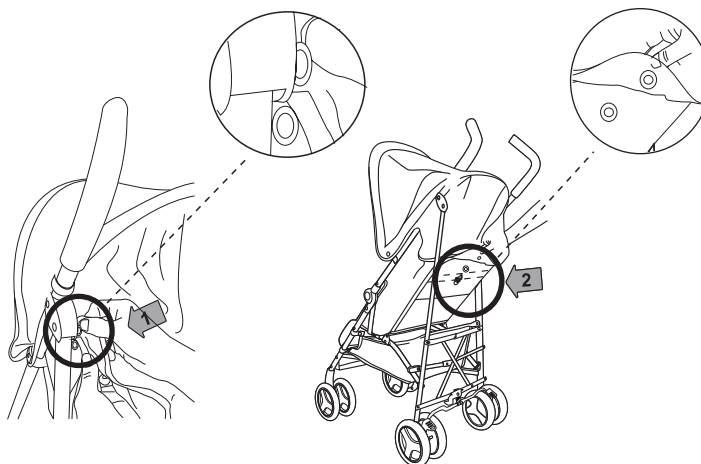
Put the wheels upwards until the wheels clicks into position. (fig 3)



Step 3

Fit Canopy:

Fix the snap button of the canopy on the each side and the back on the backrest.(fig 3)

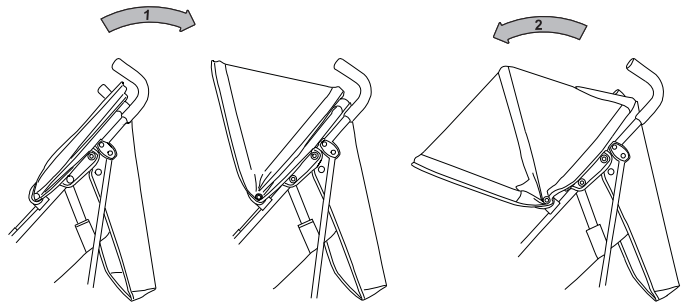


Assembly Instructions

Step 4

Adjust Canopy:

Follow the arrow 1 or arrow 2 to close or open the hood.



4

Step 5

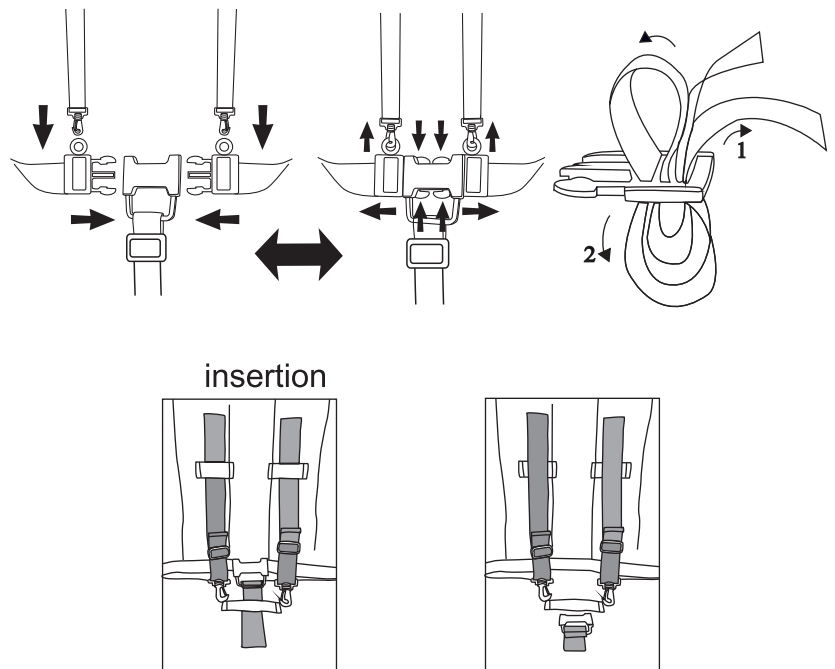
Harness & Buckle:

To fasten the waist harness:
Insert both buckle clips into each side of the buckle.
Listen for the “click”.

To release the harness:
Squeeze the buckles and pull apart.

To adjust the buckle:
To adjust the shoulder straps
move the slides as shown
on. (fig 5)

Note: you can adjust the
shoulder straps length
according to the baby height.



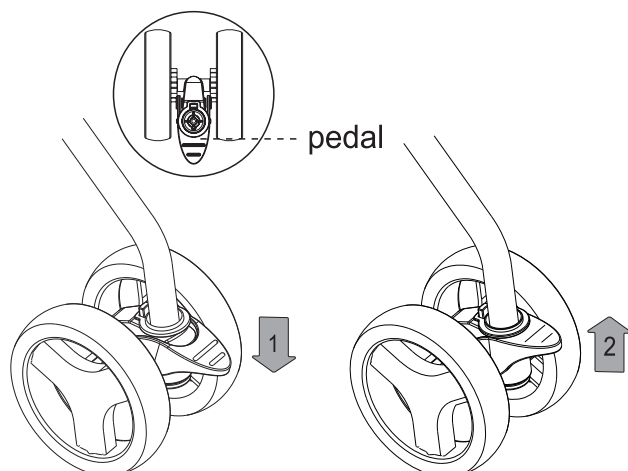
5

Step 6

Lock Swivel Wheel:

Your pushchair has front lock swivel wheels. To lock swivel wheels press the pedal down (step 1) and fix into position to secure (step 2).

Repeat on both wheels.
Push up to release. (fig 6)



6

Assembly Instructions

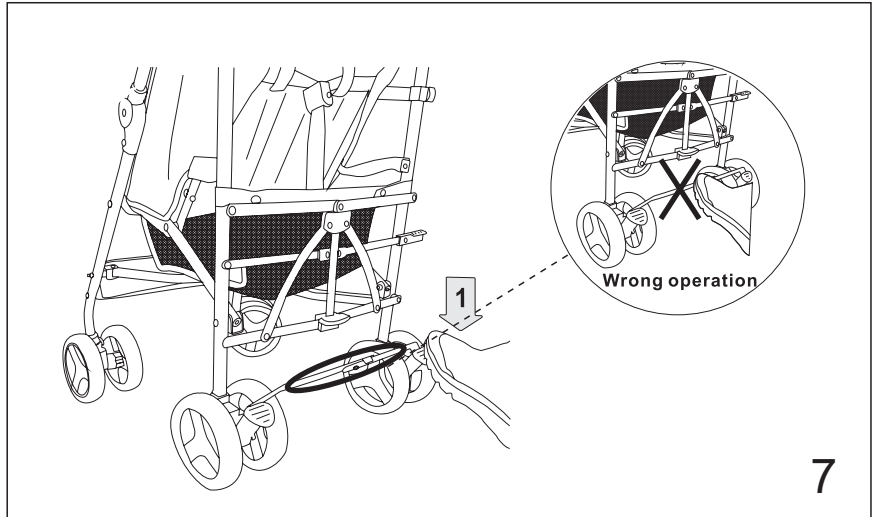
Step 7

Link Brake Operation:

To engage the brake push down brake locking pedal. Lift up pedals to release the brake.

WARNING: Do not step on the steel bar to lock the brake.

WARNING: Roll back and forth to make sure the stroller is fully engaged after braking.

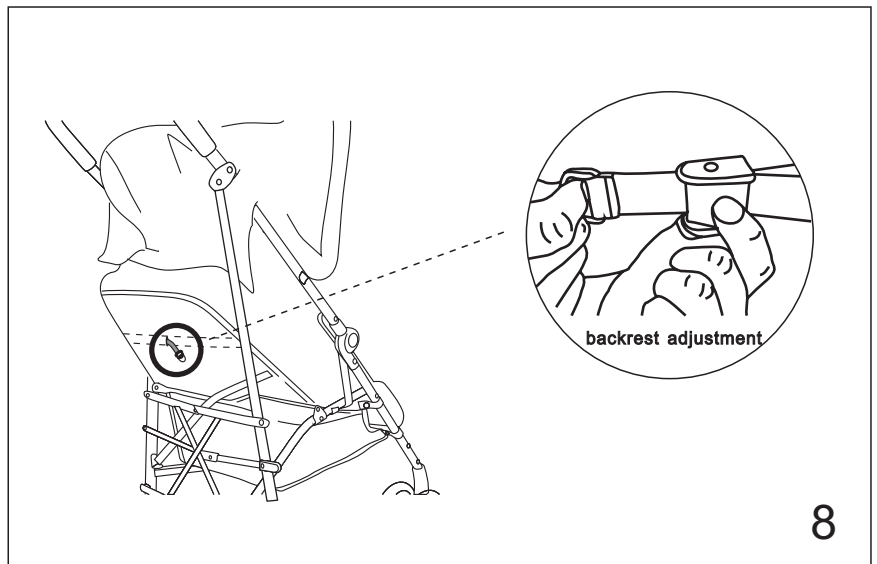


7

Step 8

To Recline Backrest:

Locate backrest adjustment mechanism at the rear of the seat, squeeze the clip on the reclining harness and gently lower the back rest. To raise the backrest, squeeze the clip on the reclining harness and gently pull up the backrest to desired height. (fig 8)



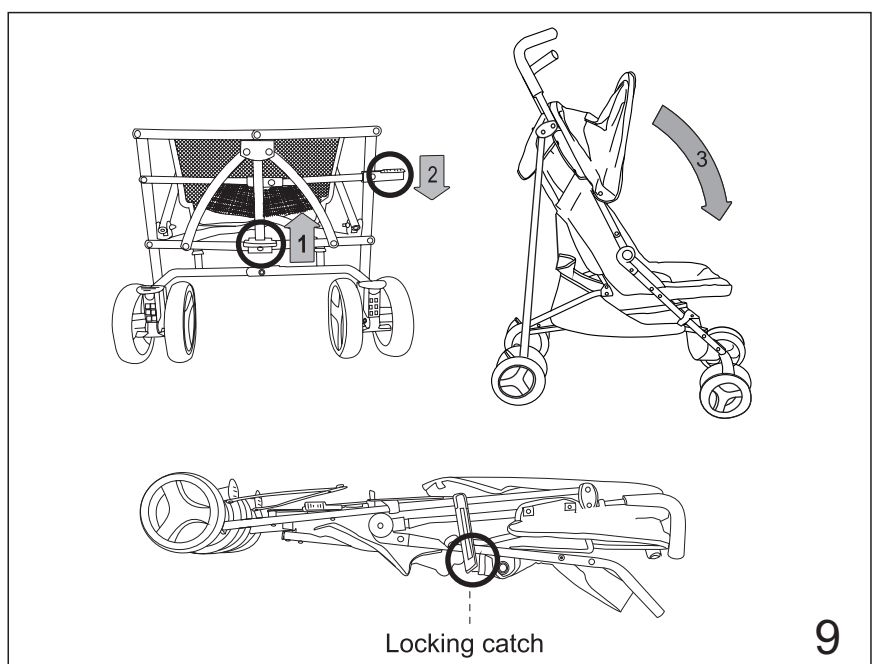
8

Fold

To Fold:

Lift the the pedal upwards (step 1) and step down the second lock pedal (step 2). (fig 9). Push the handles over and the pushchair will naturally catch on the side of your pushchair (step 3)

Note: always fold the canopy before folding your pushchair



9

Care and Maintenance

General

This pushchair was designed and manufactured with qualified materials and craftsmanship. Always use the safety harness.

Always check your pushchair for bullet points. Lubricate moving parts regularly, especially the wheels, and lower parts of the chassis that tend to collect dirt.

Inspect regularly for:

- Worn parts, torn materials or stitching .
- Loose screws, bent or broken frame parts .
- Broken, damaged or missing parts.

Should any of the above be evident do not use and contact the Helpline:03456 400 800 for advice.

Care and Maintenance:

Fabric parts may be cleaned in accordance with the fabric care labels. Do not machine wash.

Seat: Sponge clean only

Canopy/Basket:Hand wash only.

Do not leave the stroller exposed to heat i.e. by a radiator or in direct sunlight.

If the stroller chassis parts have been exposed to salt water we recommend that they be rinsed down with fresh (tap) water as soon as possible afterwards.

Do not fold or store the product while wet and never store in a damp environment as this can cause mildew to form.

If you need help or have further question, call the Customer Helpline **03456 400 800**

This pushchair has been designed to comply with the EN1888:2012.

Country of origin: China

Argos LTD, 489-499 Avebury Boulevard, Central Milton Keynes, MK9 2NW