

Log Cabin (2.6x3.3m)  
06LOG002-V1 (T&G roof and floor with single (glass) glazing)

## BEFORE YOU START PLEASE READ INSTRUCTIONS CAREFULLY

- Check the pack and make sure you have all the parts listed.
- When you are ready to start, make sure you have the right tools at hand (not supplied) including a Phillips screwdriver, Stanley knife, wood saw, step ladder and drill with 2mm bit.
- Ensure there is plenty of space and a clean dry area for assembly.

## TIMBER

As with all natural materials, timber can be affected during various weather conditions. For the duration of heavy or extended periods of rain, swelling of the wood panels may occur. Warping of the wood may also occur during excessive dry spells due to an interior moisture loss. Unfortunately, these processes cannot be avoided but can be helped. It is suggested that the outdoor building is sprayed with water during extended periods of warm sunshine and sheltered as much as possible during rain or snow.

Our buildings are pre treated with a water based treatment\*\*; this only helps to protect the product during transit and for upto 3 months against mould. To validate your guarantee and ensure longevity of the product, it is ESSENTIAL the building is treated with a wood preserver within the first three months of assembly and thereafter in accordance with the manufactures recommendations. Care must be taken to ensure the product is placed on a suitable base.

## BUILDING A BASE

When thinking about where the building and base is going to be constructed: Ensure that there will be access to all sides for maintenance work and annual treatment.

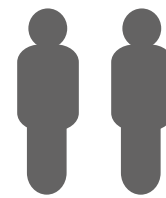
Ensure the base is level and is built on firm ground, to prevent distortion. Refer to diagrams for the base dimensions, The base should be slightly smaller than the external measurement of the building, i.e. The cladding should overlap the base, creating a run off for water. It is also recommended that the floor be at least 25mm above the surrounding ground level to avoid flooding.

## TYPES OF BASE

- Concrete 75mm laid on top of 75mm hard-core.
- Slabs laid on 50mm of sharp sand.

***Whilst all products manufactured are made to the highest standards of Safety and in the case of childrens products independently tested to EN71 level, we cannot accept responsibility for your safety whilst erecting or using this product.***

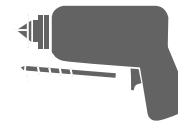
Refer to the instructions pages for you specific product code



All building's should be erected by two adults



Winter = High Moisture = Expansion  
Summer = Low Moisture = Contraction



2mm Drill bit

For ease of assembly, you **MUST** pilot drill all screw holes and ensure all screw heads are countersunk.



## CAUTION

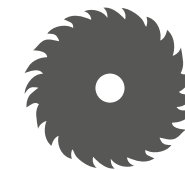
Every effort has been made during the manufacturing process to eliminate the prospect of splinters on rough surfaces of the timber. You are strongly advised to wear gloves when working with or handling rough sawn timber.



For ease of assembly use a rubber mallet to fit the log boards. Do **NOT** use a heavy hammer.



Ensure to measure and check before cutting boards.



It is advisable to use a circular saw when cutting roof and floor boards.

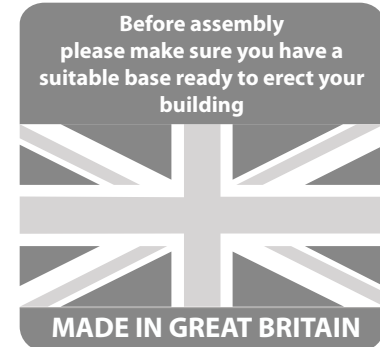
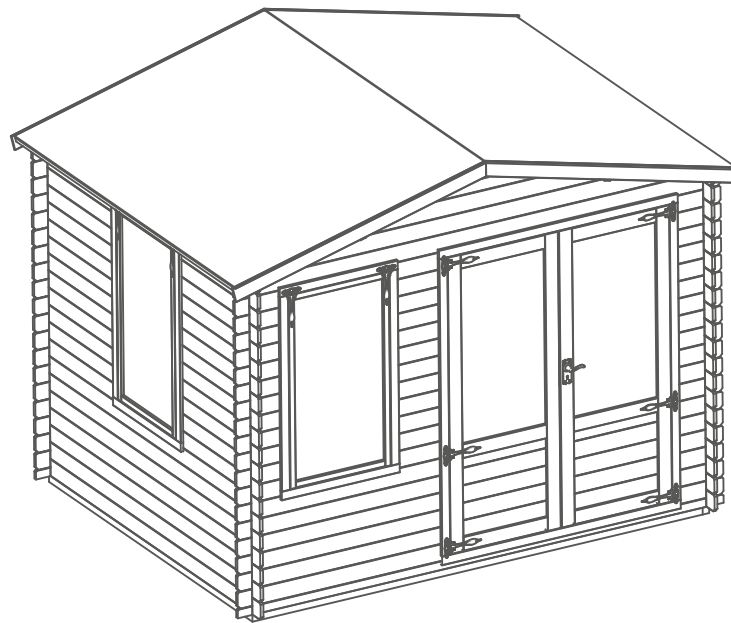
For assistance please contact customer care on: 01636 880514

**Mercia Garden Products Limited,  
Sutton On Trent,  
Newark,  
Nottinghamshire,  
NG23 6QN**

[www.merciagardenproducts.co.uk](http://www.merciagardenproducts.co.uk)

Overall Dimensions:  
 Width = 3445mm  
 Depth = 2624mm  
 Height = 2645mm

Base Dimensions:  
 Width = 3099mm  
 Depth = 2403mm

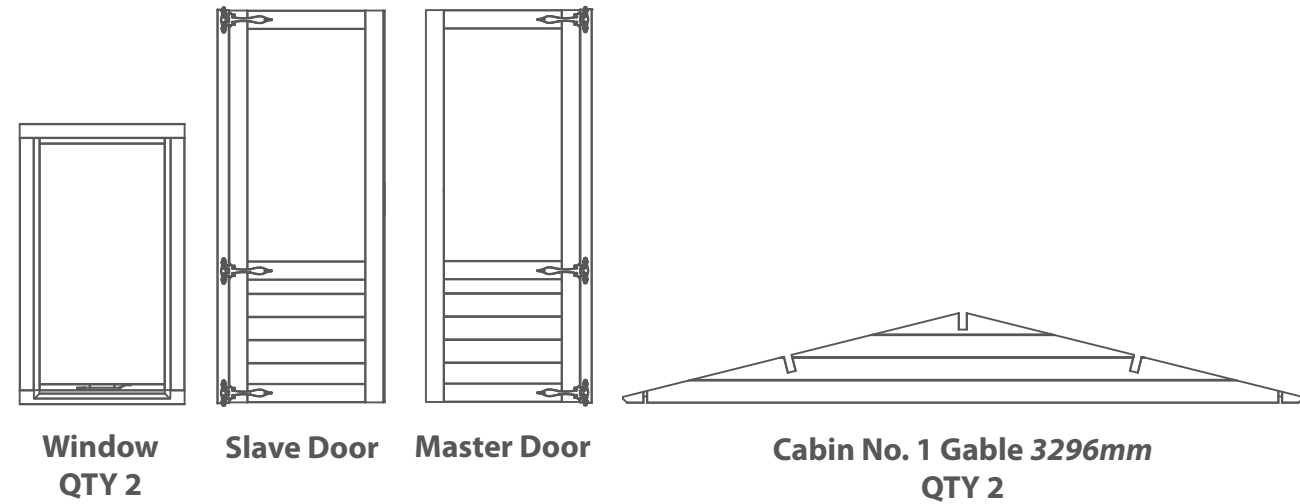


1

2

3

4



Window  
QTY 2

Slave Door

Master Door

Cabin No. 1 Gable 3296mm  
QTY 2

5 **Starter Board (S1) - 66x19x3296mm QTY 2**  
 LB19RT66-3296mm

6 **Log Board (A) - 120x19x2600mm QTY 26**  
 LB19-2600mm

7 **Log Board (B) - 120x19x1402mm QTY 6**  
 LB19-2600mm

8 **Log Board (B) - 120x19x326mm QTY 30**  
 LB19-326mm

9 **Log Board (C) - 120x19x326mm QTY 12**  
 LB19-326mm (No Notch)

10 **Log Board (A) - 120x19x3296mm QTY 20**  
 LB19-3296mm

11 **Log Board (B) - 120x19x925mm QTY 24**  
 LB19-925mm

12 **Log Board (AR) - 110x19x2600mm QTY 2**  
 LB19RG110-2600mm

13 **Roof Purlin - 90x40x2604mm QTY 3**  
 F4090-2604mm

14 **Interior Roof Trim - 27x44x2400mm QTY 3**  
 F2744-2400mm (Bevelled)

15 **Starter - 44x44x3011mm QTY 10**  
 F4444-3011mm

16 **Starter - 44x44x2403mm QTY 2**  
 F4444-2403mm

17 **Skirting - 28x28x2400mm QTY 6**  
 FS2828-2400mm

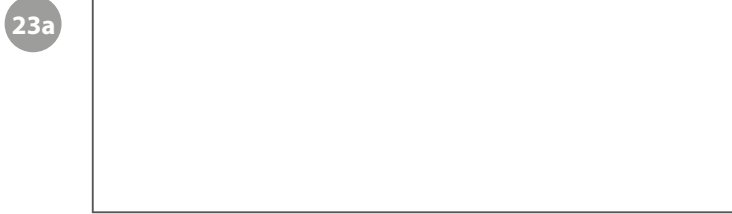
18 **Fascia - 120x16x1755mm QTY 4**  
 S16120-1755mm (Angled)

19 **Door Frame Top & Bottom - 69x55x1505mm QTY 2**  
 F5569-1505mm

20 **Door Strip - 60x16x1880mm**  
 F1660-1880mm

21 **Eaves Frame - 27x44x2600mm QTY 2**  
 F2744-2600mm

22a **Floor Sheet - OSB12-1020x2364mm QTY 3**  
 (OSB Option Only)



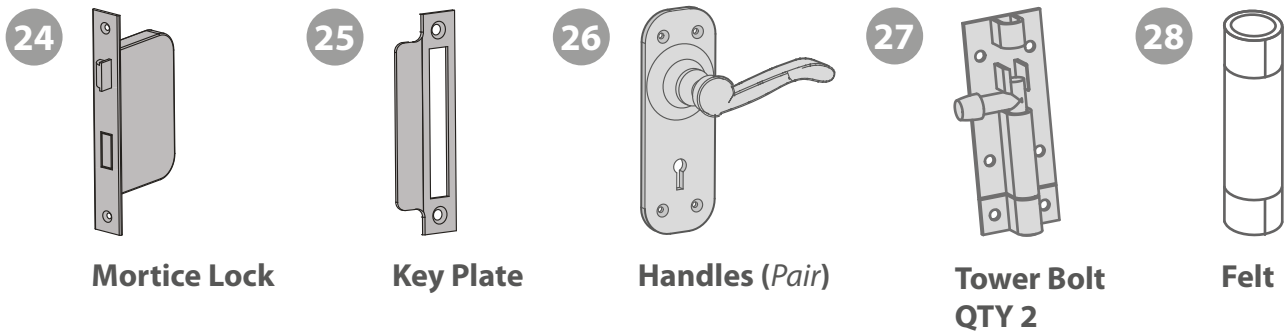
**23a**  
**Roof Sheet - OSB12-876x2600mm QTY 4**  
*(OSB Option Only)*



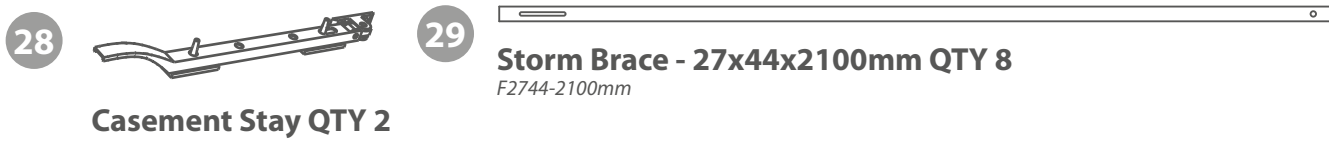
**22b**  
**Floor Board - 121x16x2364mm QTY 29**  
*MB16-2364mm*



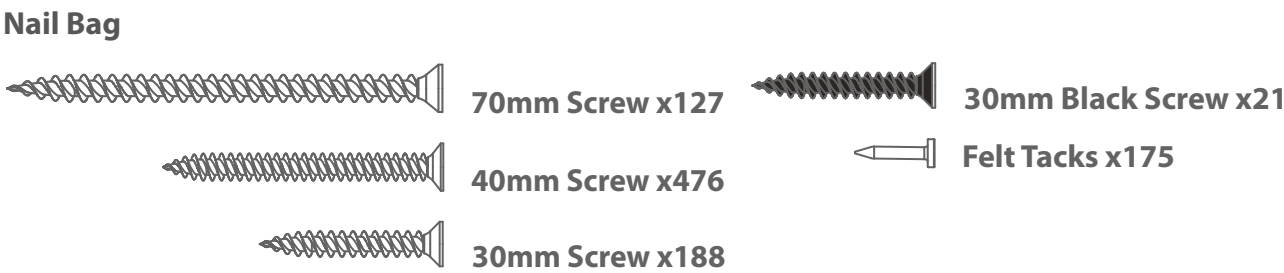
**23b**  
**Roof Board - 121x16x1752mm QTY 48**  
*MB16-1752mm*



**24** Mortice Lock    **25** Key Plate    **26** Handles (Pair)    **27** Tower Bolt QTY 2    **28** Felt



**28** Casement Stay QTY 2    **29** Storm Brace - 27x44x2100mm QTY 8  
*F2744-2100mm*



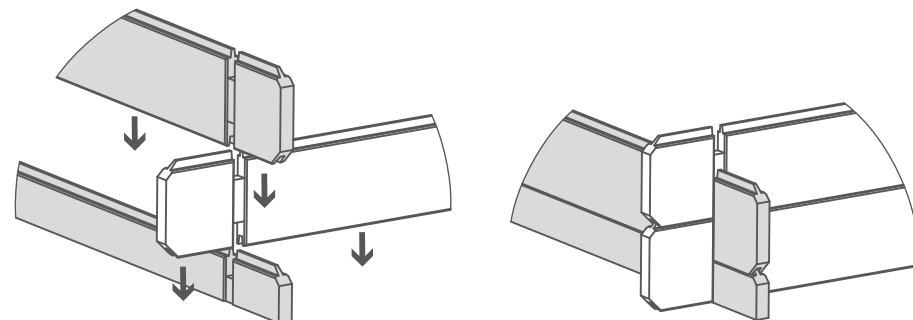
**Nail Bag**  
70mm Screw x127    30mm Black Screw x21  
40mm Screw x476    Felt Tacks x175  
30mm Screw x188

**Pre-assembly**

**\*Please note:**

Each board interlocks at either end in a staggered pattern.

Before securing ensure that the boards are fitted properly in their respective tongue's and groove's.

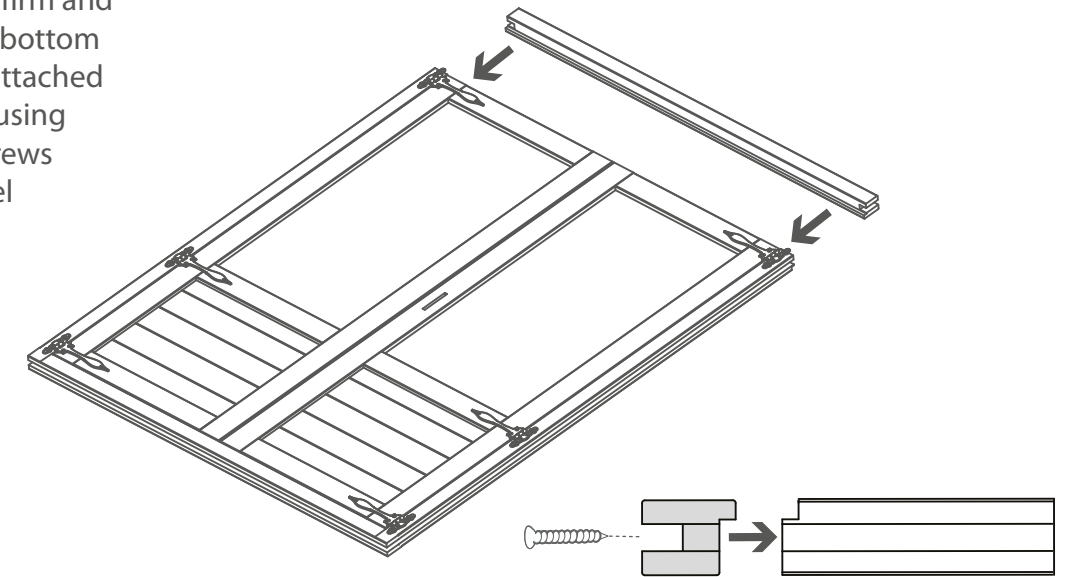


**Step 1: Door Frame Fit**

**IMPORTANT: It is imperative that you pre-drill before fixing screws.**

Arrange the door framing onto a firm and level surface. Secure the top and bottom frames (**No. 19**) to the uprights (attached to each door). Fix at each corner using 4x70mm screws, ensuring the screws do **NOT** protrude into the channel either side of the doors.

**\*Please note:** This image is for illustrative purposes and may differ from your choice in product (**regarding hinges**). Nevertheless the process of fixing the frames is the same.



**4x70mm Screws**



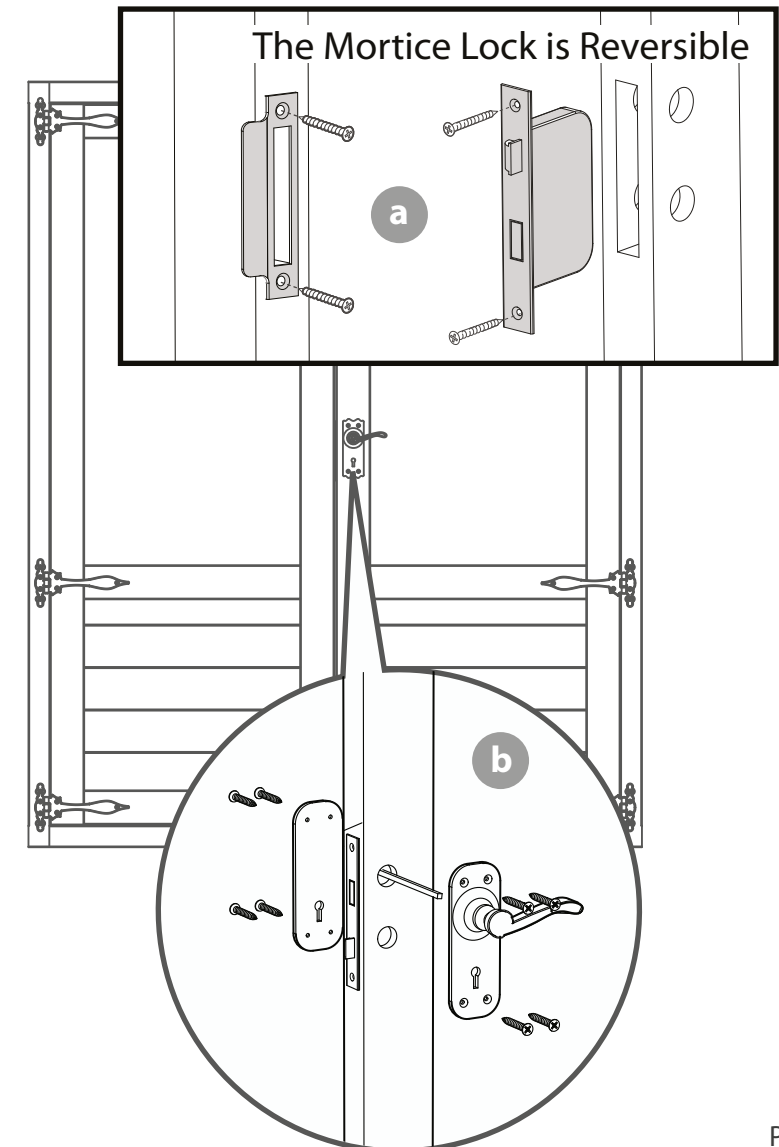
**\*Ensure the top & bottom rails sit inbetween the upright framing attached to the doors.**

**Step 2**

- a** Fit the mortice lock (**No. 24**) into the recess in the master door (**No. 3**) and secure using the screws provided. Attach the key plate (**No. 25**) to the slave door (**No. 2**) with the screws provided.
- b** Connect the door handles (**No. 26**) and the metalbar to the mortice lock using 8x30mm screws. Ensure the lock mechanism closes correctly. If not, remove the lock and turn the catch around using the small grub screw.

**\*Please note:** This image is for illustrative purposes and may differ from your choice in product (**regarding ironmongery**). Nevertheless the process of fixing the frames is the same.

**8x30mm Black Screws**  
**4x30mm Screws**



**The Mortice Lock is Reversible**

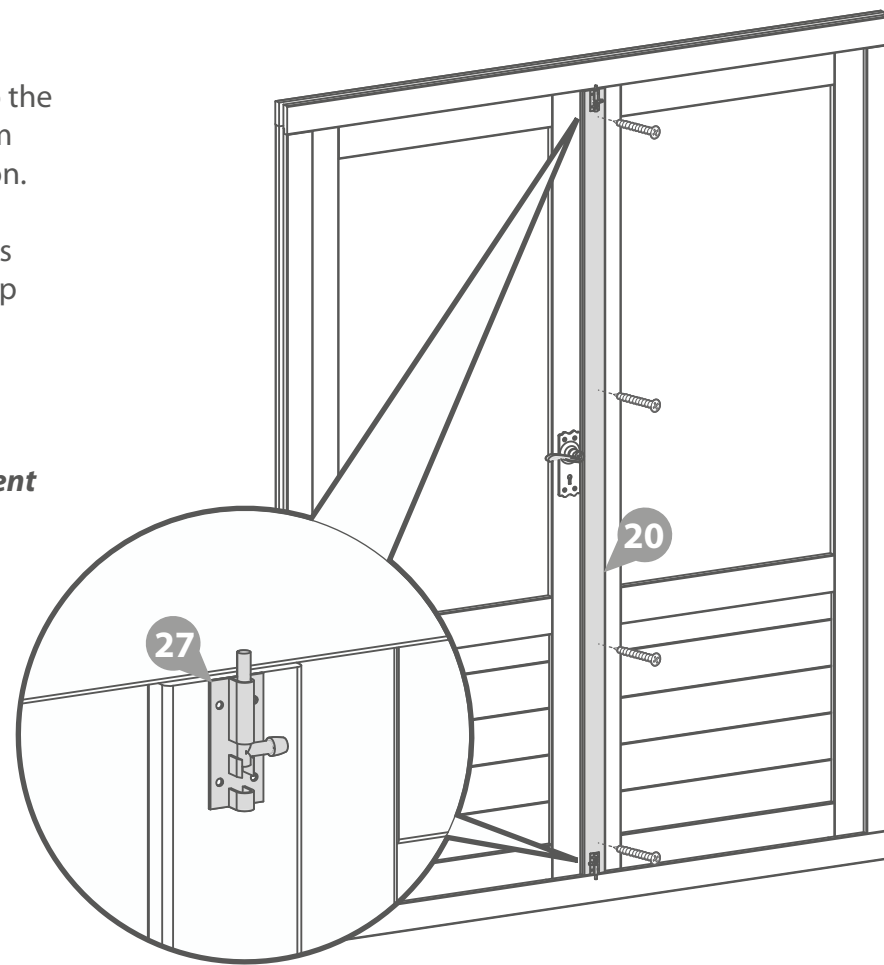
### Step 3

Attach the door strip (**No. 20**) to the back of slave door using 4x40mm screws as shown in the illustration.

Once fixed secure the tower bolts to the top and bottom of the strip using the screws provided.

*\*These tower bolts help to keep your doors straight during high and low levels of moisture content in the air.*

#### 4x40mm Screws

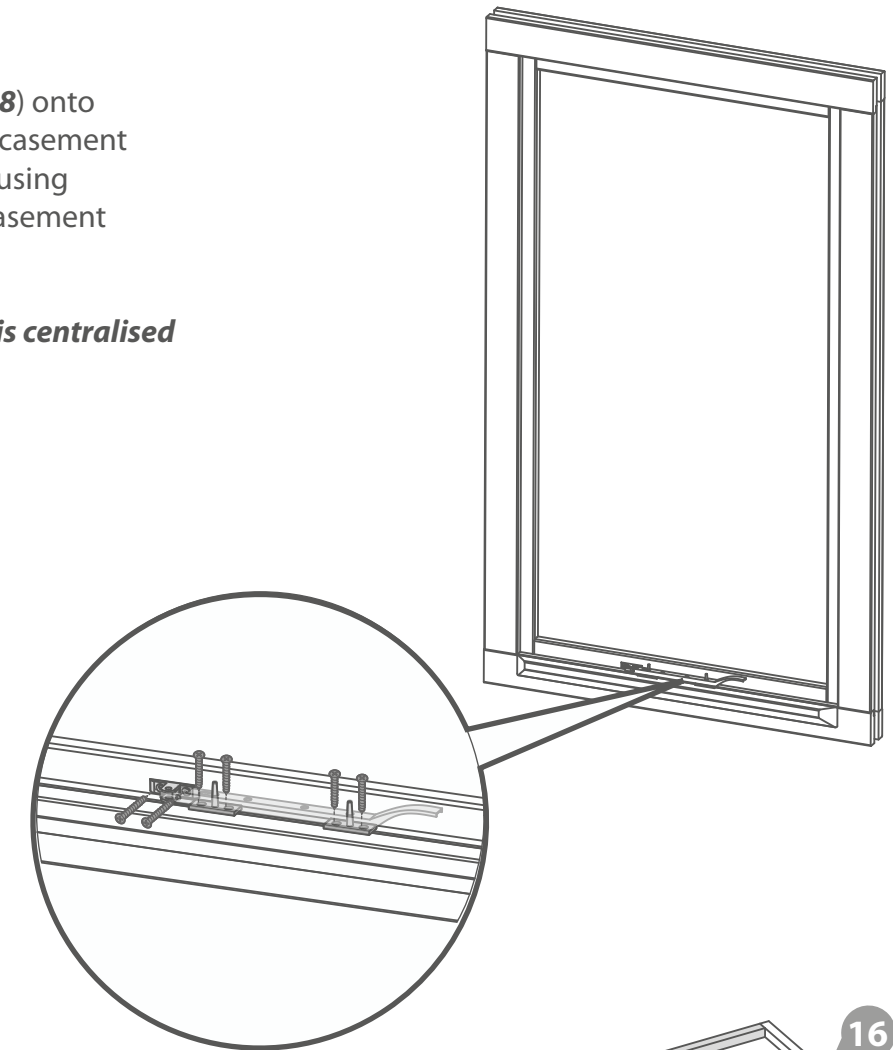


### Step 4

Fix the casement stay (**No. 28**) onto the window (**No. 1**) and the casement stay pins to the window cill using 6x30mm black screws per casement stay.

*\*Ensure the casement stay is centralised on the window.*

#### 12x30mm Black Screws

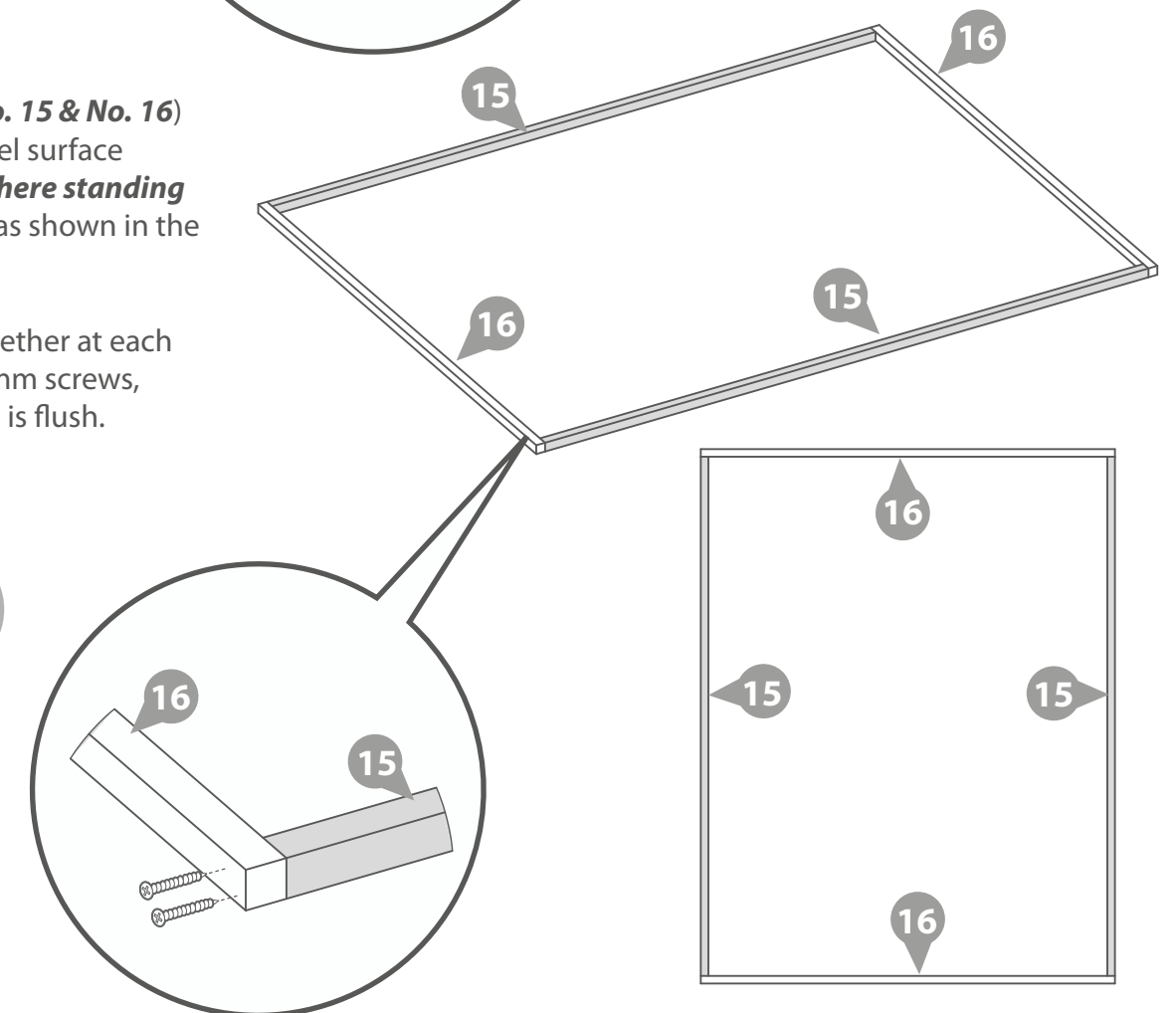
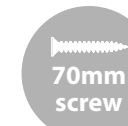


### Step 5

Lay the starters (**No. 15 & No. 16**) onto a firm and level surface (*free from areas where standing water can collect*) as shown in the illustration.

Fix the framing together at each corner using 8x70mm screws, ensuring the frame is flush.

#### 8x70mm Screws





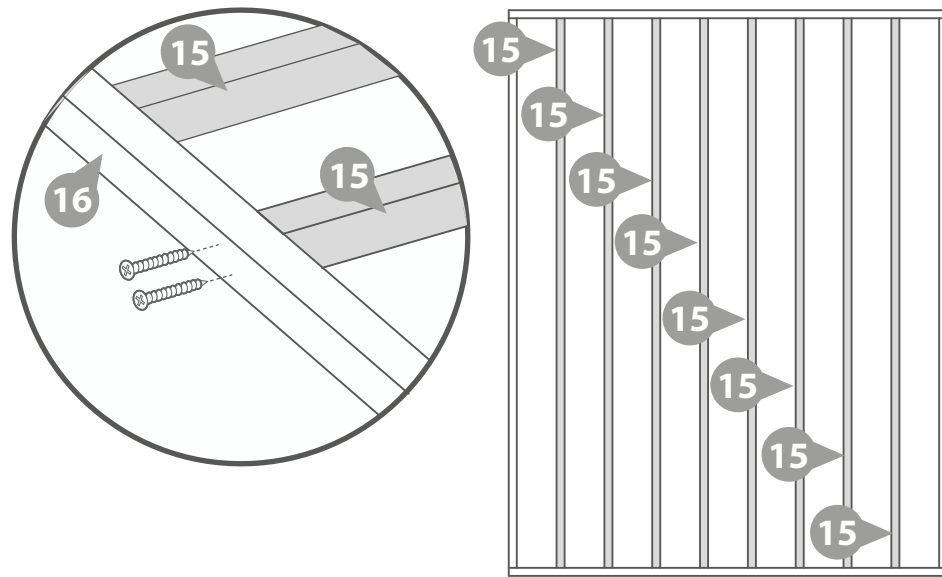
### Step 6

Following the same method outlined in **Step 4**, arrange the remaining framing (**No. 15**) as shown in the illustration.

**\*Ensure there is an equal amount of space between each frame.**

Secure each of the frames in place using 4x70mm screws per frame, ensuring the framing remains level.

#### 32x70mm Screws



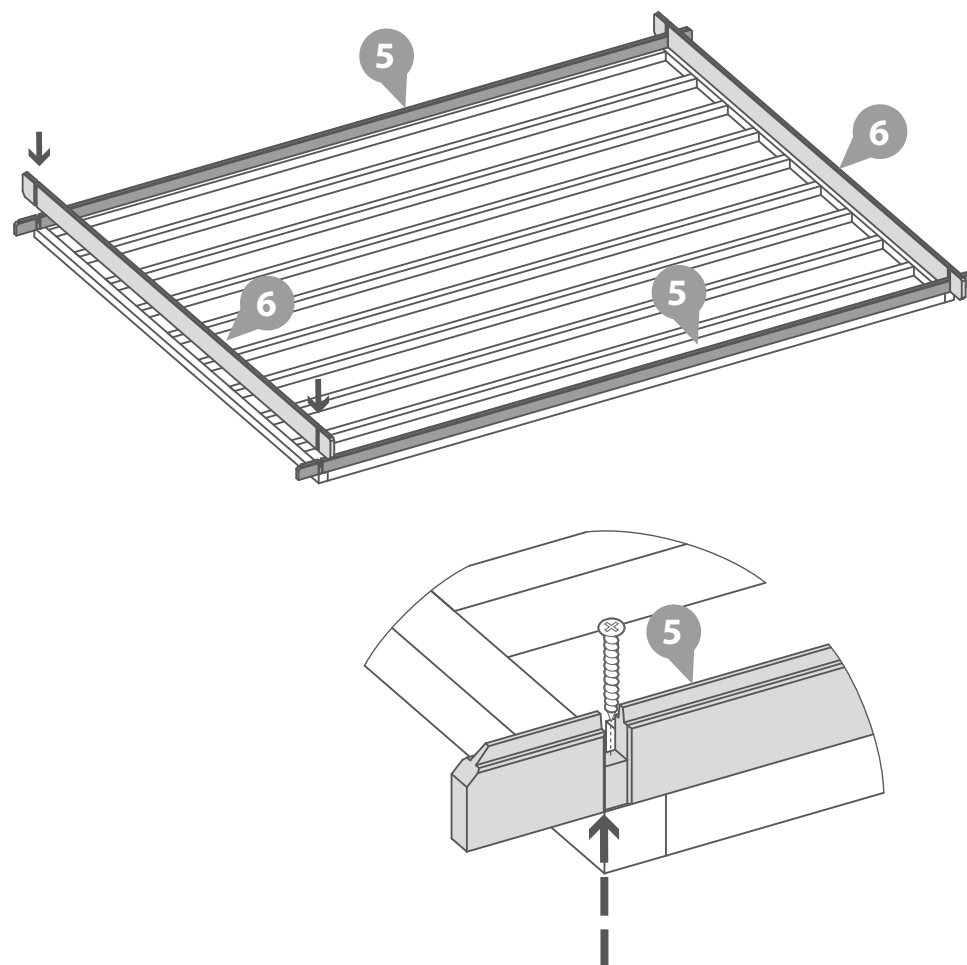
### Step 7 (See Pre-Assembly)

Place the starter boards (**No. 5**) on to assembled base frame along the longest sides.

**\*Ensure the notches at either end of each board are flush and level with the ends of the frame.**

Fix each of the starter boards to the frame by screwing through the notch into the frame as shown in the illustration.

#### 4x70mm Screws



**IMPORTANT: It is imperative that you pre-drill before fixing screws.**

### Step 8 (See Pre-Assembly)

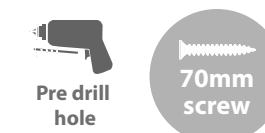
Following the same method outlined in *Pre-Assembly*, lay the first 6 boards (**No's. 6, 7, 8 & 10**) onto the starter boards to create your first level.

**\*Ensure that the boards are level and flush with each other as you lay each one.**

Fix every third board to the one below by screwing through the notch as shown in the illustration using 1x70mm screw per side.

**\*\*Ensure to stagger the screws so as not to collide with the previous screw.**

#### 16x70mm Screws



**Please Note:** The short boards at the front of the building (either side of the door and window opening's) can be placed either side depending on your needs.

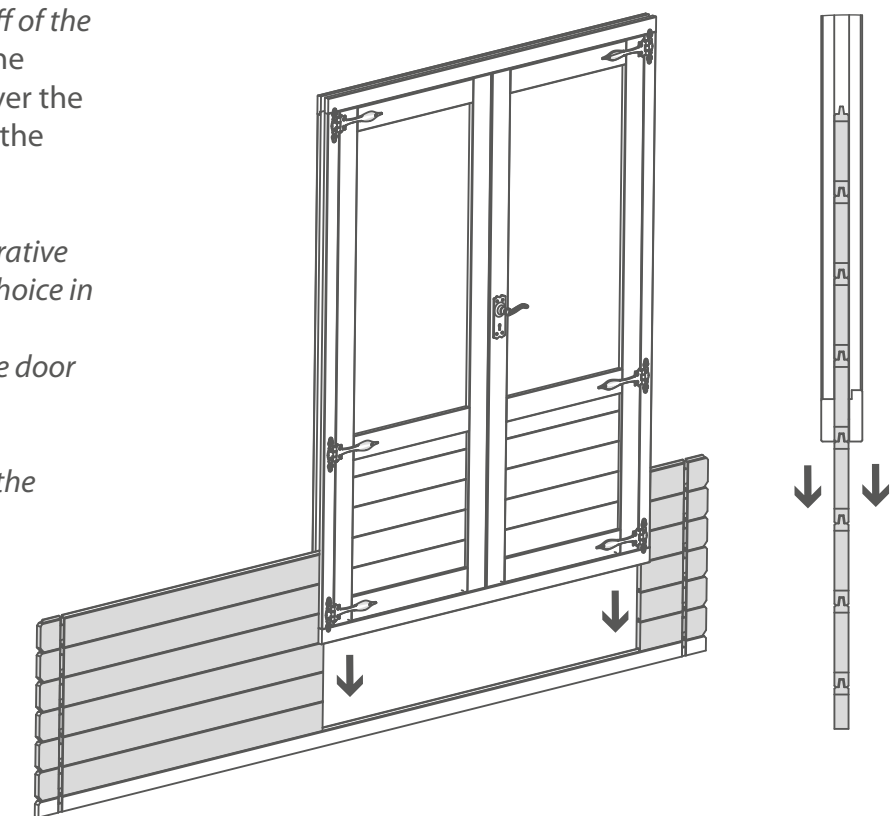
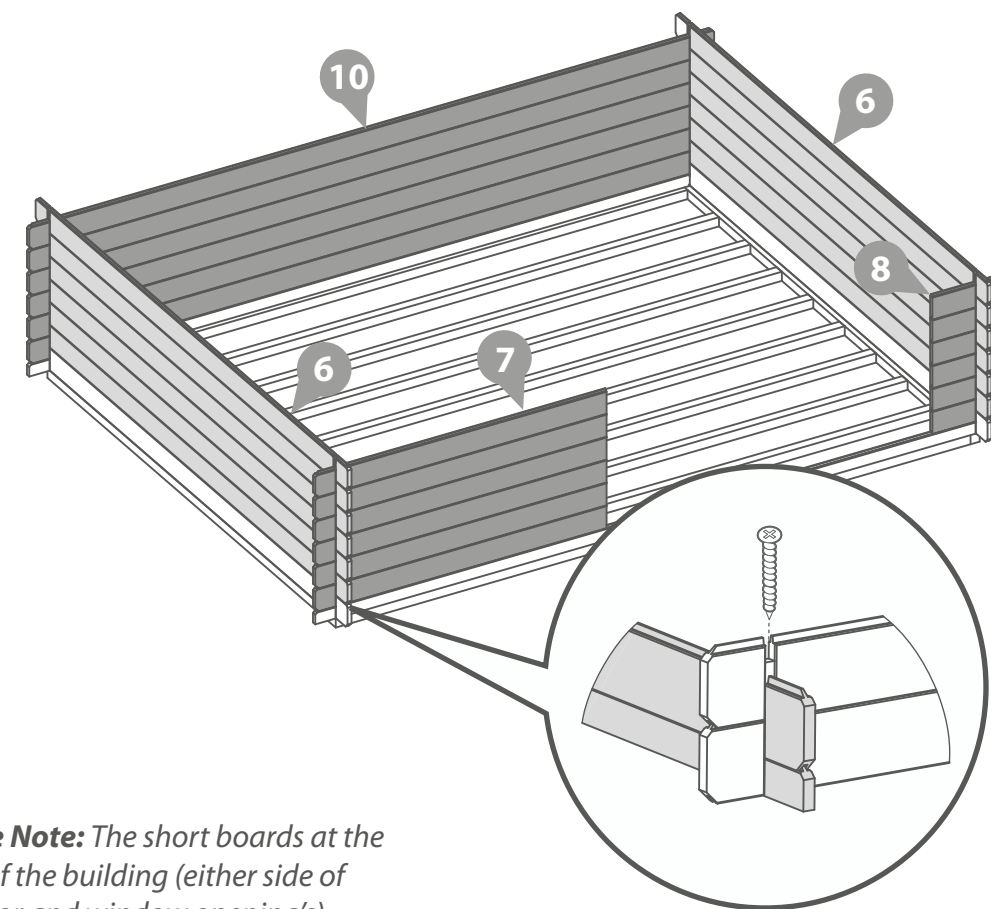
### Step 9

Once you have laid 6 log boards (off of the starter) up the door section, slide the assembled door frame assembly over the boards resting the frame on top of the starter board.

**\*Please note:** This image is for illustrative purposes and may differ from your choice in product (**regarding door position**). Nevertheless the process of fitting the door frame is the same.

**\*\*Please Note:** The short boards at the front of the building (either side of the door and window opening's) can be placed either side depending on your needs.

**IMPORTANT: It is imperative that you pre-drill before fixing screws.**



**Step 10** (See Pre-Assembly)

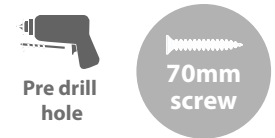
Following the same method outlined in *Pre-Assembly*, lay the next 6 boards (**No's. 6, 8, 9, 10 & 11**) onto the assembly to create your second level.

**\*Ensure that the boards are level and flush with each other as you lay each one.**

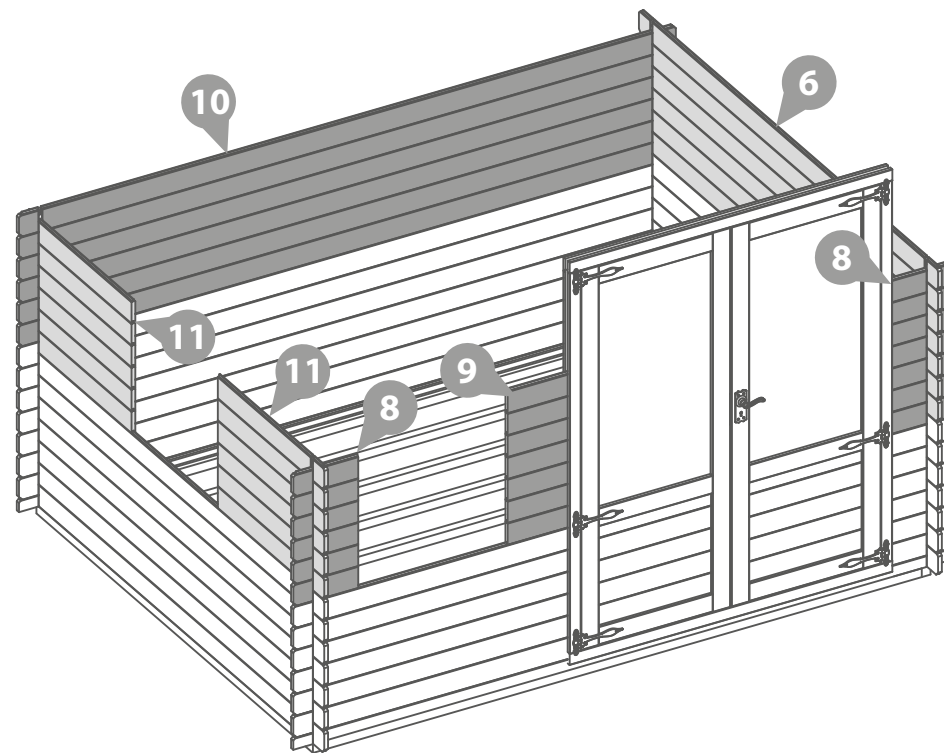
Fix every third board to the one below by screwing through the notch as shown in the illustration using 1x70mm screw per side (as outlined in Step 7).

**\*\*Ensure to stagger the screws so as not to collide with the previous screw.**

**20x70mm Screws**



**IMPORTANT: It is imperative that you pre-drill before fixing screws.**



**\*\*\*Please Note:** The short boards placed to create the opening's for the doors & windows can be placed either side depending on your needs.

**Step 12** (See Pre-Assembly)

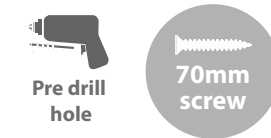
Following the same method outlined in *Pre-Assembly*, lay the remaining boards (**No's. 6, 8, 9, 10 & 11**) onto the assembly to bring the board level to the top of the window and door frames.

**\*Ensure that the boards are level and flush with each other as you lay each one.**

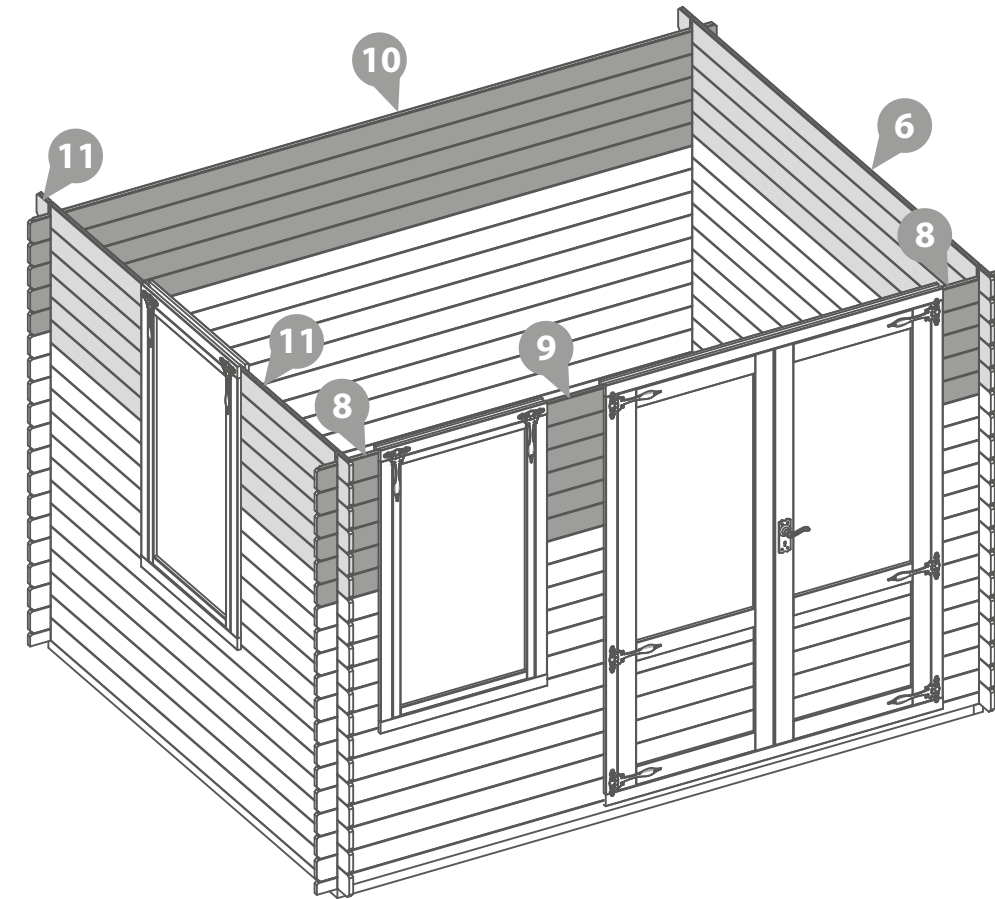
Fix every third board to the one below by screwing through the notch as shown in the illustration using 1x70mm screw per side (as outlined in Step 7).

**\*\*Ensure to stagger the screws so as not to collide with the previous screw.**

**20x70mm Screws**



**IMPORTANT: It is imperative that you pre-drill before fixing screws.**

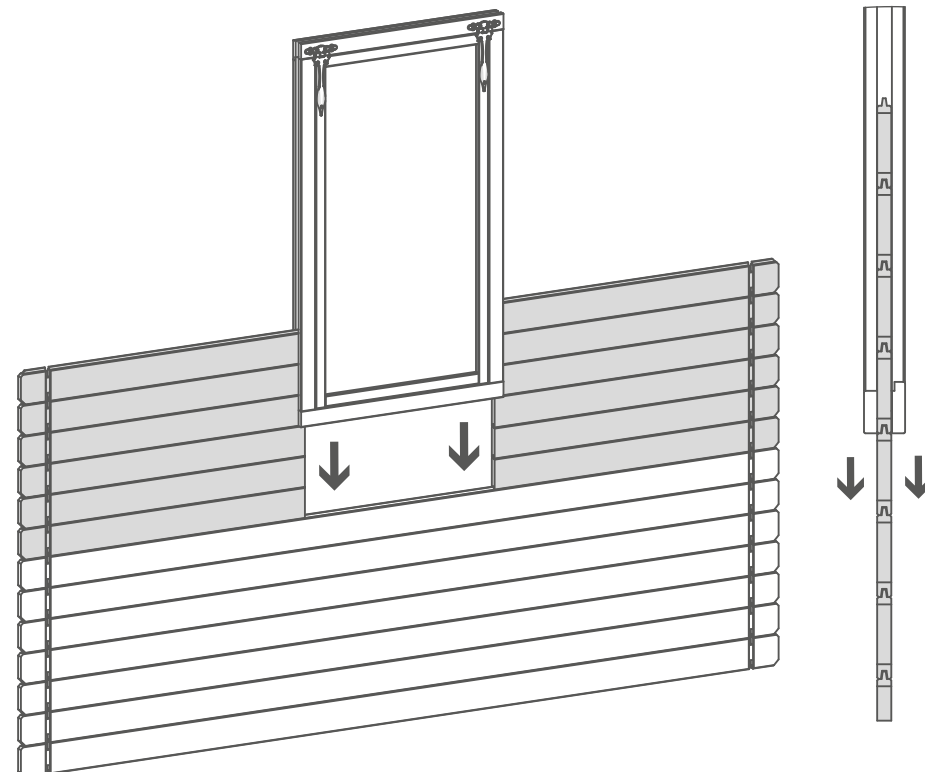


**Step 11: Window Frame Fit**

Once you have laid the second level of boards onto the assembly slide the window(s) (**No. 1**) between the smaller boards and rest on to the longer board.

**\*Ensure the boards are level with each end.**

**\*Please note:** This image is for illustrative purposes and may differ from your choice in product (regarding window position). Nevertheless the process of fitting the window is the same.

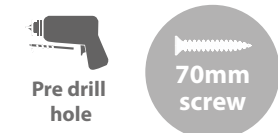


**Step 13** (See Pre-Assembly)

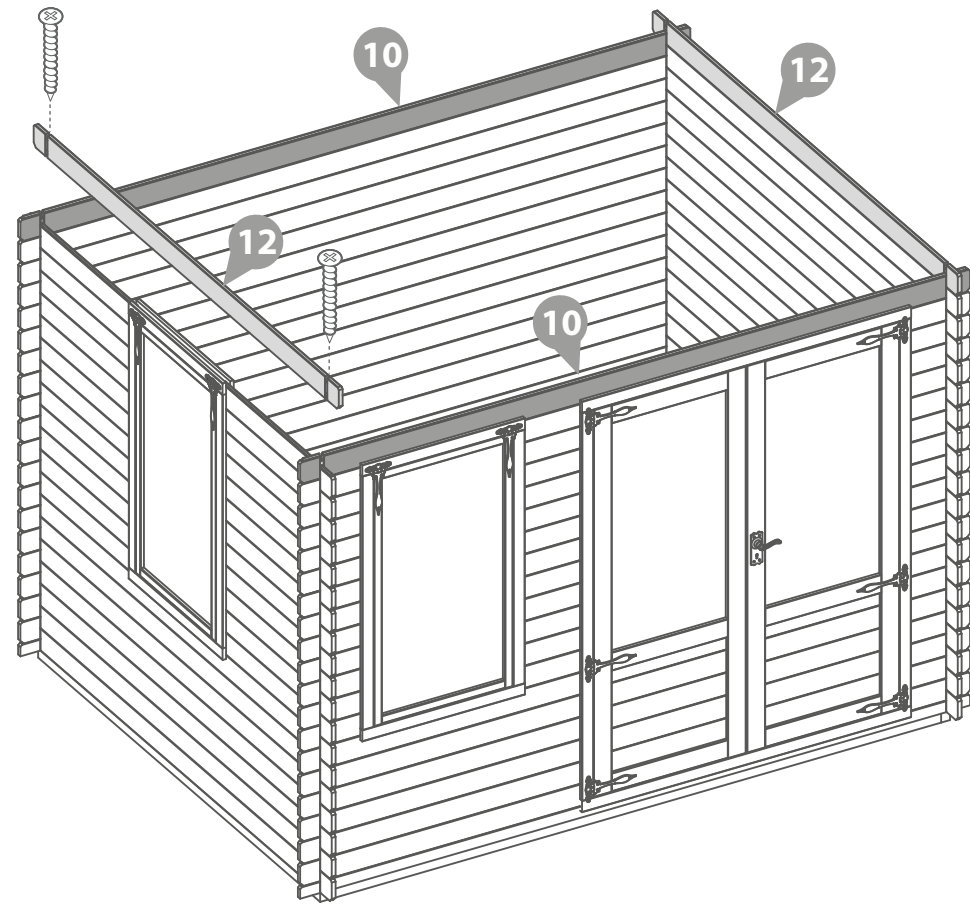
Following the same method outlined in *Pre-Assembly*, lay the last two boards (No. 10) onto the front of the assembly. Once in position place log board AR (No. 12) onto the window and plain side, fixing into position by screwing through the notches as shown in the illustration.

**\*Ensure that the boards are level and flush with each other as you lay each one.**

**4x70mm Screws**



**IMPORTANT: It is imperative that you pre-drill before fixing screws.**

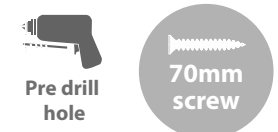


**Step 14** (See Pre-Assembly)

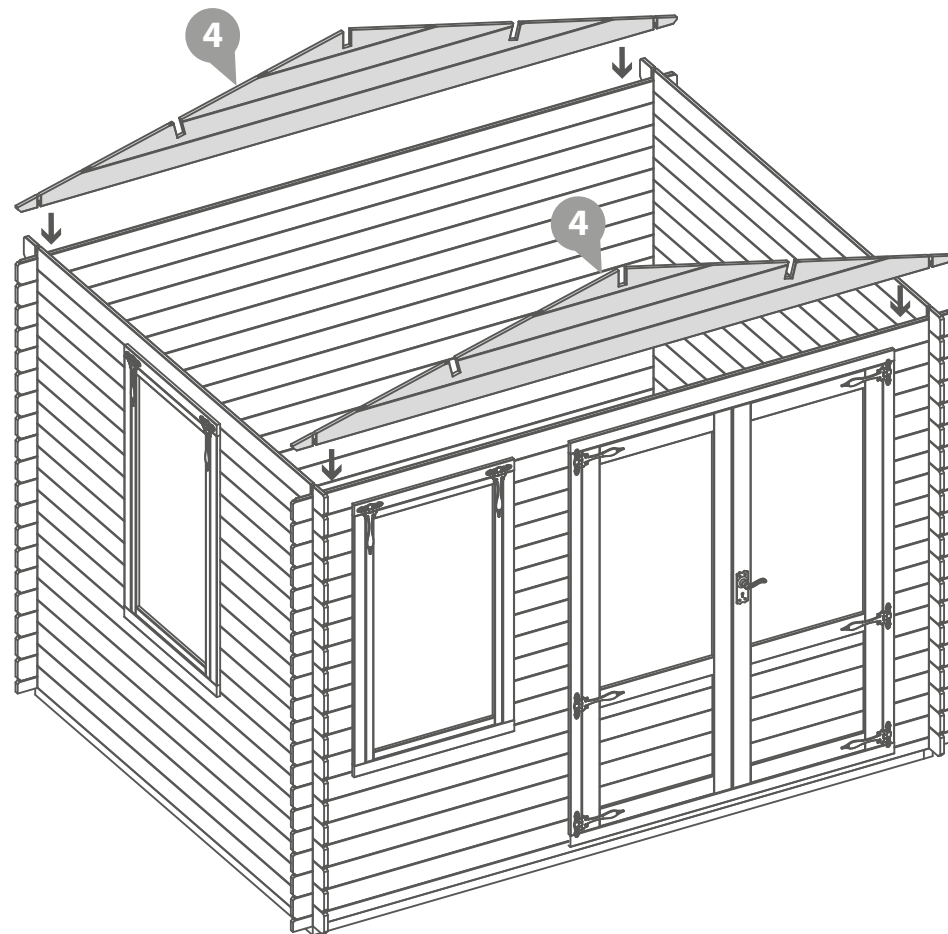
Place the gable tops (No. 4) onto the assembly. Fix into position by screwing through the notches as shown in the illustration.

**\*Ensure that the boards are level and flush with each other as you lay each one.**

**4x70mm Screws**



**IMPORTANT: It is imperative that you pre-drill before fixing screws.**



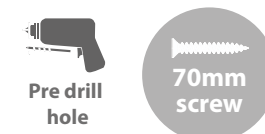
**Step 15: Ridge Bar Fit**

Align the ridge bar(s) (No. 12) into the cut out slots on each gable top ensuring each ridge bar interlocks the boards.

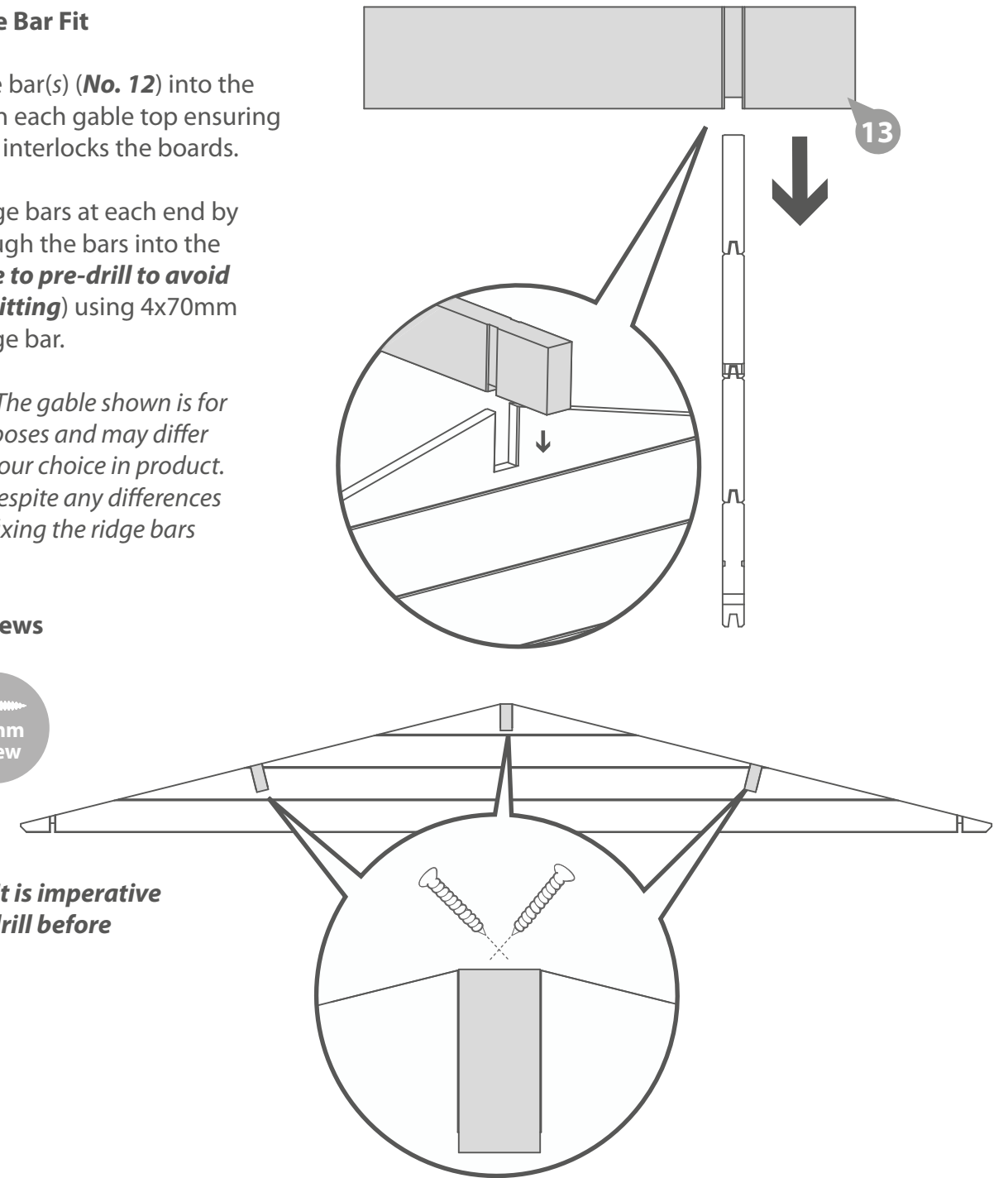
Secure the ridge bars at each end by screwing through the bars into the boards (**ensure to pre-drill to avoid the boards splitting**) using 4x70mm screws per ridge bar.

**\*Please note:** The gable shown is for illustrative purposes and may differ in width from your choice in product. Nevertheless, despite any differences the process of fixing the ridge bars is the same.

**12x70mm Screws**



**IMPORTANT: It is imperative that you pre-drill before fixing screws.**





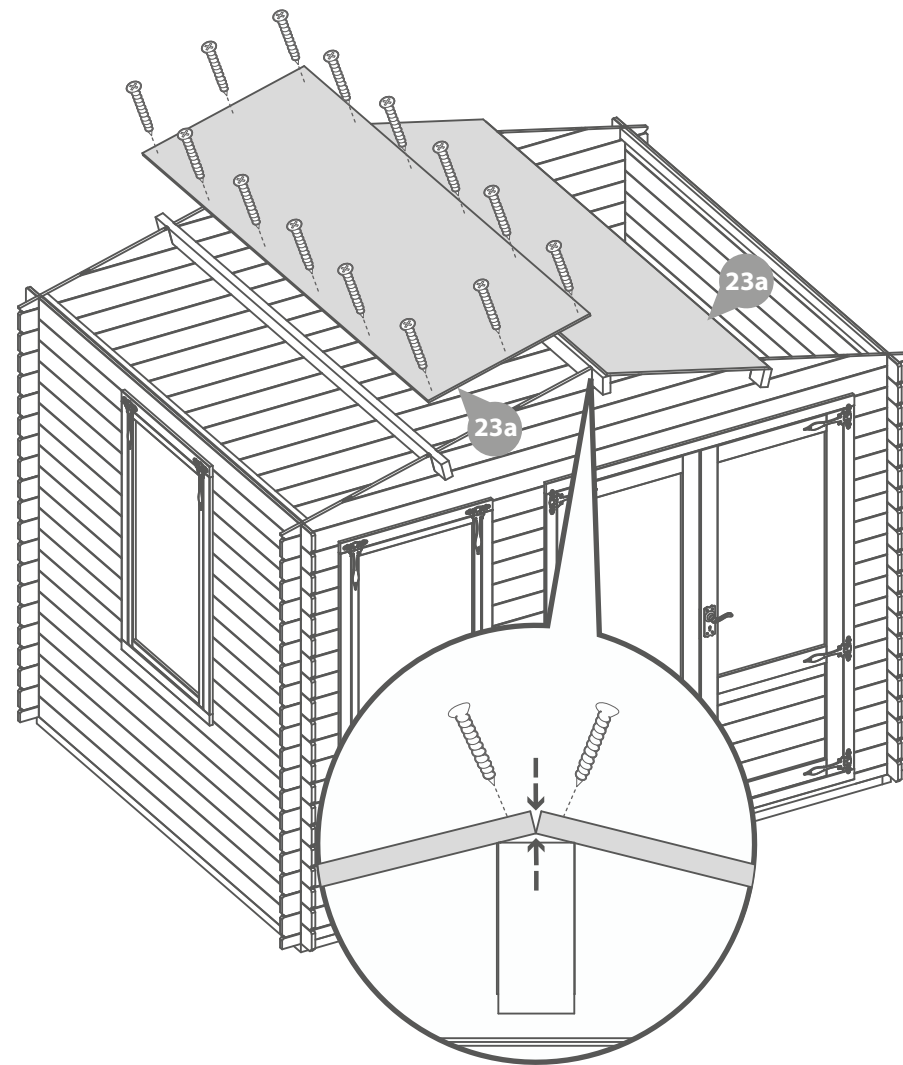
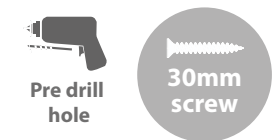
**Step 16 A (OSB option only)**

Place the first two roof sheets (**No. 22a**) onto the building.

**\*Ensure the roof sheets meet at the top of the apex and sit centrally over the roof bars.**

Secure each roof sheet in place using 18x30mm screws per sheet as shown in the illustration.

**36x30mm Screws**



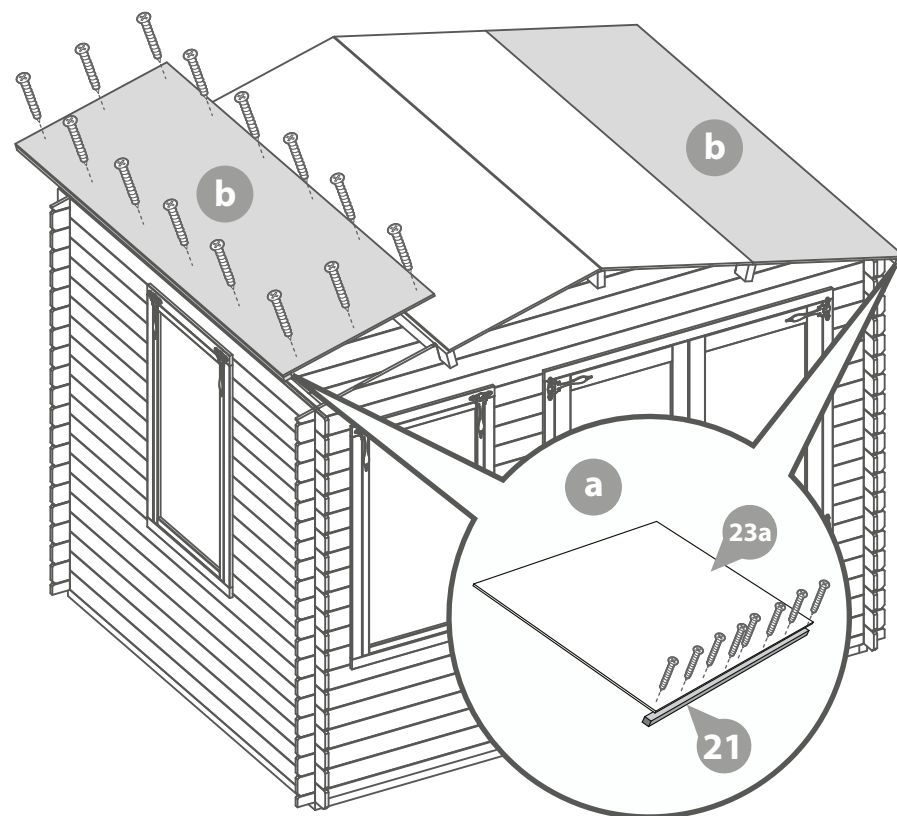
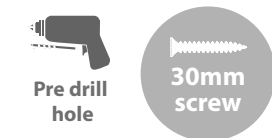
**Step 16 A - Continued (OSB option only)**

Place the first two roof sheets (**No. 22a**) onto the building.

**\*Ensure the roof sheets meet at the top of the apex and sit centrally over the roof bars.**

Secure each roof sheet in place using 18x30mm screws per sheet as shown in the illustration.

**36x30mm Screws**



**Step 16 B (T&G option only)**

Place the first two roof board's (**No. 23b**) onto the assembly on each side, making sure the boards are flush to the end of the roof purlin. Once in position fix to each purlin using 3x40mm screws.

**\*Ensure the roof boards meet at the top of the apex and leave an overhang at the bottom.**

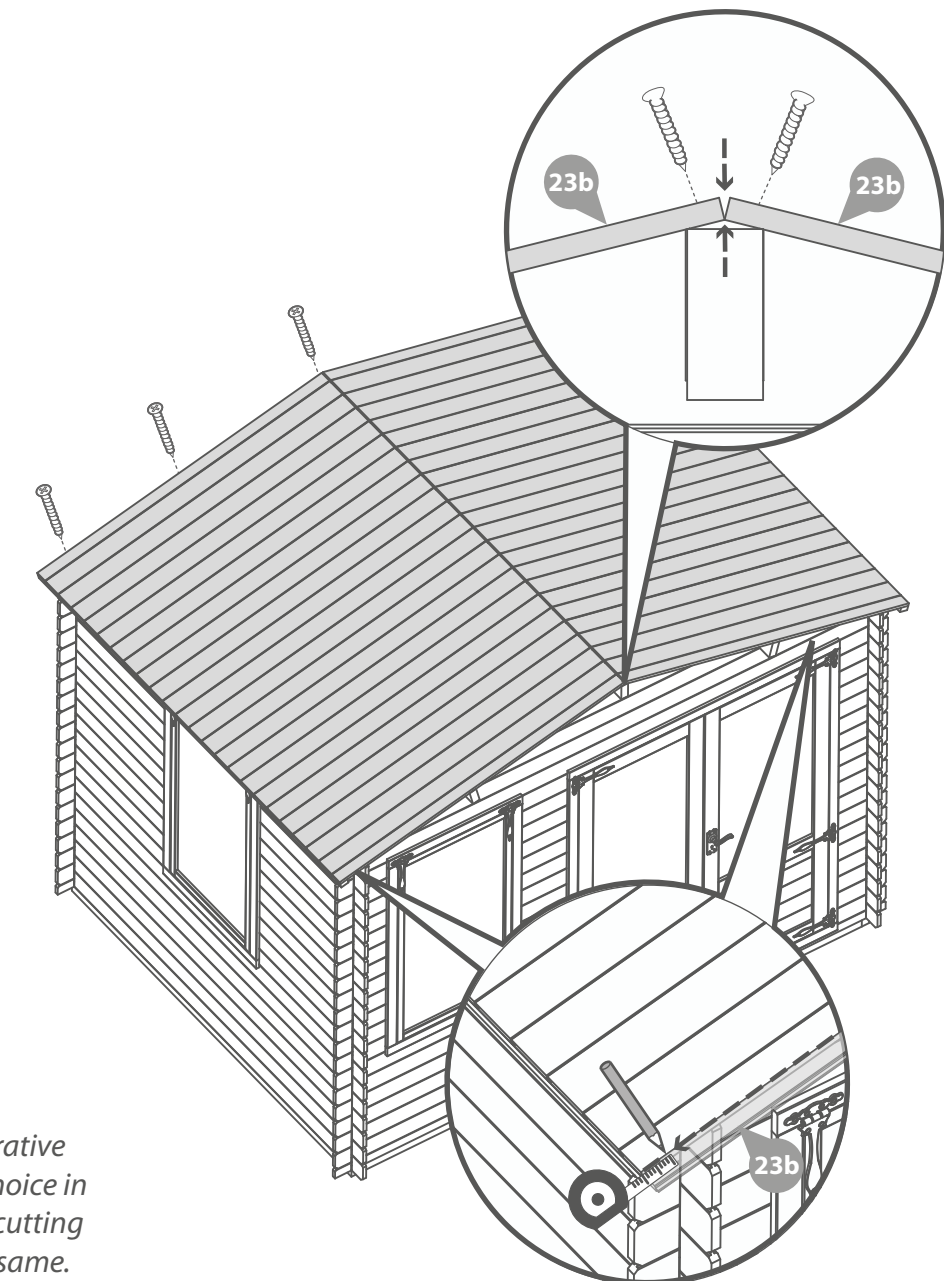
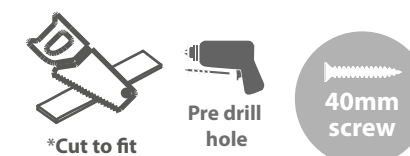
Continue adding the roof boards along the roof, fixing each one into position using 3x40mm screws, making sure that each board is interlocked, flush at the bottom & meet at the top of the apex.

The last board on each side will overhang: Using a straight edge and a pencil mark out a line as a guide.

Cut along the pencil mark and remove the excess. Place the cut down board's back onto the roof and secure into place using 3x40mm screws per board.

**\*Please Note:** This image is for illustrative purposes and may differ from your choice in product. Nevertheless the process of cutting and fitting the last roof boards is the same.

**144x40mm Screws**



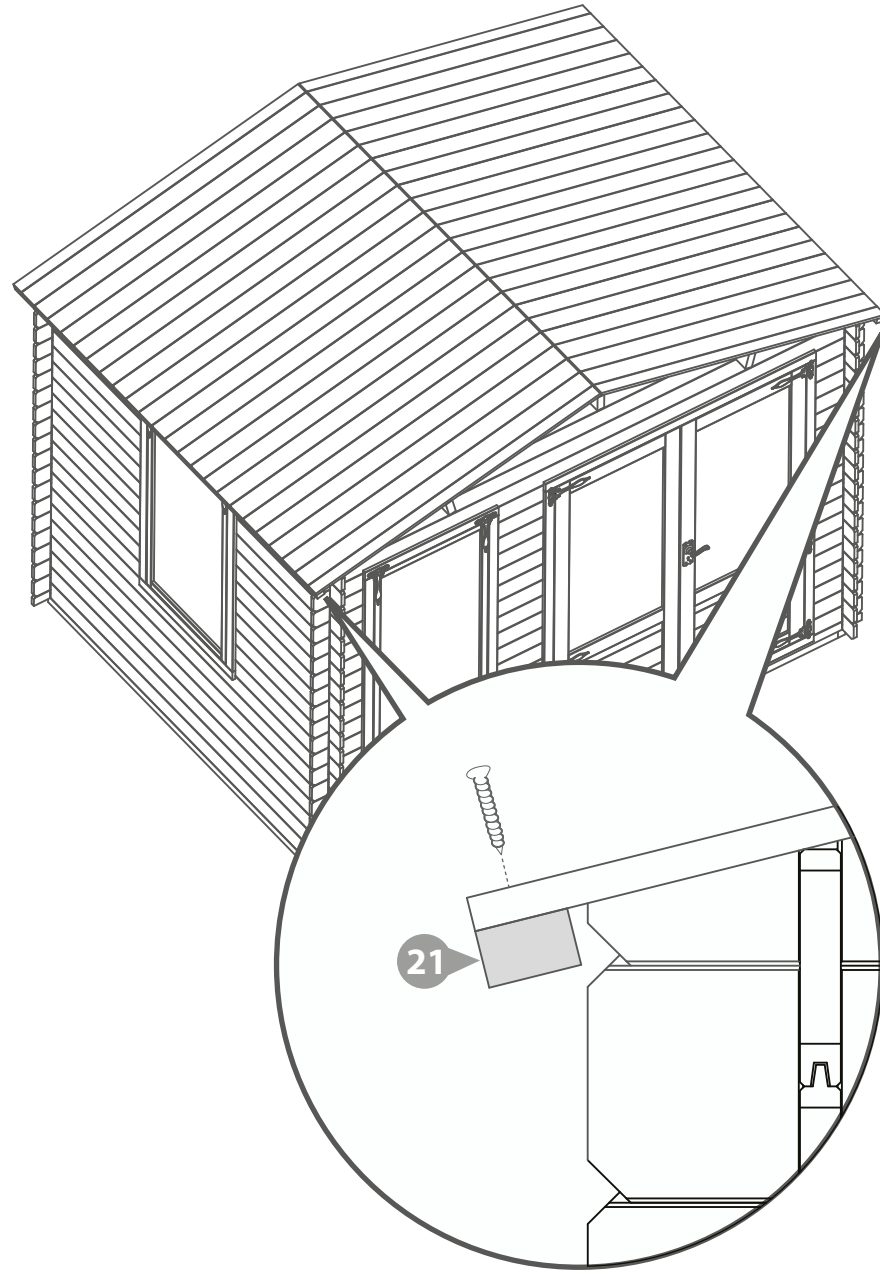
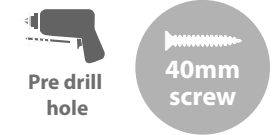


### Step 16 B Continued (T&G option only)

Ensuring the roof boards are flush at the overhanging side and meet at the apex, fix the eaves frames (No. 21) to the underside of the roof boards using 9x40mm screws as shown in the illustration

**\*Please Note:** This image is for illustrative purposes and may differ from your choice in product. Nevertheless the process of fixing the eaves frames is the same.

#### 18x40mm Screws

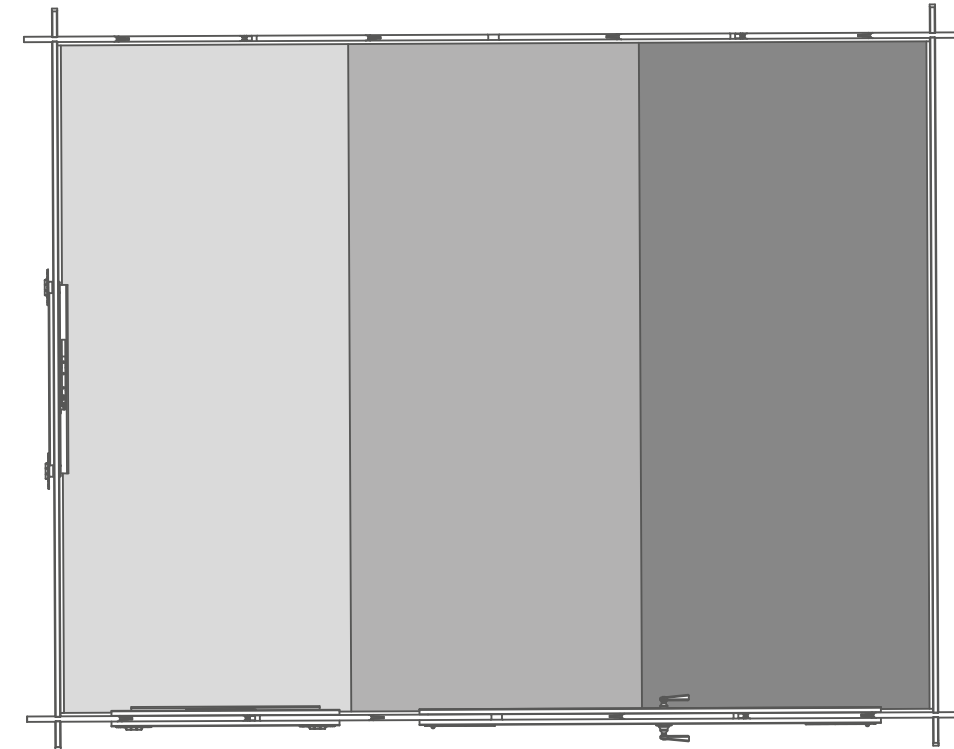
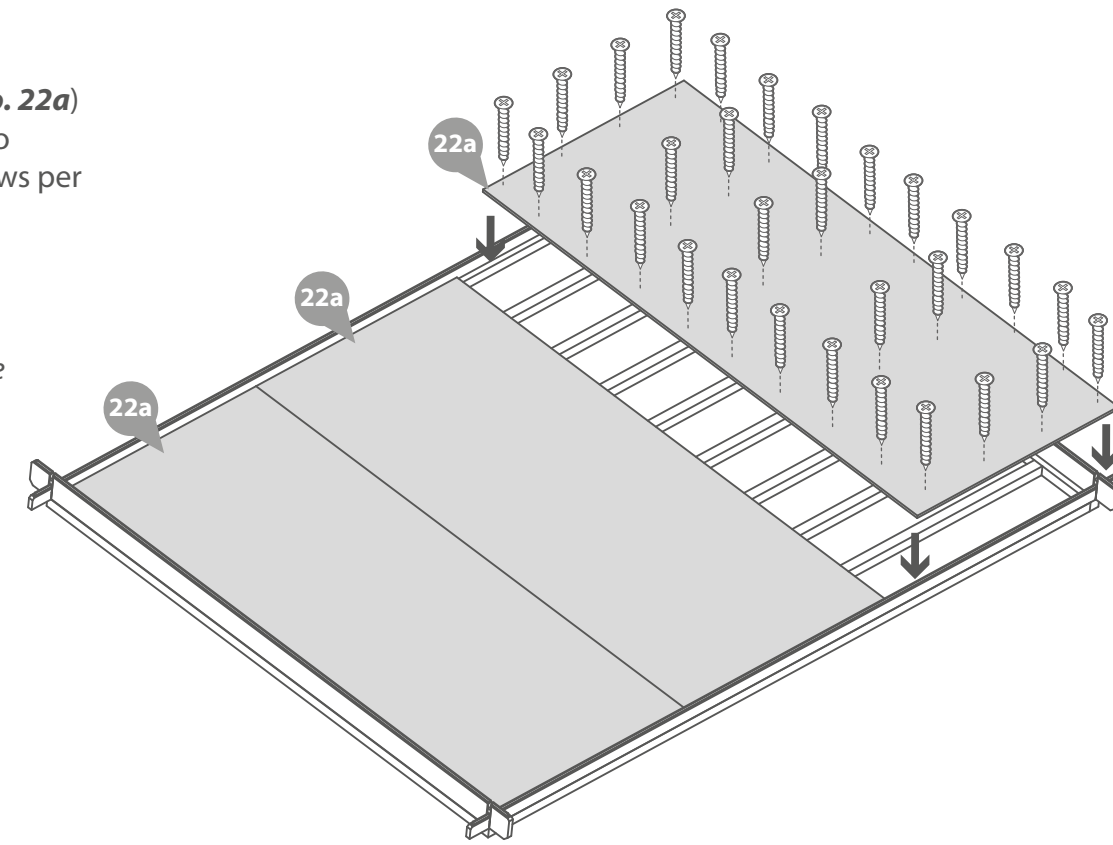
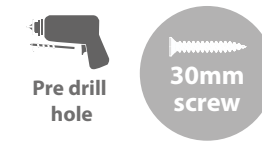


### Step 17 A (OSB option only)

Place the OSB floor sheets (No. 22a) inside the building and fix into position using 30x30mm screws per floor sheet as shown in the illustration.

**\*Please Note:** Ensure to screw through the OSB sheets into the floor bearers.

#### 90x30mm Screws



**Step 17 B (T&G option only)**

Place the first floor board (**No. 22b**) inside the building flush to the log board on one side. Continue adding the floor boards (*internally*) making sure to interlock each individual board.

**\*Do NOT secure the boards until the last board has been measured and cut.**

Following the same method outlined in **Step 15 B** measure the gap between the bottom of the tongue (**on the last board placed**) and the log board.

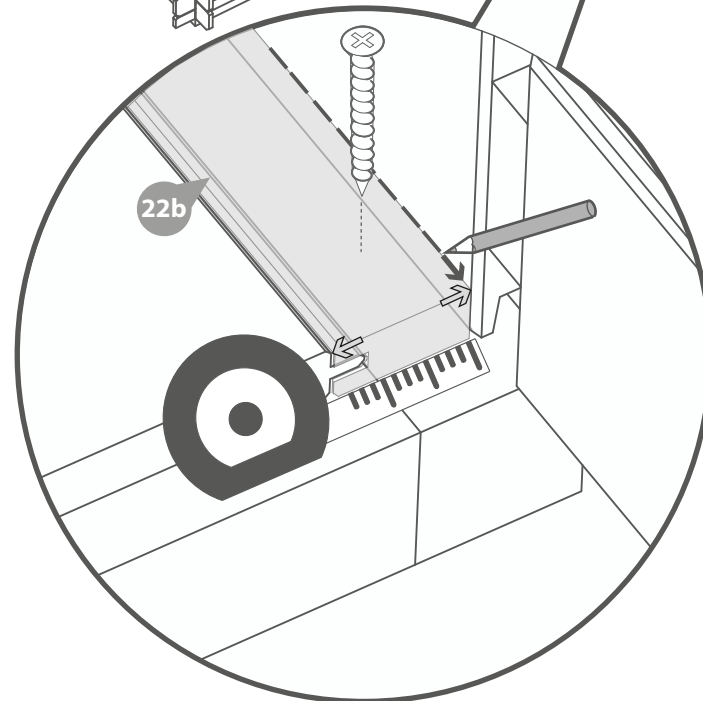
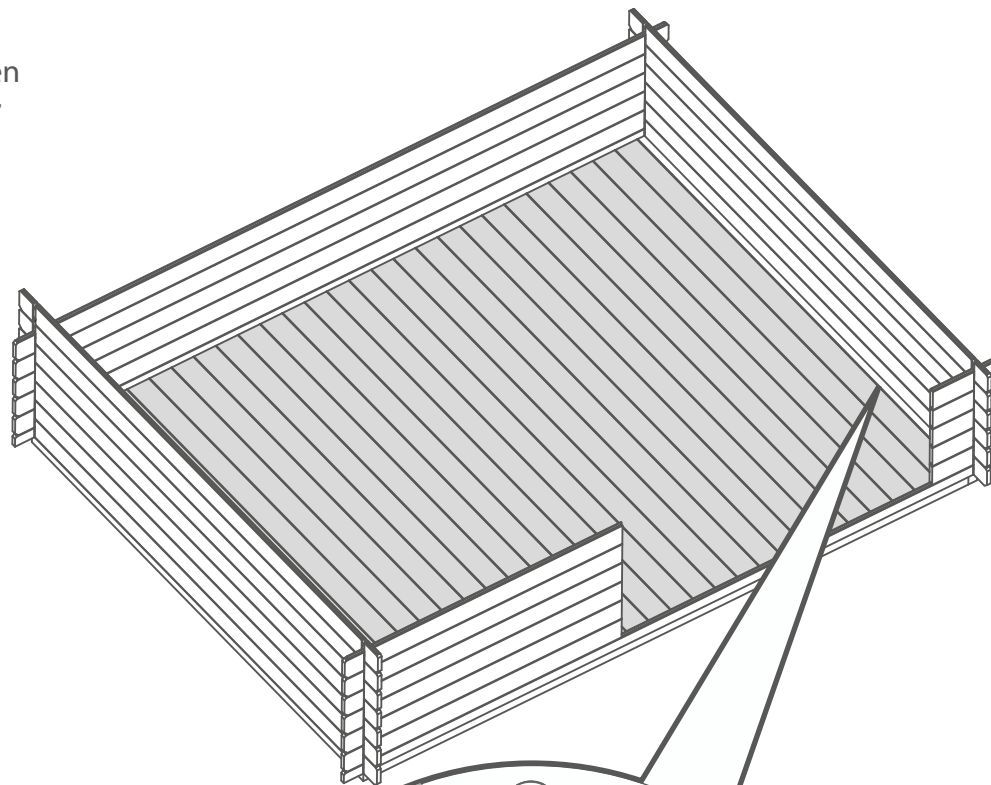
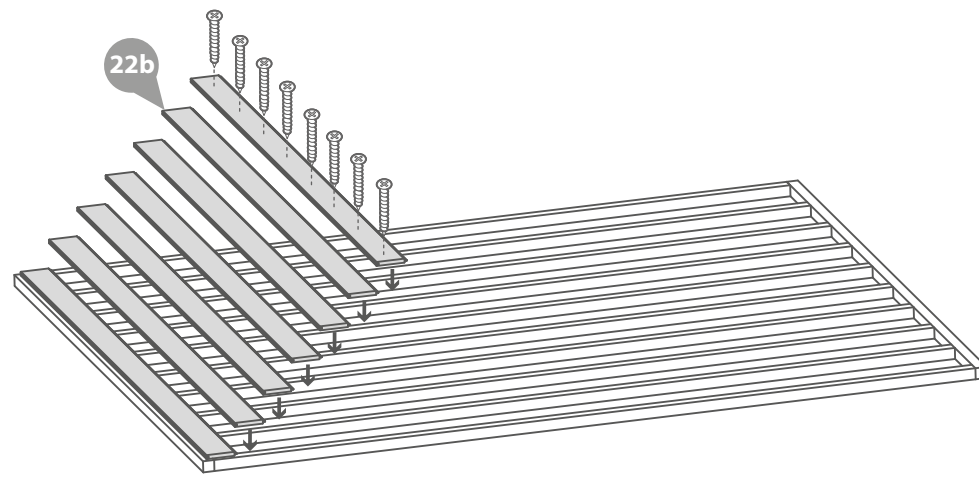
Using a straight edge mark out the measurement onto the last floor board (No. 22b) and cut along the length removing the excess.

**\*\*Please note:** Mark the final board 2mm under the measurement; This will allow the timber to expand and contract correctly.

Once all the floor boards are in position secure each board into position using 8x40mm screws.

**\*\*\*Please Note:** Ensure to screw through each of the floor boards into the floor bearers.

**232x40mm Screws**



**Step 18**

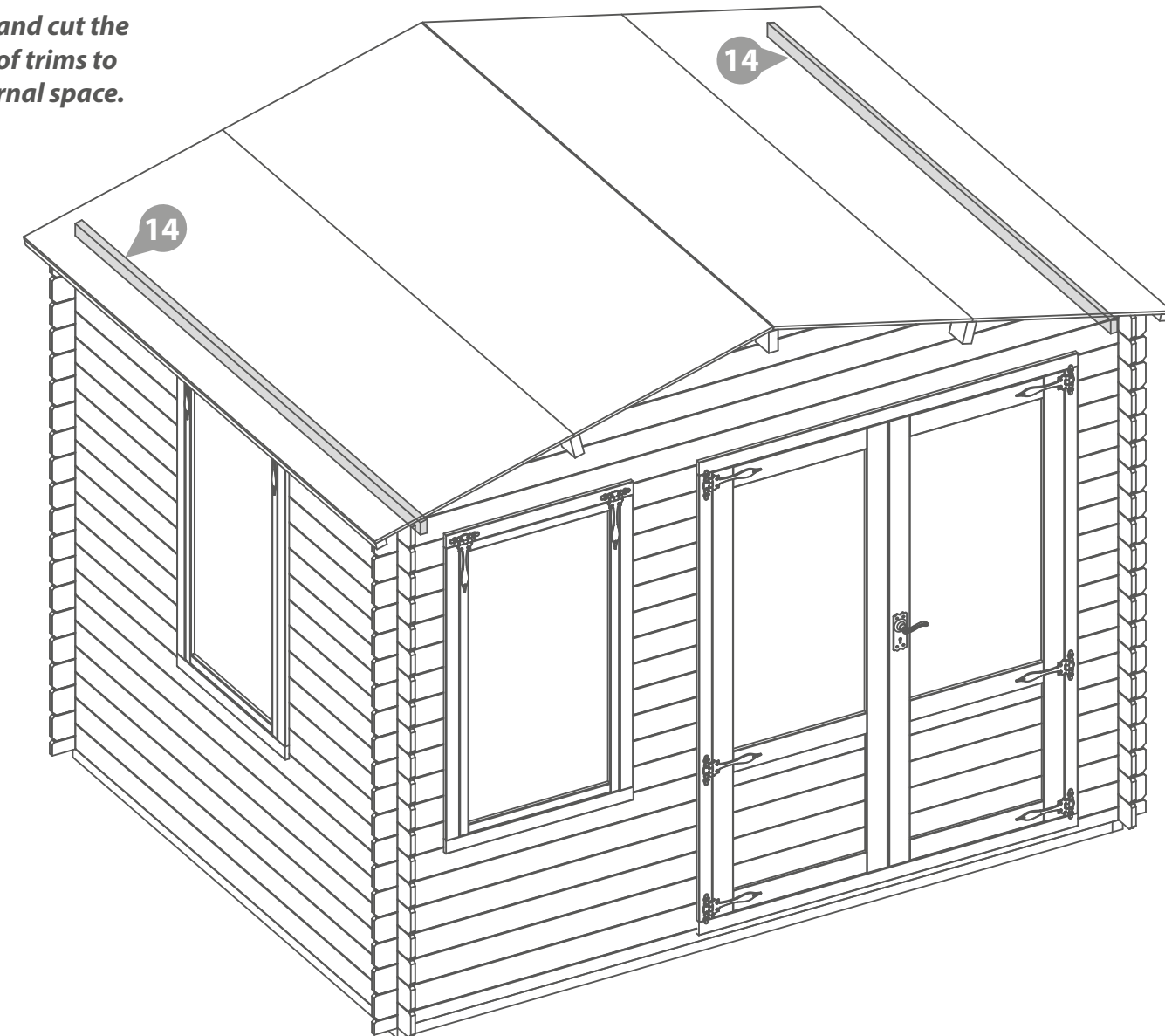
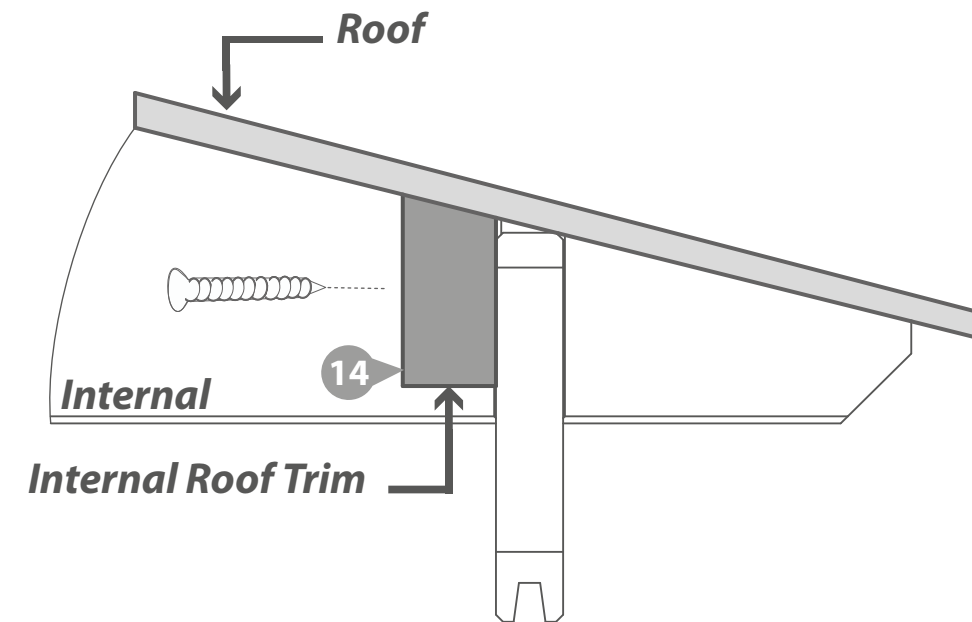
Inside the building place an internal roof trim (**No. 14**) against the boarding and align with the roof as shown in the illustration, ensuring the angled face follows the roof line.

Once in position fix each roof trim into place using 8x40mm screws per light block, equally spaced along the face of the board.

**16x40mm Screws**



**\*Measure and cut the interior roof trims to fit the internal space.**



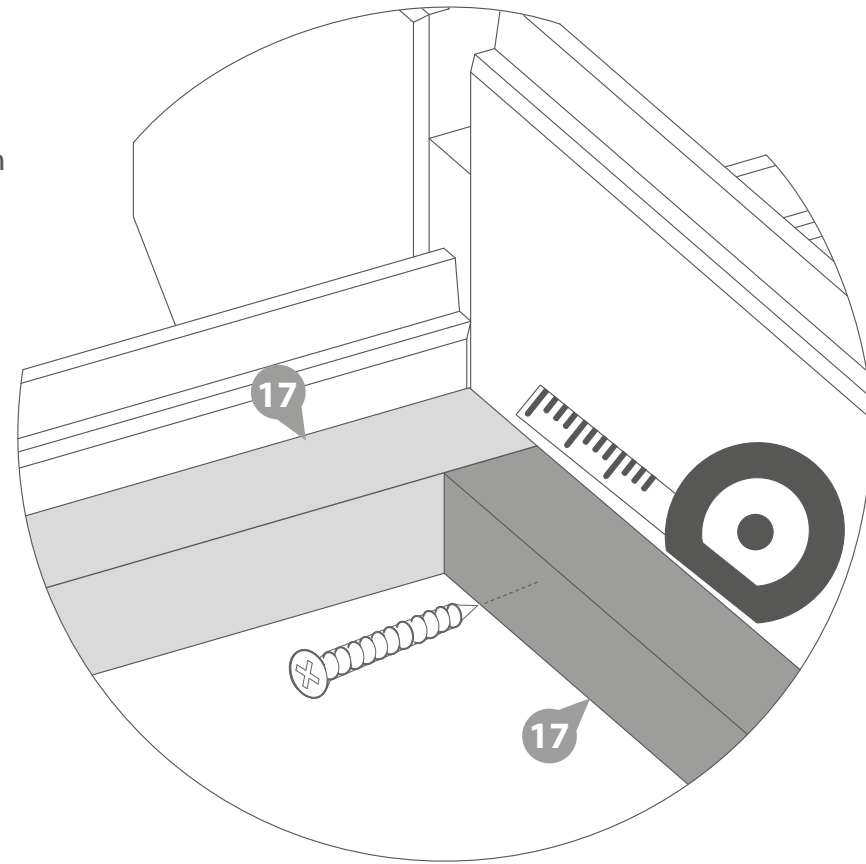
### Step 19

Once the floor has been laid arrange the skirting (**No. 17**) around the outside edge of floor (**internally**), measure and cut down accordingly to best match the internal space.

Secure each skirting section into place using 30mm spaced equally along the board as shown in the illustration.

**\*Do NOT fix the skirting to the floor sheets/boards.**

40x30mm Screws



### Step 20

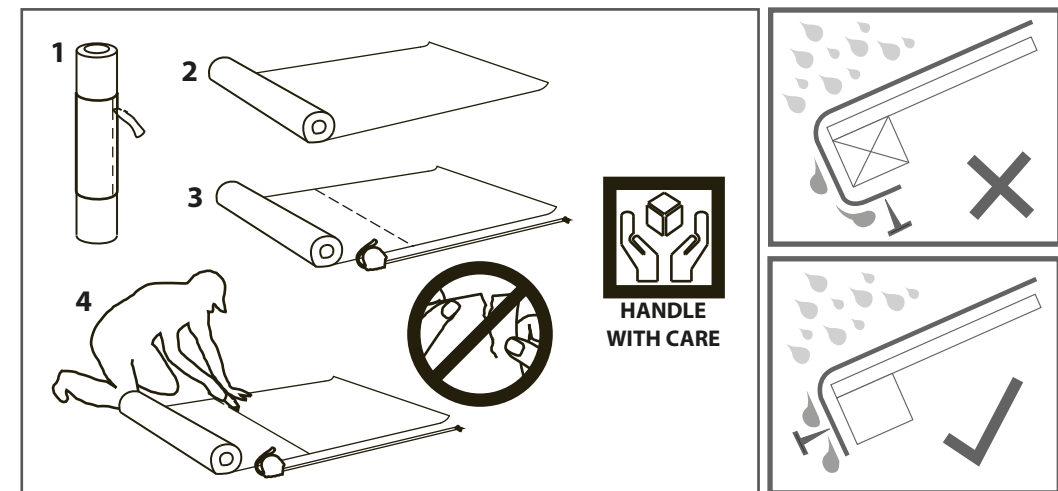
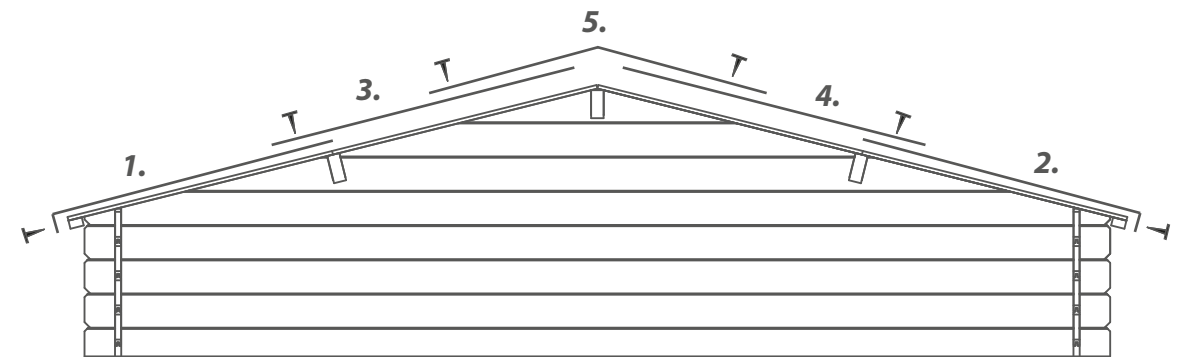
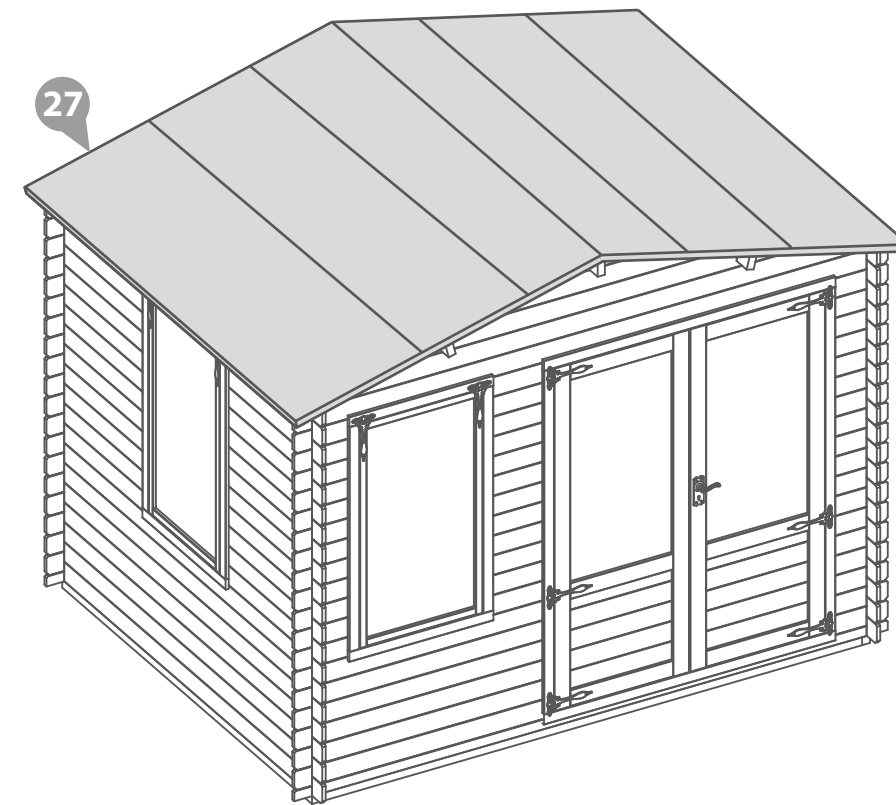
Cut the felt (**No. 27**) into five & strips lay onto the roof in the order shown in the illustration.

**\*Ensure there is approximately 50mm of overhanging felt each side.**

Once the felt is laid out fix to the roof using felt tacks at 100mm intervals.

**\*Felt size: 2724mm**

170x Felt Tacks



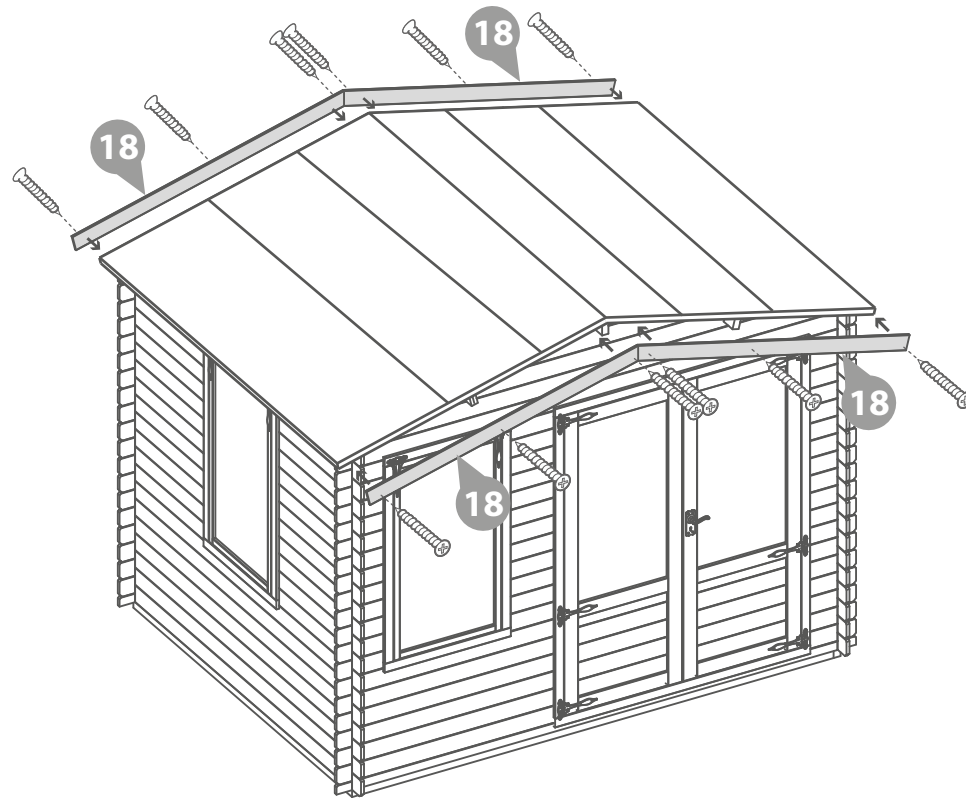


### Step 21

Align the fascia's (**No. 18**) with the roof and fix into place using 3x40mm screws per fascia, making to screw through the fascia into the roof purlins and eaves frame..

**\*Ensure the angled cuts meet at the top of the apex.**

#### 12x40mm Screws



### Step 22

Arrange the storm braces (**No. 29**) around the building (**internally**). Place 2x storm braces per side fixing into place using 2x 80mm bolts per brace, making sure the washer & nut are tightened from the outside of the building.

**\*Ensure the storm braces are secured at the highest point possible on each side.**

**\*\*Storm braces will help your building expand and contract properly.**

**\*\*\*It is imperative that each bolt is tightened using a washer so as not to damage the log boards.**

#### 16x80mm Bolt Sets

