

04GREEN0606SD-V2

6X6 GREENHOUSE

BEFORE YOU START PLEASE READ INSTRUCTIONS CAREFULLY

- Check the pack and make sure you have all the parts listed.
- When you are ready to start, make sure you have the right tools at hand (not supplied) including a Phillips screwdriver, Stanley knife, Wood saw, Step ladder, Hammer and a Drill with 2mm bit.
- Ensure there is plenty of space and a clean dry area for assembly.

TIMBER

As with all natural materials, timber can be affected during various weather conditions. For the duration of heavy or extended periods of rain, swelling of the wood panels may occur. Warping of the wood may also occur during excessive dry spells due to an interior moisture loss. Unfortunately, these processes cannot be avoided but can be helped. It is suggested that the outdoor building is sprayed with water during extended periods of warm sunshine and sheltered as much as possible during rain or snow.

Our buildings are pre treated with a water based treatment**; this only helps to protect the product during transit and for up to 3 months against mould. To validate your guarantee and ensure longevity of the product, it is ESSENTIAL the building is treated with a wood preserver within the first three months of assembly and thereafter in accordance with the manufactures recommendations. Care must be taken to ensure the product is placed on a suitable base.

BUILDING A BASE

When thinking about where the building and base is going to be constructed: Ensure that there will be access to all sides for maintenance work and annual treatment.

Ensure the base is level and is built on firm ground, to prevent distortion. Refer to diagrams for the base dimensions, The base should be slightly smaller than the external measurement of the building, i.e. The cladding should overlap the base, creating a run off for water. It is also recommended that the floor be at least 25mm above the surrounding ground level to avoid flooding.

TYPES OF BASE

- Concrete 75mm laid on top of 75mm hard-core.
- Slabs laid on 50mm of sharp sand.

Whilst all products manufactured are made to the highest standards of Safety and in the case of childrens products independently tested to EN71 level, we cannot accept responsibility for your safety whilst erecting or using this product.

Refer to the instructions pages for you specific product code



x2

All buildings should be erected by two adults



Winter = High Moisture = Expansion
Summer = Low Moisture = Contraction



2mm Drill bit

For ease of assembly, you **MUST** pilot drill all screw holes and ensure all screw heads are countersunk.



CAUTION

Every effort has been made during the manufacturing process to eliminate the prospect of splinters on rough surfaces of the timber. You are strongly advised to wear gloves when working with or handling rough sawn timber.



For ease of assembly, you will need a tape measure to check dimensions of components.

****Protim Aquatan T5 (621)****

Your building has been treated with **Aquatan**.

Aquatan is a water-based concentrate which is diluted with water, the building as been treated by the correct application of Aquatan solution and then allowed to dry.

Aquatan is a decorative finish to colour the wood, which is applied industrially to timber fence panels and garden buildings.

Aquatan undiluted contains: boric acid, sodium hydroxide 32% solution, aqueous mixture of sodium dioctyl sulphosuccinat and alcohols: 2, 4, 6-trichlorophenol.

Pressure Treated Timber

Pressure treating is a chemical process which helps to protect wood against adverse weather which could lead to rot or insect damage.

The most common chemicals used to pressure treat wood are **Alkaline Copper Quaternary (ACQ)**, **Copper Azole (CA)**, and **Micronized Copper Quaternary (MCQ)**.

Safety: Always wear gloves, eye protection and a dust mask when handling wood. Due to chemicals in pressure treated wood, never burn its sawdust or scraps; instead dispose in a landfill.

For assistance please contact customer care on: 01636 880514

**Mercia Garden Products Limited,
Sutton On Trent,
Newark,
Nottinghamshire,
NG23 6QN**

www.merciagardenproducts.co.uk

04GREEN0406SD-V2

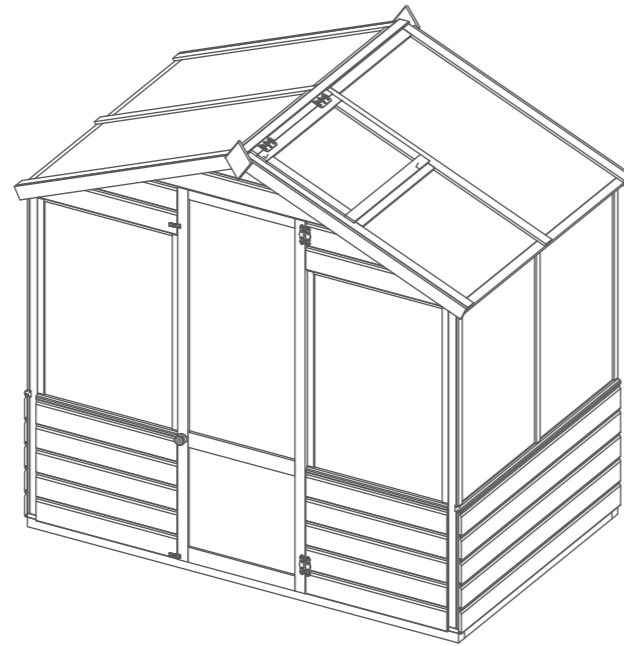
Please retain product label and instructions for future reference

Overall Dimensions:

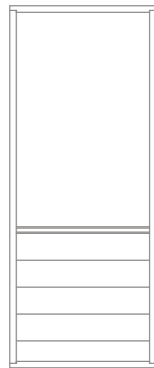
Width = 1215mm
Depth = 1887mm
Height = 2066mm

Base Dimensions:

Width = 1191mm
Depth = 1862mm



1



Door Side

AI-04GREENDS610X1543-V2

QTY 2

2

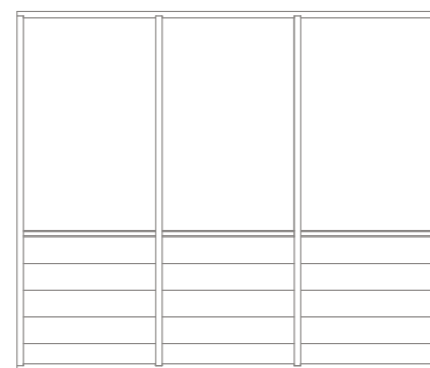


Sml Window Side

AI-04GREENWS1193X1543-V2

QTY 2

3



Lrg Window Side

AI-04GREENWS1776X1543-V2

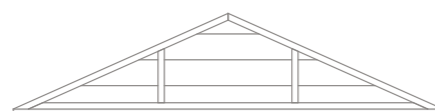
4



Door Gable Top

AI-04GREENDGT1864X426-V1

5



Plain Gable Top

AI-04GREENPGT1864X426-V1

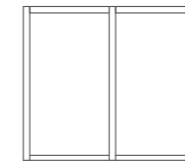
6



**Roof
(Opening Window)**

AI-04GREENROOFOW1217X1050-V1

7



Roof

AI-04GREENROOF1217X1050-V1

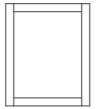
8



Door

AI-04GREENDOOR550X1720-V2

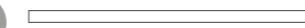
9



Opening Window

AI-04GREENOW560X460-V1

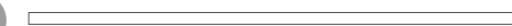
10



Fascia 1075mm

S1260-1075mm

11



Base Frame 1862mm

F4444-1862mm

12



Base Frame 1103mm

F4444-1103mm

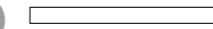
13



Roof Support Bar 1217mm

F2744-1217mm (8mm LIP, X2 66DEG CUTS)

14



Door Frame 556mm

F2744-556mm

15



Door strip 1717mm x2

S1230-1717mm

16



Roof trim 1241mm

S1256-1241mm

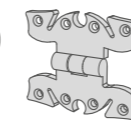
17



Door strip 556mm

S1230-556mm

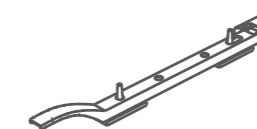
18



Butterfly Hinges QTY 2

PI-07-0004

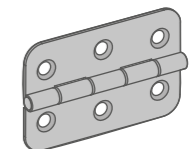
19



Window Casement Stay

PI-07-0008

20



Butt Hinge QTY 2

PI-07-0066

21



Finial QTY 2

SHED DIAMOND FINIAL

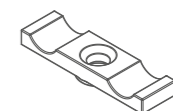
22



Wooden Knob

PI-04-0024

23



Turn Button QTY 2

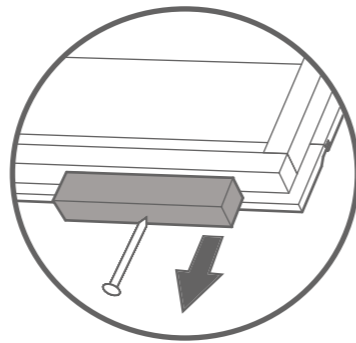
PI-07-0182

Nail Bag



Pre-Assembly

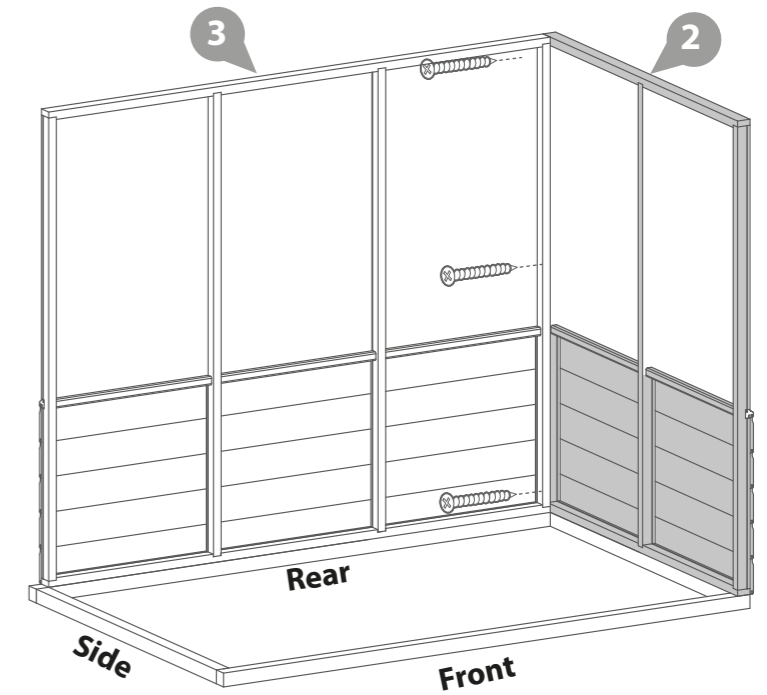
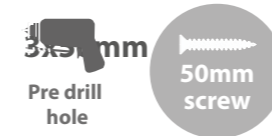
Before assembling remove the transportation blocks from the bottom of each panel.



Step 2

Fix the corners of the Sml Window Side (**No. 2**) and the Lrg Window Side (**No. 3**) with 3x50mm screws as shown in the diagram.

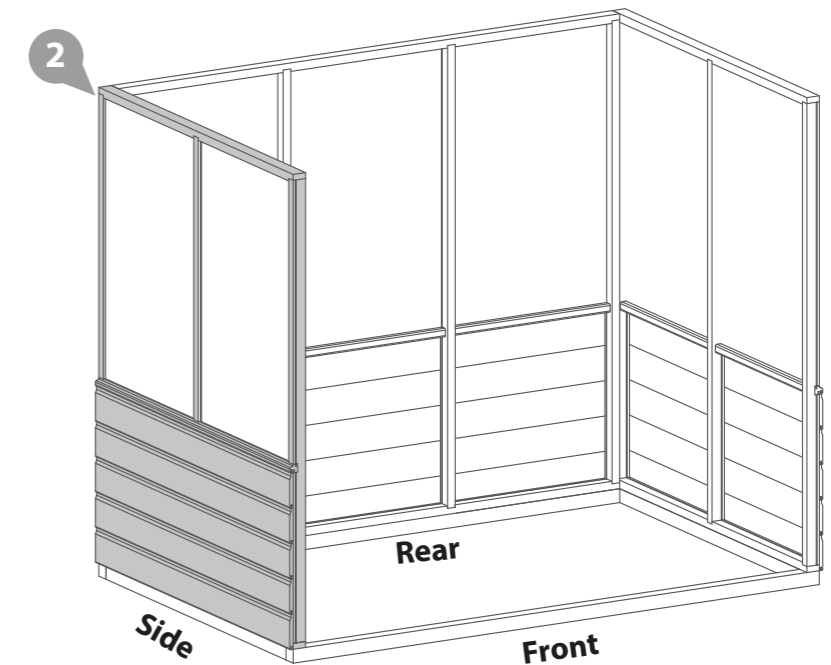
The Panel which will be the rear of the building sits inbetween the two side panels.



Step 3

Fix the remaining Sml Window Side (**No. 2**) at the corner using 3 x 50mm screws.

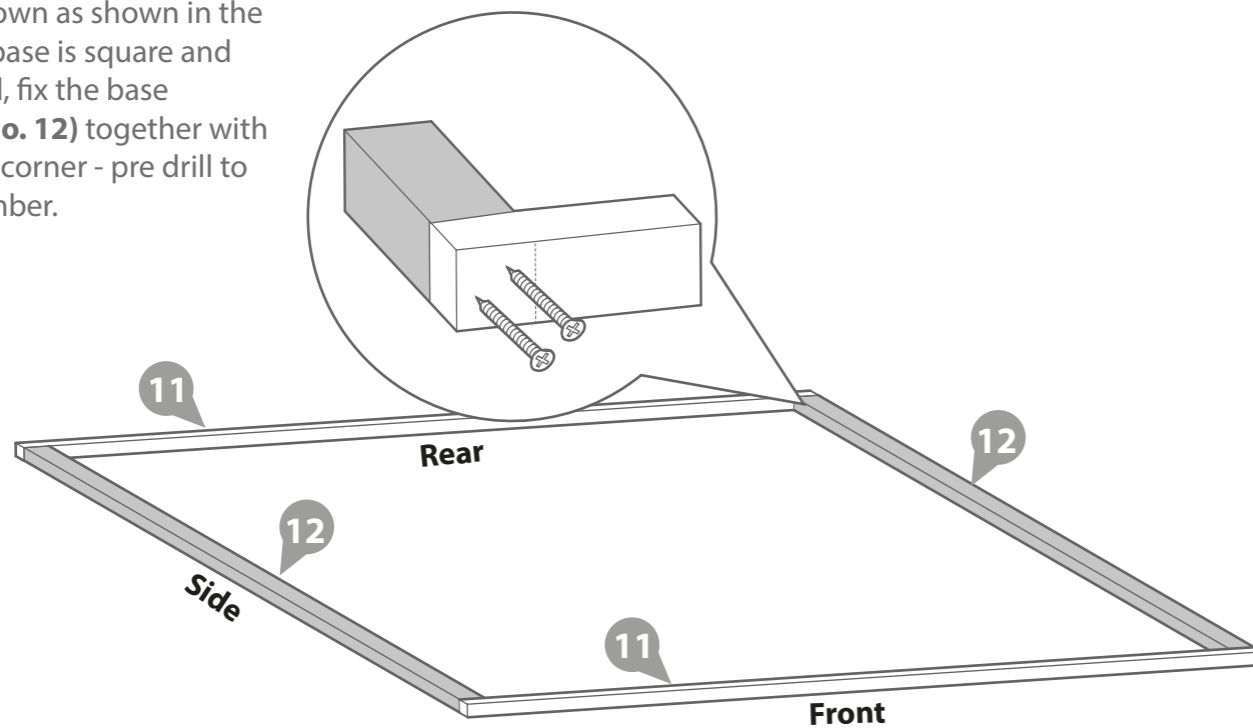
3x50mm screws.



Step 1

Lay the base frame down as shown in the diagram. Ensure the base is square and layed on level ground, fix the base framing (**No. 11**) & (**No. 12**) together with 2 x 70mm screws per corner - pre drill to avoid splitting the timber.

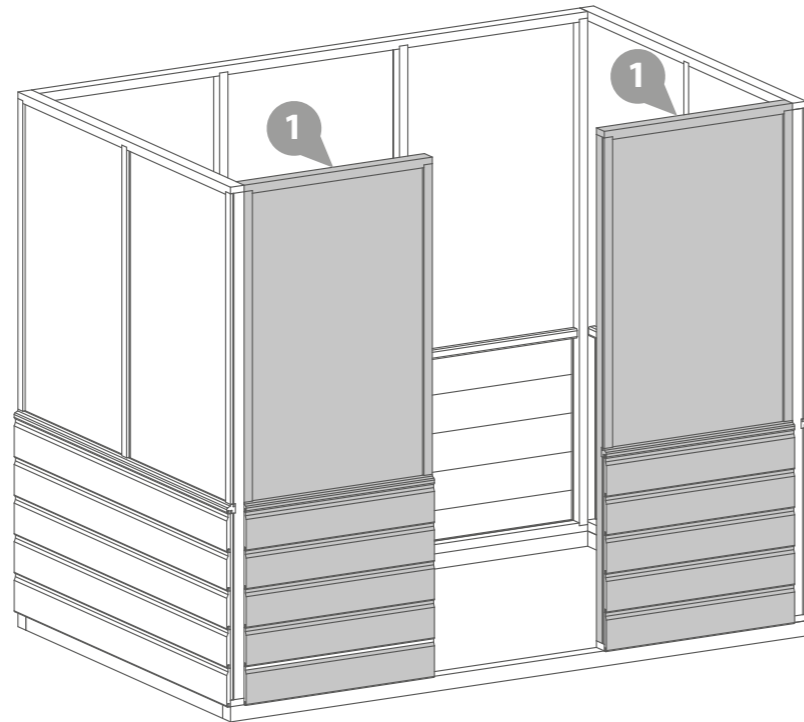
8x70mm screws.



Step 4

Fix the Door Sides (**No. 1**) between the window panels using 6x50mm screws.

6x50mm Screws.



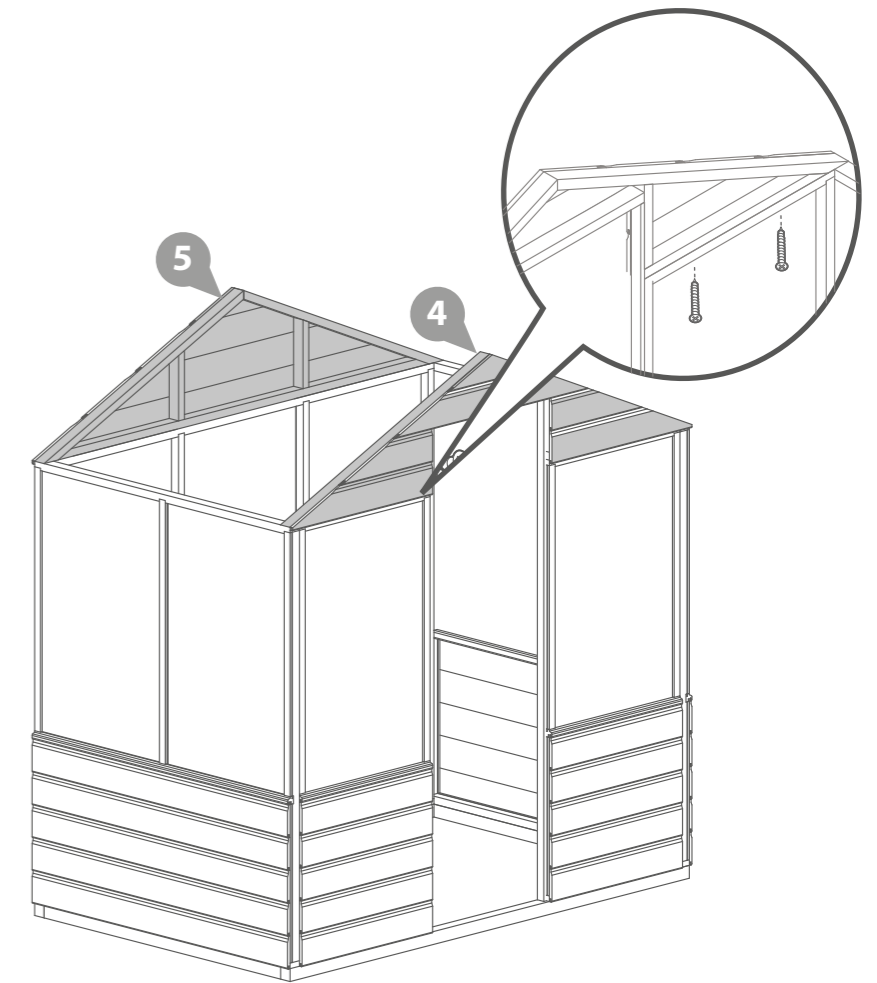
Step 6

Fix the gable tops (**No. 4**) & (**No. 5**) to the panels using 4x50mm screws per top as shown in the diagram.

8x50mm Screws.

The building can now be attached to the floor framing with 6x50mm screws per side.

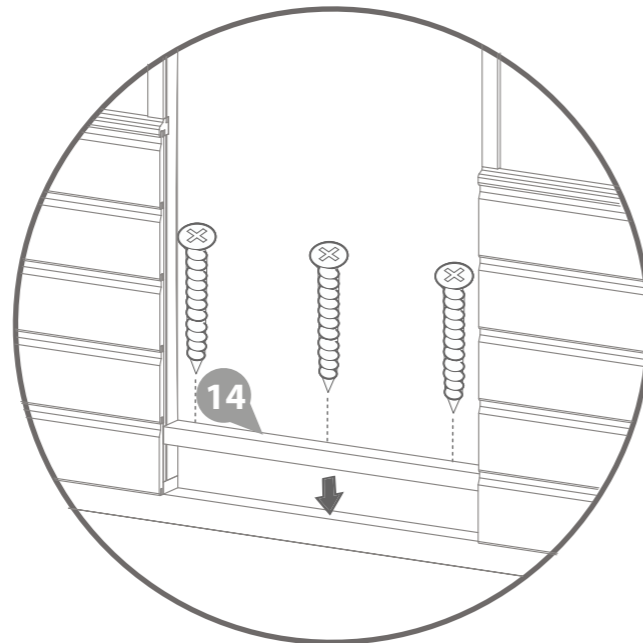
24x50mm Screws.



Step 5

Fix the Door frame (**No. 14**) between the Door sides. This allows for the door sides to be correctly spaced.

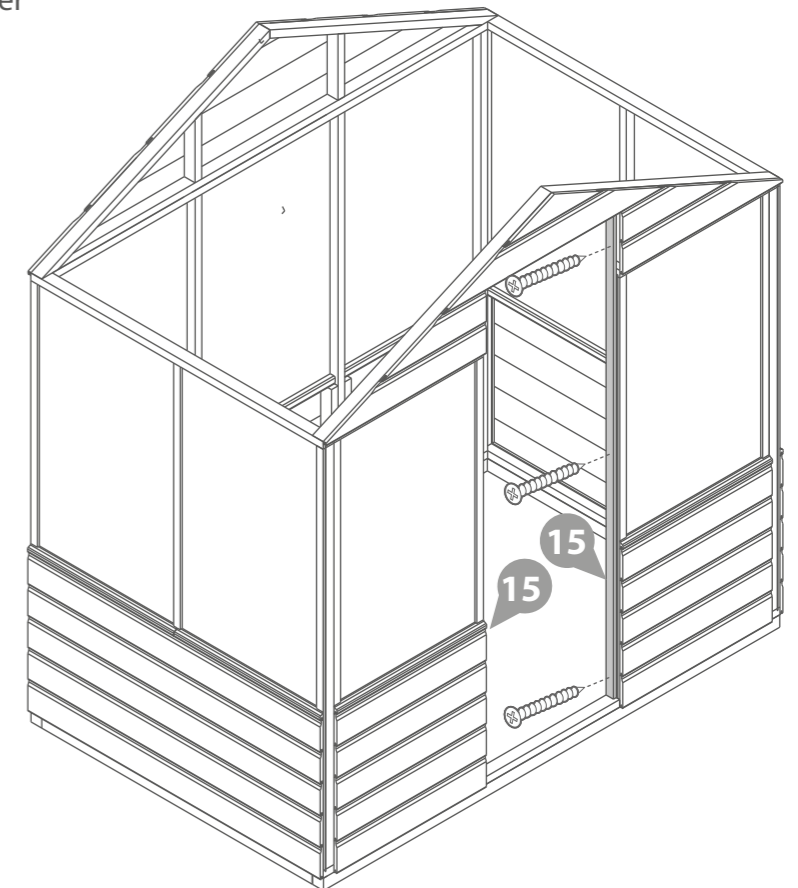
3x40mm Screws.



Step 7

Fix the two Door strips (**No. 15**) to either side of the door panels with 3x30mm screws per strip.

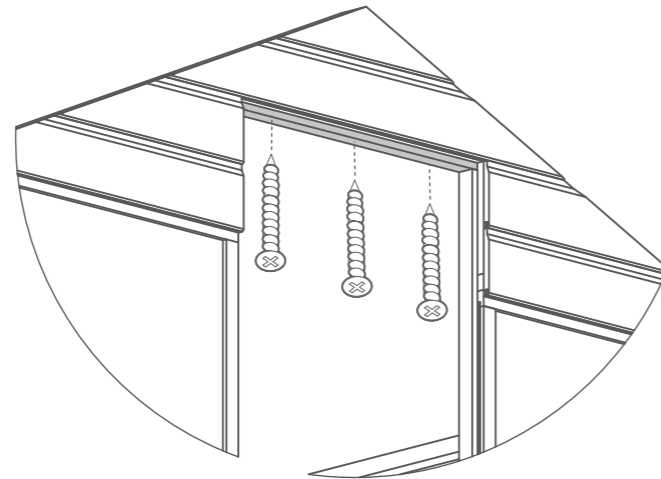
6x30mm Screws.



Step 8

Fix the short Door strip (**No. 17**) to the top of the door opening with 3x30mm screws.

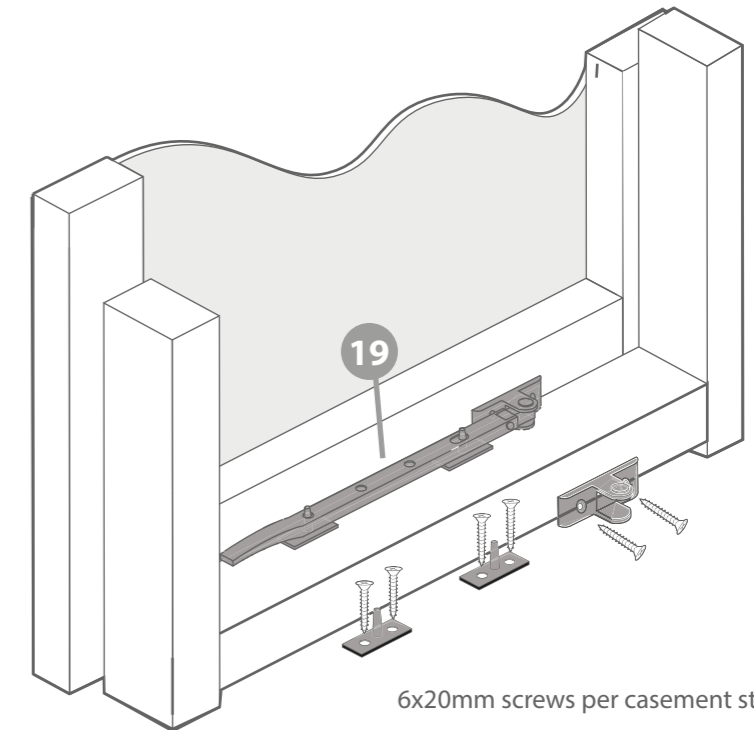
3x30mm Screws.



Step 10

Fix the Casement stay (**No. 19**) to the opening window then align the fixings onto the window panel frame. Ensure the casement stay fits into fixings when closed before screwing them down using 6x20mm screws.

6x20mm Screws.

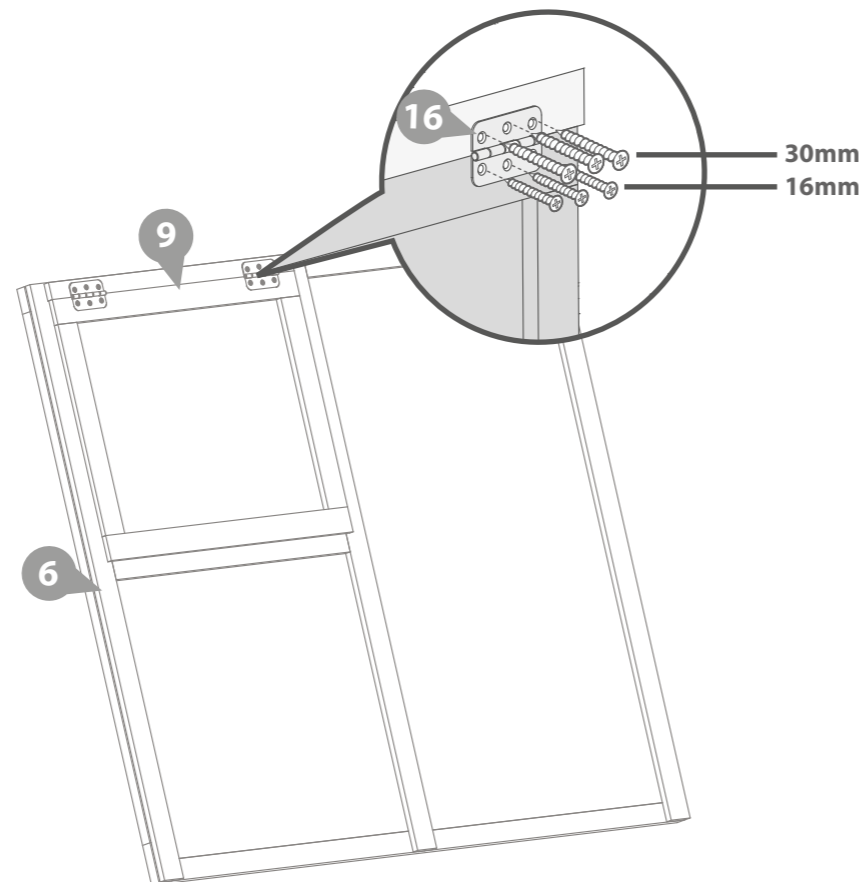
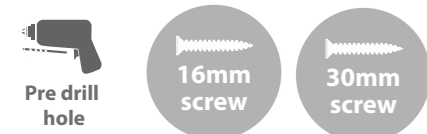


Step 9

Drop the Window (**No. 9**) into the aperture and attach the window to the Roof Panel (**No. 6**) using 3x16mm screws and 3x30mm screws per butt hinge (**No. 16**).

6x16mm Screws.

6x30mm Screws.



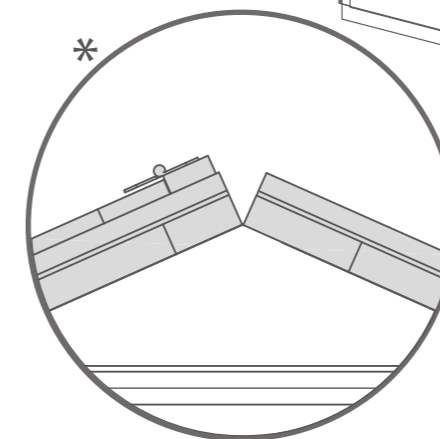
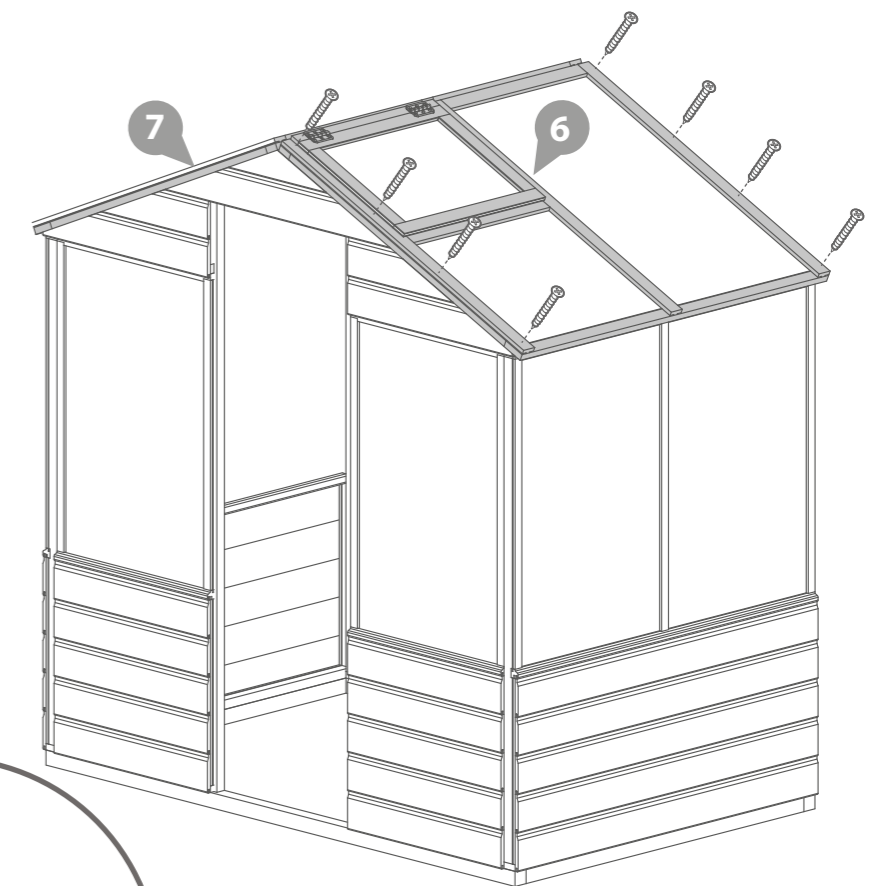
Step 11

Place the Roof panels (**No. 6**) & (**No. 7**) on top of each gable, making sure the roofs are flush to each gable and meet at the top of the apex.

Secure each roof panel to the building using 16x50mm screws.

16x50mm Screws.

***IMPORTANT: Ensure both roof sections meet at the top of the apex as shown in the illustration.**

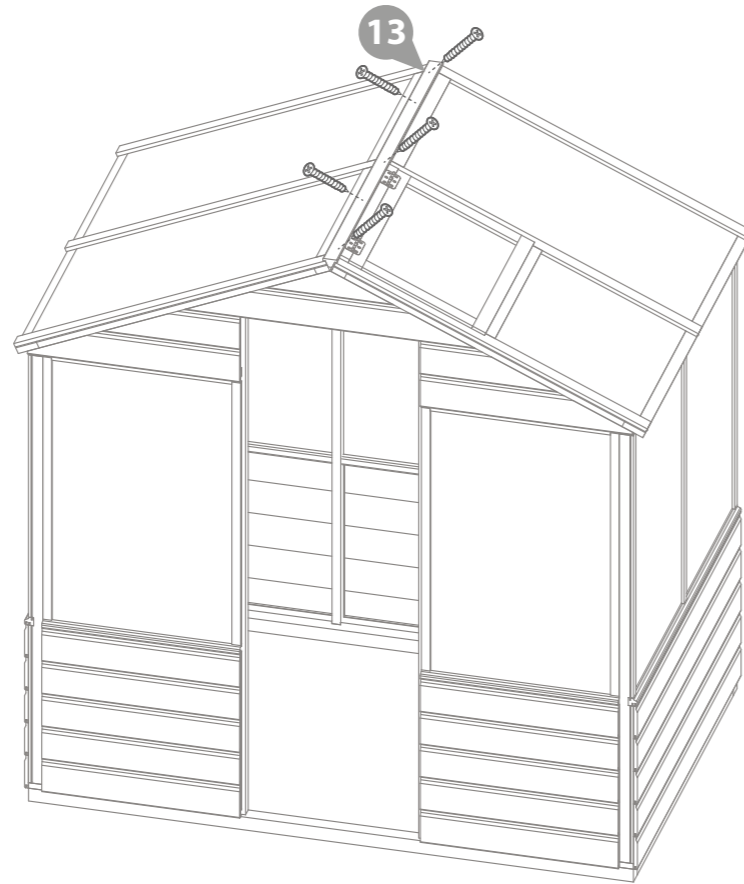


Step 12

Attach the Roof Support bar (**No. 13**) to the roof panels using 5x40mm screws.

Screw diagonally through the support into the roof panel as shown in the diagram.

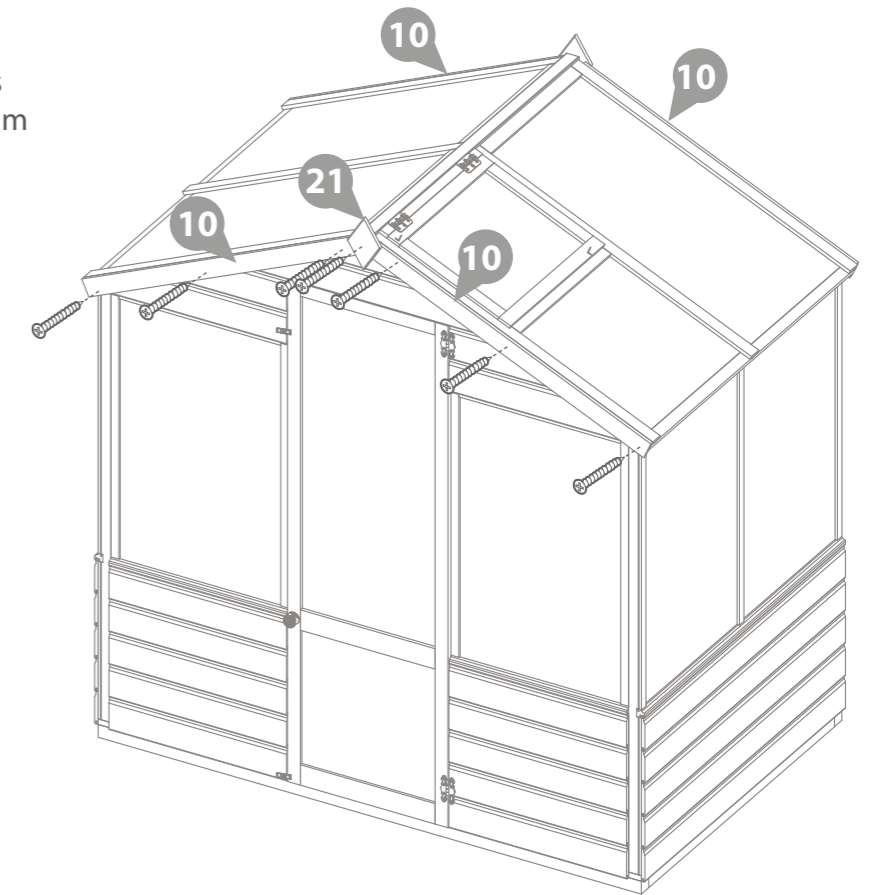
5x40mm Screws.



Step 14

Fit the fascia's (**No. 10**) and the finial's (**No. 21**) to the building using 14x30mm screws as shown in the diagram.

14x30mm Screws



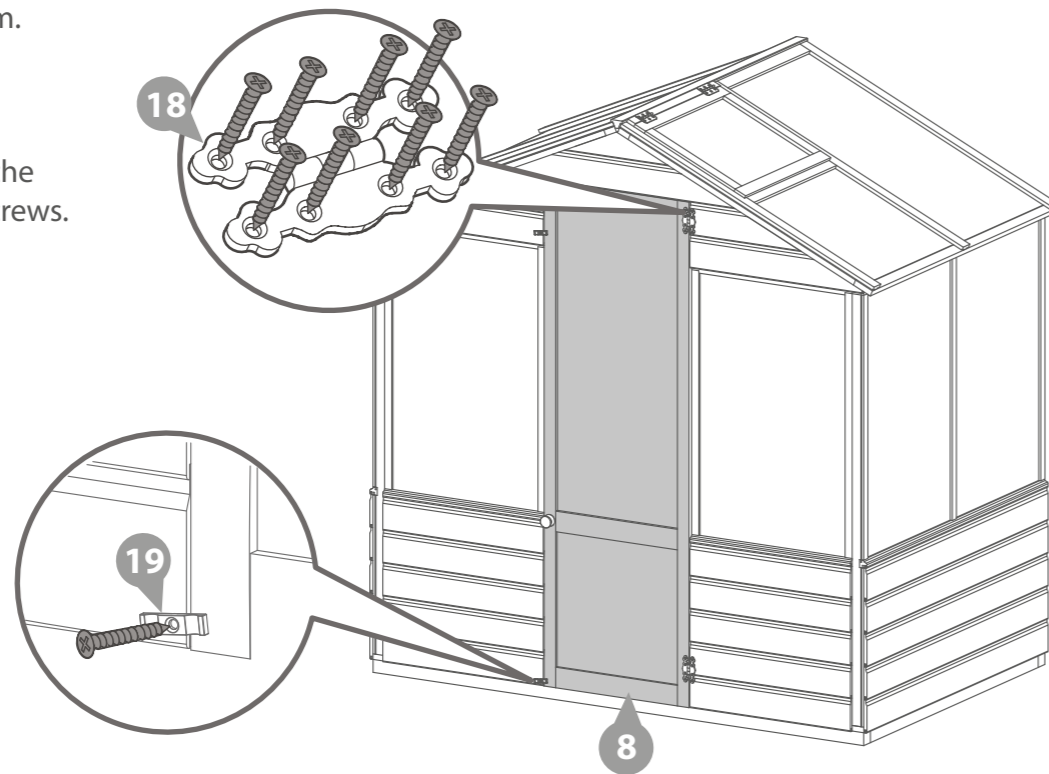
Step 13

Fix the door (**No. 8**) to the building using 16x30mm black screws per hinge (**No. 18**) as shown in the diagram.

16x30mm Black Screws.

Fit the turn buttons (**No. 19**) to the building using 2x30mm black screws.

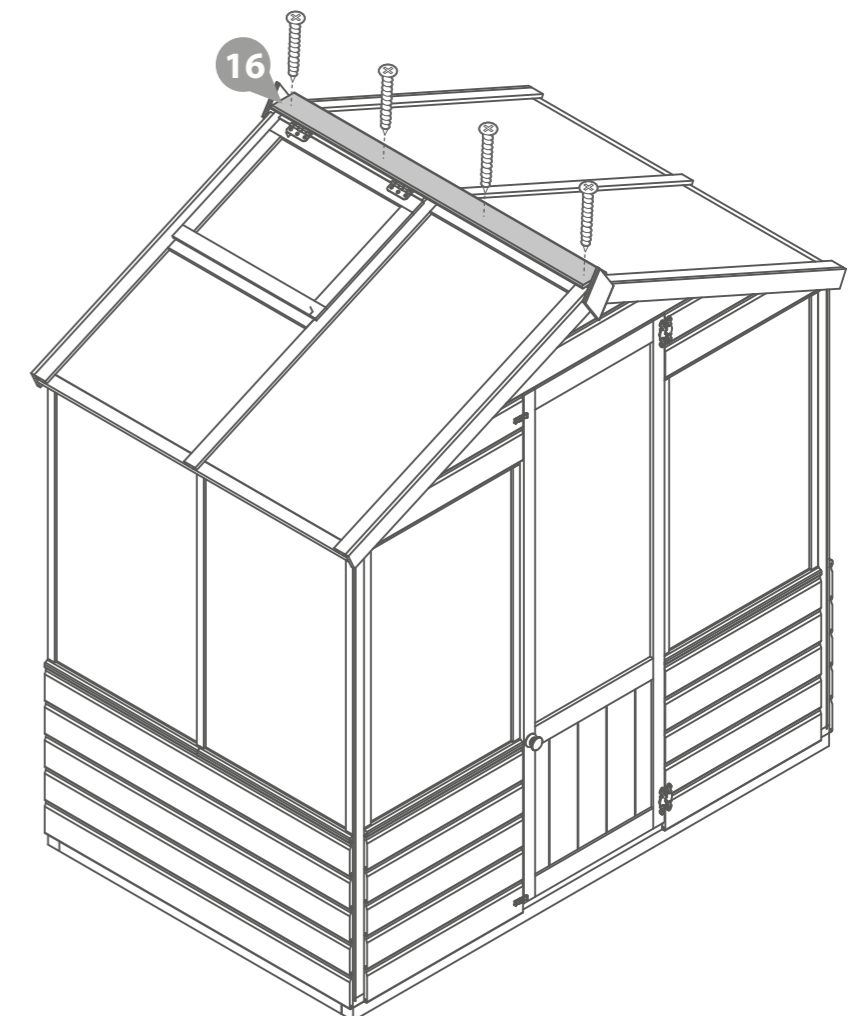
2x30mm Black Screws.



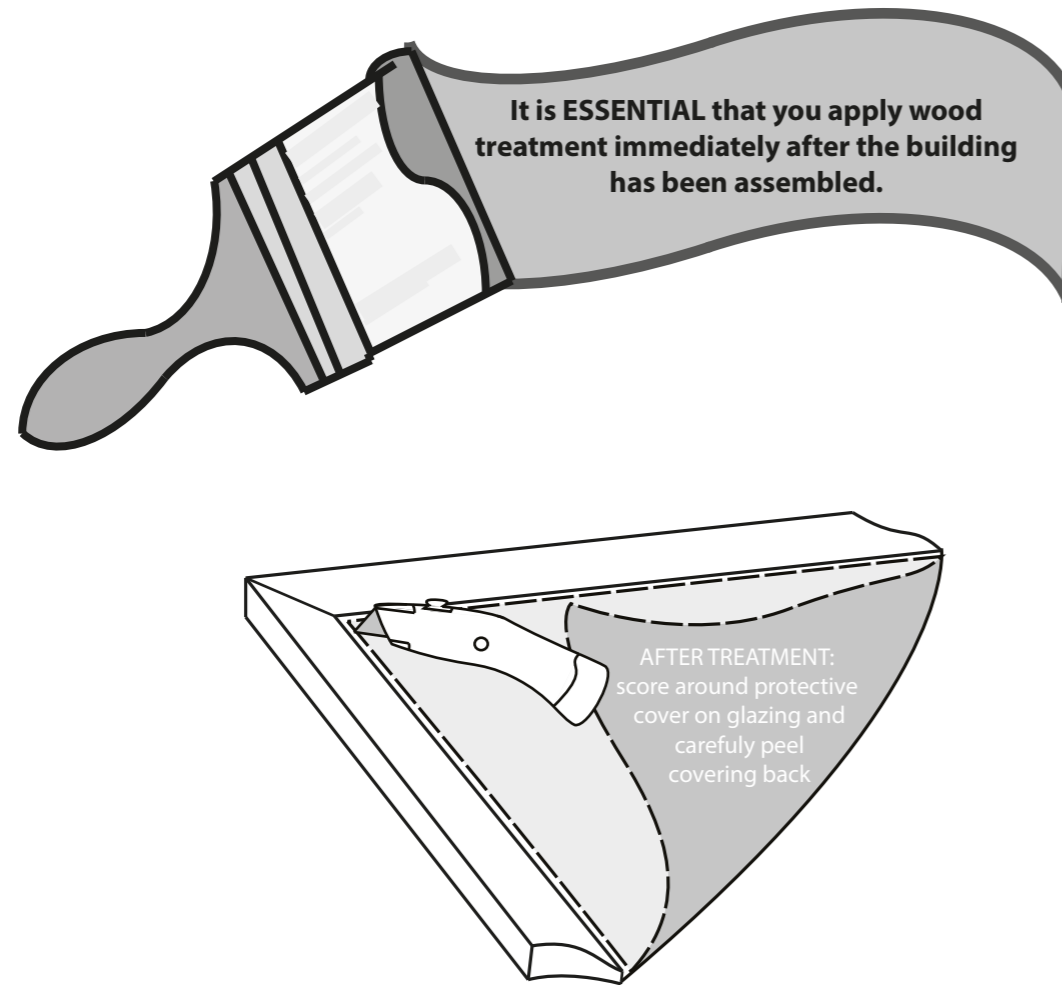
Step 15

Fix the Roof trim (**No. 16**) to the top of the building and secure with 4x30mm screws as shown.

4x30mm Screws



Step 16



Step 17

It is **ESSENTIAL** to seal around all window framing with silicone sealant (**not included**) to minimize water ingress.

**Please note: This image is for illustrative purpose and may differ from your product (in regards to the number of windows) however the principle is the same.*

