



La Hacienda

Murcia XL Chimenea

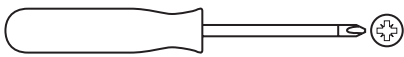
56063BUS

V1.0

User Instructions - Please keep for future reference



Tools required (not included)



IMPORTANT – Carefully remove any packaging before use, but retain the safety instructions.

These instructions form part of the product.

Please take note of all of the safety warnings listed in these instructions.

Please read these instructions in their entirety and retain them for future reference.

These instructions should be stored with the product.

This product is for domestic use **ONLY** and should not be used commercially or for contract purposes.

Produced in China for La Hacienda UK Ltd
Hangar 27, Site C, Aston Down Airfield, Nr Stroud, Glos, GL6 8HR, UK
www.lahacienda.co.uk

Care and safe use guidelines



DANGER Plastic bags can cause suffocation. Dispose of all packaging materials properly.



DANGER Failure to read and observe all warnings, directions for use and extinguishing may result in unsafe conditions leading to damage to property, injury or death.



This product is intended **FOR OUTDOOR USE ONLY**



WARNING: This product **MUST NOT** be used with the lid on.



ALWAYS keep children and pets at a safe distance from the chimenea when in use. Do not allow children to use the product.



NEVER leave a burning fire unattended.



DANGER of carbon monoxide poisoning - **NEVER** light this product or let it smoulder or cool down in confined spaces.



DO NOT use this product in a tent, caravan, car, cellar, loft or on a boat.



DO NOT use this chimenea under any outdoor awnings, parasols, sun umbrellas or gazebos.



FIRE HAZARD – Hot embers may emit while in use. Always keep fire suppression tools nearby.



DO NOT use gasoline, kerosene, white spirit, lighter fluid, alcohol or other similar chemicals for lighting or re-lighting the fire.



ONLY use methods of ignition which are acceptable in accordance with your local fire safety codes.



This product is **ONLY** suitable for use with untreated wood, logs or charcoal.



DO NOT use coal in this product.



DO NOT use this chimenea on decking or any other flammable surfaces such as dry grass, wood chips, leaves or decorative bark.



Ensure chimenea has a minimum of 7ft overhead clearance and has a minimum of 7ft clearance from any combustible materials or items.



DO NOT use this chimenea as a furnace - **ONLY** use as a patio heater.



DO NOT handle or move the chimenea whilst alight as it will be hot.



ALWAYS USE the safety tool provided and heat resistant gloves to open the door when in use as the door will be hot.



Ensure that the chimenea is positioned on a permanent flat, stable, heat resistant non-flammable surface away from flammable items.



The assembled product is heavy and once positioned must not be moved whilst in use. If it is necessary to move it once cooled, use two persons to lift (**DO NOT** drag) the product.



The unit may be left outside all year if a chimenea cover is used to help protect it from bad weather.



As this model is made from steel, the surface will age and develop surface rust as soon as it is exposed to the natural weather elements and also from first use.



To help reduce surface rust, on chimenea is cool rub it with an oil rag (vegetable oil).



If the chimenea surface becomes scratched or chipped, the damaged area should be re-coated with a suitable non-toxic high temperature paint.



For safety reasons, always inspect your chimenea prior to use for signs of fatigue and damage and replace your model as and when necessary.



A chimenea lid should be used to protect the interior from rain water ingress when not in use.



Ensure the lid is removed prior to use.

Care and safe use guidelines



DO NOT use alcohol, intoxicants, narcotics or any form of non-prescription drug when handling the product as the ability to safely assemble and operate will be impaired.



NEVER touch the ground/surface or leave fuel or other objects directly under this product, as the ground/surface will be very hot and may remain so for some time even after the product has been extinguished.



Always use heat resistant gloves during use and when adding fuel.



To extinguish unit – stop adding fuel and allow fire to die or douse with sand.



Always use the safety tool provided and heat resistant gloves when handling the mesh door.



DO NOT use water as this may damage the chimenea.



DO NOT overload the unit with fuel, only one or two small logs is sufficient. If the flames/fire emits from the front opening or the chimney there is too much fuel in the unit.



If using an outdoor cover, only position once the fire has died and the unit has completely cooled.



Once the fire is alight close the safety door. Only open the door to re-fuel.



Use care when working near fire, do not stand over fire when lighting or during use, loose clothing can catch fire easily. If clothing catches fire always remember to stop, drop and roll.

LIGHTING & REFUELLING

- Ensure the lid is removed prior to use.
- This product is **ONLY** suitable for use with charcoal, untreated wood or logs.
- Prepare a stack of loosely crumpled newspaper and place on top of the fuel grate.
- Pile finely split dry firewood or kindling on top of the paper.
- To light the newspaper, use long safety matches or a long nosed lighter.
- Once sufficiently alight, add logs or larger pieces of untreated wood to the unit to increase the heat slowly.
- **DO NOT** overload with fuel, only one or two logs is sufficient.
- **ALWAYS** use heat resistant gloves when adding fuel and repositioning the door as the unit will become very hot.
- **ALWAYS** ensure that the door is closed when in use. Always use the safety tool to open and close the door.
- **ALWAYS** ensure that fuel does **NOT** protrude from the front opening of the product.

COOKING ON YOUR GRILL

- When cooking on your grill, ensure that the food is cooked thoroughly prior to consumption.
- Add 0.5 kg of charcoal on top of the fuel grate and light according to the instructions.
- It is recommended that the unit is heated up and the fuel kept red hot for at least 30 minutes prior to first cooking on the unit.
- Using heat resistant gloves, place the grill into the product ensuring it is stable.
- If refuelling is required, **ALWAYS** use heat resistant gloves to remove the grill as this will be very hot.
- When finished **DO NOT** remove the grill until the unit has completely cooled.

FOOD COOKING INFORMATION

- **DO NOT** cook before the fuel has a coating of ash.
- **ALWAYS** wash your hands before and after handling uncooked meat and before eating.
- **ALWAYS** keep raw meat away from cooked meat and other foods.
- Before cooking ensure grill surfaces and tools are clean and free of old food residues.
- **DO NOT** use the same utensils to handle cooked and uncooked foods.
- Ensure all meat is cooked thoroughly before eating.
- **CAUTION** – eating raw or under cooked meat can cause food poisoning (e.g. bacteria strains such as E.coli).
- To reduce the risk of under cooked meat cut open to ensure it is cooked all the way through.
- **CAUTION** – if meat has been cooked sufficiently the meat juices should be clear and there should be no traces of pink/red juice or meat colouring.
- Pre-cooking larger pieces of meat and joints is recommended before finally cooking on your grill.
- After cooking **ALWAYS** clean the grill cooking surfaces and utensils.

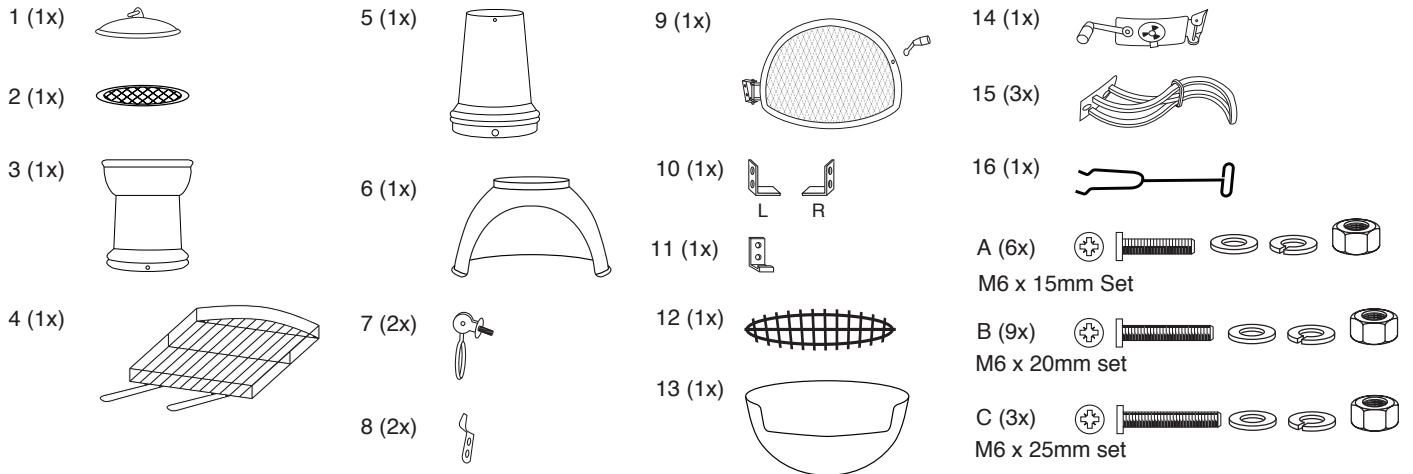
EXTINGUISHING

- To extinguish, stop adding fuel and allow fire to die or douse with sand. **DO NOT** use water as this may damage the product.

STORAGE

- When not in use, and if stored outside, cover the product once it has cooled completely with a chimenea cover.
- Remove loose paint and rust with a wire brush when needed and re-paint the product using high temperature paint.

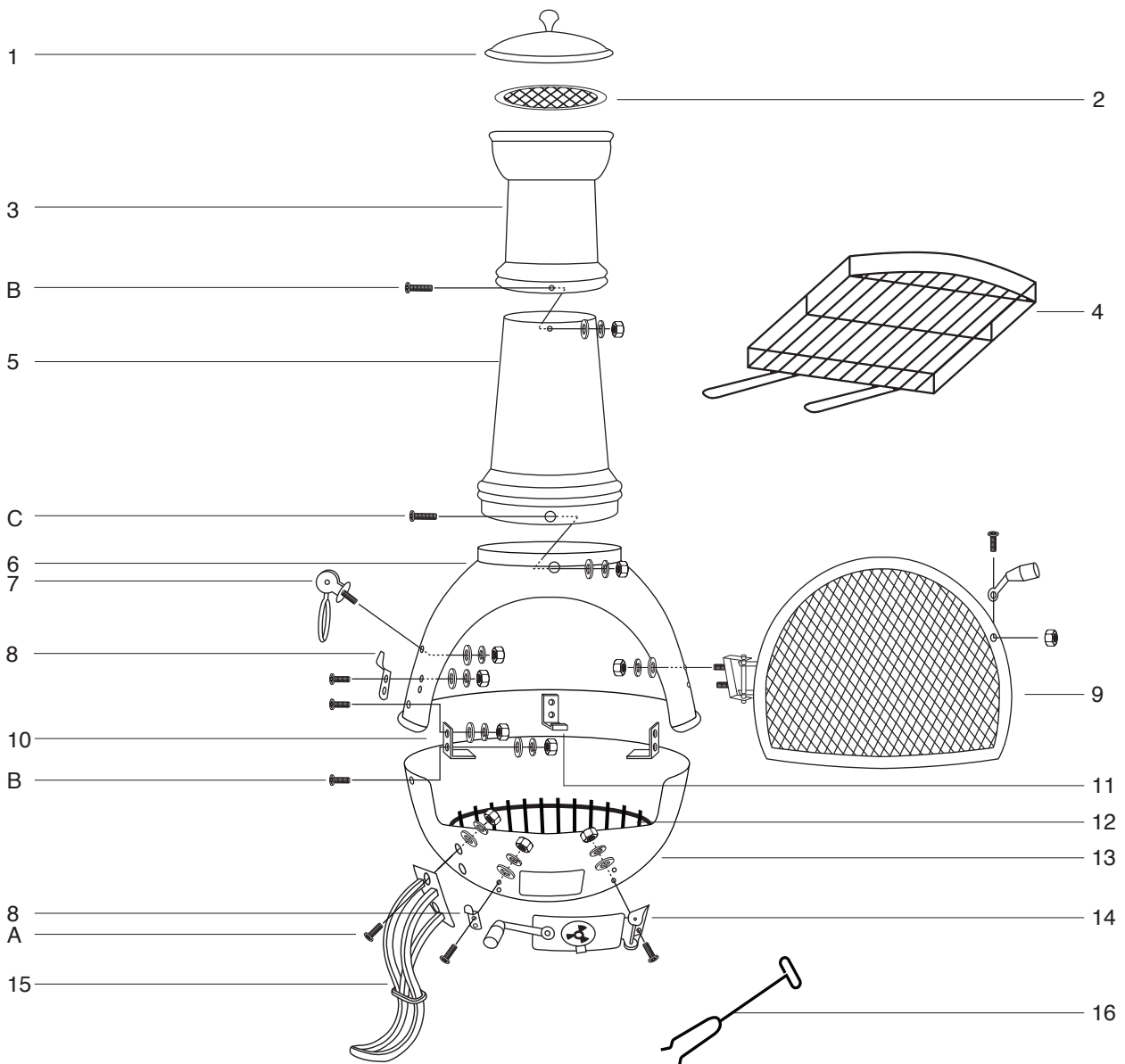
Parts list



Prior to assembly, read the instructions carefully. Check all parts against the parts list. Carry out assembly on a soft surface to avoid scratching the paint. Please retain this information for future reference. For ease of assembly only loosely tighten bolts and then tighten fully when assembly is complete.

WARNING - DO NOT over tighten bolts; only tighten with moderate pressure to avoid damaging the bolts or components of the product.

Assembly diagram



Assembly Instructions

IMPORTANT - Remove any packaging before use, but retain the safety instructions and store them with this product.

ASSEMBLY

STEP 1 - Attach the 3 legs (15) to the bottom bowl (13), using 2 sets of M6 x 15mm bolts, washers and nuts (A) per leg.

STEP 2 - Attach the top bowl (6) to bottom bowl (13) using bowl/grill brackets (10 & 11). Use 2 sets of M6 20mm bolts, washers and nuts (B) per bracket. Make sure the brackets are positioned correctly as these are also used to support the grill. The longest edge of the side brackets (10) need to face towards the front of the chimenea.

STEP 3 - Attach flue (5) to top bowl (6) using 3 sets of M6 x 25mm bolts, washers and nuts (C). Push all screws through the holes fully before tightening.

STEP 4 - Attach top flue (3) to the bottom flue (5) using 3 sets of M6 x 20mm bolts, washer and nuts (B). Attach air vent latch (8) to left side of bottom bowl (13) vent opening using bolts attached.

STEP 5 - Attach door latch (8) to left side of top bowl opening using bolts attached.

STEP 6 - Attach carry handles (7) to the side of top bowl (6) using pre-attached bolts, washers and nuts.

STEP 7 - Attach the door handle to the door using pre-attached nut and bolt. Attach the mesh safety door (9) to right side of top bowl using bolts attached.

Note: A little pressure on the door handle may be needed to locate this within the door latch. This secure fitting is to ensure the door can not accidentally be opened during use.

STEP 8 - Attach air vent (14) to right side of bottom bowl (13) using bolts attached.

STEP 9 - Place log grate (12) into base of chimenea.

STEP 10 - To use slide in grill (4), first attach grill handles to the grill by locating the handle ends onto the bars at the front of the grill. We recommend squeezing the handles first to ensure a good fit. The grill can now slide onto the chimenea on the left and right brackets (10) and slot over the rear bracket (11) to secure it.

STEP 11 - Place flue spark guard (2) and rain lid (1) on flue (note rain lid to be removed when in use).

The product is now ready to use but please ensure you have read these instructions thoroughly prior to use.



WARNING Do not leave the unit unattended while the fire is burning.



Note A large fire can damage or shorten the life of the unit.



Note Check the product for any signs of damage or disrepair before each use.



Note The unit is manufactured with high temperature paint. However, due to the nature of steel, some rusting can occur. This is not a cause for concern and will not affect the performance of your chimenea.



Note Follow all local, state and national codes when using this unit. Contact your local fire department for information on outdoor burning.