

BUSH

Instruction manual

Built-In Combi Fridge-Freezer

BIFF5050





You'll soon be enjoying your new Built-In Combi Fridge-Freezer. It all begins here, with your instructions. Don't worry, there's nothing too technical coming up. Just simple, step-by-step guidance to get you up and running quickly. Sound good? Then let's get started.

Help and Guidance

We're here to help you get the most from your Built-In Combi Fridge-Freezer. Should you require any guidance, a simple solution can often be found online at:

www.argos-support.co.uk

If you still require further assistance, call one of our experts on 0345 257 7271.

If you require any technical guidance or find that your product is not operating as intended, a simple solution can often be found in the **Troubleshooting** section of these instructions,

Contents

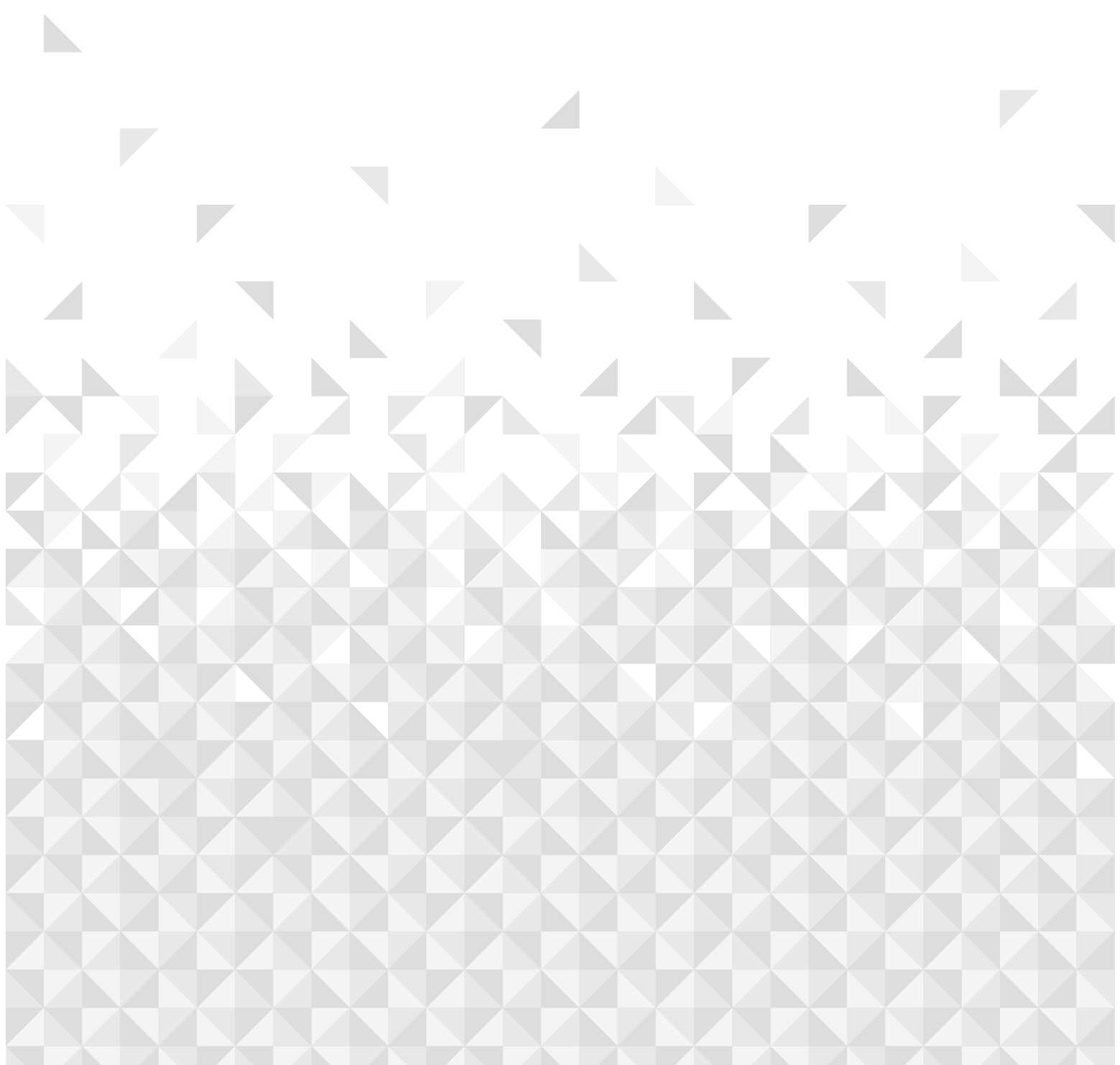
1	Safety information	5
	General warnings	6
	Safety warnings	7
2	Getting to know your Built-In Combi Fridge - Freezer	9
3	Installing your Built-In Combi Fridge - Freezer	13
	Installing and Operating Your Fridge - Freezer	14
	Before Using Your Fridge - Freezer	14
	Shipment and Repositioning	14
	Electrical Connection (For UK type plug)	15
	Installation	16
4	Functions	23
	Information about the New Generation Cooling Technology	24
	Thermostat setting	25
	Warnings about Temperature Adjustments	25
5	Using your Built-In Combi Fridge - Freezer	27
	Arranging Food in the Appliance	28
	Tips for Saving Energy	29
	Accessories	29
6	Care and maintenance	31
	Cleaning and maintenance	32
	Defrosting	32
	Replacing the LED	32
	Technical specification	33
7	Product support	35
	Help and assistance	37
	Disposal	38
	Guarantee	39



If you require any technical guidance or find that your product is not operating as intended, a simple solution can often be found in the **Troubleshooting** section of these instructions,

Safety information

1





Safety information

Important - Please read these instructions fully before installing or operating

General warnings

WARNING: Keep ventilation openings, in the appliance enclosure or in the built-in structure, clear of obstruction.

WARNING: Do not use mechanical devices or other means to accelerate the defrosting process, other than those recommended by the manufacturer.

WARNING: Do not use electrical appliances inside the food storage compartments of the appliance, unless they are of the type recommended by the manufacturer.

WARNING: Do not damage the refrigerant circuit.

WARNING: To avoid a hazard due to the instability of the appliance, it must be fixed in accordance with the instructions.

- If your appliance uses R600a as a refrigerant – you can learn this information from the label on the cooler- you should be careful during shipment and installation to prevent your appliance's cooler elements from being damaged. Although R600a is an environmentally friendly and natural gas. As it is explosive, in the event of a leak due to damage to the cooler elements, move your fridge from open flame or heat sources and ventilate the room where the appliance is located for a few minutes.
- While carrying and positioning the fridge - freezer, do not damage the cooler gas circuit.
- Do not store explosive substances such as aerosol cans with a flammable propellant in this appliance.
- This appliance is intended to be used in household and similar applications such as;
 - staff kitchen areas in shops, offices and other working environments
 - farm houses and by clients in hotels, motels and other residential type environments
 - bed and breakfast type environments
 - catering and similar non-retail applications
- If the socket does not match the fridge - freezer plug, it must be replaced by the manufacturer, its service agent or similarly qualified persons in order to avoid a hazard.
- A specially grounded plug has been connected to the power cable of your fridge - freezer. This plug should be used with a specially grounded socket of 16 amperes. If there is no such socket in your house, please have it installed by an authorized electrician.
- This appliance can be used by children aged from 8 years and above and persons with reduced physical, sensory or mental capabilities or lack of experience and knowledge if they have been given supervision or instruction concerning use of the appliance in a safe way and understand the hazard involved. Children shall not play with the appliance. Cleaning and user maintenance, shall not be made by children without supervision.
- If the supply cord is damaged, it must be replaced by the manufacturer, its service agent or similar qualified persons in order to avoid a hazard.
- This appliance is not intended for use at altitudes exceeding 2000 m.

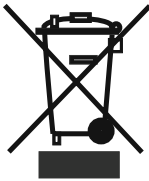


Safety information

Important - Please read these instructions fully before installing or operating

Old and out-of-order fridges and/or freezers

- If your old fridge and/or freezer has a lock, break or remove the lock before discarding it, because children may get trapped inside it and may cause an accident.
- Old fridges and freezers may contain isolation material and refrigerant with CFC or HFC. Therefore, take care not to harm environment when you are discarding your old fridges.



Please ask your municipal authority about the disposal of the WEEE for the reuse, recycle and recovery purposes.

Notes:

- Please read the instruction manual carefully before installing and using your appliance. We are not responsible for the damage occurred due to misuse.
- Follow all instructions on your appliance and instruction manual, and keep this manual in a safe place to resolve the problems that may occur in the future.
- This appliance is produced to be used in homes and it can only be used in domestic environments and for the specified purposes. It is not suitable for commercial or common use. Such use will cause the guarantee of the appliance to be cancelled and our company will not be responsible for the losses to be occurred.
- This appliance is produced to be used in houses and it is only suitable for cooling / storing foods. It is not suitable for commercial or common use and/or for storing substances except for food. Our company is not responsible for the losses to be occurred in the contrary case.

Safety warnings

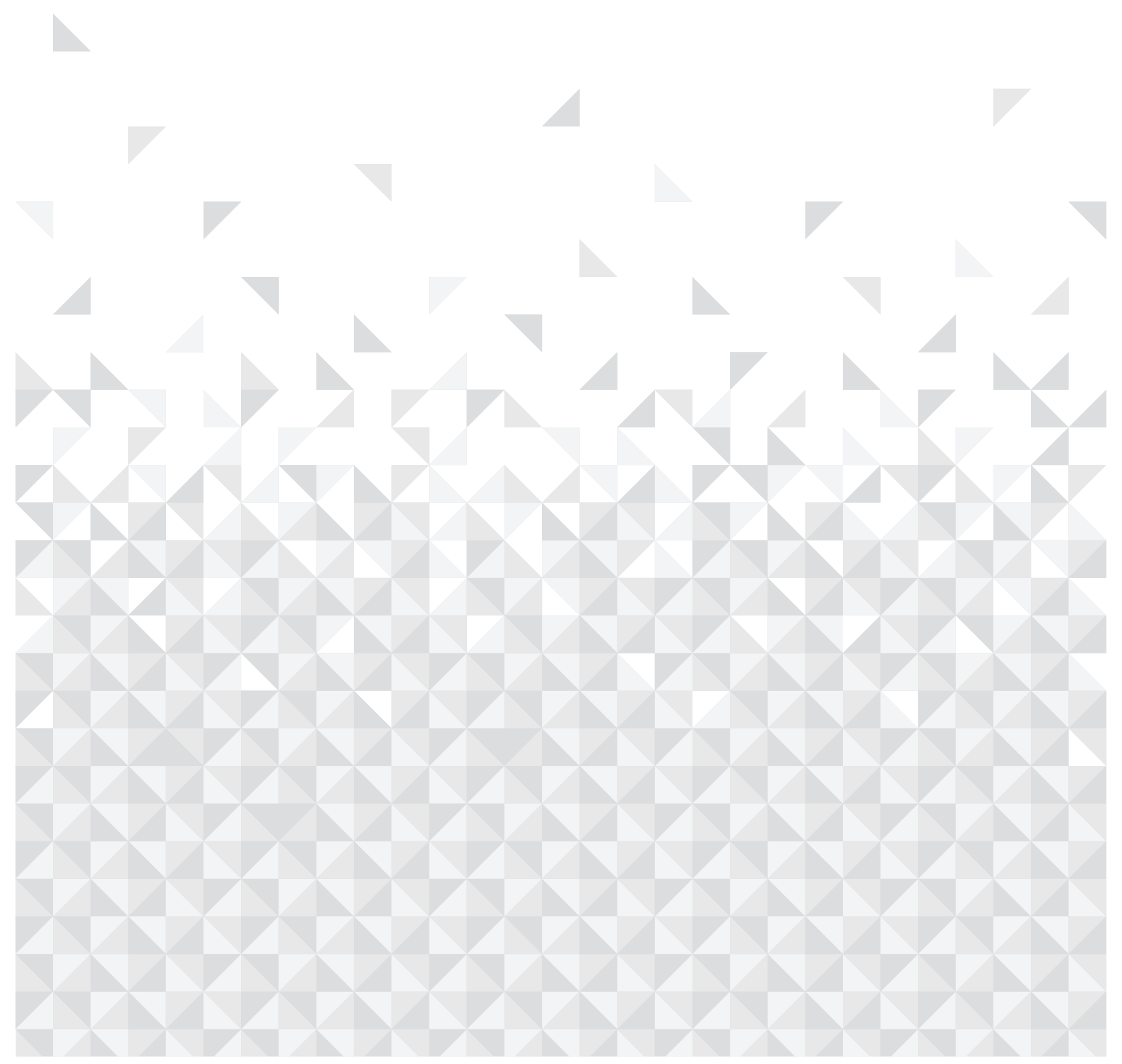
- Do not use multiple receptacles or extension cord.
- Do not plug in damaged, torn or old plugs.
- Do not pull, bend or damage the cord.
- This appliance is designed for use by adults, do not allow children to play with the appliance or let them hang off the door.
- **Do not unplug or plug in the appliance with wet hands!**
- Do not place glass bottles or beverage cans in the freezer department. Bottles or cans may explode.
- Do not place explosive or flammable material in your fridge - freezer for your safety. Place drinks with higher alcohol amount vertically and by closing their necks tightly in the fridge department.
- When taking ice made in the freezer department, do not touch it, ice may cause ice burns and/or cuts.
- Do not touch frozen goods with wet hands! Do not eat ice-cream and ice cubes immediately after you have taken them out of the freezer department!
- Do not re-freeze frozen goods after they have melted. This may cause health issues like food poisoning.
- **Do not cover the main body or top of the appliance with any material. This will affect the performance of your appliance**
- Fix the accessories in the fridge - freezer during transportation to prevent damage to accessories.



If you require any technical guidance or find that your product is not operating as intended, a simple solution can often be found in the **Troubleshooting** section of these instructions,

Getting to know your Built-In Combi
Fridge - Freezer

2



Getting to know your Built-In Combi Fridge-Freezer

You'll be up and running in no time

Ready? Let's begin...

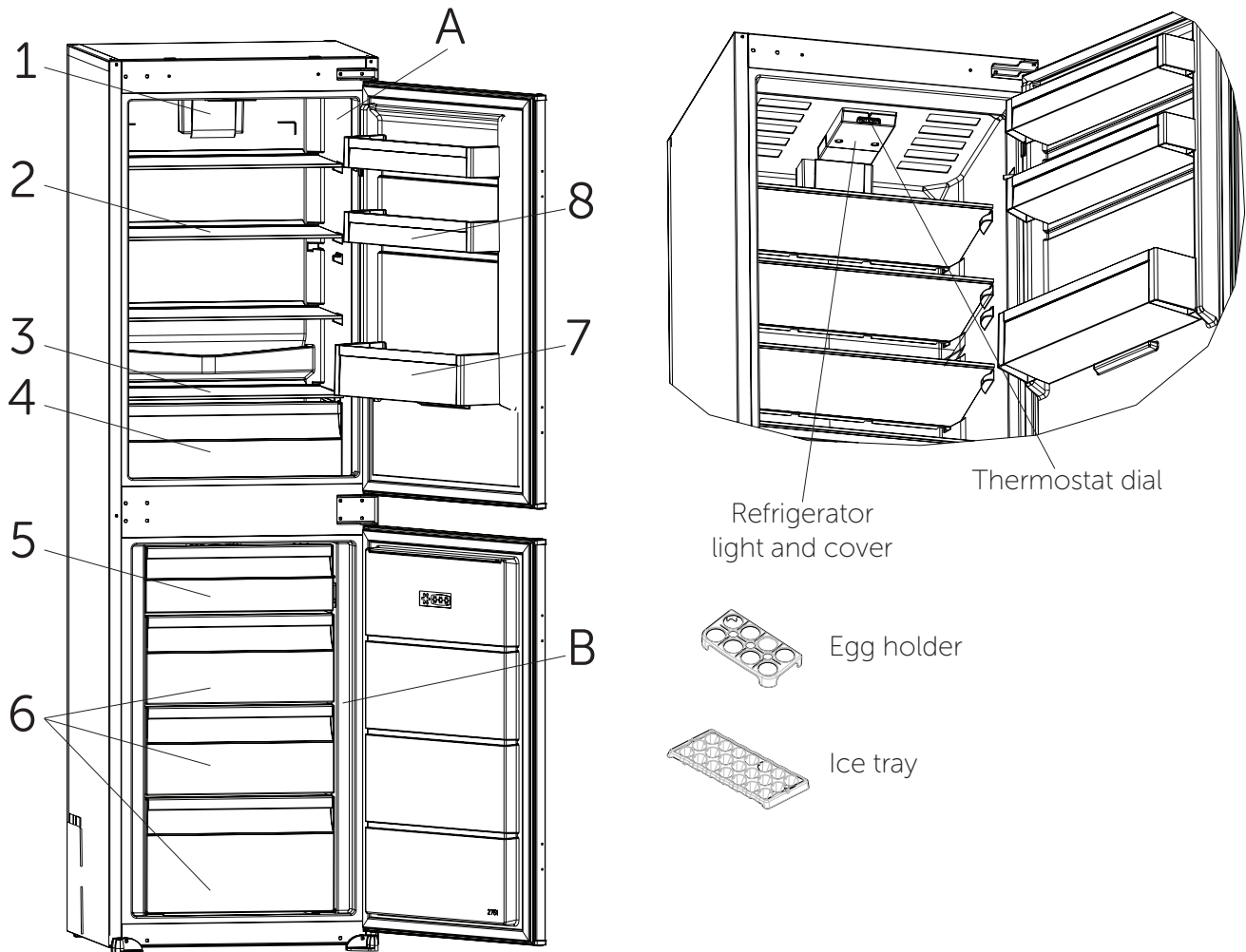
Please read these instructions carefully. They contain important information which will help you get the best from your Built-In Combi Fridge Freezer and ensure safe

and correct installation and operation.

If you require any further assistance, our technical experts are happy to help. For full details, refer to the product support section at the end of these instructions.

Getting to know your Built-In Combi Fridge-Freezer

You'll be up and running in no time



A) Refrigerator compartment

B) Freezer compartment

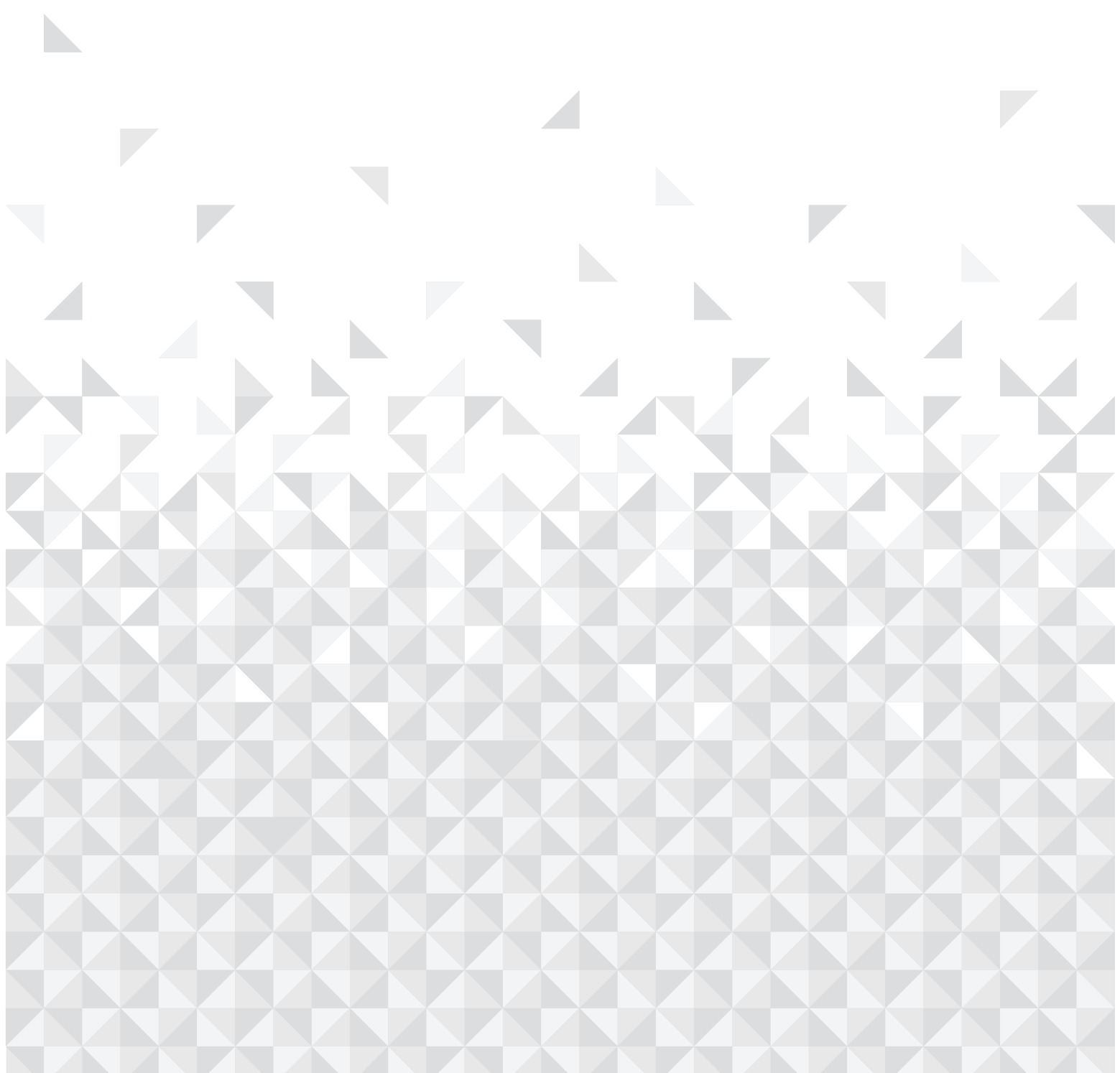
- 1) Turbo fan
- 2) Refrigerator shelves
- 3) Crisper cover
- 4) Crisper
- 5) Freezer room cover
- 6) Freezer baskets
- 7) Bottle shelf
- 8) Door shelves



If you require any technical guidance or find that your product is not operating as intended, a simple solution can often be found in the **Troubleshooting** section of these instructions,

Installing your Built-In Combi Fridge
- Freezer

3



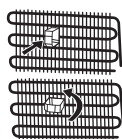
Installing your Built-In Combi Fridge - Freezer

Bringing it all together

Installing and Operating Your Fridge - Freezer

Before starting to use your fridge - freezer, you should pay attention to the following points:

- Operating voltage for your fridge - freezer is 220-240 V at 50Hz.
- We do not take the responsibility of the damages that occur due to ungrounded usage.
- Do not place your appliance in direct sunlight.
- Your appliance should be at least 50 cm away from stoves, gas ovens and heater cores, and should be at least 5 cm away from electrical ovens.
- Your fridge - freezer should never be used outdoors or left under the rain.
- When your fridge - freezer is placed next to a deep freezer, there should be at least 2 cm between them to prevent humidity on the outer surface.
- Do not place anything on your fridge - freezer, and install your fridge - freezer in a suitable place so that at least 15 cm is available on the upper side.
- The adjustable front legs should be stabilized in an appropriate height to allow your fridge - freezer to operate in a stable and proper way. You can adjust the legs by turning them clockwise (or in the opposite direction). This should be done before placing food in the fridge - freezer.
- Before using your fridge - freezer, wipe all parts with warm water added with a tea spoonful of sodium bicarbonate, and then rinse with clean water and dry. Place all parts after cleaning.
- Install the distance adjustment plastic (the part with black vanes at the rear) by turning it 90° as shown in the figure to prevent the condenser from touching the wall.
- Fridge - freezer should be placed against a wall with a free distance not exceeding 75 mm.



Before Using Your Fridge - Freezer

- Before switching on your appliance for the first time, ensure it is positioned in its desired final location and is in its upright position for at least 3 hours before plugging in and switching on the power. Otherwise you may damage the compressor.
- You may experience an odour from the appliance when it is operated for the first time. This is normal and will fade when your appliance starts to cool.

Shipment and Repositioning

- Original package and foam may be kept for retransportation (optionally).
- You should fasten your fridge - freezer with thick package bands or strong cords and follow the instructions for transportation on the package for retransportation.
- Remove movable parts (shelves, accessories, vegetable bins etc.) or fix them into the fridge - freezer against shocks using bands during repositioning and transportation.

Carry your fridge - freezer in the upright position.

Installing your Built-In Combi Fridge - Freezer

Bringing it all together

Electrical Connection (For UK type plug)

For your safety please read the following information

Warning: This appliance must be earthed.

This appliance operates from 220-240 volts and should be protected by a 13 amp fuse in the plug.

The appliance is supplied with a standard 13 amp 3-pin mains plug fitted with a 13-amp fuse.

Should the fuse require replacement, it must be replaced with a fuse rated at 13 amp and approved to BS1362.

If the mains plug which is fitted is unsuitable for the socket outlet in your home or is removed for any other reason, please follow the instructions below on how to wire a 13 amp 3 pin plug.

The wires in the mains lead on this appliance are coloured in accordance with the following code:

Green and Yellow – Earth

Blue – Neutral

Brown – Live

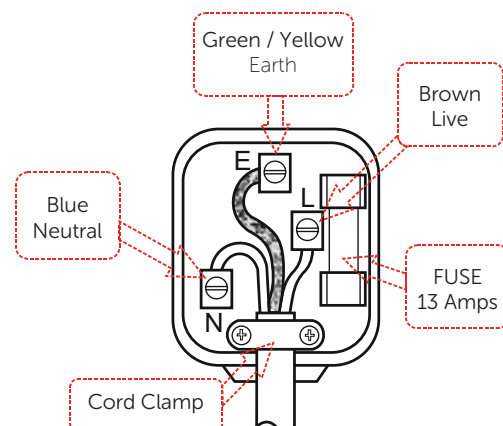
As the colours may not correspond with the markings identifying the terminals in your plug proceed as follows.

The green and yellow wire must be connected to the terminal in the plug which is marked with the letter E or with the earth symbol or coloured green and yellow.

The blue wire must be connected to the terminal marked N.

The brown wire must be connected to the terminal marked L.

You must make sure the lead is firmly secured under the cord clamp.



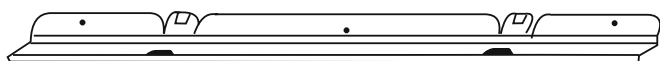
Installing your Built-In Combi Fridge - Freezer

Bringing it all together

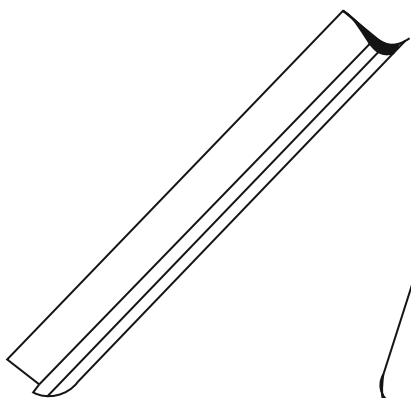
Installation

Installation kit contents

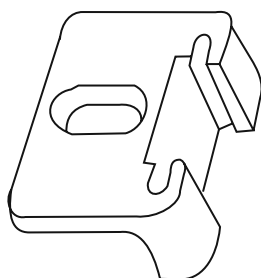
A. Trim flap



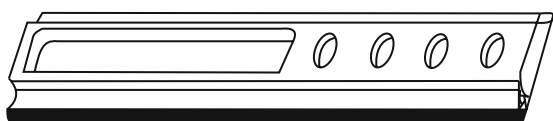
B. Trim gasket



C. Guide



D. Rail



E. 17mm screw

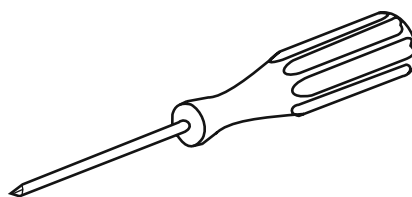


E. M4 17mm screw



Tools required

Philips screwdriver

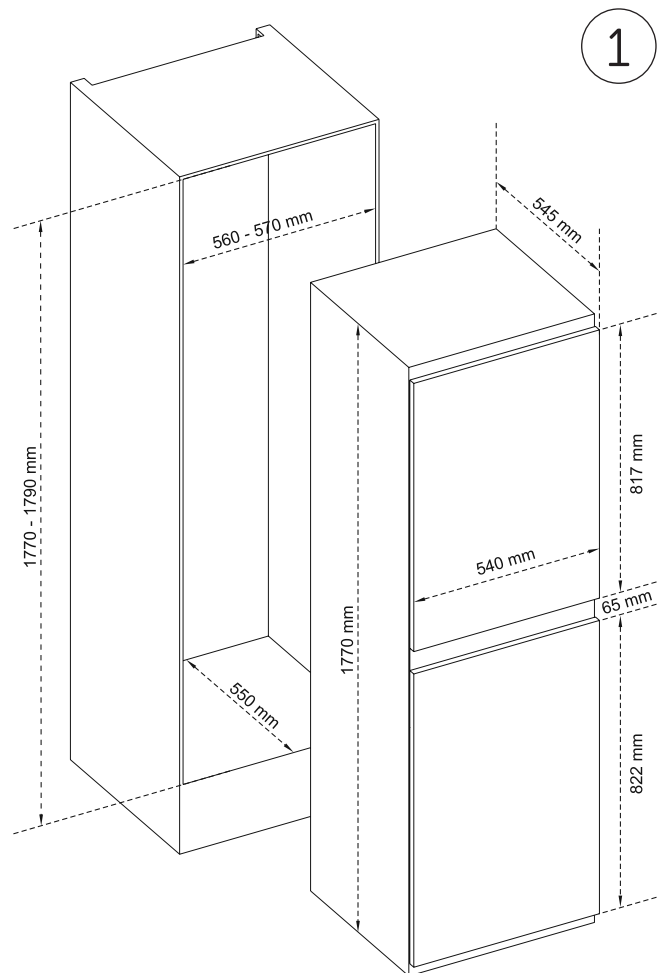


Installing your Built-In Combi Fridge - Freezer

Bringing it all together

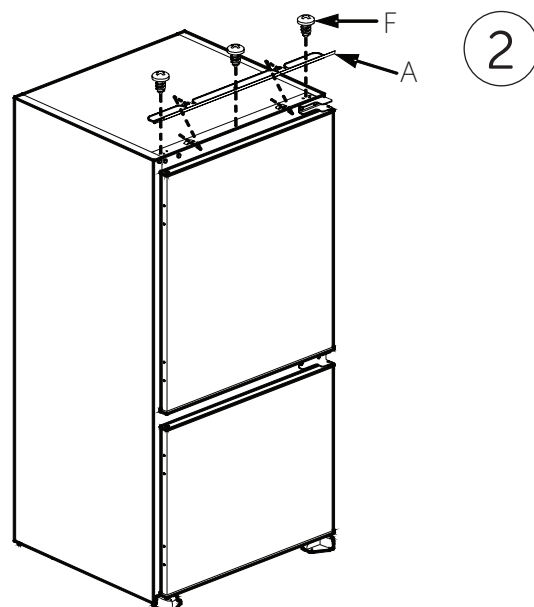
Tools required

- a: Check the installation dimensions according to (1). The position of the joint between the kitchen unit doors must be level with the position of the joint between the appliance doors.
- b: There can be an odour when you first switch on the appliance. It will disappear after the appliance starts to cool.



Installing trim flap

- a: Insert the trim flap (A) into the slot on the top of the appliance.
- b: Secure the trim flap (A) with screws (F).

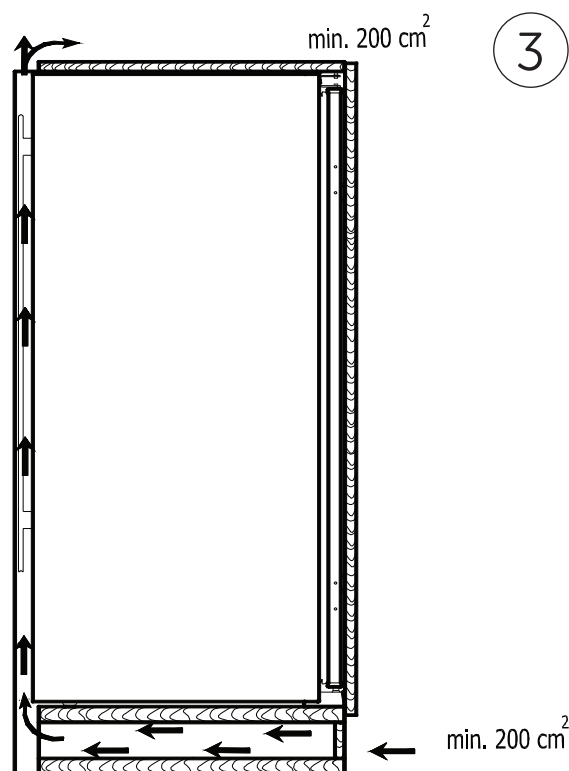


Installing your Built-In Combi Fridge - Freezer

Bringing it all together

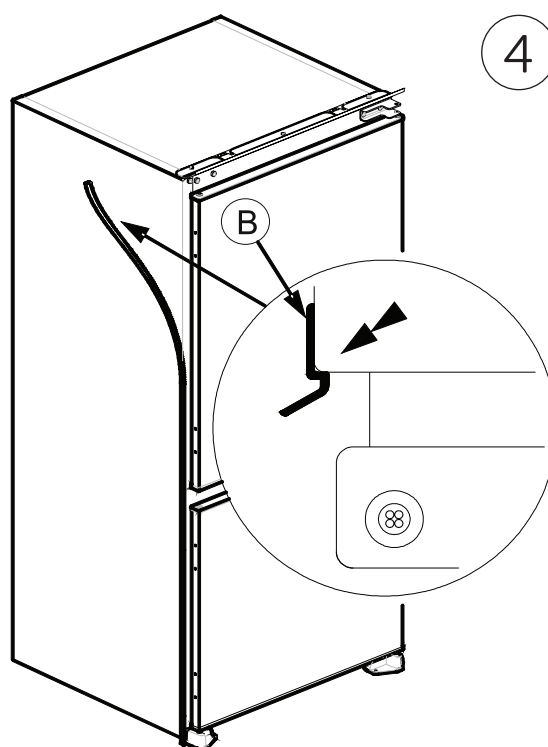
Routing the power cord

- a: Pass the power cord through the ventilation shaft, as shown in (3), and position it so that the appliance can be easily plugged in once it has been installed.



Installing the gasket

- a: Take out the trim gasket (B) located on the side of the appliance and stick it on the appliance on the opposite side to the door hinges.



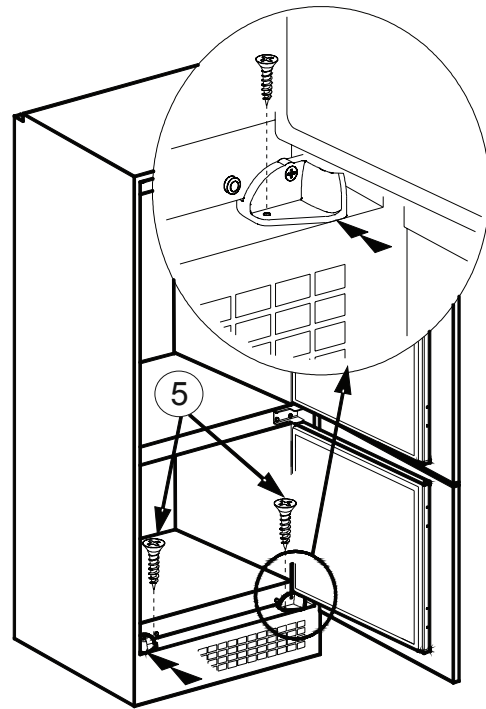
Installing your Built-In Combi Fridge - Freezer

Bringing it all together

Position the appliance

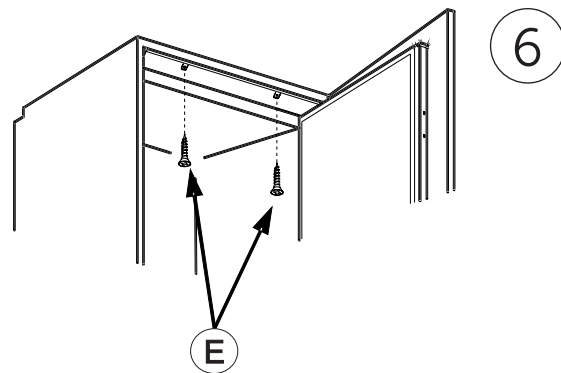
Caution: Two people are required to handle the appliance. It is recommended that gloves are worn.

- a: Carefully move the appliance into position into the kitchen unit.
- b: Push the appliance back to the reverse side of the door hinges, and make sure that the trim gasket (B) covers the space between the appliance and the kitchen unit.
- c: Align the front feet with the front surface of the kitchen unit.
- d: Screw the front feet with screws (E), as shown in (5).



Securing the appliance

- a: Secure the trim flap (A) to the kitchen unit using screws (E), as shown in (6).



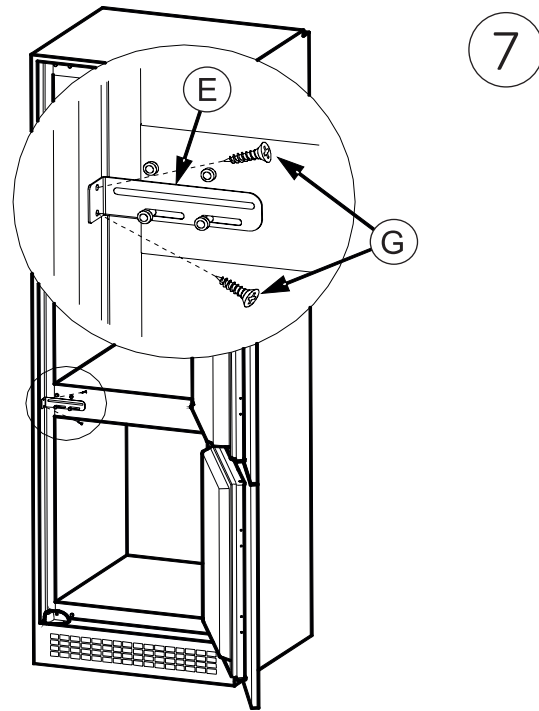
Continued on next page

Installing your Built-In Combi Fridge - Freezer

Bringing it all together

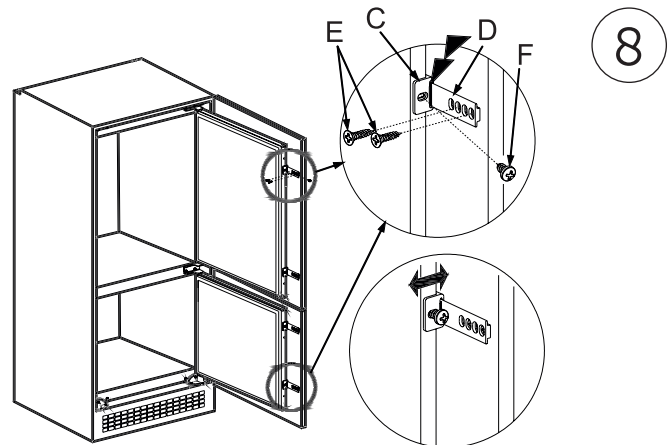
Securing the appliance

- b: Secure the fixing bracket (G) to the kitchen unit using screws (E), as shown in (7). Repeat for the opposite side.



Installing the doors

- a: Secure the guides (C) to the appliance doors using screws (E), as shown in (8).
- b: Open the appliance doors to right angles and position the unit door against the appliance door.
- c: Raise the rails (D) onto the guides (C) aligning with the groove.
- d: Secure the rails (D) to the unit doors using screws (E).
- e: Set a 1-2mm gap on the handle side between the unit itself and the unit doors by adjusting guides (C) and screws (F) as necessary.

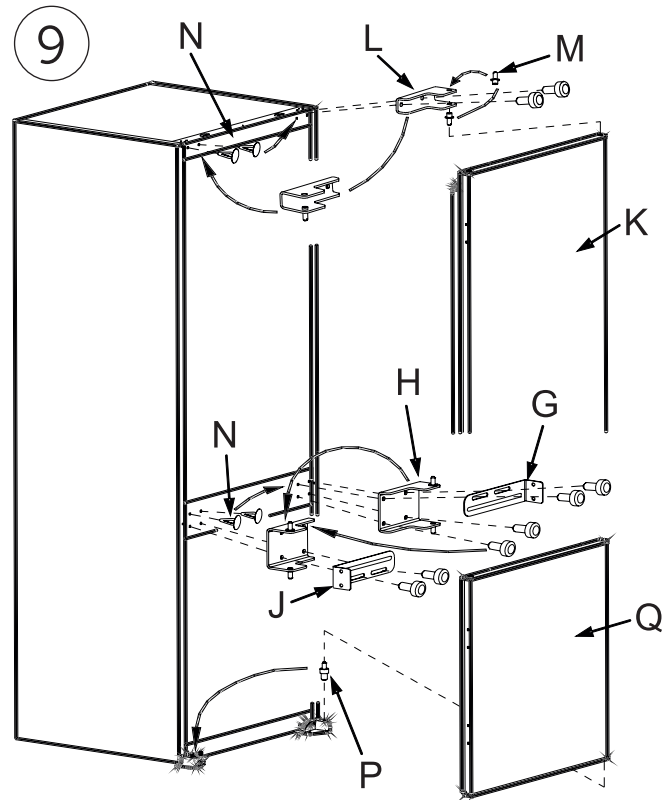


Installing your Built-In Combi Fridge - Freezer

Bringing it all together

Reversing the doors

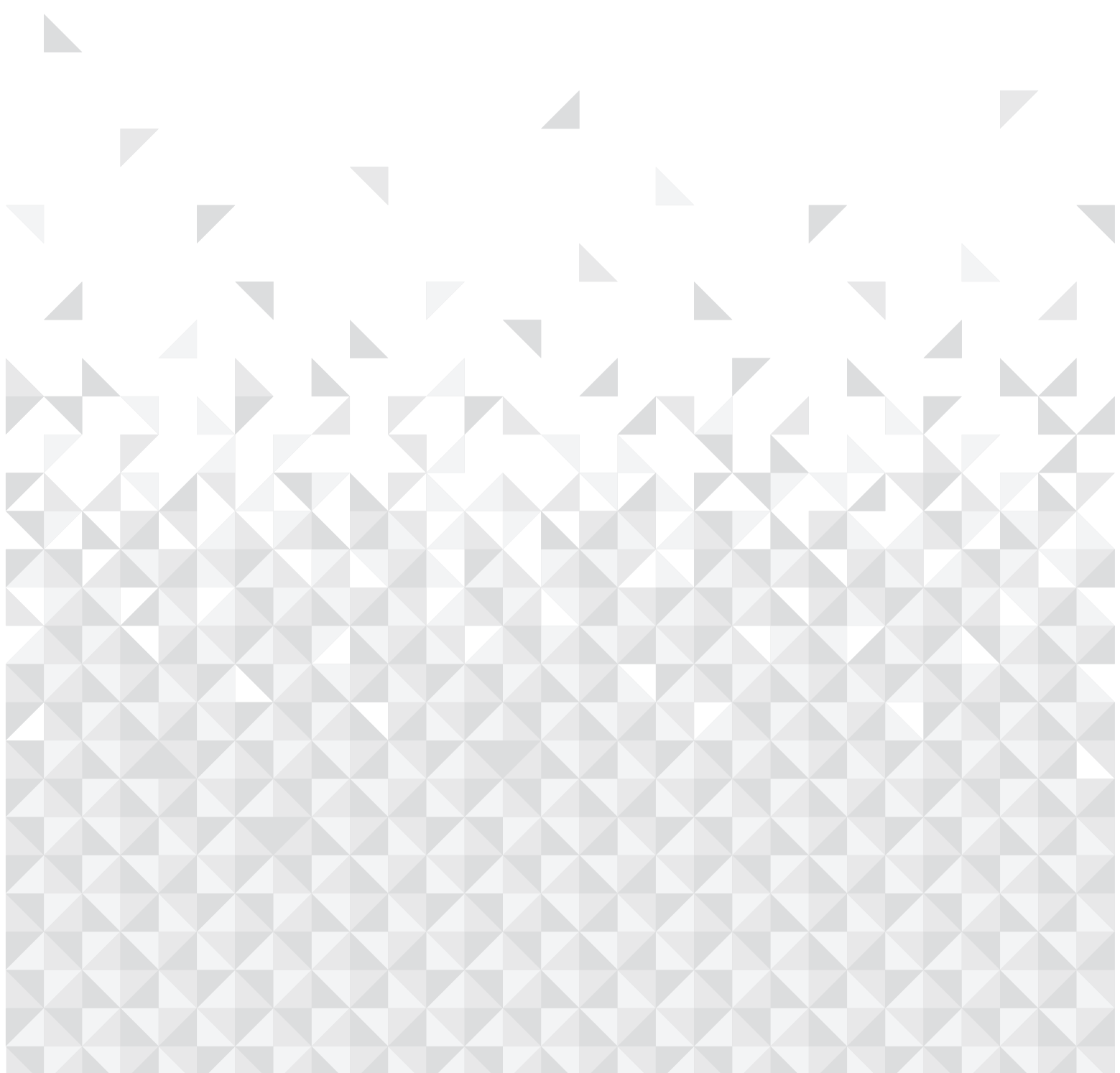
- a: Unscrew the upper door hinge (L) and move the upper door (K) to a safe location.
- b: Unscrew the door hinge pin (M) and firmly screw it into the opposite side. Keep in a safe location.
- c: Unscrew the middle door hinge (H) and move the lower door (Q) to a safe location.
- d: Screw back the fixing bracket (G) to the original position without the middle hinge (H).
- e: Install the door lower pin (P) on the opposite side.
- f: Move the hole plugs (N) to the empty holes on the opposite side.
- g: Position the lower door (Q) over the door lower pin (P) and close.
- h: Unscrew fixing bracket (J).
- i: Position the middle door hinge (H) onto the lower door (Q).
- j: Position the fixing bracket (N) onto the middle door hinge (H) and firmly screw together onto the appliance.
- k: Position the upper door (K) over the middle door hinge (H), and position the upper door hinge (L) over the upper door.
- l: Firmly screw the upper door hinge (L) onto the opposite side of its original position.





If you require any technical guidance or find that your product is not operating as intended, a simple solution can often be found in the **Troubleshooting** section of these instructions,

Functions 4



Functions

Simple everyday use

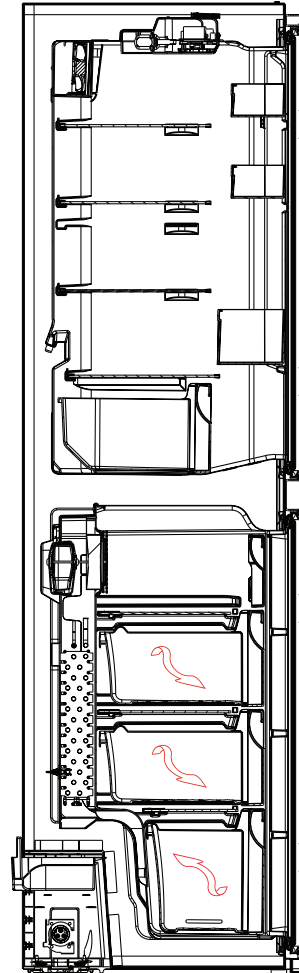
Information about the New Generation Cooling Technology

The New Generation Cooling Technology refrigerators are different from the other static refrigerators in terms of their operational system.

In normal fridge freezers, the humidity entering the fridge freezer due to opening the door and the humidity inherent in the food causes freezing in the freezer compartment. To defrost the frost and ice in the freezer compartment, you are periodically required to turn off the fridge, place the food that needs to be kept frozen in a separately cooled container and remove the ice gathered in the freezer compartment.

The situation is completely different in no-frost refrigerators. Dry and cold air is blown into the fridge and freezer compartments homogeneously and evenly from several points via a blower fan. Cold air dispersed homogeneously and evenly between the shelves cools all of your food equally and uniformly, thus preventing humidity and freezing.

Therefore your New Generation Cooling Technology fridge freezer allows you ease of use, in addition to its huge capacity and stylish appearance.



Functions

Simple everyday use

Thermostat setting

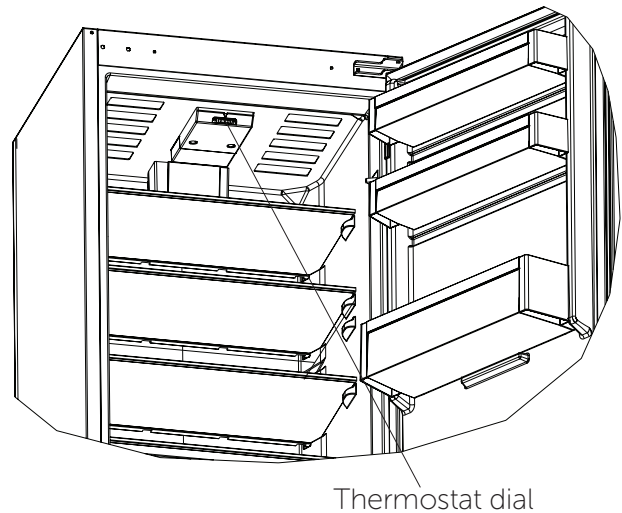
It ensures that the temperature settings in the cooling and freezing compartments of your refrigerator are performed automatically. It may be set to any value ranging from 1 to 5. As you turn the thermostat setting knob from 1 to 5, the temperature decreases. To save energy in winter months, operate your refrigerator in a lower position.

Fridge compartment thermostat knob;

4 - 5 : For further cooling.

2 - 3 : For normal use.

1 : For less cooling.



Warnings about Temperature Adjustments

- It is not recommended that you operate your fridge in environments colder than 10 °C in terms of its efficiency.
 - Temperature adjustments should be made according to the frequency of doors openings and the quantity of food kept inside the fridge-freezer.
 - Your fridge-freezer should be operated up to 24 hours according to the ambient temperature without interruption after being plugged in to be completely cooled. Do not open doors of your fridge-freezer frequently and do not place much food inside it in this period.
 - During power cut, to prevent any compressor problem you should unplug the fridge-freezer. You should delay plugging in 5 – 10 minutes after your power supply returns. If you plug out the fridge-freezer for a reason you should wait at least 5 min to replug. It is important for avoiding damage to fridge-freezer's components.
 - Your fridge-freezer is designed to operate in the ambient temperature intervals according to the climate class stated on the information label. In terms of cooling effectiveness, we do not recommend operating your fridge-freezer outside of the stated temperature values.
- This equipment is designed for use at an ambient temperature within the 16°C - 38°C range.

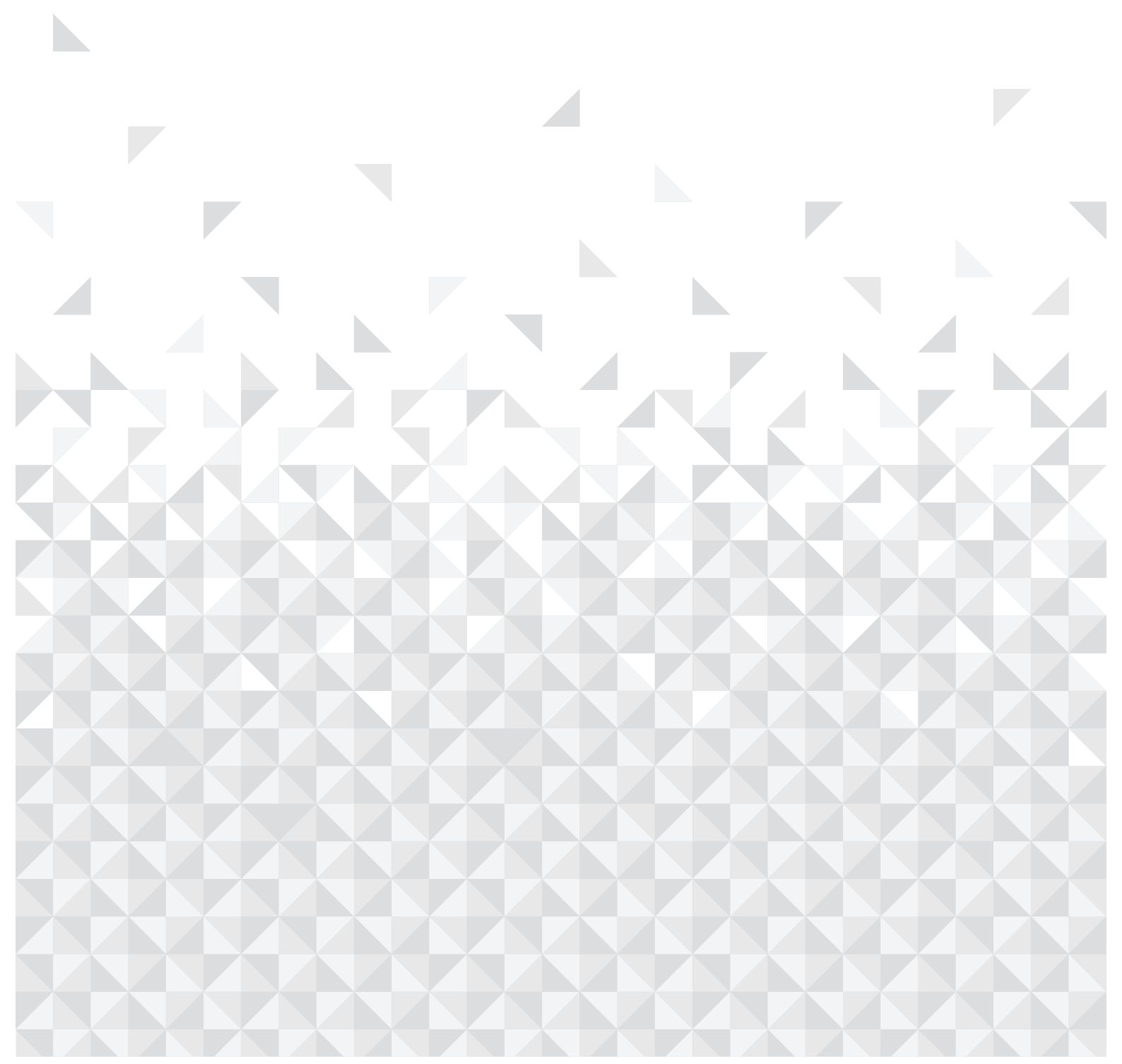
Climate Class	Ambient Temperature °C
T	Between 16 and 43 (°C)
ST	Between 16 and 38 (°C)
N	Between 16 and 32 (°C)
SN	Between 10 and 32 (°C)



If you require any technical guidance or find that your product is not operating as intended, a simple solution can often be found in the **Troubleshooting** section of these instructions,

Using your Built-In Combi Fridge -
Freezer

5



Using your Built-In Combi Fridge-Freezer

Getting the most from your appliance

Arranging Food in the Appliance

Food storage in the fridge compartment

- The fridge compartment is used for storing fresh food for a few days.
- **Do not** place food in direct contact with the rear wall of the refrigerator compartment. Leave some space around food to allow for the circulation of air.
- **Do not** place hot food or evaporating liquids in the refrigerator.
- Always store food in closed containers or wrapped.
- To reduce humidity and avoid the formation of frost, never place liquids in unsealed containers in the refrigerator.
- Meat of all types, wrapped in packages, is recommended to be placed on the glass shelf just above the vegetable bin, where the air is colder.
- You can put fruits and vegetables into the crisper without packaging.
- To prevent cold air escaping, try not to open the refrigerator door too often, and do not leave the door open for long periods.

Food storage in the freezer compartment

- Please use the deep freeze compartment of your refrigerator for storing frozen food for a long time and producing ice.
- For freezing fresh food; wrap and seal fresh food properly - the packaging should be airtight and should not leak. Special freezer bags, aluminium foil (heavy grade; if in doubt double-wrap), polythene bags, and plastic containers are ideal.
- **Do not** allow fresh food to be frozen to come into contact with already frozen food.
- Always mark the date and the content on the pack and do not exceed the stated storage time.
- In case of a power failure or malfunction, the freezer compartment will maintain a sufficiently low temperature for food storage.

However, avoid opening the freezer door in order to slow down the temperature rise within the freezer compartment.

- Please place the food you would like to freeze initially in the upper basket of the deep freeze in such a way that it does not exceed the declared freezing capacity of your refrigerator. Please do not place the food to be frozen near the already frozen food. You may place your food next to the other frozen food after it has frozen (for at least 24 hours).
- The maximum amount of fresh foods that can be loaded in the freezer within 24 hours is indicated on the name plate (see **Freezing Capacity**).
- During long lasting power cuts, please do not open the door of the deep freeze compartment. Your refrigerator will preserve your frozen food in an ambient temperature of 25°C for about 13 hours. This value falls in higher ambient temperatures. During longer lasting power cuts, do not refreeze your food and consume it as soon as possible.
- **Never** place warm food in the freezer compartment.
- When purchasing and storing frozen food products, ensure that the packaging is not damaged.
- Storage time and recommended temperature for storing frozen food is indicated on the packaging. For storing and usage, follow the manufacturer's instructions. If no information is provided, food should not be stored for more than 3 months.
- Following purchase, place frozen food in the freezer compartment as soon as possible.
- Once food is thawed it must not be refrozen; you must cook it as quickly as possible for consumption or freeze once again.

Additional Storage: if you want to use the freezer's maximum net capacity, remove the drawers and store items directly on the cooling tubes. This will enable you to make use of the entire volume of the compartment.

Using your Built-In Combi Fridge-Freezer

Getting the most from your appliance

Tips for Saving Energy

1. Install the appliance in a cool, well ventilated room, but not in direct sunlight or near heat sources (radiators, cooker, etc....).
2. Allow warm food and drinks to cool down before placing in the appliance.
3. When thawing frozen food, place it in the refrigerator compartment. The frozen food will help to cool the refrigerator compartment when it is thawing.
4. When placing liquids in the appliance they must be covered.
5. When placing food and drinks, open the appliance door as briefly as possible.
6. Keep closed the covers of any different temperature compartments in the appliance (crisper, chiller ...etc).
7. Door seals should be kept clean and undamaged.

Accessories

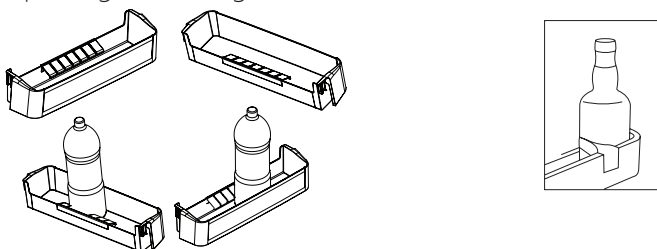
Ice tray

- Fill the ice tray with water and place in freezer compartment.
- After the water has completely frozen , you can twist the tray as shown below to get the ice cubes.

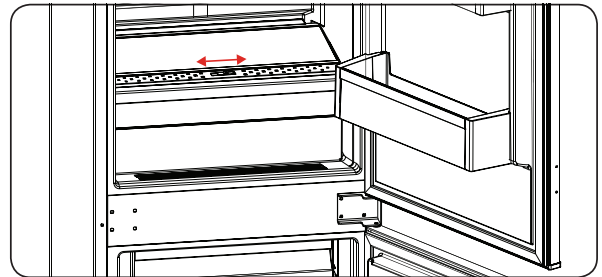


Bottle holder (In some models)

In order to prevent bottles from slipping or falling over, you can use the bottle holder. This will also help to prevent the noise made by bottles when opening or closing the door.



Fresh dial



When the humidity controller in the closed position, it allows fresh fruit and vegetables to be stored longer.

In case of the crisper is totally full, the fresh dial is located in front of crisper, should be opened. By means of this the air in the crisper and humidity rate will be controlled and endurance life will be increased.

If you see any condensation on glass shelf, humidity control should be taken into the open positions.

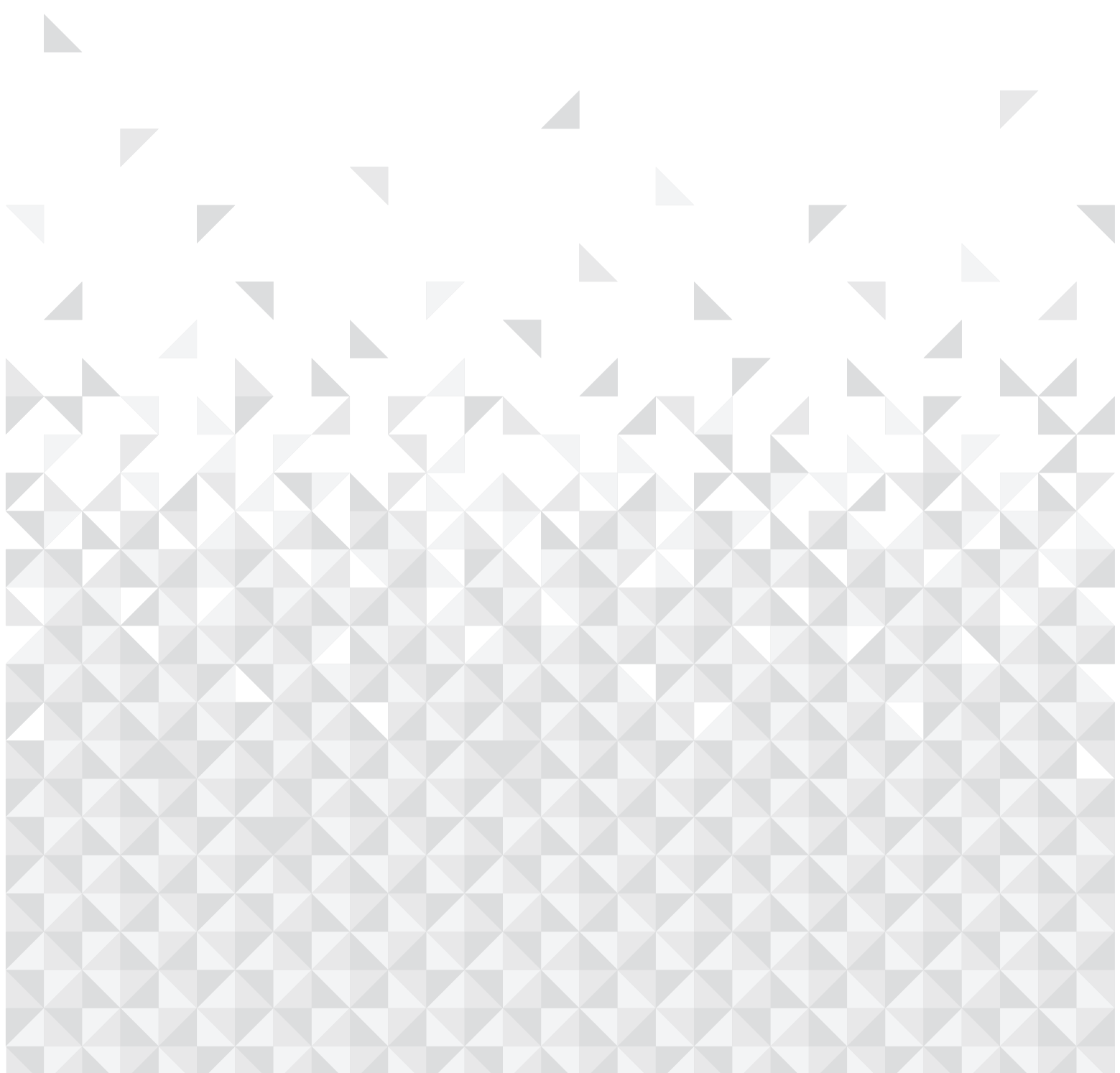
! All written and visual descriptions in the accessories may vary according to the appliance model.



If you require any technical guidance or find that your product is not operating as intended, a simple solution can often be found in the **Troubleshooting** section of these instructions,

Care and maintenance

6



Care and maintenance

Looking after your appliance

Cleaning and maintenance

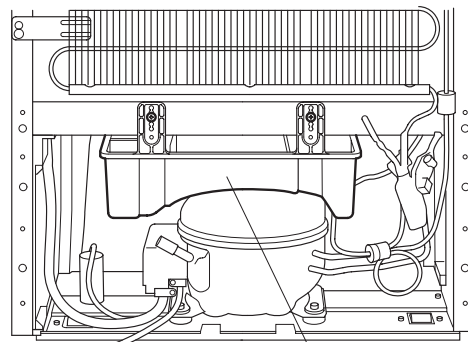
General

- Disconnect the unit from the power supply before cleaning.
- Do not clean the appliance by pouring water.
- Make sure that no water enters the lamp housing and other electrical components.
- The appliance should be cleaned periodically using a solution of bicarbonate of soda and lukewarm water.
- Clean the accessories separately with soap and water. Do not clean them in the dishwasher.
- Do not use abrasive products, detergents or soaps. After washing, rinse with clean water and dry carefully. When you have finished cleaning, reconnect the plug to the mains supply with dry hands.

! THE POWER SUPPLY MUST BE DISCONNECTED.

Defrosting

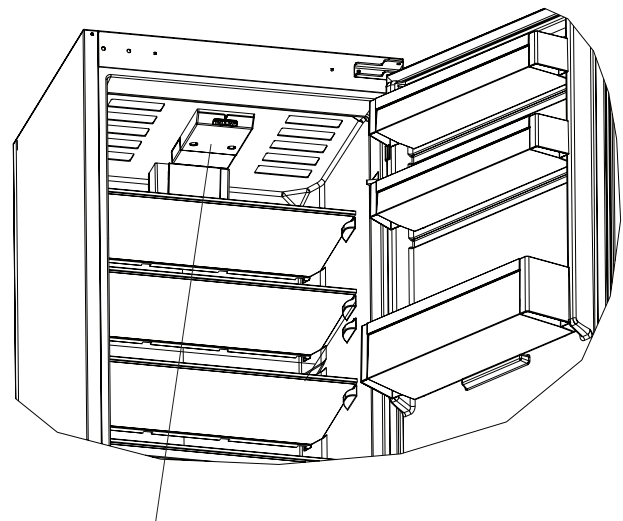
Your fridge - freezer has fully automatic defrosting. The water formed as a result of defrosting passes through the water collection spout, flows into the vaporisation container below the condenser and evaporates there.



Evaporation container

Replacing the LED

Contact the Bush helpline.



Refrigerator LED light and cover

Care and maintenance

Looking after your appliance

Technical specification

Supplier's name or trademark	BUSH
Model / Item	BIFF5050
Type of appliance	BGST/N2751M-S
Energy efficiency class	A+
Voltage	220-240V / 50 Hz
Energy consumption	0.764 kWh/24h - 279 kWh/year
Net storage volume of fresh food	145 lt.
Net storage volume of frozen food	81 lt.
Star rating of frozen food storage compartment	4 (****)
Power cut failure safe storage	13 hours (25°C)
Freezing capacity	4 Kg
Climate class	ST/N (16°C - 38°C)
Size (mm) (W x D x H)	540 x 545 x 1770
Noise	43dB (A)

We apologise for any inconvenience caused by minor change or inconsistencies in these instructions that may occur as a result of product improvements and development.

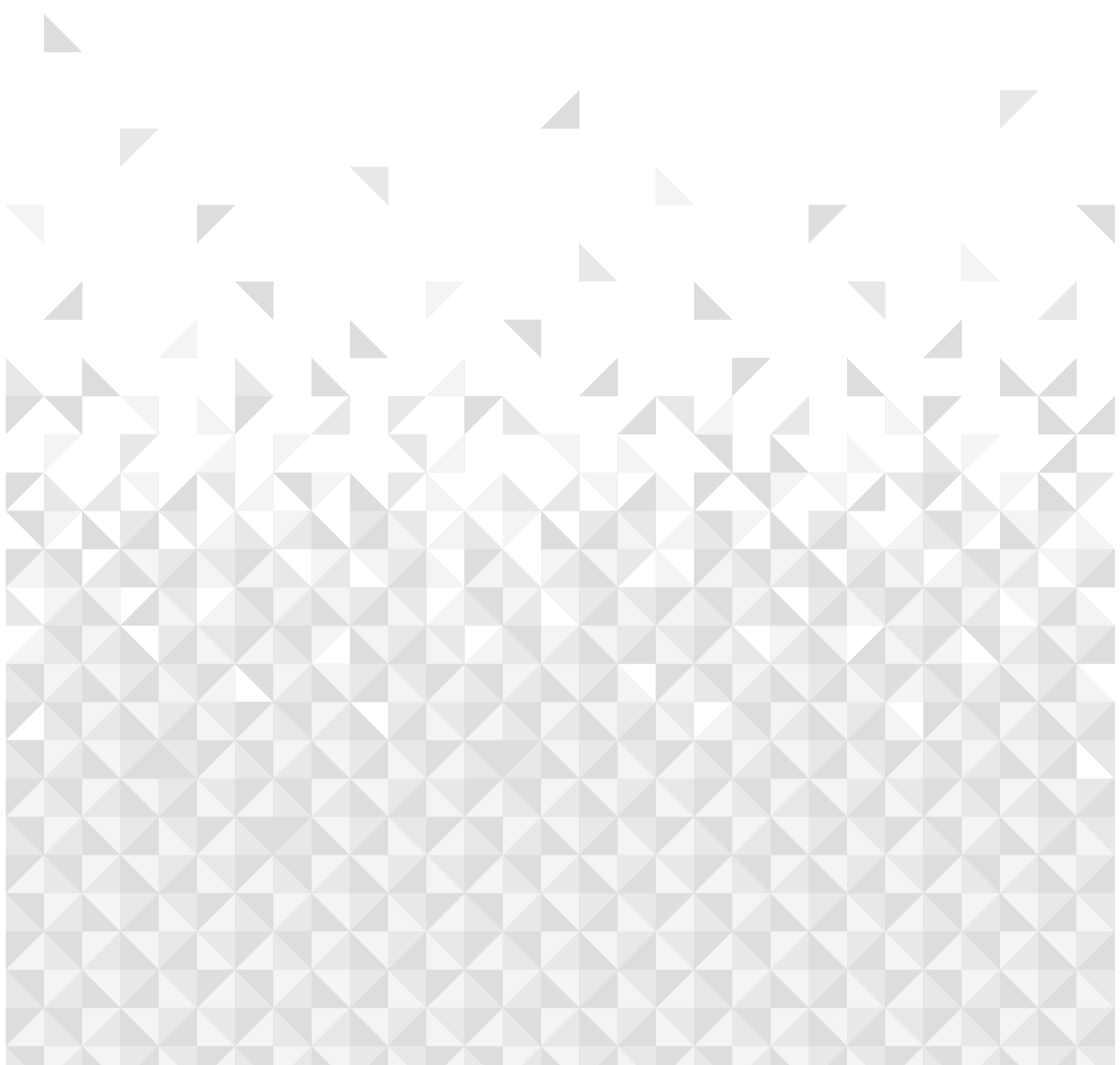




If you require any technical guidance or find that your product is not operating as intended, a simple solution can often be found in the **Troubleshooting** section of these instructions,

Product support

7



Product support

Help is always at hand

If your freezer is not working properly there may be a minor problem, therefore check the following

Problem	Possible Causes	Possible Solutions
The appliance does not operate	There is a power failure The mains plug is not properly plugged in, or is loose	The socket is defective. To check this, plug in a fully operable appliance into the same socket
The appliance performs poorly	You have overloaded the appliance The doors are not closed perfectly	There is not sufficient ventilation around the appliance
There is a noise	The cooling gas which circulates in the cooling circuit may make a slight noise (bubbling sound) even when the compressor is not running. Do not worry, this is quite normal. If these sounds are different check if; <ul style="list-style-type: none">• The appliance is installed firmly as described in the section of this instruction manual• Objects on the appliance are vibrating	

Important notes:

- During power cut, to prevent any compressor problem you should unplug the fridge - freezer. You should delay plugging in 5 – 10 minutes after your power supply returns. Of you plug out the fridge - freezer for a reason you should wait at least 5 min to replug. It is important for avoiding damage to fridge - freezer's components.
- If you will not be using your freezer for a long time (holiday, etc...), disconnect the plug from the socket. Clean your freezer as per chapter 6 of this document and leave the door open to prevent any humidification or odour formation.

Product support

Help is always at hand

Help and assistance

If you require any technical guidance or find that your Built-In Combi Fridge-Freezer is not operating as intended, a simple solution can often be found in the **Troubleshooting** section of these instructions or online at www.argos-support.co.uk

If you still require further assistance, call one of our experts on **0345 257 7271***. To help give us give you a fast and efficient service please have the following information ready:

Model Ref.	<input type="text"/>	You can find these on the rating plate - a small information panel (usually a sticker or metal plate) on the rear of your appliance
Serial number	<input type="text"/>	
Date of purchase	<input type="text"/>	This will be shown on your receipt

Local call rates applies*

Lines open 8am-7pm Monday to Saturday and 10am-4pm Sunday.

*Calls to Argos enquiry lines may attract a charge and set up fee from residential lines depending on your call plan/tariff . Mobile and other providers costs may vary, see www.bt.com/pricing for details.

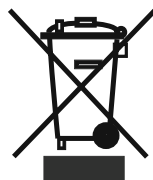
For Security and training purposes, telephone calls to and from customer service centres maybe recorded and monitored. Calls from Republic of Ireland will attract international call charges.

Product support

Help is always at hand

Disposal

- The symbol on the product or on its packaging indicates that this product may not be treated as household waste. Instead it shall be handed over to the applicable collection point for the recycling of electrical and electronic equipment.
- By ensuring this product is disposed of correctly, you will help prevent potential negative consequences for the environment and human health, which could otherwise be caused by inappropriate waste handling of this product.
- For more detailed information about recycling of this product, please contact your local city office, your household waste disposal service or the shop where you purchased the product.



Product support

Help is always at hand

Guarantee

BUSH

Call us now and activate your 12 month guarantee

Thank you for choosing Bush. Your new product is guaranteed against faults and breakdowns for 12 months. Don't forget to register it with us today so we can provide you with our best possible after-sales service and useful updates.

www.bushregistration.co.uk

FREEPHONE*

0800 597 8548

Lines are open 8am - 8pm, 365 days a year. *Calls may be recorded and monitored.

Your Bush Guarantee

This product is guaranteed for twelve months from the date of original purchase. Any defect that arises due to faulty materials or workmanship will be repaired free of charge (or if applicable the product will be replaced or the purchase price refunded) where possible during this period by the dealer from who your purchased the unit.

The guarantee is subject to the following provisions:

- The guarantee does not cover accidental damage, misuse, cabinet parts, knobs or consumable items.
- The product must be correctly installed and operated in accordance with the instructions contained in the manual.
- It must be used solely for domestic purposes. The guarantee will be rendered invalid if the product is re-sold or has been damaged by inexpert repair.
- Specifications are subject to change without notice.
- Bush disclaim any liability for loss or damage arising from the breakdown of the product.
- This guarantee is in addition to and does not diminish your statutory or legal rights.

Important Data Protection Information

If you provide us with information about another person, you confirm that they have appointed you to act for them, to consent to the processing of their personal data including sensitive personal data and that you have informed them of our identity and the purposes (as set out in the Important Data Privacy notice displayed overleaf) for which their personal data will be processed.

You are entitled to ask for a copy of the information we hold about you (for which we may charge a small fee) and to have any inaccuracies in your information corrected.

For quality control and training purposes, we may monitor or record your communications with us.

If your personal details change, if you change your mind about any of your marketing preferences or if you have any queries about how we use your information, please let us know by contacting our Data Protection Officer, Domestic & General, Leicester House 17 Leicester Street, Bedworth, Warwickshire CV12 8JP.

Guarantor: Argos Limited - 489 - 499 Avebury Blvd. - Milton Keynes - MK9 2NW

or online at www.argos-support.co.uk If you still require further assistance, call one of our experts on 0345 257 7271.

BUSH

Contact:

www.argos-support.co.uk

Helpline: 0345 257 7271

52205776