

BUSH

Instruction manual

PDVD-163C 2P





You'll soon be enjoying your new Bush In-Car DVD player.

It all begins here, with your instructions. Don't worry, there's nothing too technical coming up. Just simple, step-by-step guidance to get you up and running quickly. Sound good? Then let's get started.

Help and Guidance

We're here to help you get the most from your Bush In-Car DVD player. Should you require any guidance, a simple solution can often be found online at:

www.argos-support.co.uk

If you still require further assistance, call one of our experts on **0345 604 0105**.

If you require any technical guidance or find that your product is not operating as intended, a simple solution can often be found in the **Troubleshooting**

Contents

1 Safety information

Safety information 6

2 Getting to know your In-Car DVD player

Ready? Let's begin 12

Accessories 12

Main Unit 13

3 Using your In-Car DVD player

Remote control unit 16

SETUP Menu Setting 19

4 Connections

Using the car power adapter (in-car use) 26

Mounting the DVD in a Car. 27

Installation Guide 28

Using the Mains Adapter (for indoor use). 29

Using Earphones 30

Charging the battery 30

Watching a DVD on DVD Player A and B 31

Connecting to a TV. 31

Connecting to a Stereo Receiver or Amplifier 32

5 Other information

Technical specification 36

6 Product support

Troubleshooting 39

Help and assistance 40

Safety information 1





Safety information

Important - Please read these instructions fully before installing or operating

Warning: To reduce the risk of electric shock, do not remove the cover or back. There are no user-serviceable parts inside. Refer servicing to qualified personnel.

Warning: To prevent fire or electric shock hazard, do not expose the unit to rain or moisture.

Do not expose the Adaptor and portable DVD to water (dripping or splashing) and no objects filled with liquids, such as vases, should be placed on the unit.

Keep the portable DVD away from direct sunlight and heat source such as radiators or stoves.

Do not block the ventilation openings. Slots and openings on the unit are provided for ventilation. The openings should never be blocked by placing your portable DVD on a cushion, sofa or other similar surface.

Do not place the portable DVD on unstable cart, stand, tripod, bracket or table. The unit may fall, resulting in possible damage or injury.

Never place heavy or sharp objects on the LCD panel or frame.

Only use the AC adapter included with portable DVD. Using any other adapter will void your warranty.

The plug of AC adaptor is used as the disconnect device, the disconnect device shall remain readily operable.

Unplug the power from the outlet when the unit is not in use.

Attention should be drawn to the environmental aspects of battery disposal.

CAUTION: Danger of explosion if battery is incorrectly replaced. Replace only with the same or equivalent type.

WARNING: The battery (battery or batteries or battery pack) shall not be exposed to excessive heat such as sunshine, fire or the like.

WARNING: Excessive sound pressure from earphones or headphones can cause hearing loss.

If you require any technical guidance or find that your product is not operating as intended, a simple solution can often be found in the **Troubleshooting**



Safety information

Important - Please read these instructions fully before installing or operating

WARNING: Only use attachments/accessories specified provided by the manufacturer, the portable DVD is supplied by AC adapter, the AC adapter is used as disconnect device, the disconnect device shall remain readily operable.

Caution: Danger of explosion if battery is incorrectly replaced, replaced only with the same or equivalent type (Lithium battery)



Use only power supplies listed in the user instructions.
Adapter model: SEF0900100G1BA
Made By: Shenzhen Mass Power Electronics Limited



This equipment is a Class II or double insulated electrical appliance. It has been designed in such a way that it does not require a safety connection to electrical earth.



To prevent possible hearing damage, do not listen at high volume levels for long periods.
Fully understand user manual before use.
Ensure your player at low volume levels or power off before you leaving.



Manufactured under license from Dolby Laboratories Dolby and the double-D symbol are trademarks of Dolby Laboratories



- Audio and Video
Disc size 12cm Single side, single layer / single side, double layer PAL and NTSC DVD disc Playback time 135min / 240min max

This DVD Player is designed and manufactured to respond to the Region Management Information that is recorded on a DVD disc. If the Region number described on the DVD disc does not correspond to the Region number of this DVD Player, this DVD player can-not play that disc

The Region number of this DVD player is





Safety information

Important - Please read these instructions fully before installing or operating

Safety Precautions



Warning: This digital video disc player employs a laser system.

Use of controls, adjustments, or the performance of procedures other than those specified herein may result in hazardous radiation Exposure.

Warning: To prevent direct exposure to laser beam, do not open the enclosure. Visible laser radiation when open.

Warning: Never stare directly into the laser beam.

Caution: Do not install this product in a confined space such as a book case or similar unit.

Warning: when the unit is used by a child, parents must make sure to let the child understand all contents in the instruction book how to use the battery correctly all the time.

Warning: when the battery overheats, swells or dours, please stop using the battery and contact the service centre for replacement.

Warning: do not charge the battery in a place with insufficient ventilation such as: mattress, sofa, cushion, soft mat.....

Warning: we will not take any responsibility if the user incorrectly uses the battery, not following our warning instruction label on the battery case.

Warning: more than 250mm USB extension cord is prohibited to use for the USB port

WARNING:

Do not ingest the battery, Chemical Burn Hazard (The remote control supplied with) This product contains a coin/button cell battery.

If the coin/button cell battery is swallowed, it can cause severe internal burns in just 2 hours and can lead to death.

Keep new and used batteries away from children.

If the battery compartment does not close securely, stop using the product and keep it away from children.

If you think the battery might have been swallowed or placed inside any part of the body, seek immediate medical attention.

If you require any technical guidance or find that your product is not operating as intended, a simple solution can often be found in the **Troubleshooting**



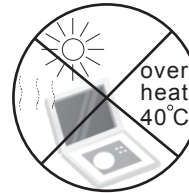
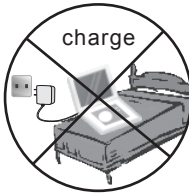
Safety information

Important - Please read these instructions fully before installing or operating

Notes on Copyrights:

It is forbidden by law to copy, broadcast, show, broadcast via cable, play in public, or rent copyrighted material without permission.

This product features the copy protection function developed by Macrovision. Copy protection signals are recorded on some discs. When recording and playing the pictures of these discs picture noise will appear. This product incorporates copyright protection technology that is protected by method claims of certain U.S. Patents and other intellectual property rights owned by Macrovision Corporation and other rights owners. Use of this copyright protection technology must be authorized by Macrovision Corporation, and is intended for home and other limited viewing uses only unless otherwise authorized by macrovision Corporation. Reverse engineering or disassembly is prohibited.



Getting to know your In-Car DVD player

2



Getting to know your In-Car DVD player

You'll be up and running in no time

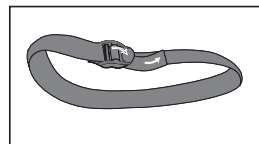
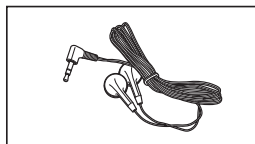
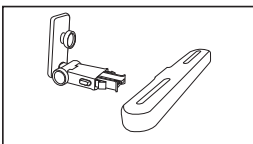
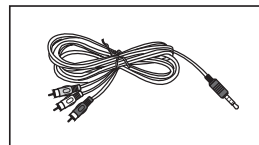
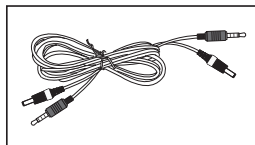
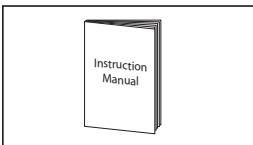
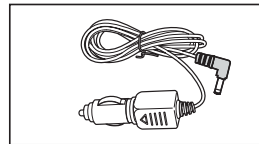
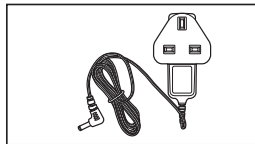
Ready? Let's begin...

Please read these instructions carefully. They contain important information which will help you get the best from your product and ensure safe and correct installation and operation.

If you require any further assistance, our technical experts are happy to help. For full details, refer to the product support section at the end of these instructions.

Accessories

1. Remote control* 2
2. Power adapter* 2
3. Car charger
4. User manual
5. DC+AV connecting cable
6. AV cable* 2
7. Car Bracket * 2
8. Earphone*2
9. Straps*2

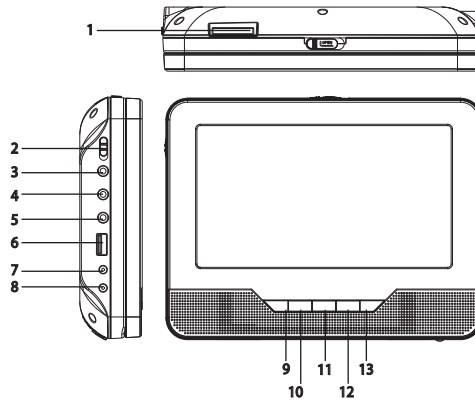


If you require any technical guidance or find that your product is not operating as intended, a simple solution can often be found in the **Troubleshooting**

Getting to know your In-Car DVD player

You'll be up and running in no time

MASTER TFT SCREEN



1. CARD SLOT
2. POWER ON/OFF
3. HEADPHONE OUT JACKS
4. VIDEO/AUDIO OUT
5. AV IN
6. USB

7. DC OUT
8. DC IN 9-12V
9. ►|| (PLAY/PAUSE)
10. UP/BACKWORDS/VOL-
11. DOWN/FORWARDS/ VOL+
12. ■ STOP

section of these instructions, or online at www.argos-support.co.uk If you still require further assistance, call one of our experts on 0345 604 0105.

Using your In-Car DVD player

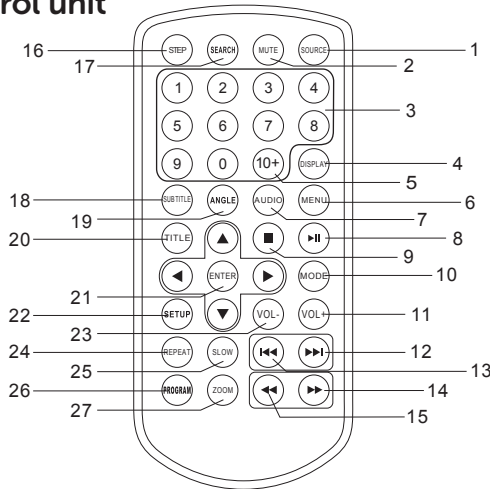
3



Using your In-Car DVD player

Let's get started

Remote control unit



1. SOURCE
DVD/USB.

2. MUTE
Disable Audio output.

3.0-9 NUMBER BUTTON
Selects numbered items in a menu.

4.DISPLAY
To display the playtime and status information.

5.10+ BUTTON
In order to select a track 10 or greater, first press 10+, For example; select track 12, first press 10+, and then press number 2 button.

6. MENU
Return to DVD root menu(DVD).

7.AUDIO
DVD:Press AUDIO repeatedly during playback to hear a different audio language or audio track, if available.
CD: Press AUDIO repeatedly during playback to hear a different audio channel (Left,Right,Mix,Stereo).

If you require any technical guidance or find that your product is not operating as intended, a simple solution can often be found in the **Troubleshooting**

Using your In-Car DVD player

Let's get started

8.PLAY/PAUSE

Press PLAY/PAUSE once to pause playback, pressing PLAY/PAUSE second time will resume the playback.

9.STOP

When this button is pressed once, the unit records the stopped point,from where playback will resume if PLAY(▶) is pressed afterwards. But if STOP button is pressed again instead of PLAY(▶) button, there will be no resume function.

10.MODE

Set LCD parameter(adjust bightness, contrast,and saturation).

11.VOL+

23.VOL-

Adjust volume.

12.Forward Skip

Go to next chapter/ track.

13.Reverse Skip

Go to previous chapter/ track to the beginning.

14. ▶▶ BUTTON

Press ▶▶ BUTTON allow skipping ahead at 5-level speed(X2-> X4->X8->X16->X32->PLAY), press PLAY button return to normal playback.

15. ◀◀ BUTTON

Press ◀◀ BUTTON allow skipping back at 5-level speed(X2->X4->X8->X16->X32->PLAY), press PLAY button return to normal playback.

16.STEP

Step the motion in DVD mode.

17.SEARCH

Goto time point , title or chapter you want in DVD Mode.

18.SUBTITLE

Press SUBTITLE repeatedly during playback to hear a different subtitle languages.

19.ANGLE

DVD:Press ANGLE will change the view angle, on DVDs that support this feature.

section of these instructions, or online at www.argos-support.co.uk If you still require further assistance, call one of our experts on 0345 604 0105.

Using your In-Car DVD player

Let's get started

20.TITLE

Return to DVD title menu

21.ENTER

Confirms menu selection..

22.SETUP

Accesses or removes setup menu.

24.REPEAT

Press REPEAT during playback to select a desired repeat mode.

DVD: you can play select repeat chapter/title/off.

CD: you can select repeat single/all/off.

MP3: you can select repeat single/folder/off.

25.SLOW

Press Slow button repeatedly to enter slow playback, and cycle between different speeds.

The speeds are 1/2,1/4,1/8,1/16,and normal.

26.PROGRAM

DVD:The program function enables you to store your favourite tracks from the disc.

Press PROGRAM button ,then PROGRAM MENU will appear on screen, now you can use the number key to direct input the titles,chapters or tracks number and select PLAY option.

TO resume normal playback, press PROGRAM and select clear program option on the program menu,press PROGRAM again to exit program menu.

27.ZOOM

DVD: Use ZOOM to enlarge or shrink the video image.

1.Press ZOOM during playback or still playback to activate the Zoom function.

The square frame appears briefly in the right bottom of the picture.

2. Each press of the ZOOM button changes the TV screen in the following sequence:

2 x size→3 x size→4 x size→1/2 x size→1/3 x size→1/4 x size→normal size

JPEG: Use ZOOM to enlarge or shrink the picture.

1.Press 'ZOOM' .

2,Used " ►► " to enlarge,or " ◀◀ " to shorten the picture.

Use the ▲▼◀► button to move through the zoomed picture.

If you require any technical guidance or find that your product is not operating as intended, a simple solution can often be found in the **Troubleshooting**

Using your In-Car DVD player

Let's get started

SETUP Menu Setting

General Setup Page

Press SETUP button to get the setup menu. Use direction button ▲▼◀▶ to select the preferred item. After finishing settings, press SETUP again to normal display. The following menu items can be changed:

GENERAL: selects the GENERAL PAGE menu.

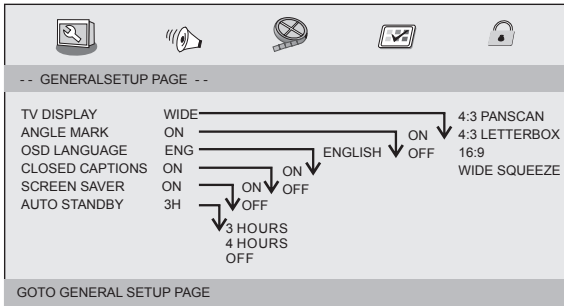
AUDIO: selects the AUDIO PAGE menu.

VIDEO: selects the VIDEO PAGE menu.

PREFERENCE : selects the PREFERENCE PAGE menu.

PASSWORD: selects the PASSWORD PAGE menu.

General Setup Page



TV DISPLAY: selects the aspect ratio of the playback picture.

4:3 PANSCAN: if you have a normal TV and want both sides of the picture to be trimmed or formatted to fit your TV screen.

4:3 LETTERBOX: if you have a normal TV. In this case, a wide picture with black bands on the upper and lower portions of the TV screen will be displayed.

16:9:wide screen display.

Wide Squeeze: Set screen mode to 4:3.

Angle Mark

Displays current angle setting information on the right hand corner of the TFT screen if available on the disc.

section of these instructions, or online at www.argos-support.co.uk If you still require further assistance, call one of our experts on 0345 604 0105.

Using your In-Car DVD player

Let's get started

OSD Language

You can select your own preferred language settings.

Closed Captions

Closed captions are data that are hidden in the video signal of some discs. Before you select this function, please ensure that the disc contains closed captions information and your TV set also has this function.

Screen Saver

This function is used to turn the screen saver On or Off

Auto Standby

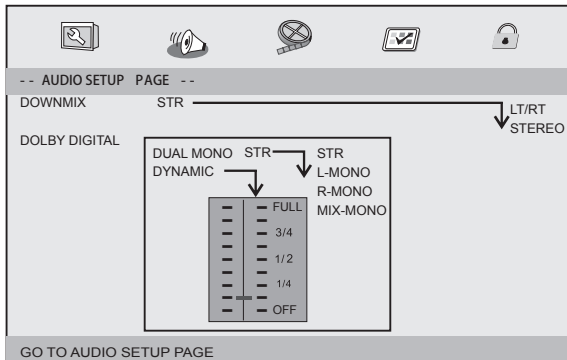
This function is used to select auto standby settings after 3 or 4 hours.

3 HOURS: the unit will turn to standby mode after 3 hours if there is no interaction from user within this period of time.

4 HOURS: the unit will turn to standby mode after 4 hours if there is no interaction from user within this period of time.

OFF: the auto standby function is disabled, and unit will stay in "on" mode even if no interaction from user..

Audio Setup Page



Downmix

This options allows you to set the stereo analog output of your DVD Player.

LT/RT :Select this option if your DVD Player is connected to a Dolby Pro Logic decoder.

If you require any technical guidance or find that your product is not operating as intended, a simple solution can often be found in the **Troubleshooting**

Using your In-Car DVD player

Let's get started

Stereo :Select this option when output delivers sound from only the two front speakers.

Dolby digital

The options included in Dolby Digital Setup are: 'Dual Mono ' and 'Dynamic '.

Dual Mono

Stereo:Left mono sound will send output signals to Left speaker and Right mono sound will send output signals to Right speaker.

L-Mono:Left mono sound will send output signals to Left speaker and Right speaker.

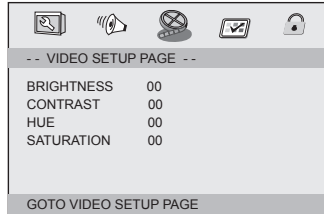
R-Mono:Right mono sound will send output signals to Left speaker and Right speaker.

Mix-Mono:Left and Right mixed mono sound will send output signals to Left and Right speakers.

Dynamic

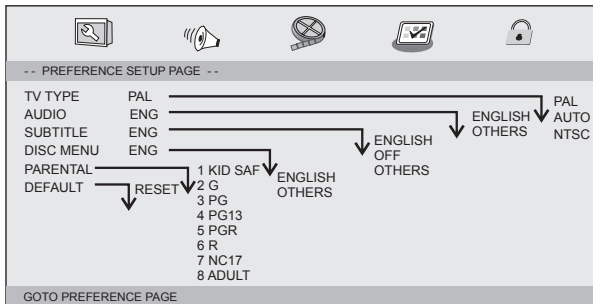
Dynamic range compression.

Video Setup Page



Brightness,Contrast,Hue,Saturation:setting the video quality.

Preference Page



section of these instructions, or online at www.argos-support.co.uk If you still require further assistance, call one of our experts on 0345 604 0105.

Using your In-Car DVD player

Let's get started

TV Type

Selecting the colour system that corresponds to your TV when AV outputs. This DVD Player is compatible with both NTSC and PAL.

PAL - Select this if the connected TV is PAL system. It will change the video signal of a NTSC disc and output in PAL format.

NTSC - Select this if the connected TV is NTSC system. It will change the video signal of a PAL disc and output in NTSC format.

Auto: Change the video signal output automatic according to the playing disk format.

Audio: Selects a language for audio (if available).

Subtitle: Selects a language for subtitle (if available).

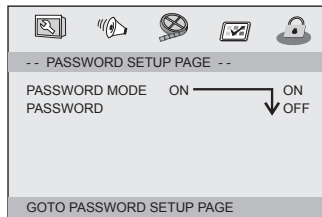
Disc Menu: Selects a language for disc menu (if available).

Parental

Some DVDs may have a parental level assigned to the complete disc or to certain scenes on the disc. This feature lets you set a playback limitation level. The rating levels are from 1 to 8 and are country dependent. You can prohibit the playing of certain discs that are not suitable for your children or have certain discs played with alternative scenes.

Default: Back to the factory setting.

Password Setup Page



Password mode: Set password mode on/off. If set to off, change parental level will not check password.

Password Setup Page

Password: select the menu password change page.



If you require any technical guidance or find that your product is not operating as intended, a simple solution can often be found in the **Troubleshooting**

Using your In-Car DVD player

Let's get started

OLD PASSWORD: Enter the OLD password, (Factory setting is 1369), and the cursor will jump automatically to NEW PASSWORD

NEW PASSWORD: Enter the NEW password. Enter 4 digits from the remote control unit numeric buttons, and the cursor will automatically jump to CONFIRM PASSWORD.

CONFIRM PASSWORD: Confirm the NEW password by entering it again. If the confirmation is incorrect, the cursor will stay in this column. After entering, the correct new password again, the cursor will jump automatically to OK.

OK: When cursor is on this button, press ENTER key to confirm setting.



Note: If the password has been changed, the parental and disc lock code will also be changed. The default need more space between the letters and "(1369)" should be bold always active even the password has been changed.

Connections 4



Using your In-Car DVD player

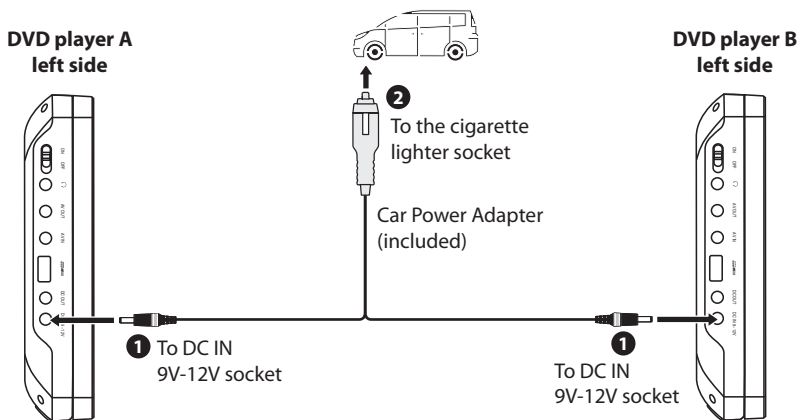
Let's get started

Using the DVD Players A and B Together (in-car use)

To playback on both DVD players A and B together, use the car power adapter (included) to connect both units to the car's cigarette lighter socket.



The included 12V car power adapter is designed for use with vehicles that have a 12V negative ground electrical system.



For optimum charging, switch the unit off.



- Disconnect the car power adapter when not in use. Not for use in 24V vehicles.
- Use the provided 12V car power adapter only. Using other car power adapters could damage the unit.
- In the interest of traffic safety, do not operate this unit or view videos while driving.
- Make sure the unit is securely fastened to prevent it from falling or flying through the air in the event of an accident.
- When the inside of the cigarette lighter socket is dirty with ash or dust, the plug section may become hot due to poor contact. Be sure to clean the cigarette lighter socket before use.
- After use, disconnect the 12V car power adapter from both the unit and the cigarette lighter socket.

If you require any technical guidance or find that your product is not operating as intended, a simple solution can often be found in the **Troubleshooting**

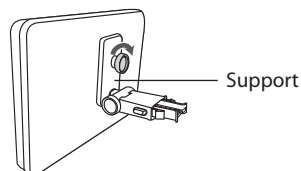
Using your In-Car DVD player

Let's get started

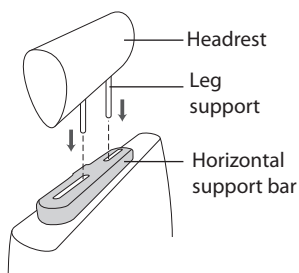
Mounting the DVD in a Car

Use the supplied mounting kit to install the DVD players at the back of the vehicle's headrests.

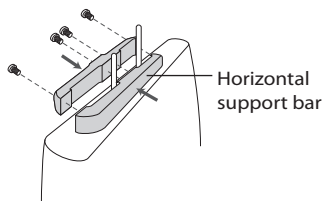
1. Align the angled support's bolt to the screw hole at the back of the DVD unit. Turn the bolt clockwise and secure the support.



2. For car headrests which can be removed, use the following method:
Lift the headrest off its leg supports. Align the horizontal support bar with the headrest leg slots and ensure the horizontal support bar rests securely on the top of the car seat. Re-attach the headrest.



3. For car headrests which cannot be removed, use the following method to secure the car mount:



Unscrew the bolts holding the horizontal support bar together. Slip both halves of the support bar around the headrests' leg supports. Screw in the bolts, loosely. Ensure that the support bar is level. Tighten the bolts.

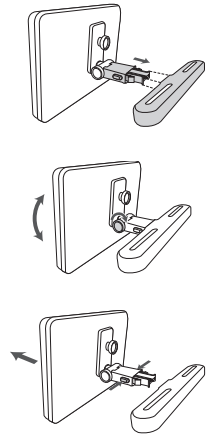


- If the set of 4 x screws ($\varnothing 4 \times 20\text{mm}$) is not long enough to secure the horizontal support bar to the leg supports, please use the longer set of screws ($\varnothing 4 \times 25\text{mm}$).

Using your In-Car DVD player

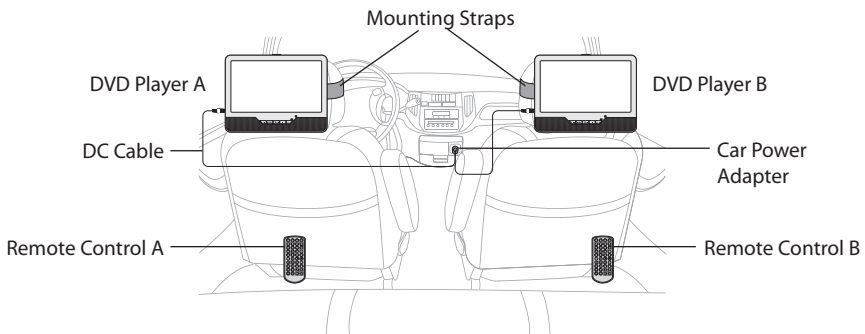
Let's get started

4. Grip the DVD firmly with both hands and slot the angled support firmly into the support bar. It will click. Ensure the entire unit is secure.
5. Adjust the angle of the DVD unit, then secure by tightening the bolt to the right.
6. To remove the DVD from the horizontal support bar, support the DVD unit with one hand. Firmly squeeze and pull the release buttons on either side of the angled support with the other hand.



- This unit should never be used by the vehicle's driver or left unsecured in the vehicle while driving.
- If this unit is being used in your vehicle, be sure that it is securely fixed to the headrests' leg supports or held safely, and does not obstruct any safety device, including air bags or seat belts, or it may cause injury in case of accidents. Ensure all rear passengers are correctly restrained when this product is in use in the car.
- All passengers should always wear seat belts when using this unit in a moving vehicle.
- If in doubt, please contact your vehicle manufacturer for further advice.

Installation Guide



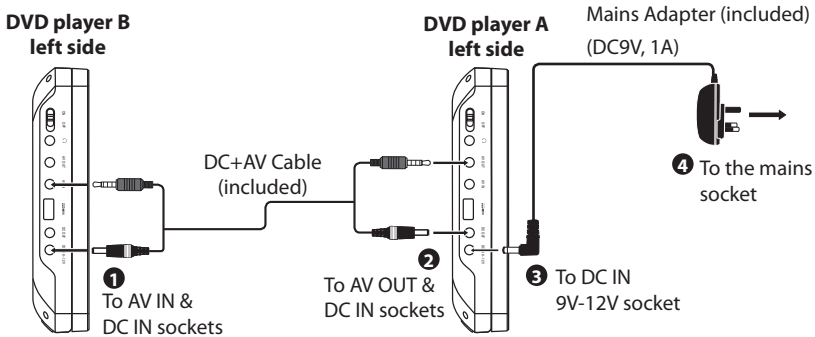
If you require any technical guidance or find that your product is not operating as intended, a simple solution can often be found in the **Troubleshooting**

Using your In-Car DVD player

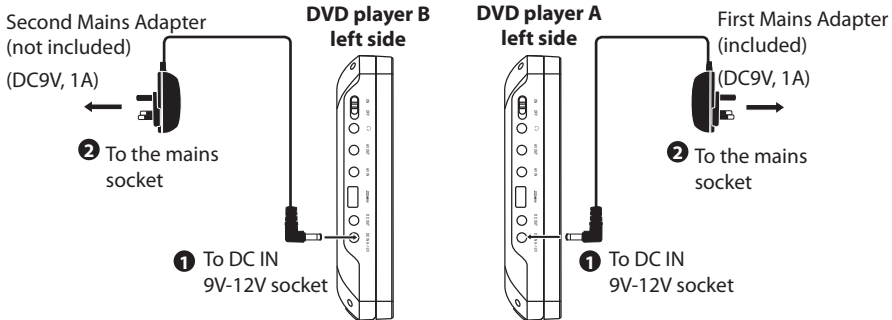
Let's get started

Using the Mains Adapter (for indoor use)

The mains adapter (DC9V, 2.0A output) supplied is for using the DVD player A and B. For using the DVD Player A and B separately, one more adapter is needed and is sold separately.



Using the DVD Player A and B with Separate Mains Adapter



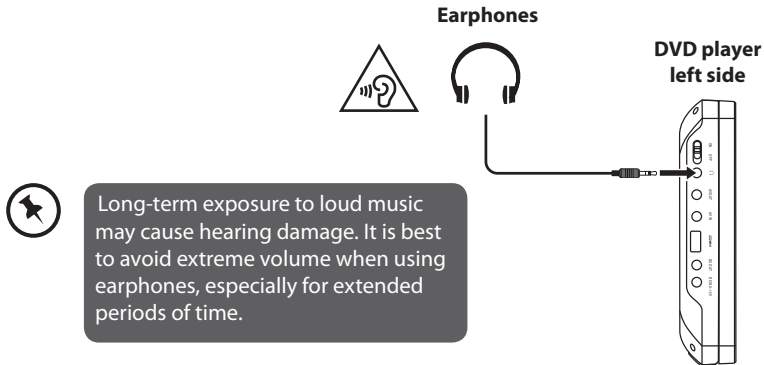
section of these instructions, or online at www.argos-support.co.uk If you still require further assistance, call one of our experts on 0345 604 0105.

Using your In-Car DVD player

Let's get started

Using Earphones

Turn down the volume before connecting the headphones/earphones. Slowly raise the volume with the headphones/earphones on until you reach your desired volume. When headphones/ earphones are connected, the speaker is automatically disabled.



Charging the battery

1. Connect with mains adapter or car power adapter.
2. The charging indicator lights up red indicating that the battery is in charging mode. When the battery is charged to full capacity, the LED indicator goes green.
3. Remove the adapter. The battery is now fully charged and the unit is ready to use.

* Battery Operation time from fully charged battery = Approx. 2.5 hours

- The battery is partially charged at shipment. We suggest that for first time use fully charge the battery. It may take up to 4 hours to fully charge the battery.
- Every time you see the low battery indication on the screen and when the LED indicator flashes in green and red alternatively, you must connect your mains adapter to the unit and the mains socket. The battery will now start to recharge.
- The battery will charge slower when the DVD player is in use.
- It is recommended to turn off the power while the battery is charging.

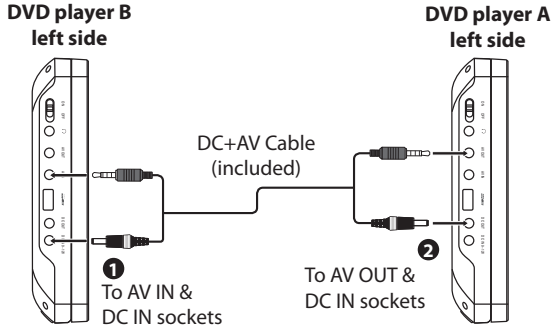
If you require any technical guidance or find that your product is not operating as intended, a simple solution can often be found in the **Troubleshooting**

Using your In-Car DVD player

Let's get started

Watching a DVD on DVD Player A and B

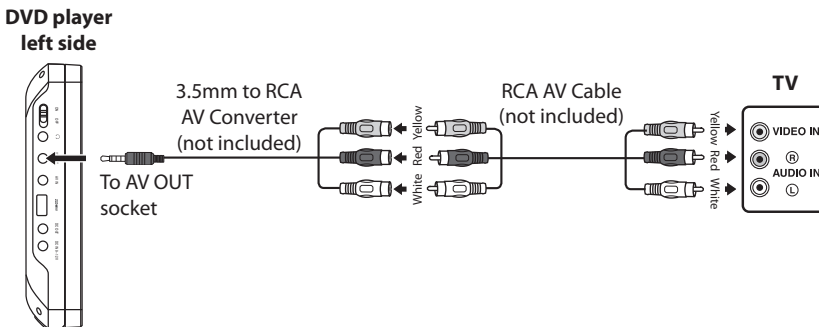
You can watch the same DVD on DVD player A and B at the same time.



1. Connect DVD player A and B by using the included DC+AV Cable. Plug the AV Cable into AV OUT socket on the DVD player in which the DVD is inserted; plug the other end of the AV Cable into AV IN socket of the other DVD player.
2. Turn on DVD player A and B.
3. Operate the controls of the DVD player in which the DVD is inserted.

Connecting to a TV

If your TV has Audio/Video inputs, you can connect the DVD player to your TV using a standard AV cable (included).



Using your In-Car DVD player

Let's get started

Watching a DVD on your TV

1. Connect your TV to the DVD player by using a 3.5mm to RCA AV Converter and a standard AV Cable (not included).
2. Turn on the DVD player.
3. Turn on the TV and follow the instructions included with it to play the DVD.

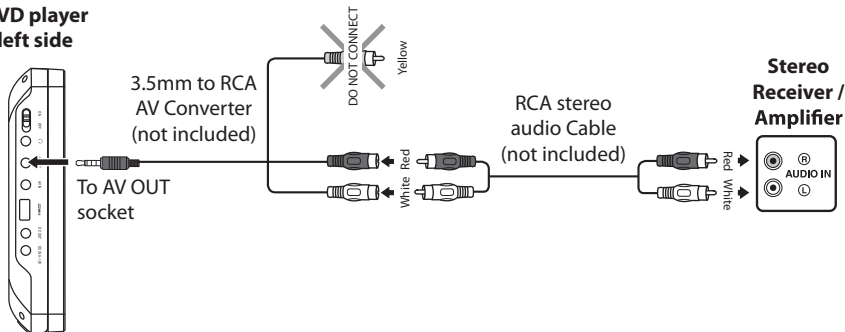


- Make sure the correct Audio/Video cable is used. Connecting the plugs incorrectly may cause a weak signal.
- If your TV does not have Audio/Video inputs, you will need to purchase an RF modulator (sold separately) and follow the instructions included with it to connect the unit to your TV.

Connecting to a Stereo Receiver or Amplifier

The DVD player can play two channels Dolby Digital.

DVD player left side



Listening on an External Audio Device

1. Connect the DVD player to the left/right Audio IN sockets on the audio device by using a 3.5mm to RCA AV Converter and a standard RCA Stereo Audio Cable (not included).
2. Turn on your audio device and follow the instructions provided with it to select the AUDIO IN function.



- Make sure the correct Audio cable is used. Connecting the plugs incorrectly may cause a weak signal.
- If you have a stereo VCR, make sure you set it to stereo mode.
- Due to copyright protection, DVD movies cannot be copied. If you copy a DVD movie onto a videotape, the resulting copy will be unclear, with poor sound quality. This is NOT caused by a defective DVD system.

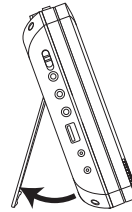
If you require any technical guidance or find that your product is not operating as intended, a simple solution can often be found in the **Troubleshooting**

Using your In-Car DVD player

Let's get started

Using The Stand For Indoor Use

You can stand the DVD player on a desk or table using the stand.



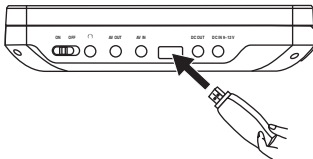
**DVD player
left side**

Using a USB Device or/and SD/MS/MMC Card

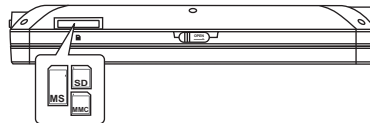
You can play or view picture files (JPEG) or music files (MP3) from a USB device or SD/MS/MMC card.

1. Connect the USB device or SD/MS/MMC card directly to the USB slot or SD/MS/MMC slot on the DVD player.
2. Press the **SOURCE** button to access the data in the drive.

**DVD player
left side view**



**DVD player
Top view**



3. Use the **▲▼** buttons to select "Media".
4. Press the **▶** button on the remote control, and then press the **▲▼** buttons to highlight "USB", "SD", "MS" or "MMC" depending on the type of device you have connected and then press the **ENTER** button on the remote control to start playback.
5. To remove the USB device or SD/MS/MMC card, press the **■** button to stop playback and then press the **SOURCE** button followed by the **ENTER** button on the remote control to exit the USB, SD/MS/MMC card menu. The DVD player will return to disc mode.

section of these instructions, or online at www.argos-support.co.uk If you still require further assistance, call one of our experts on 0345 604 0105.

Other information

5



Other information

Helpful technical information

Parameters and specifications

Electronical parameters

Item		Standard requirement
Power requirements		: AC 100-240 V, 50/60 Hz
Power consumption		: <10W
Operating humidity		: 5 % to 90 %
Output	VIDEO OUT	:1 V _{p-p} (75Ω)
	AUDIO OUT	:1.2 V _{rms} (1 KHz, 0 dB)

System

Laser	:Semiconductor laser, wavelength 650 nm
Signal system	: NTSC / PAL
Frequency response	: 20Hz to 20 kHz(1dB)
Signal-to-noise ratio	:More than 80 dB (ANALOG OUT connectors only)
Dynamic range	:More than 85 dB (DVD/CD)

Note: Design and specifications are subject to change prior notice.

Battery Parameters

Battery Specifications:

Output: 7.4V

Charge / Discharge Time:

Standard charge time: 3h ~ 4h

Storage and work circumstances:

1. Storage circumstances	Temperature	Humidity
6 months	-20°C ~ +45°C	65±20%
1 week	-20°C ~ +65°C	65±20%
2.Work circumstances	Temperature	Humidity
Standard charge	0°C ~ +45°C	65±20%
Standard discharge	-20°C ~ +65°C	65±20%

If you require any technical guidance or find that your product is not operating as intended, a simple solution can often be found in the **Troubleshooting**

Product support

6



Product support

Help is always at hand

Troubleshooting

Question	Answer
The DVD does not switch on.	<ul style="list-style-type: none">• Make sure the DVD player is charged or plugged in.• Ensure the ON / OFF switch on the DVD player is in the ON position.
The DVD player switches off spontaneously.	<ul style="list-style-type: none">• The DVD player will switch off automatically without any user intervention if auto standby is switched on. Press the any button on the remote control or DVD player to turn the DVD player back on.• The DVD player is unable to read the disc.• Ensure the DVD has been inserted with the label side facing upwards.• Check the DVD is suitable for playing on the DVD player.• Check that the DVD's regional code matches the regional code of the DVD player, region 2.• The disc maybe dirty, clean the disc following the information
There is no sound or the sound is of poor quality.	<ul style="list-style-type: none">• Make sure the sound is turned up.• Make sure the MUTE function is not on.• Ensure the headphones are fully inserted in the socket on the DVD player.
The remote control does not work or only works intermittently.	<ul style="list-style-type: none">• Check the batteries are correctly inserted or change them for new ones.• Check that nothing is blocking the signal from the remote control and the remote sensor on the DVD player.• Check you are using the correct remote control for the DVD player.
The subtitles do not appear.	<ul style="list-style-type: none">• Check that the DVD provides subtitles.
The disc menu language is not correct.	<ul style="list-style-type: none">• The DVD does not support the language you have selected.

section of these instructions, or online at www.argos-support.co.uk If you still require further assistance, call one of our experts on 0345 604 0105.

Product support

Help is always at hand

Help and assistance

If you require any technical guidance or find that your Bush In-Car DVD player is not operating as intended, a simple solution can often be found in the **Troubleshooting** section of these instructions or online at www.argos-support.co.uk

If you still require further assistance, call one of our experts on **0345 604 0105** . To help give us give you a fast and efficient service please have the following information ready:

Model Ref.

Serial number

You can find these on the rating plate - a small information panel (usually a sticker or metal plate) on the rear of your product.

Date of purchase

This will be shown on your receipt

Local call rates applies*

Lines open 8am-7pm Monday to Saturday and 10am-4pm Sunday.

*Calls to Argos enquiry lines may attract a charge and set up fee from residential lines depending on your call plan/tariff. Mobile and other providers costs may vary, see www.bt.com/pricing for details.

For security and training purposes, telephone calls to and from customer service centres may be recorded and monitored. Calls from Republic of Ireland will attract international call charges.

If you require any technical guidance or find that your product is not operating as intended, a simple solution can often be found in the **Troubleshooting**

Product support

Help is always at hand

Disposal



This marking indicates that this product should not be disposed with other household wastes throughout the EU. To prevent possible harm to the environment or human health from uncontrolled waste disposal, recycle it responsibly to promote the sustainable reuse of material resources. To return your used device, please use the return and collection systems or contact the retailer where the product was purchased. They can take this product for environmental safe recycling.



This appliance complies with the following EC directives:
2014/30/EU Low voltage directive
2014/35/EU EMC directive

BUSH

Contact:

www.argos-support.co.uk

Helpline: 0345 604 0105

