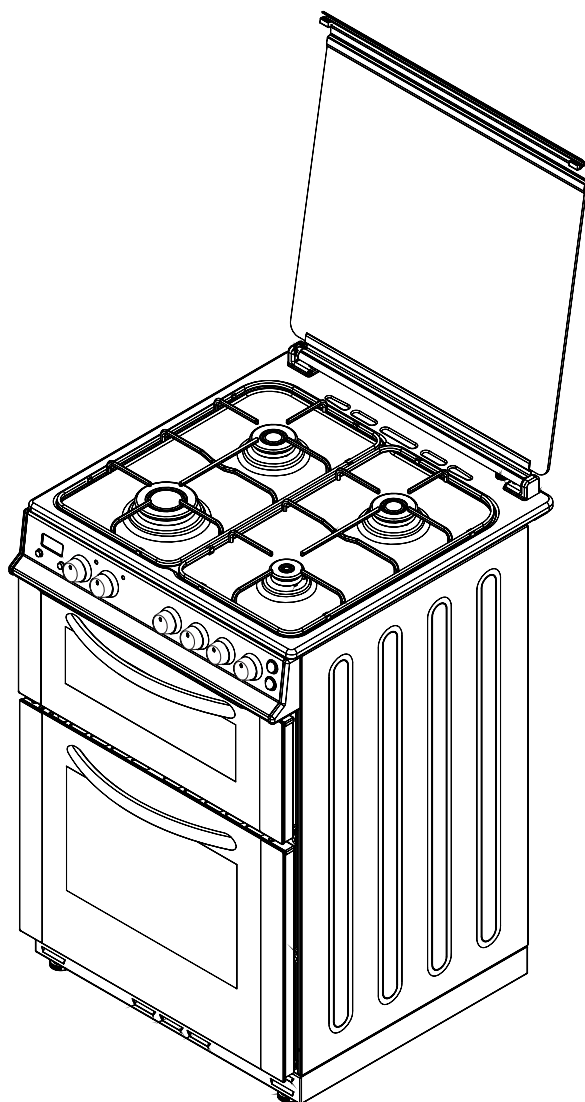


BUSH

Gas twin cavity

Installation Guide – Please keep for future reference

AG66TB
AG66TW



Important - Please read these instructions fully before using

These instructions contain important information that will help you get the best from your appliance, ensuring safe and correct installation, use and maintenance.

If you need help or have damaged or missing parts, call the Customer Helpline on **0345 257 7271**



Safety Information

Customer Helpline **0345 257 7271**

Important – Please read these instructions fully before installation

This appliance is produced in conformity with all safety regulations relating to electrical appliances. Maintenance and repair work must only be performed by authorised or suitably qualified service technicians. Installation and repair work performed without observing the rules may be dangerous.

IMPORTANT - This appliance has been designed for non-professional, domestic use only.

IMPORTANT - Make sure your electrical isolation switch is in an easily accessible position following installation.

IMPORTANT - Switches **must** be set to the '0' position when the appliance is not in operation.

WARNING - Before connecting the appliance to the household electrical supply, make sure the appliance is rated correctly for the type of electrical supply in your house by checking the information on the rating plate.

WARNING - The appliance **must** be installed by an authorised technician prior to use. The manufacturer is not responsible for any damage that might be caused by installation not in accordance with these instructions.

WARNING - Accessible parts become hot during use, children **must** be kept away.

WARNING - When the oven door is in the open, **do not** place anything on it. This could disturb the balance of the appliance or break the door.

WARNING - Make sure cables of other electrical devices cannot come into contact with the hot parts of this appliance.

WARNING - Protect your appliance from atmospheric effects. **Do not** expose to the effects of sun, rain, snow, dust etc.

WARNING - Disconnect the gas supply when not in use for prolonged periods.

WARNING - Switch off the mains electrical supply at the isolation switch when not in use for prolonged periods.


CAUTION - **Do not** keep flammable materials close to the appliance when it is in operation.

Important information for installation engineer

INSTALLATION AND PREPARATIONS FOR USE

Ventilation requirements

- For rooms with a volume of less than 5 m³ - permanent ventilation of 100 cm² is required.
- For rooms with a volume of between 5 m³ and 10 m³ a permanent ventilation of 50 cm² will be required unless the room has a door which opens directly to the outside, in which case no permanent ventilation is required.
- For rooms with a volume greater than 10 m³ - no permanent ventilation is required.

 Pay attention: Regardless of room size, all rooms containing the appliance must have direct access to the outside air via an openable window or equivalent. The room containing the cooker should have an air supply in accordance with BS 5440: Part 2.

Important information for installation engineer

Extraction

Gas cooking appliances must be adequately ventilated using an extraction fan or cooker hood which vents outside.

Positioning

1. Make sure that there are no combustible or flammable materials, such as curtains, in the vicinity of the appliance.
2. Furniture and cabinets surrounding the appliance must be made of a material resistant to temperatures greater than 50°C.
3. Surrounding furniture, cabinets and the extractor fan should be positioned in accordance with the diagram shown in figure 1.
4. There must be at least 2cm of free space between the back wall and the rear of the appliance to allow ventilation and air circulation.
5. If fitted, the extractor fan must be at least 65cm above the hob. If no extractor fan is fitted, the minimum distance between the hob and any cabinet or other structure must be 70cm.

Feet height adjustment

1. The height and level of the appliance can be adjusted by rotating the feet located underneath the appliance at each corner as shown in figure 2.
2. Rotate in a clockwise direction to decrease the height and anti clockwise to increase the height.
3. Once the desired height has been achieved, lift the appliance into its location. **Do not** drag it as this may cause damage to your floor and the appliance.

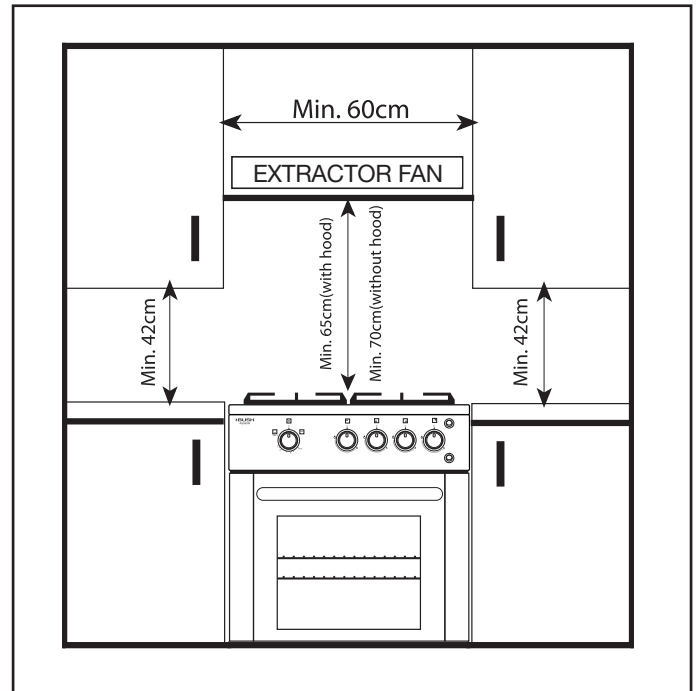


Figure 1

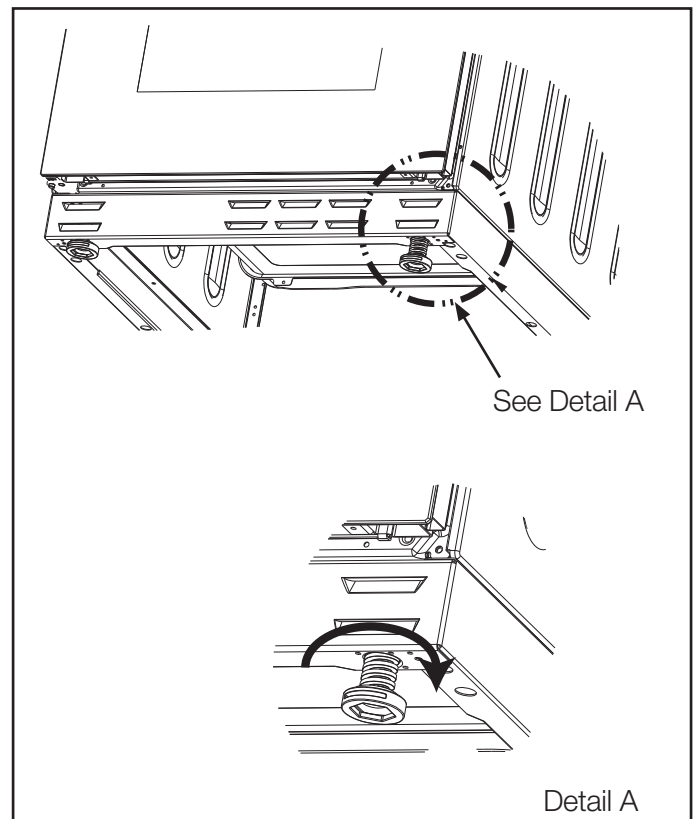


Figure 2

Gas connection

The connection of the appliance should be performed in accordance with local and international standards and applicable regulations.

You can find the information related to appropriate gas types and appropriate gas injectors in the Technical Specifications of the Operating Instructions.

If the gas pressure used is different to the values in the Technical Specifications or the gas supply pressure is not stable, the gas inlet requires a pressure regulator.

You must contact your authorised service agent to make these changes.

Flexible hose connection

If the appliance is to be connected to the gas inlet with a flexible hose, the following **must** be observed:

- The flexible hose must be secured with a pipe collar.
- The flexible hose must not exceed 1.5m in length and should be kept as short as possible.
- Inspect the flexible hose prior to installation and annually for signs of damage including ruptures, bends or folds. **Do not** use damaged hoses.
- Make sure the flexible hose is located away from sharp objects.

WARNING – Do not use naked flames or sources of ignition to perform leak tests.

- All connections including the flexible hose must be leak tested using a suitable fluid.

IMPORTANT – Make sure all metal connections are free from rust. Rust may pose a potential source of ignition.

Fixed gas connection

The appliance is supplied with the most common parts required to connect the appliance to a fixed gas connected.

Additional spares can be supplied by calling the Customer Helpline on **0345 257 7271**

If the appliance is to be connected to the gas inlet using a fixed gas connection, the following **must** be observed:

- The nut on the gas manifold **must** always remain in a fixed position. Only rotate mating parts.
- Use the correct size tools for all connections.
- Only the supplied seals should be used. **Do not** use plumbing seals to make connections.

Alternative supplies

The appliance is equipped for connection in the country of manufacture. This is indicated on the rating plate of the appliance.

If the appliance is to be used in another country, the alternative connections shown in figure 3 may be used. **You must** only use the alternative connections designed for the selected supply.

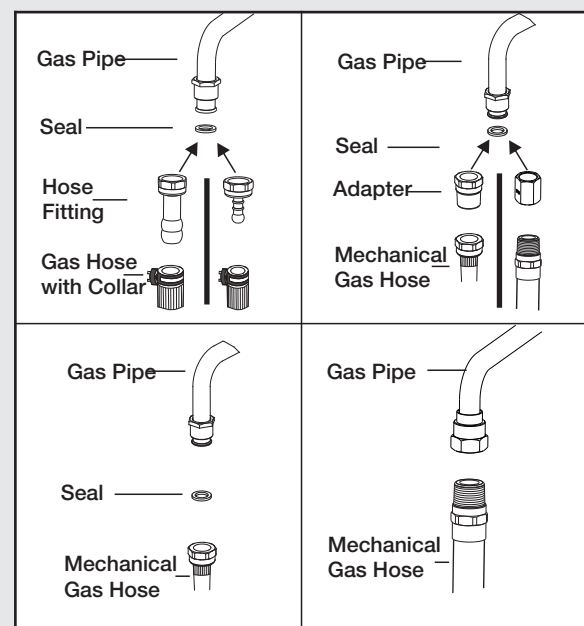


Figure 3

Electrical connection

IMPORTANT – Electrical connections must be carried out by a suitably qualified person and in accordance with all relevant local building and installation regulations.

Electrical connections

1. This appliance is fitted with fused plug which should be inserted into a suitable mains socket.
2. It is recommended that the mains socket is located behind the appliance and is switched on and off via a separate switched Fused Connection Unit (FCU).
3. It is recommended that the switched FCU is located adjacent to the appliance within a maximum distance of 2m. The switched FCU must not be located above the appliance but should be easily accessible in case of an emergency.

Securing the oven

To prevent the appliance tilting a stability chain should be connected to the rear of the appliance. The stability chain is not supplied with the appliance.

1. Remove the screw on the rear of the appliance as shown in figure 4.
2. Align the stability chain with the screw hole.
3. Refit the screw to the rear of the appliance.
4. Secure the opposing end of the stability chain to a wall using a suitable fastener

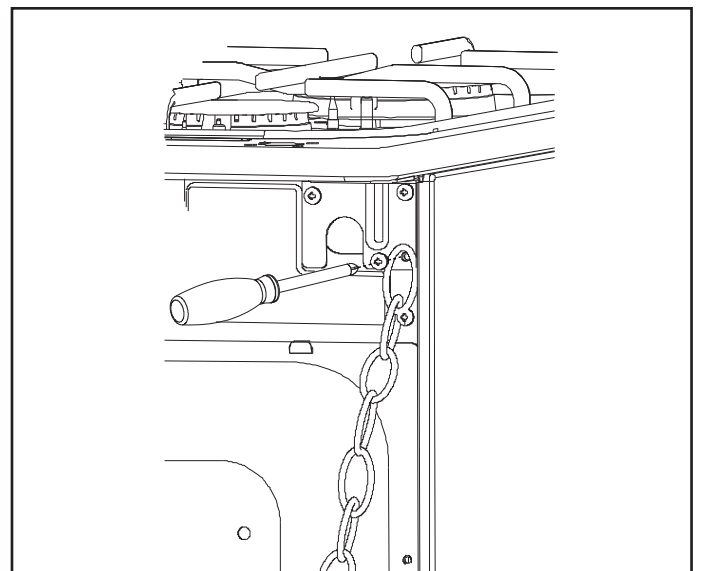


Figure 4

Gas conversions

WARNING - Gas conversions must only be carried out by suitably qualified personnel.

The appliance can be converted to operate on LPG by replacing the appliance's injectors and adjusting the minimum flame length.

Replacement injectors are supplied as part of the gas conversion kit.

Changing the hob burner injectors

IMPORTANT - The following procedure must be performed on each hob burner.

1. Disconnect the Gas supply and mains electricity supply from the appliance.
2. Remove the hob cap and adapter.
3. Using a 7mm spanner, unscrew the injector as shown in figure 5.
4. Select an appropriate injector for the desired gas using the information chart supplied with the gas conversion kit.
5. Fit the replacement injector to the appliance and tighten using a 7mm spanner.
6. Refit the hob cap and adapter.

Changing the grill injector

1. Open the grill door and locate the retaining screw on the tip of the grill burner as shown in figure 6.
2. Remove the screw and withdraw the burner to reveal the injector as shown in figure 7.
3. Using a 7mm spanner, unscrew the injector.
4. Select an appropriate injector for the desired gas using the information chart supplied with the gas conversion kit.
5. Fit the replacement injector to the appliance.
6. Refit the burner and screw.

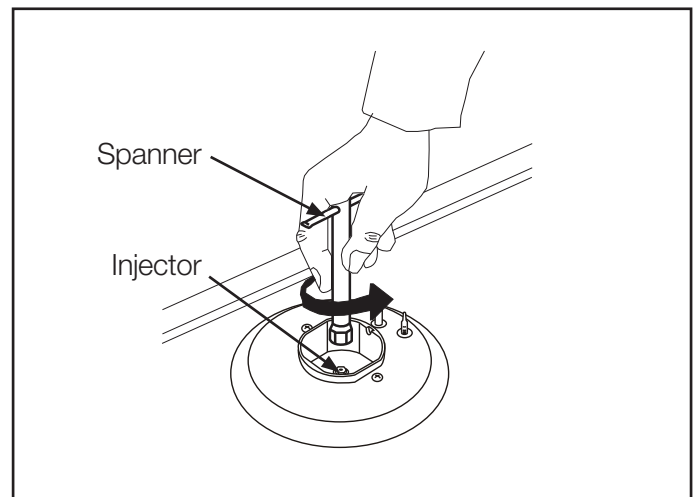


Figure 5

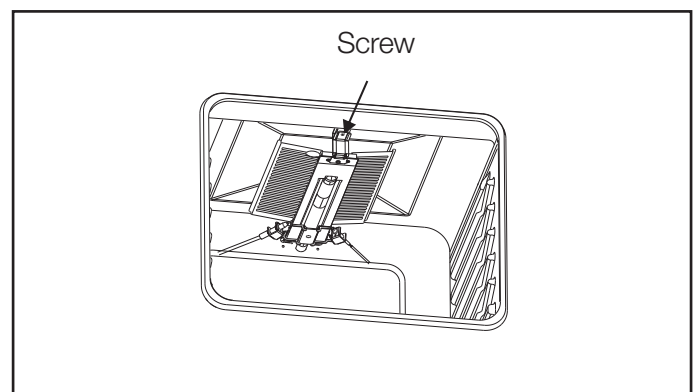


Figure 6

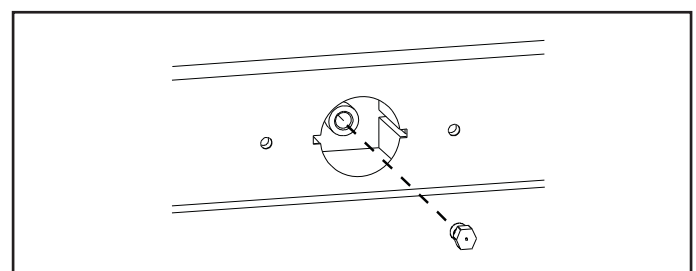


Figure 7

Changing the oven injector

1. Open the oven door.
2. Pull the retaining clip to the left to release the oven burner from its cradle as shown in figure 8.
3. Locate the injector on the right hand side of the cradle as shown in figure 9.
4. Using a 7mm spanner, unscrew the injector.
5. Select an appropriate injector for the desired gas using the information chart supplied with the gas conversion kit.
6. Fit the replacement injector to the appliance.
7. Refit the burner and screw.

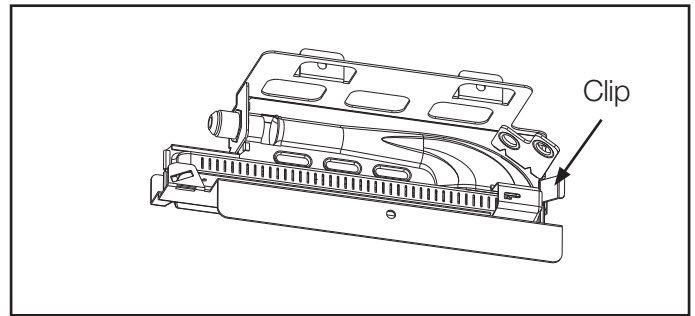


Figure 8

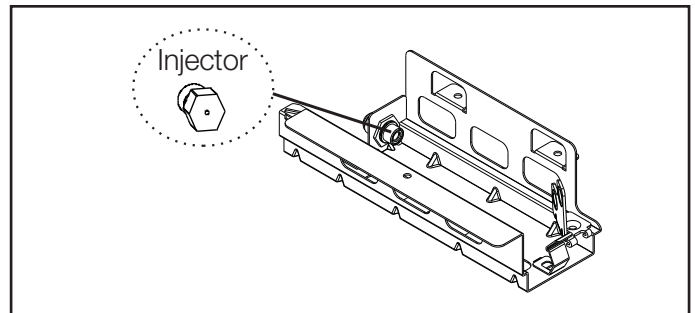


Figure 9