

mamas & papas®

pushchair / stroller

silla de paseo

poussette



x1



<15m

ZMAG_0485_0316_V1

© Mamas & Papas Ltd. 2016



zoom



Thank you for ordering from Mamas & Papas.

For over 30 years, we have been committed to creating a world of quality, individuality and style for parents around the world. At the very beginning we were inspired by our daughters — now we see them all grown up, with children of their own, helping us to share our passion for parenting to their generation of Mums and Dads. We hope you enjoy exploring our new collection and wish you a very warm welcome to our world.

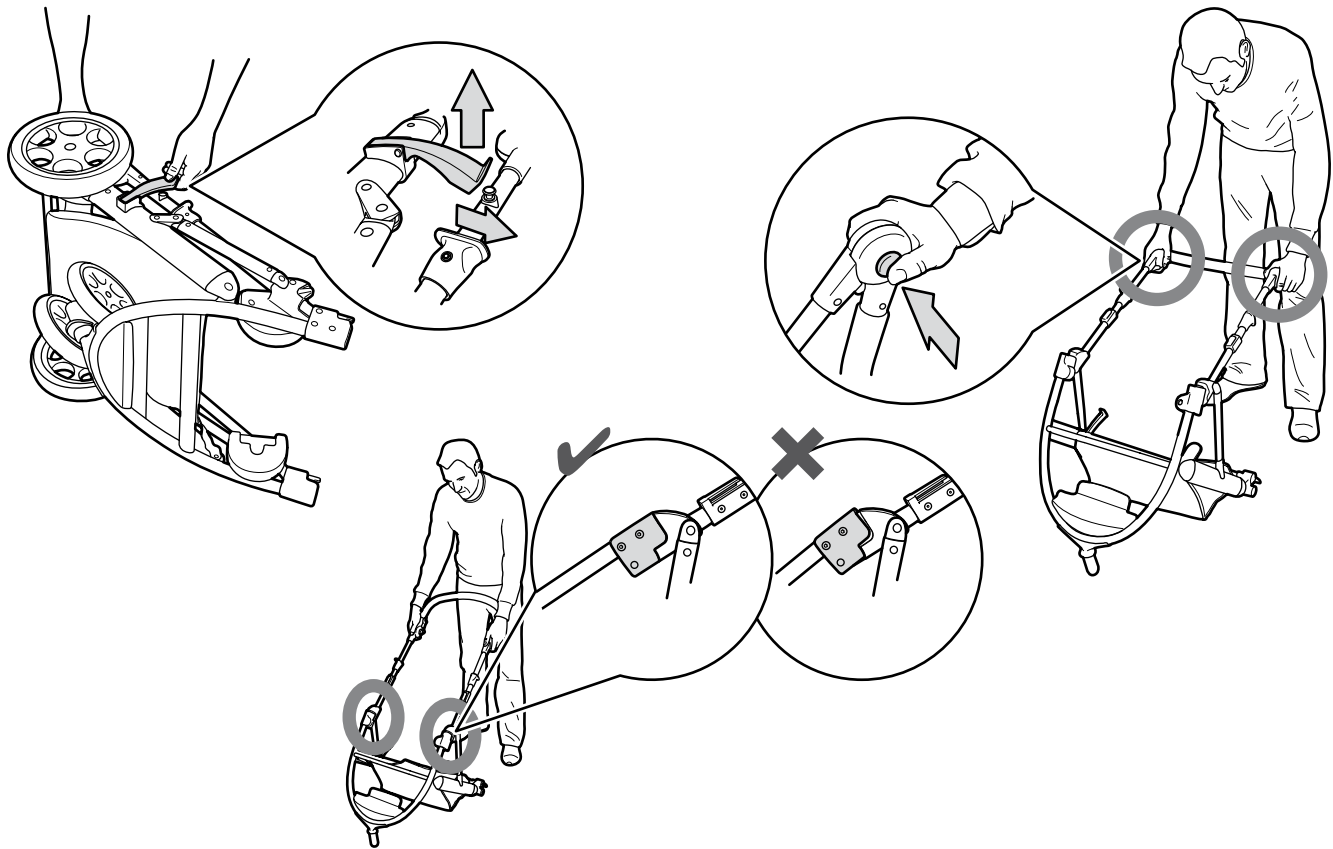
We are committed to designing and developing products to the highest standards, for your family to enjoy and we welcome any feedback or comments you may have.

The Mamas & Papas Family.

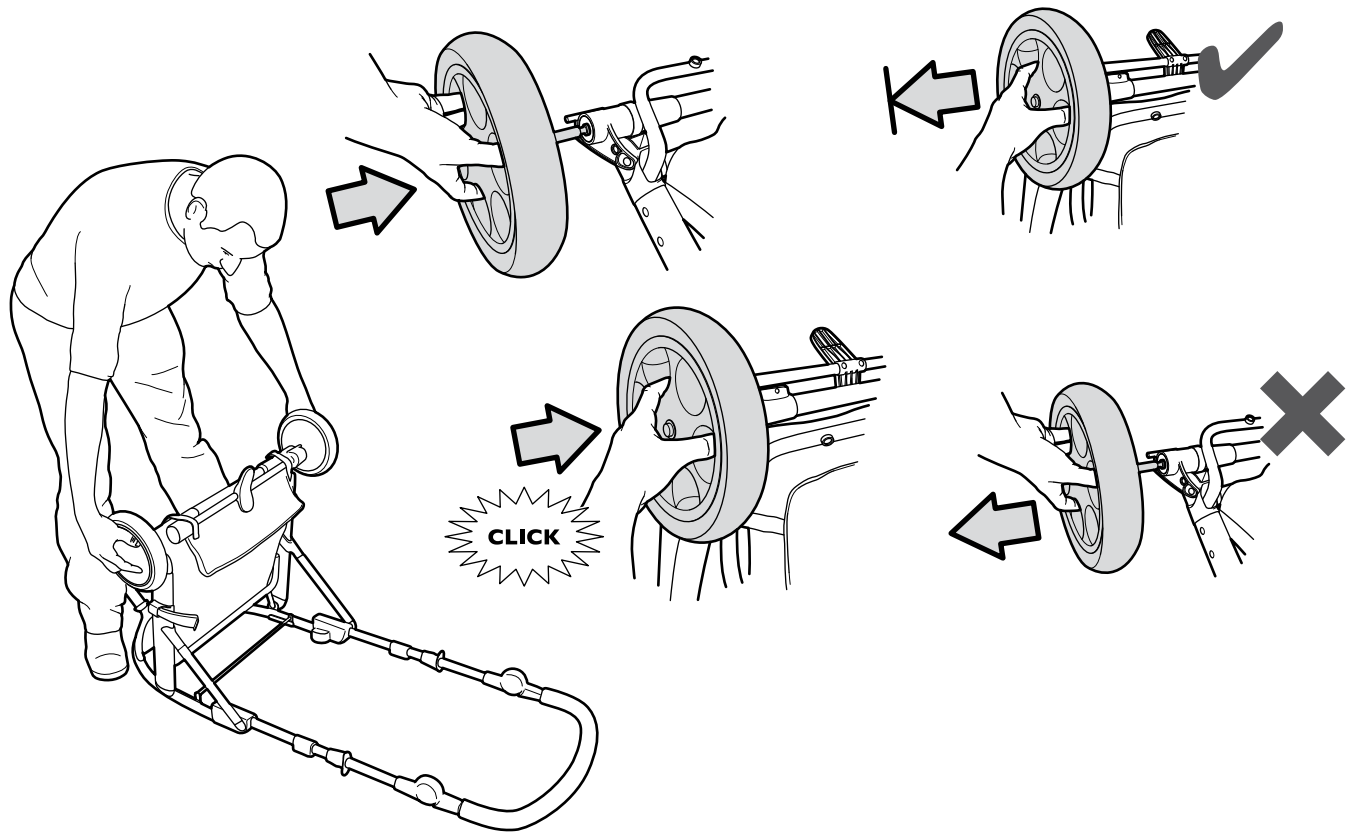
**IMPORTANT — KEEP THESE
INSTRUCTIONS FOR
FUTURE REFERENCE.**



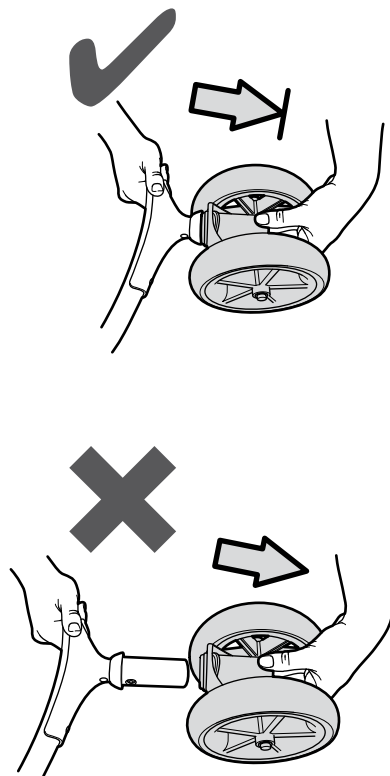
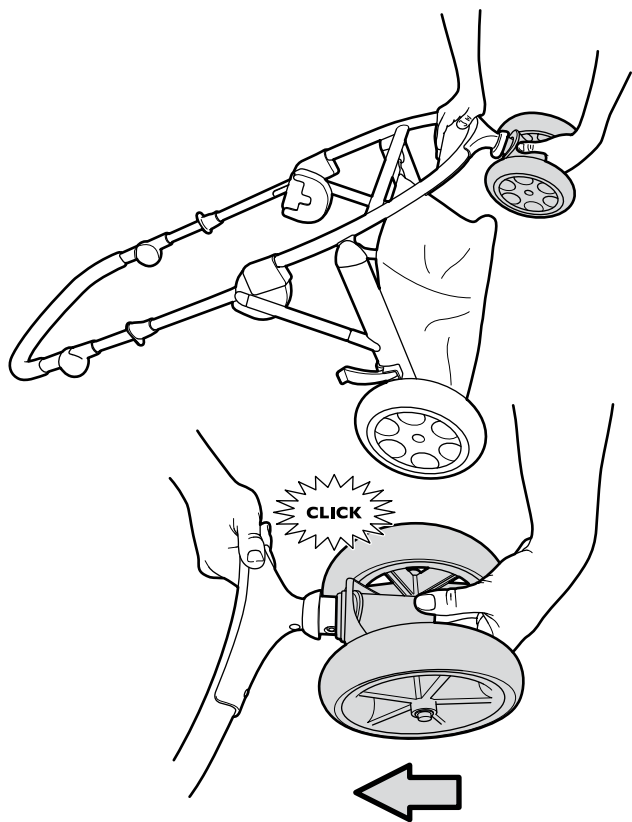
Unfolding the pushchair



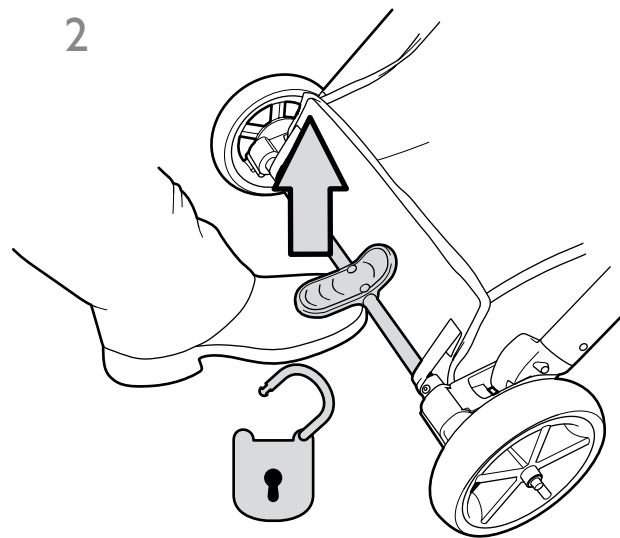
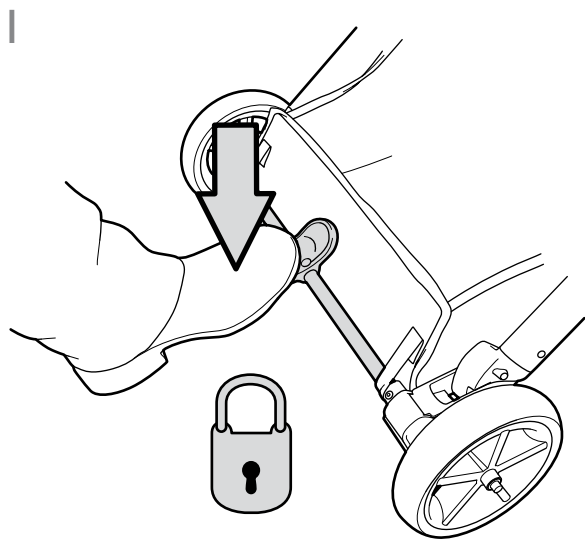
Fitting the rear wheels



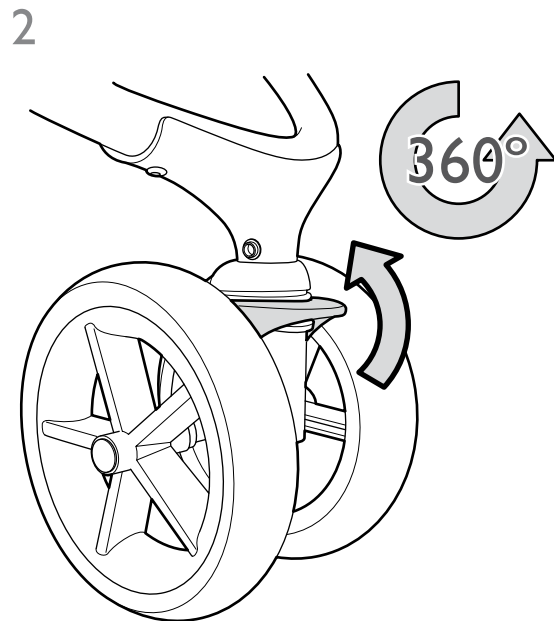
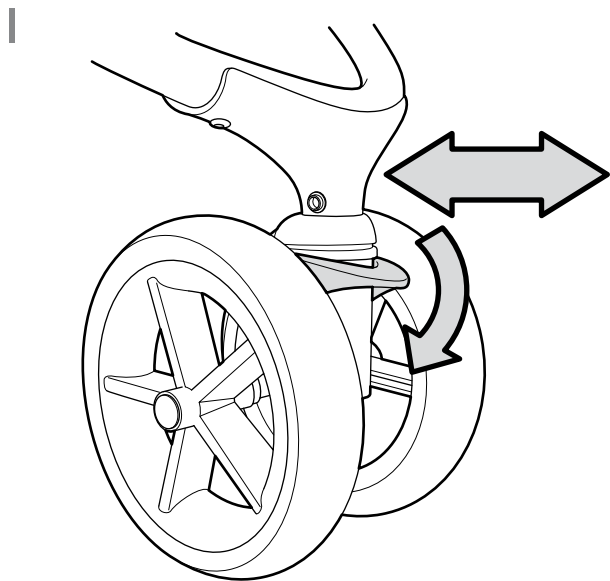
Fitting the front wheels



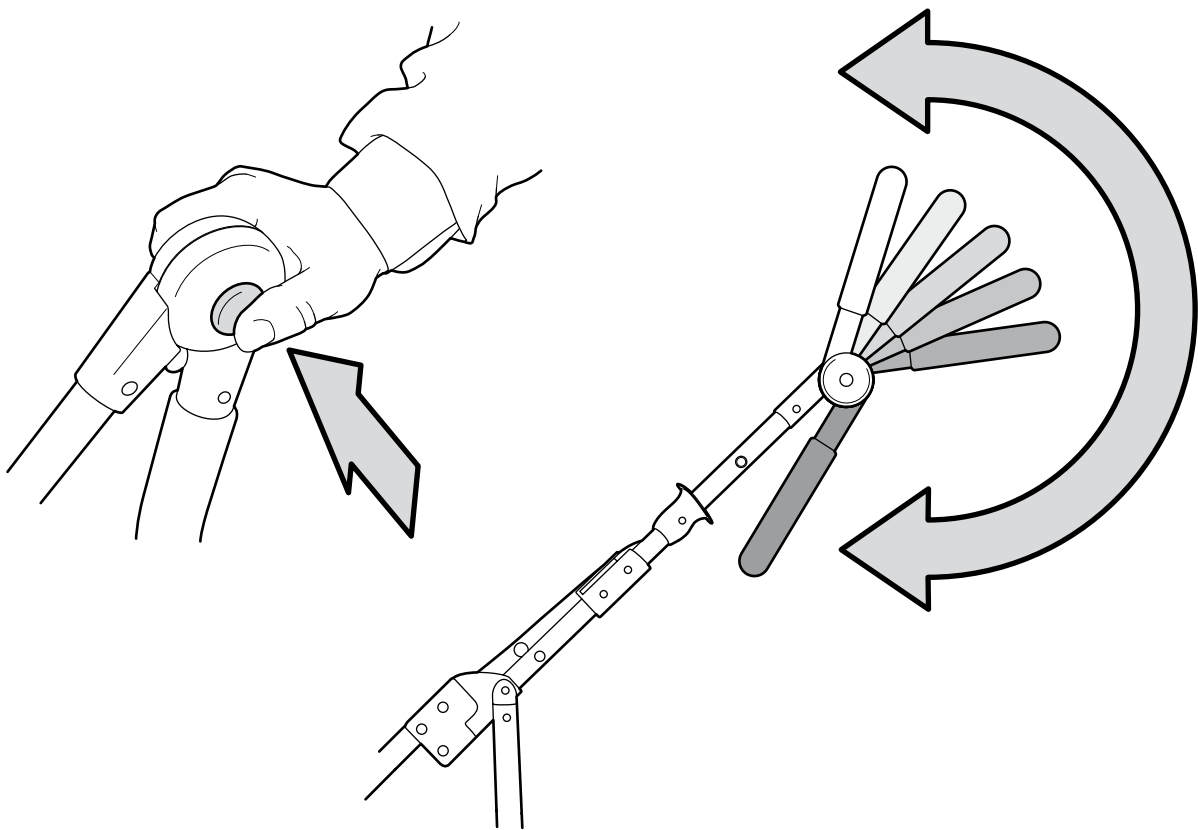
Using the brakes



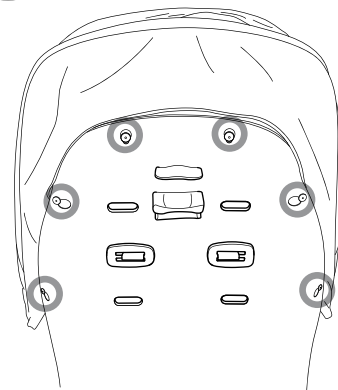
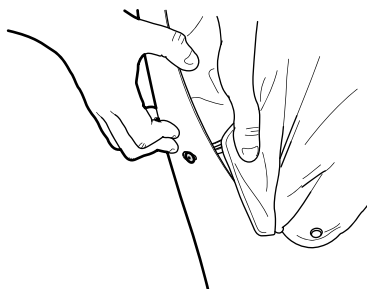
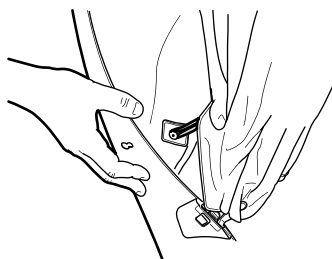
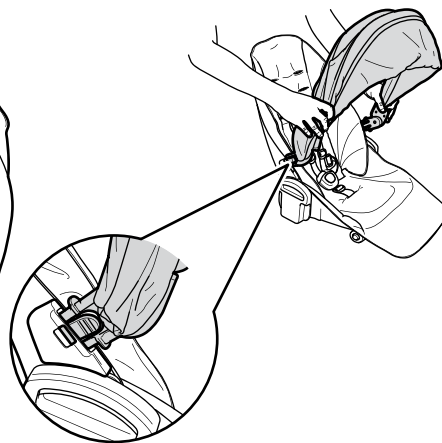
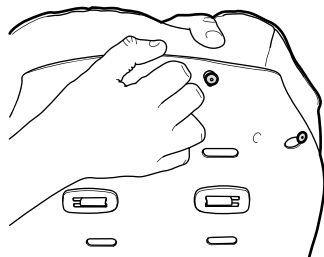
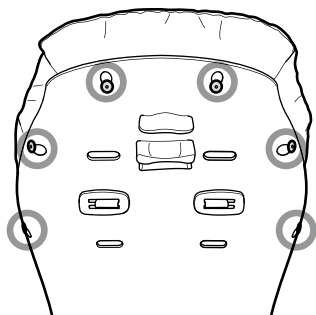
Using the swivel wheels



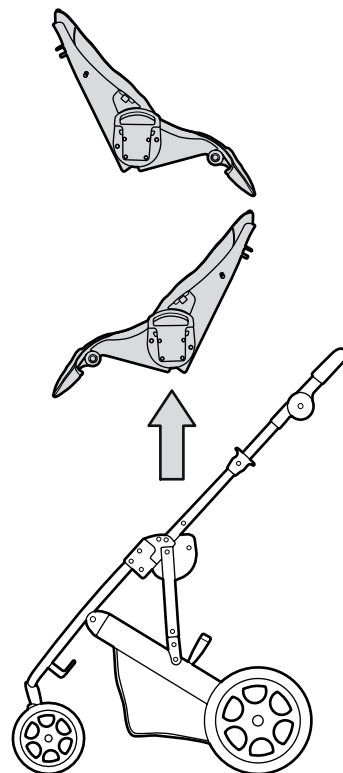
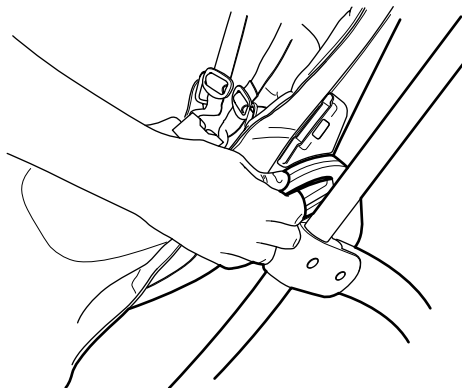
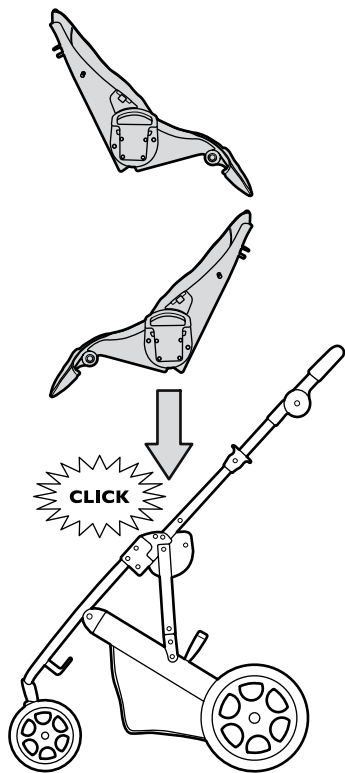
Adjusting the handle



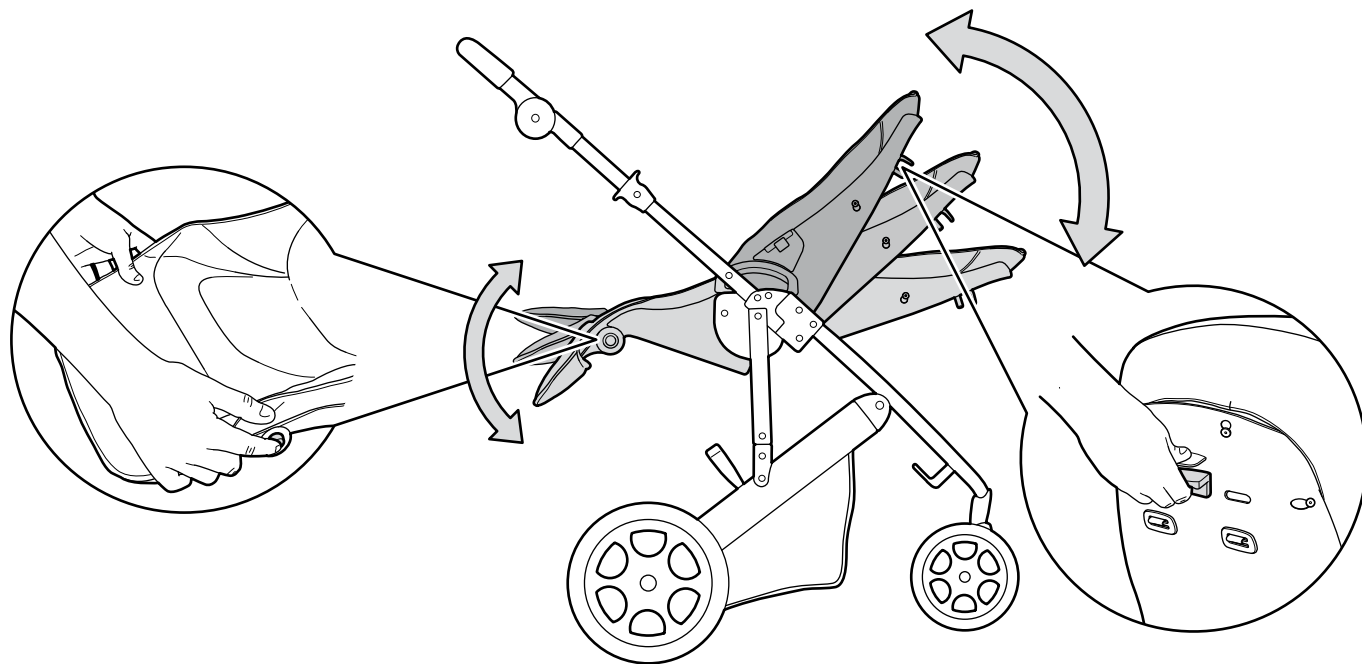
Fitting the hood



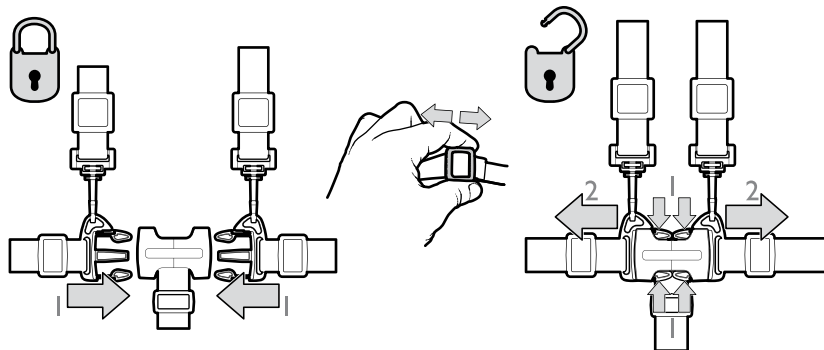
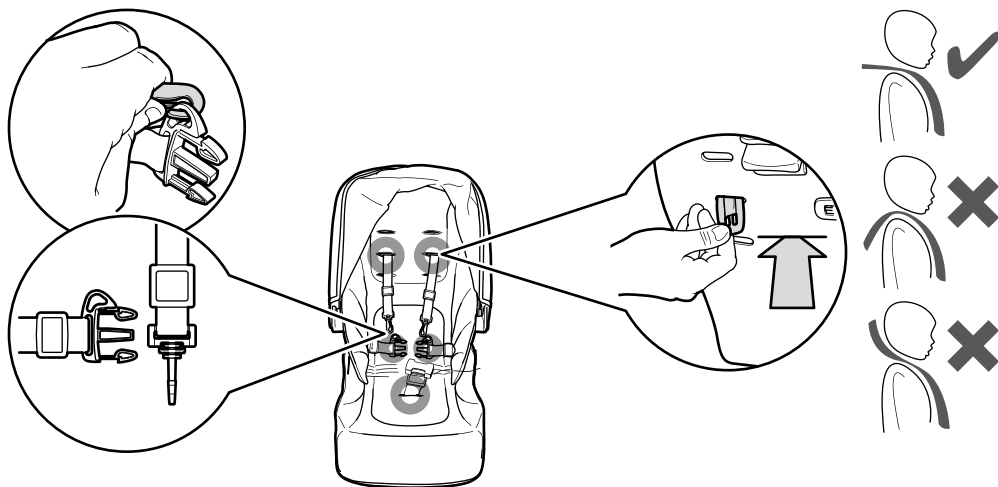
Fitting and removing the seat unit



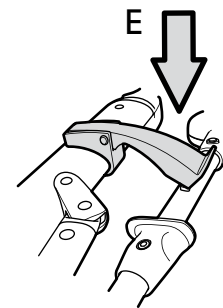
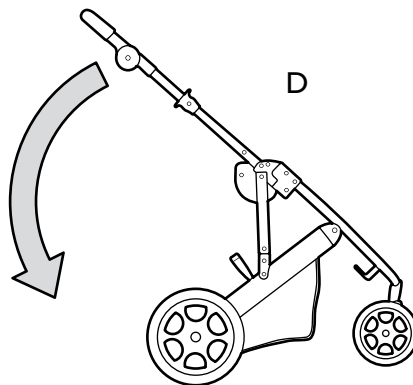
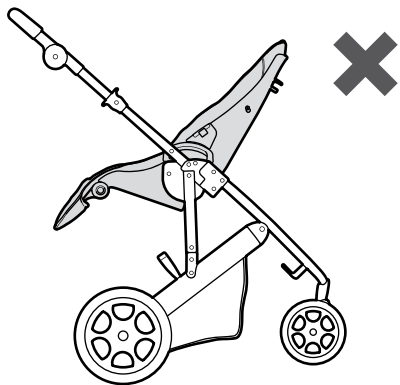
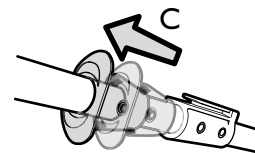
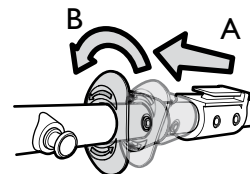
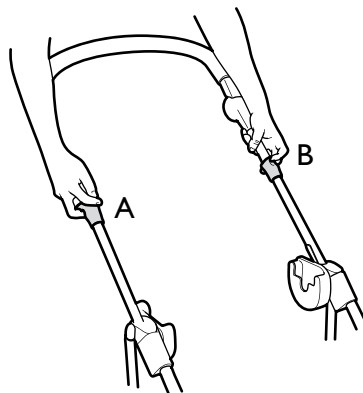
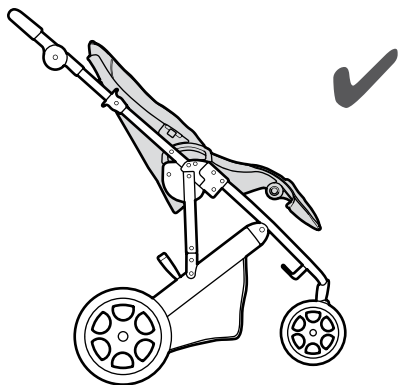
Adjusting the legrest and backrest



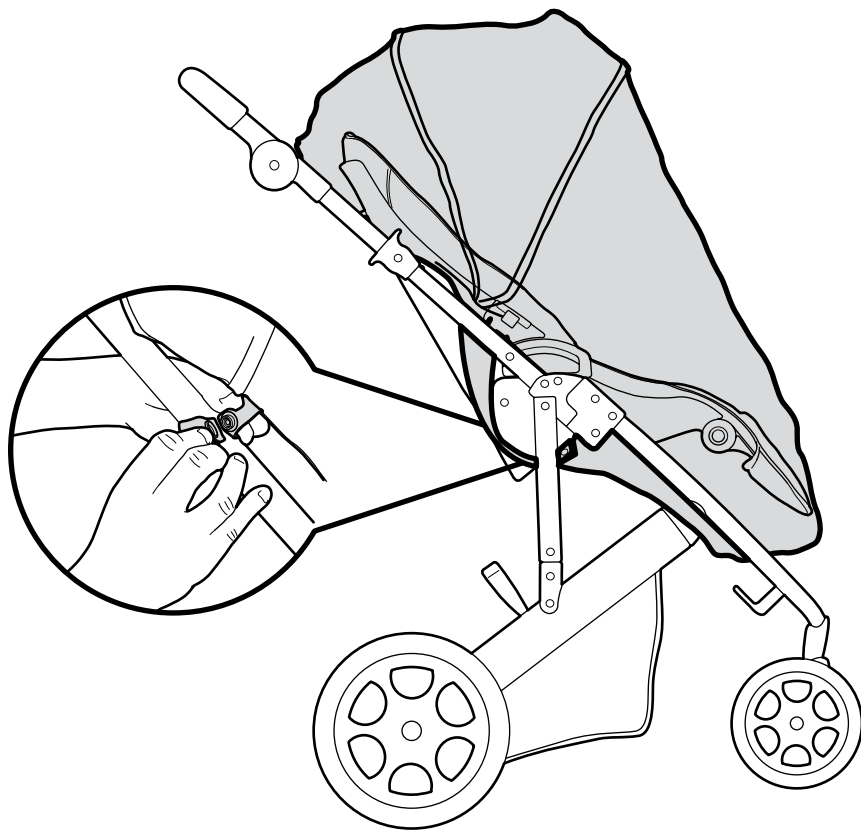
Using the harness



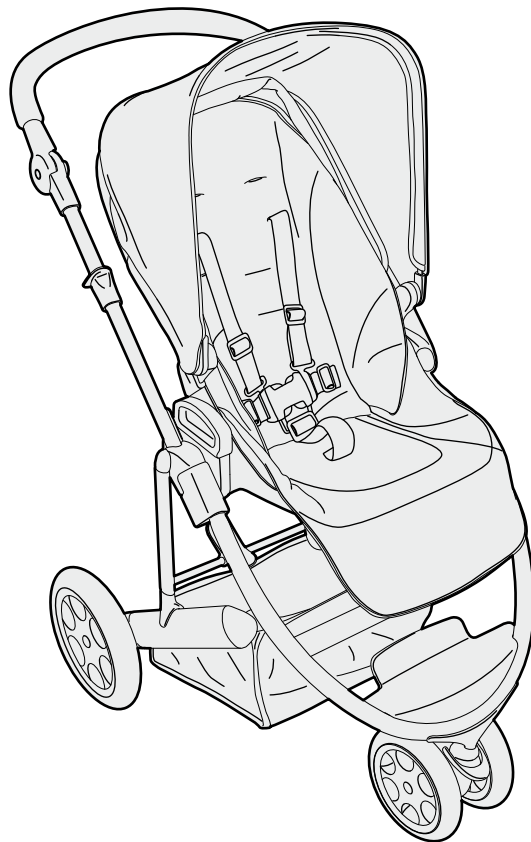
Folding the pushchair



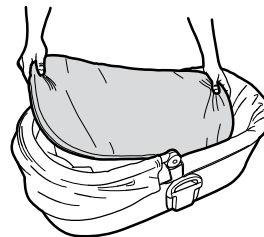
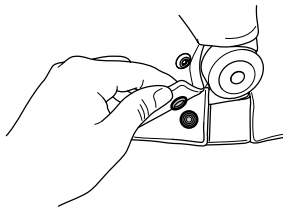
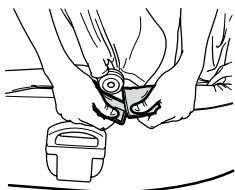
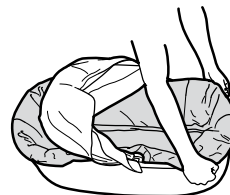
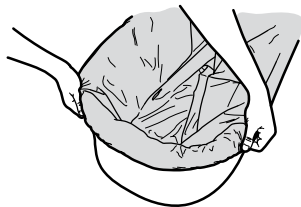
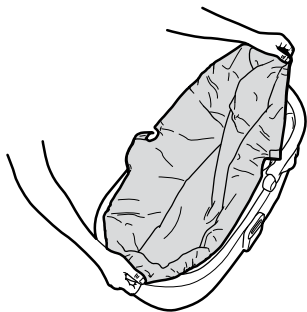
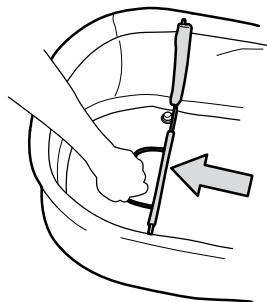
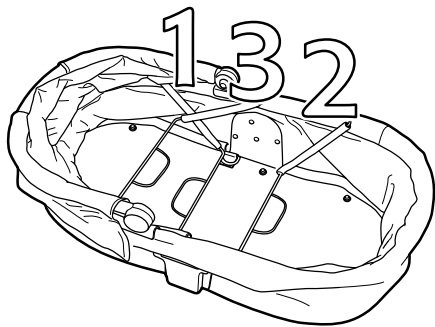
Using the raincover



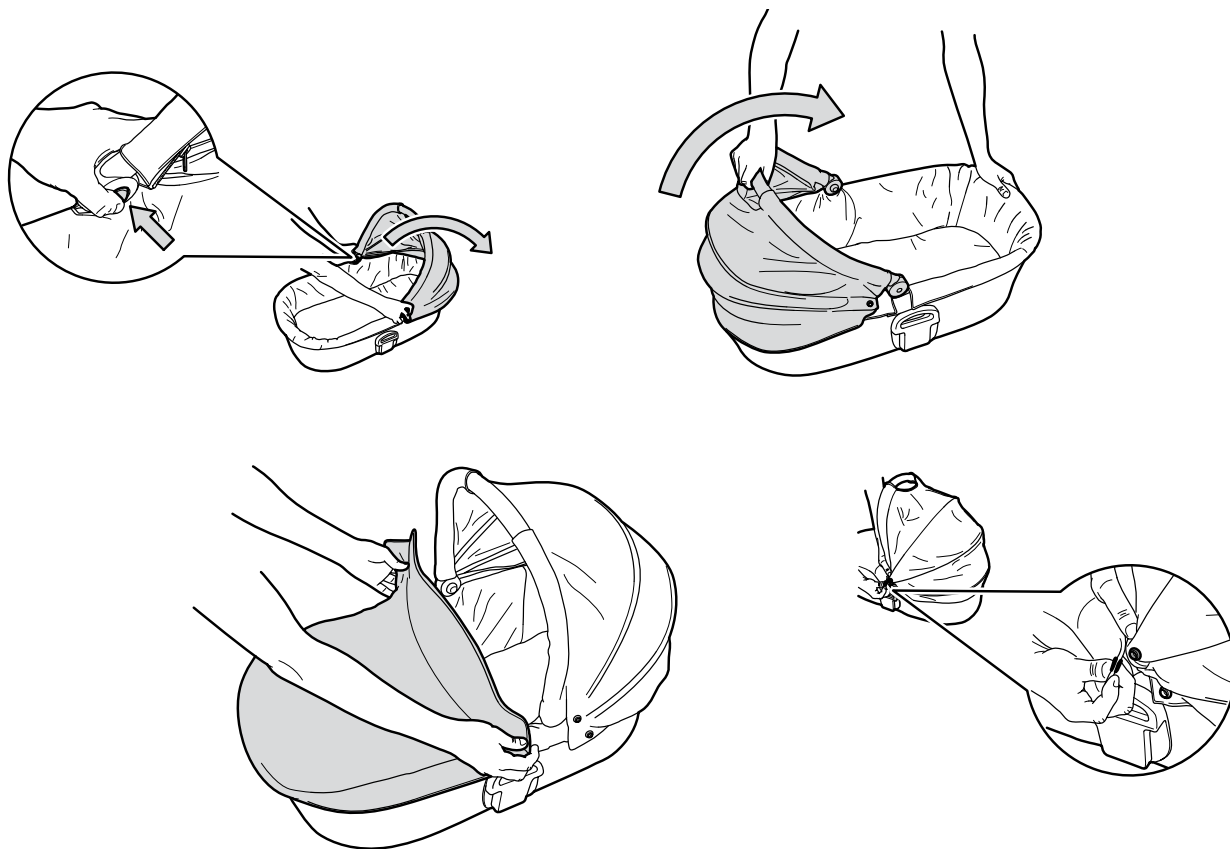
Complete pushchair



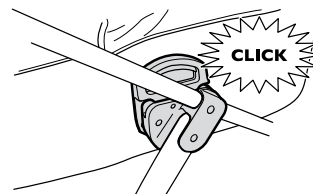
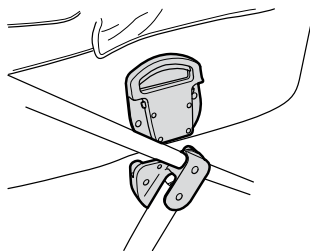
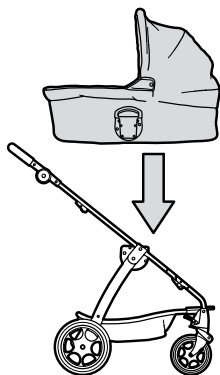
Assembling the carrycot



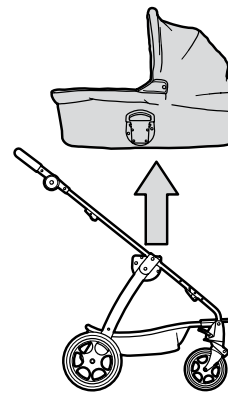
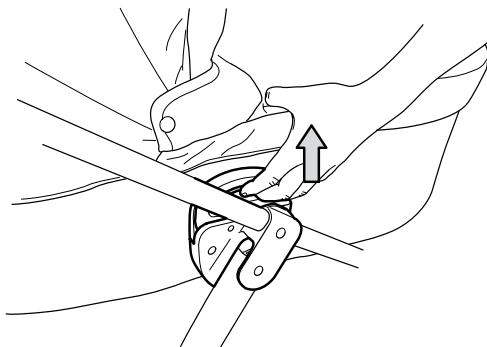
Using the hood and attaching the apron



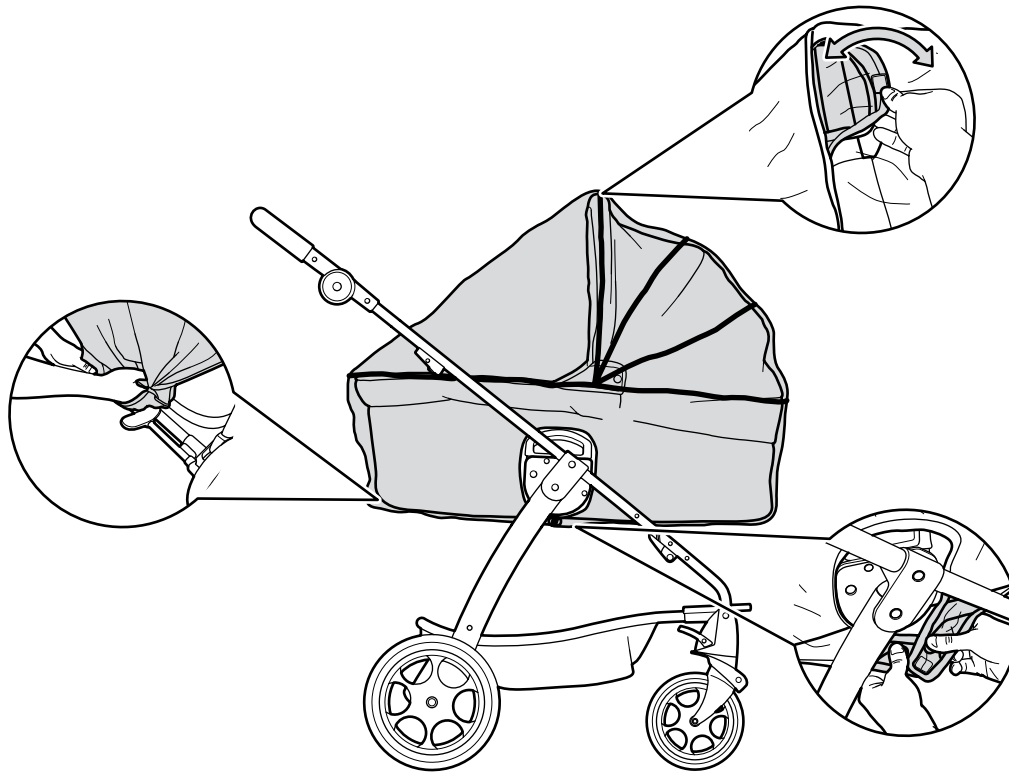
Attaching the carrycot



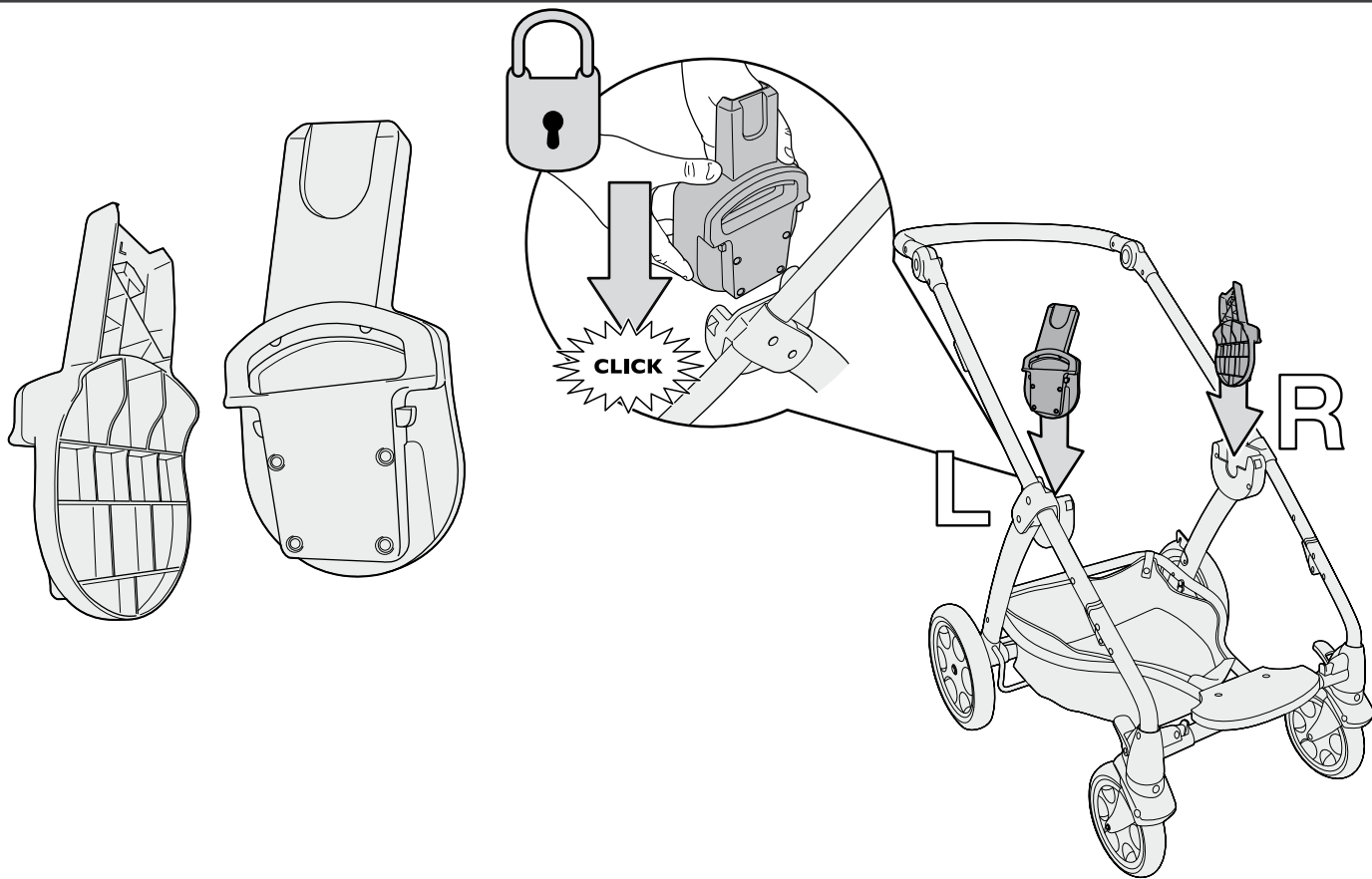
Removing the carrycot



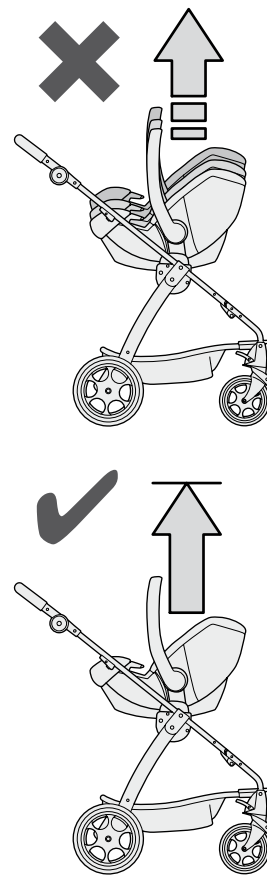
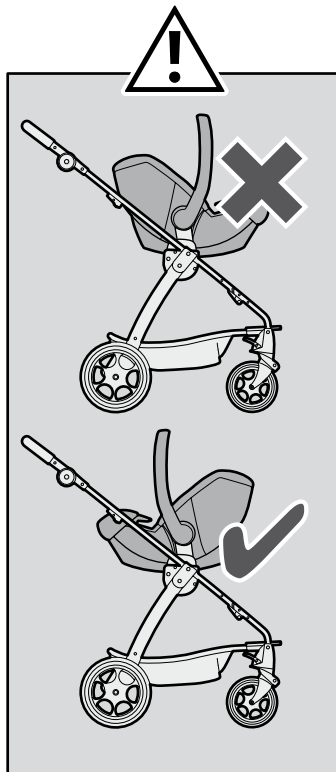
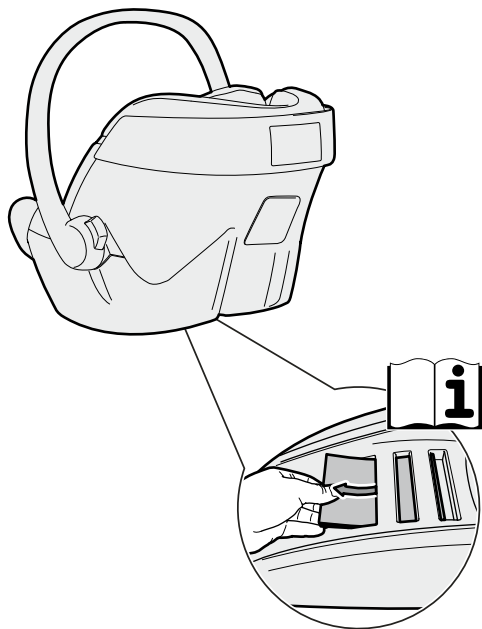
Using the raincover with the carrycot



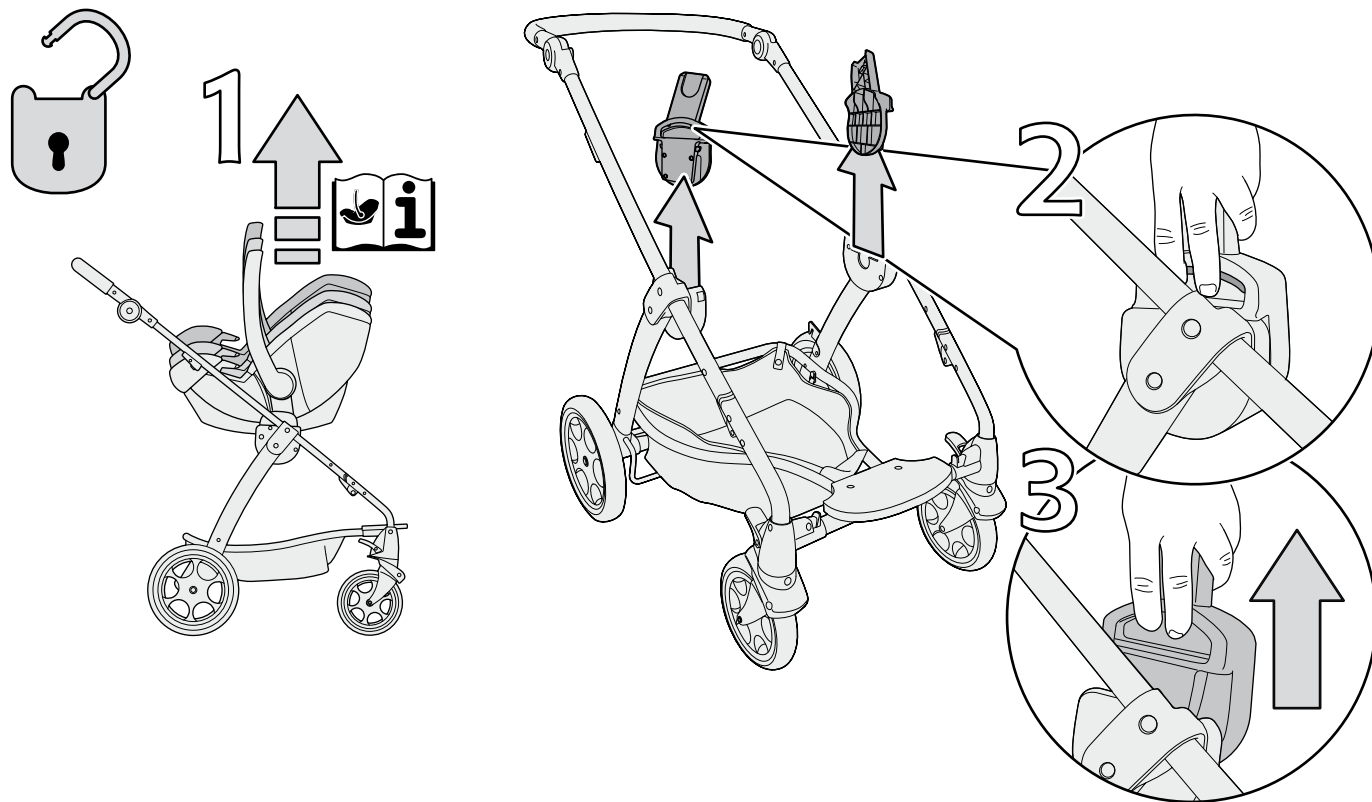
Attaching the car seat adaptors



Fitting the car seat



Removing the car seat and adaptors



Care and Maintenance

- A pushchair has many moving parts, and surfaces which move against each other, over time these surfaces can become dry or even attract dirt or dust. By simply cleaning your pushchair chassis on a regular basis and lightly spraying the moving parts with a silicon spray your pushchair will fold and push better for longer.
- Different environments can present different challenges to your pushchair, a visit to the beach can increase salt corrosion to parts, but so too can a wet or snowy day, so again by cleaning and lubricating your pushchair you can help fight the effects of the environment on your pushchair.
- When a pushchair is in use, with all its locking mechanisms in place, its a solid rigid item designed for carrying your child. However, when folded its the exact opposite, impacts can knock it out of alignment, or putting things on top of it could twist it out of shape, so we recommend taking a little more care with it when folded for storage.
- Hanging bags on the handles of the pushchair not only creates a risk of tipping, but it can also cause excessive and uneven wear, as weight here causes the chassis to twist as handles are not designed to be a load bearing part.
- Just as with extra weight in the basket, or bags on handles, the use of a buggy-board reduces the life of your product by increasing the weight on the product, but by also putting weight and strain onto parts in a direction they were not designed to experience. Consequently use of these products invalidates the warranty on pushchairs.
- Fabric care: All the Mamas & Papas pushchairs fabrics are shower resistant. Should your pushchair become wet, do not fold the hood or apron when you take it inside. Always allow the fabrics to dry naturally away from strong heat sources such as fires, radiators and out of direct sunlight.
- Whilst fabrics are carefully selected and tested, washing, wear and normal exposure to bright sunlight may cause their colour to change.
- The exposed edges of fabrics are often the first to wear and fray, remember this when storing or transporting your pushchair and accessories.
- Light soiling to the pushchair can be removed with a damp sponge and a mild detergent. The fabric cover can be sponged clean using a mild detergent if necessary.

PUSHCHAIR

The safety standards and testing methods may vary in different countries and regions. Depending on the individual country or safety standard specific warnings may apply.

- In Europe this vehicle is intended for children from birth up to 15kgs. (3 years approximately).
- The maximum height of a child this product is designed to carry is 109cm/43".
- This pushchair is designed to carry up to 1 child only. Never allow additional children to ride on the pushchair.
- Always use the most reclined backrest position for new born babies.

WARNING:

- Never leave your child unattended.
- Ensure that all the locking devices are engaged before use.
- To avoid injury ensure that your child is kept away when unfolding and folding this product.
- Do not let your child play with this product. Do not allow your child to climb or stand on this product.
- Always use the restraint system.
- Check that the pram body or seat unit or car seat attachment devices are correctly engaged before use.
- This product is not suitable for running or skating.
- Avoid finger entrapment, take care when folding and unfolding the product.
- When making adjustments ensure that all parts of the child's body are clear of any moving parts.
- The use of a car seat with this product does not replace a cot or a bed. Should your child need to sleep, then it should be placed in a suitable pram body, cot or bed.
- Any load attached to the handle affects the stability of the pram/pushchair. Do not carry additional children, parcels, goods or accessories in or on this vehicle except as recommended in the manufacturer's instructions, or the product may become unstable.

CAUTIONS AND HAZARDS.

- **SUFFOCATION HAZARD:** Infants can suffocate. Always make sure there is enough room around your baby's face such that the airflow is not obstructed. Strings can cause strangulation. Do not place items with a string around the child's neck, such as hood strings or pacifier cords. Do not suspend strings over a product or attach string to toys.
- Ensure the parking device is engaged when placing or removing children.
- When child is in the seat unit always use the restraint system.
- Take care when using the stroller on stairs or escalators.
- Do not overload the basket. Maximum weight of 3kg/6.6lbs. Excessive weight may cause a hazardous unstable condition to exist.
- The 'D' rings attached to the rear of the waist belt are for the use of a separate harness.
- Do not use the stroller near open fires or exposed flames.

CARRYCOT

Your child's safety may be affected if you do not follow these instructions

WARNING:

- Never leave your child unattended.
 - This carrycot is only suitable for a child who cannot sit up unaided, roll over and cannot push itself up on its hands and knees. Maximum weight of the child 9kg/20lbs.
 - The maximum height of the child permitted in this carrycot is 70cm/27.5inches.
 - This product is designed to carry one child and to be used with the Zoom chassis only.
 - Avoid finger entrapment, take care when folding and unfolding the product.
-

WARNING:

- Ensure that the brakes are engaged before loading or unloading the stroller.
- Ensure that all locking devices are engaged before use.
- To avoid injury ensure that your child is kept away when unfolding and folding this product.
- Check that the pram body attachment devices are correctly engaged before use.
- No additional mattress shall be added, if you require a replacement mattress please contact your product retailer. The mattress must always be placed with the textile opening facing down.
- Only use on a firm, horizontal level and dry surface.
- Take care when using the stroller on stairs or escalators.
- FALL HAZARD: Child's movement can move carrier. Never place carrier near edges of counter tops, tables, or elevated surfaces.
- Never use this carrier as a means to transport an infant in a motor vehicle.
- Suffocation Hazard: Infant carrier can roll over on soft surfaces and suffocate child. NEVER place carrier on beds, sofas, or other soft surfaces.
- Always ensure the hood is fully open and engaged before lifting and carrying the carrycot.
- Never use the carrycot on a stand.
- The head of the child in the carrycot should never be lower than the child's body.

CAR SEAT ADAPTOR

IMPORTANT – READ THE INSTRUCTIONS CAREFULLY BEFORE USE AND KEEP THEM FOR FUTURE REFERENCE

WARNING:

- Check that the car seat attachment devices are correctly engaged before each use.
 - Never leave your child unattended.
 - Never use any other model of car seat with these adaptors.
 - Never use these adaptors on any other model of pushchair.
 - This vehicle does not replace a cot or a bed. Should your child need to sleep, then it should be placed in a suitable pram body, cot or bed.
 - Always ensure the parking device are engaged during the loading and unloading of children.
 - Do not let your child play with this product.
 - Always remove the car seat adaptor when not in use.
 - Please refer to the car seat manufacturers documentation regarding age and weight suitability.
 - These adaptors are to be used only with the car seat provided.
-

COMPATIBILITY.

- Only use the Zoom seat unit, Zoom carrycot, car seat adaptor and car seat provided, with the Zoom chassis.
-

SERVICE INFORMATION.

- Do not use any replacement parts or accessories other than those approved by or supplied by Mamas & Papas.
- Wipe all plastic/metal parts clean with a damp cloth using mild soap, dry thoroughly. Light soiling of the seat pad can be removed with a damp cloth and a mild soap.
- Fabric care: All the Mamas & Papas pushchairs fabrics are shower resistant. Should your pushchair become wet, do not fold the hood or apron when you take it inside. Always allow the fabrics to dry naturally away from strong heat sources such as fires, radiators and out of direct sunlight.
- Whilst fabrics are carefully selected and tested, washing, wear and normal exposure to bright sunlight may cause their colour to change.
- The exposed edges of fabrics are often the first to wear and fray, remember this when storing or transporting your pushchair and accessories.
- The car seat adaptor can be cleaned with a damp cloth. Never use harsh abrasives, bleach or strong detergents.



LOT

mamas & papas®

HD5 0RH, UK



mamasandpapas.com
mamasandpapas.ca
mamasandpapas.kr



UK T: +44 (0)345 268 2000
USA T: 1-800-490-0331
CAN T: 1-800-667-4111



/mamasandpapasuk
/mamasandpapasusa
/mamasandpapasmaltairegion
/mamasandpapasmagyarorszag



@mamasandpapas



/user/mamasandpapasglobal



mamasandpapasblog.com



/mamasandpapas



/mamasandpapasuk
/mamasandpapasus



/+mamasandpapas
