

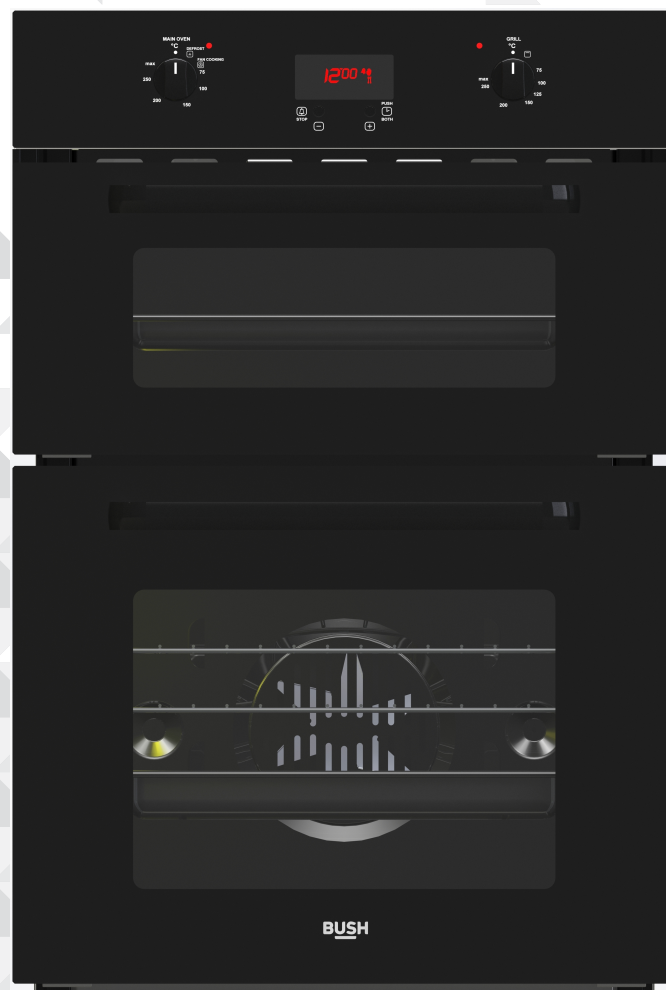
BUSH

Instruction manual

Built-In Double Oven

5499874 Bush BDOBF White

5569144 Bush BDOBF Black



You'll soon be enjoying your new Built-In Double Oven

It all begins here, with your instructions. Don't worry, there's nothing too technical coming up. Just simple, step-by-step guidance to get you up and running quickly. Sound good? Then let's get started.

Help and Guidance

We're here to help you get the most from your Built-In Double Oven. Should you require any guidance, a simple solution can often be found online at:

www.argos-support.co.uk

If you still require further assistance, call one of our experts on **01759 487838**.

Contents

1 Safety information

Safety information 5

2 Getting to know your Built-In Double Oven

Ready? Let's begin 8

Accessories 9

3 Installing your Built-In Double Oven

Installation requirements 10

Unpacking 10

Connections (electrical) 11

4 Using your Built-In Double Oven

First use of Built-In Double Oven 14

Standard and advanced functions/use 16

5 Care and Maintenance

Cleaning 17

Maintenance actions 17

Technical specifications 18

6 Product support

Troubleshooting 19

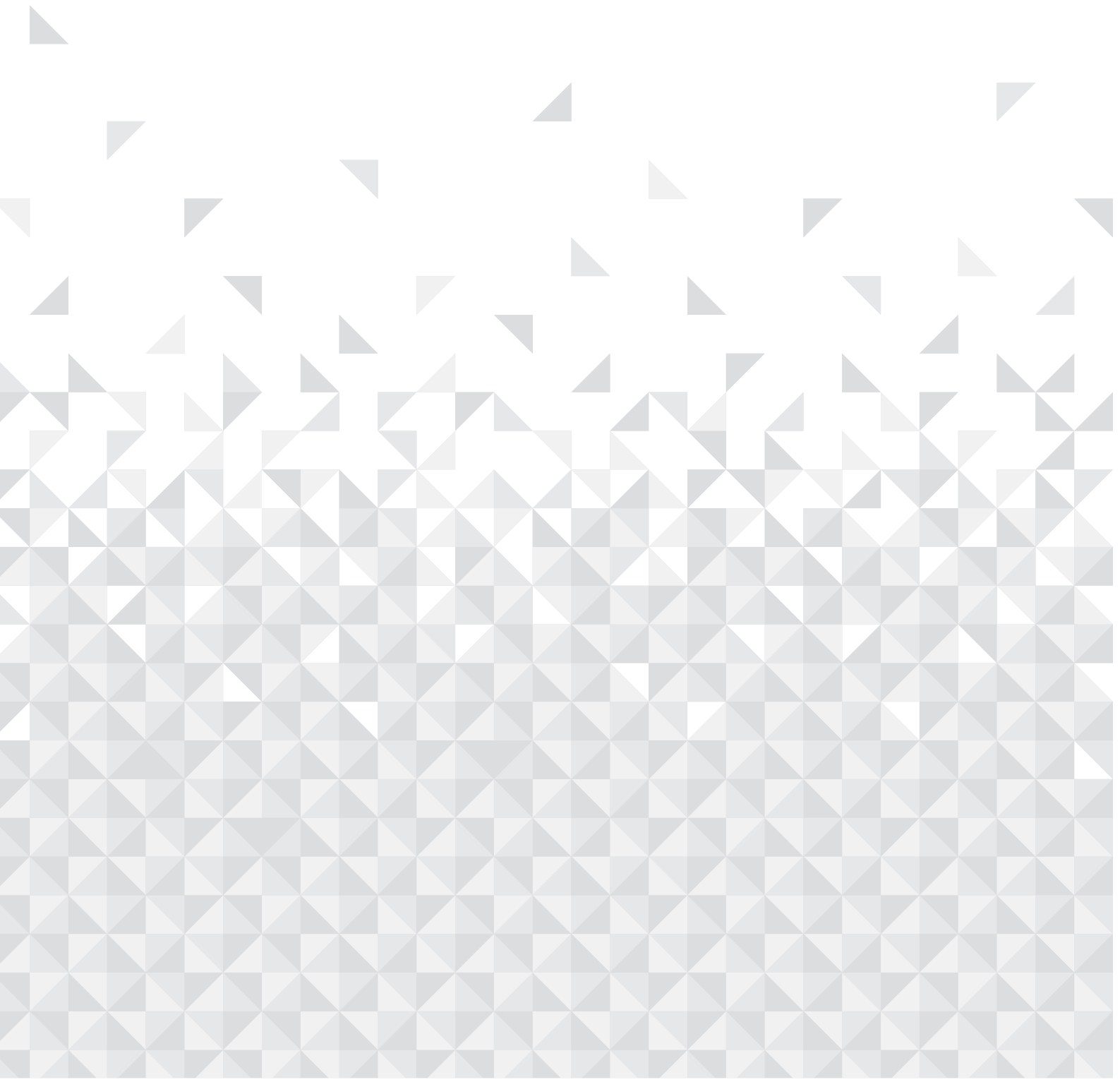
Help and assistance 20

Declaration of conformance to product standards 21

Disposal 22

Guarantee 23

Safety information 1





Safety information

Important - Please read these instructions fully before installing or operating

INSTALLATION WARNINGS

IMPORTANT: This product **MUST** be installed by a qualified installer in accordance with local regulations.

IMPORTANT: This appliance has been designed for non-professional, domestic use only.

IMPORTANT: Carefully unpack and examine the appliance for any damage. If you think there is a defect, do not use the appliance and contact Argos Product Support on **01759 487838**.

IMPORTANT: The oven is supplied setup according to the conditions shown on the rating label which is stuck to the rear of the appliance.

IMPORTANT: Keep the electrical cable (not supplied) of your oven away from the hot areas; do not let it touch the appliance. Keep the cable away from sharp edges and heated surfaces.

IMPORTANT: In the event that the cable connecting your oven becomes damaged, it must be replaced by a suitably qualified person. **This cable must not be replaced by an unauthorised person.**

IMPORTANT: When using the grill the oven door must be kept closed to prevent damage to the oven knobs and to prevent the burn hazard that very hot knobs would present.

IMPORTANT: Children and persons with reduced physical, sensory or mental capabilities or lack of experience and knowledge should not be allowed to use the oven unless supervised and warned of the hazards involved

DURING USAGE

IMPORTANT: Children and persons with reduced physical, sensory or mental capabilities or lack of experience and knowledge should not be allowed to use the oven unless supervised and warned of the hazards involved

WARNING: The appliance and its accessible parts become hot during use. Care should be taken to avoid touching hot parts.

WARNING: NEVER try to extinguish a cooking fire with water. Instead switch off the appliance and cover flame e.g. with a lid or a fire blanket.

CAUTION: Do not allow children in the kitchen when cooking or while oven parts may still be hot. Many parts of the oven will become hot and present a considerable hazard to children.

CAUTION: When the oven is hot never touch the oven glass by hand or with tools.

CAUTION: Before starting to use your appliance, ensure curtains, paper or flammable items are kept away from your appliance. Do not keep flammable materials inside of or around your oven.

CAUTION: Take care when closing the oven door that there is nothing obstructing it from closing as this may break the glass door.

IMPORTANT: When using the grill the oven door must be kept closed.



Safety information

Important - Please read these instructions fully before installing or operating

IMPORTANT: Make sure the oven is turned off when not in use

IMPORTANT: If you do not intend to use your oven for a long period of time turn off the electric supply to the oven

GENERAL SAFETY WARNINGS

IMPORTANT: This appliance has been designed for non-professional, domestic use only. Do not use this oven for commercial use or any other application e.g. room heating

WARNING: Danger of fire: do not store flammable items on or near the cooking surfaces or inside the oven.

IMPORTANT: Do not try to lift or move this oven by pulling on the door handle

WARNING: Ensure that the appliance is switched off before replacing the lamp to avoid the possibility of electric shock.

IMPORTANT: Your appliance is produced in accordance with all applicable local and international standards and regulations.

IMPORTANT: Maintenance and repair work must only be performed by authorized service technicians.

Installation and repair work that is carried out by unauthorised technicians is dangerous and could invalidate your guarantee

IMPORTANT: When the door of the oven is open, do not hang or lean anything on it. You may damage the door or door hinges.

IMPORTANT: Do not hang towels, dishcloths or clothes from the oven handle.

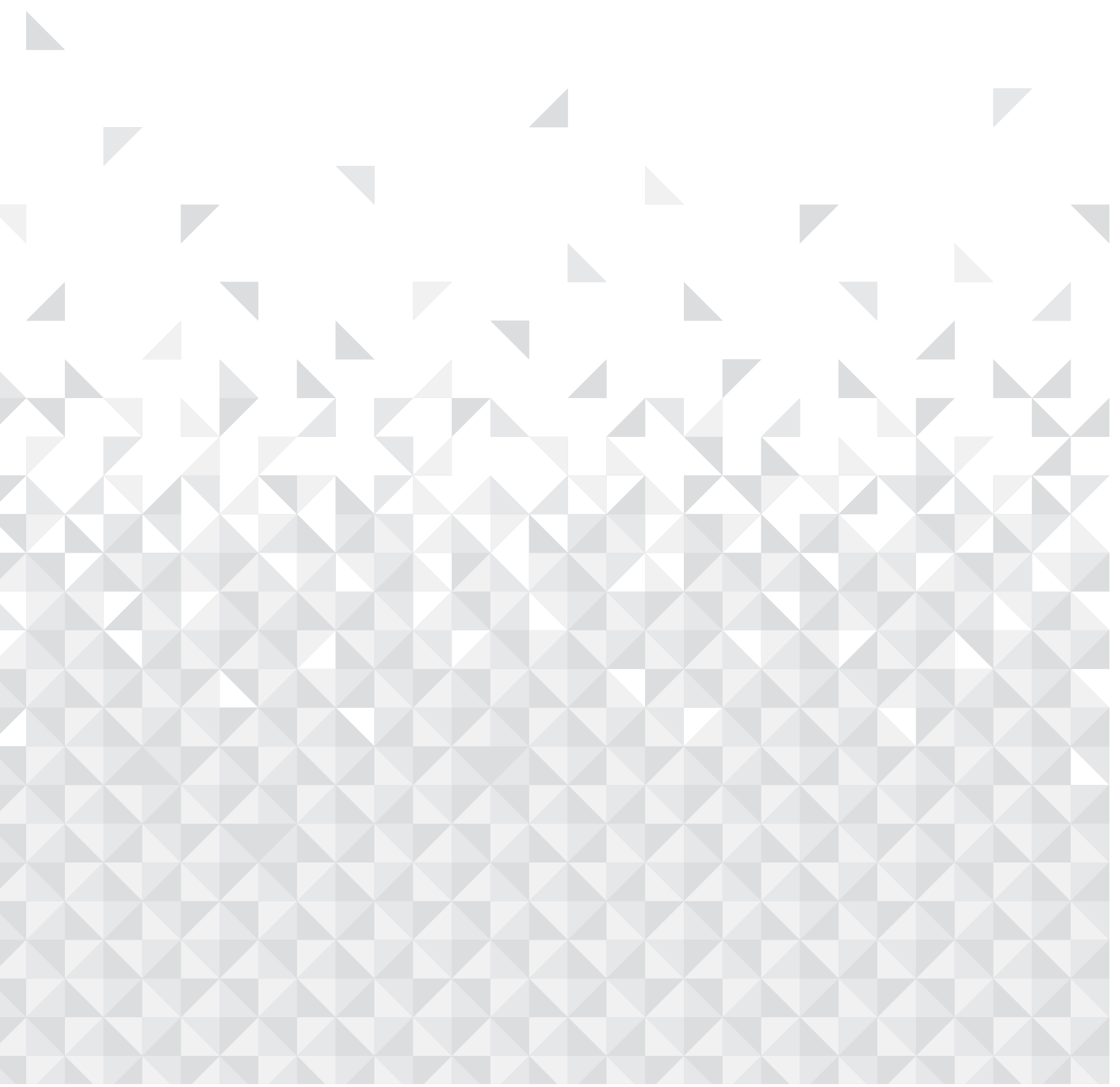
CLEANING AND MAINTENANCE

IMPORTANT: Always turn the appliance off before operations such as cleaning or maintenance. You can do this by switching the oven off using oven isolation switch.

TO MAINTAIN THE EFFICIENCY AND SAFETY OF YOUR APPLIANCE,
WE RECOMMEND YOU ALWAYS USE
OUR AUTHORIZED SERVICE AGENTS AND
ORIGINAL SPARE PARTS.

FOR ASSISTANCE CALL
ARGOS PRODUCT SUPPORT
01759 487838.

Getting to know your Built-In Double Oven 2



Getting to know your Built-In Double Oven

You'll be up and running in no time

Ready? Let's begin...

Please read these instructions carefully. They contain important information which will help you get the best from your Built-In Double Oven and ensure safe and correct installation and operation.

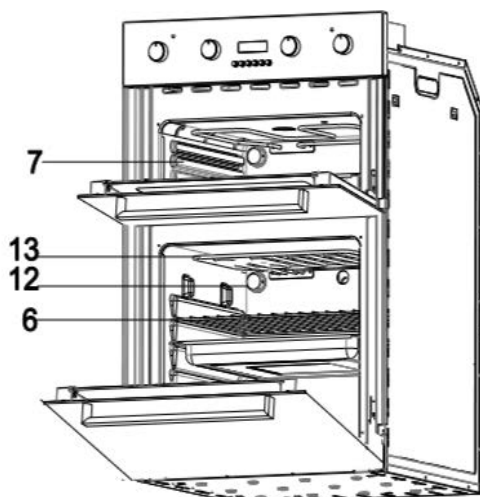
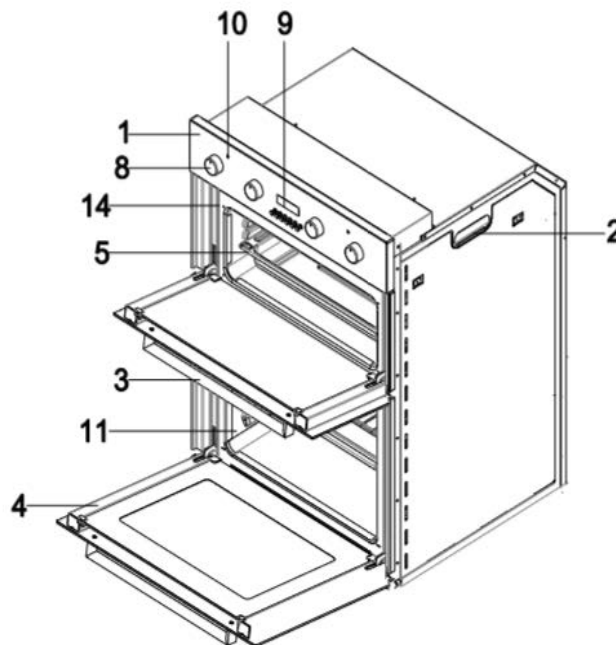
If you require any further assistance, our technical experts are happy to help. For full details, refer to the product support section at the end of these instructions.

Getting to know your Built-In Double Oven

You'll be up and running in no time

Oven Parts

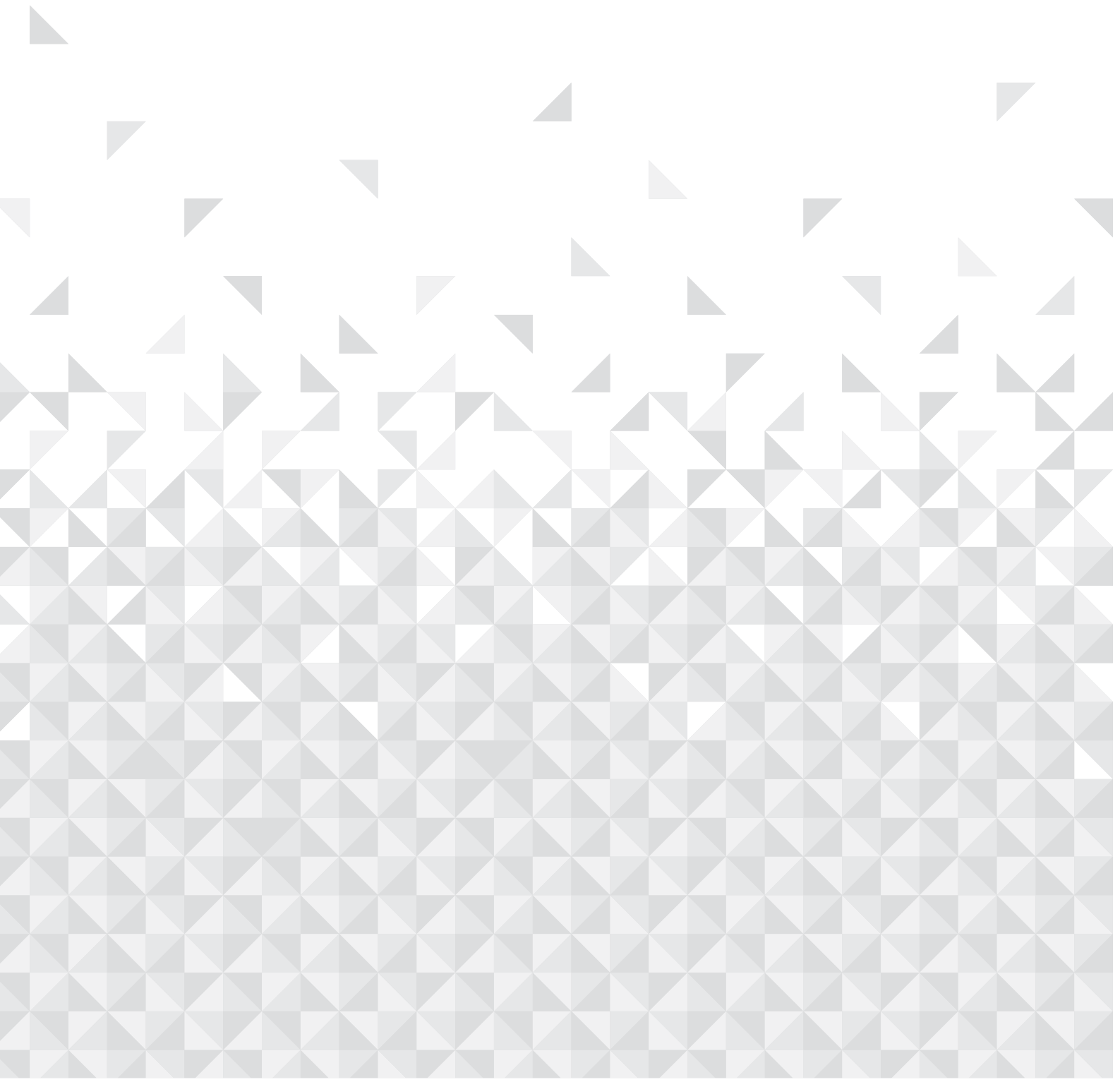
- 1-Control Panel
- 2-Side Handle
- 3-Door Handle
- 4-Oven Door
- 5-Trays
- 6-Wire Shelf
- 7-Tray Supports
- 8-Control Knobs
- 9-Digital Timer
- 10- Indicator Light
- 11- Inner Body
- 12- Oven Light
- 13- Lower Element
- 14- Door Seal



If you require any technical guidance or find that your product is not operating as intended, a simple solution can often be found in the **Troubleshooting** section of these instructions,

Installing your Built-In Double Oven

3



Installing your Built-In Double Oven

Bringing it all together

Installation requirements

THIS OVEN MUST BE INSTALLED BY A SUITABLY QUALIFIED INSTALLER

This modern oven was manufactured with parts and materials of the highest quality and was designed to meet your cooking needs. You should read this manual so that you are able to use the oven correctly and to avoid any potential problems with using the oven. The following information outlines the required rules for correct installation and service of your oven. This is particularly important for the technician who will install the appliance.

Positioning

The furniture close to the oven must be manufactured resistant to temperatures up to 100°C

First Use

IMPORTANT: When using your oven for the first time your oven may give off an unusual odour from the heating elements and insulation materials. This is normal for new ovens. To eliminate this odour run the oven at 250 degrees for 40-60 mins with the oven empty.

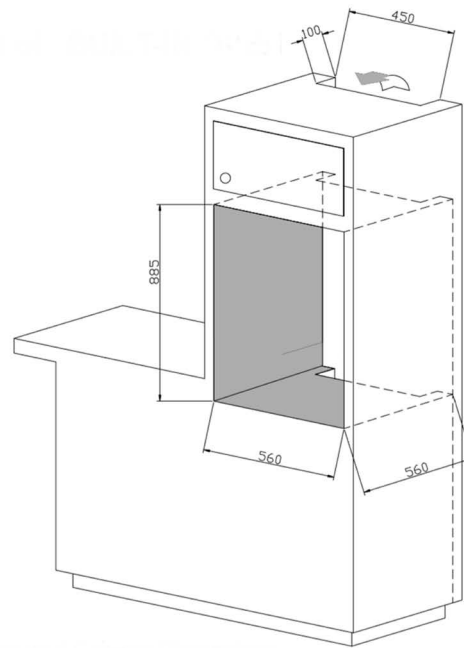
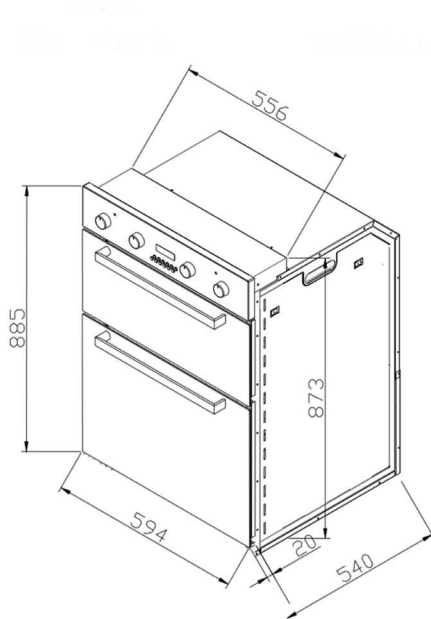
Unpacking

Carefully unpack and examine the appliance for any damage. If you think there is a defect, do not use the appliance and contact Argos Product Support on 01759 487838.

Packaging materials should be collected together and disposed of immediately as they may be harmful to children.

Installing your Built-In Double Oven

Bringing it all together



Connections

Electrical



- **IMPORTANT: Electrical connections must be carried out by a suitably qualified person and in accordance with all relevant local building and installation regulations.**

1. See the rating label at the rear of the product for the appliance's load rating.
2. The oven must be connected to a dedicated circuit suitably rated for the load of the appliance (see rating label at rear of appliance) it must be connected via a suitably rated cable to a double pole isolator oven switch also suitably rated for the appliance.
3. **The electrical cable should not touch the hot parts of the appliance.**



The electrical cable (not supplied) should not be routed through any area that may be affected by heat from the oven, especially the area directly behind the oven.

The Connection diagram can be found on the rear of the appliance

In the event of a power failure please reset the timer. This oven will not operate until the timer is properly set

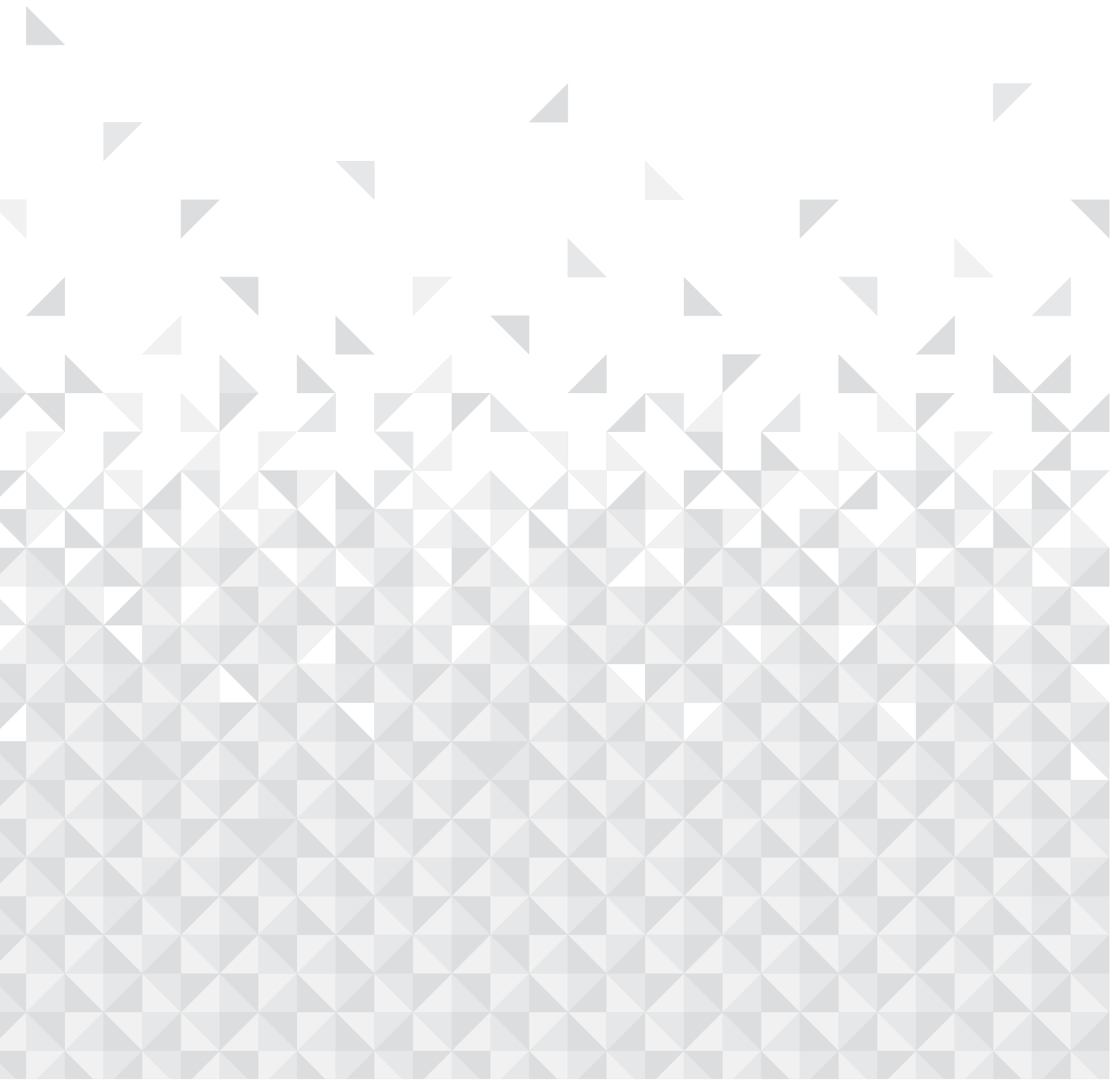
This appliance must be installed by a suitably qualified installer

! Failure to do this will invalidate your warranty

or online at www.argos-support.co.uk If you still require further assistance, call one of our experts on 01759 487838.

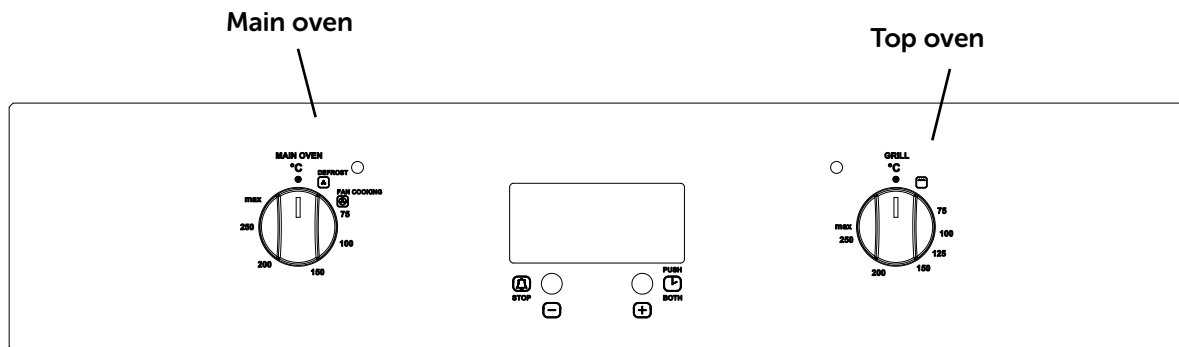
Using your Built-In Double Oven

4



Using your Built-In Double Oven

Getting the most from your appliance



Main oven

Turn the Main Oven knob clockwise and align the marker on the control knob with the required temperature (°C)

The indicator light on the control panel will go out and the thermostat will turn the element off when the selected temperature has been reached inside the oven. These will come back on once the thermostat falls below the set value.

Fan only defrost

The fan can be used without heat to defrost food (DEFROST)

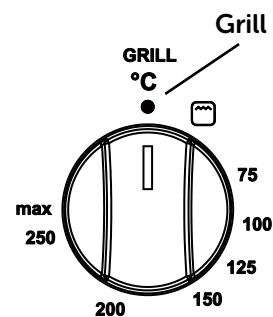
IMPORTANT! Before using this method of defrosting refer to the food packaging defrosting information

Always turn the control knob to off (l) when cooking has finished.

Please note: The appliance incorporates a safety thermostat which cuts the electric supply to the oven if the temperature becomes excessive.

When using your oven for the first time your cooker may give off an unusual odour from the heating elements. This is normal for new cookers. To eliminate this odour run the oven at 250 degrees for 40-60 mins with the oven empty.

Top oven functions



Grill and Top element

Using the top oven and grill

Select the required function then turn the temperature control knob clockwise and align the marker on the knob with the required temperature.

The indicator light on the control panel will go out when the selected temperature has been reached inside the oven. When the temperature begins to decrease the oven will come back on and the indicator will come back on


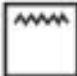


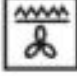


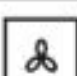



Always turn the control knob to off when cooking has finished.

Please note: The appliance incorporates a safety thermostat which cuts the electric supply to the oven if the temperature becomes excessive.

Using your Built-In Double Oven

Getting the most from your appliance

Main oven functions

LEVEL	FUNCTION	DESCRIPTION
○	Close	Oven is not working
	Oven Lamp Double Grill	Outer Heating Element and Grill Heating Element works together. Recommends to use for big and powerfull grill.
	Oven Lamp Grill Heating Element	Oven Lamp and Grill heater works. Recommend to use for frying. Thermostat must be at maximum position.
	Oven Lamp Top&Bottom Heating Elements	Hot air comes from up and down heats the tray from both side. Top and bottom sides of meals cooked equally.
	Oven Lamp Grill Heating Element Turbo Fan	Oven Lamp, Grill heater and Turbo Fan work together. Recommend to use for frying. Thermostat must be at maximum position.
	Oven Lamp Double Grill Turbo Fan	Oven Lamp, Double Grill and Turbo Fan work together. Recommend to use for frying. Thermostat must be at maximum position.
	Oven Lamp Turbo Heating Element Turbo Fan	Oven Lamp, Turbo Fan and Turbo Heating Element work. Recommend to use fast cooking.
	Oven Lamp Turbo Heating Element Turbo Fan, Bottom Heating Element	Oven Lamp, turbo heating element, turbo fan and bottom heating element work together. Recommended to use for pizza.
	Oven Lamp Turbo Fan	Only Oven Lamp and Turbo Fan work. Recommend to use for defrosting.
	Bottom Heating Element	Bottom heating element, Recommended to use cake and bread.
	Top Heating Element	Top Heating Element for keeping cooked food warm or gently reheating.
	Oven Lamp Top&Bottom Heating Elements Turbo Fan	Hot air comes from up and down heats the tray from both side. Top and bottom sides of meals cooked equally with Turbo Fan.

If you require any technical guidance or find that your product is not operating as intended, a simple solution can often be found in the **Troubleshooting** section of these instructions.

Using your Built-In Double Oven

Getting the most from your appliance

Using the Timer

TIME OF DAY ADJUSTMENT

Press the + and – buttons together. The point between the hours and minutes will start to flash. Using the + and – buttons, you can adjust the current time of day. Long presses of those buttons will enable fast adjustments.

Pressing the + and – buttons together a long time, until the hour and point between the hours and minutes start to flash, will enable you to adjust just the hours portion of the display.

MINUTE MINDER ADJUSTMENT

Press the + button. The screen will return to displaying the '0.00' and the bell symbol will start to flash. You can adjust the minute minder using the + or – buttons.

After 6 seconds following the adjustment, the bell symbol will be stabilized. The Minute minder will start to countdown.

The minute minder time increments are in 10 seconds up to 99 minutes 50 seconds, thereafter the display will show 1 hour and 40 minutes and the adjustment will be in 1 minute steps.

Note: In order to cancel a minute minder program, set the minute minder time down to 0.00

CANCELLING THE BUZZER SOUND

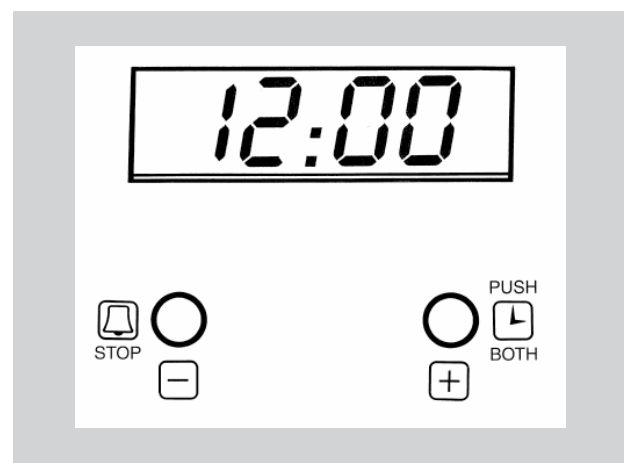
When countdown of the minute minder is completed, the screen will return to displaying the current time of day. The bell symbol will start to flash, a buzzer alarm is heard and will sound, if not stopped, for 7 minutes. Press any button to cancel the sound.

BUZZER TONE ADJUSTMENT

You may adjust the buzzer tone of the timer in the following way:

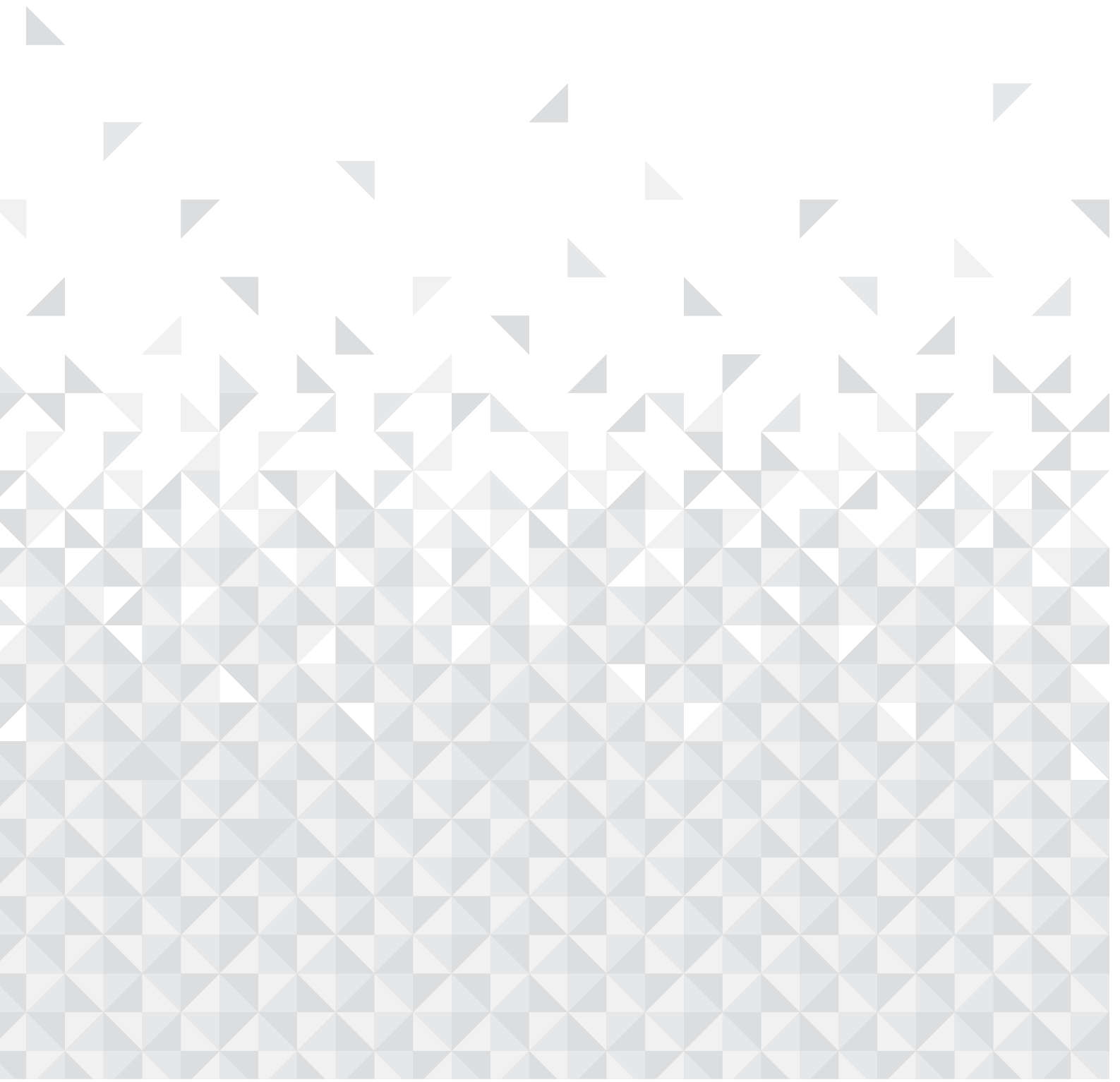
- 1) Pressing the (-) button, you can hear the currently set tone.
- 2) Releasing (-) and then pressing again, you can hear the next available (total 3) tone.
- 3) The last sound heard will be your adjusted one.

Note: Factory setting is the maximum level (highest frequency) A long interrupt of power may result in reloading this setting.



Care and maintenance

5



Care and maintenance

Looking after your appliance

Cleaning

WARNING! Isolate the power supply to the oven and make sure that the oven is cool.

Do not clean using caustic creams, abrasive cleaning powders, thick wire wool or hard tools. Enamelled parts of the oven can be damaged if excess cleaning liquids are not immediately removed.

After cleaning the interior parts of the oven with a soapy cloth, rinse it and then dry thoroughly with a soft cloth.

Clean the glass surfaces with special glass cleaning agents.

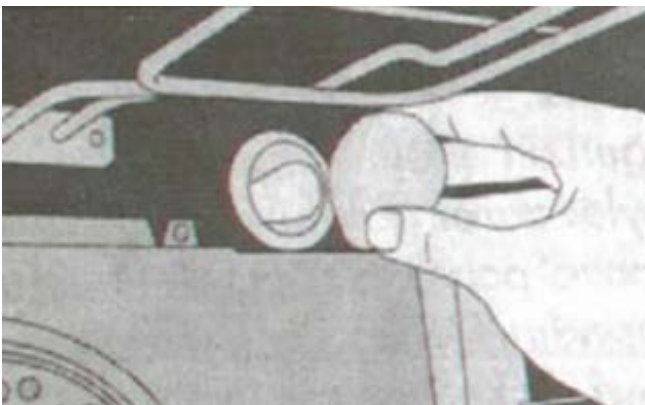
Never use flammable agents like acid, thinner or petrol when cleaning your oven.

Do not clean your oven with a steam cleaner.

Do not wash any part of your oven in a dishwasher.

Changing the oven lamp:

1. Turn off and unplug your oven
2. Unscrew the glass lamp cover by turning it anti-clockwise
3. Unscrew the bulb by turning it anti-clockwise
4. Screw in a replacement bulb
5. Replace the glass bulb cover



Bulb Type: 25E screwed

Oven door seal:

Please check the oven door seal at regular intervals. If the seal requires cleaning, clean it without using abrasive materials

If the door seal is damaged contact your authorised service agent on 01759 487838
Do not use the oven until the door seal has been repaired or replaced

Enamelled Parts:

In order to keep them as new, it is necessary to clean them frequently with mild warm soapy water and then dry with a cloth. Do not wash them while hot and never use abrasive powders or abrasive cleaning materials. Do not leave anything spilled onto enamelled parts for long periods of time.

Stainless Steel:

Stainless steel parts must be cleaned frequently with mildly warm soapy water and a soft sponge and then dried with a soft cloth. Do not use abrasive powders or abrasive cleaning materials. Do not leave anything spilled onto stainless steel parts for long periods of time.

Care and maintenance

Looking after your appliance

Technical specification

Model	Bush BDOBF White Bush BDOBF Black
Power supply	220-240V~50 Hz
Maximum power	5400W
Size (H x W x D)	885 x 556 x 540
Net Weight	45,78 kg
Main Oven volume	68 lt
Top Oven volume	31 lt
Energy rating	A

We apologise for any inconvenience caused by minor inconsistencies within these instructions that may occur due to product improvements and development

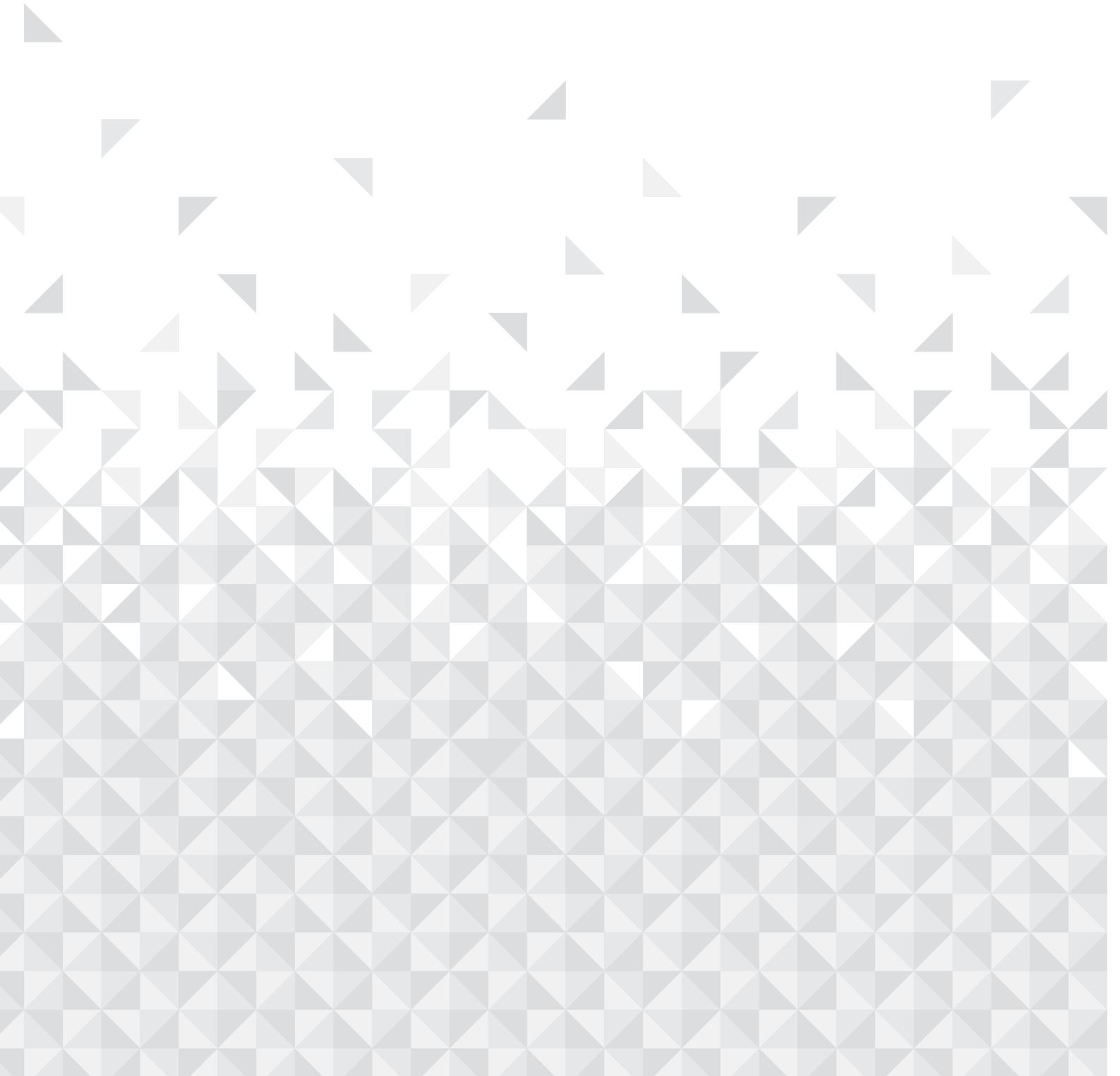
All images and drawing are for illustration purposes only.

Product Fiche compliant to commission delegated regulation (EU) No 65/2014 Product Information compliant to commission regulation (EU) No 66/2014			
	Symbol	Value	Unit
Brand		BUSH	
Model		Built-in oven	
Type of oven		BDOBF BLACK BDOBF WHITE BDOMFF	
Mass of the appliance	M	45,78	kg
Number of cavities		2	
Heat source per cavity (electricity or gas)		Electricity	
Volume per cavity - Main cavity	V	68	lt
Volume per cavity - Secondary cavity	V	31	lt
Energy Efficiency Class - Main cavity		A	
Energy Efficiency Class - Secondary cavity		A	
Energy consumption (electricity) required to heat a standardised load in a cavity of an electric heated oven during a cycle in conventional mode per cavity (electric final energy) - Main cavity	EC _{electric cavity}	0,86	kWh/cycle
Energy consumption required to heat a standardised load in a cavity of an electric heated oven during a cycle in fan-forced mode per cavity (electric final energy) - Main cavity	EC _{electric cavity}	0,8	kWh/cycle
Energy consumption (electricity) required to heat a standardised load in a cavity of an electric heated oven during a cycle in conventional mode per cavity (electric final energy) - Secondary cavity	EC _{electric cavity}	0,73	kWh/cycle
Energy consumption required to heat a standardised load in a cavity of an electric heated oven during a cycle in fan-forced mode per cavity (electric final energy) - Secondary cavity	EC _{electric cavity}	-	-
Energy consumption required to heat a standardised load in a gas-fired cavity of an oven during a cycle in conventional mode per cavity (gas final energy) - Main cavity	EC _{gas cavity}	-	-
Energy consumption required to heat a standardised load in a gas-fired cavity of an oven during a cycle in fan-forced mode per cavity (gas final energy) - Main cavity	EC _{gas cavity}	-	-
Energy consumption required to heat a standardised load in a gas-fired cavity of an oven during a cycle in conventional mode per cavity (gas final energy) - Secondary cavity	EC _{gas cavity}	-	-
Energy consumption required to heat a standardised load in a gas-fired cavity of an oven during a cycle in fan-forced mode per cavity (gas final energy) - Secondary cavity	EC _{gas cavity}	-	-
Energy Efficiency Index per cavity-conventional mode - Main cavity	EEl _{cavity}	103,1	MJ/cycle kWh/cycle ⁽¹⁾
Energy Efficiency Index per cavity-fan forced mode - Main cavity	EEl _{cavity}	95,5	MJ/cycle kWh/cycle ⁽¹⁾
Energy Efficiency Index per cavity-conventional mode - Secondary cavity	EEl _{cavity}	106,6	MJ/cycle kWh/cycle ⁽¹⁾
Energy Efficiency Index per cavity-fan forced mode - Secondary cavity	EEl _{cavity}	-	MJ/cycle kWh/cycle ⁽¹⁾

⁽¹⁾ 1kWh/cycle = 3,6 MJ/cycle

or online at www.argos-support.co.uk If you still require further assistance, call one of our experts on 01759 487838

Product support 6



Product support

Help is always at hand

Troubleshooting

1. If no electrical functions appear to work, check the oven isolation switch has not been turned off also check the fuse in the switch and the circuit breaker in your consumer unit
2. After replacing the fuse or resetting the circuit breaker turn on your oven and check the functions
3. **DO NOT** attempt to repair this oven yourself. Call Argos Product Support or consult a qualified person



If oven does not power up

Check that your supply has not tripped



If oven does not heat

Ensure timer is set and an oven function is selected



Temperature incorrect

Please check that the correct temperature has been set



Please check that any fuses have not blown



If oven lamp does not light

Check that your oven is turned on
Change the bulb (see page 17)



If oven does not cook evenly

Adjust shelf positions check temperature settings
Ensure that you preheat the oven before use



If there is still a problem

Call Argos product support on 01759 487838

If you require any technical guidance or find that your product is not operating as intended, a simple solution can often be found in the **Troubleshooting** section of these instructions,

Product support

Help is always at hand

Help and assistance

If you require any technical guidance or find that your Dual Fuel 60cm Oven is not operating as intended, a simple solution can often be found in the **Troubleshooting** section of these instructions or online at www.argos-support.co.uk

If you still require further assistance, call one of our experts on **01759 487838***. To help give us give you a fast and efficient service please have the following information ready:

Model Ref.	<input type="text"/>	You can find these on the rating plate - a small information panel (usually a sticker or metal plate) on the rear of your appliance
Serial number	<input type="text"/>	
Date of purchase	<input type="text"/>	This will be shown on your receipt

Local call rates applies*

Lines open 8am-7pm Monday to Saturday and 10am-4pm Sunday.

*Calls to Argos enquiry lines may attract a charge and set up fee from residential lines depending on your call plan/tariff. Mobile and other providers costs may vary, see www.bt.com/pricing for details.

For Security and training purposes, telephone calls to and from customer service centres maybe recorded and monitored. Calls from Republic of Ireland will attract international call charges.

or online at www.argos-support.co.uk If you still require further assistance, call one of our experts on **01759 487838**

Product support

Help is always at hand

Declaration of conformance to product standards

This appliance conforms to all relevant standards applicable to domestic appliances sold in the UK

Disposal



This appliance/fitting is marked according to the European directive 2002/96/EC on Waste Electrical and Electronic Equipment (WEEE).

By ensuring this product is disposed of correctly, you will help prevent potential negative consequences for the environment and human health, which could otherwise be caused by inappropriate waste handling of this product.

The symbol on the product, or on the documents accompanying the product, the **crossed out wheellie bin** symbol, indicates that this appliance/fitting may not be treated as household waste. Instead it shall be handed over to the applicable collection point for the recycling of electrical and electronic equipment.

Disposal must be carried out in accordance with local environmental regulations for waste disposal.

For more detailed information about treatment, recovery and recycling of this product, please contact your local authority, your household waste disposal service or the retailer where you purchased the product.



Call us now and activate your 12 month guarantee

Thank you for choosing Bush. Your new product is guaranteed against faults and breakdowns for 12 months. Don't forget to register it with us today so we can provide you with our best possible after-sales service and useful updates.

www.bushregistration.co.uk

FREEPHONE*

0800 597 8548

Lines are open 8am - 8pm, 365 days a year. *Calls may be recorded and monitored.

Your Bush Guarantee

This product is guaranteed for twelve months from the date of original purchase. Any defect that arises due to faulty materials or workmanship will be repaired free of charge (or if applicable the product will be replaced or the purchase price refunded) where possible during this period by the dealer from who your purchased the unit.

The guarantee is subject to the following provisions:

- The guarantee does not cover accidental damage, misuse, cabinet parts, knobs or consumable items.
- The product must be correctly installed and operated in accordance with the instructions contained in the manual.
- It must be used solely for domestic purposes. The guarantee will be rendered invalid if the product is re-sold or has been damaged by inexpert repair.
- Specifications are subject to change without notice.
- Bush disclaim any liability for loss or damage arising from the breakdown of the product.
- This guarantee is in addition to and does not diminish your statutory or legal rights.

Important Data Protection Information

If you provide us with information about another person, you confirm that they have appointed you to act for them, to consent to the processing of their personal data including sensitive personal data and that you have informed them of our identity and the purposes (as set out in the Important Data Privacy notice displayed overleaf) for which their personal data will be processed.

You are entitled to ask for a copy of the information we hold about you (for which we may charge a small fee) and to have any inaccuracies in your information corrected.

For quality control and training purposes, we may monitor or record your communications with us.

If your personal details change, if you change your mind about any of your marketing preferences or if you have any queries about how we use your information, please let us know by contacting our Data Protection Officer, Domestic & General, Leicester House 17 Leicester Street, Bedworth, Warwickshire CV12 8JP.

Guarantor: Argos Limited - 489 - 499 Avebury Blvd. - Milton Keynes - MK9 2NW

BUSH



Contact:

www.argos-support.co.uk

Helpline: 01759 487838