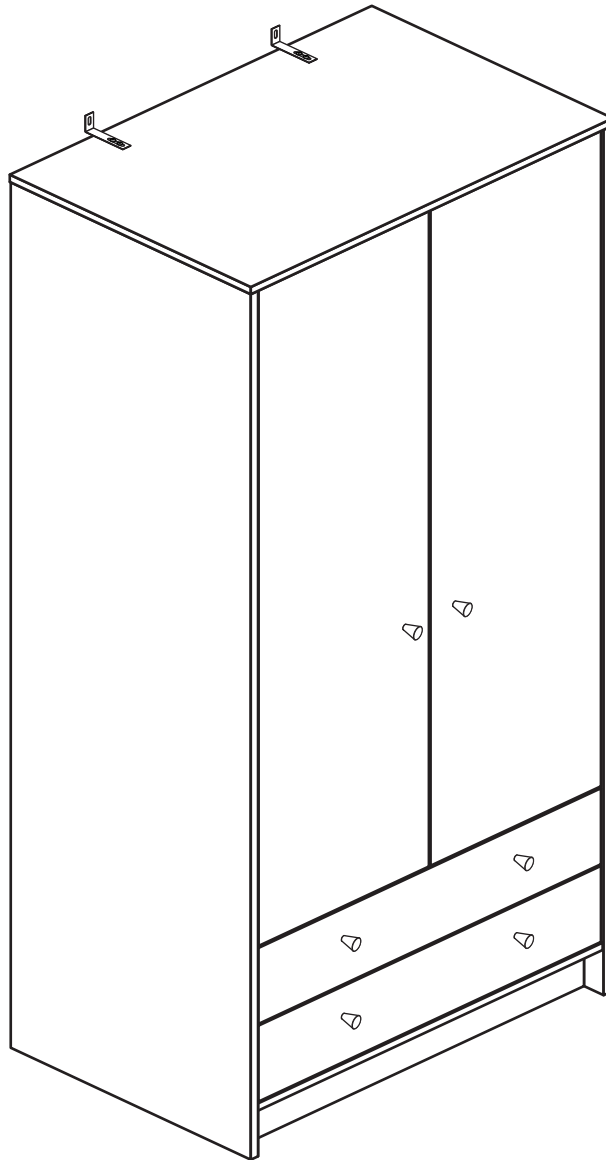


Malibu

465/4225 465/4160 465/4263 465/4311 465/4304

727/5058 755/1590 788/0481 813/0124 834/9086

488/7982 679/6662



Spare Parts

Visit: www.argos-support.co.uk

Email: Help@ClickSpares.co.uk

Call: 0370 112 1928

Customer Support

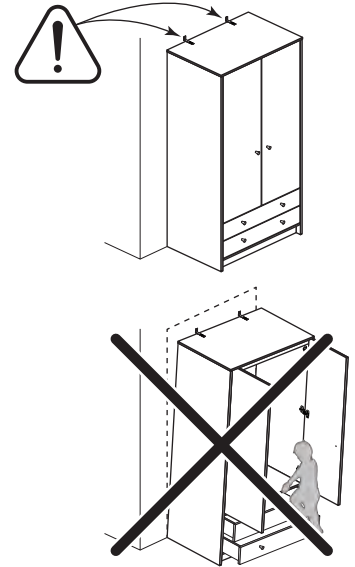
Call: 0345 640 2020

Safety

Important - Please read these instructions fully before starting assembly

- Warning: This unit weighs approximately 50kgs. Please lift with care.
- Assembly to be carried out by a competent adult only.
- During assembly children should be kept away from the product due to possible risk of injury.
- Installation shall only be carried out exactly according to the manufacturer's instructions - otherwise a safety risk can occur if incorrectly installed.
- Do not use this item if any components are missing or damaged.
- Regularly check all fastenings to ensure they are properly tightened.

- **WARNING:** To prevent possible overbalancing this unit must be secured to a wall using the 2 overbalance protector kits supplied.
- A unit that is allowed to topple can cause serious or fatal injury. In addition to wall fixing the unit, place heavy items on the lower shelves, do not put any heavy objects on top of the unit and never allow children to climb or hang on drawers, doors or shelves.
- Refer to guide after section 23 for wall fixing information.



Care Advice

- Check you have all the components and tools listed on relevant pages.
- Remove all fittings from the specified plastic bag and separate them into their groups.
- Parts of the assembly will be easier with 2 people.
- Make sure you have enough space to layout the parts before starting.
- Do not stand or put weight on the product, this could cause damage.

- Assemble the item as close to its final position (in the same room) as possible.
- Assemble on a soft level surface to avoid damaging the unit or your floor (use opened out unit carton).

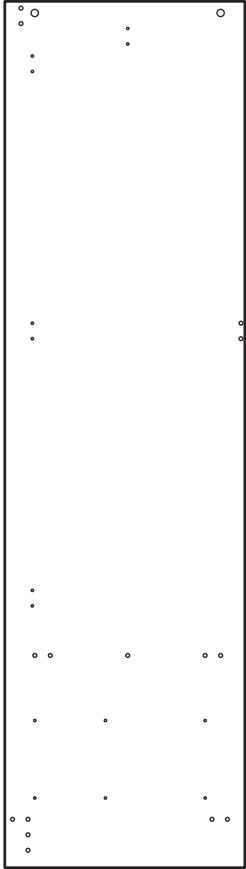


- Assembly videos are available throughout these instructions by scanning in the QR codes.



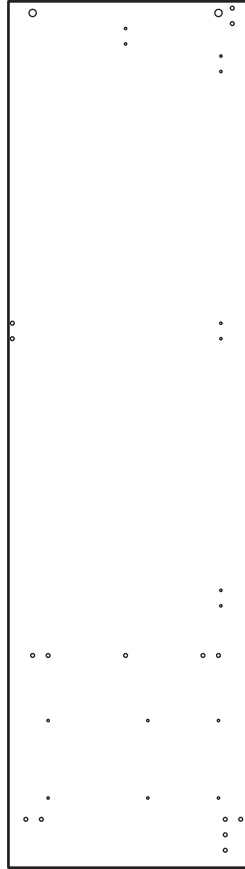
- We do not recommend the use of power drill/drivers for inserting screws, as this could damage the unit. Only use hand screwdrivers.
- Dispose of all packaging carefully and responsibly.
- Only clean with a damp cloth.

Cabinet Panels



DF-00021623

1 179 x 49.6cm



DF-00021624

2 179 x 49.6cm



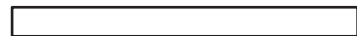
DF6014

3 74.8 x 49.8cm



DF5862

4 71.4 x 47.2cm



DF-00010767

5 71.4 x 6cm X 2



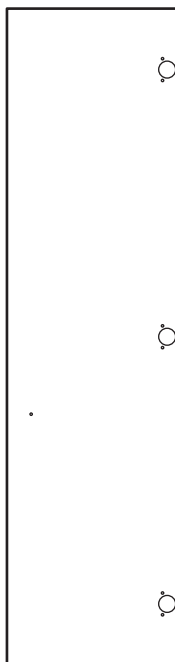
DF-00010765

6 71.4 x 9.2cm X 2



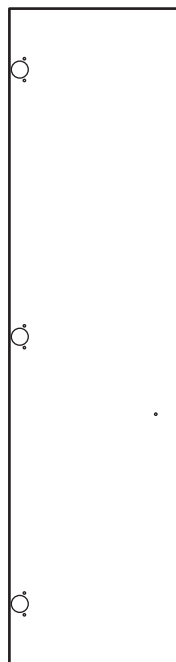
DF5866

7 71.4 x 9.2cm



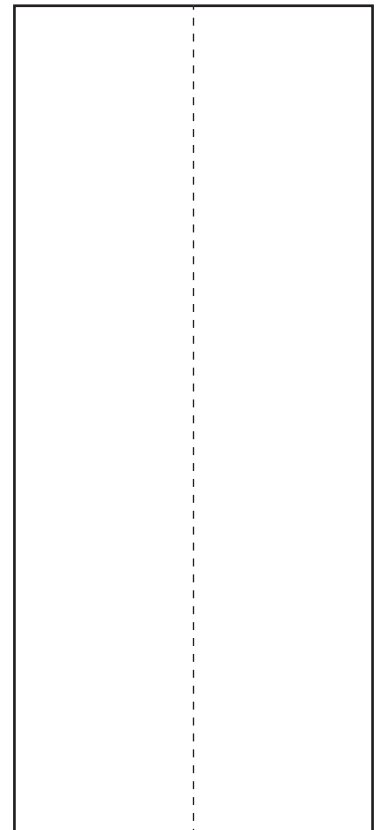
DF7357

8 135.6 x 35.25cm



DF7358

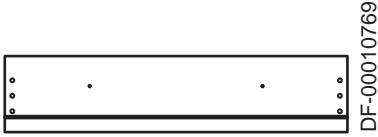
9 135.6 x 35.25cm



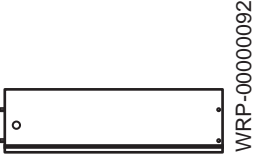
X1709-740

10 170.9 x 74cm

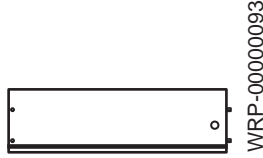
Drawer Panels



11 70.75 x 15.6cm X 2



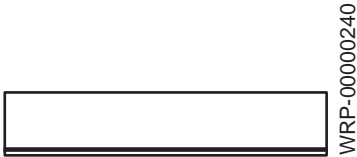
12 45 x 13cm X 2



13 45 x 13cm X 2



14 67.6 x 44.7cm X 2

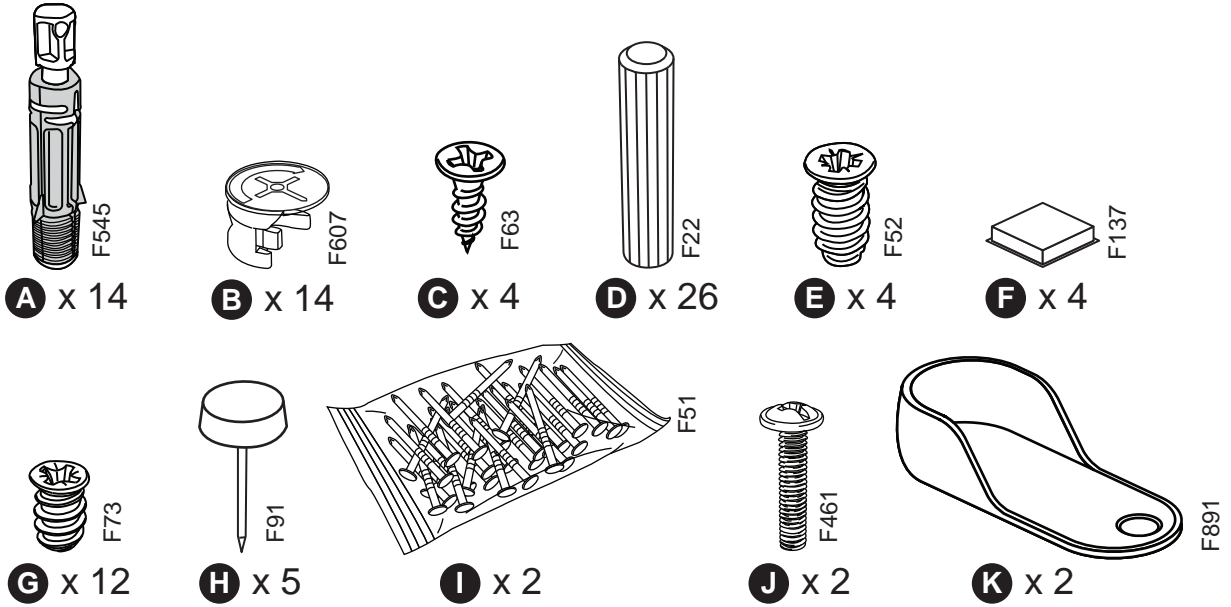


15 66.5 x 13cm X 2

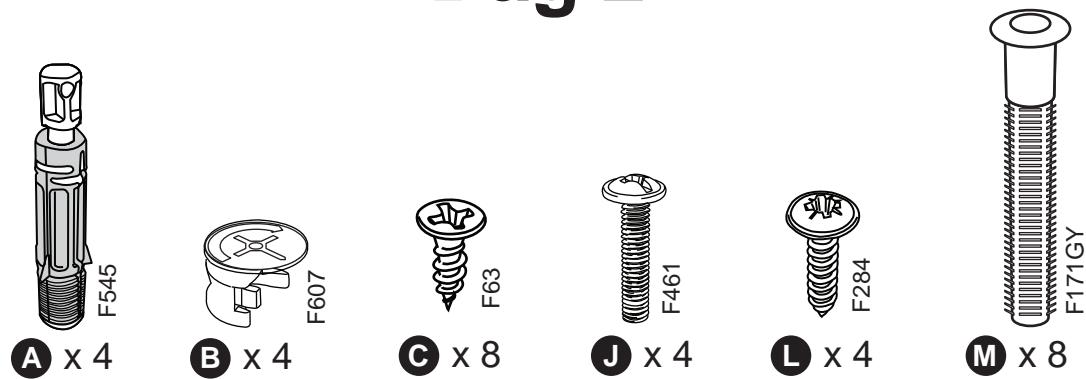
Fittings

Use these drawings to correctly identify the fittings

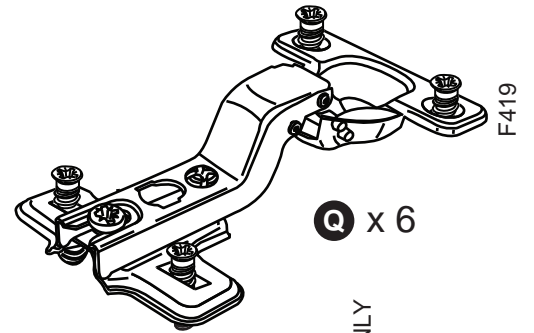
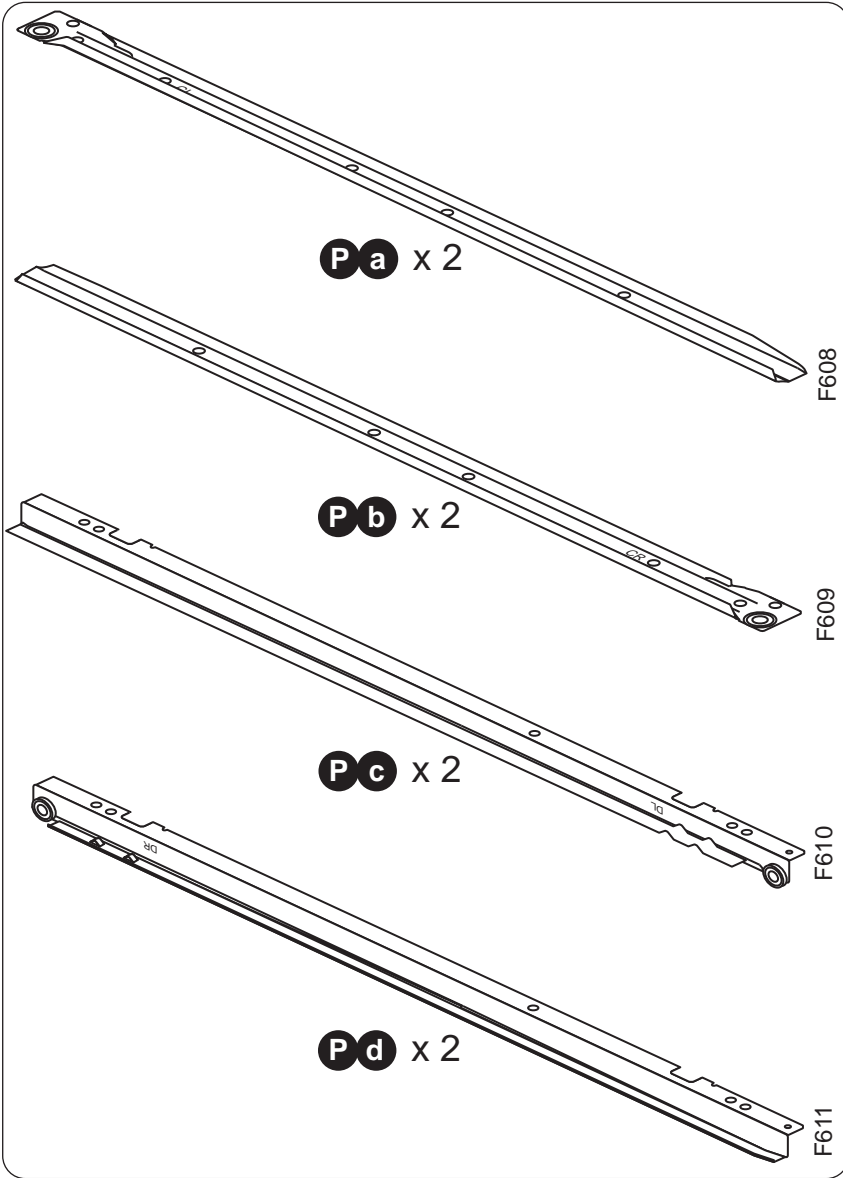
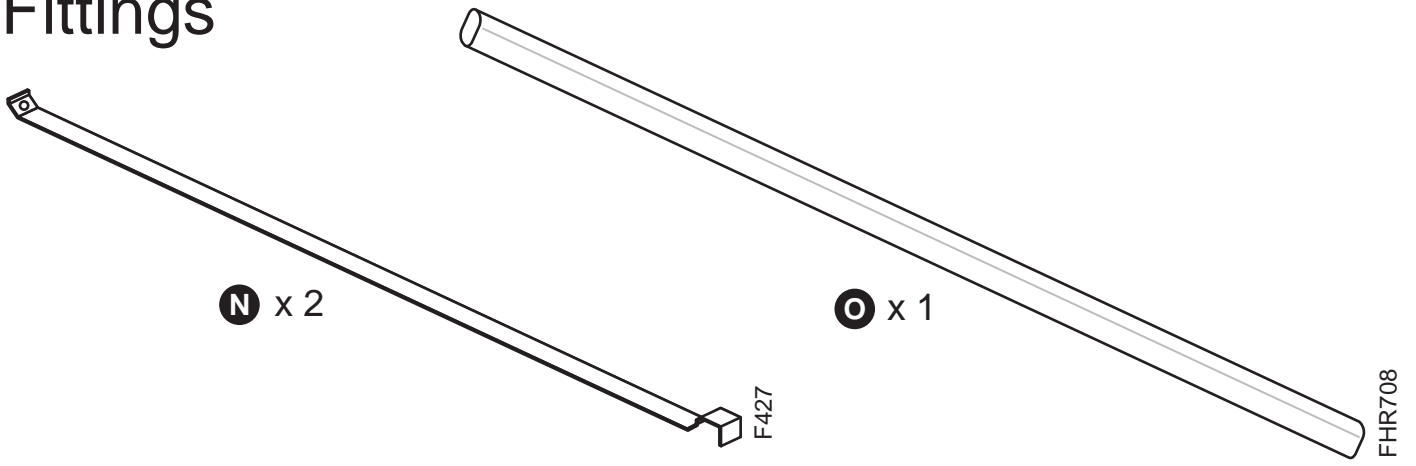
Bag 1



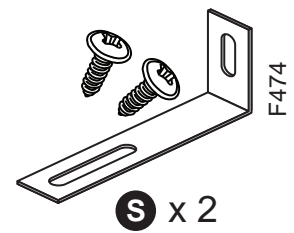
Bag 2



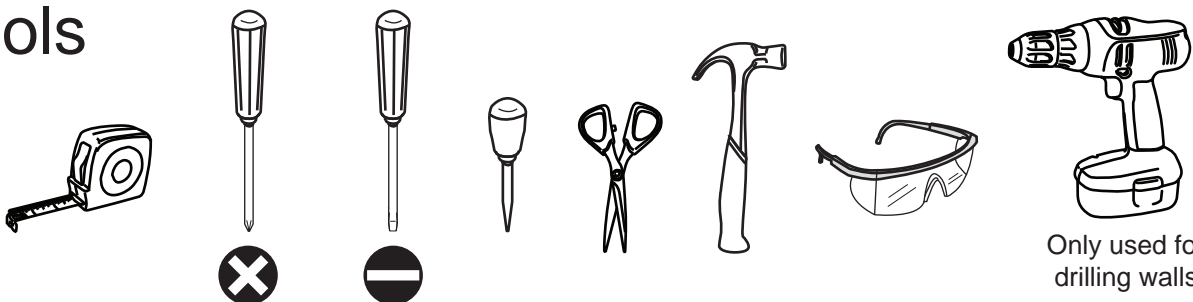
Fittings



FBIC2
FBIC2GOLD - Dark Oak ONLY
FMC - Warm Grey ONLY



Tools



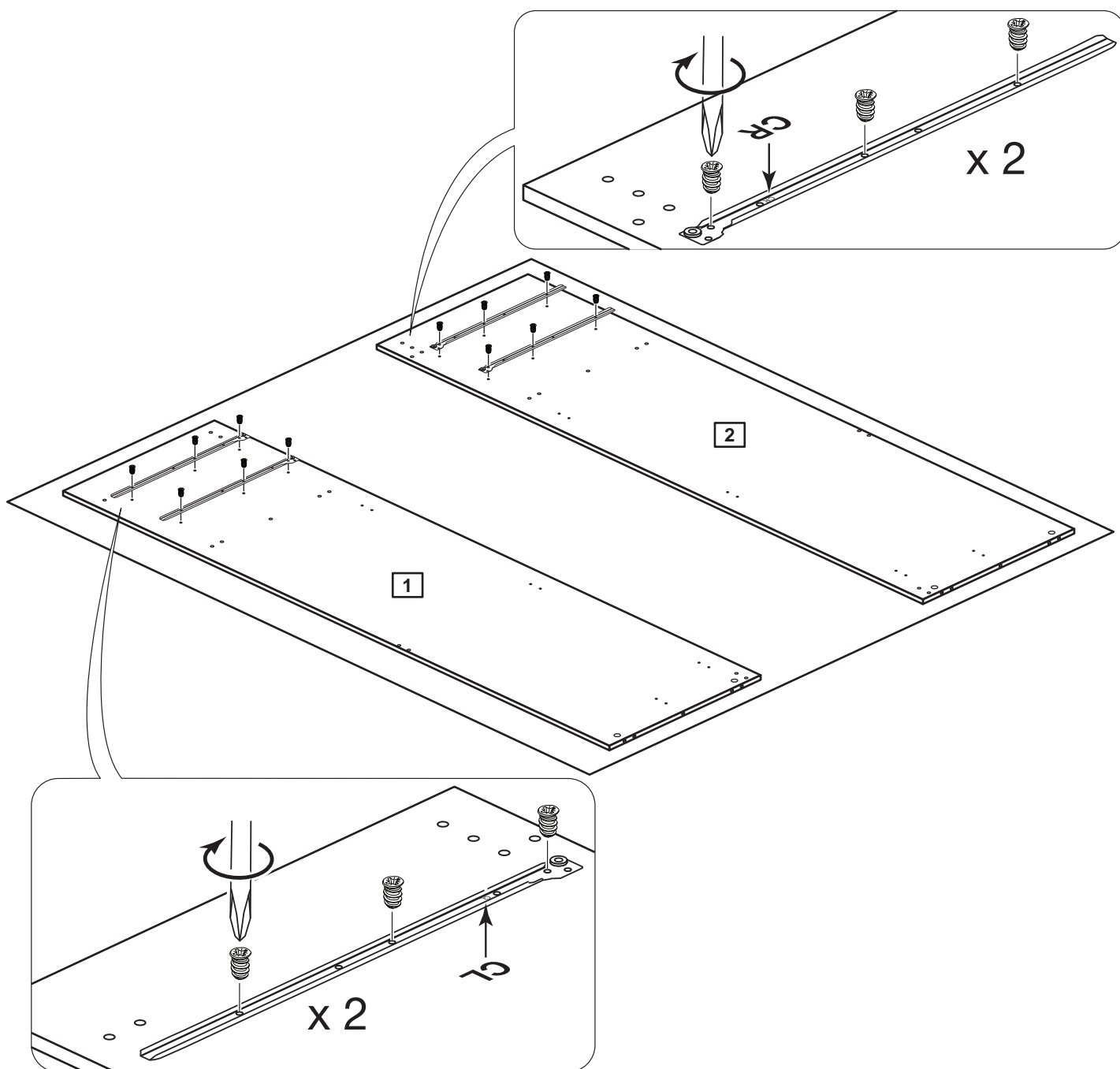
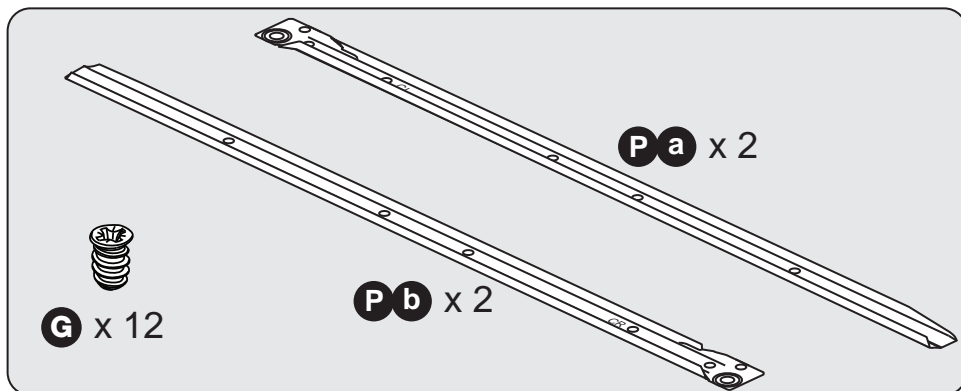
Only used for drilling walls

1

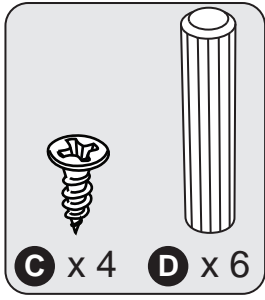


Fixing Bottom Mounted Runners

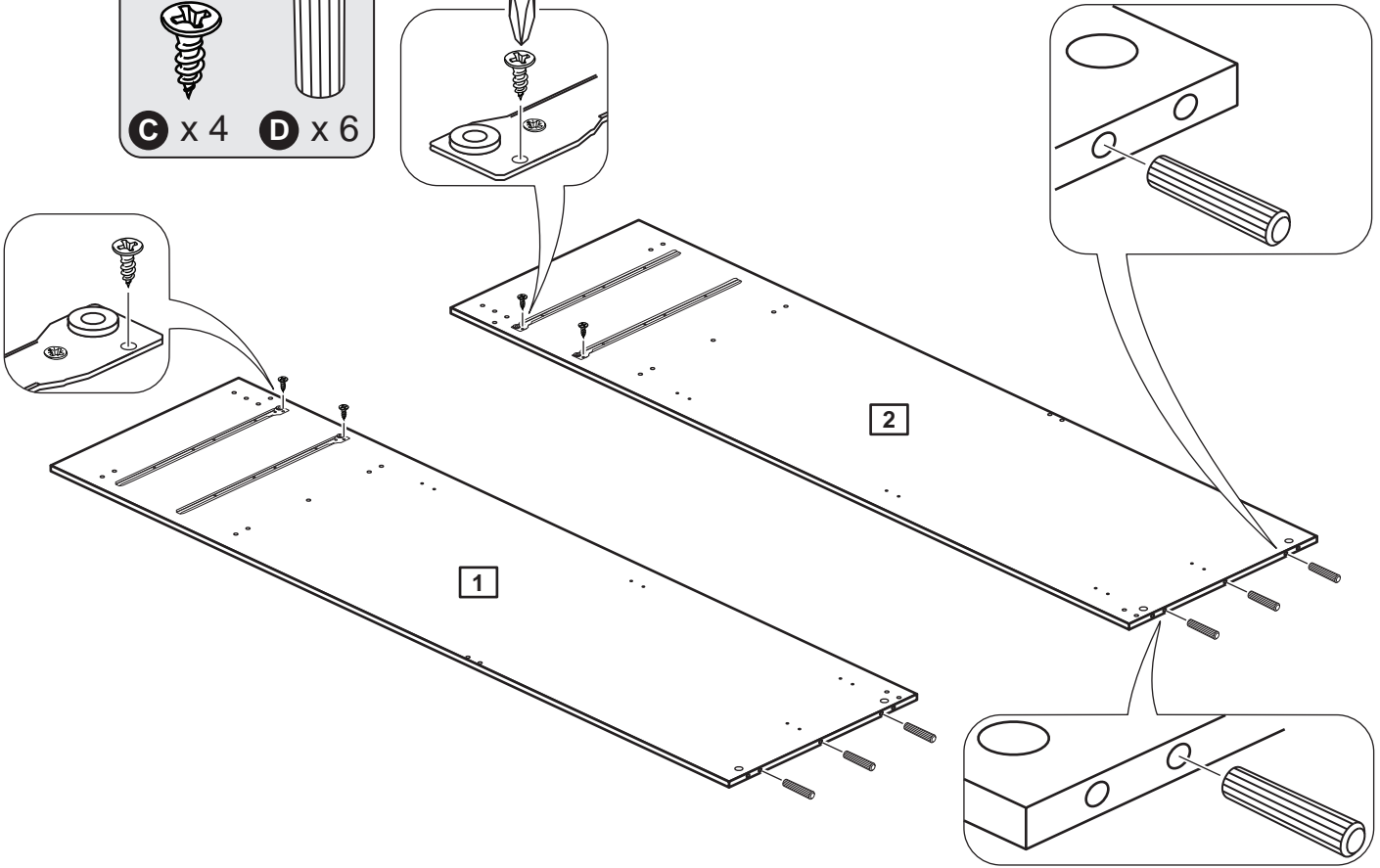
<https://www.youtube.com/watch?v=Z6lGMy19h7Q>



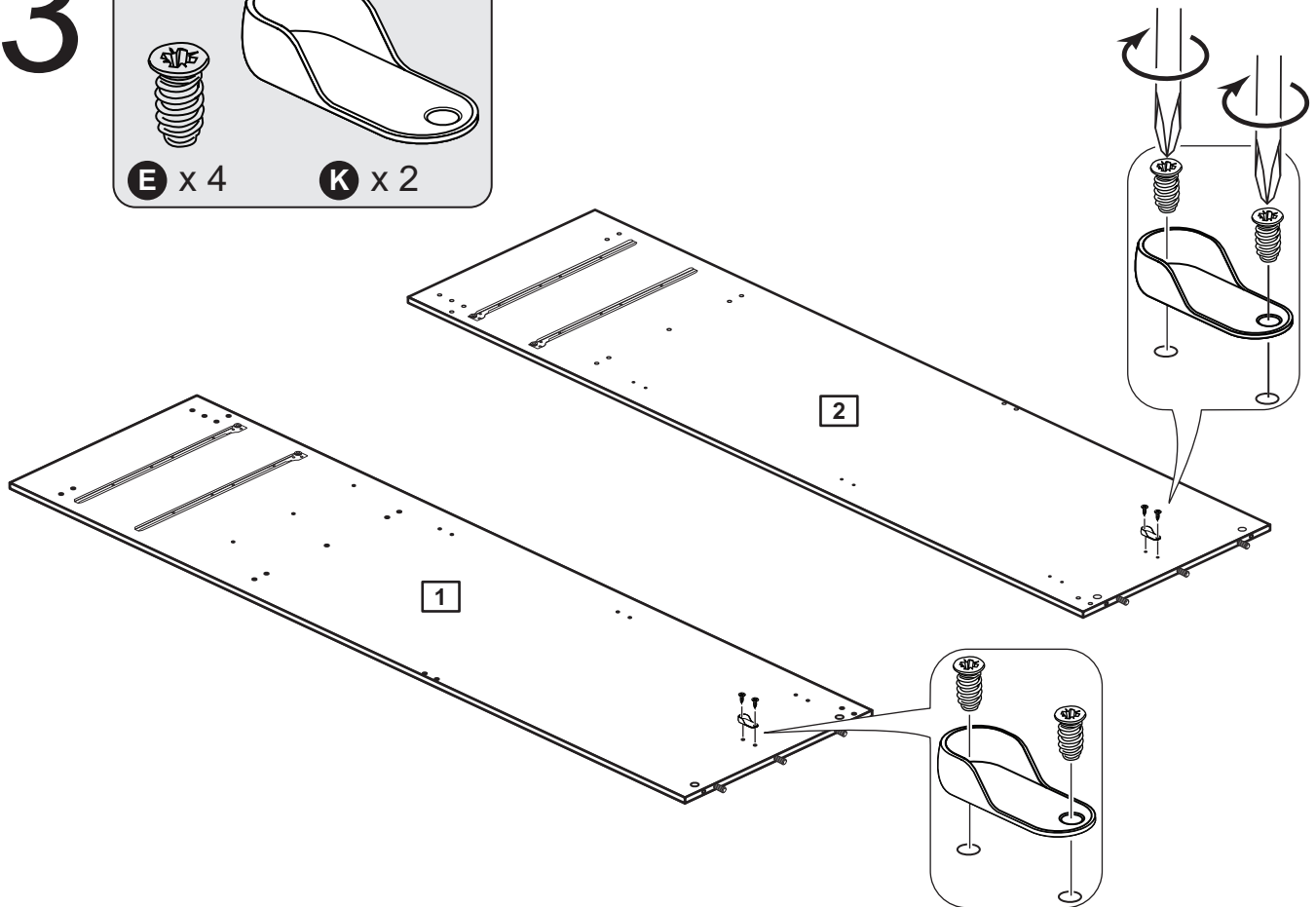
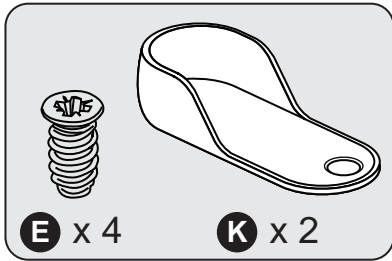
2



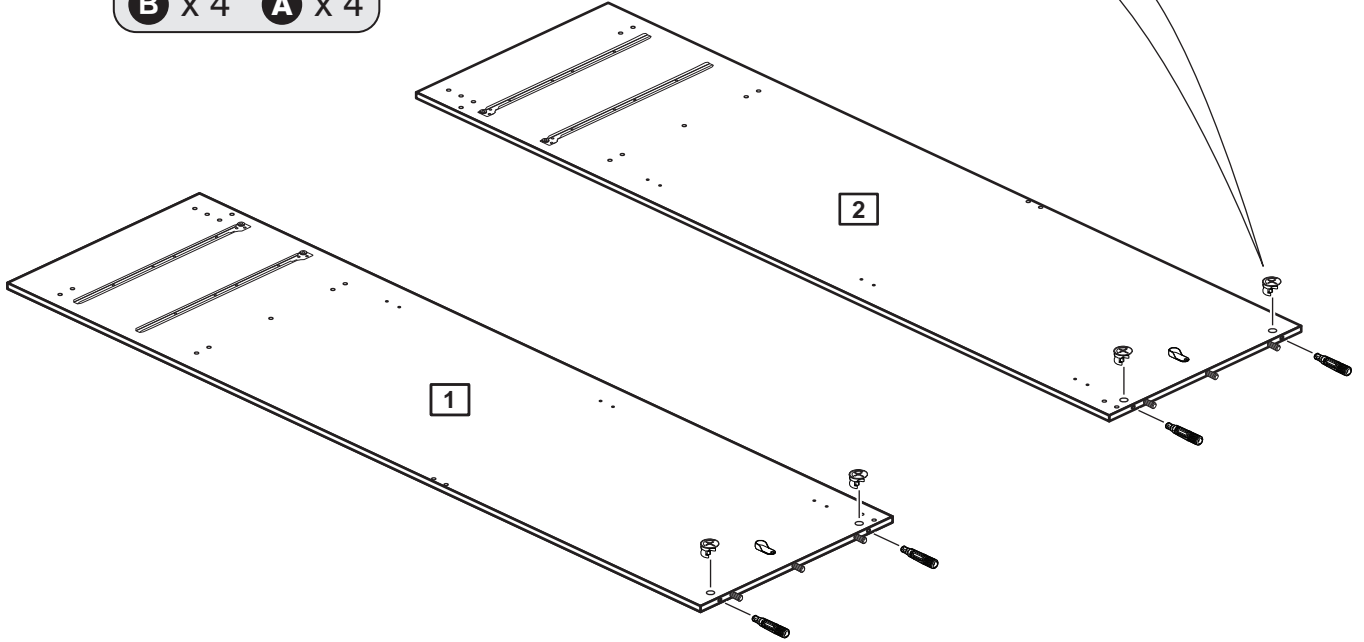
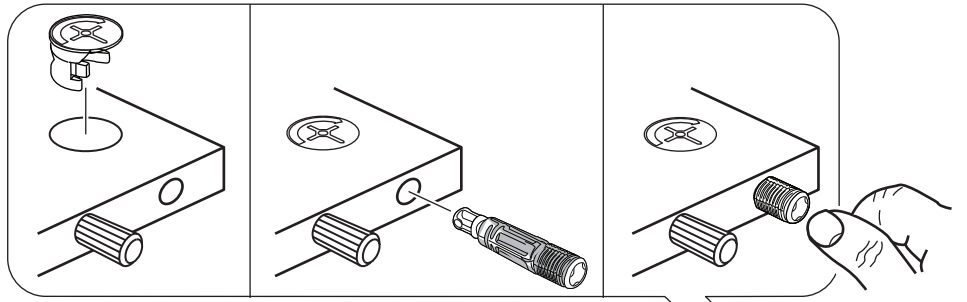
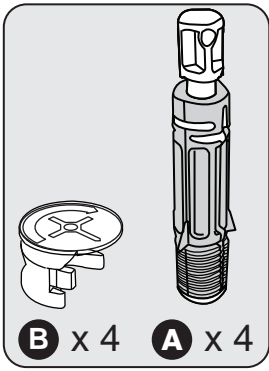
Screw directly into panel
1 & 2 as illustrated



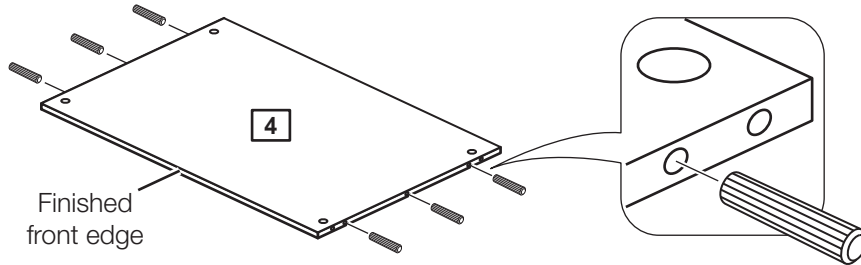
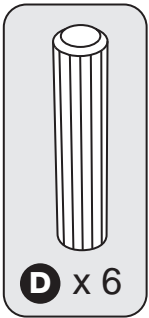
3



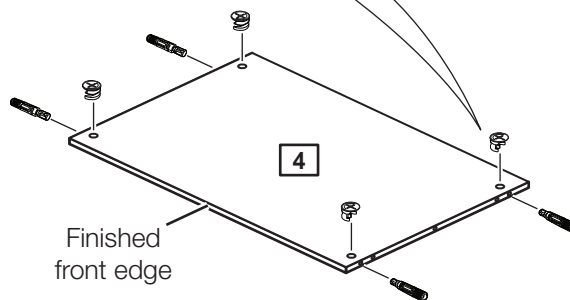
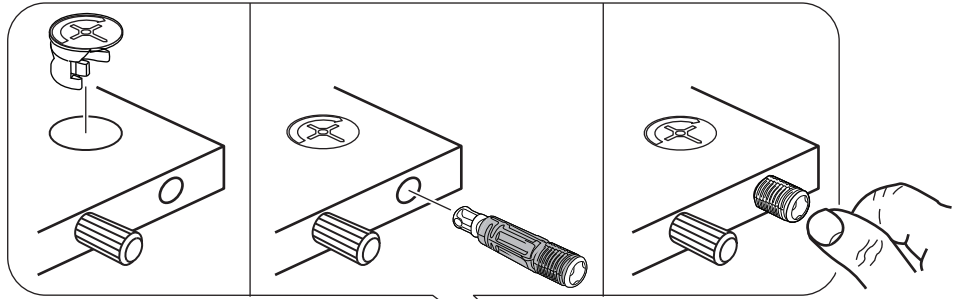
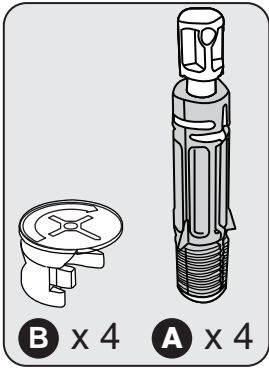
4



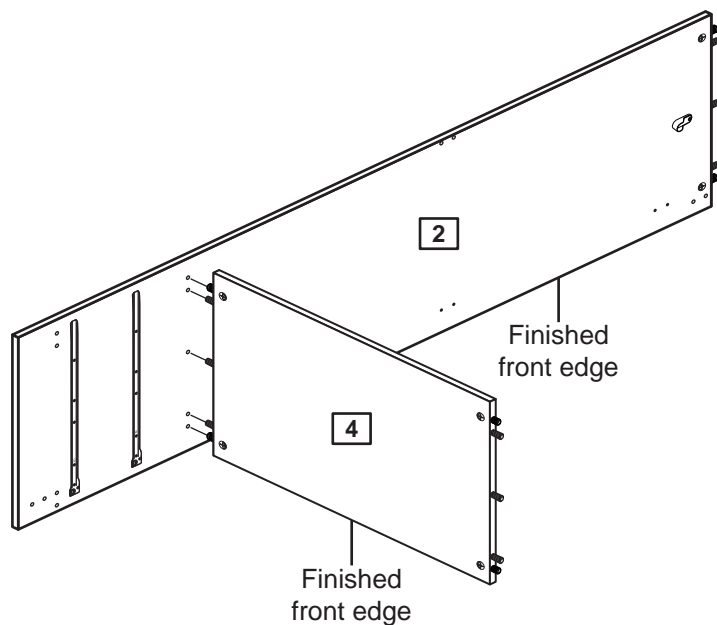
5



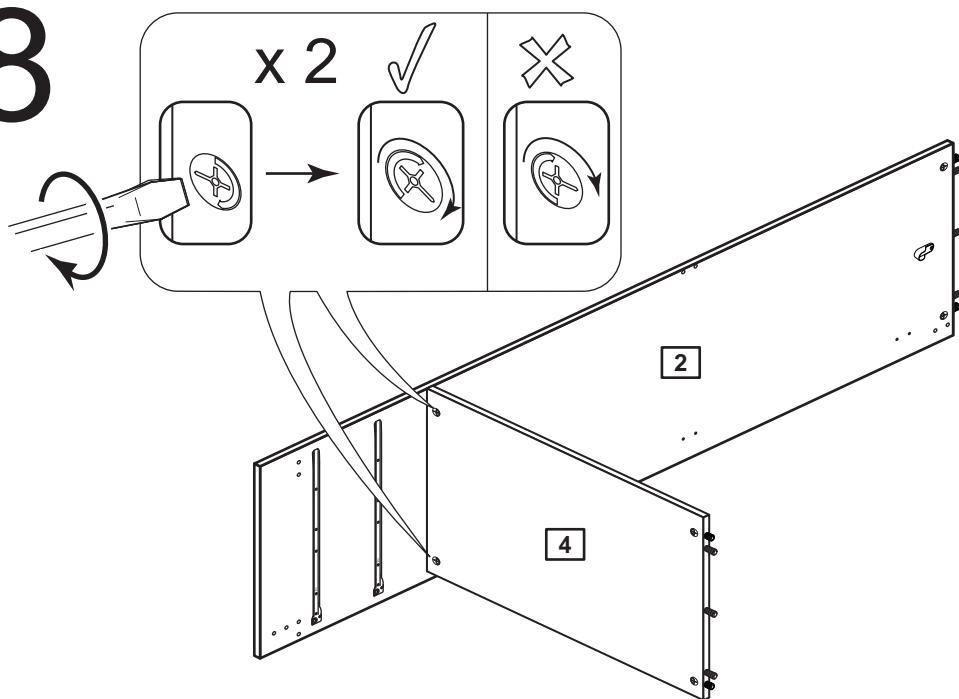
6



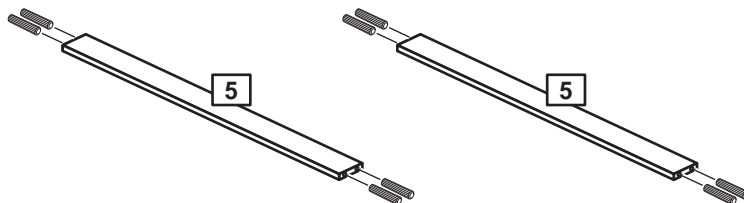
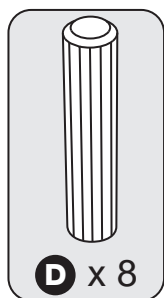
7



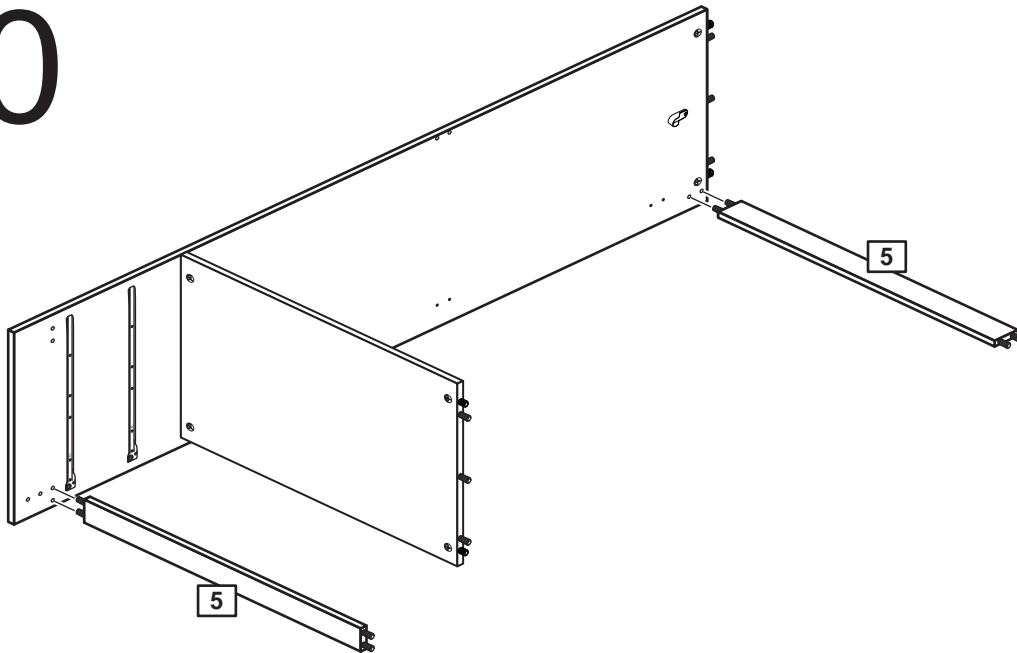
8



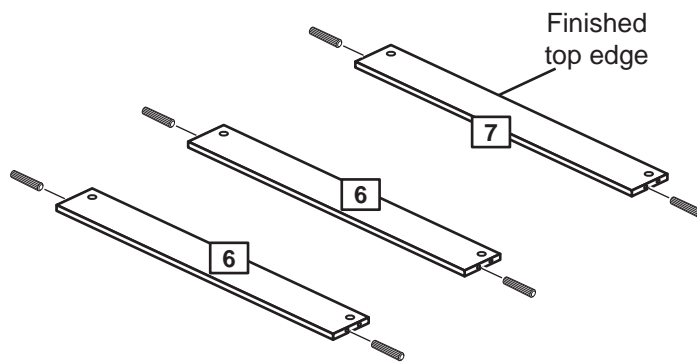
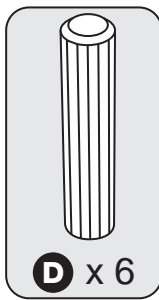
9



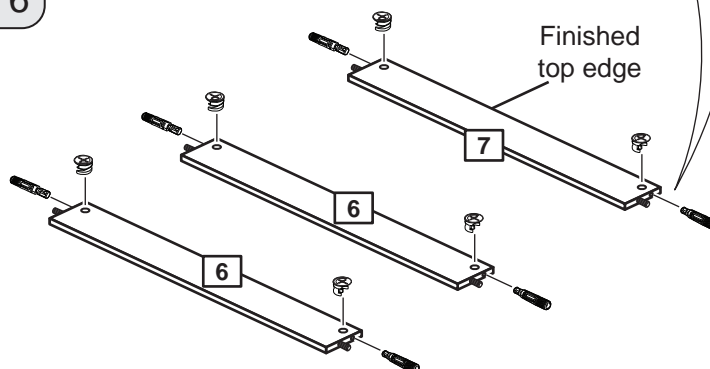
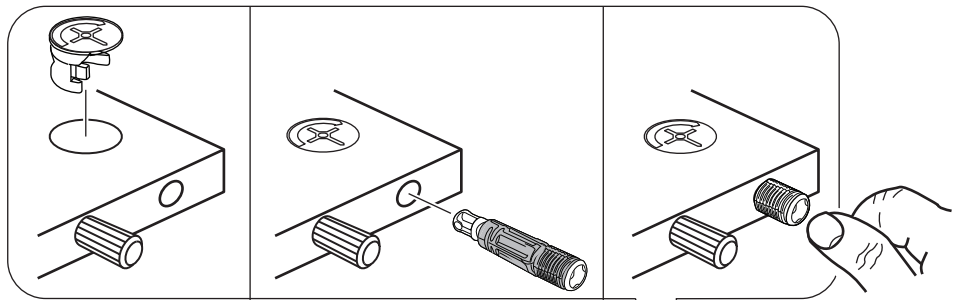
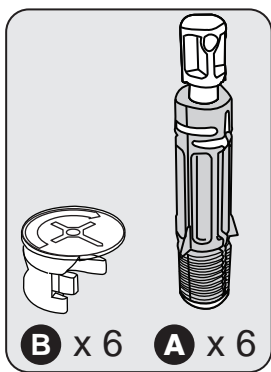
10



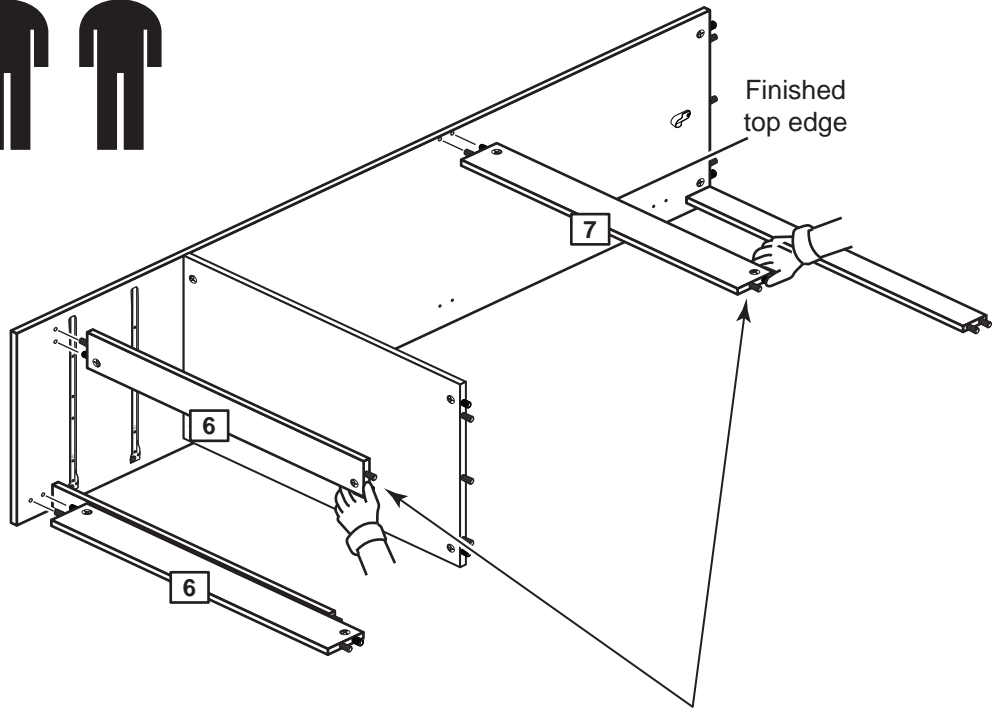
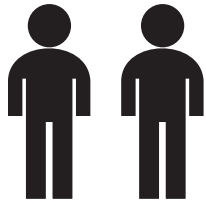
11



12

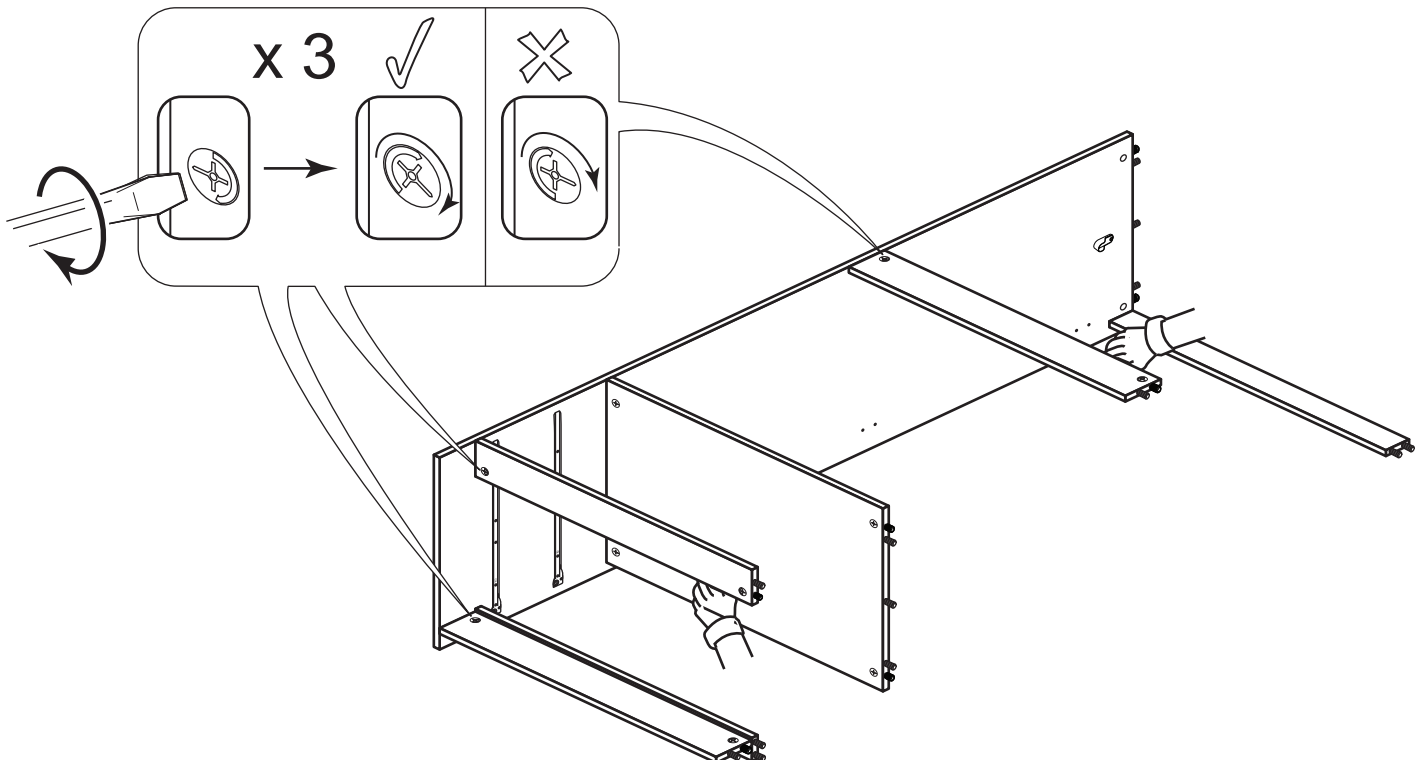


13

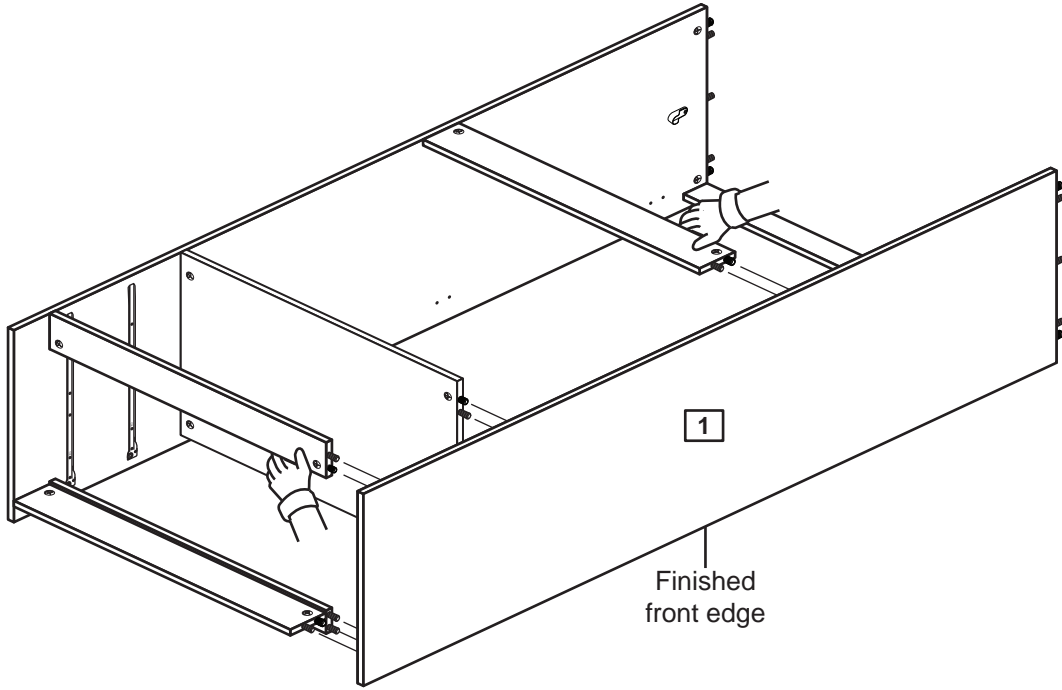


Note: Support these 2 panels until the left side is fitted

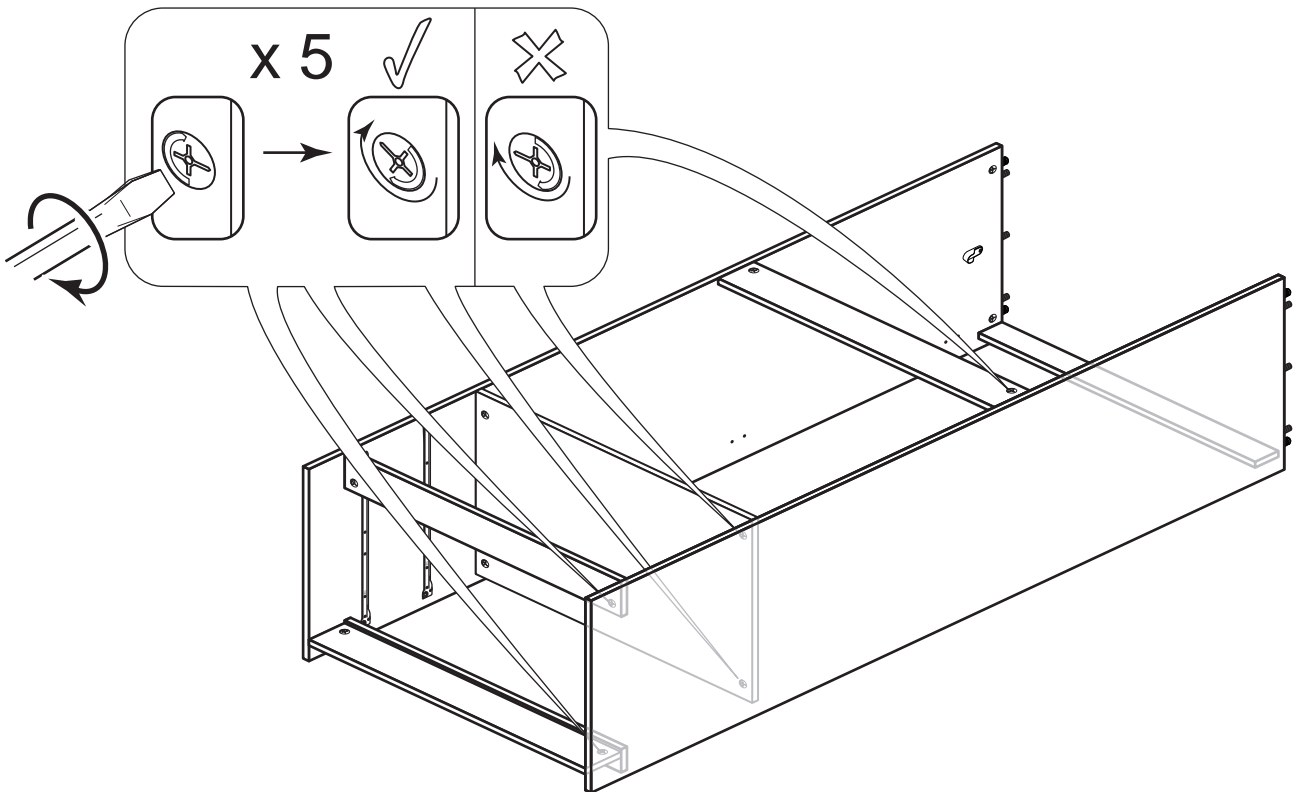
14



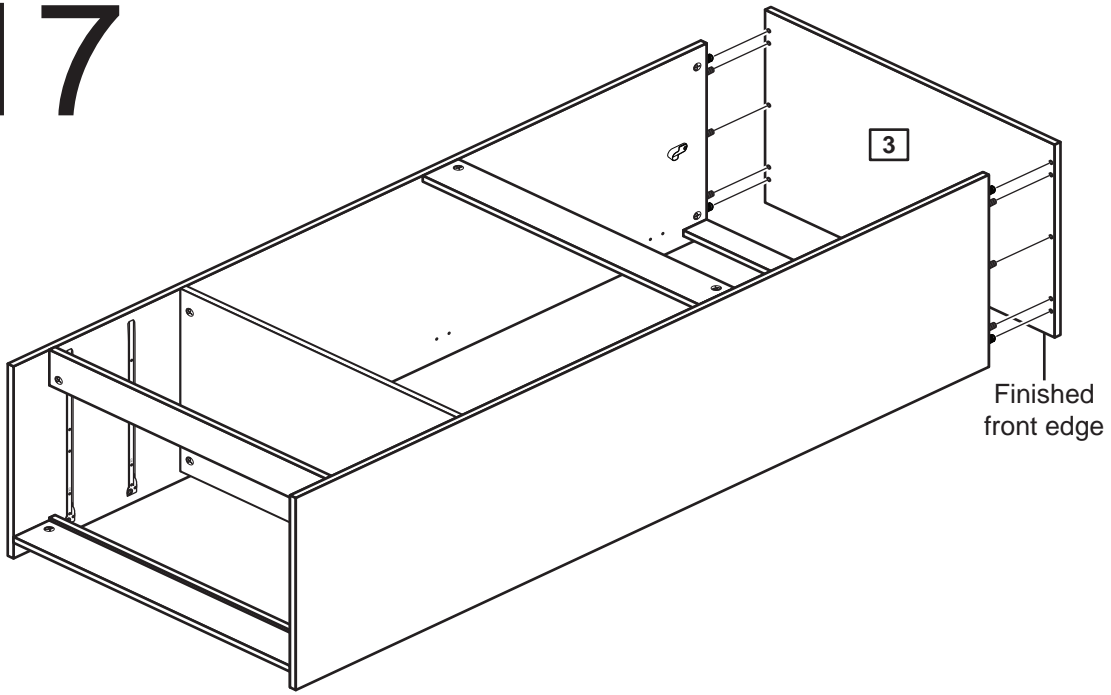
15



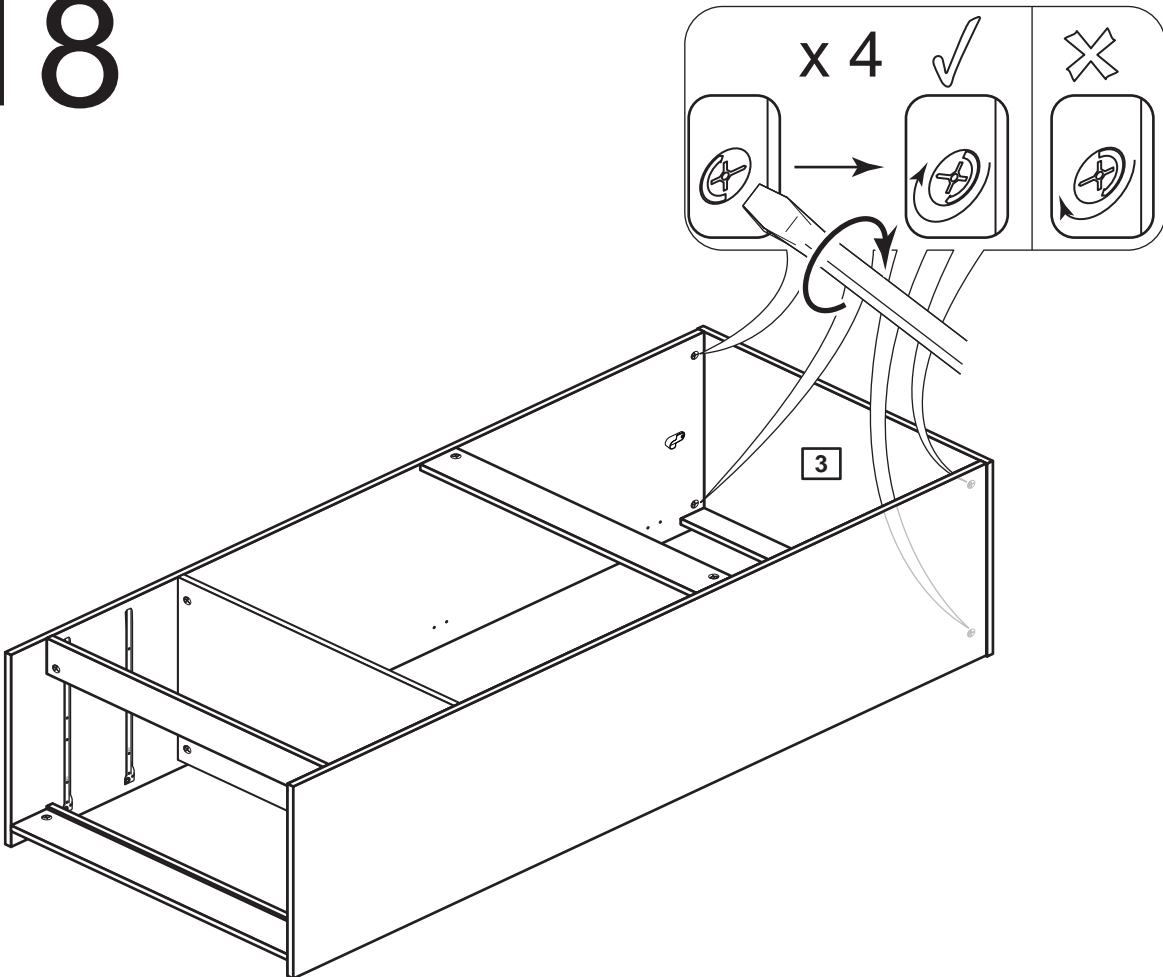
16



17



18



19

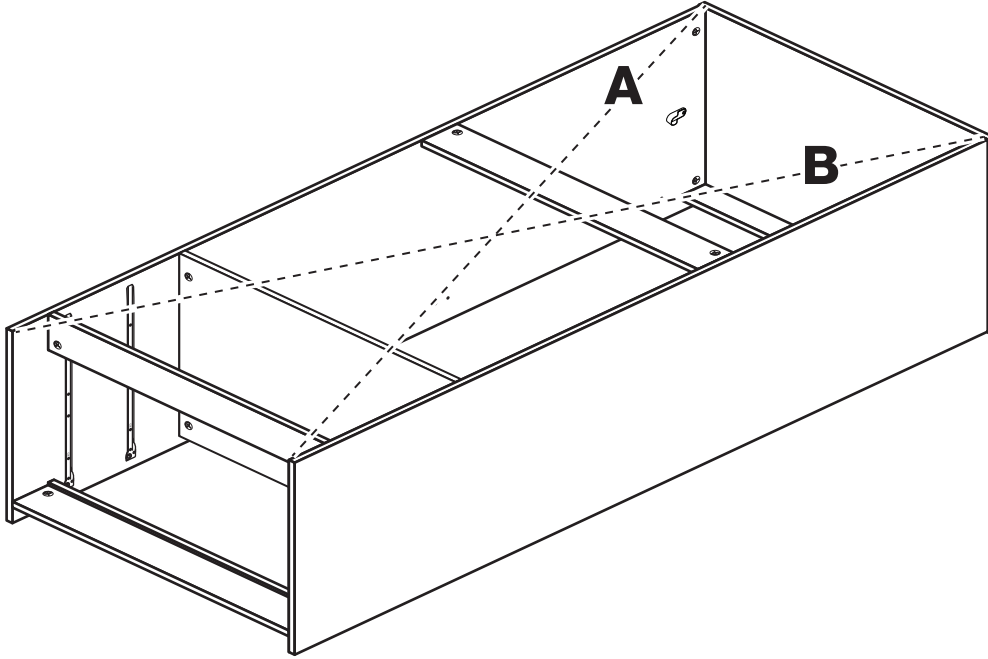


Squaring up a Robe and fitting the Back Panel

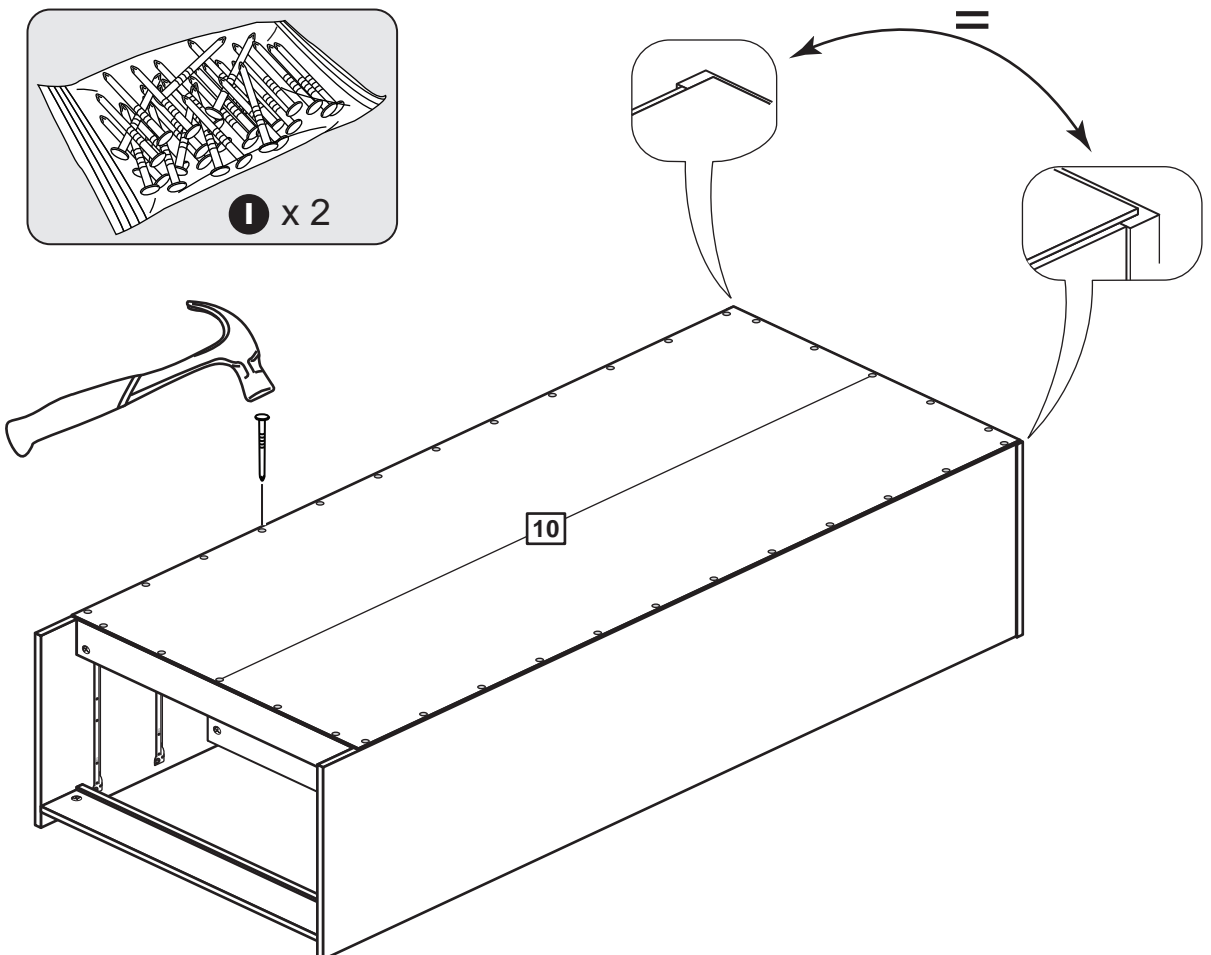
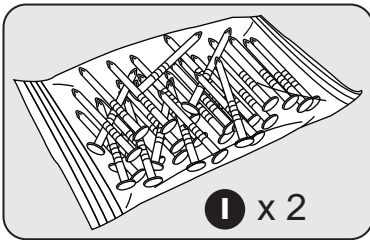
www.youtube.com/watch?v=udEKmXmPEW0



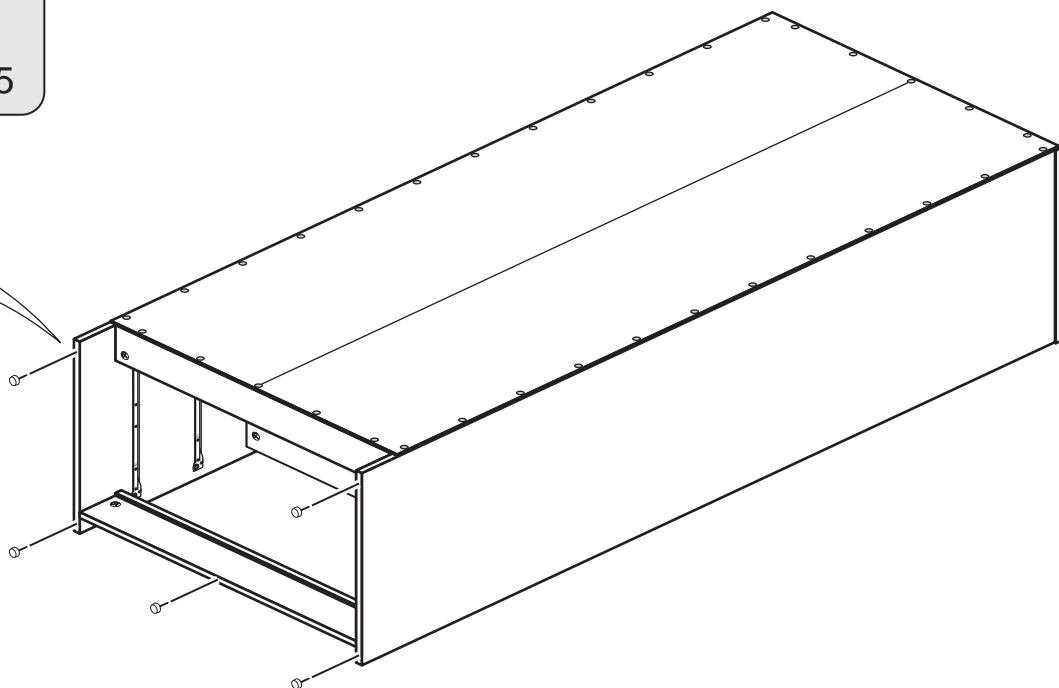
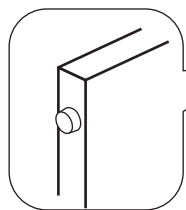
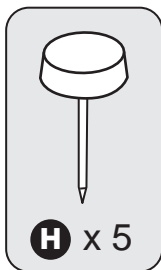
Make sure measurement A and B are the same before attaching panel 10



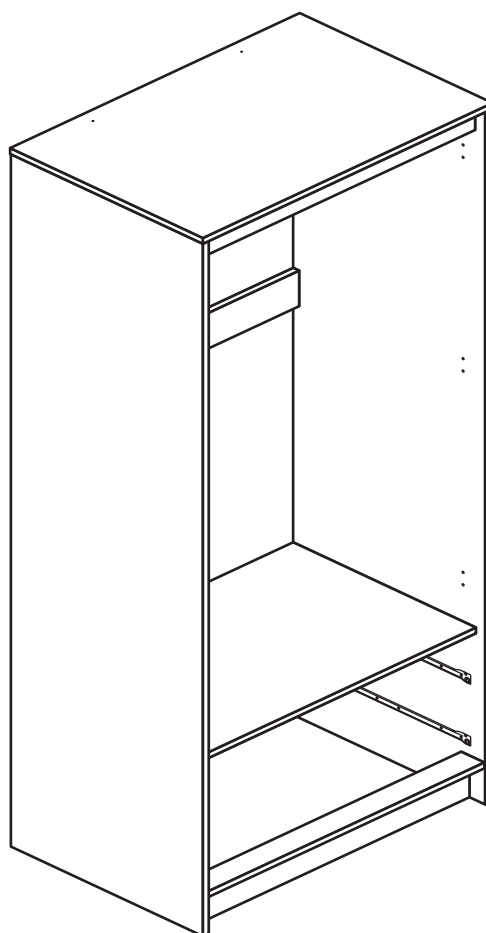
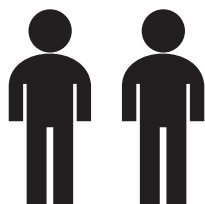
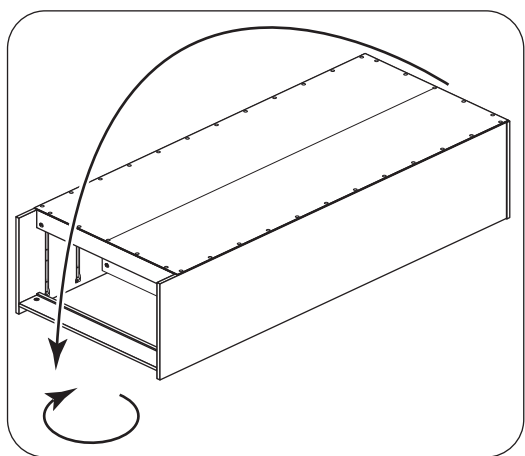
20



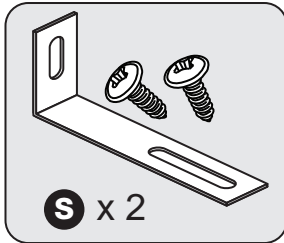
21



22



23

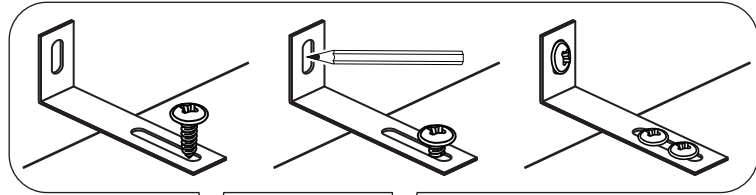


WARNING!
In order to prevent overturning
this product must be used with the
2 wall attachment devices provided

Carefully stand the unit
up and push it up
against the wall.

*See the next section for a guide
to wall mounting and fixings*

Loosely fit the 1st screw
through the brackets
into the top panel.



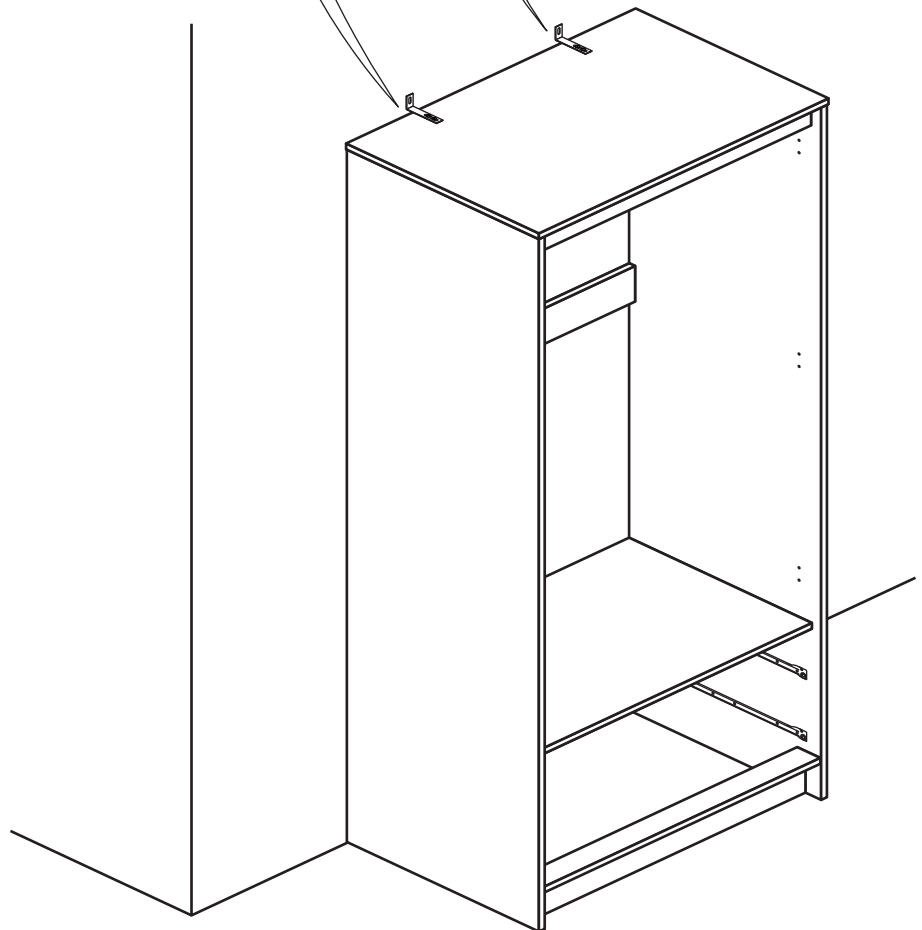
Slide the brackets
against the wall and
mark the slot at the
back of the brackets for
drilling into the wall.

Swivel the brackets
away from the wall and
drill the wall using a
suitable drill-bit and fit
your wall fixings (wall
fixings are not supplied
as they will need to suit
the wall type).

Swivel the brackets
back and fix them to the
wall.

Fit the 2nd screw into
top panel and tighten
both screws from the
kits.

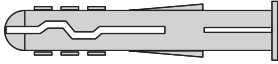
**Note: Take care when
drilling the wall that
you do not drill into
any pipes, wires etc.
If in doubt, consult an
expert.**



A Guide to Wall Mounting & Fixings

Important note:

If plastic wall plugs are supplied with your product:



- these are only suitable for use in masonry walls.

If you are in any doubt about the correct wall plugs for your wall, seek professional advice.


Failure of the product due to using incorrect fixings is the responsibility of the installer.



Important: When drilling into walls always check that there are no hidden wires or pipes etc.

Make sure that the screws and wall plugs being used are suitable for supporting your unit. Consult a qualified tradesperson if you are unsure.

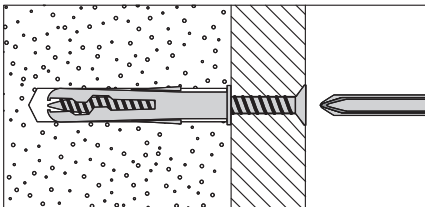
Hints:

- 1: General rule:  Always use a larger screw and wall plug if you are not sure.
- 2: Ensure you use the recommended drill bit to match the wall plug and hole size.
- 3: Ensure you drill the hole horizontally, do not force the drill or enlarge the hole.
- 4: Take extra care when drilling high walls, ceilings and ceramic tiles. Ensure wall plugs are inserted beyond the thickness of the ceramic tiles to avoid the tiles splitting or cracking.
- 5: Ensure wall plugs are well fitted and are a tight fit in the drilled hole.

Types of walls

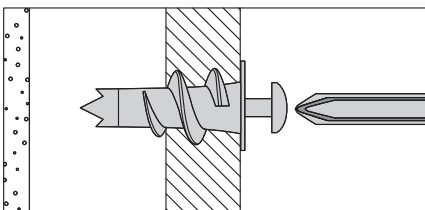
You can use one of the following types of wall plug if your walls are made of brick, breeze block, concrete, stone or wood.

No.1 "General Purpose" wall plug



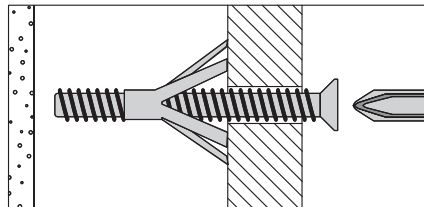
Generally aerated blocks should not be used to support heavy loads, use a specialist fitting in this case. For light loads, general purpose wall plugs can be used.

No.2 "Plasterboard" wall plug



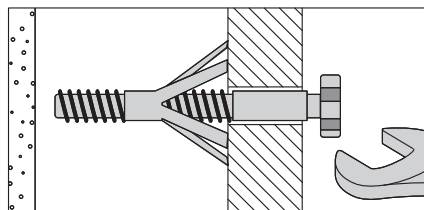
For use when attaching light loads on to plasterboard partitions.

No.3 "Cavity Fixing" wall plug



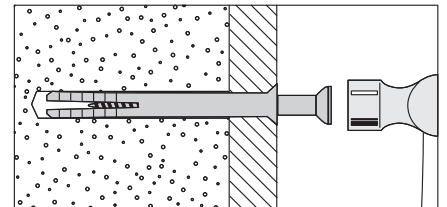
For use with plasterboard partitions or hollow wooden doors.

No.4 "Cavity Fixing-Heavy Duty" wall plug



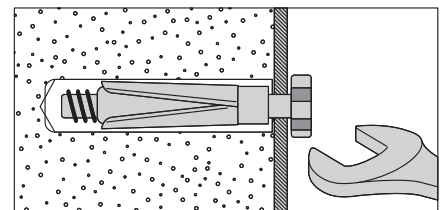
For use when fitting or supporting heavy loads such as shelving, wall cabinets and coat racks.

No.5 "Hammer Fixing" wall plug



For use with walls stuck with plasterboard. The hammer fixing allows it to be fixed to the wall rather than the plasterboard. Always check the fixing is secure to the retaining wall.

No.6 "Shield Anchor" wall plug Heavy loads



For use with heavier loads such as TV & HiFi speakers and satellite dishes etc.

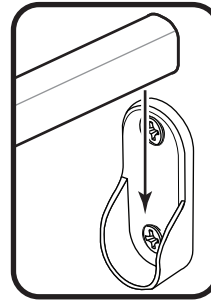
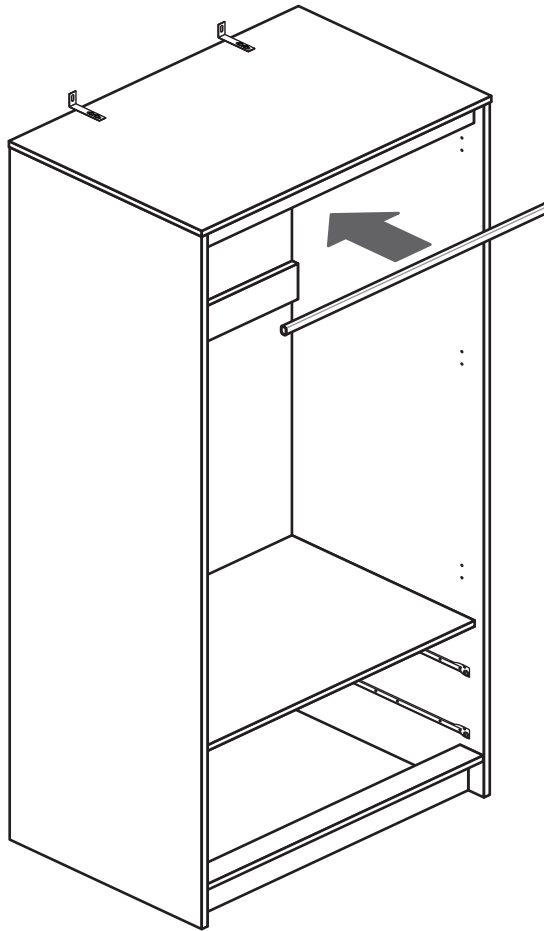
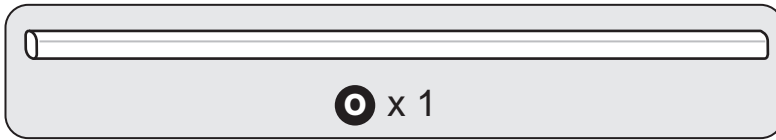


Care & Maintenance

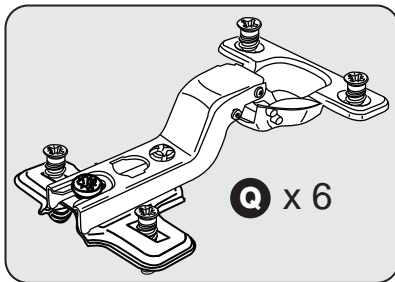
Safety: Always check the fitting and location to ensure your safety in and around the home.

Fitting: From time to time check the fitting to ensure the wall plugs or screws do not become loose.

24

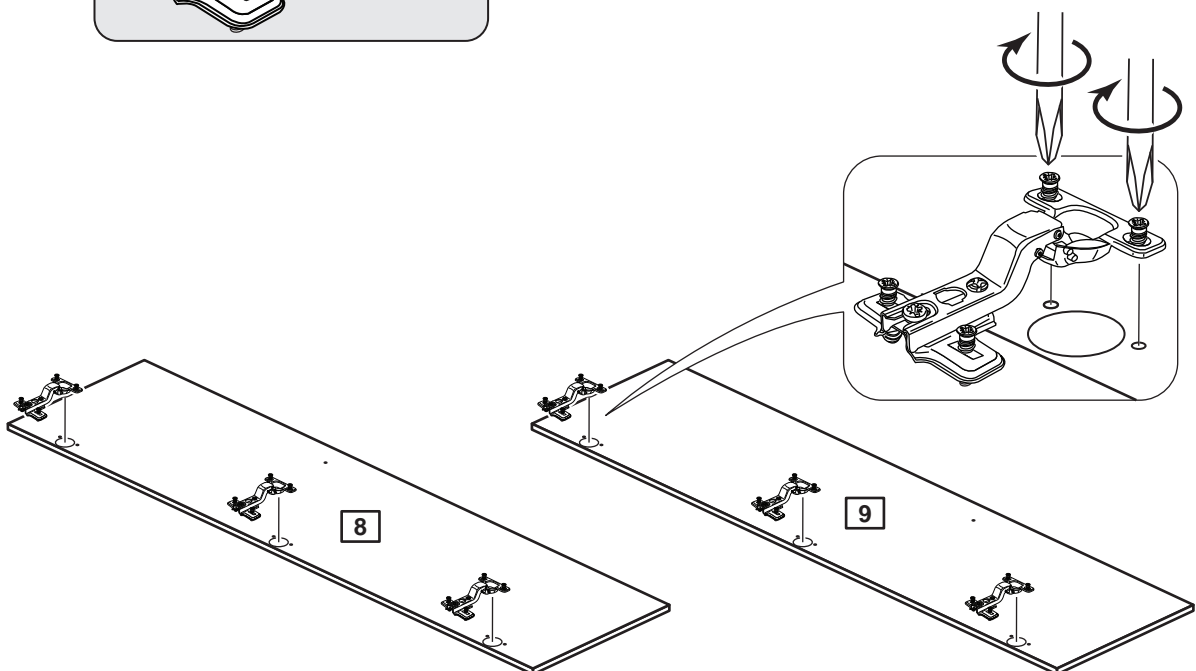


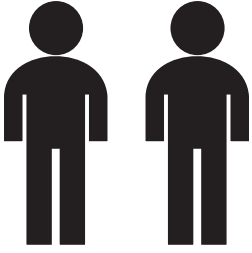
25



Pre-mounted Hinge Fitting & Adjustment

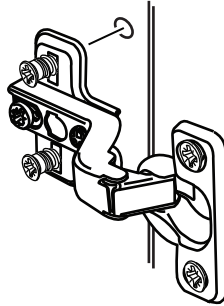
<https://www.youtube.com/watch?v=b4NeCGnpjP8>



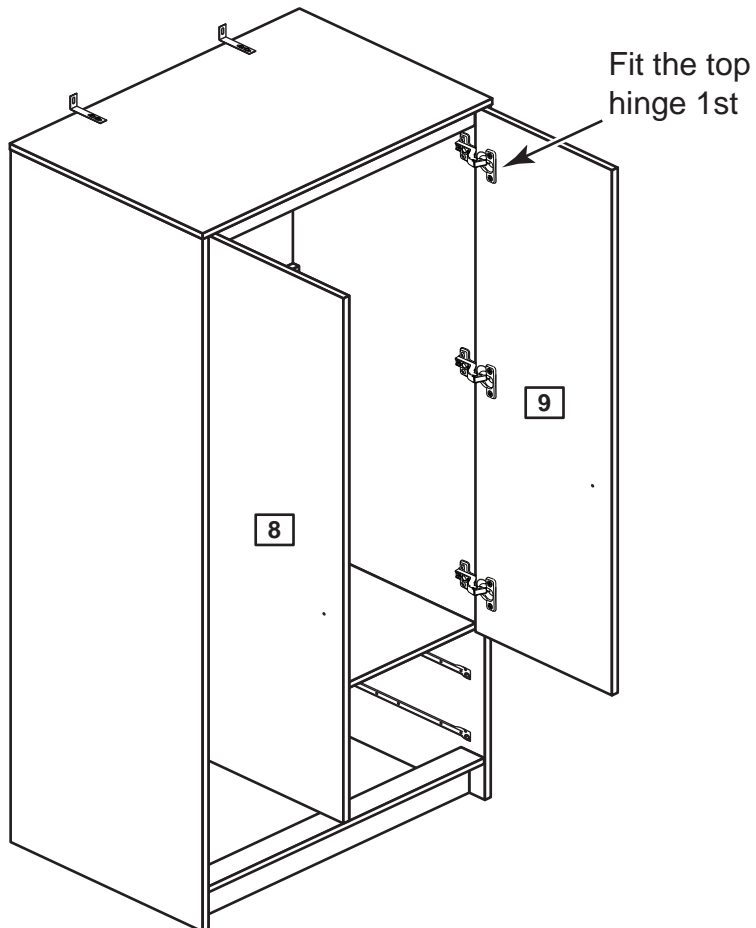
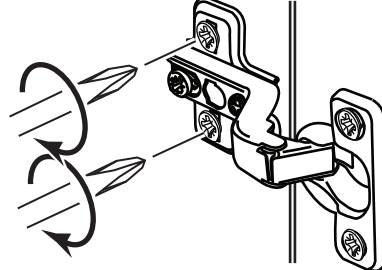


Use 2 people

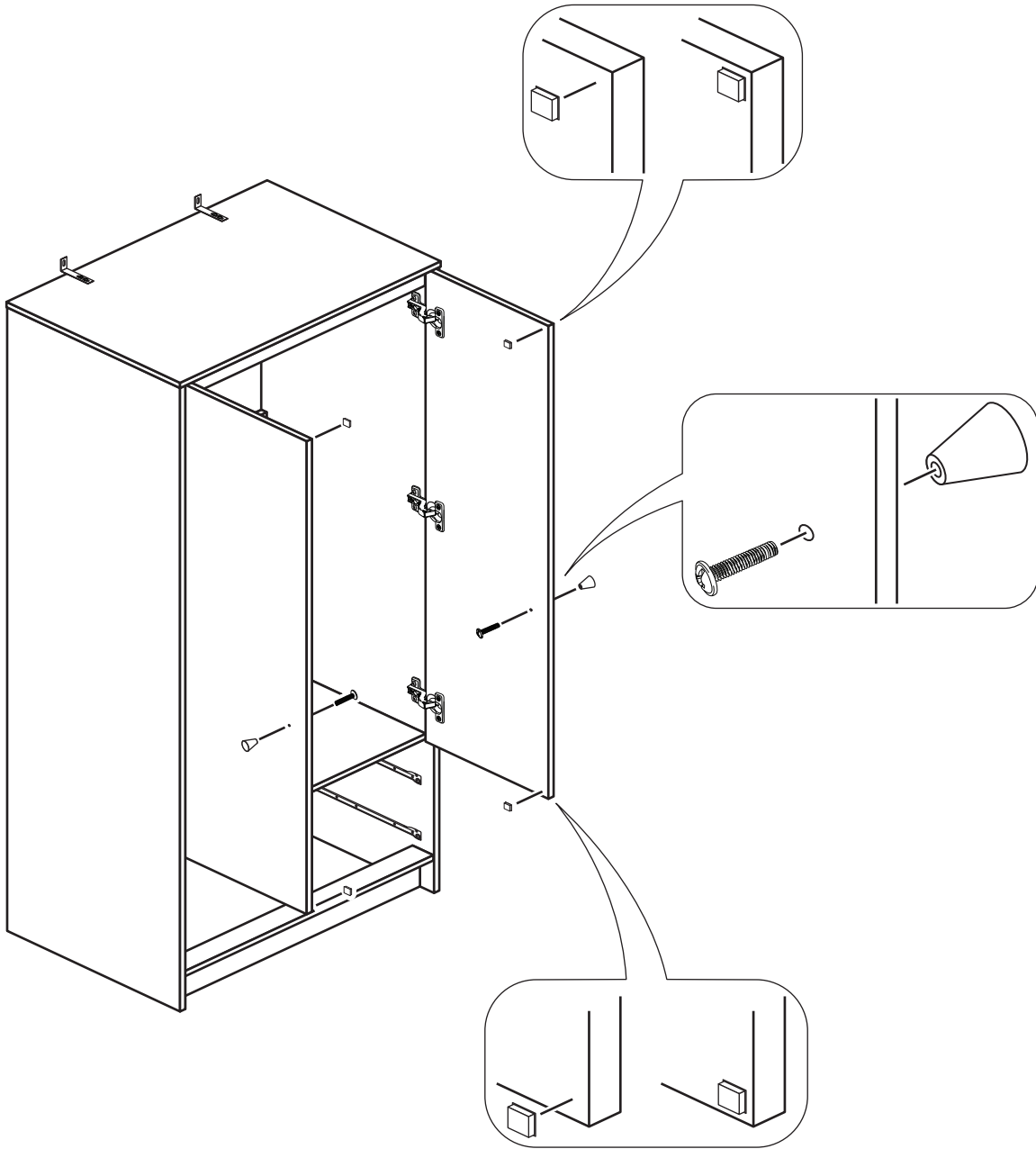
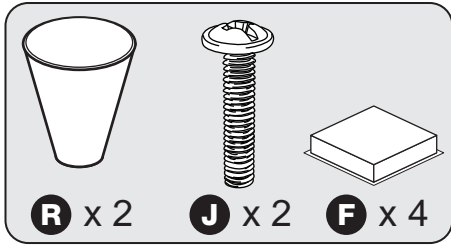
Press the screws into the holes in the panels



When the hinges have been pushed in, tighten up their screws



27





Adjust the doors if needed

a: Before adjusting the doors, use a spirit level to check the base (or top) of the unit is level, front-to-back and side-to-side in the 3 positions shown. Use suitable packing pieces (not supplied) to make the unit level BEFORE making any adjustment to the hinges, as shown.

b: Height adjustment.

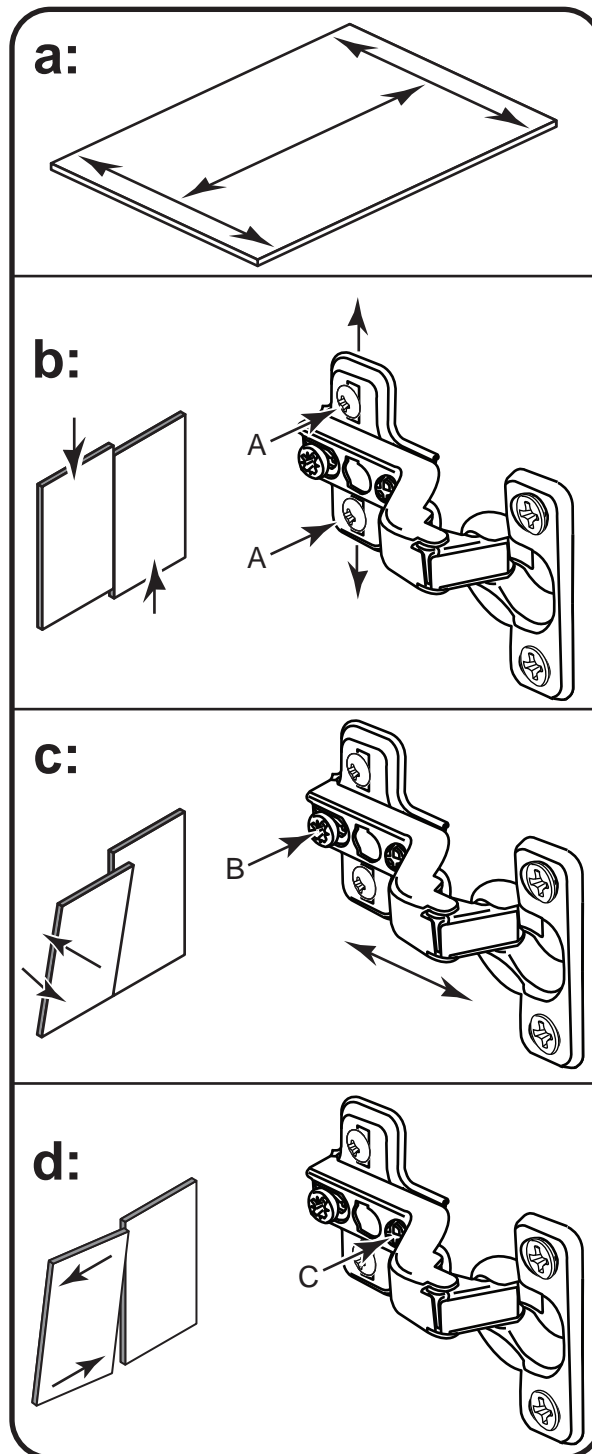
Loosen screws A on hinge plates and move door up or down as required. Retighten screw A.

c: Forward and Back adjustment.

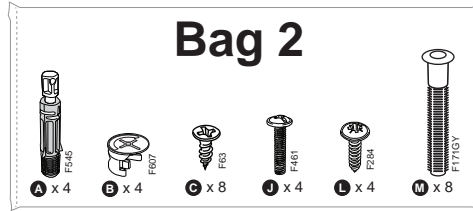
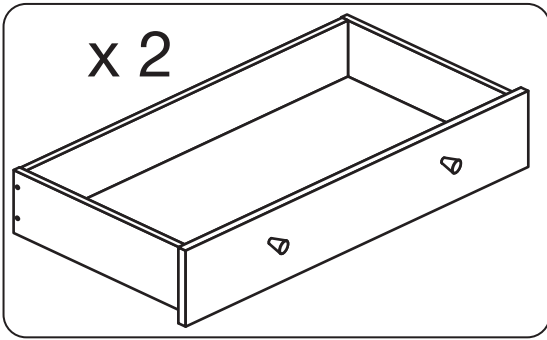
Loosen screw B on hinge plate and move door in or out as required. Retighten screw B.

d: Sideways adjustment.

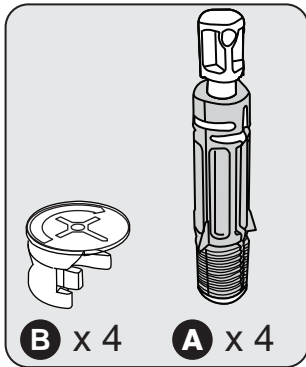
To move door 'out' loosen screw C. To move door 'in' tighten screw C.



Drawer Assembly

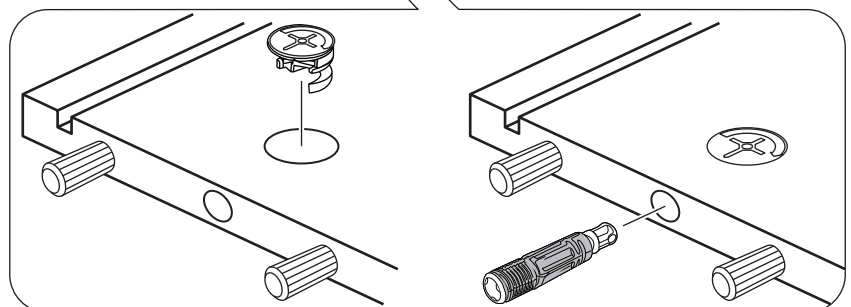
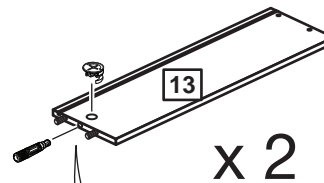
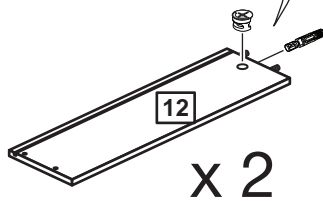
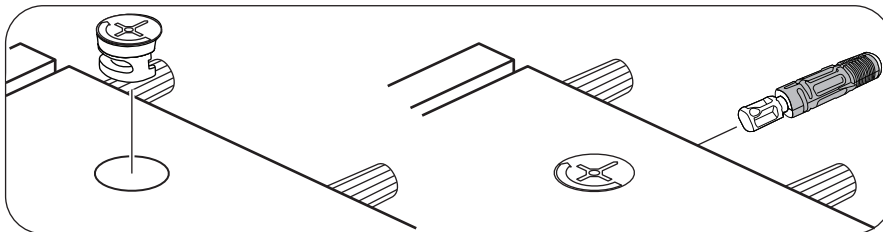


29

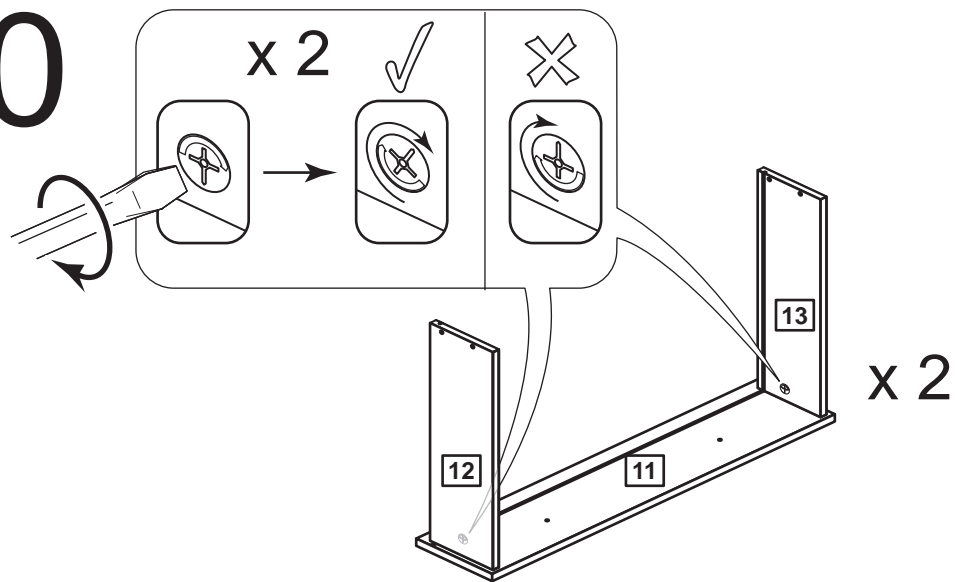


Standard Drawer Box Assembly

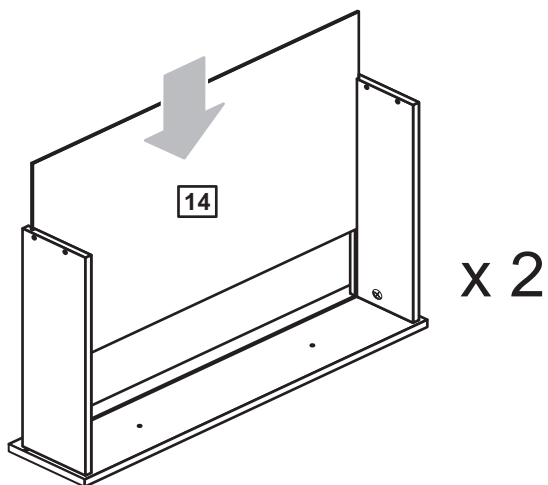
<https://www.youtube.com/watch?v=HclfJdkm-Lg>



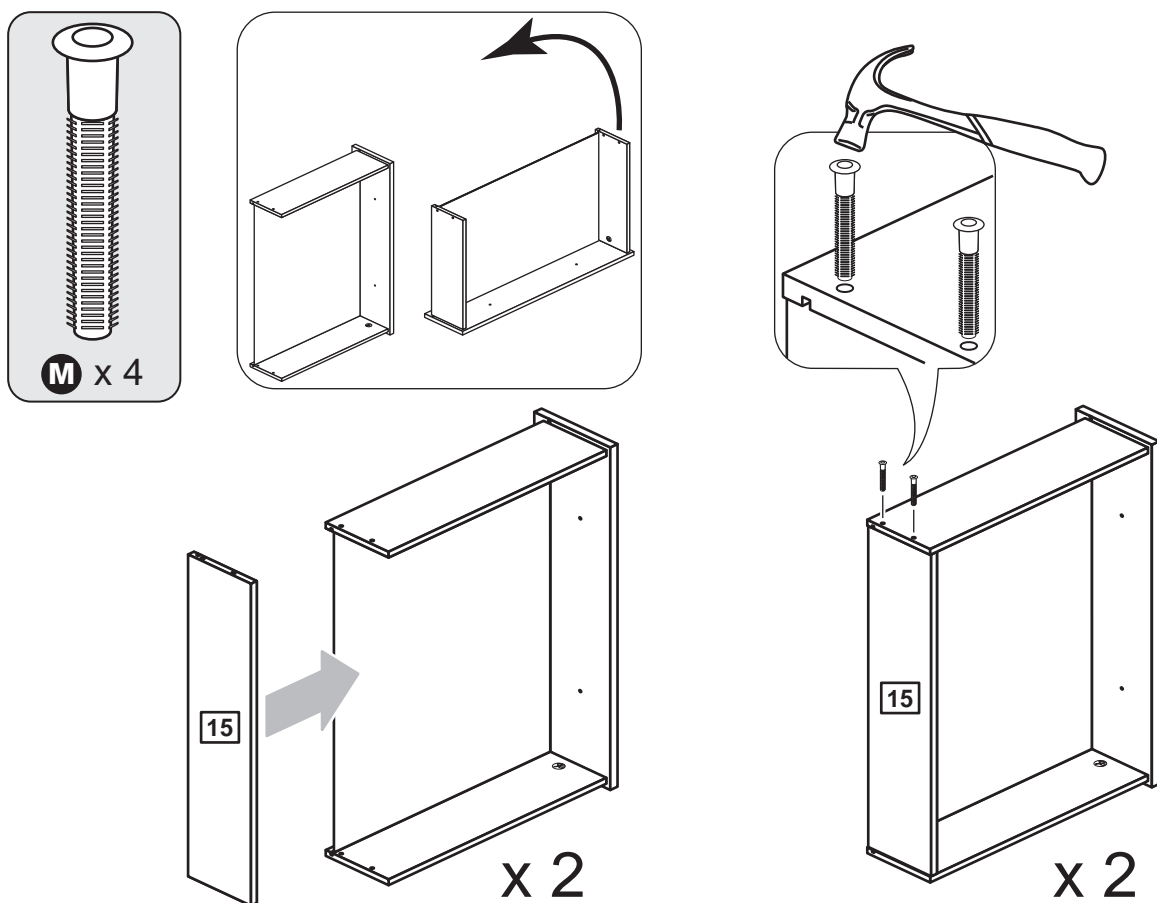
30



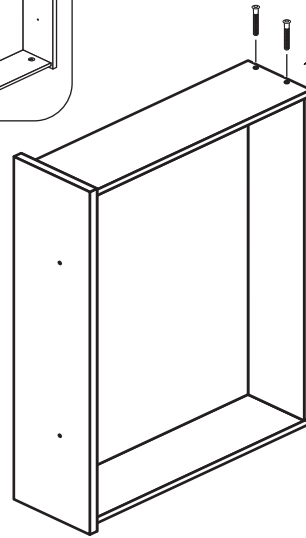
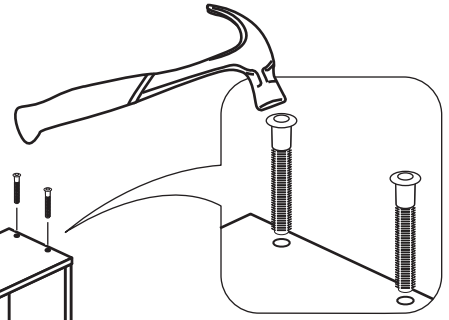
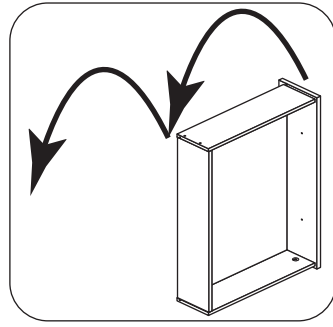
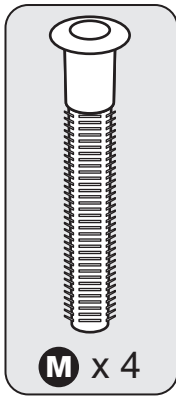
31



32

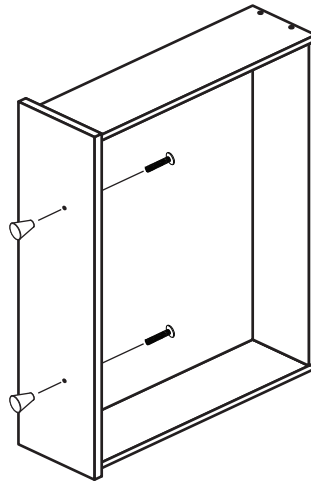
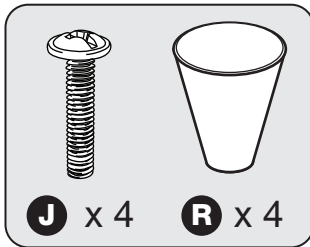


33



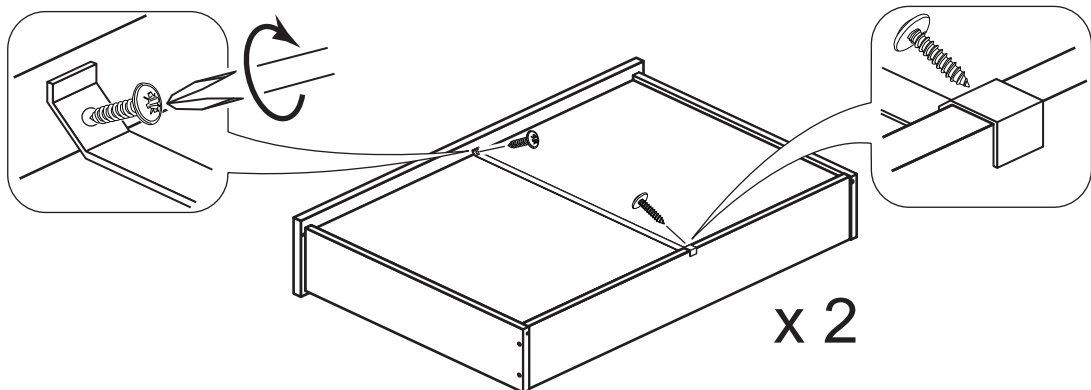
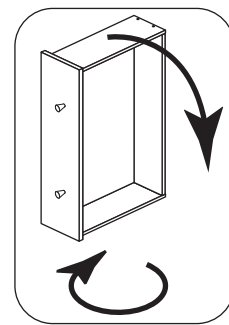
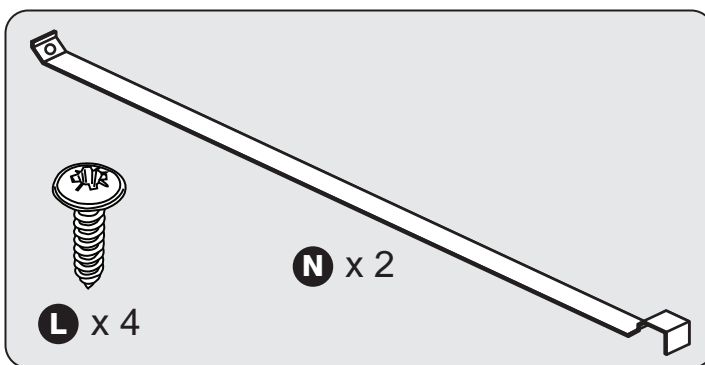
x 2

34



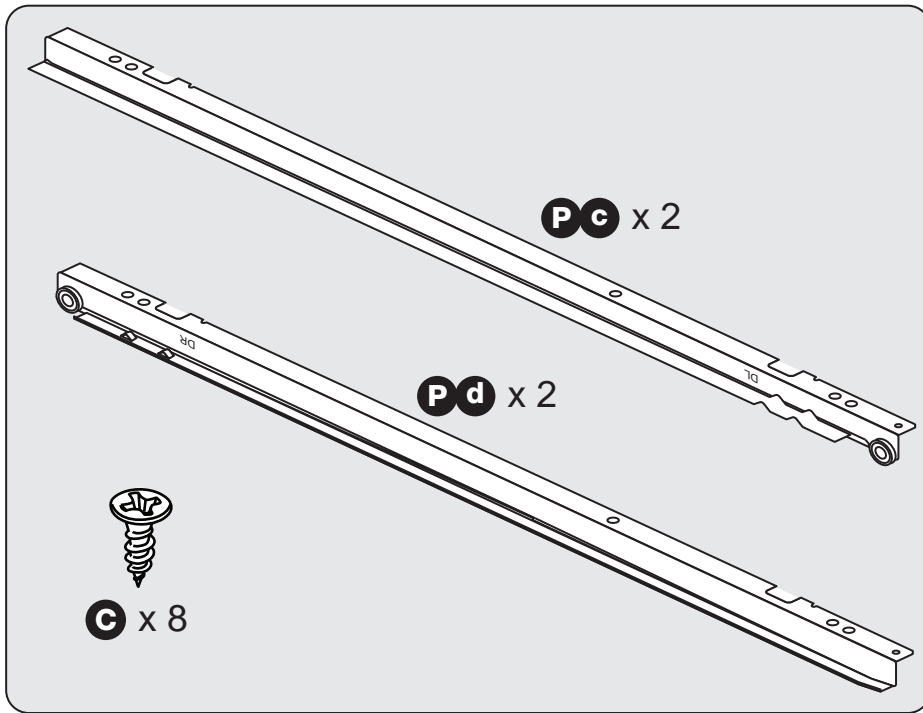
x 2

35



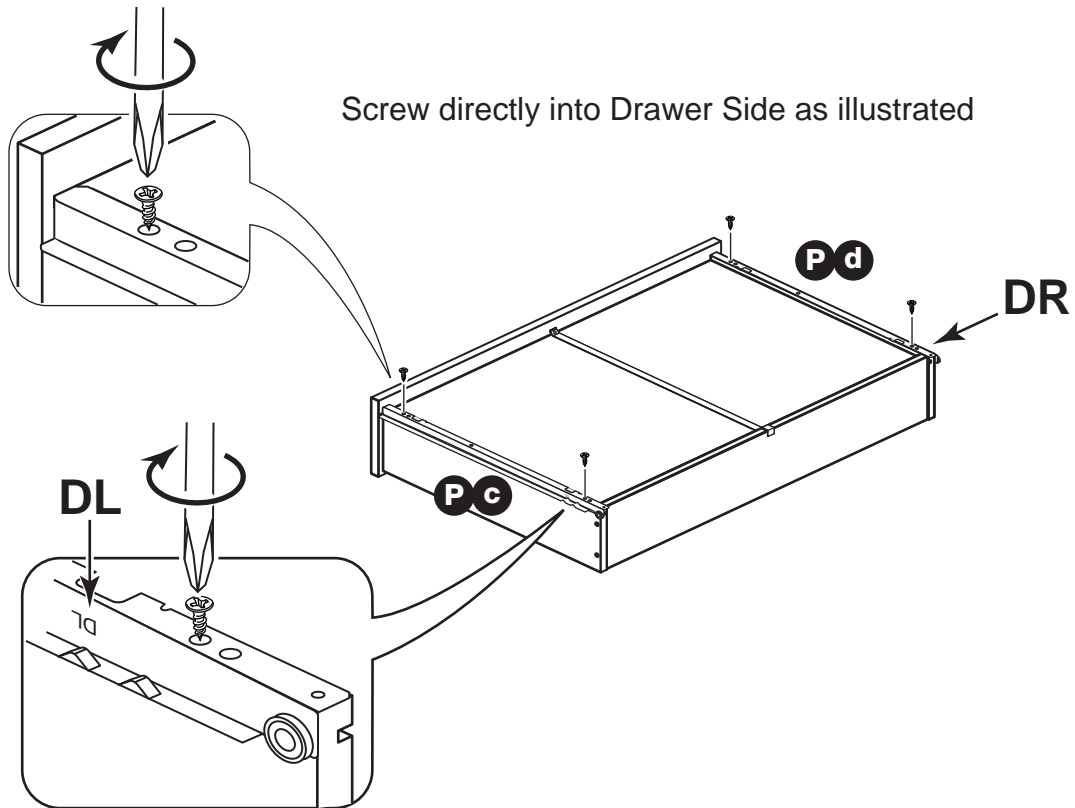
x 2

36



Fixing Bottom Mounted Runners

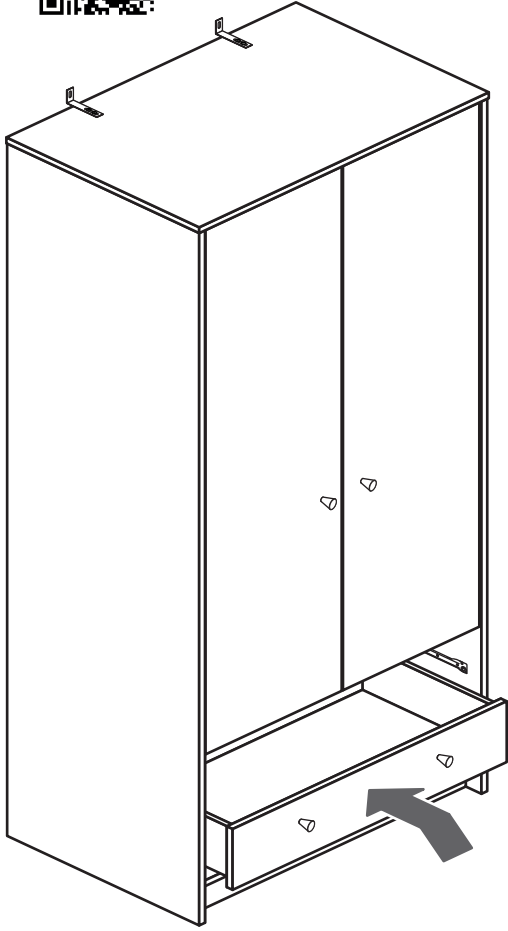
<https://www.youtube.com/watch?v=Z6IGMy19h7Q>



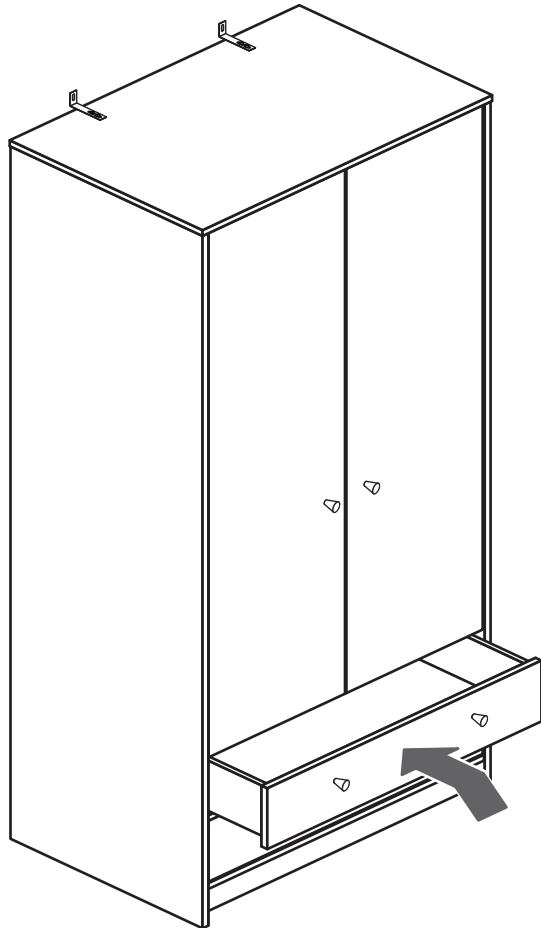
37



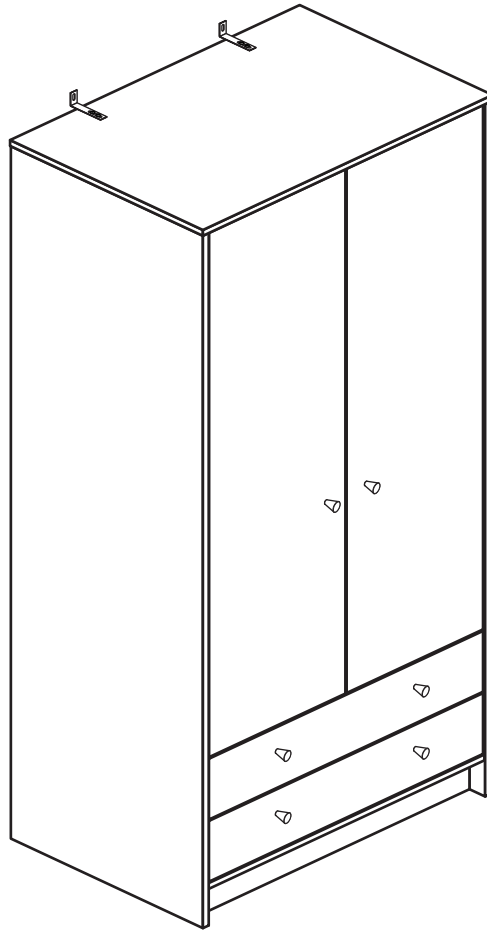
Fixing Bottom Mounted Runners
<https://www.youtube.com/watch?v=Z6IGMy19h7Q>



38



39



Assembly is complete

Please remove any blue protective film from panel edges and clear protective film from panel surfaces