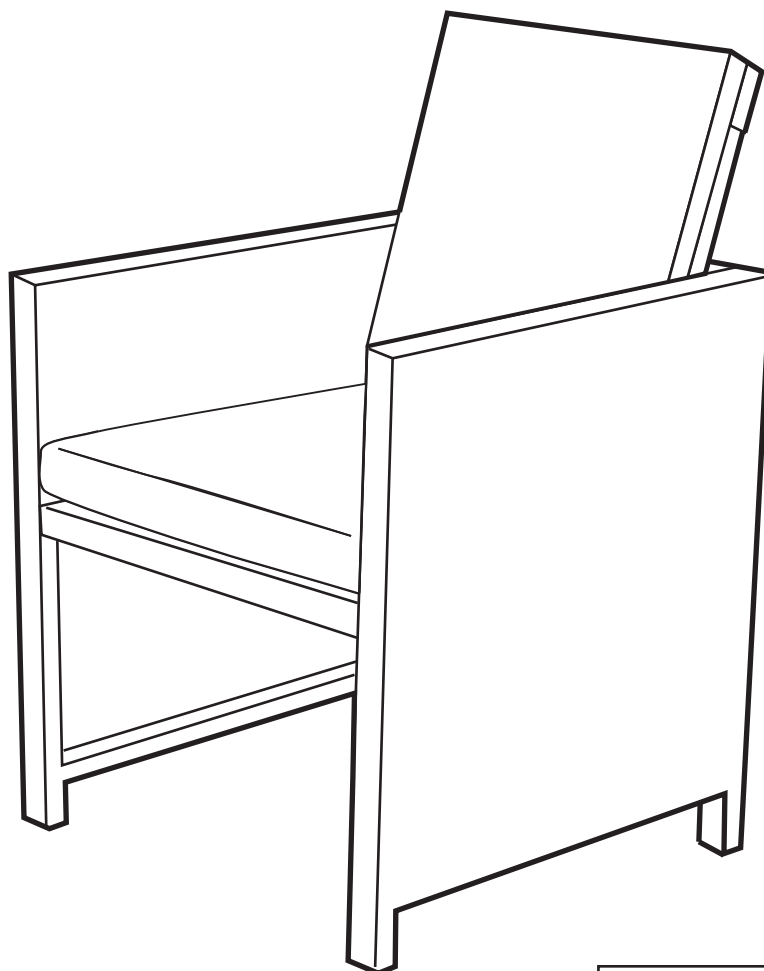


# High Back Cube Chair

Assembly Instructions - Please keep for future reference

459/4598

**Please open all 3 boxes before commencing assembly of the set.  
This box contains 2 chairs.**



## Dimensions

Width - 53cm

Depth - 53cm

Height - 66cm



### **Important:**

Do not fully tighten all nuts until assembly is complete.

**Important** Please read these instructions fully before starting assembly

If you need help or have damaged or missing parts, call the Customer Helpline: 0345 640 0800

For further assistance please visit <http://www.argos-support.co.uk/>

Retailer: Argos

Address: 489-499 Avebury Boulevard Saxon Gate West, Central Milton Keynes Bucks, MK9, 2NW



# Safety and Care Advice

**Important - Please read these instructions fully before starting assembly**

- Check you have all the components and tools listed on pages 2.
- Remove all fittings from the plastic bags and separate them into their groups.
- Keep children and animals away from the work area, small parts could choke if swallowed.
- Make sure you have enough space to layout the parts before starting.

- Do not stand or put weight on the product during assembly, this could cause damage.
- Assemble the item as close to its final position (in the same room) as possible.
- Assemble on a soft level surface to avoid damaging the chair or your floor.
- Parts of the assembly will be easier with 2 people.



- We do not recommend the use of power drill/drivers for inserting screws, as this could damage the unit. Only use hand screwdrivers.
- Dispose of all packaging carefully and responsibly.
- Maximum safe seated weight: 110kgs.

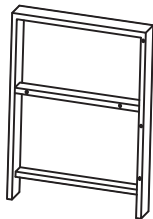
## Care and maintenance

- Only clean using a damp cloth and mild detergent, do not use bleach or abrasive cleaners.
- From time to time check that there are no loose nuts on this chair.
- This product should not be discarded with household waste. Take to your local authority waste disposal centre.
- Make sure each studs matches the corresponding figure to ensure correct assembly.
- Assemble all parts and nuts loosely during assembly, only once the product is complete should you fully tighten the nuts.

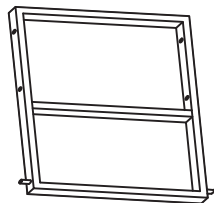
# Components-Parts

If you have damaged or missing components, call the Customer Helpline: 03456 400 800  
For further assistance please visit <http://www.argos-support.co.uk/>

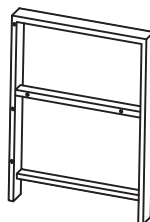
Please check you have all the parts listed below



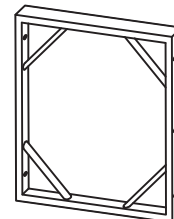
1 Left panel x 1



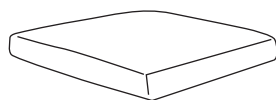
2 Back panel x 1



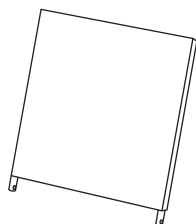
3 Right panel x 1



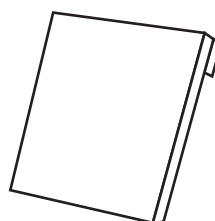
4 Seat panel x 1



5 Seat cushion x 1



6 Back x 1



7 Back cushion x 1

# Components-Fittings

Please check you have all the fittings listed below

**Note:** The quantities below are the correct amount to complete the assembly. In some cases more fittings may be supplied than are required.



A Stud x 9  
M6x45



B Washer x 11  
M6



C Nut x 9  
Ø 6X1.0



D Screw x 2



E Screw cap x 2

## Tools required



1xWrench



1 x Allen key

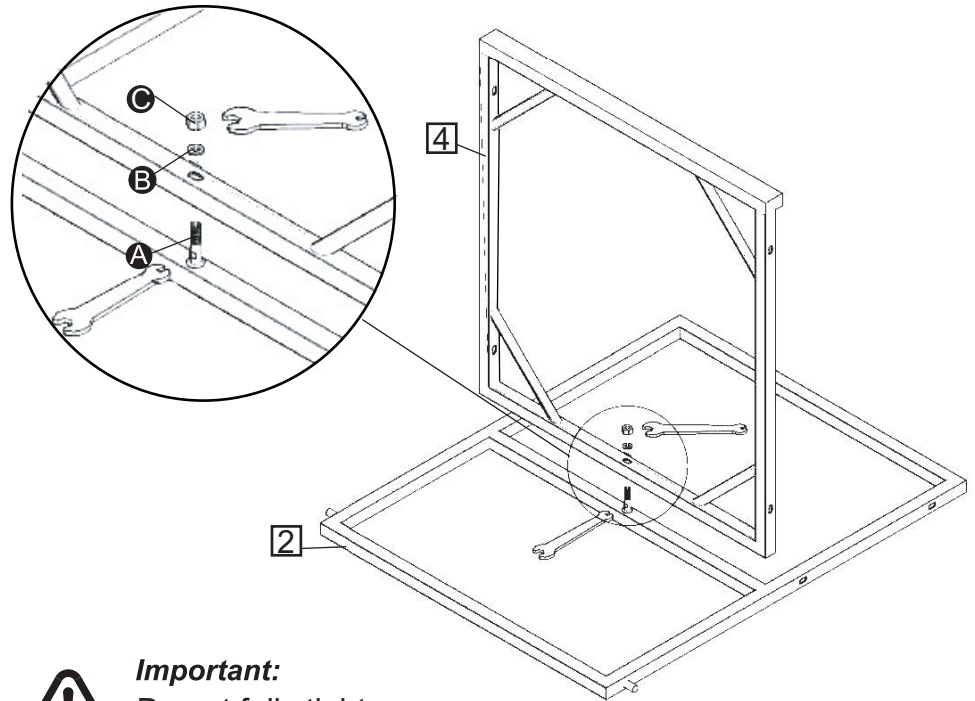
Ruler - Use this ruler to help correctly identify the screws

# Assembly Instructions

## Step 1

### Fit seat panel to back panel

Use stud **A**, washer **B**, and nut **C** to fix the seat panel **4** to back panel **2** by wrench.

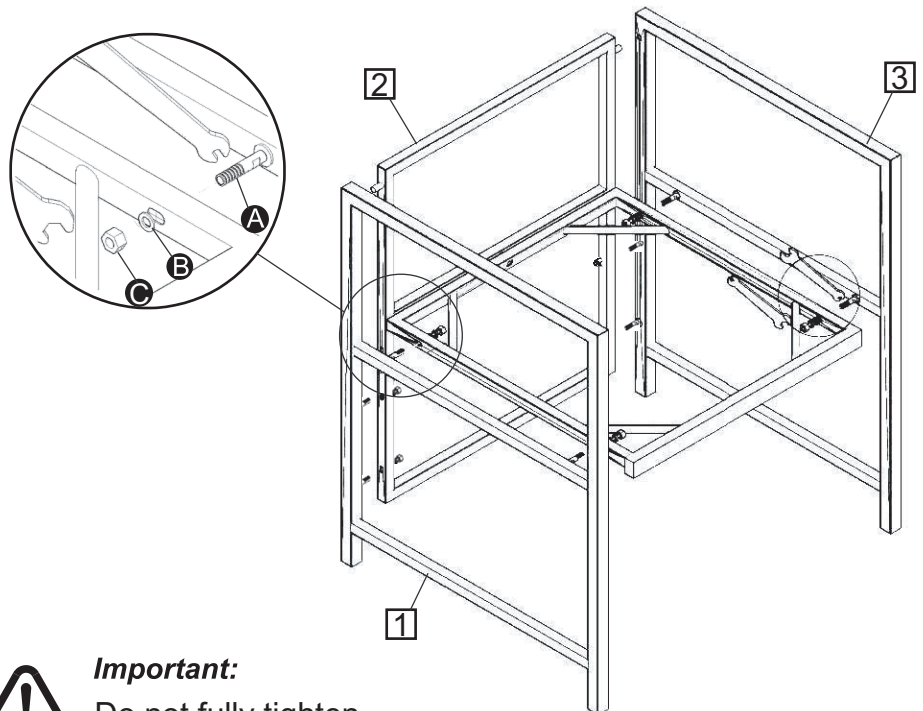


**Important:**  
Do not fully tighten nuts at this stage.

## Step 2

### Fit left and Right panel to back panel

Use stud **A**, washer **B**, and nut **C** to fix the left panel **1** and right panel **3** to back panel **2** by wrench.



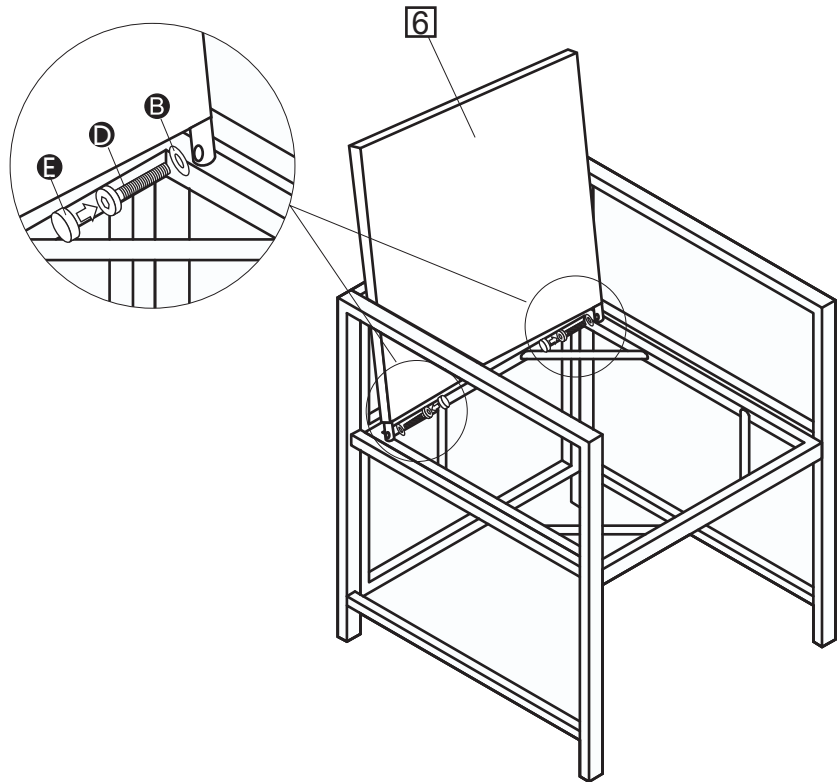
**Important:**  
Do not fully tighten nuts at this stage.

# Assembly Instructions

## Step 3

Fit back to the chair

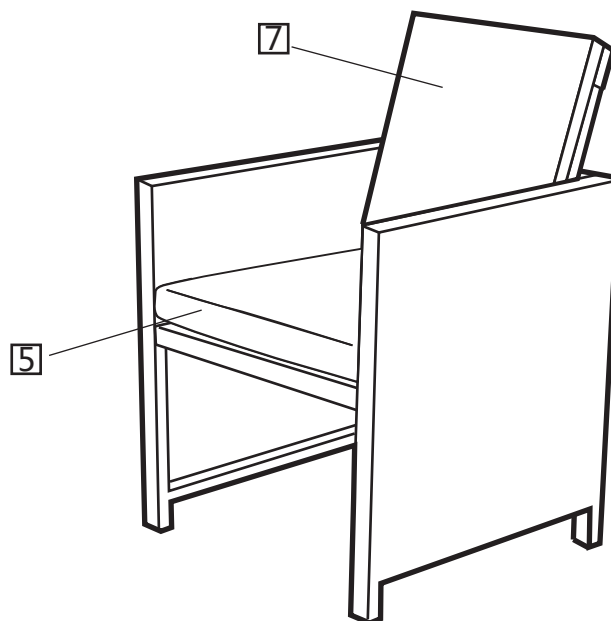
Use screw **D** washer **B** to fix the back **6** to the chair, then cover the screw with the screw cap **E**.



## Step 4

Tighten all the nuts

Tighten all the nuts, place the cushion on the chair and turn the chair to its upright position.



**Important:**

After all the parts are positioned, you can now fully tighten all nuts fixed on previous steps.

**Assembly is complete**

If you need help or have damaged or missing parts, call the Customer Helpline: 0345 640 0800

For further assistance please visit <http://www.argos-support.co.uk/>

Retailer: Argos

Address: 489-499 Avebury Boulevard Saxon Gate West, Central Milton Keynes Bucks, MK9, 2NW