

4',4'6 and 5' Lavendon End Opening Ottoman Bed

Assembly Instructions – Please keep for future reference

3979286

4129626

4183040

5723681

5744866

5747588

7118225

7118294

7232936

7238105

7343997

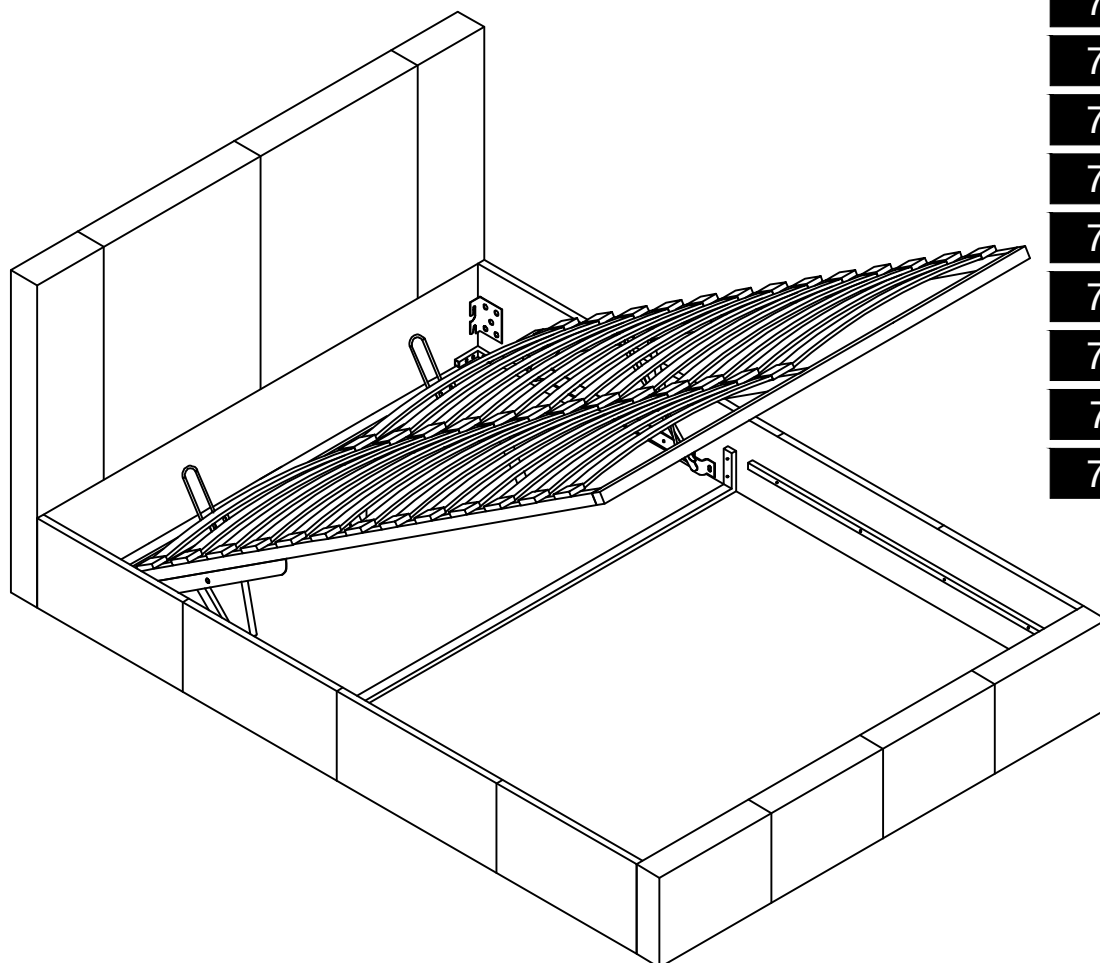
7345328

7392395

7396951

7420937

hygena



Dimensions (4')

Length - 203cm
Width - 130cm
Height - 82cm

Dimensions (4'6)

Length - 203cm
Width - 145cm
Height - 82cm

Dimensions (5')

Length - 213cm
Width - 160cm
Height - 82cm

Important – Please read these instructions fully before starting assembly

If you need help or have damaged or missing parts, call the **Customer Helpline: 0345 6400 800**



Safety and Care Advice

Important – Please read these instructions fully before starting assembly

Check you have all the components and tools listed on pages 2, 3 and 4.

Remove all fittings from the plastic bags and separate them into their groups.

Keep children and animals away from the work area, small parts could choke if swallowed.

Make sure you have enough space to layout the parts before starting.

Assemble the item as close to its final position (in the same room) as possible.

Assemble on a soft level surface to avoid damaging the unit or your floor.

Assembly requires 2 people.

Do not fully tighten bolts until the whole bed is assembled. Do not overtighten the nuts to avoid causing damage to the threads.



We do not recommend the use of power drill/drivers **for inserting screws**,

as this could damage the unit. Only use hand screwdrivers and Allen keys.

Dispose of all packaging carefully and responsibly.

Cleaning Guidance

Minor stains and spillages should be removed immediately from cushion fabric, by wiping over lightly with a damp cloth and mild soapy water.

Light marking can also be removed using this method.

To remove more stubborn stains or marking, a good quality proprietary domestic fabric cleaner can be used, although it should first be tested on and inconspicuous area of the fabric.

Care and maintenance

Only clean using a damp cloth and mild detergent, do not use bleach or abrasive cleaners.

From time to time check that there are no loose screws on this unit.

This product should not be discarded with household waste. Take to your local authority waste disposal centre.

Important Ottoman Safety Warnings

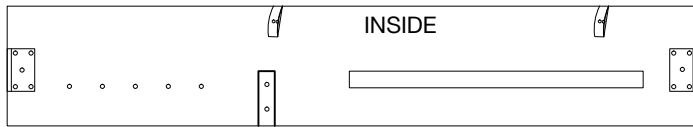
- Caution. This bed uses a pressurised mechanism.
- Use caution when operating - Always use two hands at arm's length, and only where illustrated on the product.
- You must ensure the mattress is on the bed frame before lifting the mechanism - Failure to do so may result in injury.
- Please ensure Children and pets are kept away from the bed when operating the bed mechanism.
- If removing the mattress, make sure that the frame is secured as it could flip open.
- Only use the storage compartment when the frame is fully raised in the 'up' position.
- No children or animals are left unattended when the frame is in the 'up' position.
- Do not remain on the bed whilst the lifting mechanism is in use.
- Beware of Entrapment - Keep both hands clear of mechanism when operating the mechanism.
- When lifting the bed remove all bedding - Except the fitted sheet.



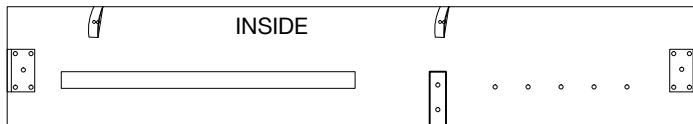
Components - Parts

If you have damaged or missing components, call the **Customer Helpline: 0345 6400 800**

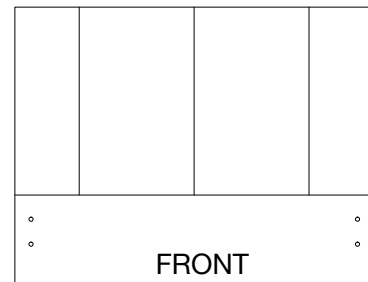
Please check you have all the parts listed below



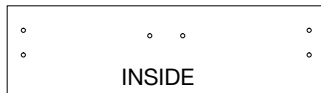
1 Right side rail (4'/4'6"-1930 x 310mm)(5'-2030 x 310mm)



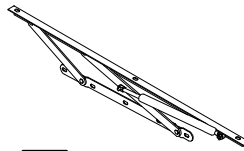
2 Left side rail (4'/4'6"-1930 x 310mm)(5'-2030 x 310mm)



3 Headboard (4'-1300 x 810mm)
(4'6"-1450 x 810mm)(5'-1600 x 810mm)



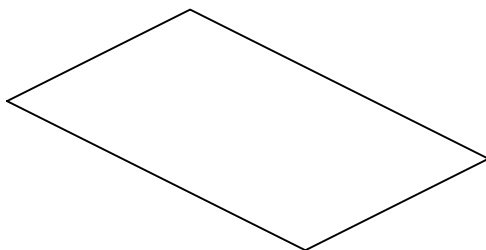
4 Footboard (4'-1300 x 310mm)
(4'6"-1450 x 310mm)(5'-1600 x 310mm)



5 Hinge Mechanism
(x 1 pair)
NOTE: PISTON ATTACHED



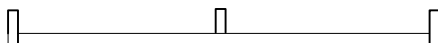
6 Foot x 4 (Ø3.5*15mm)



7 Fabric base x 1
(4'-1960 x 1270mm)(4'6"-1960 x 1420mm)
(5'-2060 x 1570mm)



8 Support Leg x 2 (25 x 210mm)



9 Ottoman end frame (Headboard) x 1
(4'-1213 x 85mm)(4'6"-1363 x 85mm)
(5'-1513 x 85mm)
NOTE: EXTRA HOLES

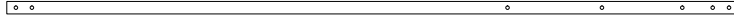


10 Ottoman end frame (Footboard) x 1
(4'-1213 x 85mm)(4'6"-1363 x 85mm)
(5'-1513 x 85mm)

Components - Parts

If you have damaged or missing components,
call the Customer Helpline: 0345 6400 800

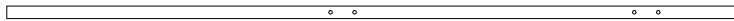
Please check you have all the parts listed below



- 11** Ottoman frame (Sides) x 2
(4'4'6-1822*30mm)(5'-1922*30mm)



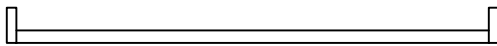
- 13** Bentwood slats x28(4'-598*9*53mm)
Bentwood slats x28(4'6-675*9*53mm)
Bentwood slats x30(5'-750*9*53mm)



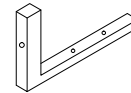
- 12** Ottoman frame centre support x 1
(4'4'6-1822*30mm)(5'-1922*30mm)



- 14** Double slat caps x 14 (4'-55mm)
Double slat caps x 14 (4'6-55mm)
Double slat caps x 15 (5'-55mm)



- 15** Stretcher x 1
(4'-1240 x 25mm)(4'6-1390 x 25mm)
(5'-1540 x 25mm)



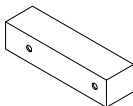
- 16** Corner bracket x 4 (120 x 80mm)



- 17** Mattress support
bracket x 2 (Ø8*65mm)



- 18** Single slat caps x 28 (4'-55mm)
Single slat caps x 28 (4'6-55mm)
Single slat caps x 30 (5'-55mm)



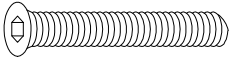
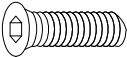
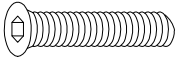
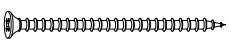

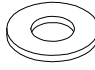
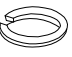
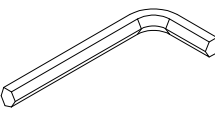
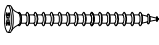

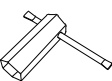
- 19** Ottoman frame support x 1
(130 x 30mm)

Components - Fittings

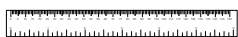
If you have damaged or missing components, call the **Customer Helpline: 0345 6400 800**

Please check you have all the fittings listed below

Note: The quantities below are the correct amount to complete the assembly. In some cases more fittings may be supplied than are required.

<p>A</p>  <p>45mm M8 Bolt x 8</p>	<p>B</p>  <p>25mm M8 Bolt x 20</p>	<p>C</p>  <p>30mm M8 Bolt x 18</p>
<p>D</p>  <p>45mm M4 Wood screw x 16</p>	<p>E</p>  <p>Nut x 6</p>	<p>F</p>  <p>17mm Flat washer x 46</p>
<p>G</p>  <p>12mm Spring washer x 20</p>	<p>H</p>  <p>5mm Allen key x 1</p>	<p>J</p>  <p>30mm M4 Wood screw x 4</p>
<p>K</p>  <p>Spanner x 1</p>	<p>L</p>  <p>Box spanner x 1</p>	

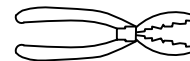
Tools required



Ruler/tape measure

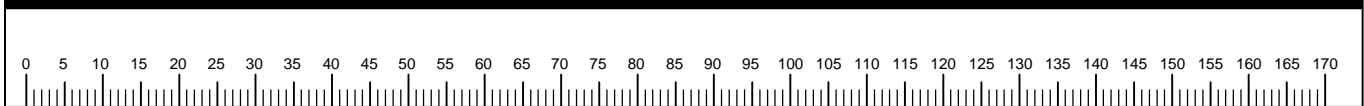


Phillips screwdriver (Not supplied)



PLIERS (Not supplied)

Ruler - Use this ruler to help correctly identify the screws



Assembly Instructions

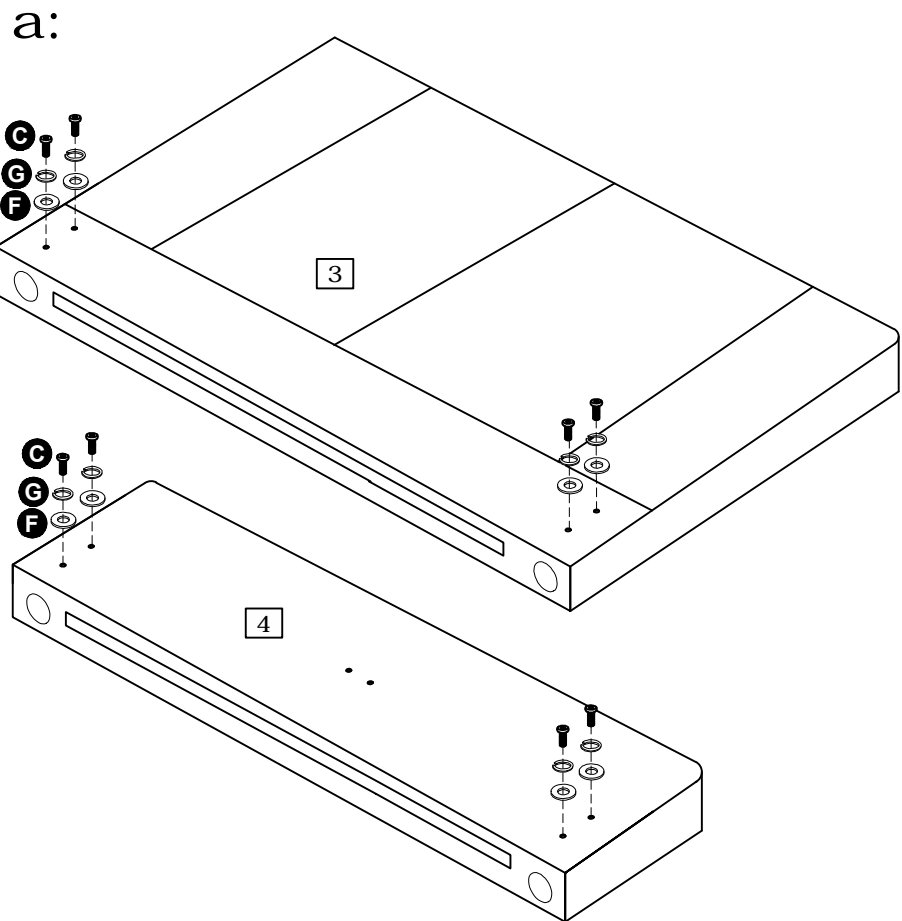
Step 1

Preparing headboard and footboard

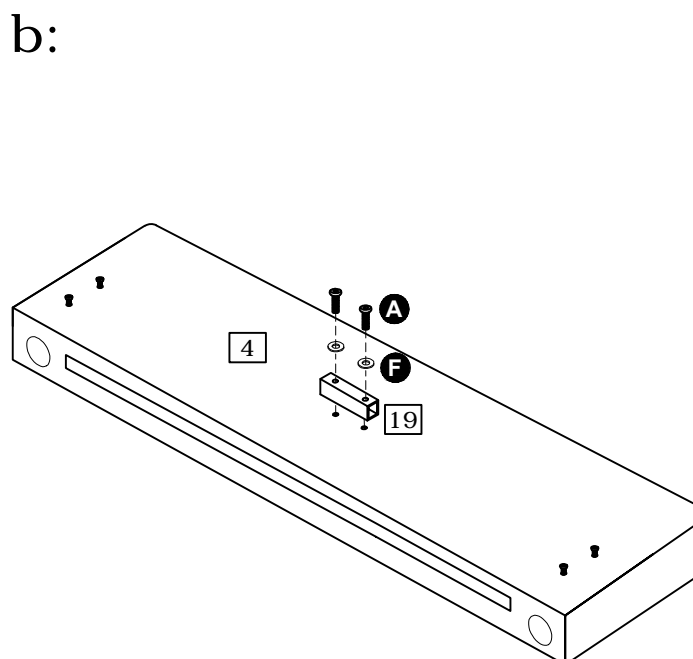
a: With help, carefully place headboard **3** and footboard **4** flat onto the floor with the fixing holes facing up as shown.

Note: Ensure the floor is suitably clean to protect the headboard and footboard from damage.

Loosely insert bolts **C** and fixings **G** and **F** into headboard **3** and footboard **4** as shown.



b: Attach ottoman frame support **19** to footboard **4** using fixings **A** and **F** as shown.



Assembly Instructions

Step 2

Attaching side rails

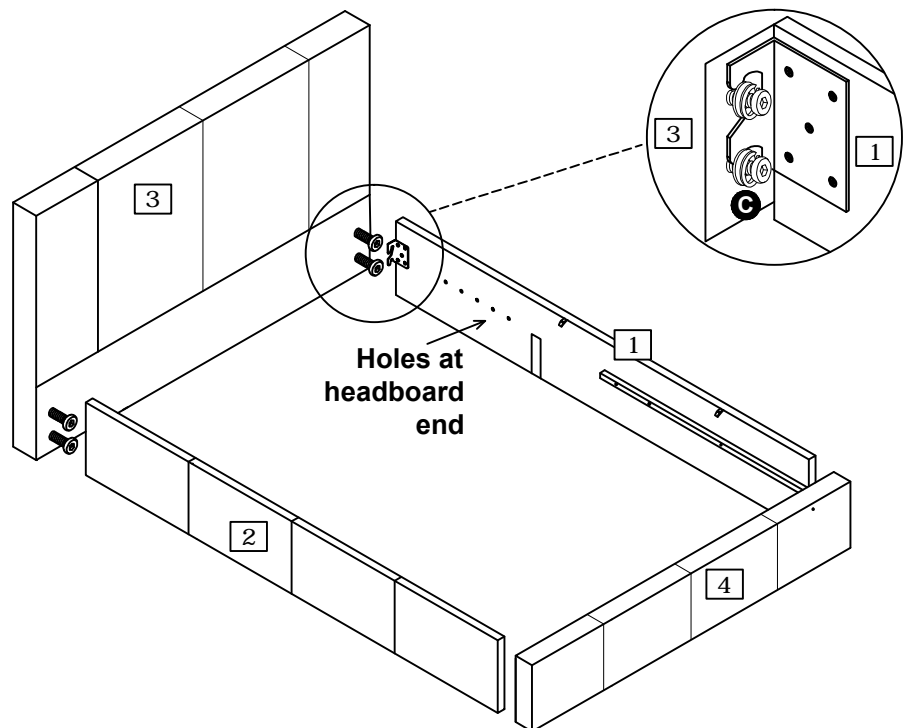
With help, raise headboard into the **3** standing position.

Hang the metal brackets on the end of the side rails **1** and **2**, over the bolts in the headboard **3**.

Note: Ensure the holes on the inside of each side rail are located at the headboard end as shown.

Note: Do not fully tighten bolts **C** at this stage.
Finger tighten only.

Repeat to assemble footboard **4**.



Step 3

Preparing base

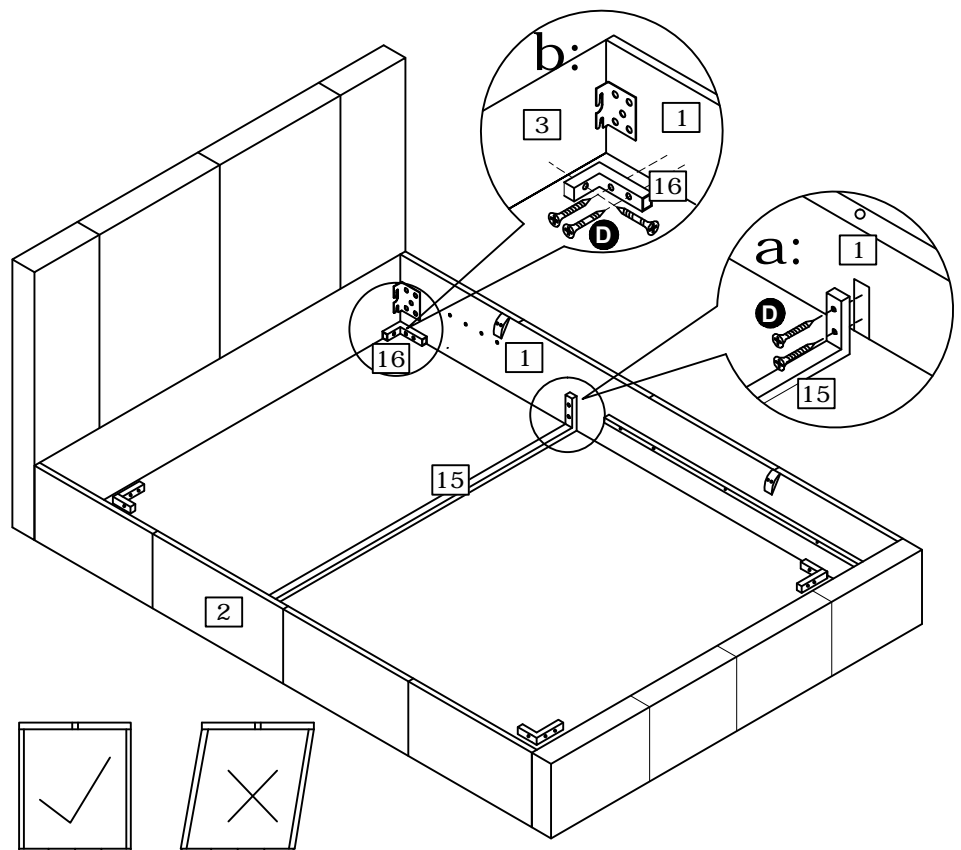
Ensure the frame is straight and square.

Fully tighten bolts **C** from Step 1.

a: Assemble stretcher **15** in between side rails **1** and **2** using screws **D**.

b: Assemble corner brackets **16** in each corner using screws **D**.

Note: The positions should be outlined.



Frame must be square

Assembly Instructions

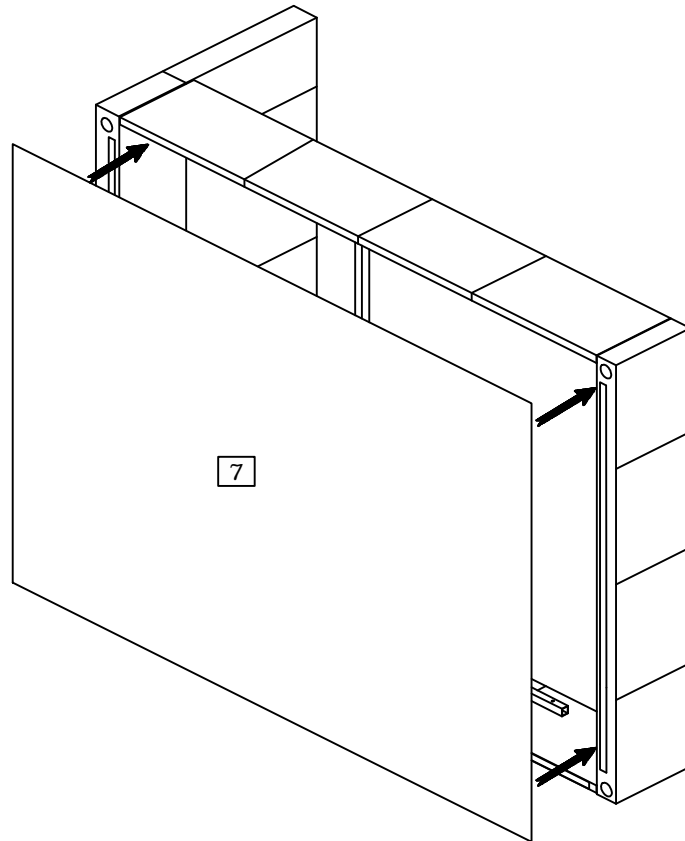
Step 4

Attaching cover

With help, carefully turn the frame onto its side.

⚠ Warning: The frame is heavy. Lift with care.

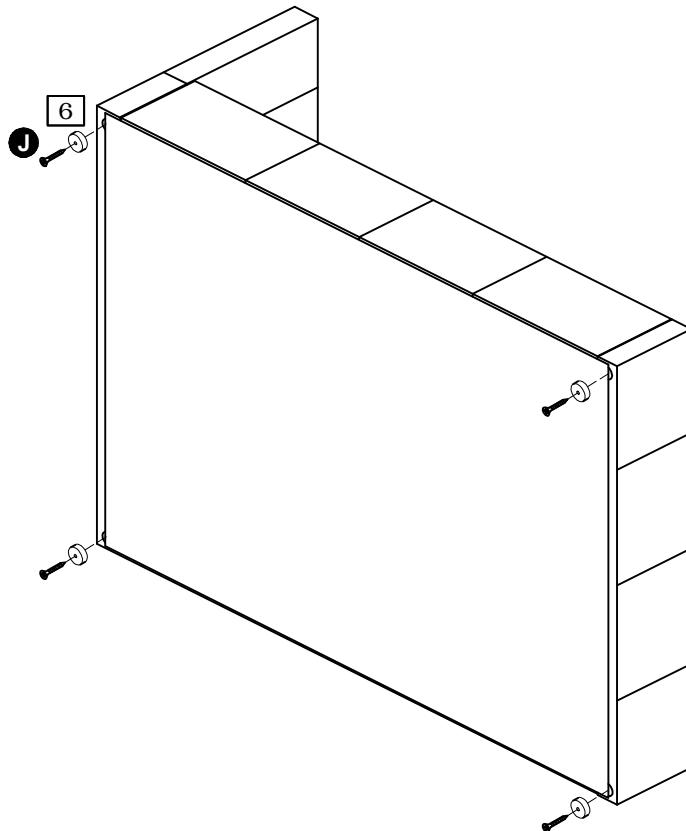
Attach fabric base **7** to the underside of the frame using the velcro strips on all 4 sides.



Step 5

Attaching feet

Assemble feet **6** to the underside of the headboard and footboard using screws **J**.



Assembly Instructions

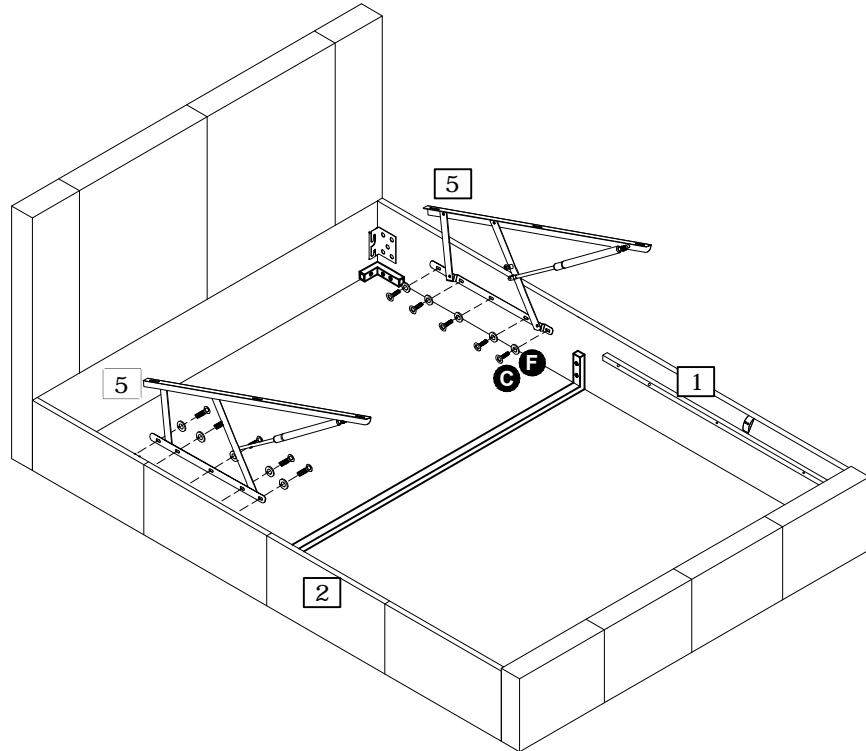
Step 6

Attaching folding hinges

With help, carefully return the frame to the standing position.

Secure hinges **5** to side rails **1** and **2** using fixings **C** and **F** as shown.

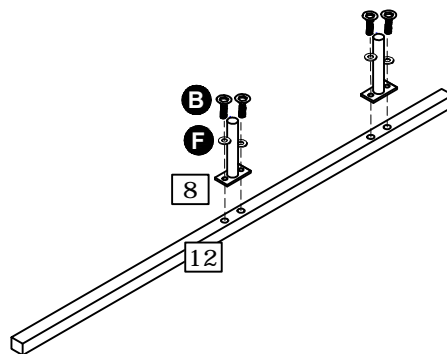
Note: Ensure the hinges are fitted the correct way around as shown.



Step 7

Preparing ottoman frame

Assemble support legs **8** to the underside of ottoman centre support **12** using fixings **B** and **F**.



Assembly Instructions

Step 8

Assembling ottoman frame

a: Loosely assemble ottoman frame components **9**, **10**, **11**, and **12** together as shown.

Note: The two support legs should be positioned closer to the headboard end **9** as shown.

Ottoman end frame **9** has extra holes as shown. This is the headboard end.

Note: Secure the assembly using fixings **B**, **G** and **F** as shown.

Important

Do not fully tighten screws **B** at this stage.

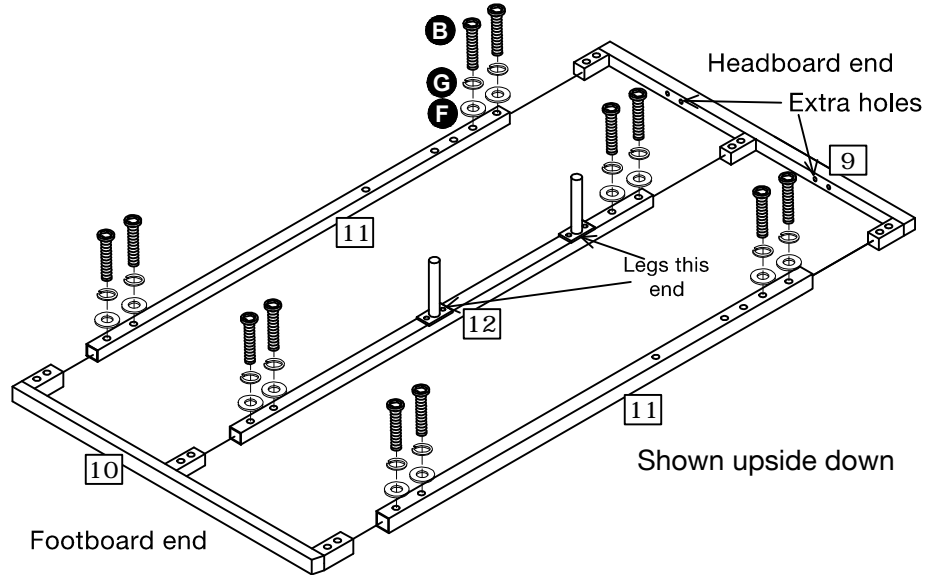
Finger tighten only.

b: With help, carefully turn the frame over.

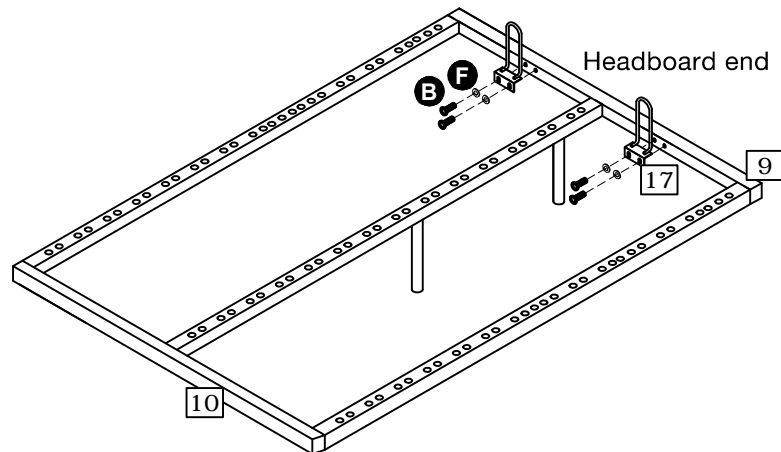
Note: The frame is heavy. Lift with care.

Assemble mattress support brackets **17** to end frame **9** (headboard end) using screws **B** and **F**.

a:



b:



Assembly Instructions

Step 9

Aligning ottoman frame

Ensure hinges **5** are folded flat as shown.

⚠ Warning: Keep hands clear of the folding areas at all times.

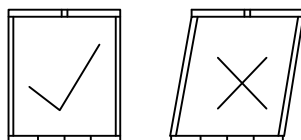
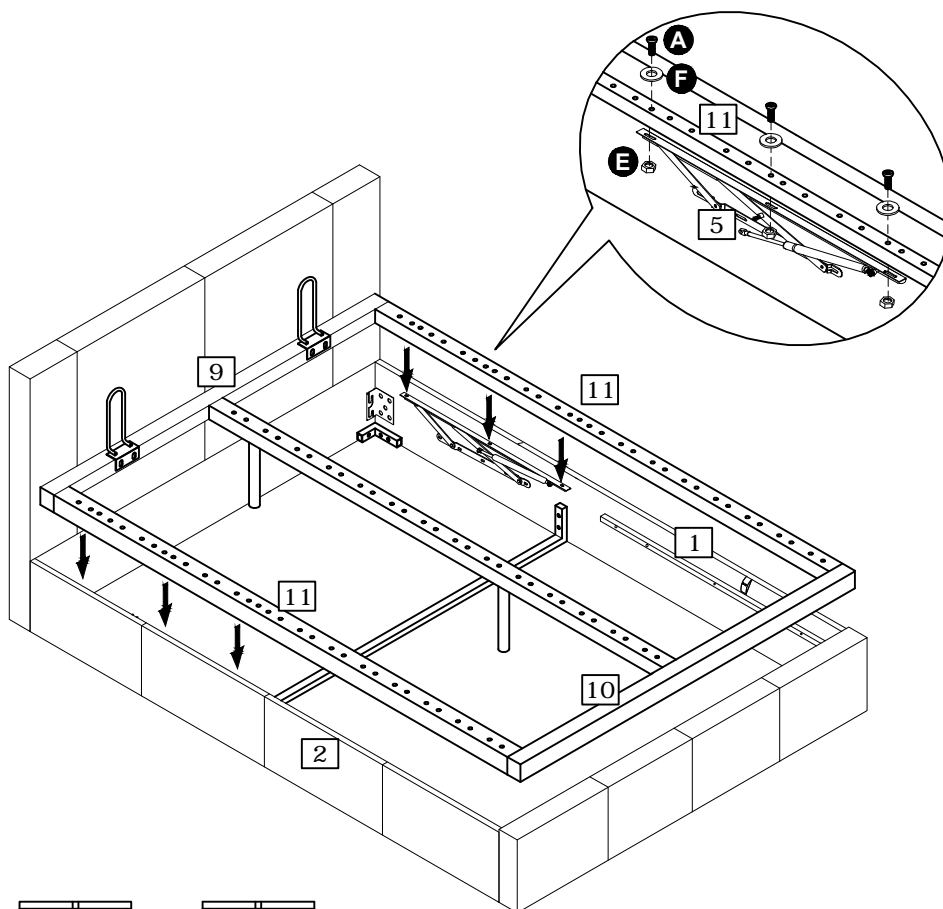
With help, lift the assembled ottoman frame into position, ensuring the mattress support brackets are correctly located at the headboard end.

Ensure the ottoman frame is aligned centrally with the bed frame, with even gaps on all 4 sides.

Once aligned, secure the ottoman frame to hinges **5** using fixings **A**, **E** and **F**.

Ensure the ottoman frame is straight and square.

Fully tighten all fixings on the ottoman frame.



Frame must be square

Assembly Instructions

Step 10

Connecting pistons

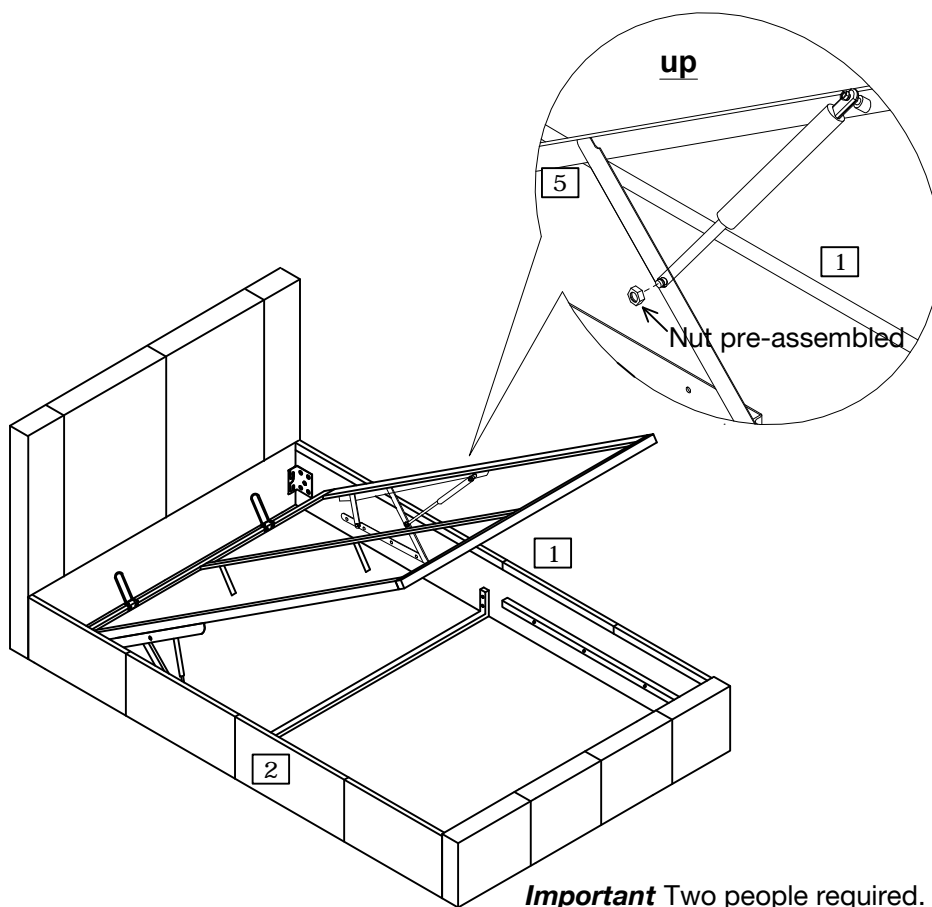
⚠ Warning: Two people will be required!

With the ottoman frame fully supported in the raised position, connect the loose end of the pistons to hinges **5**, using the nuts that are pre-assembled onto the hinges.

Repeat on both sides.

⚠ Warning: It is important the ottoman frame is supported whilst the pistons are connected.

Keep hands clear of the folding areas at all times.



Important Two people required.
Frame to be fully supported at all times!

Assembly Instructions

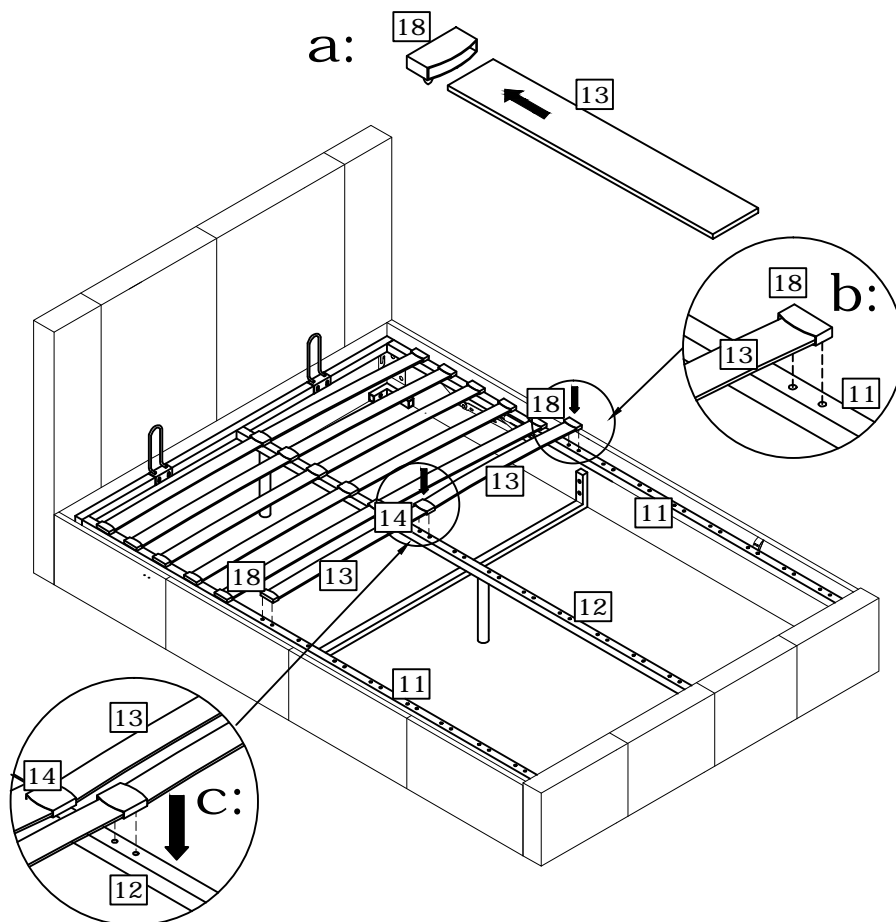
Step 11

Attaching slats

a: Assemble single slat caps **18** onto one end of bentwood slats **13**.

b: Fit bentwood slats **13** into the ottoman frame (sides) **11**, by locating single slat caps **18** into the holes.

c: Fit bentwood slats **13** into both sides of double slat caps **14**, before pushing caps **14** into the holes in central support **12**.



Assembly is complete

If you need help or have damaged or missing parts, call the **Customer Helpline: 0345 6400 800**
Home Retail Group, 489-499 Avebury Boulevard, Saxon Gate West, Central Milton Keynes, MK9 2NW