

# cookworks

## Can Opener

Model No. C02068A-GS



## Care & Instruction Manual

For household and indoor use only

Please read these instructions before use and retain for future reference



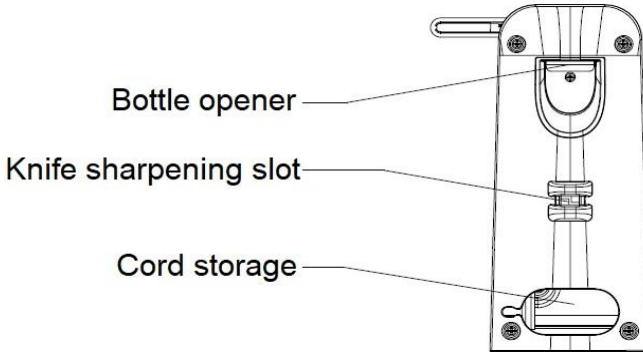
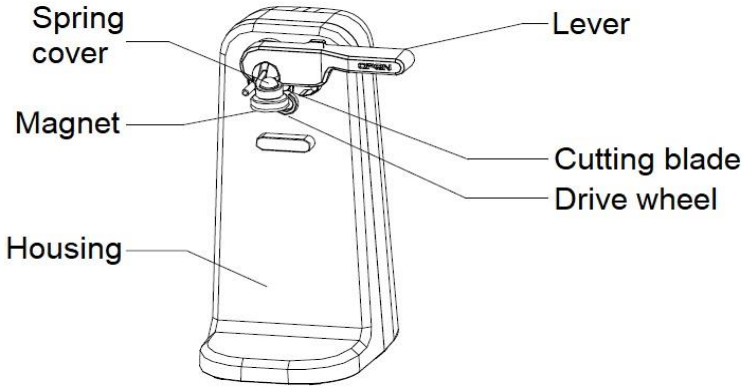
## ELECTRICAL SAFETY

- You should only plug the appliance into a 220V–240V AC, 50–60Hz supply. Connecting it to other power sources may damage the appliance and will invalidate the guarantee.
- Switch off and unplug when not in use and before assembling, cleaning or dismantling the appliance.
- This appliance shall not be used by children. Keep the appliance and its cord out of reach of children.
- This appliance can be used by persons with reduced physical, sensory or mental capabilities or lack of experience and knowledge if they have been given supervision or instruction concerning use of the appliance in a safe way and understand the hazards involved.
- Children shall not play with the appliance.
- Keep motor housing, cable and plug and appliance dry and away from areas where it is likely to get splashed. Never immerse in water.
- Do not pull on the cable to disconnect from mains supply.
- Do not operate the appliance if damaged or after it malfunctions. In the event the supply cord is damaged, in order to avoid a hazard, it must only be replaced by a qualified service engineer, with a suitably approved part.
- This appliance must be positioned so that the plug is accessible and the plug socket is within easy reach of the power cord.

## WARNING!

- This appliance is intended exclusively for use in domestic households. It is not suitable for commercial use.
- Do not leave unattended during use.
- The cutting blade is sharp, take care when handling or removing from the opener for cleaning.
- Cut edges of the can and lid will be sharp. Take care when handling.
- Never try to open cans that are under pressure (e.g. aerosol cans) with this opener.
- This appliance can cause personal injury if misused.

# PARTS



## TO USE – OPENING CANS

1. Fit the lever onto the body of the can opener (Fig.1)
2. Place the can opener on a stable, flat surface and clean thoroughly before use. Plug in and switch the power on at the mains.
3. Lift the lever (Fig.2) and position the can so that the lower edge of the can lip rests on top of the drive wheel and the cutting blade is on the inside of the can lip as shown in Fig.3.

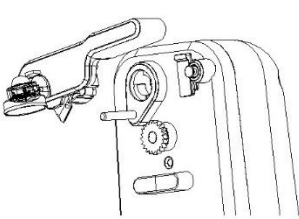


Fig.1

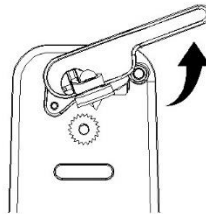


Fig.2

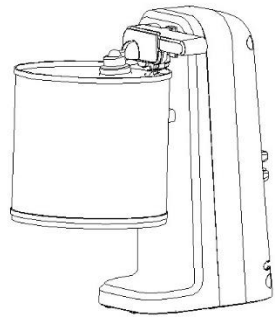


Fig.3

4. Lower the lever firmly so that the cutting blade pierces the lid this will start the can opener working automatically and the can will rotate. It is not necessary to hold the lever or the can during operation.
5. When the can is fully open the can opener will stop.
6. Open cans for a maximum of 1 minute of continuous use.
7. The cut edge of the can and the lid will be sharp. Take care not to touch either when removing the can and the lid from the opener. Hold the can, lift the lever and remove the can from the opener. The lid of the can will be retained by the magnet.
8. The can opener can be stopped at any time by lifting the lever, removing the plug or switching off at the mains.

## TO USE – OPENING CANS (CONTIUED)

### Notes:

- This can opener is suitable for opening round rimmed cans with maximum dimensions – height 175mm, diameter 50 – 100mm, weight 0.6kg. For cans above 0.5kg, the top of the opener will need to be stabilized with one hand.
- The can opener is not suitable for opening rimless, aluminum, pressurized cans, cans with angled corners, or cans that are designed to be opened by another method (e.g. pull tab, peel off, rolling key etc.).
- Badly dented cans may cause the opener to stall. If this happens grasp the can and manually guide it through the cutter until the damaged area has been passed.
- To open a can that has become jammed, hold the can, lift the lever and release the can. Restart the cutting procedure again on a new place on the can.

## TO USE – OPENING BOTTLES

1. Unplug the power and place the can opener on a stable, flat surface near to the edge of a work surface.
2. Hold the body of the bottle and position with the cap underneath the top edge of the bottle opener (Fig.4). With your spare hand steady the top of the can opener.
3. Push the lower part of the bottle in a downwards direction to lever the metal cap off the bottle.

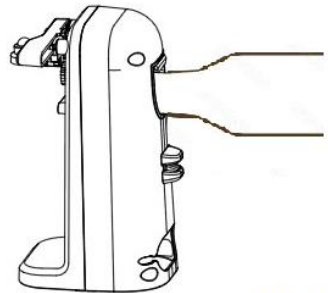
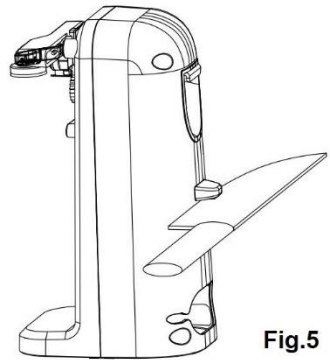


Fig.4

Notes: Not suitable for removing screw caps.

## TO USE – KNIFE SHARPENER

1. Unplug the power and place the can opener on a stable, flat surface with the can opener sideways to your body.
2. Hold the top of the can opener with one hand.
3. Insert the heel of the clean knife to be sharpened into the groove (Fig. 5) at the rear of the opener and with a light pressure, pull the handle of the knife so that the length of the blade passes through the sharpener. Repeat a further four to five times on each side of the knife.



**Fig.5**

### Notes:

- Always keep hands away from the sharp edge of knife.
- Not suitable for sharpening serrated, hollow ground or ceramic knives or scissors.

## CLEANING

Clean the blade assembly after each use.

1. Switch off and unplug the can opener from the mains.
2. Lift the lever and gently pull the assembly away from the opener.
3. The blade assembly can be washed in hot water with a little washing up liquid. NOT SUITABLE FOR DISHWASHERS. Dry immediately to prevent rusting.
4. Wipe the drive wheel and the outside of the can opener body with a damp (not wet) dishcloth soaked in washing up water. Do not use detergents or abrasives as these may scratch the surface and **never immerse in water**.
5. Allow all surfaces to fully dry before using the can opener again.
6. To refit the blade assembly, reverse the above procedure.

# TECHNICAL SPECIFICATION


Cookworks Can Opener	
Model	C02068A-GS
SKU No.	144248056
Rated Voltage & Frequency	220 – 240V AC, 50 – 60Hz
Rated Power Input	50W
Class rating	II (double insulated)
BS 1362 fuse	3A
Product dimensions (external)	120 x 115 x 200 mm
Product weight (net)	0.82 kg approx.



## RECYCLING ELECTRICAL PRODUCTS



You should now recycle your waste electrical goods and in doing so help the environment.

 This symbol means an electrical product should not be disposed of with normal household waste. Please ensure it is taken to a suitable facility for disposal when finished with. Visit [www.recycle-more.co.uk](http://www.recycle-more.co.uk), click on “bank locator” and enter your postcode to find your nearest recycling site.

## PLUG / WIRING ADVICE

The wires in this mains lead are coloured in accordance with the following UK electrical code:

BLUE = NEUTRAL

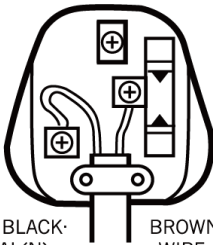
BROWN = LIVE

### Non-rewireable plug

This appliance may be fitted with a “non-rewireable” plug. If you need to change the fuse in a “non-rewireable” plug, the fuse cover must be refitted. If the fuse cover is lost or damaged, the appliance must not be used.

### Rewireable plug

The colours of the wires in the mains lead of this appliance may not correspond with the coloured markings identifying the terminals in a rewireable plug. **Rewireable plugs should only be replaced by a suitably competent person. If in doubt, consult a qualified electrician.**



BLUE OR BLACK  
NEUTRAL(N)

BROWN OR RED  
WIRE - LIVE(L)

The BLUE wire must be connected to the terminal marked with the letter N

The BROWN wire must be connected to the terminal marked with the letter L

We care about our quality and what you think, If you have any comments, good and bad, Please call our Careline **0800 636 262**, or visit **[www.sainsburys.co.uk](http://www.sainsburys.co.uk)**. Your statutory rights are not affected.

Produced in China for Argos Limited and Sainsbury's Supermarkets Ltd, London EC1N 2HT, UK.

Argos (N.I.) Ltd and Sainsbury's (NI) Ltd, Forestside Shopping Centre, Upper Galwally, Belfast, BT8 6FX, UK.