

cookworks

Personal Blender

Model No. UM1050S2N1-X



Care & Instruction Manual

For household and indoor use only

Please read these instructions before use and retain for future reference



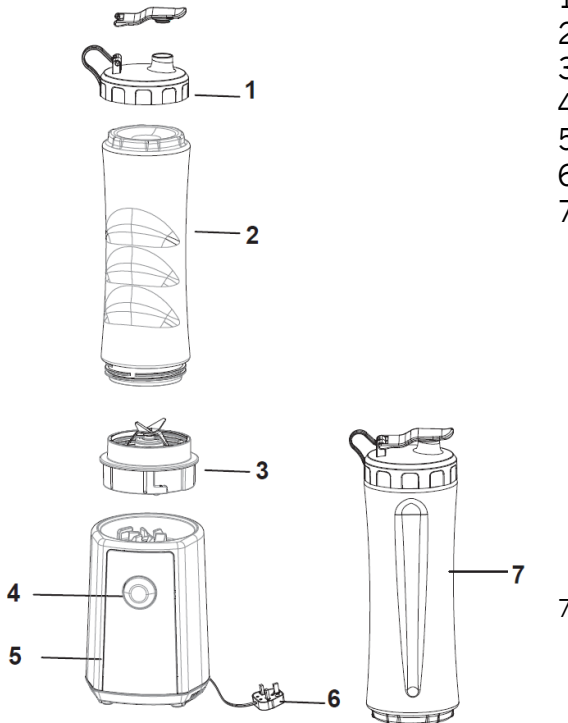
ELECTRICAL SAFETY

- You should only plug the appliance into a 220V-240V AC, 50Hz supply. Connecting it to other power sources may damage the appliance and will invalidate the guarantee.
- Switch off and unplug when not in use and before assembling, disassembling, changing accessories or cleaning the appliance.
- This appliance shall not be used by children. Keep the appliance and its cord out of reach of children.
- This appliance can be used by persons with reduced physical, sensory or mental capabilities or lack of experience and knowledge if they have been given supervision or instruction concerning use of the appliance in a safe way and understand the hazards involved.
- Children shall not play with the appliance.
- Keep motor housing, cable, and plug dry and away from areas where it is likely to get splashed. Never immerse in water.
- Do not cover or block the ventilation holes.
- Do not pull on the cable to disconnect from the mains supply.
- Do not operate the appliance if damaged or after it malfunctions. In the event the supply cord is damaged, in order to avoid a hazard it must only be replaced by a qualified service engineer, with a suitably approved part.
- This appliance must be positioned so that the plug is accessible and the plug socket is within easy reach of the power cord.

WARNING!

- This appliance is intended exclusively for use in domestic households. It is not suitable for commercial use.
- Only use with the parts supplied and fully assembled.
- Do not cover the personal blender and allow the motor housing it to cool fully before storing.
- All ingredients must be below 40°C when added to the blending jar.
- Never use hot liquids in the personal blender, always allow liquids to cool to room temperature before blending.
- Do not fill above maximum level marked (500ml).
- The blades are sharp; take care when removing from the blending jar and cleaning.
- This appliance can cause personal injury if misused.

PARTS

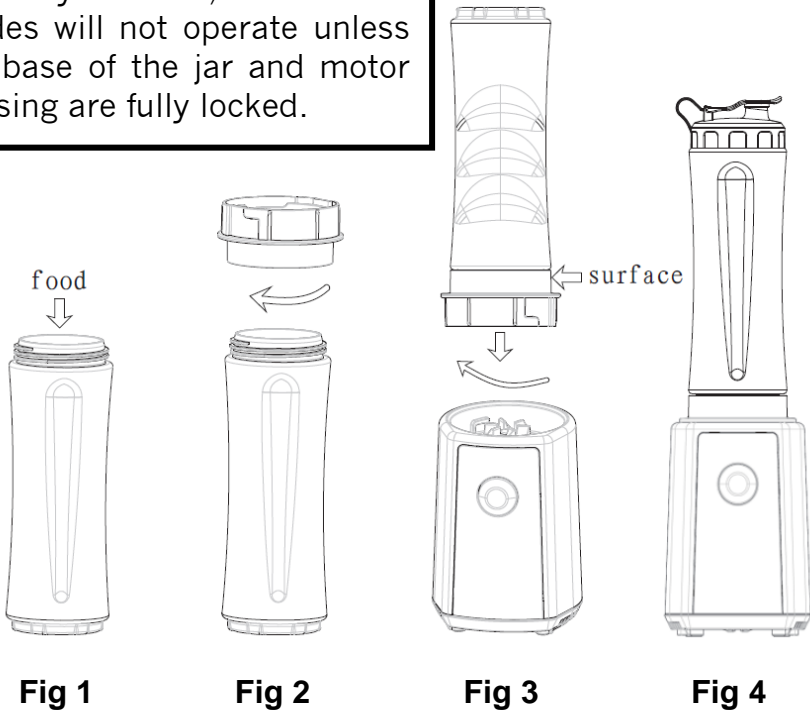


1. Lid with spout
2. Blending jar
3. Blade assembly
4. On/Off button
5. Motor housing
6. Power cord
7. Spare blending jar and lid

ASSEMBLY & USE

IMPORTANT:

Your blender is equipped with a safety feature, where the blades will not operate unless the base of the jar and motor housing are fully locked.



1. Remove the lid from the storage position at the end of the blending jar.
2. Clean all parts of the personal blender thoroughly before use.
3. Place the motor housing on a stable surface, fully unwind the cable and plug in.
4. Ensure all ingredients are at or below room temperature.
Never use hot ingredients.

ASSEMBLY & USE (CONTINUED)

5. Prepare the food (e.g. remove the peel, pips and stones from fruit, cores from pineapple etc.) and cut the fruit into 1-2cm pieces.
6. Place prepared fruit and/or vegetables into the blending jar (fig. 1).
7. Fit the blade assembly onto the jar and turn clockwise to secure (fig. 2). When fitting, grasp around the **side only** (fig. 5) – do not touch the blade or any part of the inner mechanism. Ensure the assembly is screwed on firmly; otherwise leakage or non-function may result.



Fig. 5

8. Invert the blending jar, align the black alignment mark (triangle symbol) on the blade assembly with the 'unlocked' padlock symbol and fit onto the motor housing. Turn clockwise firmly (fig. 3) until the alignment mark (triangle symbol) is **fully** aligned with the 'locked' padlock symbol. The blender is then ready to use (fig. 4).
9. Press and hold the ON / OFF button to start the blender working. Mix for a **maximum** of 1 minute.
10. Release the button to switch off; allow the blade to stop spinning before checking the consistency of the mix.

ASSEMBLY & USE (CONTINUED)

11. If the mix is not consistent, remove the blending jar from the motor housing and invert a few times before refitting and starting the blender operating again.
12. If satisfactory, remove the blending jar from the motor housing, invert the jar and twist the blade assembly anticlockwise and remove.
13. Screw the lid onto the blending jar for storage and transportation.
14. To stop or interrupt the blending process release the ON/OFF button or by turning off at the mains.

Notes:

- The motor housing is fitted with an interlock mechanism to prevent operation without the jar in place. **In the event the motor does not operate**, re-check steps 7 and 8 above have been followed correctly.
- For the best taste and nutritional value use fresh fruit and drink the juice soon after preparing.
- Peel foods with thick and bitter skins (e.g. citrus fruit, banana), remove seeds, pips and stones (e.g. melons, plums etc.) and hard cores (e.g. pineapple) to prevent damage to the blades and for smooth drinks.
- If using fruits with high starch or fibre content (e.g. bananas, mangos etc.) ensure a liquid (e.g. proprietary fruit juice) is added to aid blending.
- A few small ice cubes or frozen summer fruits may be added to the blending container for incorporation into the drink.
- This personal blender can also be used to make milkshakes, cocktails, batters etc.

CLEANING

Clean the personal blender after each use.

1. Switch off and unplug.
2. The inside of the personal blender can be rinsed between fruits or partially cleaned before carrying out a full clean. To rinse, fill the blending jar with a small quantity of water and operate the personal blender as normal. Discard the liquid.
3. The blades are sharp, take care when removing from the blending jar and cleaning. Rinse the blades (not the underside of the assembly) with hot water with a little washing up liquid. Rinse and wipe dry.
4. The blending jar and lid and stopper may be washed in hot water with a little washing up liquid. Rinse and wipe dry. The blending jar and lid are suitable for use in dishwashers, but the blade assembly is not.
5. Wipe the outside of the motor housing with a damp cloth; do not use detergent or abrasives as these may scratch the surface. Never immerse the motor housing, cable or plug in water.

TECHNICAL SPECIFICATION

Cookworks Personal Blender	
Model no	UM1050S2N1-X
SKU no	135891306
Rated Voltage & Frequency	220 – 240V AC 50/60Hz
Rated Power Input	300W
Capacity	500ml
Maximum work time	1 minute
Class rating	2 (Double insulated)
BS 1362 fuse	3A
Product dimensions (external)	114 x 112 x 347 mm
Product weight (net)	1.27 kg approx.



RECYCLING ELECTRICAL PRODUCTS

You should now recycle your waste electrical goods and in doing so help the environment.

This symbol means an electrical product should not be disposed of with normal household waste. Please ensure it is taken to a suitable facility for disposal when finished with.

Visit www.recycle-more.co.uk, click on “bank locator” and enter your postcode to find your nearest recycling site.



