

DAB/FM Stereo Radio

Set up & Operating Instructions - Please keep for future reference

BUSH
Real Life Technology

266/3342
346/4344



Important - Please read these instructions fully before using your product

These instructions contain important information which will help you get the very best from your Radio and ensure safe and correct set up and operation.

DAB/FM Stereo Radio

Contents

Important safety information... 3	Set the time and date 16
Instructions for use..... 5	Setting the alarm 16
Check the package contents . 5	Stop the alarm..... 18
Where to put your Radio 5	Snooze 18
Setting up..... 5	Turn off the alarm..... 18
Your DAB/FM Radio 7	Sleep timer 18
Using your Radio..... 8	Technical information 19
Switch on 8	Specification 19
Switch off 8	Frequency range 19
Adjusting the volume 8	Factory reset 19
Using headphones 8	Software version 19
Changing DAB stations 8	Troubleshooting 20
Scanning for DAB stations... 9	General information 22
Prune DAB stations 9	Guarantee 23
Storing a DAB station preset 10	
Tune to a DAB station preset 10	
DAB display information 10	
Dynamic range control 12	
Using the FM radio 13	
Telescopic aerial 13	
FM radio mode 13	
Tuning to an FM station 13	
Changing the Scan setting .. 13	
Storing an FM station preset 14	
Tune to an FM preset station 14	
FM display information 15	

Important safety information

Your Radio should be treated with care. The information below has been provided in the interest of safety and will help you to enjoy this product and the benefits it brings for many years.

- Keep the product and all its parts out of reach of small children.
- This product is not intended for use by persons (including children) with reduced physical, sensory or mental capabilities, or lack of experience and knowledge, unless they have been given supervision or instruction concerning the use of the appliance by a person responsible for their safety.
- Keep it dry. Avoid exposure to precipitation, humidity and liquids which could all affect the product circuitry.
- **Do NOT** leave it in high temperatures as electronic devices and plastic parts may warp in heat.
- **Do NOT** leave it in low temperatures as moisture can form inside the product, which may damage the circuit board.
- **Do NOT** block or cover slots, holes or openings on the product by placing on soft furnishings such as carpets, rugs or beds as these are provided for functionality and/or ventilation to ensure safe operation of the product
- **Do NOT** store in dusty or dirty areas.
- Disconnect your Radio from the mains power supply during thunderstorms.
- Always check that you have completely switched off your Radio, before you change or disconnect the power supply.
- Only use the power supply that came with the product. Using an unauthorised power supply will invalidate your guarantee and may irrecoverably damage the product.
- Where the mains power plug or an appliance coupler is used as the disconnect device, the disconnect device shall remain readily operable.

- **Do NOT** attempt to open the product. This product does not contain any user serviceable parts. Unauthorised handling of the device may damage it and will void your warranty.
- **Do NOT** use your Radio near emergency/intensive care medical equipment; if you have a pacemaker fitted or during an electrical storm.
- If the Radio will not be used for a long period of time, make sure that all of the batteries are removed from the battery compartment and the mains power is unplugged.
- **Do NOT** use harsh chemicals, cleaning solvents or detergents to clean the product. Wipe with a damp (not wet) soft cloth to clean.

Warning:



To prevent possible hearing damage, do not listen to this radio at high volume levels for long periods of time.

Instructions for use

Check the package contents

The package contains:

- 1 x DAB/FM Radio
- 1 x mains adaptor
- 1 x instruction manual

Where to put your Radio

It is important that you consider carefully in advance where your Radio will be situated and make sure that it is:

- * on a flat and stable surface

Note: Never place your Radio on antique or polished surfaces.

- * within 1.4 metres of a power socket (if using mains power). Please ensure that the mains power lead is not a trip hazard.
- * at least 1 metre away from other electrical appliances to avoid interference
- * where you can fully extend the telescopic aerial
- * away from bright sunlight or heat sources, such as a radiator
- * not in a humid or very damp place such as a bathroom

Setting up

1. Connect the mains power lead into the socket on the back of the Radio and fully extend the telescopic aerial in a vertical position to obtain the maximum signal strength.
2. Plug the power adaptor into the mains power wall socket and switch on.
3. Slide the switch on the back of the radio to 'On'. The Radio and display will fully switch on and 'Welcome to Digital Radio' will be displayed.
4. Press and hold the 'Power/ Mode' button on the top of the Radio. Your radio will automatically begin to scan for DAB radio stations, a progress bar will show the progress of the scan and the number of stations found during the scan will also be displayed.

When the scan is complete your radio will select the first available station and begin to play. Stations are listed in numerical and then alphabetical order by default.

Note: The DAB radio station list is stored in the memory and so the next time you switch your radio on, the station search does not take place. It is possible to scan manually for stations. Please see page 8.

5. Inserting the batteries (optional). Before installing the batteries (not included) please ensure that the Radio is switched off (press and hold the 'Power/ Mode' button) and is unplugged from the mains power supply.

On the back of the Radio, push down the two tabs to release and remove the battery compartment cover.

Insert 4 x 1.5V C-size (also known as LR-14) batteries, making sure to note the '+' and '-' markings and position the batteries the correct way around.

Replace the battery cover, making sure it 'clicks' shut.

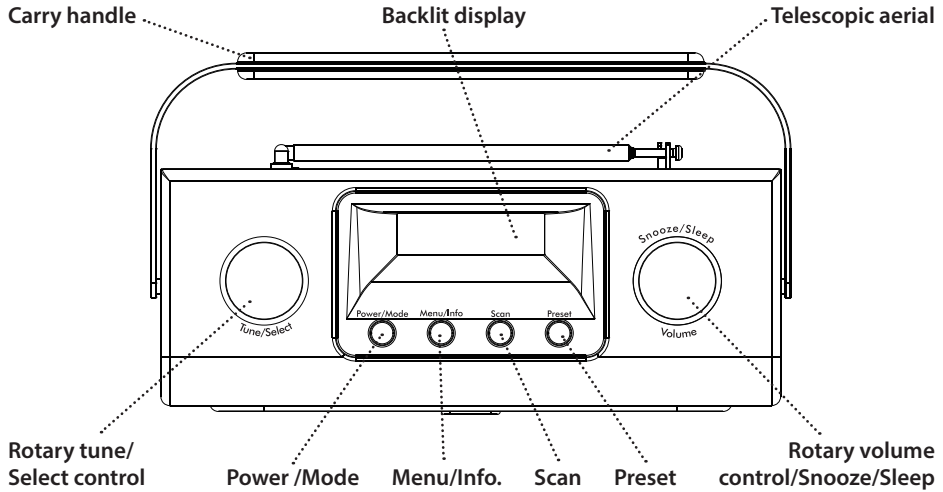
If used continuously on battery power, your Radio has an approximate battery life of 5 hours when using good quality alkaline batteries. When the battery power is low, please switch off the Radio and replace the batteries.

For battery operation, please switch off the mains adaptor and remove the mains power plug from the back of the Radio.

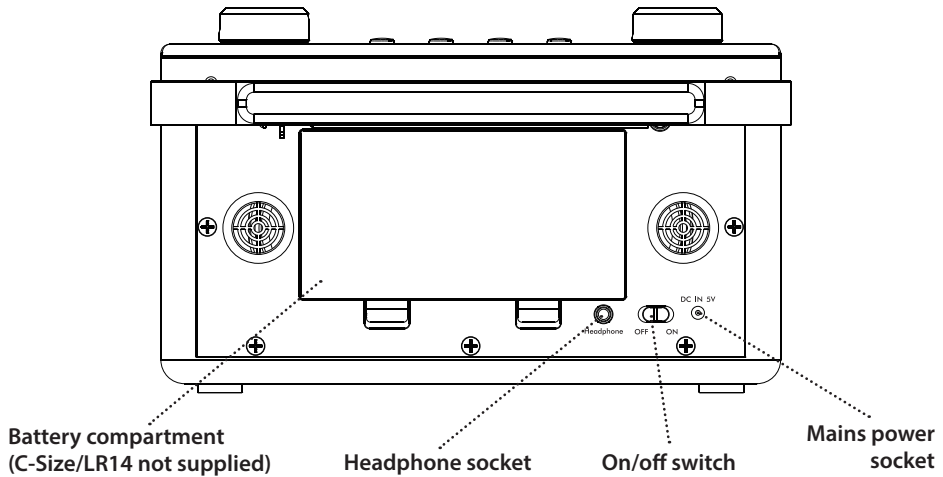
- Only use recommended batteries or those of the same equivalent type.
- Do not mix old and new batteries or batteries of different types.
- Batteries are to be inserted with the correct polarity.
- The supply terminals are not to be short-circuited.
- Remove the batteries from the Radio if they will not be used for an extended period of time.
- Do not attempt to recharge non-rechargeable batteries.
- Dispose of old batteries carefully.
- Never throw batteries in a fire or attempt to open the outer casing.
- Batteries are harmful if swallowed, so keep away from young children.
- CAUTION: Danger of explosion if batteries are incorrectly replaced. Replace only with the same or equivalent type.

Your DAB/FM Radio

Top view:



Back view:



Using your DAB/FM Radio

Switch on

Press and hold the 'Power/Mode' button. The display will fully switch on and your Radio will return to the mode that it was last used in (DAB/FM). If you were listening to a radio station before then this station will be automatically selected.

Note: Always make sure that the aerial is fully extended, to ensure the maximum signal strength and the best possible sound quality.

Switch off

Press and hold the 'Power/Mode' button. The Radio will go into Standby mode.

To completely switch off the Radio and the display, slide the switch on the back of the radio to 'Off'. Switch off the mains power at the wall socket, remove the power plug from the back of the radio. Remove the batteries, if fitted.

Change the mode

Briefly press the 'Power/Mode' button to change between DAB and FM modes. Please check the display.

Adjusting the volume

Turn the Volume rotary control anti-clockwise to decrease the volume and clockwise to increase the volume. When you adjust the volume, please check the display which will confirm the volume level.

Using headphones

You can connect headphones (not included) to your radio. The headphone socket can be found on the back of your radio and when you have headphones connected the radio speakers are switched off and all sound is via the headphones.

Note: Headphones will need a 3.5mm stereo plug.

Changing DAB stations

1. If you are not already in DAB mode, briefly press the 'Power/Mode' button to go to DAB mode.
2. Turn the left hand 'Tune/Select' rotary control to scroll through the available stations in the station list. When the station that you would like to listen to is displayed press the left hand rotary control to 'Select'. There will be a short delay whilst your DAB radio tunes to your selected station.

Scanning for DAB stations

With DAB radio, additional stations and services regularly become available so it's a good idea to carry out a manual scan every now and then to make sure that you have the most up to date station listing stored within the memory of your radio. If you have moved your radio to another location e.g.: if you go on holiday, then it's also a good idea to carry out a manual scan.

1. If you are not already in DAB mode, briefly press the 'Power/Mode' button to go to DAB mode.
2. Press the 'Scan' button to begin a local search for stations. The display will change to 'Scanning...'. A progress bar will show the progress of the scan and the number of stations found during the scan will also be displayed. A local scan takes approximately 10 seconds.

3. If you are using your DAB radio outside of the UK, then press the 'Menu/Info' button and then press the left hand rotary control to 'Select' a full scan. Your radio will begin a wider, national and local scan. The display will change to 'Scanning...'. A progress bar will show the progress of the scan and the number of stations found during the scan will also be displayed. A national and local scan takes approximately 1 minute but can take up to 3 minutes.

Prune DAB stations

You can remove the DAB stations in the station list that cannot be received in your area. These are listed with a '?' prefix.

1. Press the 'Menu/Info' button and use the left hand rotary control to scroll to 'Prune'. Press the left hand rotary control to 'Select'.
2. 'Prune ? <No> Yes' is displayed. Use the left hand rotary control to scroll to 'Yes'. Press the rotary control to 'Select' and prune the station list. Stations with a '?' prefix will now no longer be displayed. Press the 'Menu/Info' button to return to the station display.

Storing a DAB station preset

Your radio can store up to 10 DAB stations in its preset memories for instant access to your favourite stations.

Note: When you store DAB radio station presets, these do not overwrite your FM station presets.

1. Tune your radio to the station that you wish to preset (see changing DAB stations on page 8).
2. Press and hold the 'Preset' button on the top of your radio. 'Preset Store <1: (Empty) >' is displayed if no previous station has been stored.
3. Use the left hand rotary control to scroll to the Preset location that you would like to store the radio station to (1 - 10).
4. Press the rotary control to 'Select', the display will confirm 'Preset X stored', where 'X' is the number of the preset (1-10).

Note: If there is already an existing DAB station stored under a preset, it will be over written when you store the new station.

Tune to a DAB preset station

In DAB mode:

1. Press and release the 'Preset' button. 'Preset Recall <1: >' is displayed and the name or frequency of the station stored there, or '(Empty)' if no previous station has been stored.
2. Use the left hand rotary control to scroll to the Preset location and station that you would like to listen to (1 - 10). Press the rotary control to 'Select.' The radio will instantly tune to that station and begin to play.

Note: If no DAB station has been stored under the preset button, 'Preset Empty' will be displayed, then the radio will revert to the previously selected radio station.

DAB display information

When listening to a DAB station you can change the information that will appear on the second line of the display. There are several different types of information that are sent by the broadcaster.

Dynamic Label Segment (DLS) - this is scrolling text information supplied by the broadcaster. Information could be the name of an artist or music title, DJ's name, contact details for the radio station etc.

Signal Strength - An empty □ will appear on the second line of the display to indicate the minimum signal strength for acceptable listening. The row of solid rectangles indicate the actual signal strength that you are receiving. The stronger the signal, the further to the right the row of solid rectangles will be.

Program Type (PTY) - such as 'Rock', 'Pop', 'Talk' or 'News'

Multiplex Name - displays the broadcasting area and collection of radio stations on this frequency e.g.: BBC National DAB, Digital 1 Network.

Channel and Frequency - e.g.: 12B 225.648 MHz

Signal error - This is displayed as a number between 0-99. It would not be possible to satisfactorily listen to a radio station with a signal error rate of 30 or above. Try adjusting the aerial or relocating your radio to improve reception.

Signal information - The data rate at which the signal is being transmitted.

Time and date - supplied by the broadcaster.

1. Repeatedly press and release the 'Menu/Info' button on the top of the radio to cycle through the different information options.

Dynamic range control (DRC)

In DAB mode:

The dynamic range for each radio programme is set by the broadcaster for each radio station and may be different for the types of programme broadcast, such as pop or classical music or a chat show. The dynamic range control signal is transmitted in parallel with the audio signal for each programme and with your radio you can use this control signal to expand or compress the dynamic range (the difference between the loudest and quietest sounds) of the reproduced audio signal.

Changing the dynamic range can affect the 'loudness' and/or 'quality of sound' of the programme that you hear so that it will be more suited to your listening conditions and your own personal listening requirements. e.g. in a noisy environment, where quiet sounds might be swamped, setting the compression to maximum will 'boost' the quiet sounds, whilst keeping the loudest sounds at their original level.

There are 3 levels of compression:

DRC Off - no compression. This is the default setting.

DRC Low - medium compression.

DRC High - maximum compression.

1. Press and release the 'Menu/Info' button.
2. Use the left hand rotary control to scroll to 'DRC' and press to select. The current DRC setting will have an '*' in the top right of the display.
3. Use the left hand rotary control to scroll through the 3 compression level options available and press the rotary control to 'select'. Press the 'Menu/Info' button to return to the station display.

Using the FM radio

Telescopic aerial

Please make sure that the aerial is fully extended before you attempt to tune to an FM station. This will ensure that the maximum signal strength is available when the Radio begins to scan. Extending the aerial also ensures the best possible sound quality.

FM Radio mode

If you are not already in FM mode, briefly press and release the 'Power/Mode' button to go to FM mode (check the display).

If you were listening to an FM station when you switched the Radio off then this station will be automatically selected when you switch the Radio back on.

Tuning to an FM station

1. If you are not already in FM mode, briefly press the 'Power/Mode' button to go to FM mode.
2. Press and release the 'Scan' button on the top of your radio to scan up the frequency band. Press and hold 'Scan' to scan from the start of the frequency band and automatically store the stations found into Presets.

Note: You can overwrite the stored station presets, see page 14, Storing an FM station preset.

3. Use the left hand rotary control to fine tune each frequency in 0.05MHz steps.

Note: If reception is still poor adjust the position of the aerial or try moving the radio to another location.

Changing the Scan setting

In FM mode:

1. Press the 'Menu/Info' button. 'Scan setting' is displayed. Press the left hand rotary control to 'Select'. The current Scan setting will have an '*' in the top right of the display.

There are two different options to choose from:

Strong stations - the scan will only stop when a strong signal strength is received which should also result in a better audio quality. It is possible that the station you are scanning for may be missed using this option.

All stations - the scan will stop for every station it receives, even if the signal strength is poor.

2. Use the left hand rotary control to choose from the two options available and press to 'Select'. Press the 'Menu/Info' button to return to the station display.

Storing an FM station preset

Your radio can store up to 10 FM stations in its preset memories for instant access to your favourite stations.

Note: When you store FM radio station presets, these do not overwrite your DAB station presets.

1. Tune your radio to the station that you wish to preset (see tuning to an FM station on page 13).

2. Press and hold the 'Preset' button on the top of your radio. 'Preset Store <1: (Empty) >' is displayed if no previous station has been stored.

Note: If you press and held 'Scan' when tuning to an FM station, your radio will have automatically stored the stations found into Presets, you can overwrite these with your own choice of stations.

3. Use the left hand rotary control to scroll to the Preset location that you would like to store the radio station to (1 - 10).

4. Press the rotary control to 'Select', the display will confirm 'Preset X stored', where 'X' is the number of the preset (1 - 10).

Note: If there is already an existing FM station stored under a preset, it will be over written when you store the new station.

Tune to an FM preset station

In FM mode:

1. Press and release the 'Preset' button. 'Preset Recall <1: >' is displayed and the name or frequency of the station stored there, or 'Empty' if no previous station has been stored.

2. Use the left hand rotary control to scroll to the Preset location and station that you would like to listen to (1 - 10). Press the rotary control to 'Select'. The radio will instantly tune to that station and begin to play.

Note: If no FM station has been stored under the preset button, 'Preset Empty' will be displayed, then the radio will revert to the previously selected radio station.

FM display information

When listening to an FM station you can change the information that will appear on the second line of the display.

Signal information - Stereo or Forced Mono, depending on the quality of the signal being received. Press the left hand rotary control to switch between Forced Mono and Stereo allowed, if Stereo is available.

Time and date - supplied by the broadcaster.

1. Repeatedly press the 'Menu/Info' button on the top of the radio to cycle through the different information options.

Set the time and date

Setting the time and date

The first time you listen to DAB radio, the time and date of your product will be synchronised automatically to that broadcast by the DAB service in 24 hour mode; which is in line with daylight saving, but you can set the time and date manually.

1. Press the 'Menu/Info' button on the top of the radio.
2. Use the left hand rotary control to scroll to 'System'. Press the rotary control to 'Select'.
3. Use the left hand rotary control to scroll to 'Time'. Press the rotary control to 'Select'. 'Set Time/Date' is displayed. Press the rotary control to 'Select'.
4. 'Set time' is displayed and the hour digits will flash. Use the left hand rotary control to scroll to the correct hour. Press the rotary control to 'Select'.
5. The minutes will now flash. Use the left hand rotary control to scroll to the correct minutes. Press the rotary control to 'Select'.
6. 'Set date' is displayed and the day will flash. Use the left hand rotary control and press to 'Select' to set the day, month and year, using the same method as you did to set the time.

When you confirm the correct date, 'Time Saved' is displayed and the display returns to 'Set Time/Date'.

You can now use the left hand rotary to scroll and the same method as you did to set the time and date to change the settings for:

- 12/24 hour clock display
- the date format, DD-MM-YYYY or MM-DD-YYYY
- to auto update the time from the DAB signal, FM signal, DAB or FM signal or no update.

Setting the alarm

Note: Check that the radio has the correct time and date before you set an alarm.

In DAB or FM mode:

1. Press the 'Menu/Info' button on the top of the radio.
2. Use the left hand rotary control to scroll to 'System'. Press the rotary control to 'Select'.
3. 'Alarm' is displayed. Press the left hand rotary control to 'Select'.
4. 'Alarm 1 Setup' is displayed. Press the left hand rotary control to 'Select'.
5. 'Alarm 1 Wizard On time' is displayed and the hour digits for the alarm will flash.

6. Use the left hand rotary control to scroll to the hour for the alarm. Press the rotary control to 'Select'.

7. Use the left hand rotary control to scroll to the minutes for the alarm. Press the rotary control to 'Select'.

8. Use the left hand rotary control to scroll to the duration for the alarm. You can choose from 15, 30, 45, 60 and 90 minutes. Press the rotary control to 'Select'.

9. Use the left hand rotary control to scroll to the sound source for the alarm. You can choose from Buzzer, DAB or FM. Press the rotary control to 'Select'.

Note: If you select DAB or FM radio for the alarm source, 'Last listened' will flash in the display. Press the rotary control to 'Select' and the last listened to radio station in DAB or FM, as appropriate, will be used for your alarm.

10. Use the left hand rotary control to scroll to the frequency for the alarm. You can choose from Daily, Once, Weekends or Weekdays. Press the rotary control to 'Select'.

Note: If you select 'Once', you will then be prompted to set the date for your alarm.

11. Use the right hand rotary control to set the volume for your alarm. Press the left hand rotary control to 'Select'.

Note: The alarm volume will increase progressively until it reaches the alarm volume you have set.

12. 'Alarm 1 Wizard' is displayed again, together with 'Alarm Off (or On)'. Use the left hand rotary control to choose 'Alarm On' or 'Off' and press the rotary control to 'Select'. 'Alarm Saved' is displayed and a bell icon will appear in the top right of the radio display.

13. In Standby mode a bell symbol in the top right of the display will confirm when an alarm has been set.

Note: If the time is not set or has failed to update from the radio signal, 'Time is not set' will be displayed when you try to set the alarm. The radio will then prompt you to set the time. An alarm can only be set after the time has been set.

Stop the Alarm

When the alarm sounds you can press the left hand 'Tune/Select' or any of the four buttons: 'Power/Mode', 'Menu/Info', 'Scan' or 'Preset' to stop the Alarm. 'Alarm Off' will be displayed, followed by the time and date.

Snooze

When the alarm sounds you can press the right hand 'Snooze/Sleep' rotary control, it will display 'Snooze 5 minutes', then the snooze time will count down on the display until the alarm sounds again.

Turn off the Alarm

Follow the steps for 'Setting an Alarm' and select 'Off' in step 12.

Sleep timer

You can set your radio to turn off automatically using the sleep timer. You can choose from Off, 15, 30, 45, 60 and 90 minutes.

1. Press the right hand rotary control 'Set sleep time, Sleep off' is displayed.
2. Continuously press and release the right hand rotary control to cycle through the available options or press and hold the rotary control. Stop when the sleep time you would like is displayed.

Note: To cancel the sleep time, follow the steps to set the sleep time but stop when 'Sleep off' is displayed.

Technical information

Specification

Power adaptor:

Output DC 5V 1200mA.

Input AC 100-240V

Batteries:

4 x 1.5V C size (LR14)

(Optional, not supplied)

Output:

2 x 2W RMS

Frequency range

DAB:

Band III, 174 MHz to 240 MHz

FM:

87.5 MHz to 108 MHz

Factory reset

You can reset your radio and restore all of the original factory settings.

Note: If you reset your radio all of your DAB and FM station presets will be deleted.

1. Press the 'Menu/Info' button on the top of the radio. Use the left hand rotary control to scroll to 'System' and press the rotary control to 'Select'.

2. 'Alarm' is displayed. Use the left hand rotary control to scroll to 'Factory Reset' and press the rotary control to 'Select'.

3. 'Factory Reset? Yes No' will be displayed. Use the left hand rotary control to scroll to 'Yes' and press the rotary control to 'Select'.

4. 'Restarting...' is displayed. After a few seconds the display will change to 'Welcome to Digital Radio' and then 'Scanning...' whilst it scans for DAB stations. Please extend the telescopic aerial on the back of the radio.

Software version

1. Press the 'Menu/Info' button on the top of the radio. Use the left hand rotary control to scroll to 'System' and press the rotary control to 'Select'.

2. 'Alarm' is displayed. Use the left hand rotary control to scroll to 'SW version' and press the rotary control to 'Select'.

The software version will be displayed. You may wish to make a note of it here.

.....

3. Press and release the 'Menu/Info' button until you return to the radio display.


Troubleshooting

If you are experiencing problems with your Radio, there are some quick and easy checks that you can do, which may help to solve the problem.


Problem	Solution
No sound / power:	<ul style="list-style-type: none">- Increase the volume.- Check that the mains power cable is connected securely, is plugged in and the power switched on.- Low or no battery power. Batteries incorrectly inserted. Insert fresh batteries correctly.- Do you have headphones connected? Either unplug the headphones or use them to listen to your radio.
Radio reception is poor:	<ul style="list-style-type: none">- Fully extend the aerial to get the best reception and sound quality.- Retune for radio stations, see pages 8 & 13 respectively for DAB and FM.- Try moving your Radio to another location to see if reception improves.- Check that you do not have other electrical equipment too close to your Radio, causing interference.- Visit www.digitalradionow.com for information about DAB reception in your area.

Problem	Solution
The function buttons do not respond:	<ul style="list-style-type: none">- Check that the power lead is plugged into the back of the Radio and that the mains adaptor is plugged in and switched on.- Check that you are trying to use the function buttons for the mode that you are in.- Check that the Radio is not in Standby mode. Press and hold the 'Power/Mode' button to power on the Radio.- If you are using batteries, they may be exhausted and need to be replaced.- Unplug the mains power and remove the batteries. Leave the Radio for 3 minutes and then reconnect the power.- Try a reset to factory defaults, see page 19. <p>Note: If you reset your radio all of your DAB and FM station presets will be deleted.</p>

General information

This symbol  indicates that this product should not be treated as normal household waste and it should be recycled. Please take it to your nearest collection facility or for further details contact your local council or visit www.recycle-more.co.uk

Batteries contain substances that may be harmful to the environment and human health. Keep out of the reach of children and seek immediate medical help if swallowed.

This symbol  indicates that batteries should not be disposed of in the normal household waste but taken to appropriate local recycling facilities, where and when these are available.

Never throw batteries in a fire or attempt to open the outer casing



PRODUCT GUARANTEE

This product is guaranteed against manufacturing defects for a period of:



Year

This product is guaranteed for twelve months from the date of original purchase.

Any defect that arises due to faulty materials or workmanship will either be replaced, refunded or repaired free of charge where possible during this period by the dealer from whom you purchased the unit.

The guarantee is subject to the following provisions:

- The guarantee does not cover accidental damage, misuse, cabinet parts, knobs or consumable items.
- The product must be correctly installed and operated in accordance with the instructions contained in this manual.
- It must be solely for domestic purpose.
- The guarantee will be rendered invalid if the product is re-sold or has been damaged by inexperienced repair.
- Specifications are subject to change without notice.
- The manufacturer disclaims any liability for the incidental or consequential damages.
- The guarantee is in addition to and does not diminish your statutory or legal rights.

Guarantor: Argos Ltd.,
489-499 Avebury Boulevard
Central Milton Keynes
MK9 2NW

CE

Oct 14/Issue: 1.1