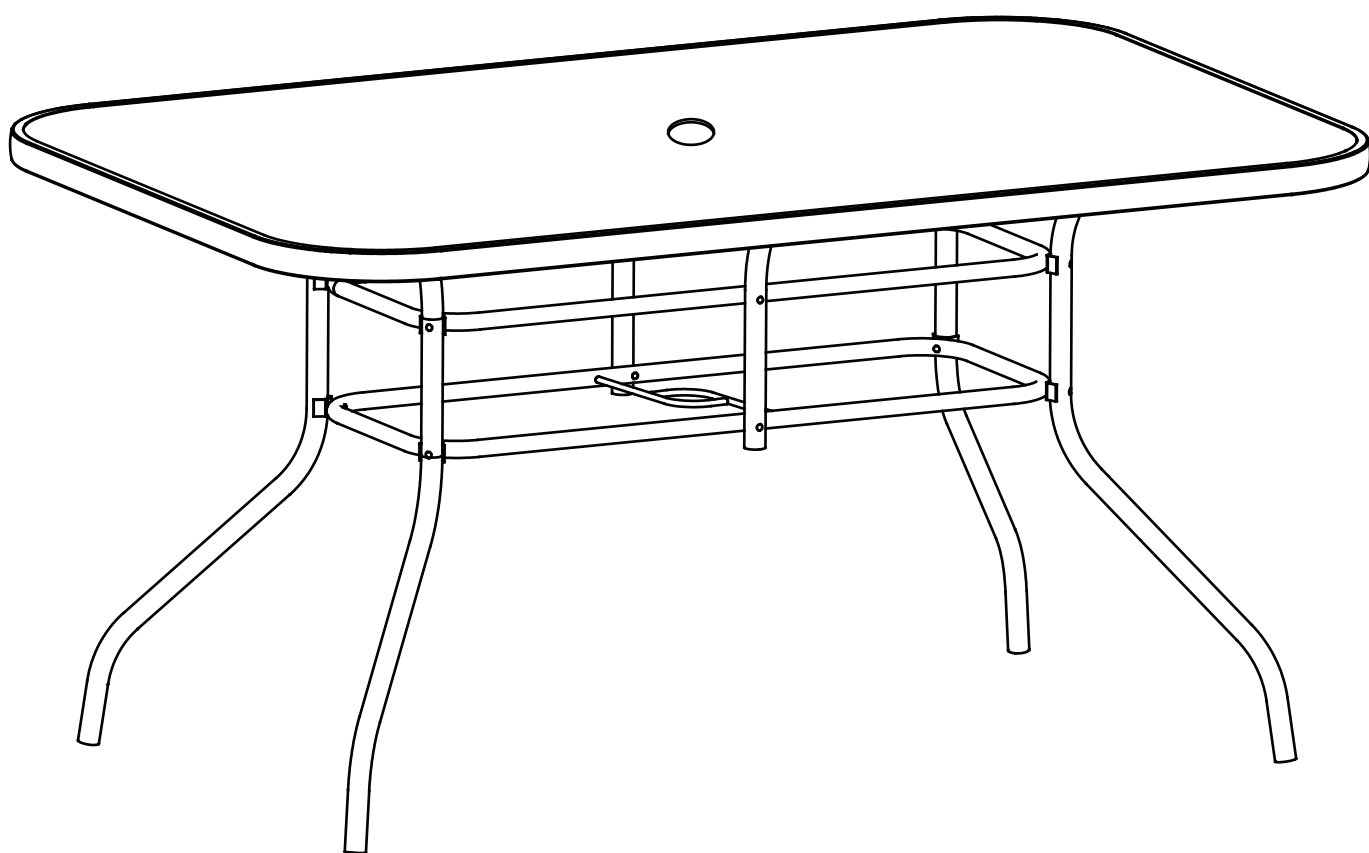


# Sicily

# HOME



## Spare Parts

 [www.argos-support.co.uk](http://www.argos-support.co.uk)

 [Help@ClickSpares.co.uk](mailto:Help@ClickSpares.co.uk)

 0370 112 1928

## Customer Support

 0345 640 2020



# Safety and Care Advice

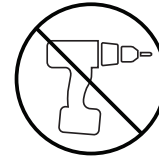
---

## Product Details

336/8433

## IMPORTANT, RETAIN FOR FUTURE REFERENCE: READ CAREFULLY.

- Keep children and animals away from the work area, small parts could choke if swallowed.
- Assemble the item as close to its final position (in the same room) as possible.
- Assemble on a soft level surface to avoid damaging the unit or your floor.
- We do not recommend the use of power drill/drivers for inserting screws as this could damage the unit. Only use hand screwdrivers.
- Make sure you have enough space to layout the parts before starting.
- Parts of the assembly will be easier with 2 people.
- This product has been constructed to be used in the domestic environment only and not for commercial purposes.
- Dispose of all packaging carefully and responsibly.



## Care and maintenance

---

- During assembly do not lay the glass directly onto hard or rough surfaces. We recommend laying the glass on a blanket or cardboard during assembly. You could even use the box.
- Do not sit or stand upon the glass surface.
- Do not strike the glass with hard or pointed items, or use the glass as a chopping surface.
- Do not drag rough or heavy objects over the top of the glass.
- For tables that can be used outdoors, if your table has a parasol, make sure the edge of the parasol cut-out has a protector in place. In addition always use a weighted parasol base, and remove the parasol in windy conditions. Parasols can put pressure on the table top or even blow the table over in windy weather.
- When lifting or moving the product, ask for someone to lend a hand, trying to move a product on your own can lead to accidents.
- We recommend using place mats, coasters and table cloths to help protect against scratches and accidentally dropped items.
- For tables that can be used outdoors it is advised that the table is kept covered when not in use to protect the glass from the weather and accidental damage.
- Do not use furniture if any parts are missing or broken. Contact your retailer immediately.
- Clean the glass regularly to make sure there are no grit on the top.
- Do not place very hot or very cold items, such as saucepans or barbecues, directly on the glass surface. Extreme temperature differences over small areas can damage glass.
- Do not clean glass with washing powders or any other substances containing abrasives, since these substances can scratch glass.

## Additional Guidance

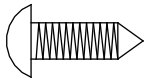
---

- Assemble all parts and bolts loosely during assembly, only once the product is complete should you fully tighten the bolts.
- Regularly check and ensure that all bolts and fittings are tightened properly.
- This product is compliant BS EN581-1; BS EN581-3

# Fittings (Shown to scale)

---

A



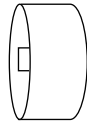
ST4.2 x 12 Screw x 6

D



D13 Washer x 24

G



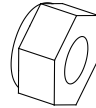
M6 Bolt Cap x 12

B



M6 x 55mm Bolt x 8

E



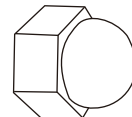
M6 Metal Nut x 12

C



M6 x 52mm Bolt x 4

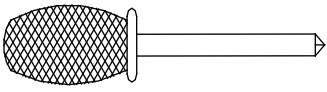
F



M6 x P1.0 Plastic Nut x 12

# Tools required

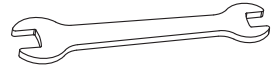
---



**H** screwdriver X1



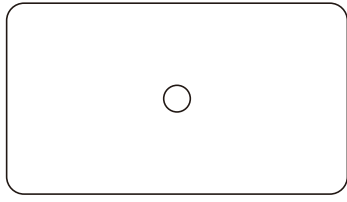
**I** Allen Key X 1



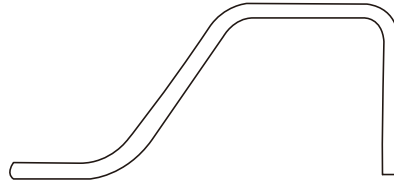
**J** Spanner X 1

# Components - Parts

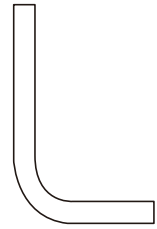
---



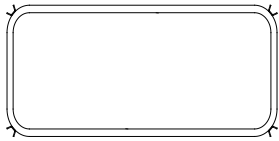
1 Table Top x 1



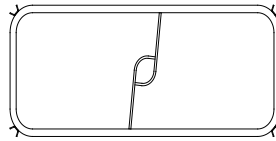
2 Leg x 4



3 Support x 2

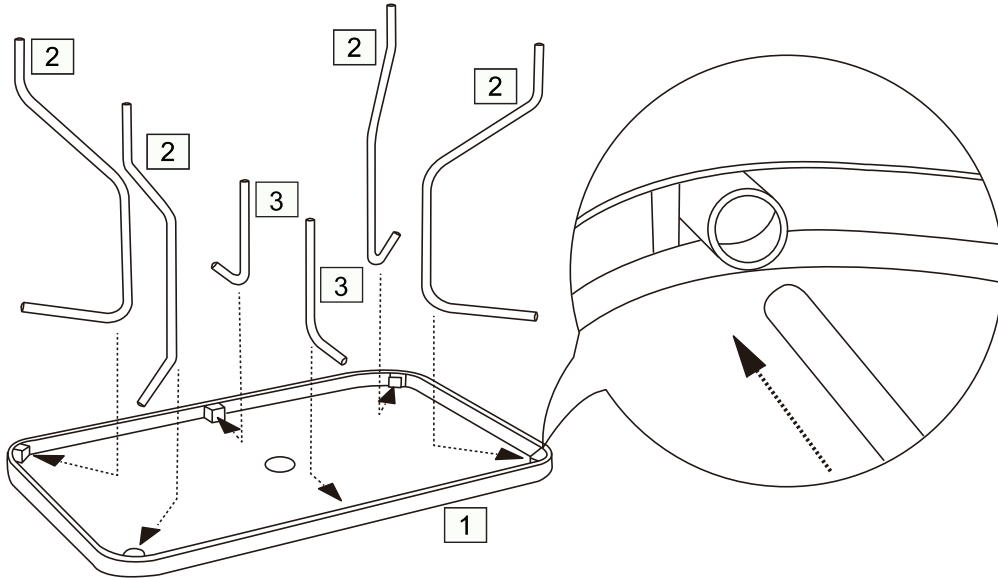
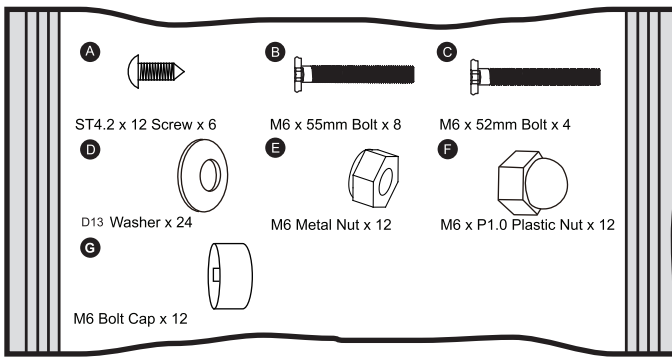


4 Center Connector x 1

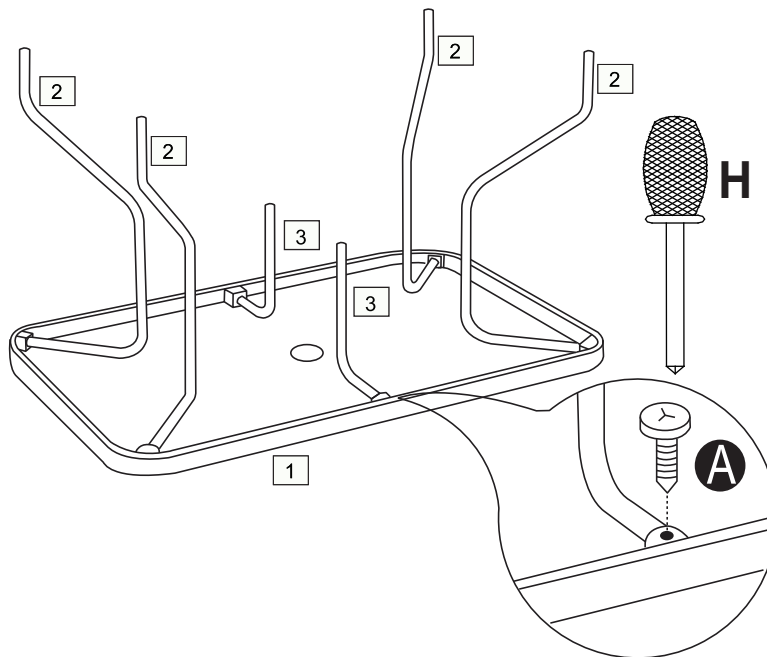
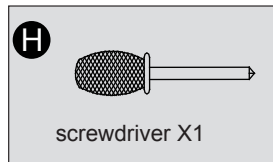
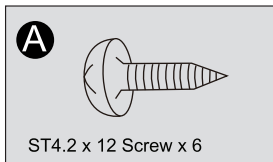


5 Center Connector With Ring x 1

# 1



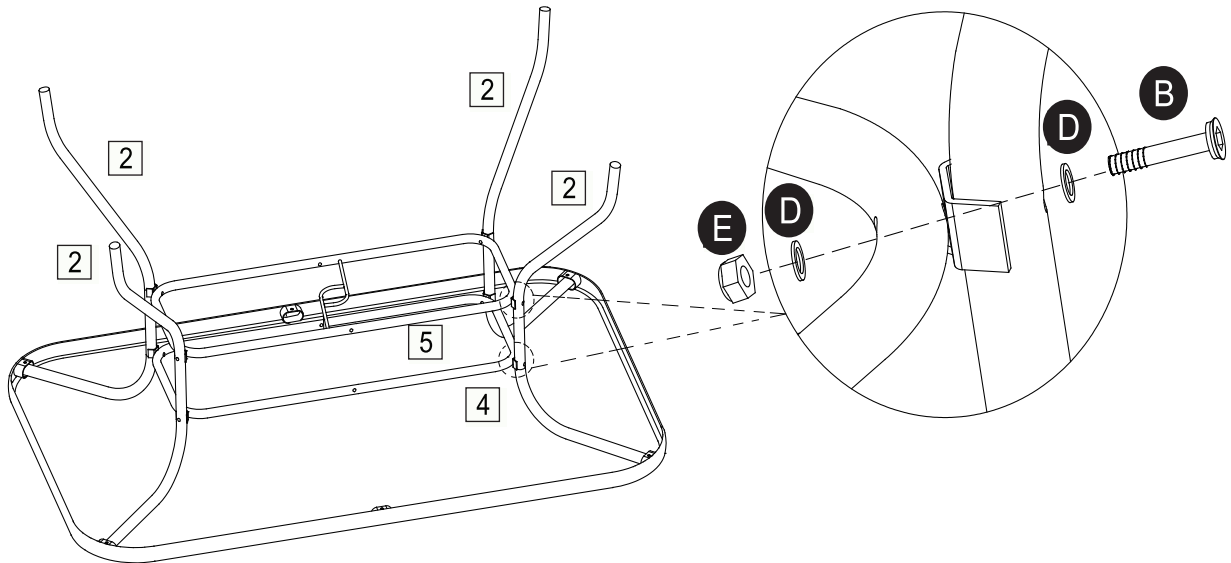
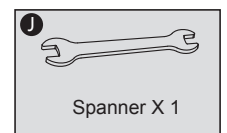
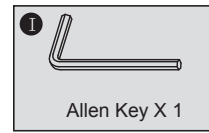
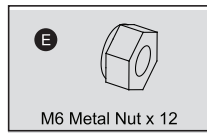
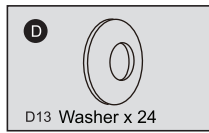
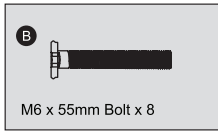
# 2



 Repeat  
x6

Important:  
Do not fully tighten all screws  
until assembly is complete.

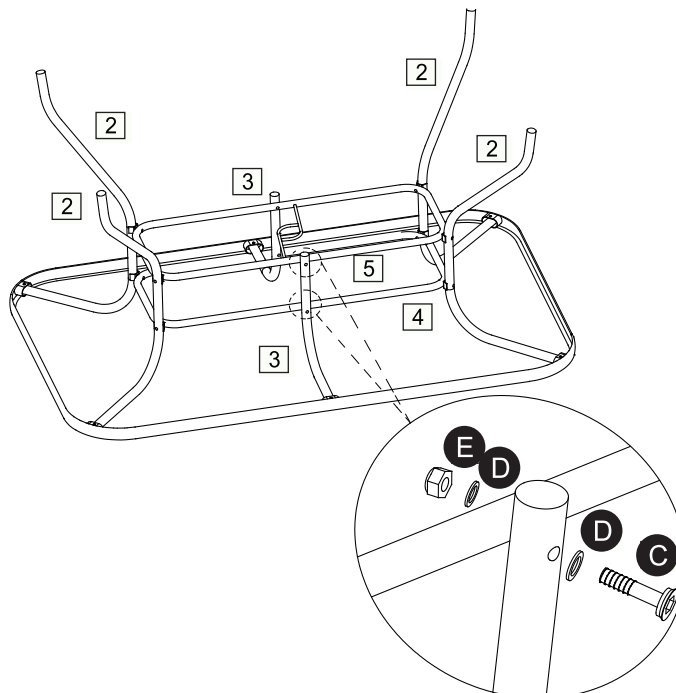
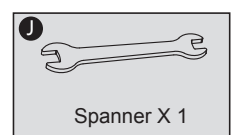
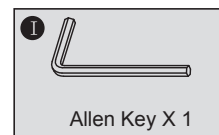
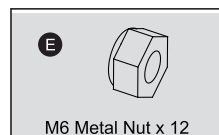
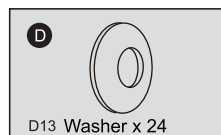
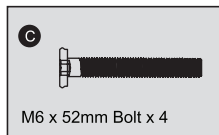
# 3



 Repeat  
x8

**Important:**  
Do not fully tighten all screws  
until assembly is complete.

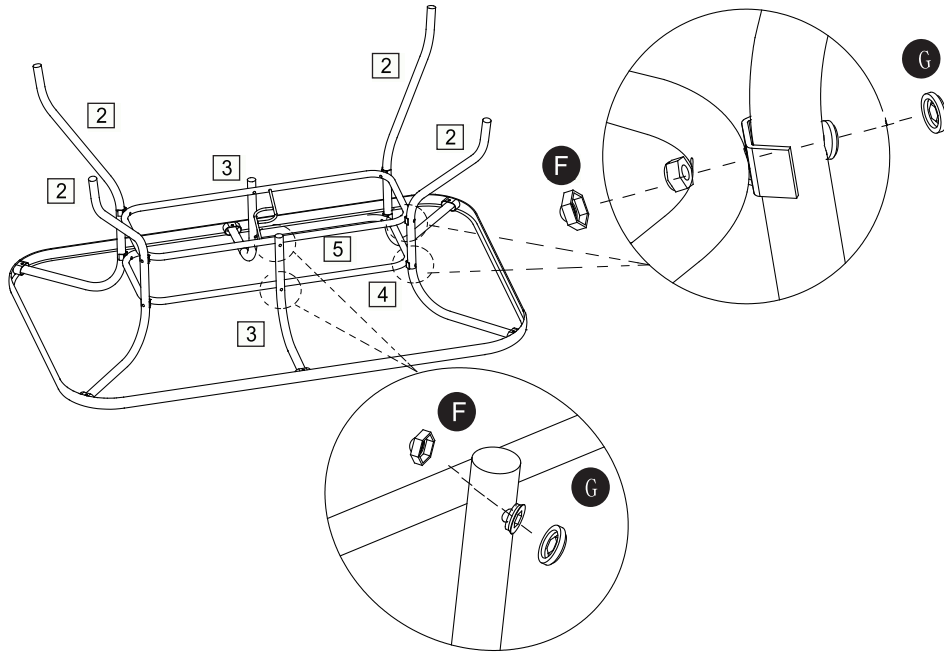
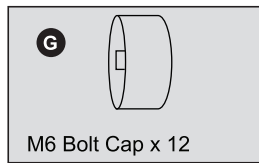
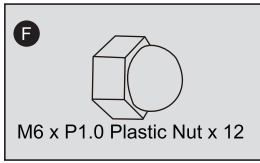
# 4



 Repeat  
x4

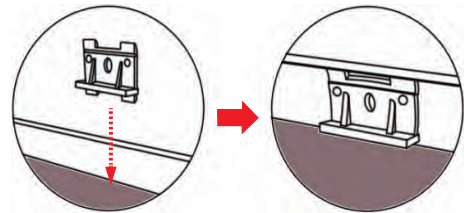
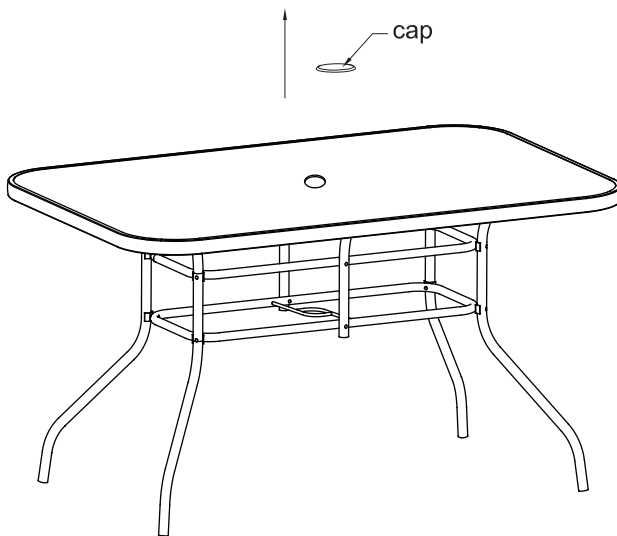
**Important:**  
Do not fully tighten all screws  
until assembly is complete.


# 5



 Repeat  
x12

# 6



 **Warning:** Don't detach the plastic support from the table frame! It is for glass support!



## Warning:

The parasol must be placed into the parasol's base if the table set need to match a parasol.

