



# 17 Litres Microwave

Model No. P70J17AP-VB



## Care & Instruction Manual

For household and indoor use only

Please read these instructions before use and retain for future reference



# Contents

Safety Information.....	3
Installation .....	6
Parts and assembly .....	7
Control panel .....	8
Setting the clock .....	9
Stop cooking / Clear .....	9
Child lock .....	9
Kitchen Timer .....	10
Selecting microwave oven power .....	10
Express microwave mode .....	11
Microwave cooking .....	11
Defrosting .....	12
Multistage cooking .....	13
Auto cook function .....	15
Cleaning your oven .....	18
Materials suitable for use in the oven .....	19
General microwave cooking advice .....	20
Troubleshooting .....	21
Technical Specification .....	22
Recycling electrical products .....	22
Plug rewiring .....	23
Guarantee .....	24

## Electrical safety


### Important – Please read these instructions fully before installation

- You should only plug the appliance into a 230V-240V AC, 50Hz supply. Connecting it to other power sources may damage the appliance and will invalidate the guarantee.
- **WARNING:** It is hazardous for anyone other than a competent person to carry out any service or repair operation that involves the removal of a cover that gives protection against exposure to microwave energy. Servicing of this appliance must only be carried out by a qualified electrician.
- **WARNING:** If the door or door seals are damaged, the oven must not be operated until it has been repaired by a competent person. Do not operate this appliance if damaged or modified in any way.
- **WARNING:** Liquids and other foods must not be heated in sealed containers since they are liable to explode.
- Keep the appliance and its cord out of reach of children less than 8 years.
- This appliance can be used by children aged from 8 years and above and persons with reduced physical, sensory or mental capabilities or lack of experience and knowledge if they have been given supervision or instruction concerning use of the appliance in a safe way and understand the hazards involved. Children shall not play with the appliance. Cleaning and user maintenance shall not be made by children unless they are aged from 8 years and above and supervised.
- Switch off and unplug before cleaning or servicing the appliance.
- Keep microwave, cable and plug dry and away from areas where it is likely to get splashed. Never immerse in water. Never clean with a steam cleaner.
- Do not pull on the cable to disconnect from the mains supply.
- This oven must be positioned so that the plug is accessible and the plug socket is within easy reach of the power cord.
- Do not operate the microwave if damaged or after it malfunctions. In the event the supply cord is damaged, it must only be replaced by a qualified service engineer, with a suitably approved part.
- Do not place items with naked flames or containers with liquids on this appliance.
- The mains plug shall be connected to a mains socket outlet with a protective earth connection.

## Electrical safety (continued)

- All microwaves are tested and approved in accordance with current electromagnetic safety and compatibility regulations and standards. As a precautionary measure, pacemaker manufacturers recommend wearers to keep a minimum distance of 20-30 cm between an operating microwave oven and the pacemaker in order to avoid possible interference with the pacemaker. If you suspect there may be interference, turn the microwave off immediately and contact the manufacturer of the pacemaker.

## Warning!

- This appliance is not intended to be used in: staff kitchen areas in shops, offices and other working environments; farm houses; by clients in hotels, motels and other residential type environments; bed and breakfast type environments.
- Microwave heating of beverages can result in delayed eruptive boiling; therefore care must be taken when handling the container.
- If you are preparing food or liquid for a baby stir or shake the contents and check the temperature before consumption in order to avoid burns.
- Never cook or heat eggs in their shell or whole hard boiled eggs, as they may explode even after cooking in the microwave has been completed.
- The oven should be cleaned regularly and any food deposits removed – see page 10 for details. Failure to maintain the oven and seals in a clean condition could lead to deterioration of the surface or seals, adversely affect the life of the oven and possibly result in a hazardous situation.
- Never operate the oven when empty and avoid leaving unattended during use.
- Do not cover and allow adequate ventilation – see page 6 for clearance required.
-  The surfaces of the oven and the containers inside will become hot during and immediately after use; wear oven gloves when handling.
- Check regularly during cooking cycle especially when using plastic or paper containers to ensure food and containers do not ignite.

## **Warning!** (continued)

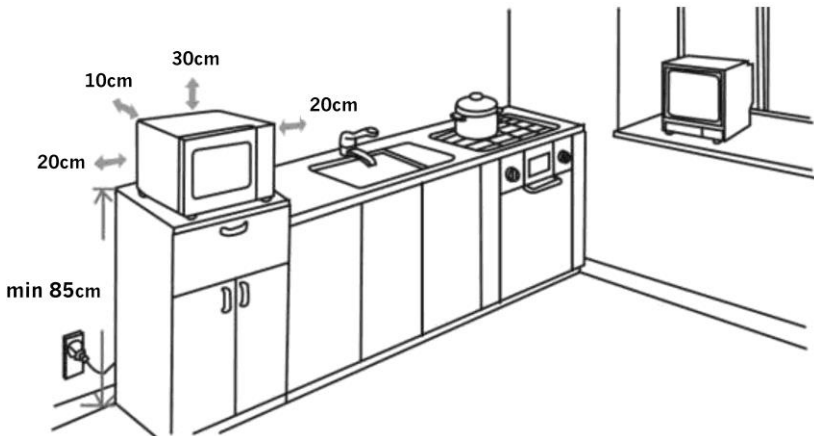
- If smoke is emitted, switch off the appliance and keep the door closed in order to stifle any flames.
- Do not use oven on, near or under flammable or heat sensitive items.
- **Do not place foil wrapped food, metal containers or containers with metal parts or trim when using the microwave oven.**
- Do not use with a cracked or missing turntable or without the turntable roller.
- The microwave oven is intended for heating food and beverages. Drying of clothing and heating of warming pads, slippers, sponges, damp cloth and similar may lead to risk of injury, ignition or fire.
- **Always check for container and utensil suitability before using in the microwave oven - see page 11 for advice.**
- The appliance is intended to be used freestanding and must not be placed in a cabinet.

## **Food safety**

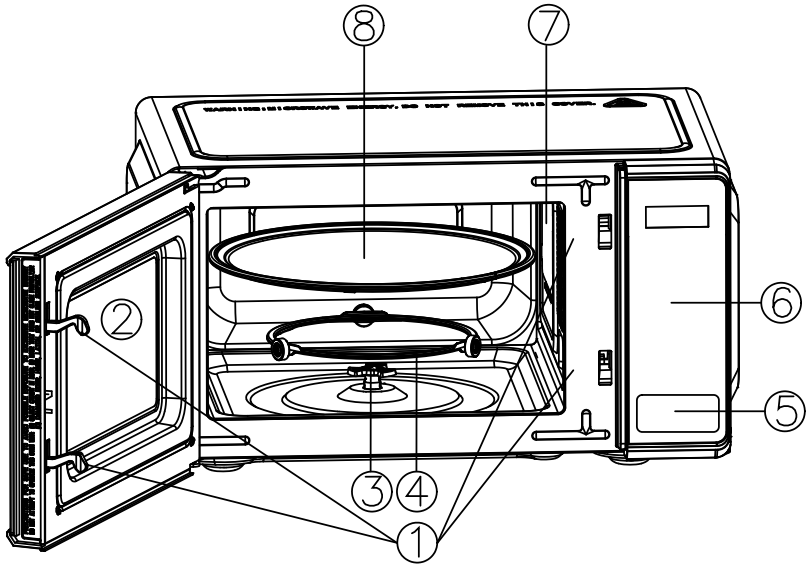
- Do not cook raw meat or raw shellfish in a microwave, due to the possibility for uneven heating.
- Do not use microwave for home canning or bottling. Improperly canned or bottled foods may spoil and be dangerous to eat.
- **Always check the temperature of food before serving.**
- Food cooking times will vary with microwave wattage (MAFF rating). When following recipes and on pack cooking instructions always check the MAFF rating / wattage of the appliance being used (marked on the front of the microwave) and follow the corresponding cooking advice.

## Installation

- This microwave is designed to be free standing and is not intended to be used 'built in' or in a cabinet.
- Select a level surface away from televisions, cookers and other heat producing appliances.
- Ensure adequate ventilation and allow a clearance of
  - 20cm at each side of the oven
  - 30cm clearance above the oven
  - 10cm at the rear of the oven
  - The minimum installation height is 85cm
- Ensure that the cable is not close to any or sharp or hot surfaces and or where it is likely to cause a trip hazard.



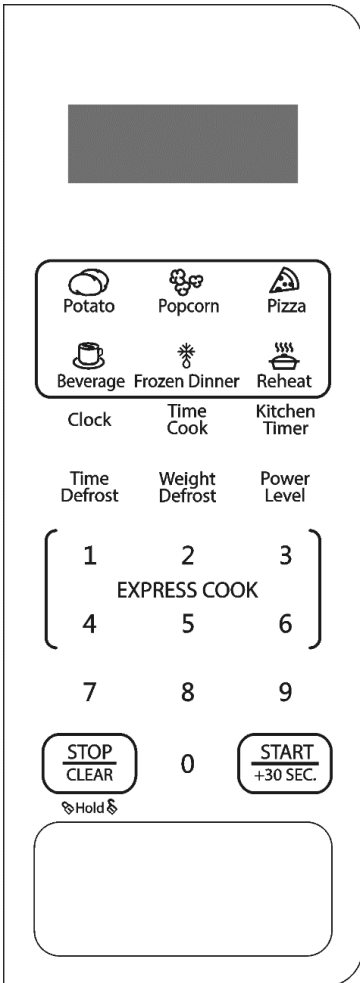
## Parts & assembly



- |                            |                        |
|----------------------------|------------------------|
| 1. Interlocking catches    | 5. Door release button |
| 2. Door with viewing panel | 6. Control panel       |
| 3. Turntable shaft         | 7. Waveguide cover     |
| 4. Turntable roller        | 8. Glass turntable     |

- Ensure all packaging materials, protective film and adhesive tape are removed and check the oven and door for any damage. **Do not remove the wave guide cover.**
- Assemble as shown above and ensure that the glass turntable is correctly positioned on the shaft and roller.

## Control panel



### Basic Features

#### Clock

Press pad to set clock: 12-hour or 24-hour clock display.

#### Time Cook

Press pad to enter the desired cook time.

#### Kitchen Timer

Press pad to set timer.

#### Power Level

Press pad to enter the desired microwave power.

### EXPRESS COOK

Starts the microwave oven with preset amount of time.

### START/+30 SEC.

Starts every function.

Starts the microwave in increments of 30 seconds.

### STOP/CLEAR

Pause current function.

Cancels current selection or turns off the selection.

### Cooking Features

Potato / Popcorn / Pizza / Beverage / Frozen Dinner / Reheat

### Defrost

Cooks for a time based on food selection.

Defrosts based on user selection of weight or time.



## Setting the clock

1. Fully unwind the cable, plug in and switch on. The microwave will emit a single bleep and the display will show 1:01.
2. Press CLOCK pad once or twice to choose 12- or 24- hour clock, Hr12 or Hr24 will display.
3. Press the number pads to enter the correct time. For example, the time is 8:15 now, please press 8-1-5 in turn.
4. Press CLOCK to save the setting.

### Notes:

- It could be set either a 12- or 24-hour clock.
- In the process of clock setting, if the STOP/CLEAR pad is pressed or if there is no operation within 30 seconds, the oven will go back to the former setting automatically.
- If the oven is unplugged or turned off at the mains the clock setting will be lost.
- To check the time during oven operation, press the CLOCK pad and the time will display briefly before returning to the countdown timer.

## Stop cooking / Clear

1. The oven can be stopped at any time by pressing the STOP/CLEAR pad or by opening the door.
2. If the oven door is OPEN, press the STOP/CLEAR pad ONCE to clear all settings.
3. If the oven door is CLOSED, press the STOP/CLEAR pad TWICE to clear all settings.

## Child Lock

This function helps prevent accidental operation during cleaning or unsupervised operation of the oven by children.

- To activate the lock, press and hold the STOP/CLEAR pad (approx. 3 seconds), until the locked symbol 'Loc' is displayed and a single bleep is heard.
- To deactivate the lock, press and hold the STOP/CLEAR pad until a single bleep is heard (approx. 3 seconds) and the locked symbol 'Loc' extinguishes.

## Kitchen Timer

1. Press KITCHEN TIMER pad once, the display will show ' : '.
2. Press the number pad and enter set time. For example, the set time is 8:30, please press 8,3,0 in turn. (note: the maximum time is 99 minutes and 99 seconds)
3. Press START/+30SEC to save.
4. The timer will now start to count down and the display will return to the clock in approx. 3 seconds. When the set time has elapsed a single long beep is heard.

### Notes:

- The kitchen timer is different from clock system, it is just a timer.
- To check the timer during standby mode, press the KITCHEN TIMER pad and the countdown timer will display briefly before returning to the clock.

## Selecting microwave oven power

The default on the microwave oven is set to cook at full power unless otherwise changed. To select a lower power setting, press the POWER LEVEL pad and enter desired power level after setting the cooking time. The power selected will be shown in the display.

Display	Power (%)
P100	100 (Full)
P-90	90
P-80	80
P-70	70
P-60	60
P-50	50

Display	Power (%)
P-40	40
P-30	30
P-20	20
P-10	10
P-00	0

Note: When P-00 is selected, the oven will be fan only operation. This may allow removing the odour of the oven.

## **Express microwave mode**

This function allows the microwave to be set quickly at set increments.

1. Place the item to be cooked in a suitable container. Open the door and position the container in the centre of the glass turntable. Securely close the microwave door.
2. Press the START/+30SEC pad to program to cook on full power for 30 seconds. Each successive press will increase the cooking time by 30 seconds.
3. Alternatively press the number pads 1 to 6 to cook on full power for 1 to 6 minutes respectively.
4. The microwave will automatically start a few seconds after the last pad press and the timer will start to count down.

Note: Cooking time can be extended during oven operation by pressing the START/+30SEC pad. Each successive press will increase the cooking time by 30 seconds.

## **Microwave cooking**

1. Place the food to be cooked in a suitable microwave safe container and cover.
2. Press the door button to open the door, place the container in the centre of the glass turntable and securely close the oven door.
3. Press Time Cook pad once, ' : ' will be displayed and then use the numbers pad to enter the length of the cooking time (1 second to 99 minutes & 99 seconds). For example, press 7-1-5 in turn for cooking time of 7 minutes and 15 seconds.
4. Press the POWER LEVEL pad to select microwave function, the display will show P100. If wanting to cook at less than full power, press the number pads (1 - 9) and the desired power level will be shown in the display. For example, press 5 for 50% of microwave power.
5. Press the START/+30SEC pad to select.
6. The microwave will start to cook and the timer will start to count down.
7. Cooking can be interrupted to stir contents or check cooking progress by opening the door. Settings will be retained and cooking will restart when the door is closed and the START/+30SEC pad is pressed.
8. After the cooking time has finished, the display will show 'End', the

- microwave will turn off automatically and four beeps will sound.
9. Allow food to stand for 30 seconds to one minute before stirring or serving.
  10. The oven can be stopped at any time by pressing the STOP/CLEAR pad or by opening the door. Pressing the STOP/CLEAR pad once (with the door closed) will stop the cooking; pressing the pad twice will clear the settings.

#### Notes:

- Never operate the oven when empty as this could result in overheating and damage to the magnetron.
- In the process of setting, if the STOP/CLEAR pad is pressed or if there is no operation within 30 seconds, the oven will go back to the former setting automatically.
- Cooking time can be extended during microwaving cooking by pressing the START/+30SEC pad. Each successive press will increase the cooking time by 30 seconds.
- To check the current microwave power level during oven operation, press the POWER LEVEL pad and the power level will display briefly before returning to the countdown timer.
- The oven will beep approx. every 2 minutes to remind user the cooking time has finished until STOP/CLEAR pad is pressed or the door is opened.

## Defrosting

### 1. Weight defrost

- a. Weigh the item to be defrosted, place in a suitable microwave safe container and position in the centre of the glass turntable. Securely close the microwave door.
- b. Press the WEIGHT Defrost pad once and the display will show '0' and then use the number pads to enter the weight to be defrosted (1-2000g).
- c. Press the START/+30SEC pad, the defrost time will be calculated automatically, the microwave will start to defrost and the timer will count down.
- d. After the defrost time has finished the display will show 'End', the microwave will turn off automatically and four beeps will sound.

Note: Approximately two-third way through the weight defrost program two beeps will be heard, and food should be rearranged or turned over.

## 2. Time defrost

- a. Place the food to be defrosted in a suitable container and position in the centre of the glass turntable. Securely close the microwave door.
- b. Press the TIME Defrost pad once and the display will show ‘ : ’ and then use the number pads to enter the length of the defrosting time (1 second to 99 minutes & 99 seconds).
- c. Press the START/+30SEC pad, the defrost time will be calculated automatically, the microwave will start to defrost and the timer will count down.
- d. After the defrost time has finished the display will show ‘End’, the microwave will turn off automatically and four beeps will sound.

Note: Approximately one-half way through the time defrost program two beeps will be heard, and food should be rearranged or turned over.

## Multistage cooking

The oven can be programmed to carry out up to three consecutive functions.

- a. Time defrost followed by one or two microwave cooking stages, or
- b. Two microwave cooking stages only.

For example, if you wish to first defrost the food then cook by two different microwave power levels.

1. Place the food to be cooked in a suitable container for all the cooking methods to be used and position in the centre of the glass turntable. Securely close the microwave door.
2. Press the TIME DEFROST pad to select the function and press the number pads to enter the length of the defrosting time (1 second to 99 minutes & 99 seconds).
3. Press the TIME COOK pad and then use the number pads to enter the length of the 1<sup>st</sup> microwaving time (1 second to 99 minutes & 99

seconds).

4. Press the POWER LEVEL pad to select microwave power for the 1<sup>st</sup> microwave cooking stage.
5. Press the TIME COOK pad and then use the number pads to enter the length of the 2<sup>nd</sup> microwaving time (1 second to 99 minutes & 99 seconds).
6. Press the POWER LEVEL pad to select microwave power for the 2<sup>nd</sup> microwave cooking stage.
7. Press the START/+30SEC pad to begin the sequence.
8. The display will show the cooking time remaining during each step and the oven will bleep one time after each step.
9. Cooking can be interrupted to stir contents or check cooking progress and proceed as described in steps 8 - 10 in the microwave cooking section (page 11).

#### Notes:

- Only function of Time Defrost could be chosen for defrosting and must be programmed as the 1st cooking stage.
- Approximately one-half way through the time defrost program two beeps will be heard, and food should be rearranged or turned over.
- Step 5 and 6 could be skipped if only one microwave cooking stage is involved.
- Auto cook and express microwave mode cannot be programmed into multistage cooking.

## Auto cook function

1. The oven has a pre-programmed cooking menu that can be used immediately from start up just by pressing the relevant pad.
2. After checking the cooking method used in the table following, place the food to be cooked in a suitable container and cover when necessary.
3. Open the door and place the container in the centre of the glass turntable and securely close the oven door.
4. Press the auto-cooking programme of choice (see table on next page) and press the pad repeatedly to select the cooking mode of choice.

Menu	No. of Press	Function	Procedures for setting
Potato	x 1	For small potatoes (120-170g /serving)	Press the POTATO pad once and enter the number of potatoes (1, 2, 3 or 4). Press the START/+30SEC pad to select.
	x 2	For large potatoes (220-280g /serving)	Press the POTATO pad twice and enter the number of potatoes (1, 2, 3 or 4). Press the START/+30SEC pad to select.
Popcorn	x 1	For a 99g bag of microwave popcorn	Press the POPCORN pad once and the display will show '2:30'. Press the START/+30SEC pad to select.
	x 2	For popcorn other than default weight	Press the POPCORN pad twice and the display will show ' : ' enter the length of desired cooking time (1 second to 99 minutes & 99 seconds). Press the START/+30SEC pad to select.
Pizza	x 1	For re-heating a slice of pizza	Press the PIZZA pad once and the display will show '1:40'.

		(~150g)	Press the START/+30SEC pad to select.
	x 2	For heating a whole frozen pizza (~450g)	Press the PIZZA pad twice and the display will show '6:00'. Press the START/+30SEC pad to select.
Beverage	x 1	For cups (150-200ml /serving)	Press the BEVERAGE pad once and enter the number of cups (1, 2, 3 or 4). Press the START/+30SEC pad to select.
	x 2	For cups (250-300ml /serving)	Press the BEVERAGE pad twice and enter the number of cups (1, 2, 3 or 4). Press the START/+30SEC pad to select.
Frozen dinner	x 1	For small frozen dinners (200-250g /serving)	Press the FROZEN DINNER pad once and enter the number of entree (1 or 2). Press the START/+30SEC pad to select.
	x 2	For large frozen dinners (280-340g /serving)	Press the FROZEN DINNER pad twice and enter the number of entree (1 or 2). Press the START/+30SEC pad to select.
Reheat	x 1	For reheating medium-sized food (350-500g)	Press the REHEAT pad once and the display will show '4:30'. Press the START/+30SEC pad to select.

5. The oven will start to cook and the timer will start to count down from the preset time.
6. Cooking can be interrupted to stir contents or check cooking progress by opening the door. Settings will be retained and cooking will restart when the door is closed and the START/+30SEC pad is pressed.



7. After the cooking time has finished, beeps will sound.
8. Allow food to stand for 30 seconds to one minute before stirring or serving.
9. The oven can be stopped at any time by pressing the STOP/CLEAR pad or by opening the door. Pressing the STOP/CLEAR pad once (with the door closed) will stop the cooking, pressing the pad twice will clear the settings.

Food	Weight / quantity	Instructions
Potato	See page 15	<b>Cooks by microwave</b> For best result, once the potatoes are cooked, wrap them in tin foil for at least 5 minutes to cook through. Larger or cold potatoes may need additional cooking.
Popcorn	See page 15	<b>Cooks by microwave</b> To avoid damage to the microwave oven, do not use regular paper bags or glassware. Follow the manufacturer's instruction when using a microwave popcorn popper.
Pizza	See page 15 - 16	<b>Cooks by microwave</b> To warm chilled pizza.
Beverage	See page 16	<b>Cooks by microwave</b> Heating liquid from 5-10°C. Use wide neck cup / mug and do not cover.
Frozen dinner	See page 16	<b>Cooks by microwave</b> Cover the plate with a microwavable plate cover with an integral air vent or with microwave safe cling film and pierce the cling film before reheating.
Reheat	See page 16	<b>Cooks by microwave</b> Place food in a bowl and cover. Check that food is heated throughout before serving.

## Cleaning

Clean the oven and seals to remove food debris on a weekly basis and more often if required. Failure to maintain the oven and seals in a clean condition could lead to deterioration of the surface or seals, adversely affect the life of the oven and possibly result in a hazardous situation (possible release of microwave energy).

1. Switch off, unplug the oven and allow the oven to cool completely.
2. Wipe surfaces and seals with a soft damp cloth (not wet). Do not use abrasive cleaning products or metal scrapers to clean the glass door of the oven as this could damage the surface and cause breakage. Do not immerse in water. Do not use a steam cleaner.
3. The glass turntable and turntable roller can be washed in hot water with a little washing up liquid. **NOT SUITABLE FOR DISHWASHERS.**
4. Always allow surfaces to fully dry before using the oven again.

## Guide for materials suitable for use in a microwave

Material	Use	Suitability
Plastics containers	Cooking vessel	Microwave safe plastic only. Do not use melamine dishes and avoid using with food with high fat or sugar contents
Plastic wrap	Covering food	Microwave safe plastic only.
Glass	Cooking vessel	Heat resistant glass only
Ceramic ware	Cooking vessel	Heat resistant cookware only with no metallic decoration
Paper	Covering food	Use for reheating only. Do not leave unattended
Browning dishes	Cooking vessel	Place upturned plate on the glass turntable (to prevent heat stress) before cooking.
Disposable containers	Cooking vessel	Paper plates and cups – use for reheating only Thin plastic – use for reheating only Roasting bags – Use in accordance with manufacturer’s instructions

**DO NOT use metallic containers for food and beverages, aluminium foil, or any other metal trimmed packaging in the oven.**

## General microwave cooking advice

- Food cooking times will vary with microwave wattage (MAFF rating). When following recipes and on pack cooking instructions always check the MAFF rating / wattage of the appliance being used (marked on the front of the microwave) and follow the corresponding cooking advice.
- Beverages can result in delayed eruptive boiling; therefore care must be taken when handling the container.
- Remove lids from containers before placing in the microwave, pierce plastic films and do not use vessels with sealed or restricted openings since they are liable to explode.
- **Pierce the skin or membranes of food (e.g. potatoes, apples, fish, chicken, eggs) in several places before cooking. Never cook or heat eggs in their shell or whole hard boiled eggs, as they may explode even after cooking has been completed.**
- Ensure food is similar size and density. Large dense items take longer to cook than small ones e.g. potatoes take longer to cook than peas.
- Food quantity will affect the cooking time, e.g. two potatoes take longer than one.
- The shape of food will affect the cooking time; place the thickest part of food on the outside of the plate.
- Leave food to stand for a short period after cooking or defrosting to allow the temperature to become uniform.

## Troubleshooting

Observation	Potential cause / solution
Oven will not start	Plug not fully inserted into the mains socket or not switched on
	Door is open
	Incorrect operation
	Do you have a power cut?
Arcing or sparking	Unsuitable materials used when using microwave.
	Oven is operated when empty
	Spilled food remains in oven cavity
Unevenly cooked food	Unsuitable materials used when using microwave.
	Food not fully defrosted before cooking
	Power setting for cooking time is incorrect
	Food was not turned or stirred during cooking
	Uneven sized food
Overcooked food	Power setting for cooking time is incorrect
	Cooking period set too long
Undercooked food	Food not fully defrosted before cooking
	Unsuitable materials used when using microwave
	Ventilation ports restricted
	Power setting for cooking time is incorrect
Incomplete defrosting	Unsuitable materials used when defrosting
	Defrost time too short
	Food was not turned or stirred during defrosting
	Uneven sized food
Noisy turntable	Food residue between turntable roller and base of cavity
	Glass turntable not correctly positioned on roller
Oven light does not illuminate	Bulb has burnt out
	Start button not been pressed

## Technical specification

Cookworks 17 Litres Microwave Oven (EM7)		
Model	P70J17AP-VB	
Rated Voltage & Frequency	230 - 240V AC 50Hz	
Rated Power Input	1100W	
Rated Microwave Output	700W	
MAFF rating	C	
Rated Microwave Frequency	2450MHz	
Capacity	Overall	17 litres
	Usable	10 litres
Class rating	I (earthed)	
BS 1362 fuse	13A	
Diameter of glass turntable	245mm	
Product dimensions (external)	446 x 323 x 243 mm	
Product weight (net)	9.95 kg approx.	

This appliance complies with European regulation no. 1935/2004 of 27/10/2004 on food contact materials. The product is classified as a Group 2, Class B, ISM appliance. Group 2 includes all ISM (Industrial, Scientific or Medical) appliances in which radio frequencies are generated intentionally and/or used in the form of electromagnetic radiation to treat materials, together with electroerosion equipment. Class B includes equipment for domestic use or on premises directly connected to low voltage electricity supply for supplying buildings for residential use.



## Recycling electrical products

You should now recycle your waste electrical goods and in doing so help the environment.

This symbol means an electrical product should not be disposed of with normal household waste. Please ensure it is taken to a suitable facility for disposal when finished with. Visit [www.recycle-more.co.uk](http://www.recycle-more.co.uk), click on “bank locator” and enter your postcode to find your nearest recycling site.



## Plug / Wiring advice

The wires in this mains lead are coloured in accordance with the following UK electrical code:

BLUE = NEUTRAL

BROWN = LIVE

GREEN + YELLOW = EARTH

### Non-rewireable plug


This appliance may be fitted with a “non-rewireable” plug. If you need to change the fuse in a “non-rewireable” plug, the fuse cover must be refitted. If the fuse cover is lost or damaged, the appliance must not be used.

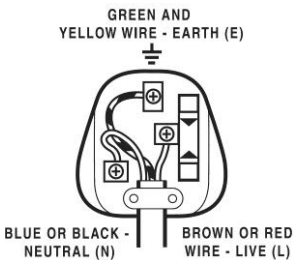
### Rewireable plug

The colours of the wires in the mains lead of this appliance may not correspond with the coloured markings identifying the terminals in a rewireable plug. **Rewireable plugs should only be replaced by a suitably competent person. If in doubt, consult a qualified electrician.**

The BLUE wire must be connected to the terminal marked with the letter N

The BROWN wire must be connected to the terminal marked with the letter L

The GREEN & YELLOW wire must be connecting to the terminal marked with the letter E or the earth symbol .



Produced in China for and imported by

Argos Limited, London, EC1N 2HT, UK.

Argos (N.I.) Ltd, Forestside Shopping Centre, Upper Galwally, Belfast, BT8 6FX, UK.

[www.argos.co.uk/cookworks](http://www.argos.co.uk/cookworks)

Tel: 0345 640 3030



## PRODUCT GUARANTEE

This product is guaranteed against manufacturing defects for a period of



Year

This product is guaranteed for twelve months from the date of original purchase.

Any defect that arises due to faulty materials or workmanship will either be replaced, refunded or repaired free of charge where possible during this period by the dealer from whom you purchased the unit.

The guarantee is subject to the following provisions:

- The guarantee does not cover accidental damage, misuse, cabinet parts, knobs or consumable items.
- The product must be correctly installed and operated in accordance with the instructions contained in this manual. A replacement copy of this instruction manual can be obtained from [www.argos-support.co.uk](http://www.argos-support.co.uk)
- It must be used solely for domestic purpose.
- The guarantee will be rendered invalid if the product is re-sold or has been damaged by inexpert repair.
- Specifications are subject to change without notice.
- The manufacturer disclaims any liability for the incidental or consequential damages.
- The guarantee is in addition to, and does not diminish your statutory or legal rights.

Guarantor: Argos Ltd

London  
EC1N 2HT, UK

[www.argos-support.co.uk](http://www.argos-support.co.uk)