



# Blink Video Doorbell Setup Guide





Thank you for purchasing Blink! The Blink Video Doorbell lets you see and hear what's happening at your front door and talk back through your smartphone with its two-way talk feature. We want you to have your Blink Video Doorbell up and running in no time, but in order to do so, please be sure to follow all instructions.

## What to expect when installing your doorbell:

1. Getting started in your Blink Home Monitor App.
2. Position your doorbell.
3. Mount your doorbell.

## What you may need:

- 1 Drill
- 1 Phillips head screwdriver no. 2
- 1 Hammer

For even more information, please visit our support site at: [support.blinkforhome.com](https://support.blinkforhome.com)



PLEASE FOLLOW ALL INSTRUCTIONS CAREFULLY AND READ THE **SAFETY INFORMATION ON PAGE 30**. FAILURE TO DO SO MAY RESULT IN FIRE, ELECTRIC SHOCK, OR PERSONAL INJURY.

## Part 1: Getting started in your Blink Home Monitor App



1. Download and launch the Blink Home Monitor App and create an account or log into your existing one.
2. If you created an account, in your app select "Add a System". If you logged into an existing account, select "Add a Blink Device".
3. Follow the in app instructions to complete setup.

For even more information, please visit our support site at: [support.blinkforhome.com](https://support.blinkforhome.com)

## Part 2: Position your doorbell

We recommend connecting your Blink Video Doorbell to existing doorbell wiring to extend your battery life even longer!

### 1. Turn off your power

If exposing doorbell wiring, for your safety, turn off your doorbell's power source at your home's breaker or fuse box. Press your doorbell to test if the power is off and follow the proper safety precautions before proceeding. If you are unsure about handling electrical wiring, consult a qualified electrician.

### 2. Determine your camera location

Activate your Blink Video Doorbell live view function to determine your doorbell's position. You can position your Blink Video Doorbell in place of your existing doorbell or anywhere around your door. We recommend installing your doorbell about 4 feet off the ground.

If you're exposing doorbell wiring, but not connecting your Blink Video Doorbell, wrap both individual wires separately with provided tape strips to terminate wires.

### 3. Adjust the angle with a wedge (Optional)

Do you like the view from your Blink Video Doorbell? If not, adjust it using the provided wedge set to angle your doorbell either left, right, up or down! See [figures A](#) and [B](#) on pages 6 and 7 for examples.

Note: You can fit the wedge over your existing wiring if you would like to wire your Blink Video Doorbell.

### 4. Select your trim cover (Optional)

Change your Blink Video Doorbell trim to better match your home using the provided alternative trim color. Simply snap off and snap on!

Figure A (Optional)

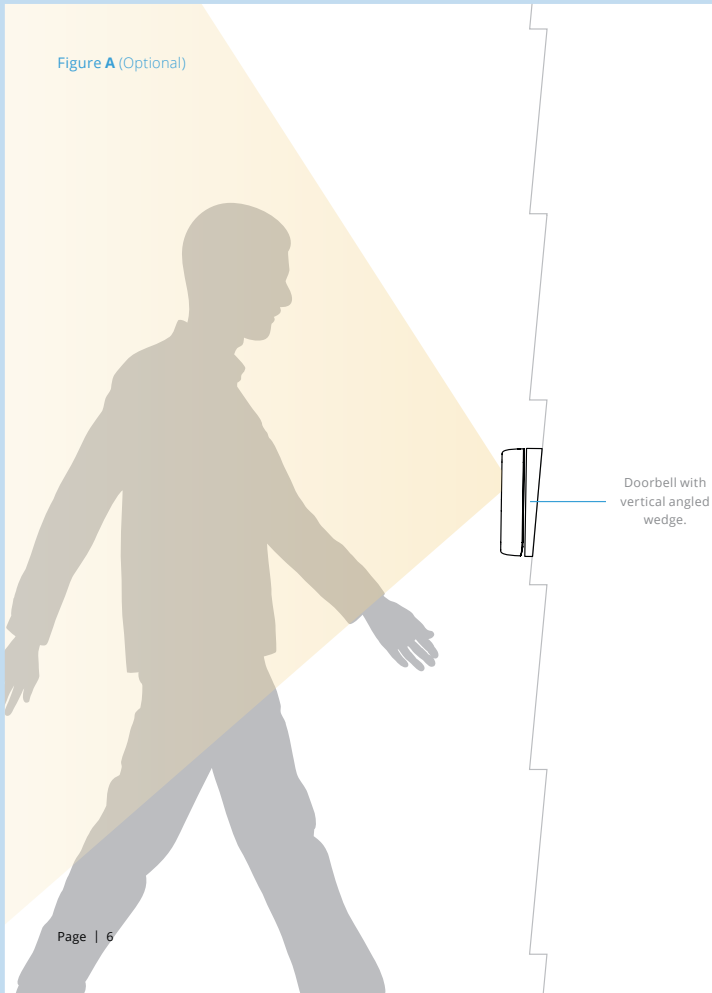
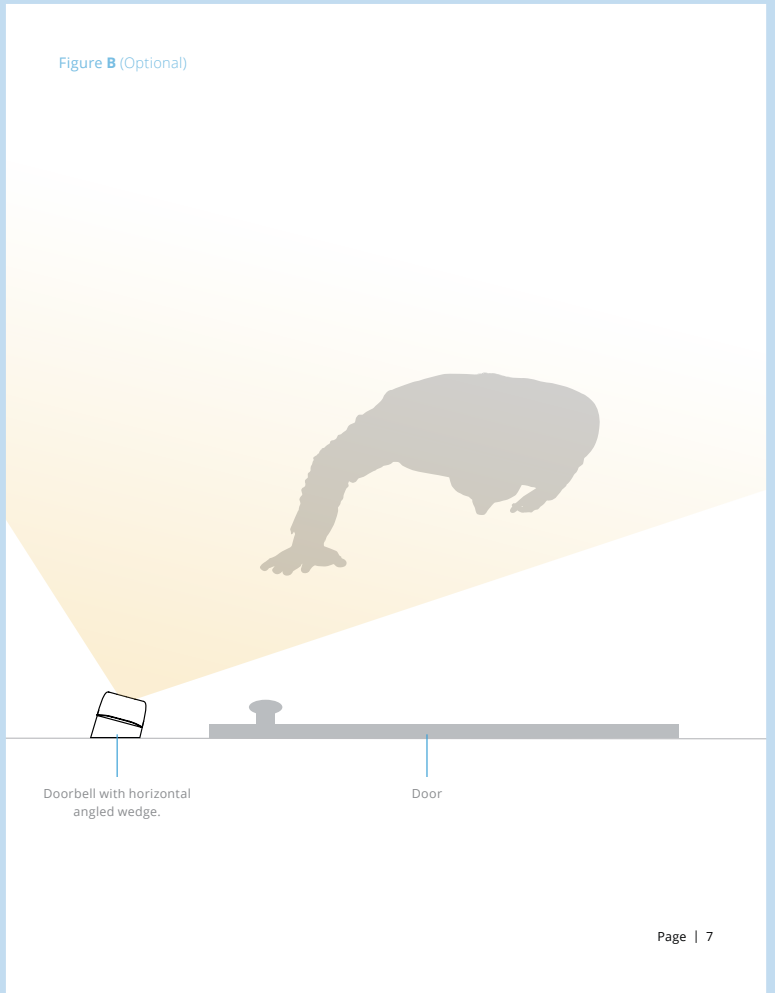


Figure B (Optional)



## Part 3: Mount your doorbell

Based on how you positioned your doorbell in the last step, select the mounting option below that best describes your setup. Go to the page number provided and follow your instructions.

**Regardless of the option you choose, please make sure that you have inserted the two AA lithium batteries prior to mounting your doorbell.**

If you are mounting your Blink Video Doorbell to a brick, stucco or other mortar surface, drill pilot holes and use the included anchors prior to mounting.

### A. Wires, No Wedge



You want to connect your Blink Video Doorbell to existing wiring and you do not need a wedge.

Go to page **10**

Page | 8

### B. No Wires, No Wedge

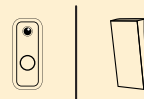


You do not want to connect to existing wiring and want to run on batteries only. You do not need a wedge.

(Note: If you don't use existing wiring, the doorbell will not sound your home's existing doorbell chime.)

Go to page **14**

### C. No Wires, Wedge



You do not plan to connect your Blink Video Doorbell to existing wiring and you want to use a wedge to adjust your field of view.

(Note: If you don't use existing wiring, the doorbell will not sound your home's existing doorbell chime.)

Go to page **18**

### D. Wires & Wedge



You want to connect your Blink Video Doorbell to existing wiring and you want to use a wedge to adjust the field of view.

Go to page **22**

Page | 9

## A. Wires, no wedge



1. Position mounting template so that wires fit through the designated "wiring" hole on template. You can find your removable mounting template on page 35.
2. Use the provided mounting template to either mark drill points or drill pilot holes for designated "mounting plate" holes.
3. Remove mounting plate from Blink Video Doorbell unit if you haven't already.
4. Loosen wire contact screws from mounting plate to allow space to wrap wiring.
5. Wrap wires around loosened screws and tighten securely (color of wire does not matter).

Continue on to the next page.

For even more information, please visit our support site at: [support.blinkforhome.com](https://support.blinkforhome.com)

Figure A

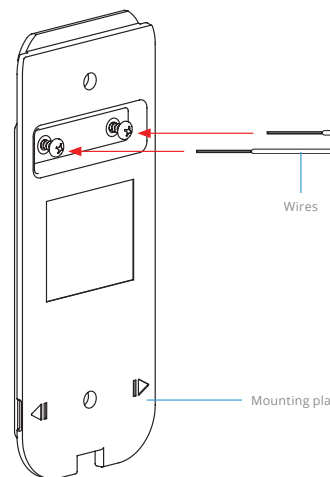
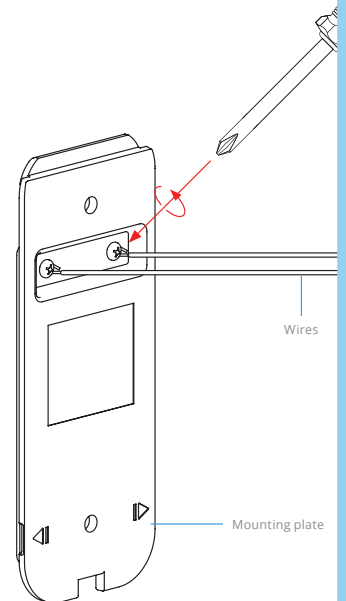
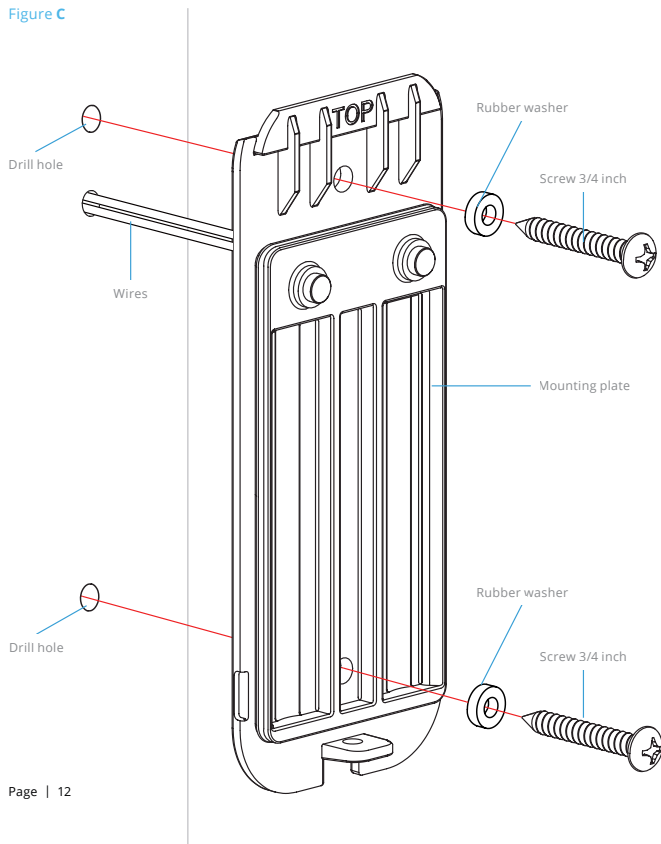


Figure B



- Line up mounting plate with drilled holes and secure using provided mounting screws.

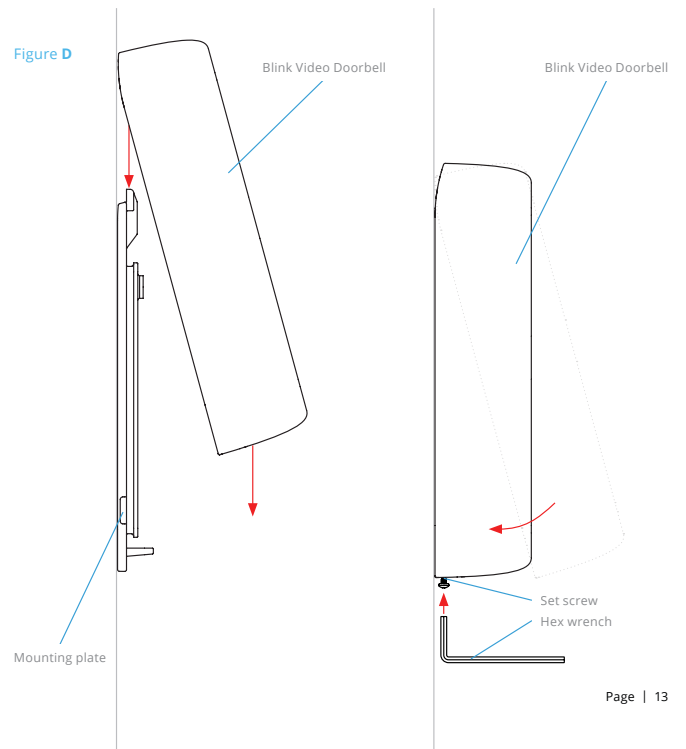
Figure C



- Attach Blink Video Doorbell unit to mounting plate and secure with screw using provided hex wrench.
- Turn power back on.
- Test Blink Video Doorbell and check that your house chime works.

Congratulations, you have installed your doorbell!

Figure D



## B. No wires, no wedge

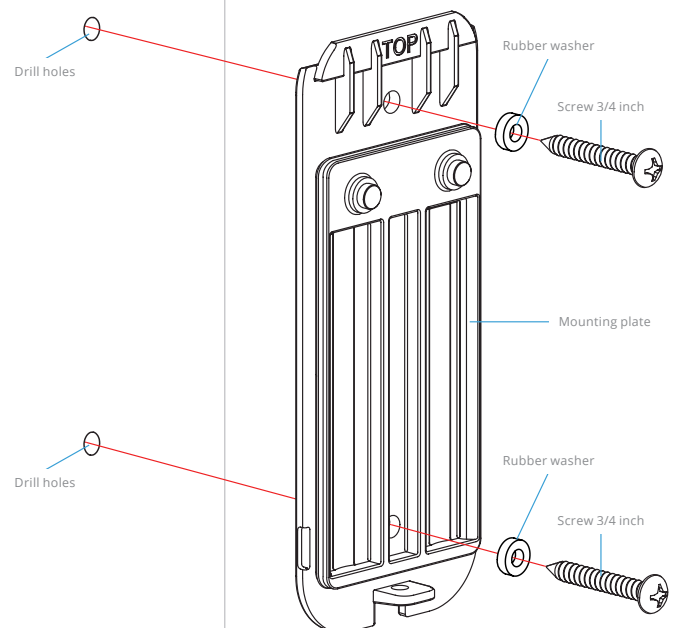


1. Use the provided mounting template to either mark drill points or drill pilot holes for designated "mounting plate" holes. You can find your removable mounting template on page 35.
2. Remove mounting plate from Blink Video Doorbell unit if you haven't already.
3. Screw mounting plate to wall using provided mounting screws.

Continue on to the next page.

For even more information, please visit our support site at: [support.blinkforhome.com](https://support.blinkforhome.com)

Figure A

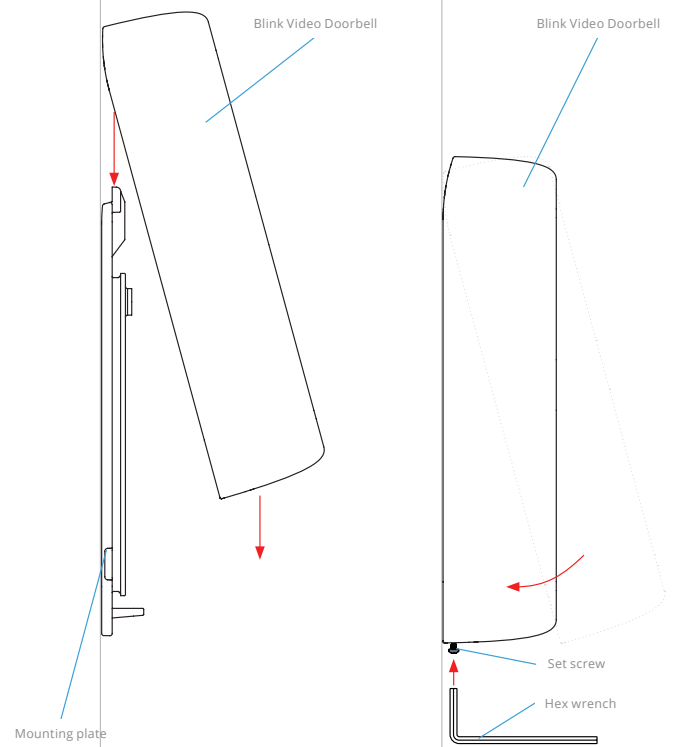




4. Attach Blink Video Doorbell unit to mounting plate and secure with screw using provided hex wrench.
5. Turn power back on (if applicable).
6. Test Blink Video Doorbell.

Congratulations, you have installed your doorbell!

Figure B



## C. No Wires, Wedge



1. Use the provided mounting template to either mark drill points or drill pilot holes for designated "wedge" holes. You can find your removable mounting template on page 35.

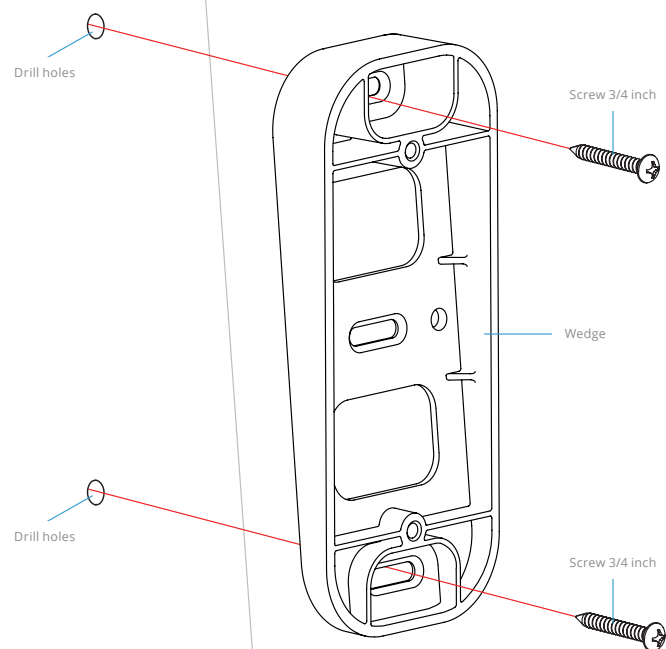
**Note:** Vertical wedge installation is the same as horizontal wedge installation.

2. Secure wedge to wall using provided mounting screws.

Continue on to the next page.

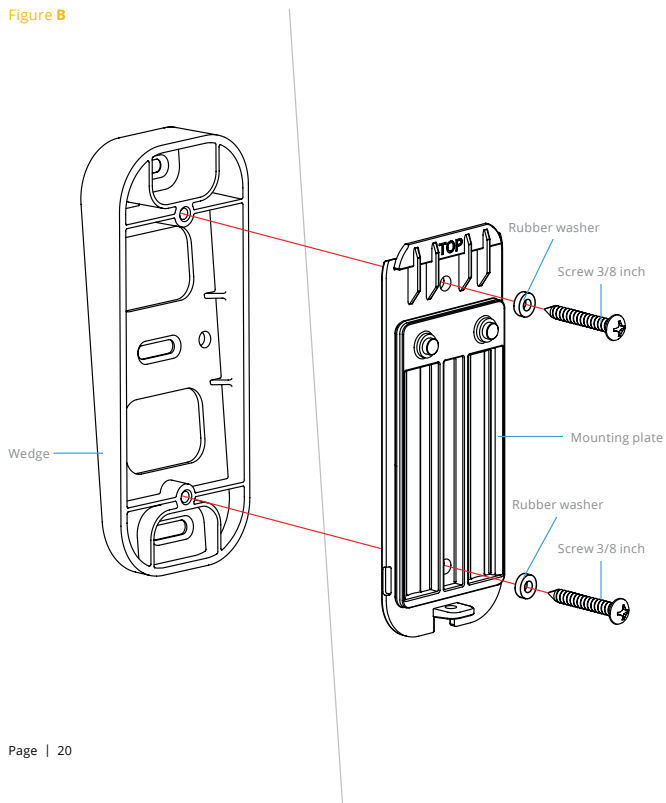
For even more information, please visit our support site at: [support.blinkforhome.com](http://support.blinkforhome.com)

Figure A



3. Remove mounting plate from Blink Video Doorbell unit if you haven't already.
4. Line up holes on mounting plate with small holes on wedge and secure with provided mounting screws.

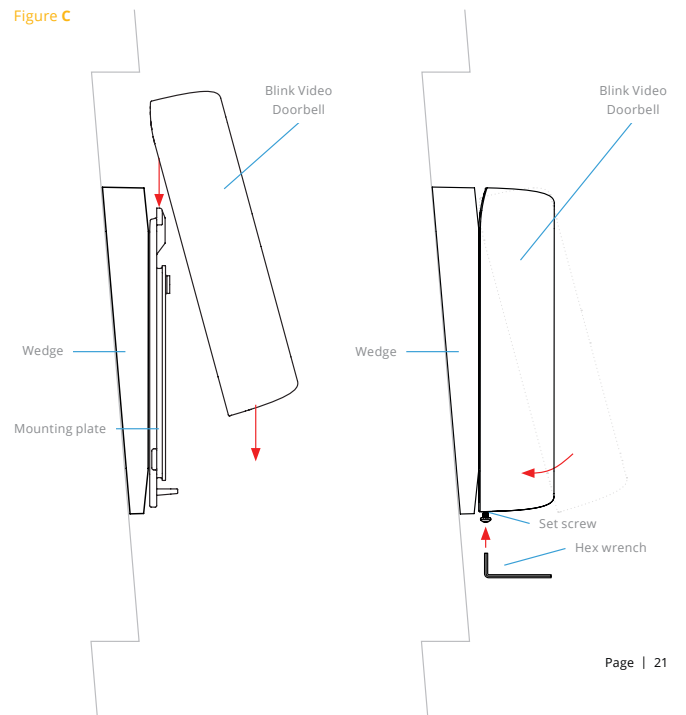
Figure B



5. Attach Blink Video Doorbell unit to mounting plate and secure with screw using provided hex wrench.
6. Turn power back on (if applicable).
7. Test Blink Video Doorbell.

Congratulations, you have installed your doorbell!

Figure C



## D. Wires and wedge



1. Position mounting template so that wires fit through designated "wiring" hole on template. You can find your removable mounting template on page 35.

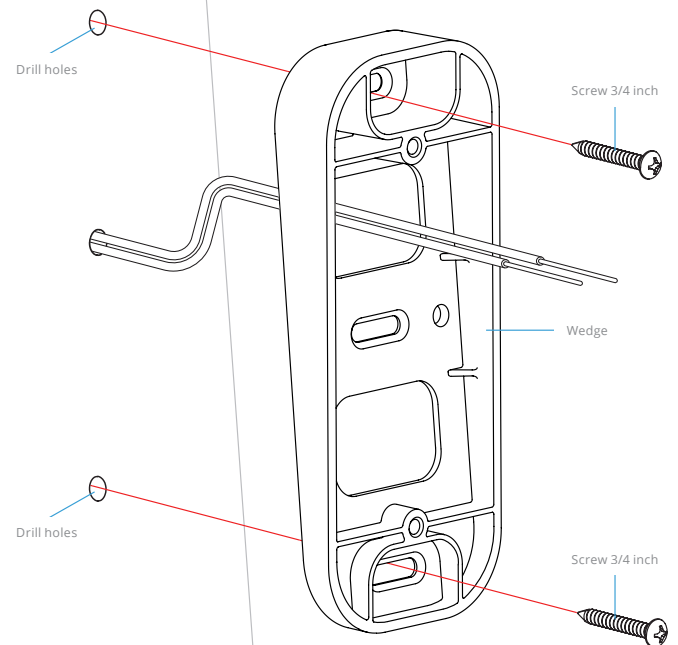
Note: Vertical wedge installation is the same as horizontal wedge installation.

2. Use the provided mounting template to either mark drill points or drill pilot holes for designated "wedge" holes.
3. Pull wires through hole of wedge.
4. Secure wedge to wall using provided mounting screws.

Continue on to the next page.

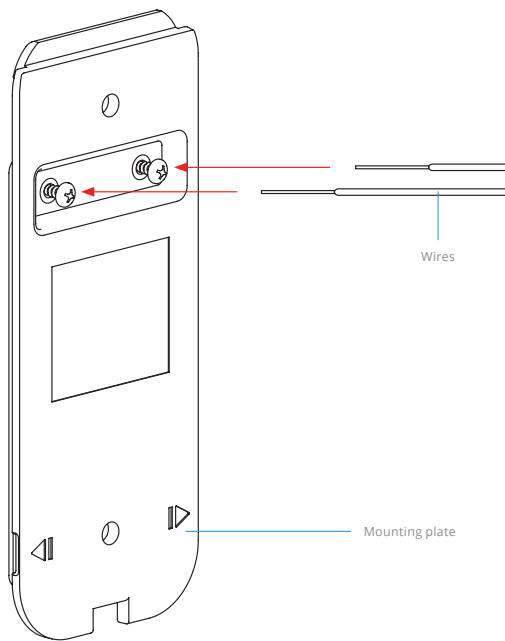
For even more information, please visit our support site at: [support.blinkforhome.com](http://support.blinkforhome.com)

Figure A



5. Remove mounting plate from Blink Video Doorbell unit if you haven't already.
6. Loosen wire contact screws from mounting plate to allow space to wrap wiring.

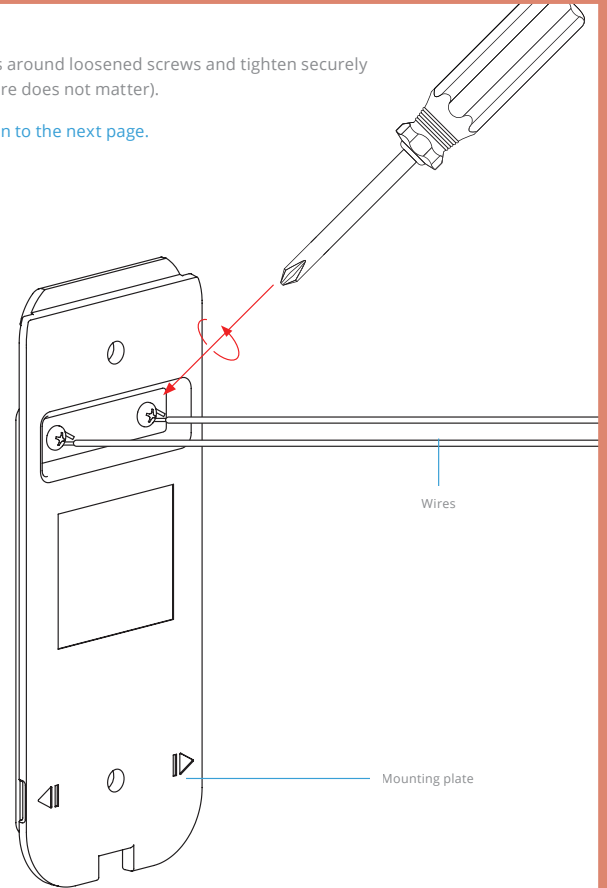
Figure B



7. Wrap wires around loosened screws and tighten securely (color of wire does not matter).

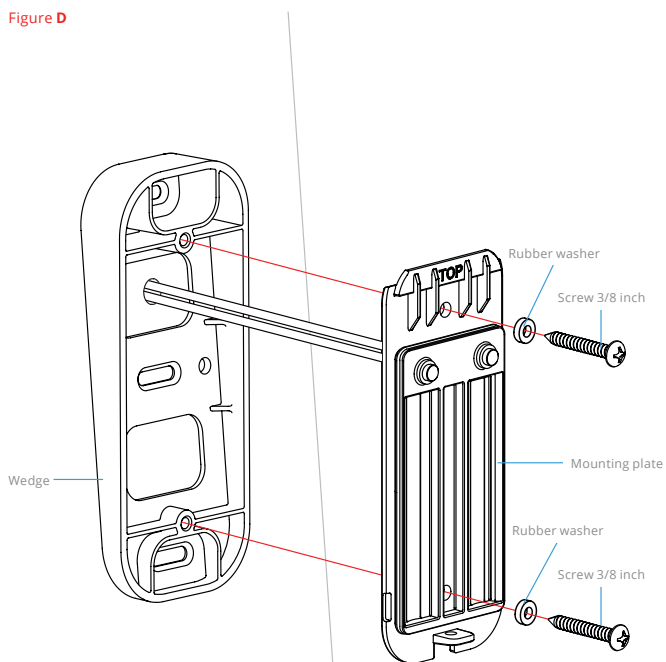
Continue on to the next page.

Figure C



8. Line up holes on mounting plate with small holes on wedge and secure with provided mounting screws.

Figure D



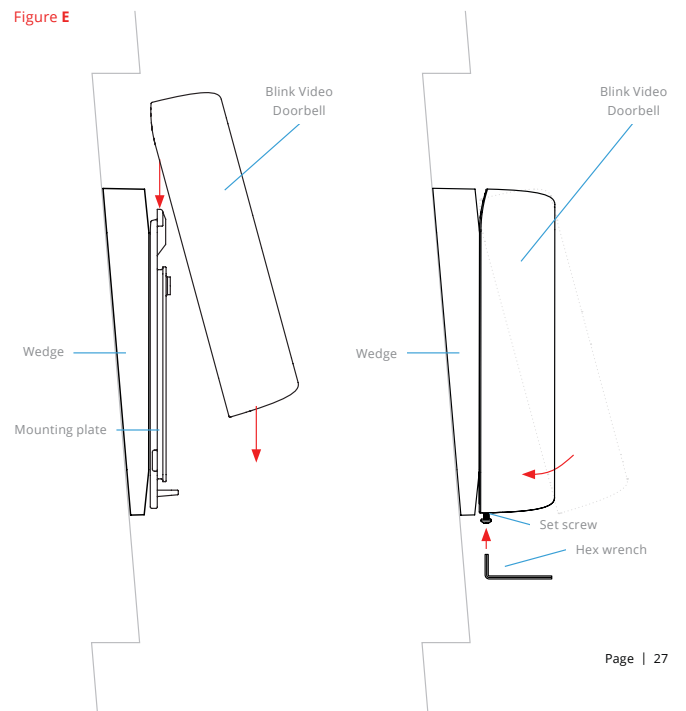
9. Attach Blink Video Doorbell unit to mounting plate and secure with screw using provided hex wrench.

10. Turn power back on.

11. Test Blink Video Doorbell and check that your house chime works.

Congratulations, you have installed your doorbell!

Figure E



## If you are experiencing trouble

Or need help with your Blink Video Doorbell or other Blink products, please visit [support.blinkforhome.com](https://support.blinkforhome.com) for systems instructions and videos, troubleshooting information, and links to contact us directly for support. You can also visit our Blink Community at [www.community.blinkforhome.com](https://www.community.blinkforhome.com) to interact with other Blink users and share your videos clips.



## Important Safeguards



FAILURE TO FOLLOW THESE SAFETY INSTRUCTIONS COULD RESULT IN FIRE, ELECTRIC SHOCK, OR OTHER INJURY OR DAMAGE.

When using electrical appliances, to reduce the risk of fire, electric shock, and/or injury to persons basic safety procedures should always be followed, including the following:

1. Read all instructions carefully.
2. To protect against electric shock, do not place cord, plug or appliance in water or other liquids.
3. For installations where a doorbell is already in place, always remember to turn off your doorbell power source BEFORE removing the existing doorbell or installing the Blink Video Doorbell so as to avoid fire, electric shock, or other injury or damage. You should turn off power at the circuit breaker or fuse and test that power is off before wiring. More than one disconnect switch may be required to de-energize the equipment before servicing. Call an electrician in your area if you need help turning off your power or are uncomfortable installing electrical devices.
4. This device and its features are not intended for use by children under the age of 13. Adult supervision is recommended if used by children over the age of 13.
5. Do not use attachments that are not recommended by the manufacturer; they may cause fire, electric shock or injury.
6. Do not use Sync Module outdoors.
7. Do not use product for commercial purposes.
8. Do not use product for other than intended use.

### BATTERY WARNING STATEMENT:

- Keep batteries out of the reach of children.
- Insert the batteries in the proper direction as indicated by positive (+) and negative (-) markings in battery compartment.
- It is highly recommended to use Lithium batteries with this product. Do not mix old and new batteries or batteries of different types (for example, Lithium and alkaline batteries).
- Always remove old, weak, or worn-out batteries promptly and recycle or dispose of them in accordance with Local and national disposal regulations.
- If a battery leaks, remove all batteries and recycle or dispose of them in accordance with battery manufacturer's recommendations for cleanup. Clean battery compartment with a damp paper towel or follow battery manufacturer's recommendations. If fluid from the battery comes into contact with skin or clothes, flush with water immediately.

### Lithium Battery Warning



The Lithium batteries accompanying this device cannot be recharged. Do not open, disassemble, bend, deform, puncture or shred the battery. Do not modify, attempt to insert foreign objects into the battery or immerse or expose to water or other liquids. Do not expose the battery to fire, explosion or other hazard.

Promptly dispose of used batteries in accordance with applicable laws and regulations. If dropped and you suspect damage, take steps to prevent any ingestion or direct contact of fluids and any other materials from the battery with skin or clothes.



### Important product information

Legal notices and other important information regarding your Blink device can be found in the Blink Home Monitor App in Menu > About Blink.

### Blink terms & policies

BEFORE USING THIS BLINK DEVICE, PLEASE READ THE TERMS LOCATED IN YOUR BLINK HOME MONITOR APP IN MENU > ABOUT BLINK AND ALL RULES AND POLICIES FOR THE BLINK DEVICE AND SERVICES RELATED TO THE DEVICE (INCLUDING, BUT NOT LIMITED TO, THE BLINK PRIVACY NOTICE LOCATED AT [HTTPS://BLINKFORHOME.COM/LEGAL](https://blinkforhome.com/legal) AND ANY RULES OR USEAGE PROVISIONS ACCESSIBLE THROUGH THE BLINK WEBSITE OR APP (COLLECTIVELY, THE "AGREEMENTS"). BY USING THIS BLINK DEVICE, YOU AGREE TO BE BOUND BY THE AGREEMENTS.

Your Blink device is covered by a Limited Warranty. Details are available at <https://blinkforhome.com/legal>, or view details by going to the "About Blink" section in your Blink Home Monitor App.

### FCC

This device complies with part 15 of the FCC Rules. Operation is subject to the following two conditions: (1) This device may not cause harmful interference, and (2) this device must accept any interference received, including interference that may cause undesired operation.

### Note:

This equipment has been tested and found to comply with the limits for a Class B digital device, pursuant to part 15 of the FCC Rules. These limits are designed to provide reasonable protection against harmful interference in a residential installation. This equipment generates, uses and can radiate radio frequency energy and, if not installed and used in accordance with the instructions, may cause harmful interference to radio communications. However, there is no guarantee that interference will not occur in a particular installation. If this equipment does cause harmful interference to radio or television reception, which can be determined by turning the equipment off and on, the user is encouraged to try to correct the interference by one or more of the following measures:

- Reorient or relocate the receiving antenna.
- Increase the separation between the equipment and receiver.
- Connect the equipment into an outlet on a circuit different from that to which the receiver is connected.
- Consult the dealer or an experienced radio/TV technician for help.

Changes or modifications to a Product by the user that are not expressly approved by the party responsible for compliance could make the Product no longer comply with the FCC Rules.

The Blink Video Doorbell meets the FCC Radio Frequency Emission Guidelines and is certified with the FCC. Information on the Blink Video Doorbell is on file with the FCC and can be found by inputting the device's FCC ID into the FCC ID Search form available at <https://www.fcc.gov/oet/ea/fccid>.

**Contact information:**

For communications concerning the Agreements, you may contact Blink by writing to Immedia Semiconductor, LLC, 100 Burt Rd, Suite 100, Andover MA 01810, USA.

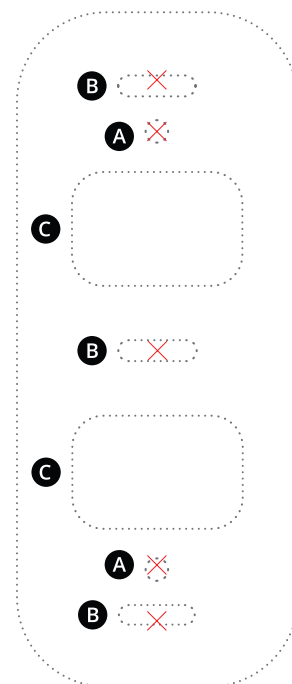
Copyright Immedia Semiconductor 2018. Blink and all related logos and motion marks are trademarks of Amazon.com, Inc. or its affiliates.  
Brochure Printed in China.



**Mounting Template**

- A** Mounting plate holes
- B** Wedge holes\*
- C** Wiring holes

✕ = Drill here



\*Select two wedge holes to drill depending on placement.

