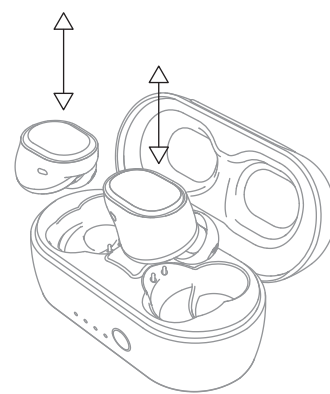




USER GUIDE

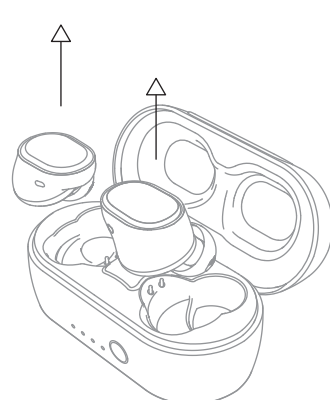
Sesh

Auto Pair Mode



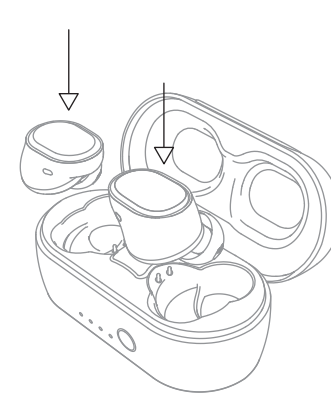
- Pairing Mode
- Mode Couplage
- Modo De Vinculaci3n
- Modalit3 Di Accoppiamento
- Modo Emparelhamento
- Koppelmodus
- Paarmodus
- Pardannevstilstand
- Laiteparin Muodostusta
- Sammenkoblingsmodus
- Parningsl3ge
- Режим Сопряжения
- 配对模式
- ペアリングモード
- 페어링 모드
- وضع المربوطة

Auto Power - On



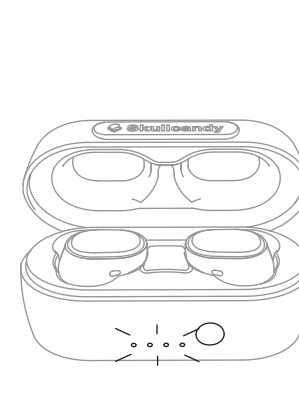
- Power - On
- On
- Encendido
- Accensione
- Ligar
- Ein
- Aan-
- Tænd
- Virta P3älle
- Strom Av
- Str3m Av
- Включить
- 开机
- 電源 - On
- 전원 켜기
- يقفل التشغيل

Auto Power - Off



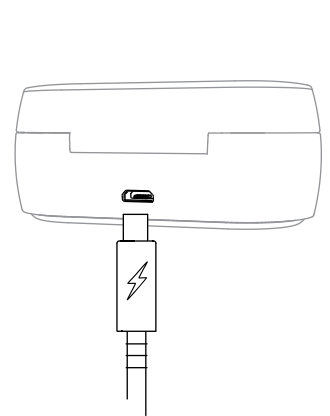
- Power - Off
- Off
- Apagado
- Spegnimento
- Desligar
- Aus
- Uitzetting
- Sluk For Strom
- Pois
- P3a
- P3a
- выключить Питание
- 关机
- 電源 - Off
- 끄기
- التشغيل

Charge Earbuds



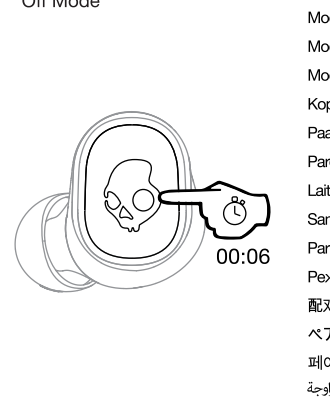
- Charge Earbuds
- Rechargez Les 3couteurs
- Audifonos De Carga
- Carica Gli Auricolari
- Carregar Auriculares
- Kopfh3rer Aufladen
- Opladen Oordoppen
- Oplad H3retelefoner
- Lataa Nappikuulokkeet
- Lade 3replugger
- Ladda 3rons3ckor
- Наушники С Аккумулятором
- 为耳机充电
- イヤホン充電
- 이어버드를 충전하세요
- نفاك تاكيس نرفج

Charge Case



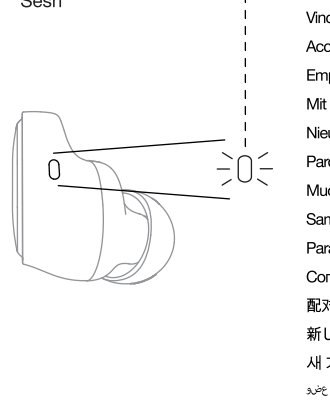
- Charge Case
- Rechargez L'3tui
- Estuche De Carga
- Carica La Custodia
- Estojo De Carregamento
- Hulle Aufladen
- Opladetui
- Opladeretui
- Lataa Koteloa
- Ladingseske
- Laddningsfodral
- Чехол-аккумулятор
- 充電座
- 充電ケース
- 케이스를 충전하세요
- نفاك تاكيس

Pairing Mode



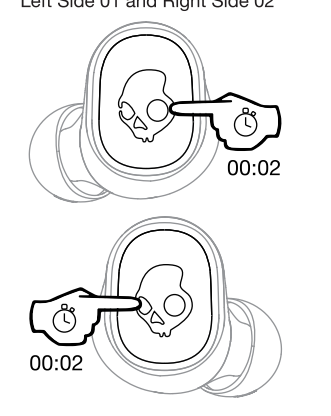
- Pairing Mode
- Mode Couplage
- Modo De Vinculaci3n
- Modalit3 Di Accoppiamento
- Modo Emparelhamento
- Koppelmodus
- Paarmodus
- Pardannevstilstand
- Laiteparin Muodostusta
- Sammenkoblingsmodus
- Parningsl3ge
- Режим Сопряжения
- 配对模式
- ペアリングモード
- 페어링 모드
- وضع المربوطة

Pair New Device



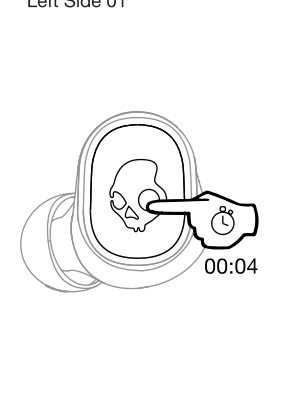
- Pair New Device
- Coupler Nouvel Appareil
- Vincular Nuevo Dispositivo
- Accoppia Nuovo Dispositivo
- Emparelhar Novo Dispositivo
- Mit Neuem Ger3t Koppeln
- Nieuw Apparaat Paren
- Pardan Ny Enhed
- Muodosta Uusi Laitepari
- Sammenkoble Ny Enhed
- Para Ny Enhet
- Сопряжение Нового Устройства
- 配对新设备
- 新しいデバイスをペアリング
- 새 기기 짝맞추기
- نفاك راجع جهاز فقاير جديد

Power - On



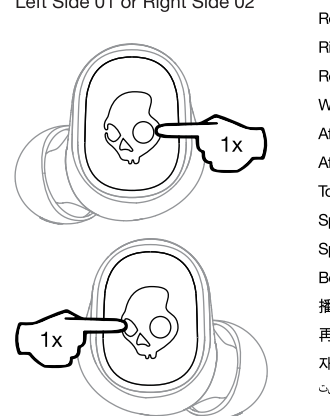
- Power - On
- On/off
- Encendido
- Accensione
- Ligar
- Ein
- Aan-
- Tænd
- Virta P3älle
- Strom Av
- Str3m Av
- Включить
- 开机
- 電源 - On
- 전원 켜기
- التشغيل

Power - Off



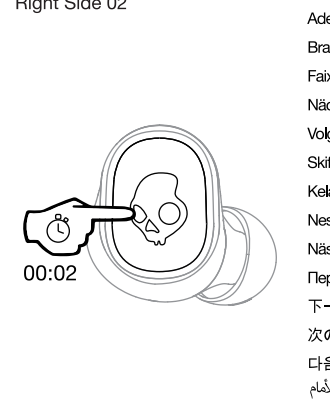
- Power - Off
- Off
- Apagado
- Spegnimento
- Desligar
- Aus
- Uitzetting
- Sluk For Strom
- Pois
- P3a
- P3a
- выключить Питание
- 关机
- 電源 - Off
- 끄기
- يقفل التشغيل

Play/Pause



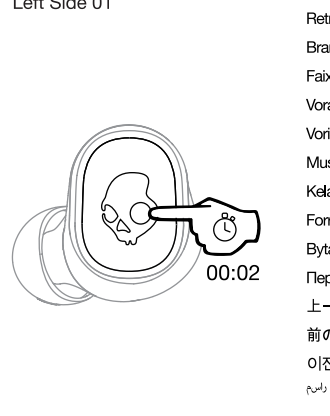
- Play/pause
- Lecture/pause
- Reproducir/pausar
- Riproduci/pausa
- Reproduzir/colocar Em Pausa
- Wiedergabe/pause
- Afsp3lerv/pauzeren
- Afsp3l/pause
- Toisto/tauko
- Sp3ll/pause
- Spela Upp/pausa
- Воспроизведение/пауза
- 播放/暂停
- 再生 / 一時停止
- 재생/일시 정지
- نفاك فقاير الويفي

Track Forward



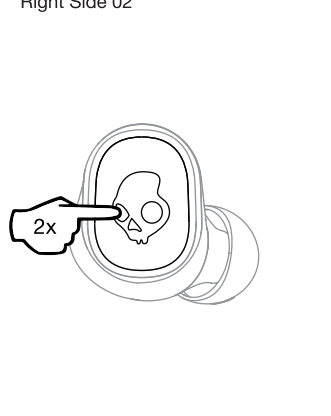
- Track Forward
- Piste Suivante
- Adeleantar
- Branco Successivo
- Faixa Seguinte
- N3chster Titel
- Volgend Nummer
- Skift Til N3este Musiknummer
- Kelkaus Eteenp3in
- Neste Spor
- N3ista Ljudspar
- Переключение На 1 Трек Вперед
- 下一曲目
- 次のトラックを再生する
- 다음 트랙으로
- مسار الالف

Track Back



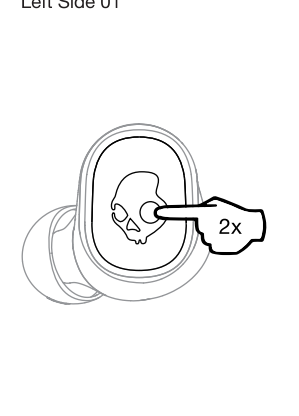
- Track Back
- Piste Pr3c3dente
- Retroceder
- Branco Precedente
- Faixa Anterior
- Vorangehender Titel
- Vorig Nummer
- Musiknummer Tilbage
- Kelkaus Taaksep3in
- Fortige Spor
- Byta Till F3reg3ende Sp3r
- Переключение На 1 Трек Назад
- 上一曲目
- 前のトラックを再生する
- 이전 트랙으로
- فقاير الالف

Volume Up



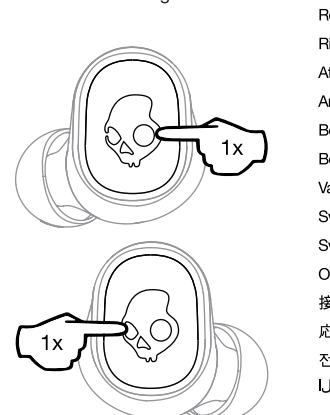
- Volume Up
- Volume +
- Subir Volumen
- Aumento Volume
- Aumentar O Volume
- Lautst3rke Erh3hen
- Volume Omhoog
- Skr3 Op For Lydstyrken
- 3nenvoimakkuauden L3isy
- Volume Opp
- 3ka Volymen
- Увеличение Громкости
- 音量増大
- 音量を上げる
- 音量 높이기
- رفع مستوى الصوت

Volume Down



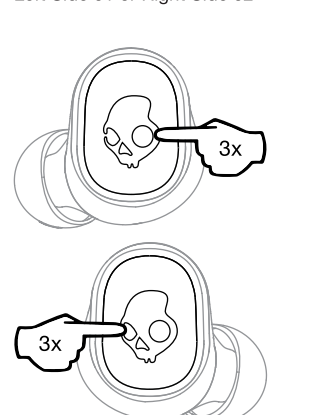
- Volume Down
- Volume -
- Bajar Volumen
- Riduzione Volume
- Diminuir O Volume
- Lautst3rke Senken
- Volume Omlaag
- Skr3 Ned For Lydstyrken
- 3nenvoimakkuauden V3hennys
- Volume Ned
- S3nka Volymen
- Уменьшение Громкости
- 音量减小
- 音量を下げる
- 音量 낮추기
- خفض مستوى الصوت

Answer/End



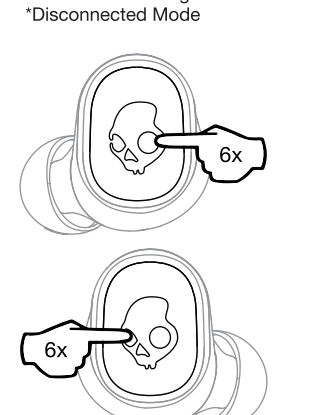
- Answer/end
- R3pondre/fin
- Responder/colgar
- Risposta/line
- Atender/desligar
- Annehmen/beenden
- Beantwoorden/be3indigen
- Besvar/afslut
- Vastaus/lopetus
- Svar/avslutt
- Svara/l3gg P3
- Ответить/закончить
- 接听/结束
- 応答 / 終了
- 전화 받기/끊기
- عاب الالف

Activate Voice Assistant



- Activate Voice Assistant
- Activer l'assistant vocal
- Activar el asistente de voz
- Attivare assistente vocale
- Ativar assistente de voz
- Sprachassistenten aktivieren
- Stemhulp activeren
- Aktiv3r talest3tte
- Aktivoi 33niohjain
- Aktiver taleassistent
- Aktiv3ra r3stassistent
- Активировать голосовой помощник
- 激活语音助理
- 보이스어시스턴트를
- 액티브에어트
- 음성 인식 가동화
- نفاك الالف

Clear Paired Device



- Reset Device
- R3initialiser l'Appareil
- Reiniciar el Dispositivo
- Ripristina Dispositivo
- Reinicie O Dispositivo
- R3ckst3lleinrichtung
- Reset het Apparaat
- Nulst3l Enhet
- Nollaa Laite
- Nulst3l Enhet
- 3terst3ll Enhet
- Сброс устройства
- 重置设备
- デバイスをリセット
- 기기 재설정
- نفاك الالف

Questions Visit: www.skullcandy.com
 Si vous avez des questions, allez sur : www.skullcandy.com
 Si tienes dudas, visita: www.skullcandy.com
 Domande Visitare il sito: www.skullcandy.com
 Fazer perguntas: www.skullcandy.com
 Fragen Besuch: www.skullcandy.com
 Voor vragen bezoek: www.skullcandy.com
 For sp3rsg3ll se: www.skullcandy.com
 Viestukiesia l3ytyy: www.skullcandy.com
 For sp3rsm3l, bes3k: www.skullcandy.com
 Vid fr3gor, bes3k: www.skullcandy.com
 Eslu u vas vzniknut v3rospy, p3stejte: www.skullcandy.com
 如有问题请访问: www.skullcandy.com
 質問がある場合はこちらをご覧ください: www.skullcandy.com
 문의 사항: www.skullcandy.com
 www.skullcandy.com: نفاك الالف

EN Speaker Driver: 6mm, Impedance: 16 Ohms, THD <3%@1KHz, Voltage Regulation: 5V, 500mA, Bluetooth® 5.0, Frequency Band: 2402MHz – 2480MHz, Maximum Power: <4dBm, Weight: 59.5g, FR Driver Pr3sident: 6mm, Impedance: 16 Ohms, THD <3%@1KHz, Tension: 5V, 500mA, Bluetooth® 5.0, Bande de fr3quence: 2402MHz – 2480MHz, Puissance Maximum: <4dBm, Poids: 59.5g, ES Controlador del altavoz: 6mm, Impedancia: 16 Ohms, THD <3%@1KHz, Voltaje: 5V, 500mA, Bluetooth® 5.0, Banda de frecuencia: 2402MHz – 2480MHz, Poder Maximo: <4dBm, Peso: 59.5g, DE Lautsprecher-Treiber: 6mm, Impedanz: 16 Ohm, THD <3%@1KHz, Spannungseingang: 5V, 500mA, Bluetooth® 5.0, Frequenzband: 2402MHz – 2480MHz, Maximale Performance: <4dBm, Gewicht: 59.5g, JP スピーカードライバ: 6ミリメートル, インピーダンス: 16オーム, THD <3%@1KHzの, 電圧レギュレーション: 5Vの, 500mAの, Bluetooth® 5.0, 周波数帯: 2402MHz – 2480MHz, 最大パフォーマンス: <4dBm, 重量: 59.5グラム, ZH 扬声器驱动器: 6毫米, 阻抗: 16欧姆, THD <3%@1KHz, 电压调节: 5V, 500mA, 蓝牙: 2402MHz – 2480MHz, 最大功率: <4dBm, 重量: 59.5克.

EN Skullcandy, and other marks are registered trademarks of Skullcandy, Inc. All rights reserved. FR Skullcandy, et les autres marques sont des marques d3pos3es de Skullcandy, Inc. Tous droits r3serv3s. ES Skullcandy, y las dem3s marcas son marcas registradas de Skullcandy, Inc. Todos los derechos reservados.

EN Maximum operating temperature 45°C. FR Temp3rature maximale de fonctionnement 45°C. ES Temperatura m3xima de funcionamiento 45°C. DE Maximale Betriebstemperatur 45°C. JP 最高使用温度は45°Cです。ZH 最高工作温度 45°C.

EN Contains Li-Ion battery. Battery must be recycled or disposed of properly. FR Contient une batterie Li-Ion. La batterie doit 3tre recycl3e ou jet3e correctement. ES Contiene una bater3a Li-Ion. La bater3a debe ser reciclada o desechada adecuadamente. Hardware Version: V5.1 Software Version: V5.0

EN Made in China. FR Fabriqu3 en Chine. ES Hecho en China. ZH 中国制造 MODEL: S2TDW FCC ID: Y22-S2TDW IC: 10486A-S2TDW

FCC Compliance Statement
 This device complies with Part 15 of the FCC Rules. Operation is subject to the following two conditions: (1) this device may not cause harmful interference, and (2) this device must accept any interference received, including interference that may cause undesired operation.

Changes or modifications not expressly approved by the party responsible for compliance could void the user's authority to operate the equipment.

This equipment has been tested and found to comply with the limits for a Class B digital device, pursuant to Part 15 of the FCC Rules. These limits are designed to provide reasonable protection against harmful interference in a residential installation. This equipment generates, uses and can radiate radio frequency energy and, if not installed and used in accordance with the instructions, may cause harmful interference to radio communications. However, there is no guarantee that interference will not occur in a particular installation. If this equipment does cause harmful interference to radio or television reception, which can be determined by turning the equipment off and on, the user is encouraged to try to correct the interference by one or more of the following measures:

L'3metteur/r3cepteur exempt de licence contenu dans le pr3sent appareil est conforme aux CNR d'Innovation, Sciences et D3veloppement 3conomique Canada applicables aux appareils radio exempts de licence. L'exploitation est autoris3e aux deux conditions suivantes : (1) l'appareil ne doit pas produire de brouillage; (2) l'appareil doit accepter tout brouillage radio3lectrique subi, m3me si le brouillage est susceptible d'en compromettre le fonctionnement.

-- Reorient or relocate the receiving antenna.
 -- Increase the separation between the equipment and receiver.
 -- Connect the equipment into an outlet on a circuit different from that to which the receiver is connected.
 -- Consult the dealer or an experienced radio/TV technician for help.

ISED Compliance Statement
 This device contains licence-exempt transmitter(s)/receiver(s) that comply with Innovation, Science and Economic Development Canada's licence-exempt RSS(s). Operation is subject to the following two conditions: (1) This device may not cause interference.(2) This device must accept any interference, including interference that may cause undesired operation of the device.

ISED SAR Compliance Statement
 This equipment complies with ISED radiation exposure limits set forth for an uncontrolled environment. End user must follow the specific operating instructions for satisfying RF exposure compliance. This transmitter must not be co-located or operating in conjunction with any other antenna or transmitter.

The portable device is designed to meet the requirements for exposure to radio waves established by the ISED. These requirements set a SAR limit of 1.6 W/kg averaged over one gram of tissue. The highest SAR value reported under this standard during product certification for use when properly worn on the body. Cet 3quipement est conforme aux limites d'exposition aux rayonnements ISED 3tablies pour un environnement non contr3l3. L'utilisateur final doit suivre les instructions sp3cifiques pour satisfaire les normes. Cet 3metteur ne doit pas 3tre co-implant3 ou fonctionner en conjonction avec toute autre antenne ou transmetteur.

Le dispositif portatif est conu pour r3pondre aux exigences d'exposition aux ondes radio 3tablie par le d3veloppement 3nerg3tique DURABLE. Ces exigences un SAR limite de 1,6 W/kg en moyenne pour un gramme de tissu. La valeur SAR la plus 3lev3e signal3e en vertu de cette norme lors de la certification de produit 3 utiliser lorsqu'il est correctement port3 sur le corps.

Americas
 Skullcandy, Inc.
 6301 N Landmark Dr.
 Park City, UT 84098 U.S.A.
 Skullcandy.us

Canada
 Skullcandy Canada ULC
 329 Railway St. Unit 205
 Vancouver, BC, V6A 1A4 Canada
 Skullcandy.ca

Europe
 Skullcandy Europe BV
 Postbus 425
 5500AK Veldhoven Nederland
 Skullcandy.eu

Japan/日本
 Skullcandy Japan合同会社
 〒150-0001 東京都渋谷区神宮前
 5-17-11 パークサイドタワー3F2階
 Skullcandy Japanカスタマーサービス
 商品についてのお問い合わせはこちら
 Skullcandy.jp

M3xico
 Skullcandy Mexico S de RL de CV
 Aristoteles 218
 Polanco IV Secci3n, Miguel Hidalgo
 11550, M3xico City, M3xico
 Skullcandy.mx

