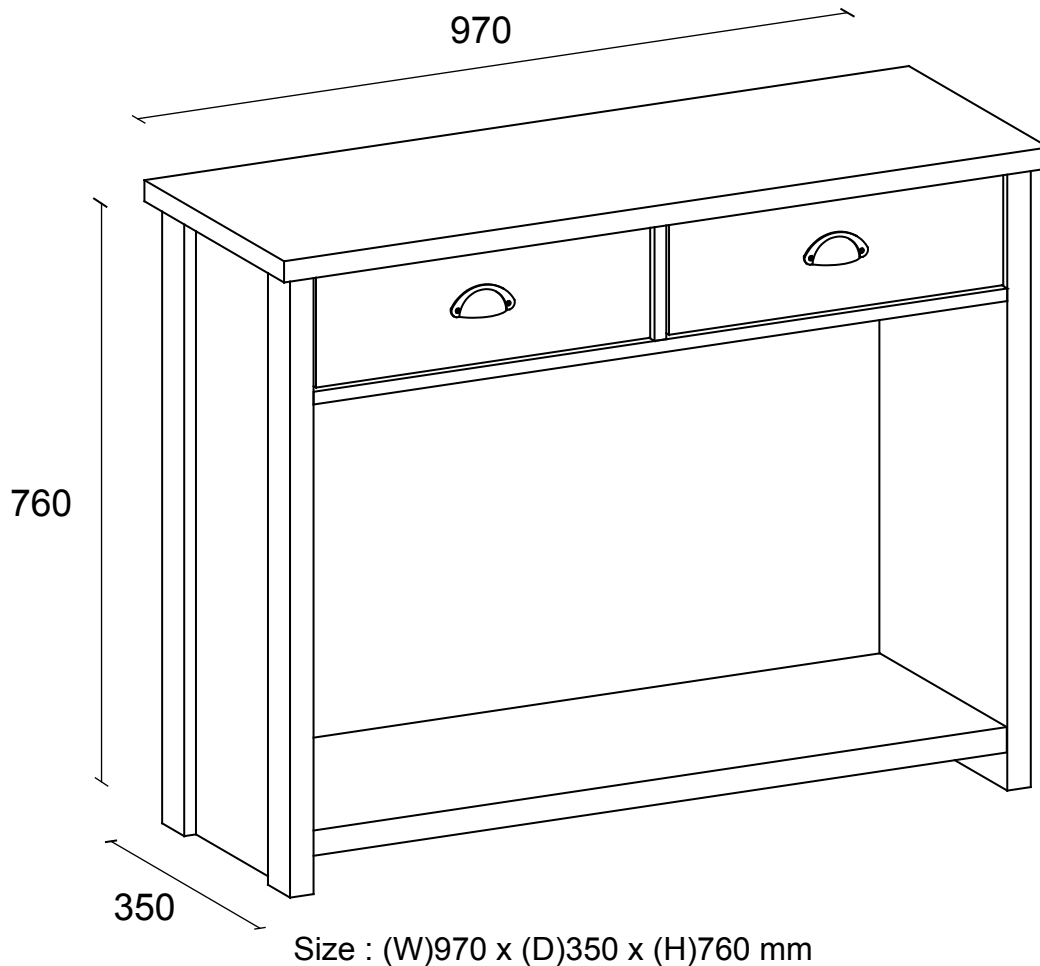


# LANCASTER - CONSOLE HALL TABLE ASSEMBLY INSTRUCTIONS

Thank you for purchasing the **CONSOLE HALL TABLE**.  
Please read the instructions carefully to ensure safe operation of the product.

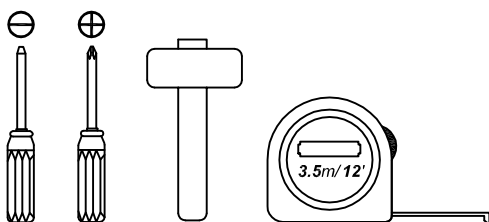


**PLEASE READ** this sheet prior to assembly to familiarise yourself with the various stages of construction.

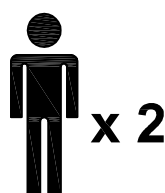
Carefully open the pack supplied and check the contents against the parts and fittings check list. Do not destroy any of the packaging until you are certain that you have all the necessary parts for the assembly.

**CAUTION:** There are small components used in the construction of this unit. These loose items should be kept away from young children whilst assembling your unit to avoid the danger of choking hazards.

## Tools Required



## Person Required



## Approximate Assembly Time



## **IMPORTANT - READ CAREFULLY - RETAIN THESE INSTRUCTIONS FOR FUTURE REFERENCE.**

### **INFORMATION**

- This product is intended for a maximum weight of **15kgs** and drawer load capacity **4kg** each. Do not exceed this weight.
- Due to the size of this product we recommend that it is assembled in the room intended for use.
- When you are ready to start, make sure that you have the right tools, plenty of space and a clean, dry area for assembly
- Unwrap all packaging materials and place the components on top of the carton box or not on a clean floor to prevent it from scratching.
- Check the pack and make sure you have all the parts listed.
- Ensure that this product is fully assembled as illustrated before use.
- Check all screws or bolts are tightened and inspect regularly.
- This product should only be used on firm, level ground.
- Keep small parts out of reach of children.
- Make sure the legs remain in contact with the ground.
- Tools not included.

### **WARNINGS**

- DO NOT use power tools to construct this product.
- DO NOT tighten screw until fully assembled.
- DO NOT over tighten screw or bolts.
- DO NOT use this product if parts are missing, damaged or worn.
- DO NOT stand or sit on this table.
- We recommend the use of the wall strap provided for safety reasons. N.B. Wall fixings are not included -please source suitable fixings for your wall type. If in doubt please consult a qualified tradesperson. **Warning:** Always ensure the area to be drilled is free from hidden electrical wires, water and gas pipes.
- It is essential that this unit is fixed to a wall with the fixings provided.

### **CARE INFORMATION**

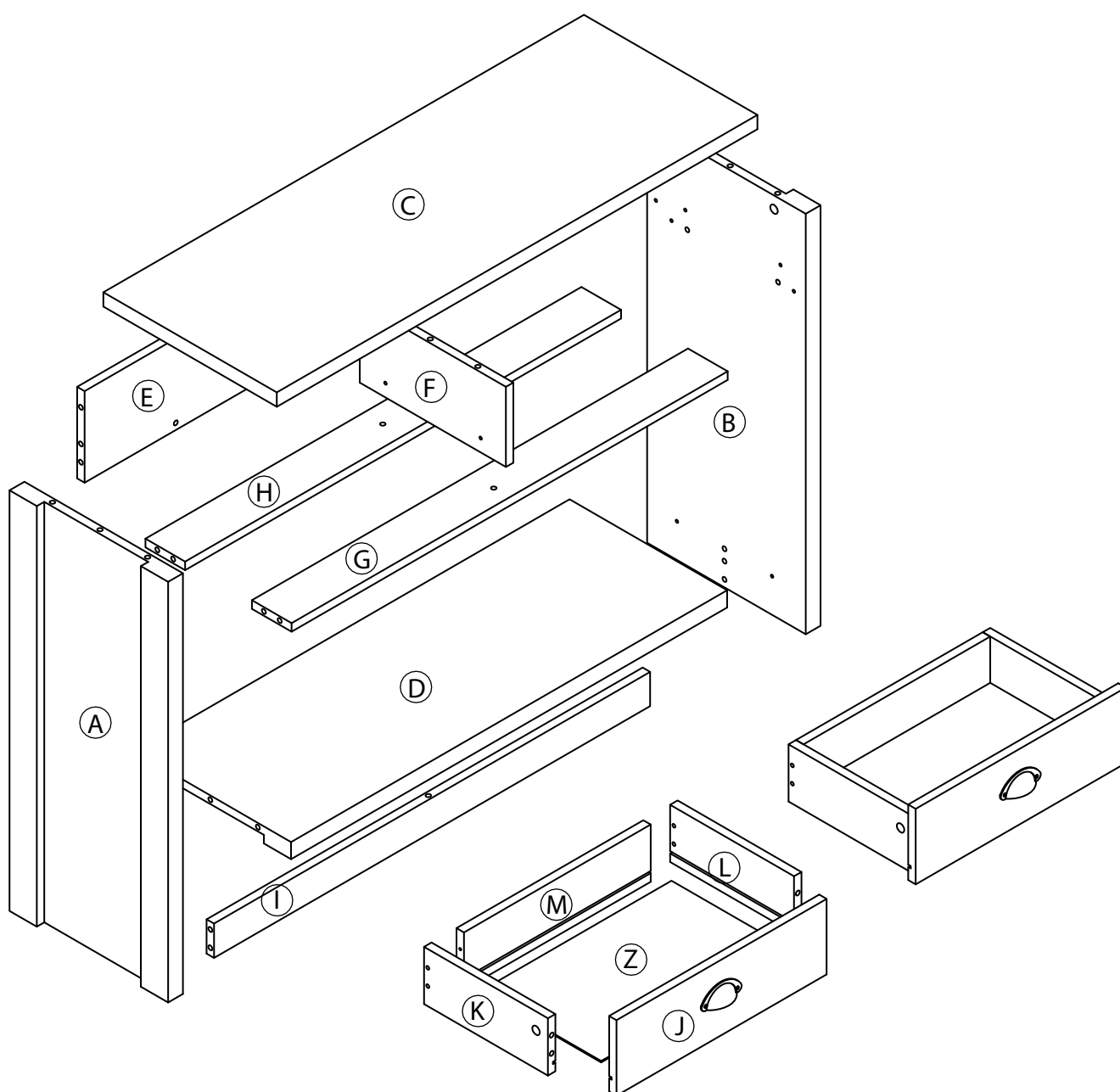
- Never use scourers, abrasives or chemical cleaners.
- To clean wipe with a sponge and soapy water. Do not use solvent based cleaners or detergents as they can bleach or damage the product.

Please check the pack contents before assembling the product. If any components are missing, please contact your retailer. The fittings pack contains small items that should be kept away from small children.

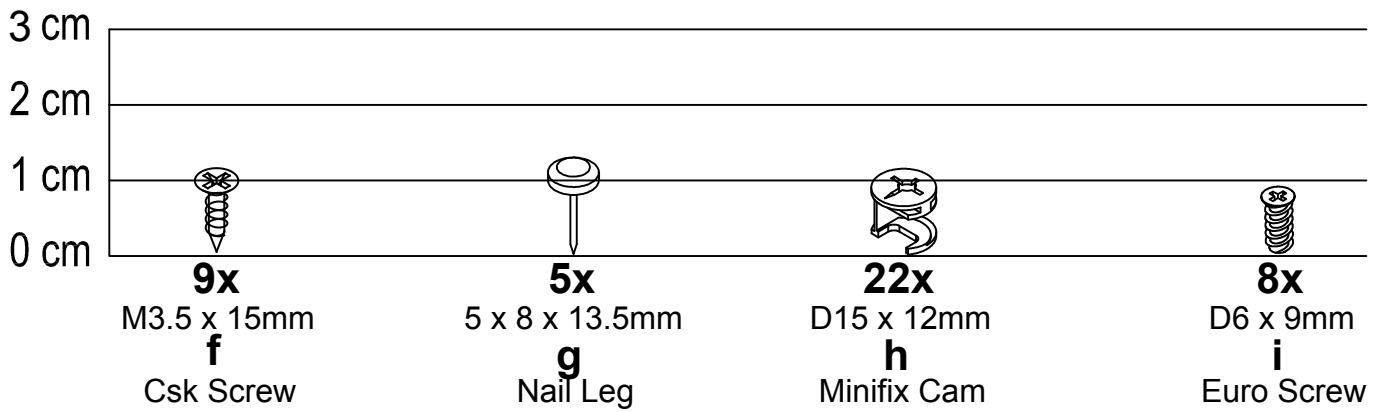
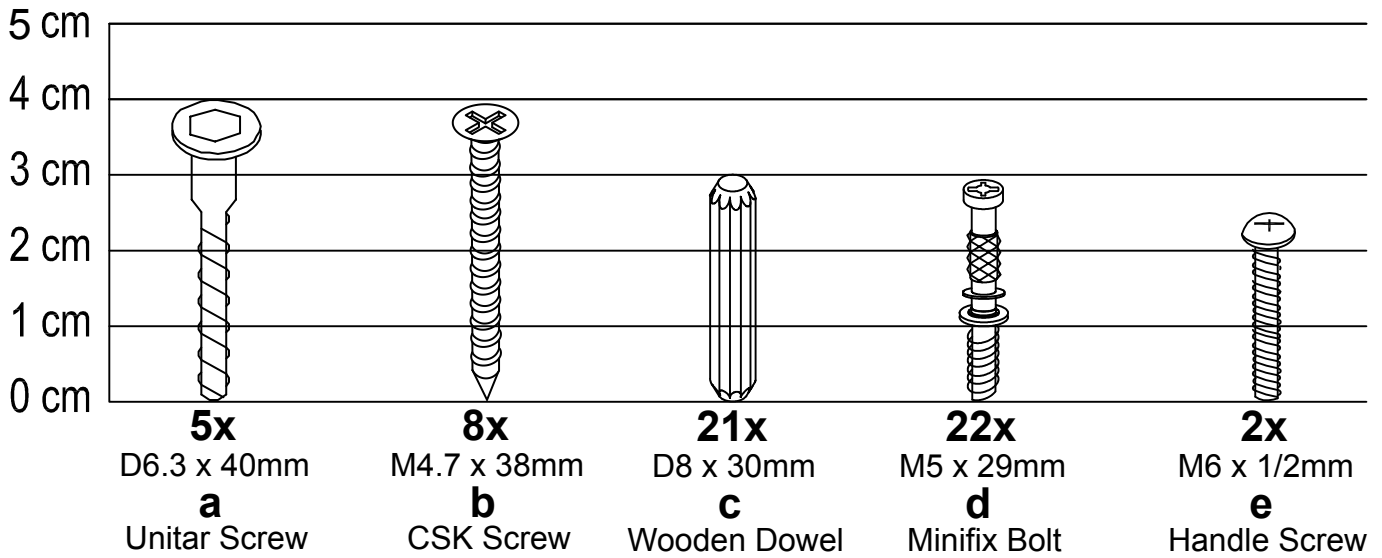
## Parts

CODE	PART NAME	QTY
A	Side Panel (L) (30 x 320 x 735mm)	1
B	Side Panel (R) (30 x 320 x 735mm)	1
C	Top Panel (25 x 350 x 370mm)	1
D	Bottom Panel (30 x 318 x 880mm)	1
E	Back Panel ( 15 x 160 x 880mm)	1
F	Centre Panel ( 15 x 295 x 140mm)	1
G	Front panel Bar (15 x 80 x 880mm)	1

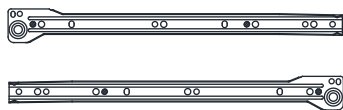
CODE	PART NAME	QTY
H	Rear panel Bar (15 x 80 x 880mm)	1
I	Bottom Panel Bar (15 x 60 x 880mm)	1
J	Drawer Front (15 x 160 x 587mm)	2
K	Drawer Side (L) (15 x 100 x 250mm)	2
L	Drawer Side (r) (15 x 100 x 250mm)	2
M	Drawer Back (15 x 100 x 337mm)	2
Z	Drawer Bottom (3 x 244 x 386mm)	2



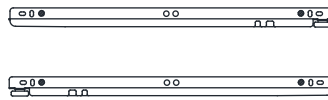
## Fixings (to scale)



## Fixings (not to scale)



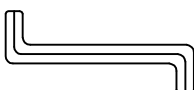
**4x**  
(250 mm)  
**j**  
Drawer Slide



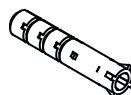
**4x**  
(250 mm)  
**k**  
Drawer Slide



**2x**  
(64hole mm)  
**l**  
Poket Handle



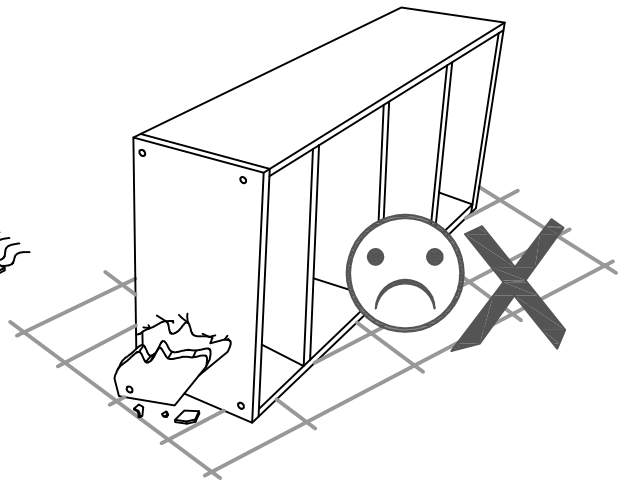
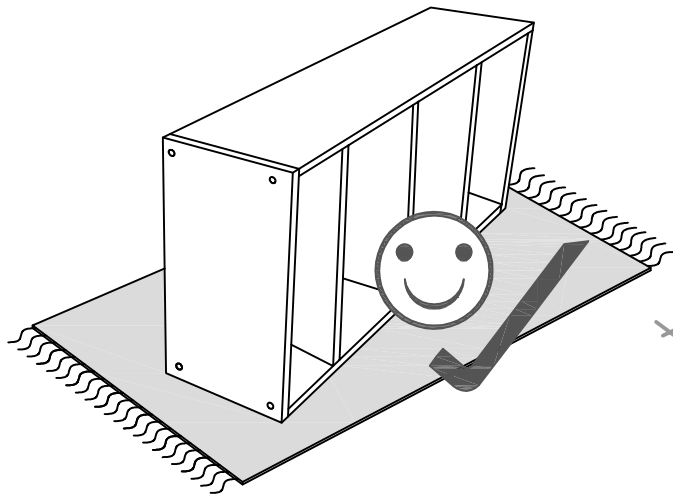
**1x**  
M4  
**m**  
Allen Key



**1x**  
**n**  
Wall Plug

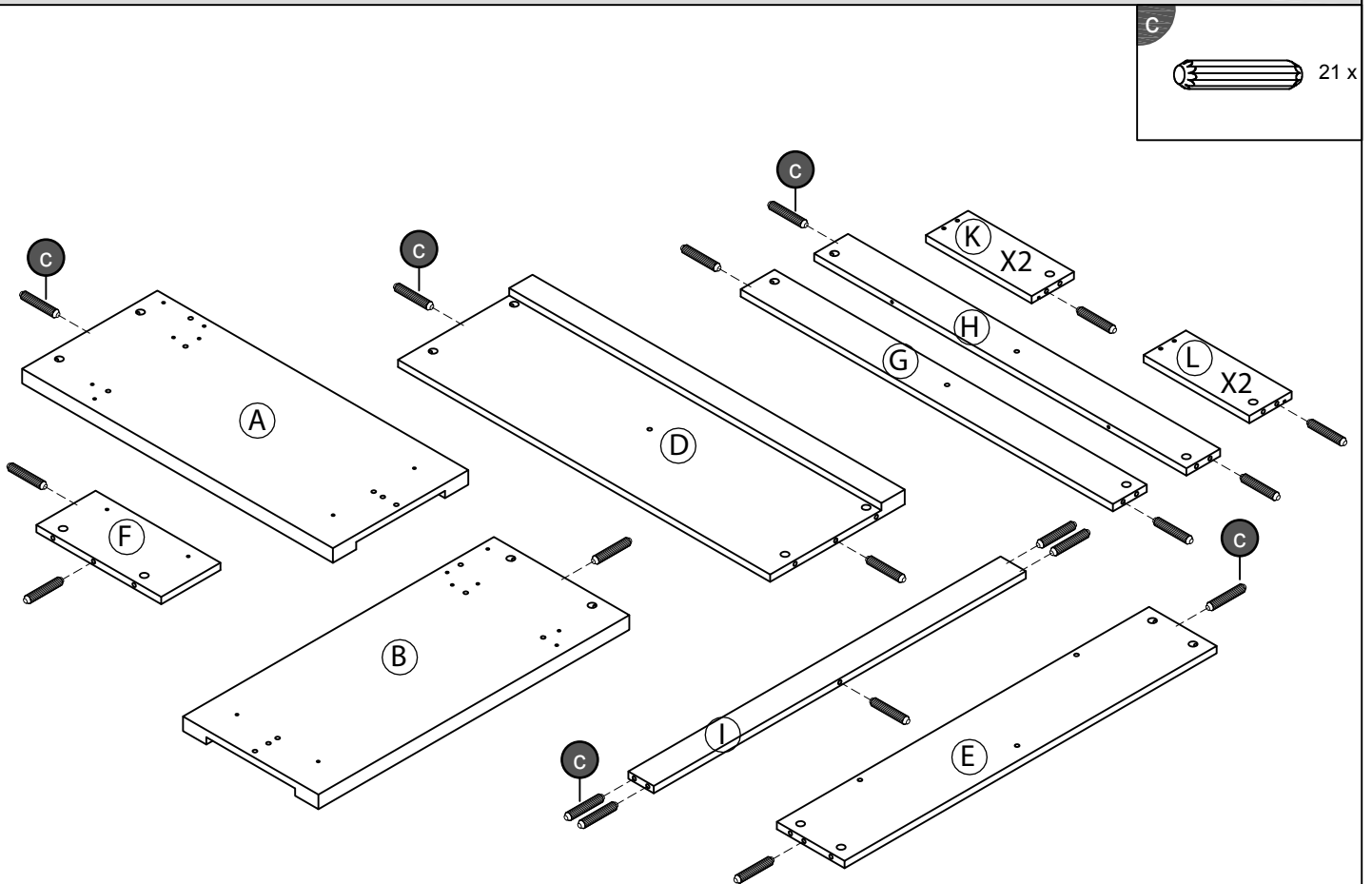


**1x**  
(L-200 mm)  
**o**  
Safety strap



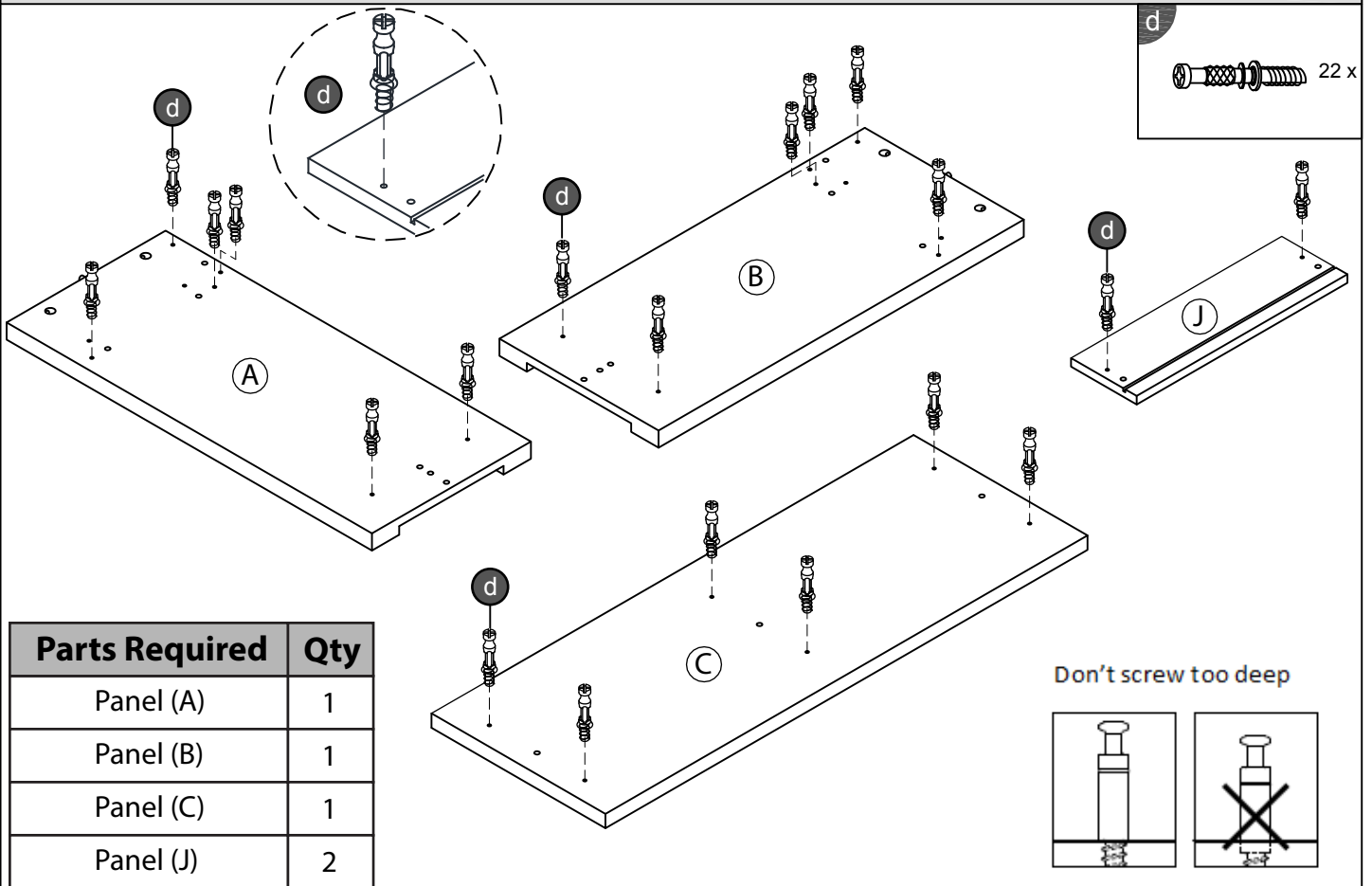
### Layout Parts on Soft Surface

#### STEP 1



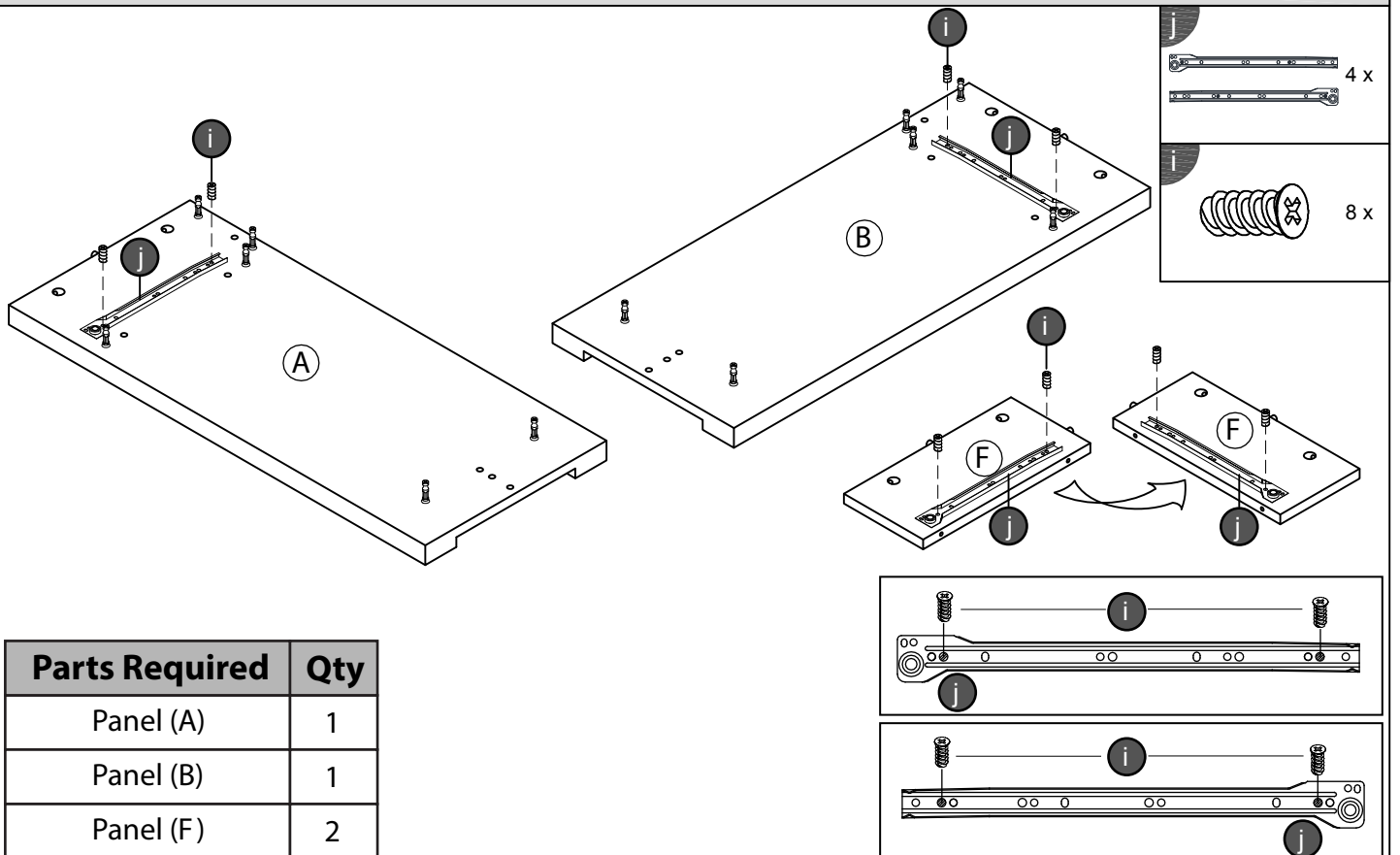
Parts Required	Qty	Parts Required	Qty	Parts Required	Qty
Panel (A)	1	Panel (F)	1	Panel (K)	2
Panel (B)	1	Panel (G)	1	Panel (L)	2
Panel (D)	1	Panel (H)	1		
Panel (E)	1	Panel (I )	1		

## STEP 2



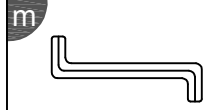
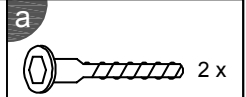
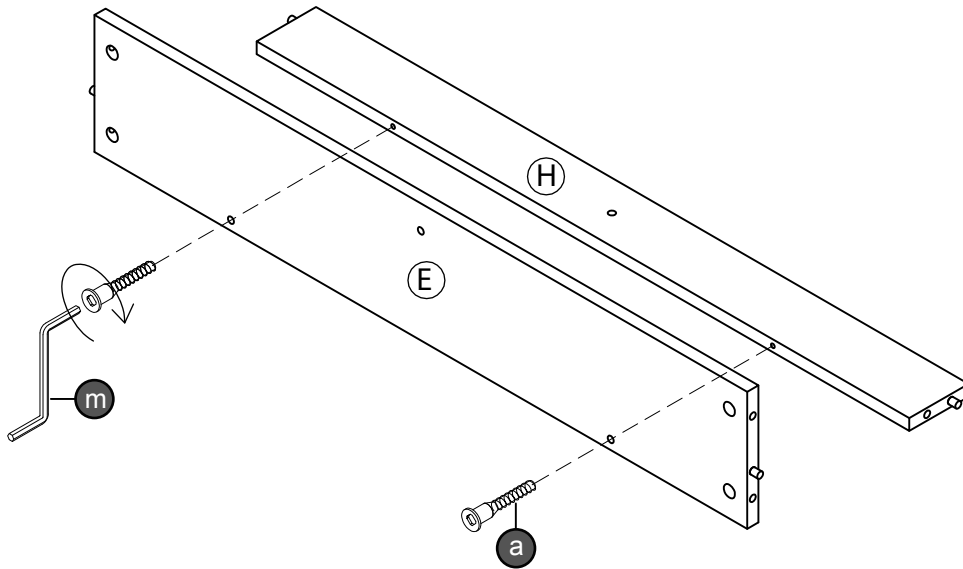
Parts Required	Qty
Panel (A)	1
Panel (B)	1
Panel (C)	1
Panel (J)	2

## STEP 3



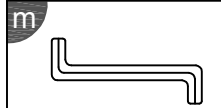
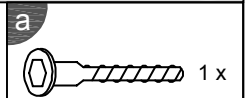
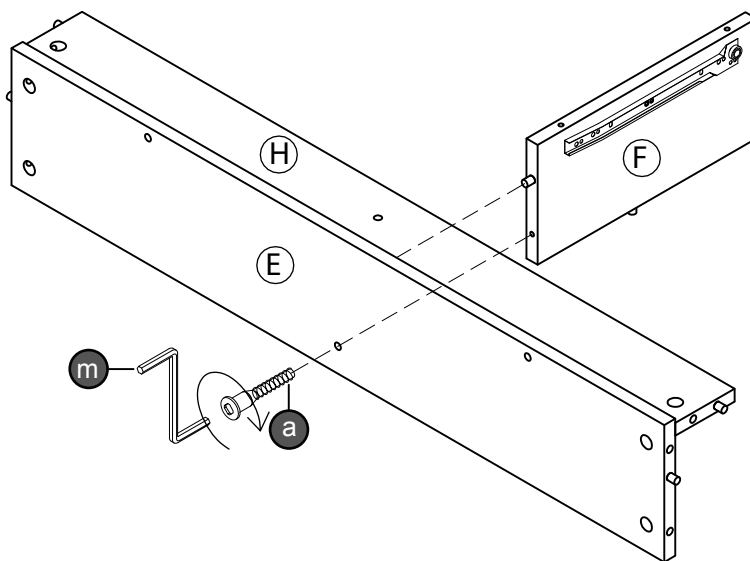
Parts Required	Qty
Panel (A)	1
Panel (B)	1
Panel (F)	2

## STEP 4



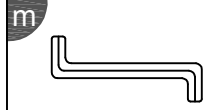
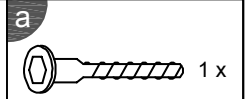
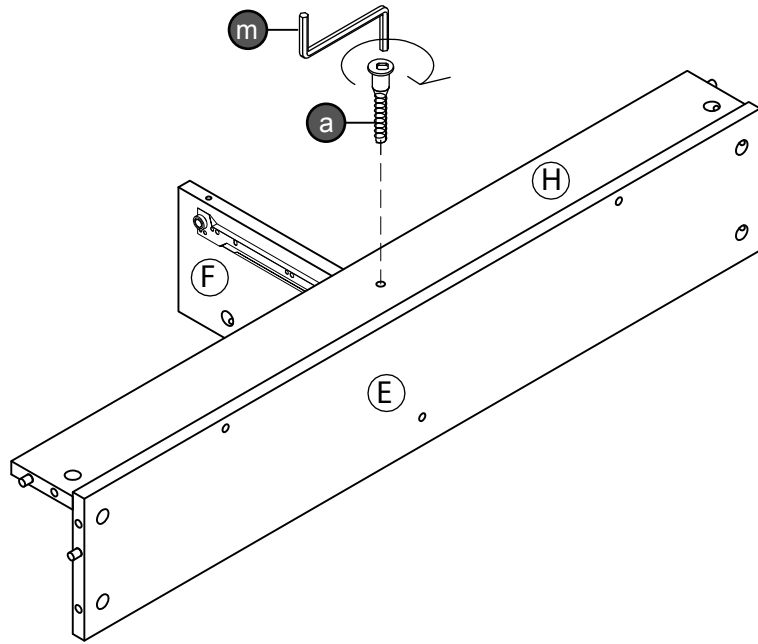
Parts Required	Qty
Panel (E)	1
Panel (H)	1

## STEP 5

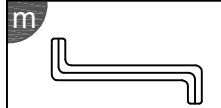
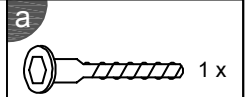
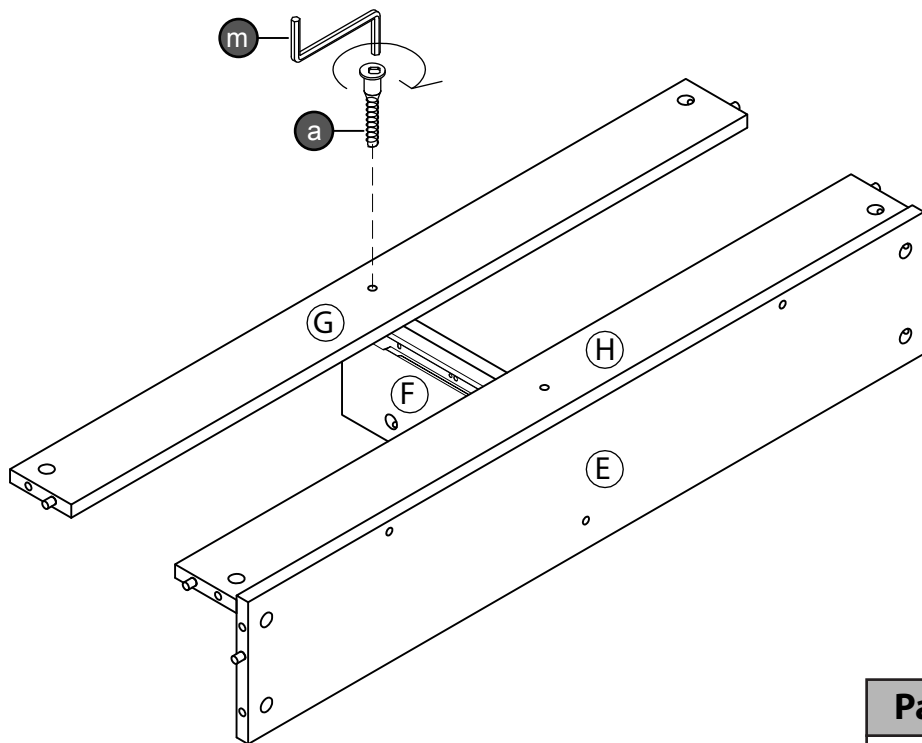


Parts Required	Qty
Panel (F)	1

## STEP 6



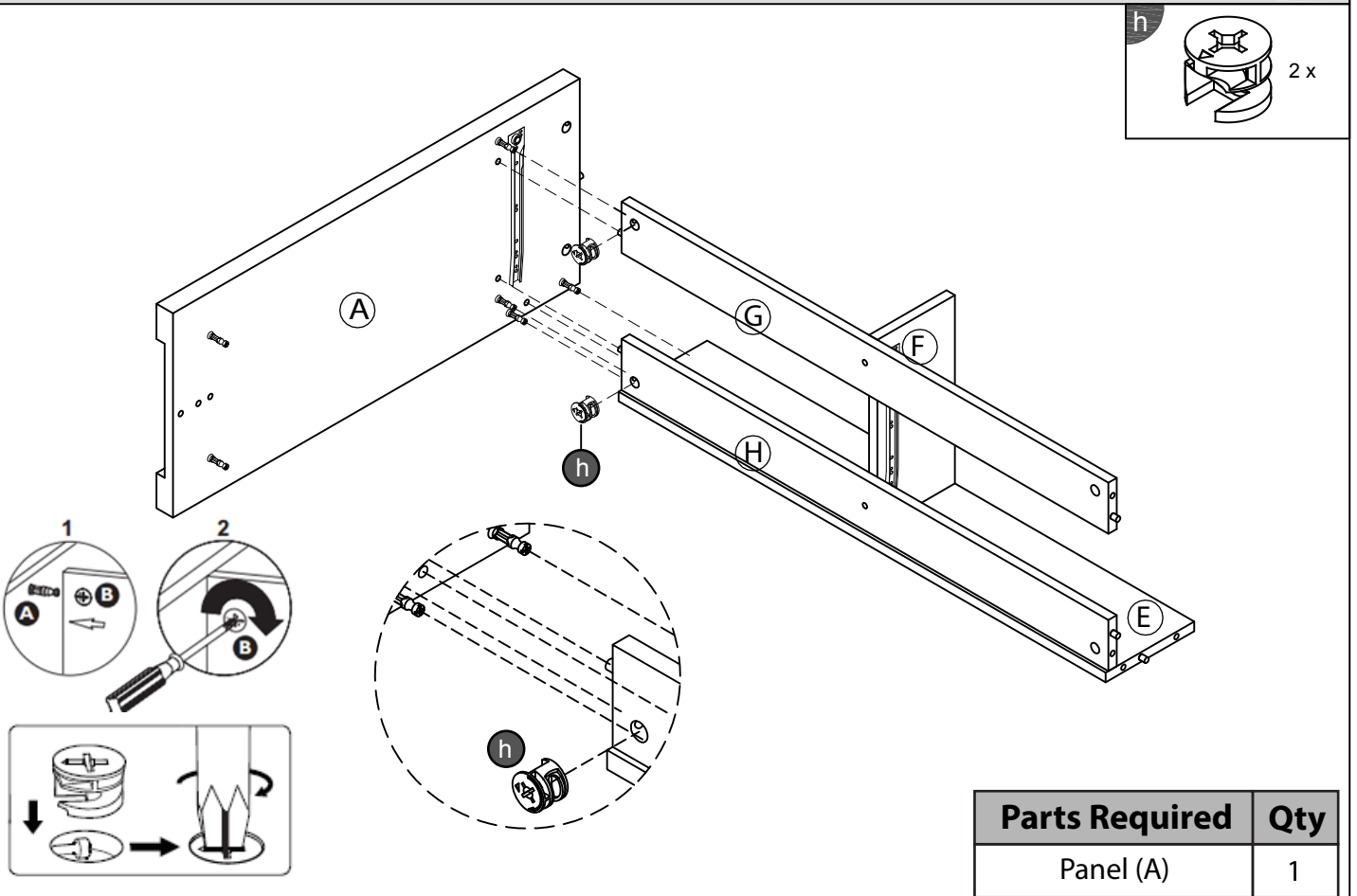
## STEP 7



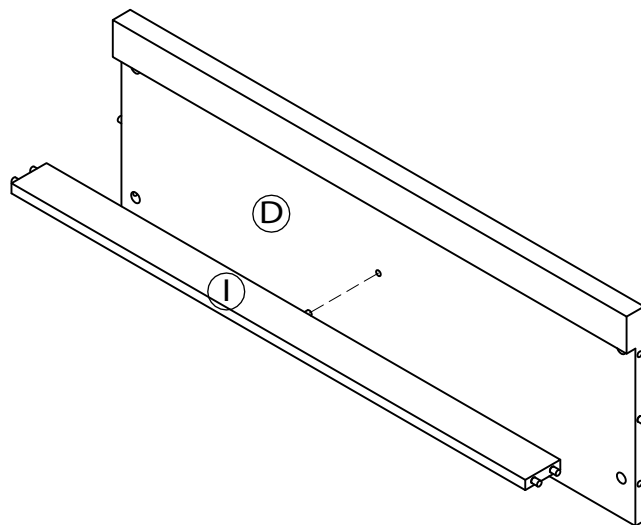
Parts Required	Qty
Panel (G)	1



## STEP 8

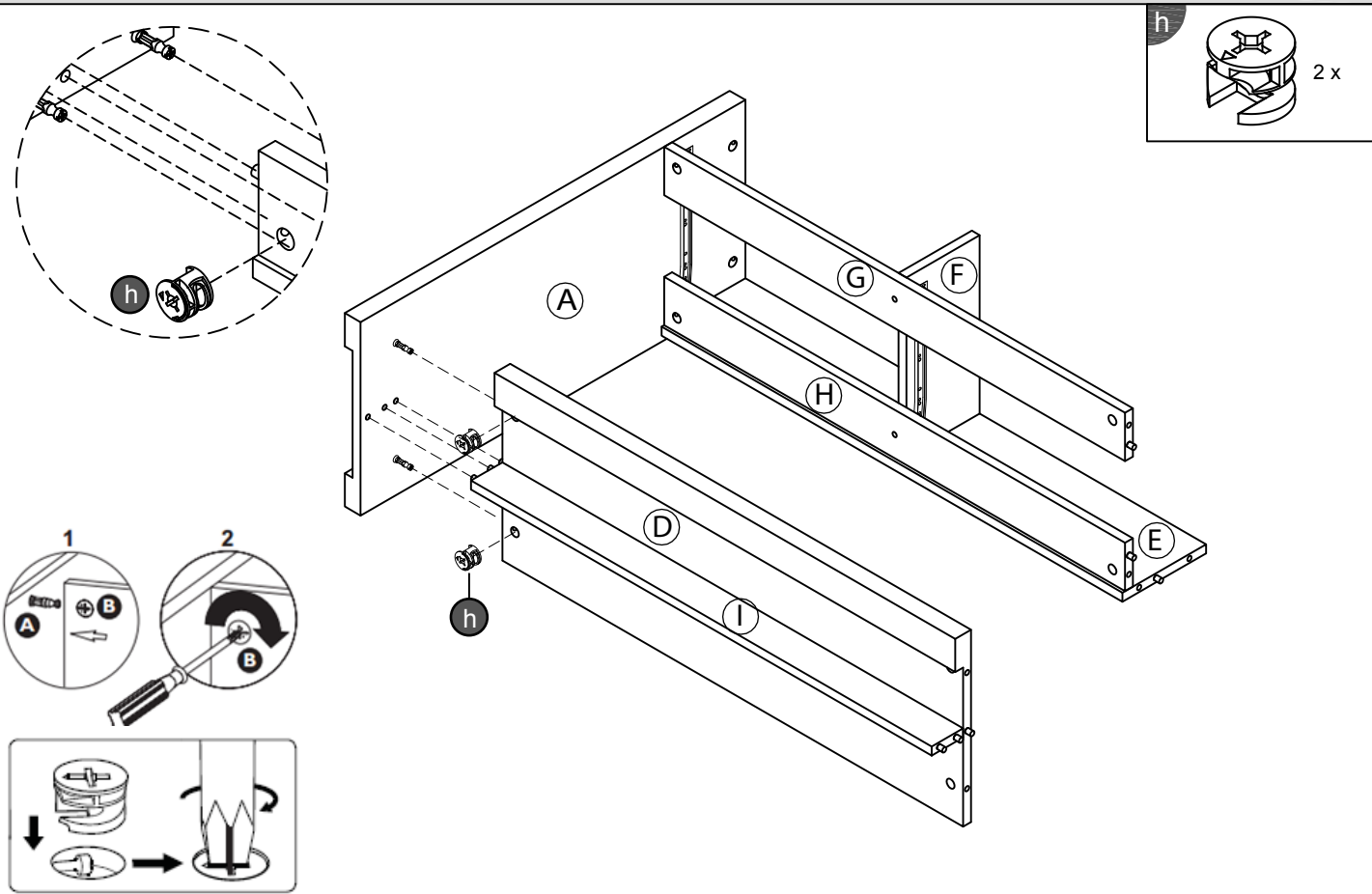


## STEP 9

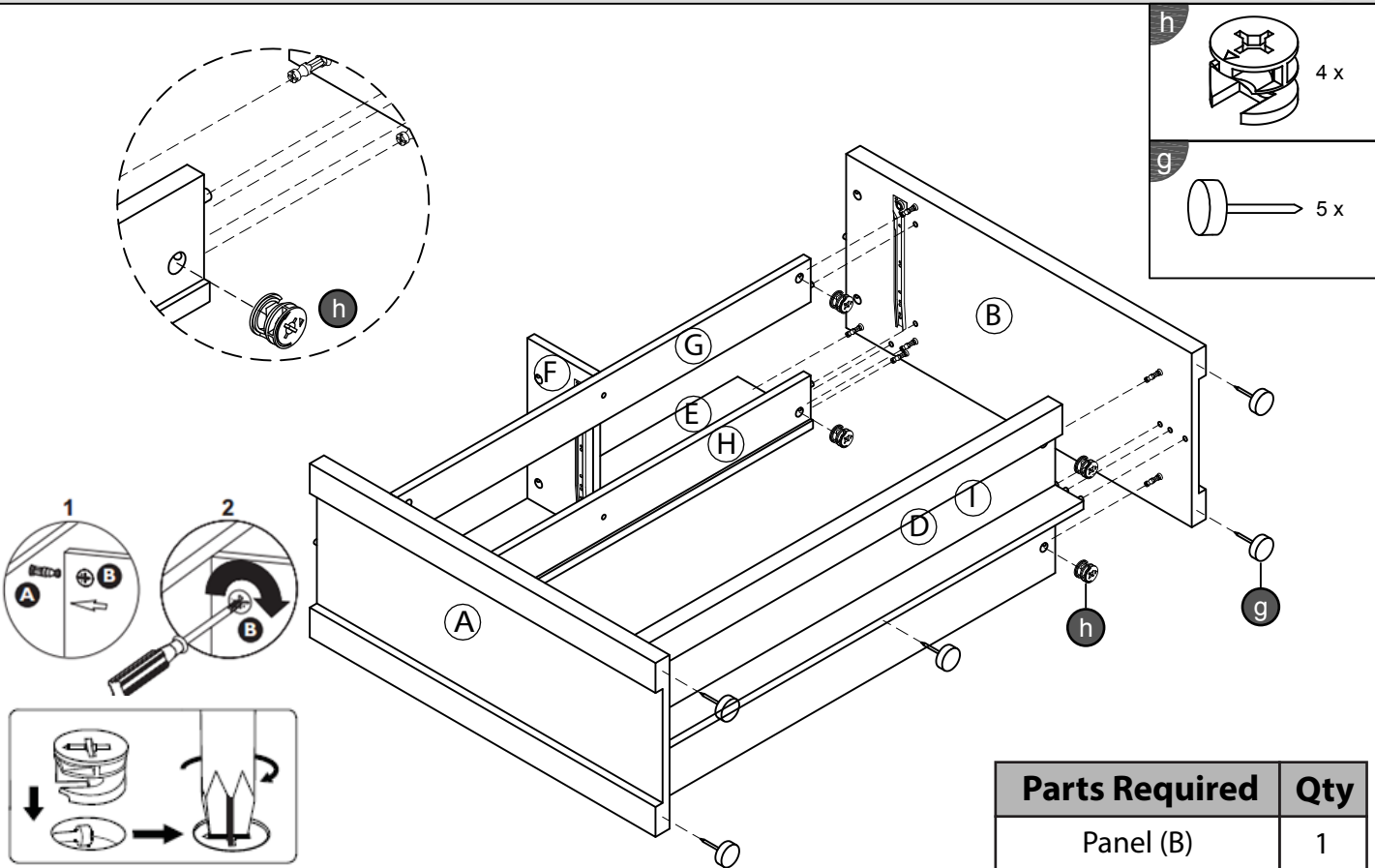


Parts Required	Qty
Panel (D)	1
Panel (I)	1

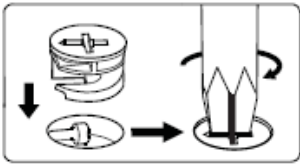
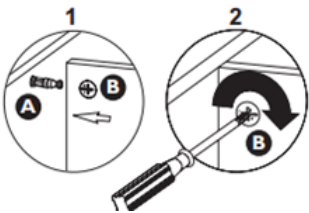
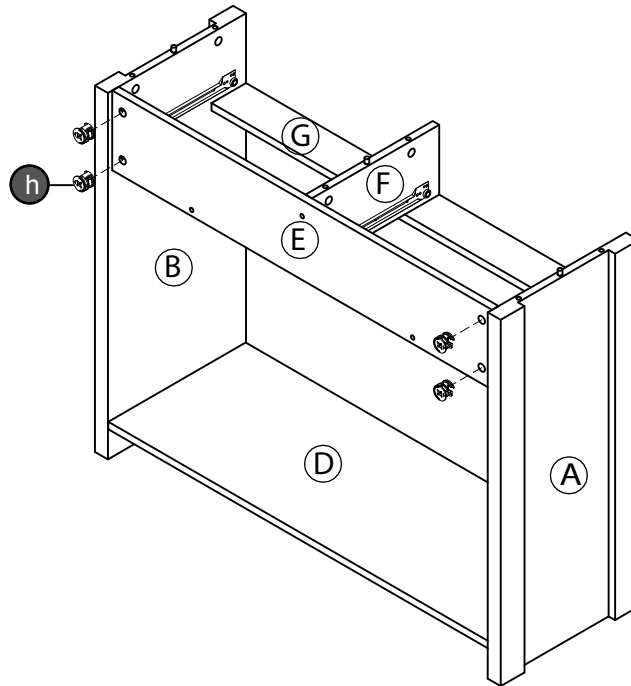
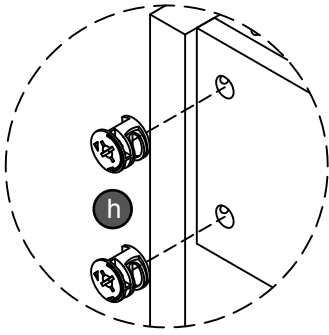
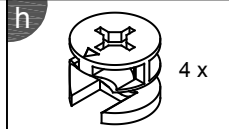
# STEP 10



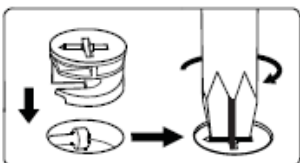
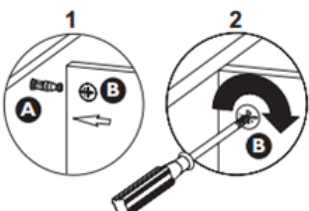
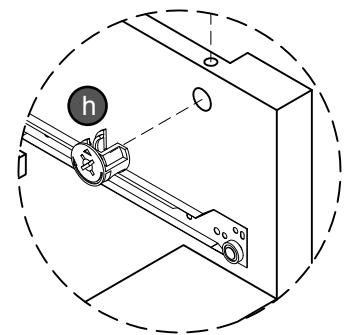
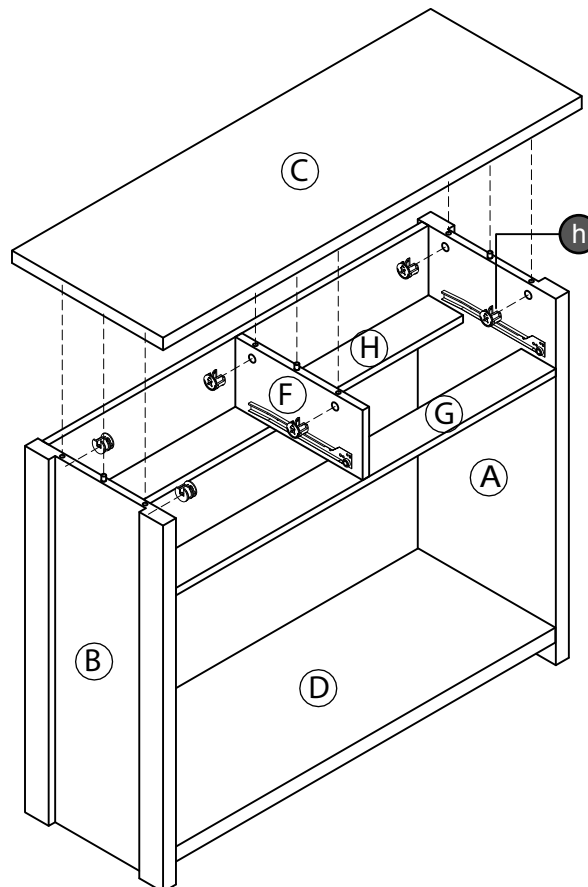
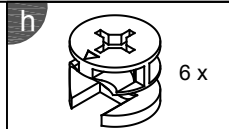
# STEP 11



## STEP 12

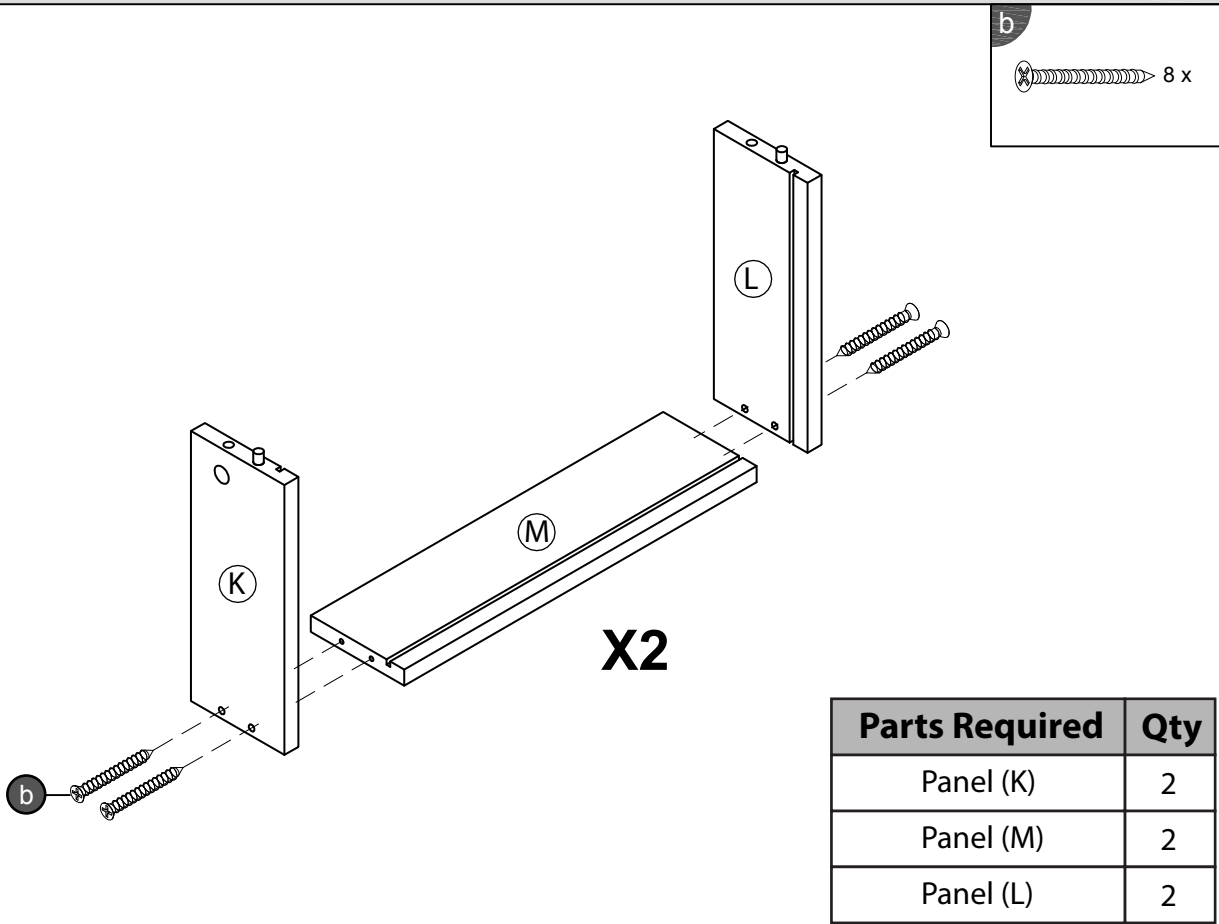


## STEP 13

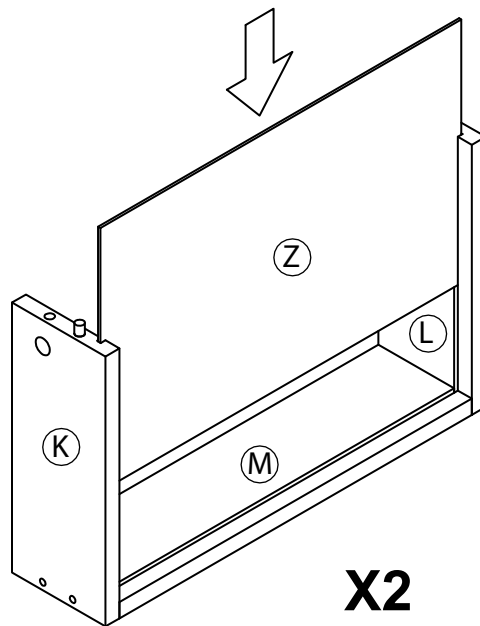


Parts Required	Qty
Panel (C)	1

## STEP 14

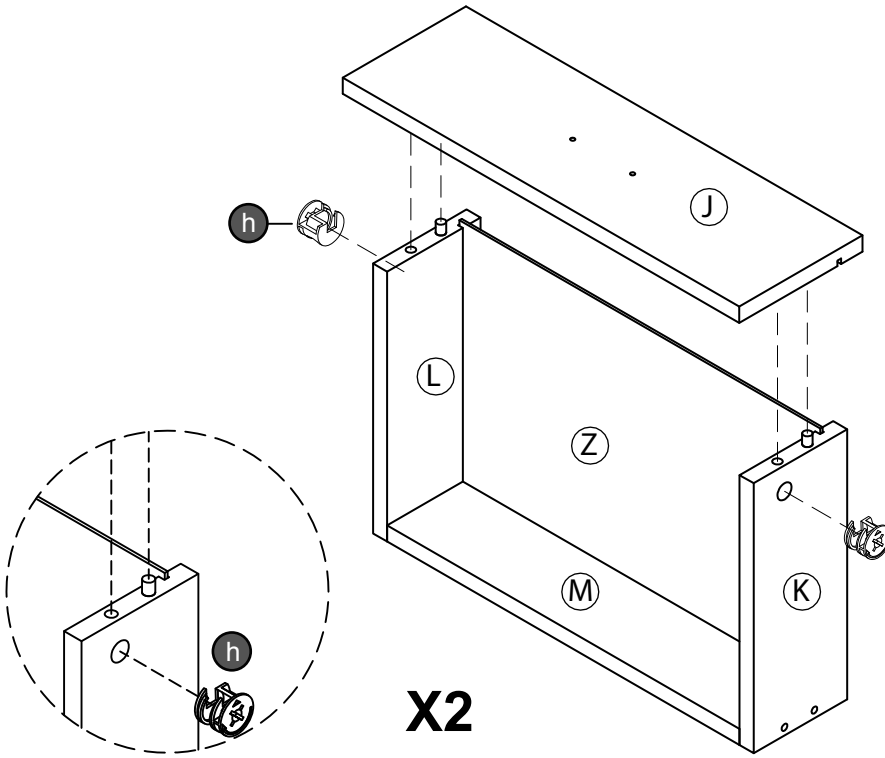


## STEP 15



Parts Required	Qty
Panel (Z)	2

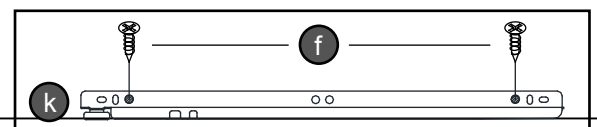
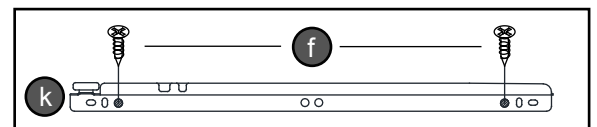
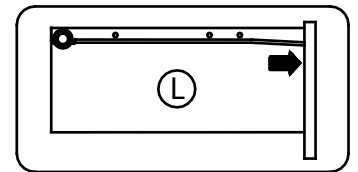
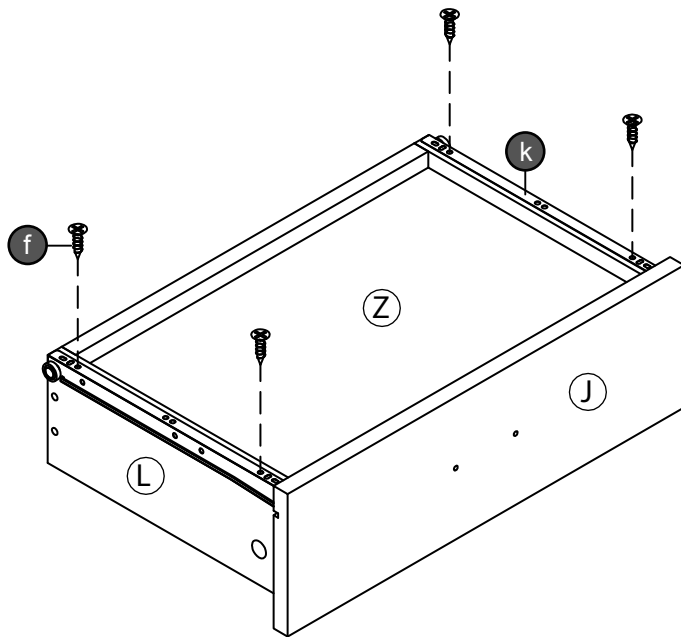
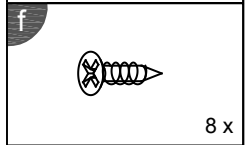
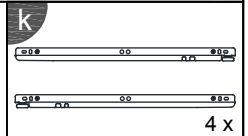
# STEP 16



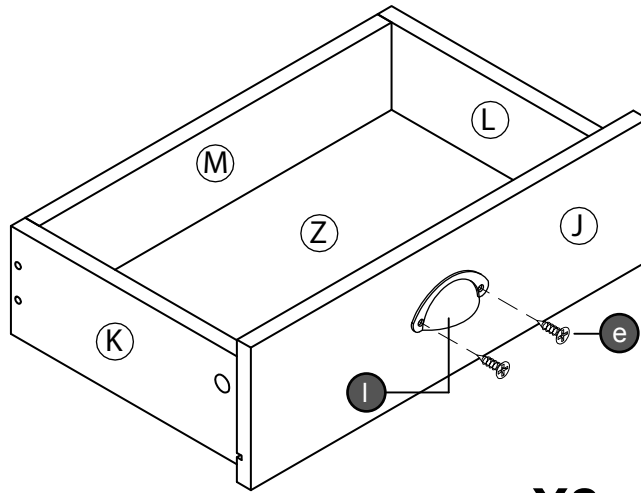
**X2**

Parts Required	Qty
Panel (J)	2

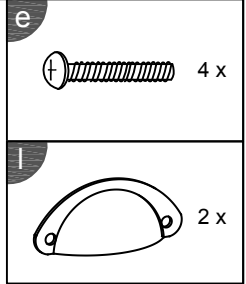
# STEP 17



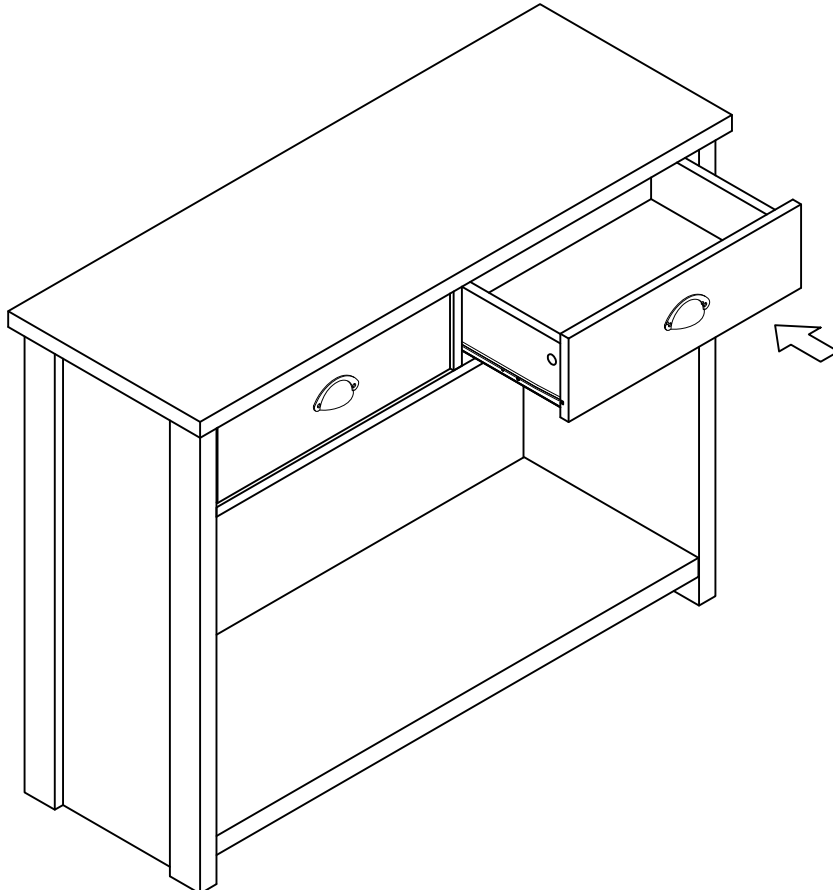
## STEP 17



**X2**

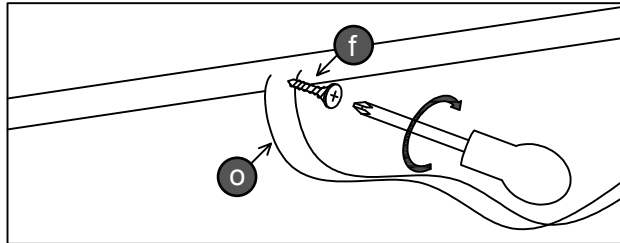


## STEP 18

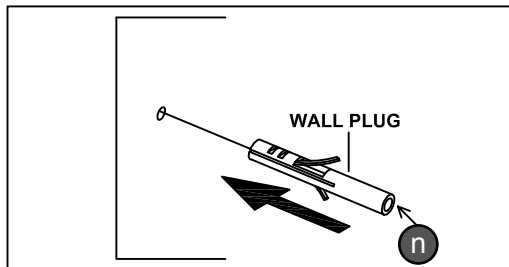


## FITTING OF ANTI-TIP SAFETY STRAP

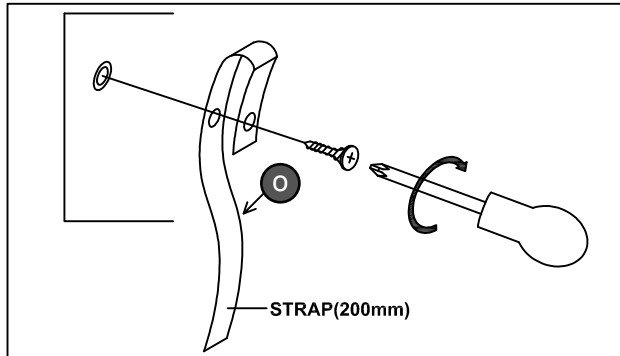
**STEP 1:**  
Put the screw in  
the top panel hole  
of your furniture



**STEP 2:**  
Make a hole in  
the wall and put  
the wall plug in



**STEP 3:**  
Put the screw in  
the wall plug hole



**NOTE :** Wall fixing are not supplied with this product as different devices (such as Rawl plugs on brick work). You must use fixing devices suitable for the type of wall you intend to mount this product to. Please ensure that the head of any screw used has a diameter greater than the diameter of the mounting hole on the product and that the fixing is safe and secure before use.

The straps and screws to fix the strap on to the furniture are provided only.

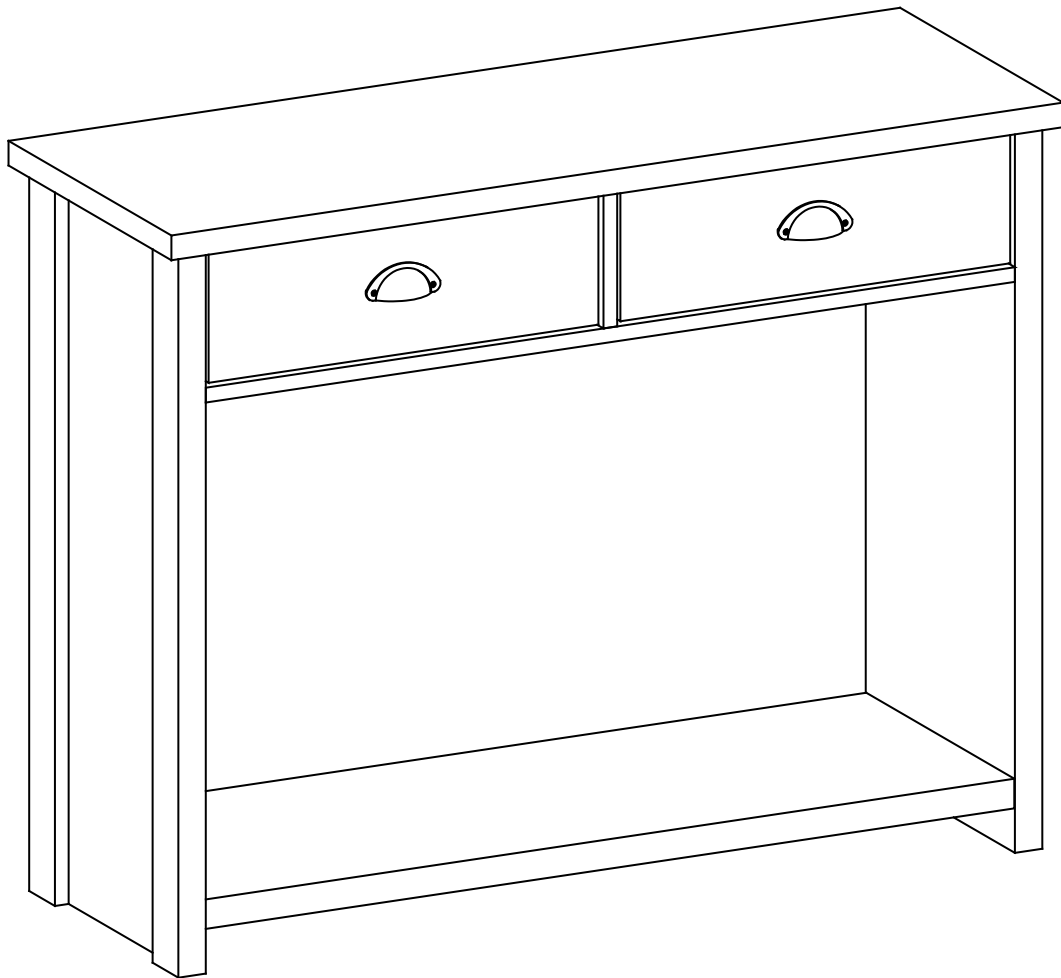
### HARDWARE LIST

f	Csk Screw (M3.5x15mm)	1 x
n	Wall Plug	1 x
o	Safety strap (L-200mm)	1 x

## Complete Assembly

Your **LANCASTER CONSOLE HALL TABLE** is now completely assembled

Periodically check to ensure that the components are in their proper position, free from damage. Also, make sure the connectors are tight and secure.



Keep instructions for future reference

