

**01MOW4803-V3**

**Overlap mower store**

## BEFORE YOU START PLEASE READ INSTRUCTIONS CAREFULLY

- Check the pack and make sure you have all the parts listed.
- When you are ready to start, make sure you have the right tools at hand (not supplied) including a Phillips screwdriver, Stanley knife, wood saw, step ladder and drill with 2mm bit.
- Ensure there is plenty of space and a clean dry area for assembly.

## TIMBER

As with all natural materials, timber can be affected during various weather conditions. For the duration of heavy or extended periods of rain, swelling of the wood panels may occur. Warping of the wood may also occur during excessive dry spells due to an interior moisture loss. Unfortunately, these processes cannot be avoided but can be helped. It is suggested that the outdoor building is sprayed with water during extended periods of warm sunshine and sheltered as much as possible during rain or snow.

Our buildings are pre treated with a water based treatment<sup>\*\*</sup>; this only helps to protect the product during transit and for upto 3 months against mould. To validate your guarantee and ensure longevity of the product, it is ESSENTIAL the building is treated with a wood preserver within the first three months of assembly and thereafter in accordance with the manufactures recommendations. Care must be taken to ensure the product is placed on a suitable base.

## BUILDING A BASE

When thinking about where the building and base is going to be constructed: Ensure that there will be access to all sides for maintenance work and annual treatment.

Ensure the base is level and is built on firm ground, to prevent distortion. Refer to diagrams for the base dimensions, The base should be slightly smaller than the external measurement of the building, i.e. The cladding should overlap the base, creating a run off for water. It is also recommended that the floor be at least 25mm above the surrounding ground level to avoid flooding.

## TYPES OF BASE

- Concrete 75mm laid on top of 75mm hard-core.
- Slabs laid on 50mm of sharp sand.

***Whilst all products manufactured are made to the highest standards of Safety and in the case of childrens products independently tested to EN71 level, we cannot accept responsibility for your safety whilst erecting or using this product.***

Refer to the instructions pages for you specific product code



x2

All building's should be erected by two adults



Winter = High Moisture = Expansion  
Summer = Low Moisture = Contraction



2mm Drill bit

For ease of assembly, you **MUST** pilot drill all screw holes and ensure all screw heads are countersunk.



## CAUTION

Every effort has been made during the manufacturing process to eliminate the prospect of splinters on rough surfaces of the timber. You are strongly advised to wear gloves when working with or handling rough sawn timber.

## **\*\*Protim Aquatan T5 (621)\*\***

**Protim Aquatan\* T5** is a coloured, water-based concentrate which is diluted with water to make a solution for application to unseasoned timber. **Protim Aquatan T5** treated wood is not protected against wood destroying insects or wood decaying fungi. Further preservative treatment is required to protect against these organisms.

**Contains:** Boric Acid, Sodium Hydroxide 32% solution, aqueous mixture of sodium dioctyl sulphosuccinate & alcohols: 2,4,6-Trichlorophenol.

## **Hazard Statements:**

**H315:** Causes skin irritation.

**H319:** Causes serious eye irritation.

**H412:** Harmful to aquatic life.

Wear gloves when handling freshly treated wood.

Avoid breathing dust when cutting treated or untreated wood.

Dispose of off-cuts responsibly – **do not burn**.

**IF SKIN IRRITATION OCCURS:** Get medical advice/attention.

**IF IN EYES:** Rinse cautiously with water for several minuets. Remove contact lenses, and continue rinsing. If the irritation persists: Get medical advice/attention.

**DO NOT INGEST.**

**For assistance please contact customer care on: 01636 880514**

**Mercia Garden Products Limited,  
Sutton On Trent,  
Newark,  
Nottinghamshire,  
NG23 6QN**

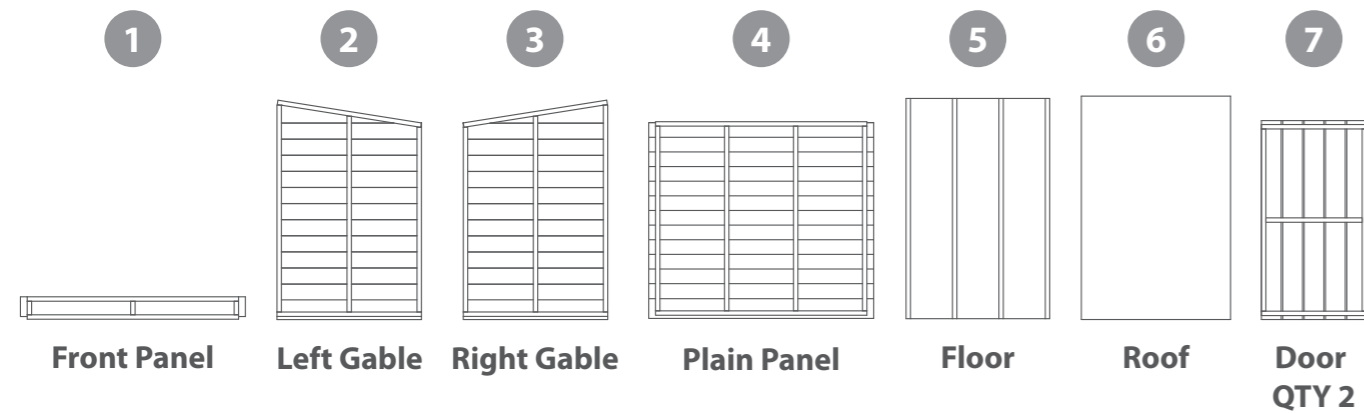
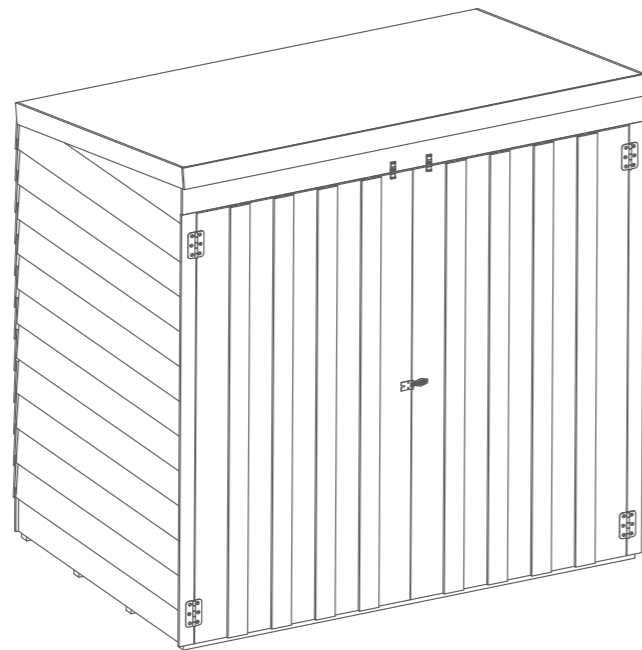
[www.merciagardenproducts.co.uk](http://www.merciagardenproducts.co.uk)

### Overall Dimensions:

Length = 1429mm  
Width = 950mm  
Height = 1419mm

### Base Dimensions:

Length = 1395mm  
Width = 910mm



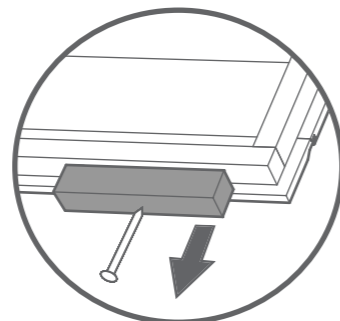
- 8 Door Strip - 7x45x1264mm QTY 2
- 9 Lrg Fascia - 7x60x1429mm
- 10 Sml Fascia - 7x60x945mm
- 11 Butt Hinge QTY 4
- 12 Turn Button QTY 2
- 12 Hasp & Staple

### Nail Bag

- 50mm Screw x21
- 30mm Screw x50
- 30mm Black Screw x8
- Felt Tacks x48

### Pre Assembly

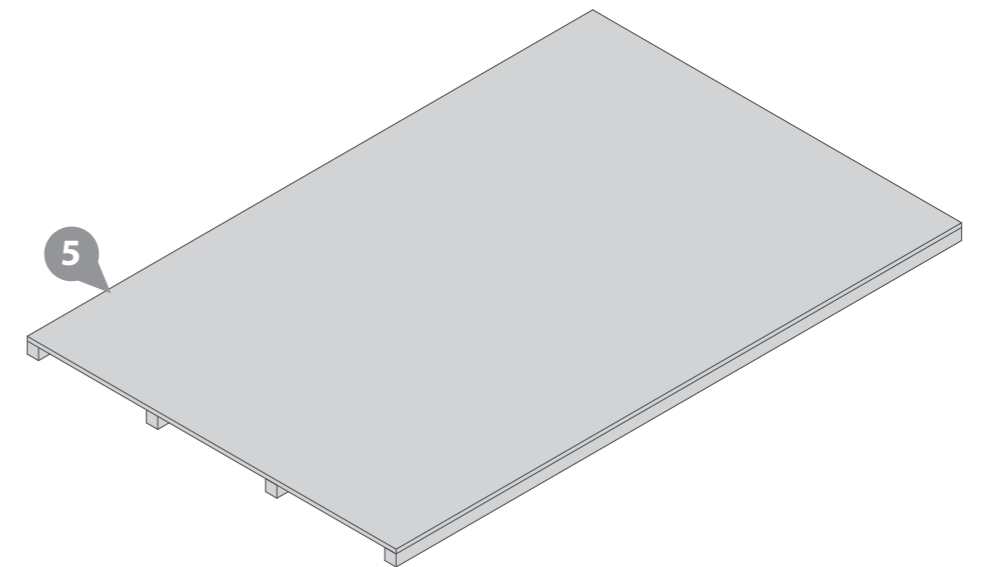
Before beginning assembly remove the transportation blocks from the bottom of each panel.



### Step 1

Place the floor onto a firm and level base.

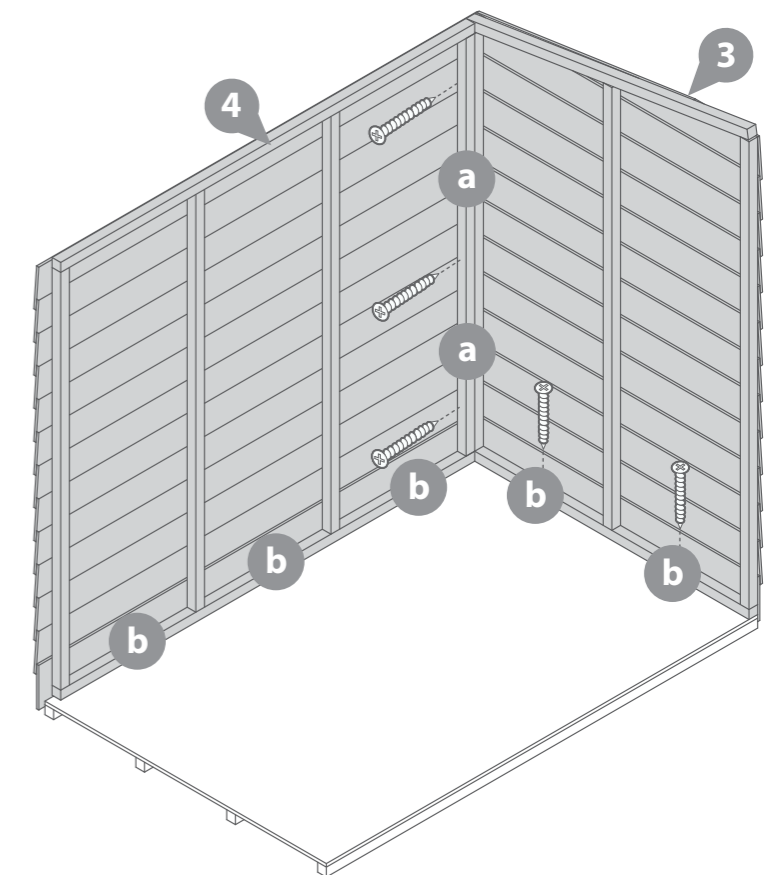
Ensure the base has suitable drainage & is free from areas where standing water can collect.



### Step 2

- a Place the back panel and the right gable onto the floor and secure at the corner with 3x50mm screws.
- b Fix to the floor using 5x50mm screws, ensure to screw through the framing into the floor bearers.

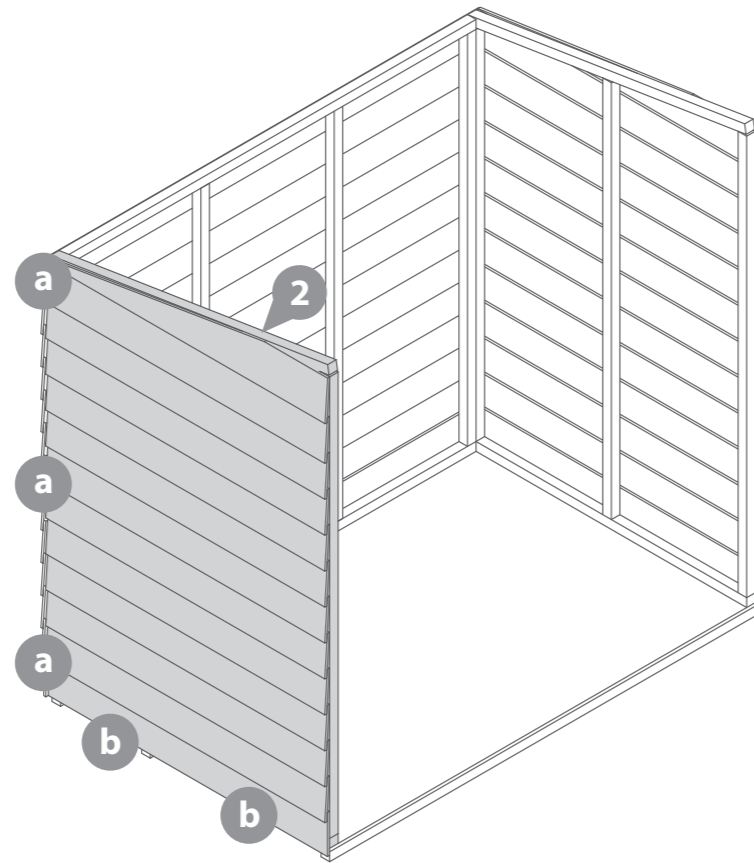
### 8x50mm Screws



**Step 3**

- a** Place the left gable onto the floor and secure at the corner with 3x50mm screws.
- b** Fix to the floor using 2x50mm screws, ensure to screw through the framing into the floor bearers.

**5x50mm Screws**

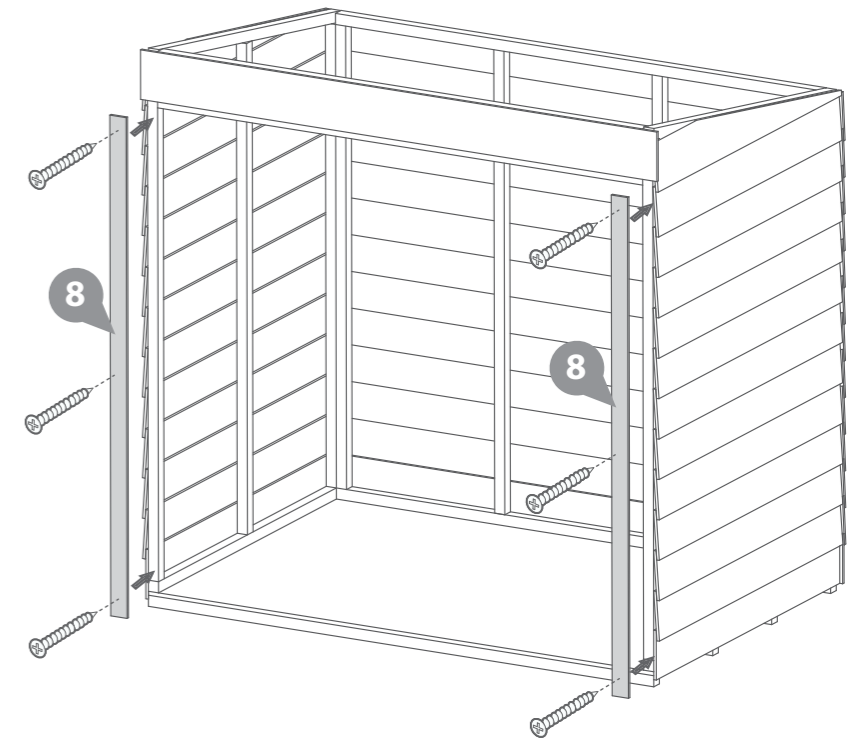


**Step 4**

Attach the door strips to either side of the building.

**\*Ensure the strip sits flush to edge of the framing and there is NO overhang inside the building.**

**6x30mm Screws**

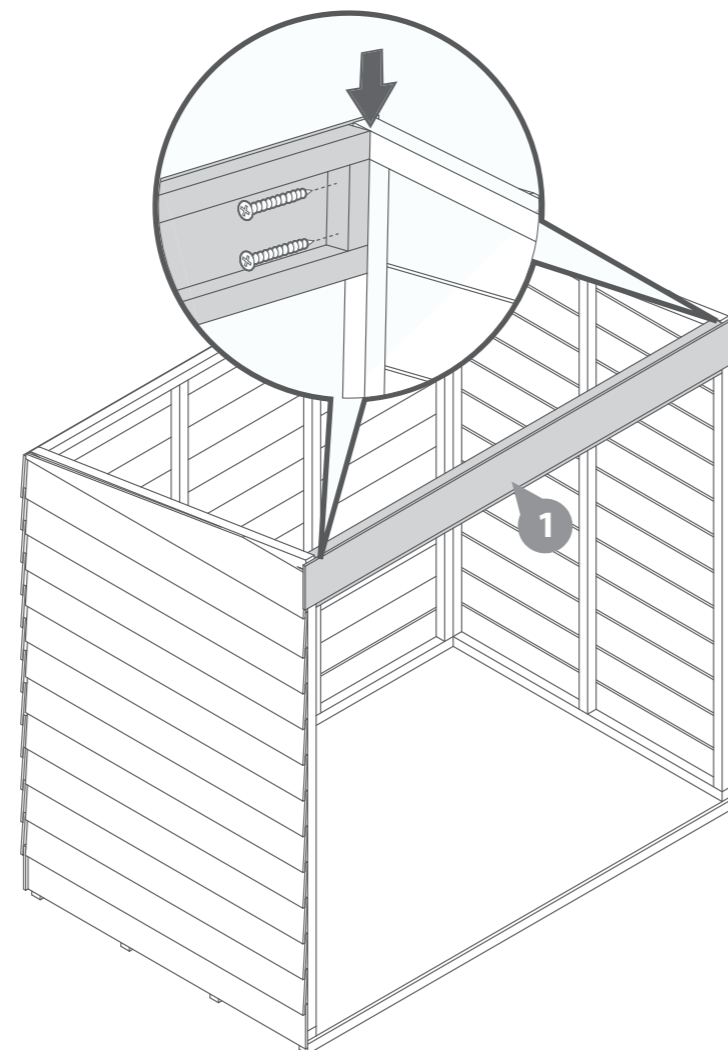


**Step 3**

Fix the front panel inbetween the gables, securing into place with 4x50mm screws from the inside of the building.

**\*Ensure to align the framing with the edge of each gable.**

**4x50mm Screws**



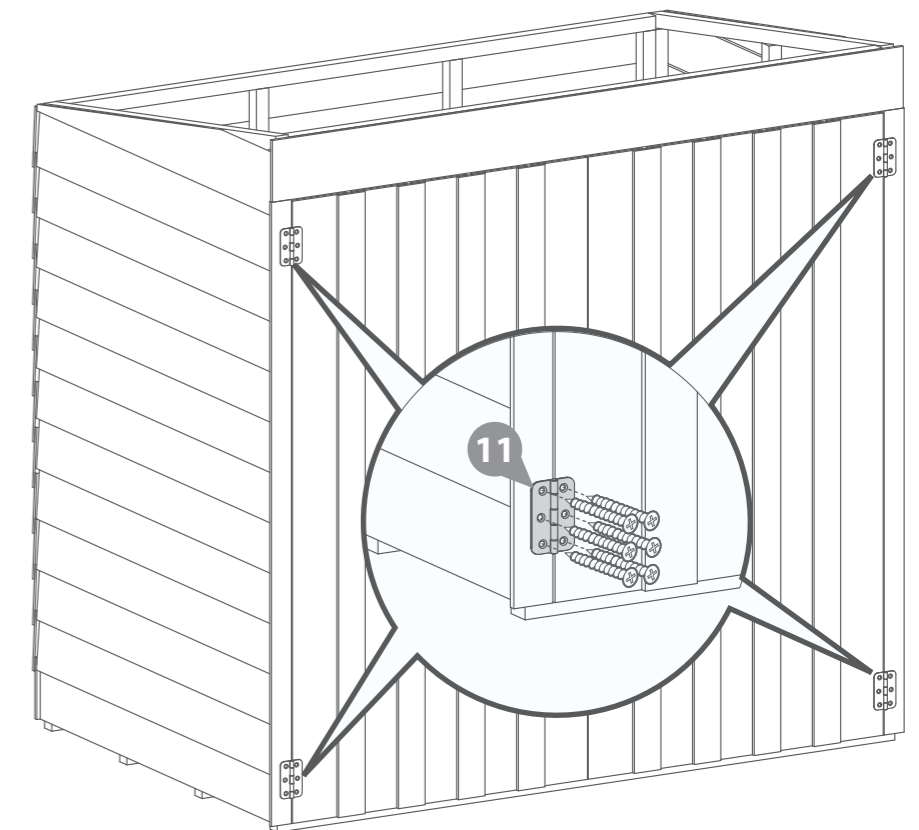
**Step 5**

Fit 2x butt hinges to each door with 3x30mm screws per hinge.

Align each door into the door gap and secure into place with 3x30mm screws per hinge.

**\*Ensure the doors open and close freely without any obstructions.**

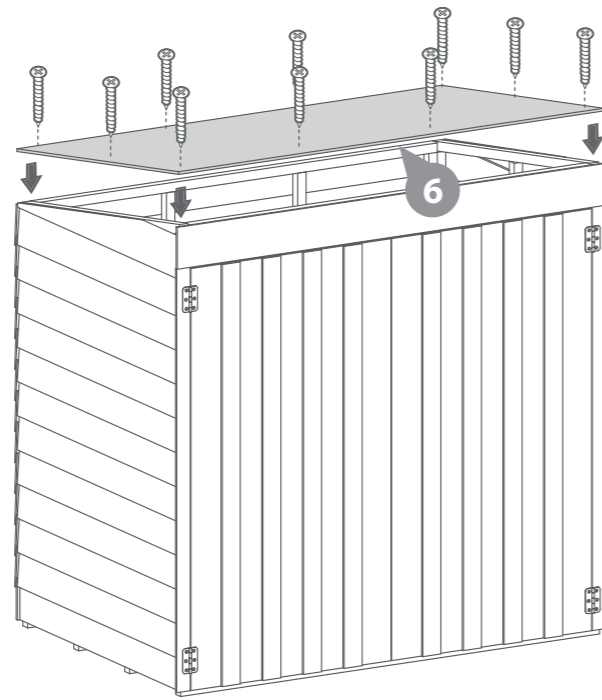
**24x30mm Screws**



### Step 6

Place the roof sheet on top of the building and fix into place with 10x30mm screws.

#### 10x30mm Screws



### Step 7

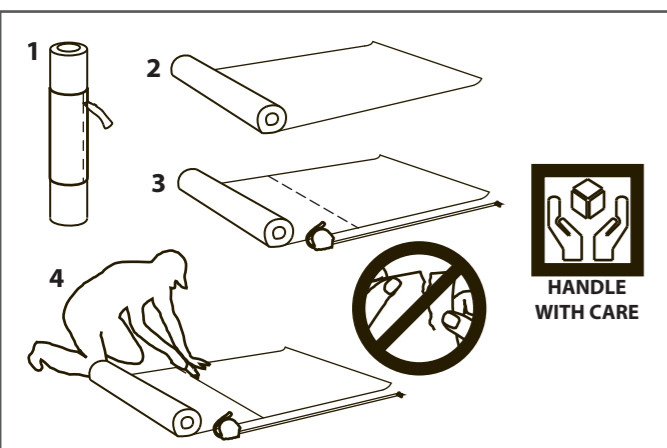
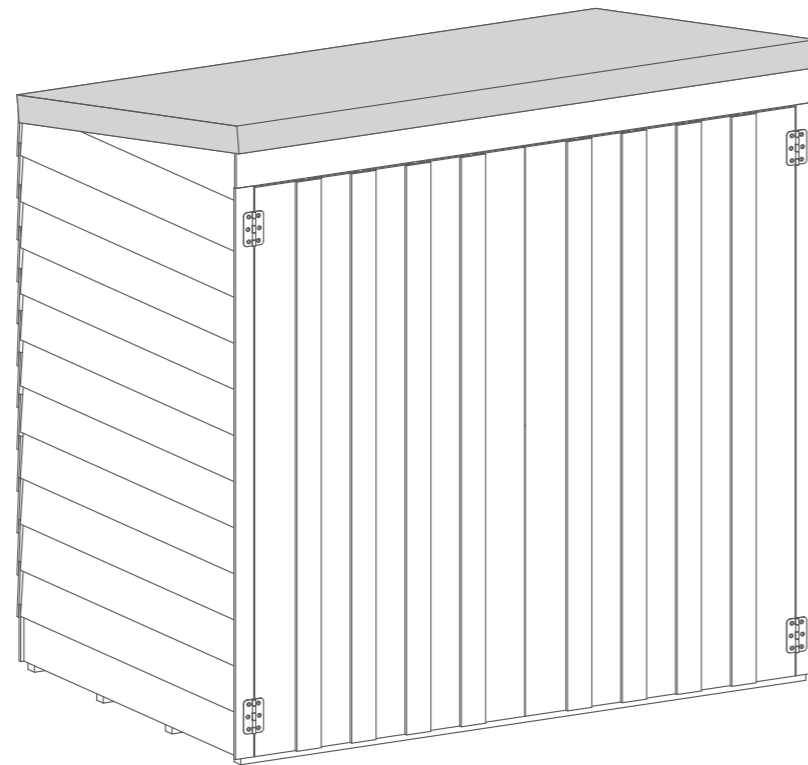
Measure and cut the felt to size and lay onto the roof.

*\*Ensure there is approximately 50mm of overhang around the building.*

Fix the felt down using 48x felt tacks at 100mm intervals.

#### 48x Felt Tacks

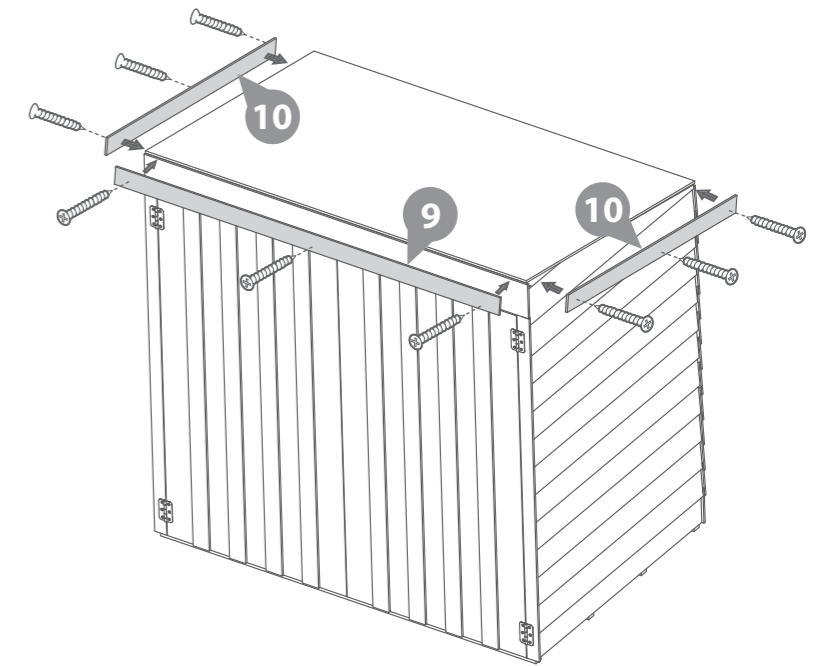
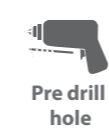
**Felt size: 1530mm**



### Step 8

Attach the lrg and sml fascias to the front and sides of the building, fixing into place using 9x30mm screws.

#### 9x30mm Screws



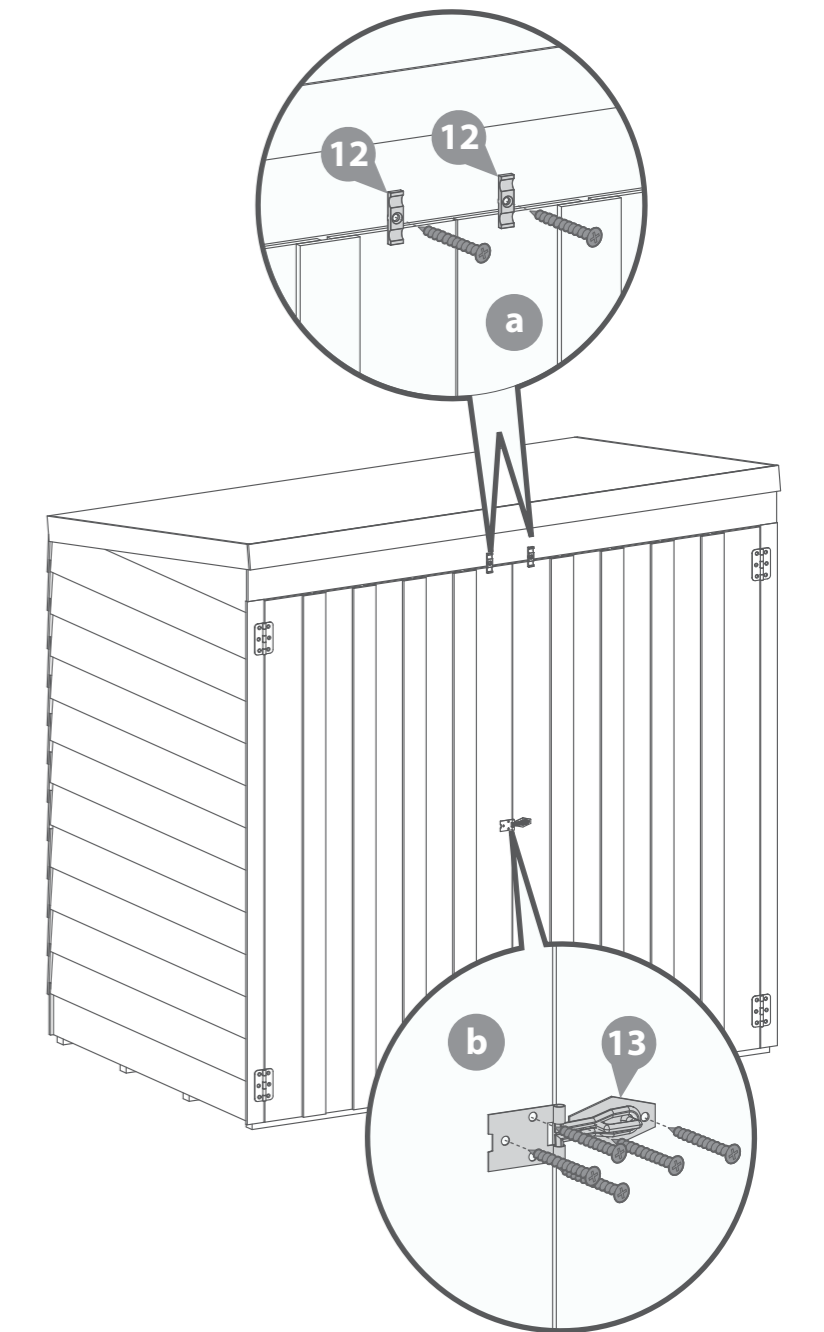
### Step 9


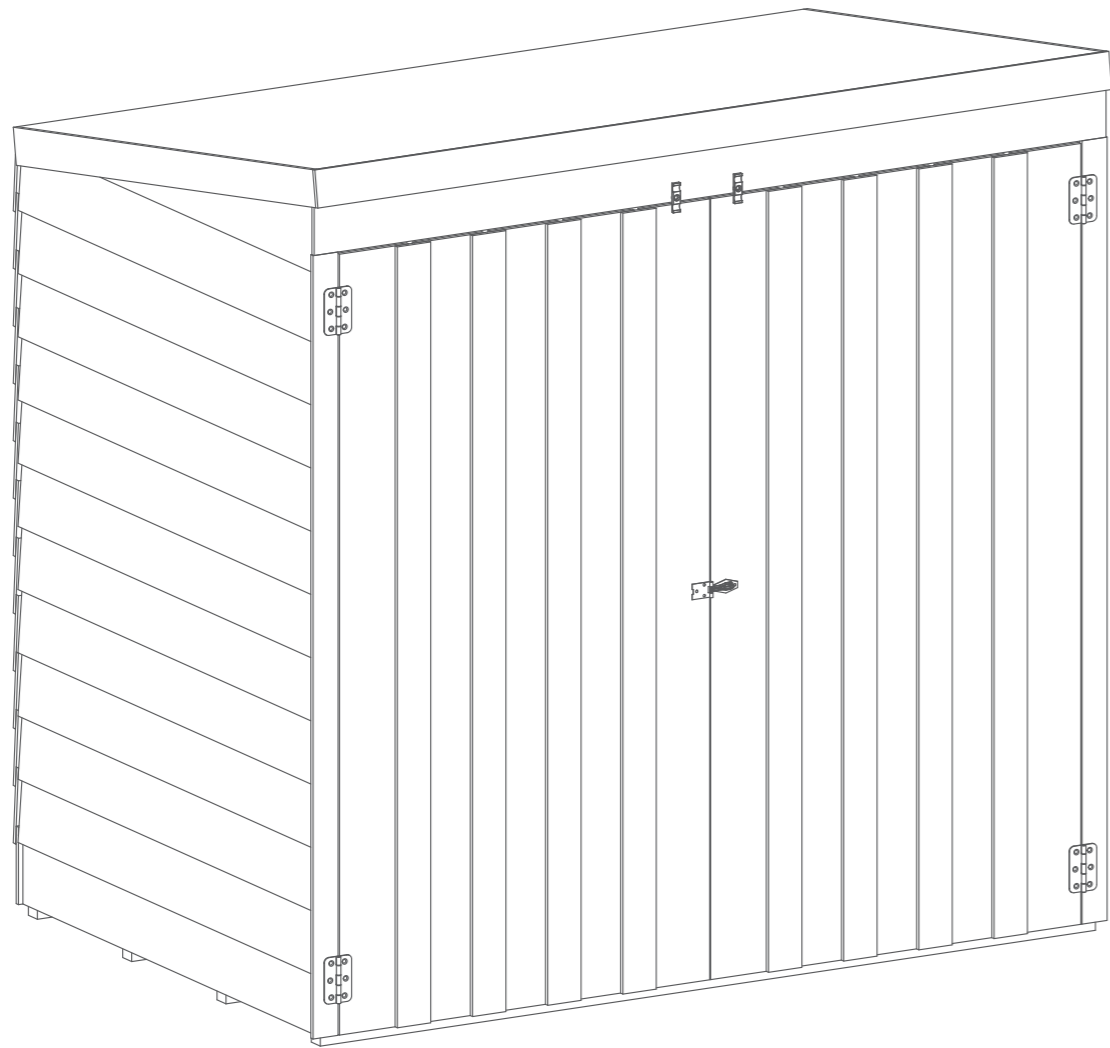
**a** Secure the 2 turn buttons to the front panel using 2x30mm black screws.

*\*Ensure these turn buttons close over each door.*

**b** Fit the hasp and staple onto the doors centrally with 5x30mm black screws, making sure to screw into the door framing.

#### 7x30mm Black Screws





**It is ESSENTIAL that you apply wood treatment immediately after the building has been assembled.**