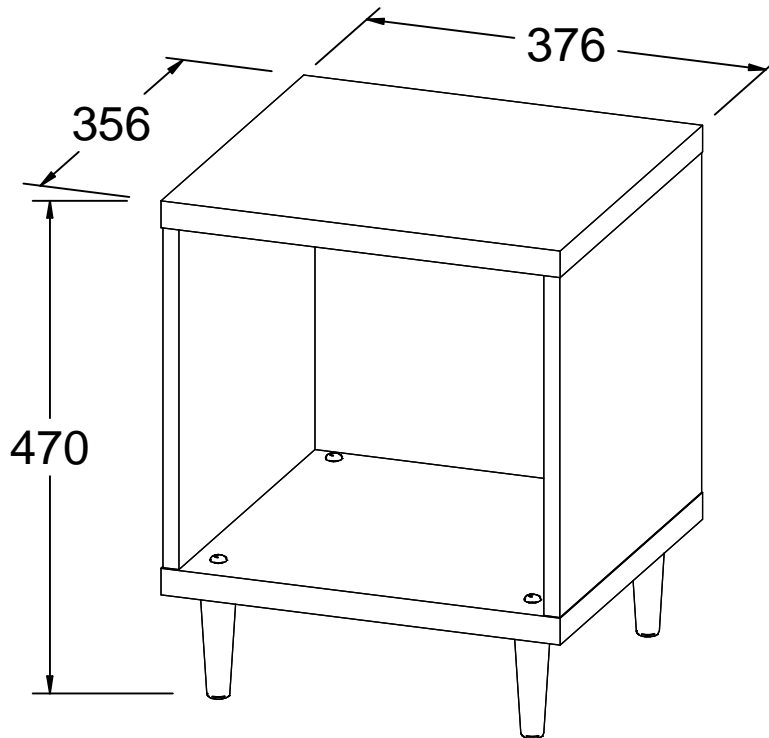


PRESTO LAMP TABLE ASSEMBLY INSTRUCTIONS

Thank you for purchasing the **LAMP TABLE**.
Please read the instructions carefully to ensure safe operation of the product.



Size : (W)376 x (D)356 x (H)470 mm.

PLEASE READ this sheet prior to assembly to familiarise yourself with the various stages of construction.

Carefully open the pack supplied and check the contents against the parts and fitting check list. Do not destroy any the packaging until you are certain that you have the necessary parts for the assembly.

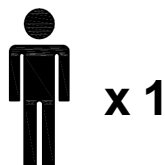
CAUTION: There are small components used in the construction of this unit. These loose item should be kept away from your children whilst assembling your unit to avoid the danger of choking hazards.

No Tools Required

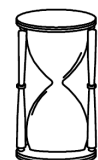
For more information on how to assemble your product visit:



Person Required



Approximate Assembly Time



15 mins

IMPORTANT - READ CAREFULLY - RETAIN THESE INSTRUCTIONS FOR FUTURE REFERENCE.

INFORMATION

- This product is intended for a maximum weight of 25kgs. Do not exceed this weight.
- Due to the size of this product we recommend that is assembled in the room intended for use.
- When you ready to start, make sure that you have, plenty of space and a clean, dry area for assembly.
- Unwrap all packaging materials and place the components on top of the carton box or not on a clean floor to prevent it from scratching.
- Check the pack and make sure you have all the parts listed.
- Ensure that this product is fully assembled as illustrated before use.
- Check all screws or bolts are tightened and inspect regularly.
- This product should only be used on firm, level ground.
- Keep small parts out of reach of children.
- Make sure the legs remain in contact with the ground.
- Tools included.

WARNINGS

- Do not sit or stand on the unit.
- Never place hot items or liquids on the surface. Always use a heat resistand mat.

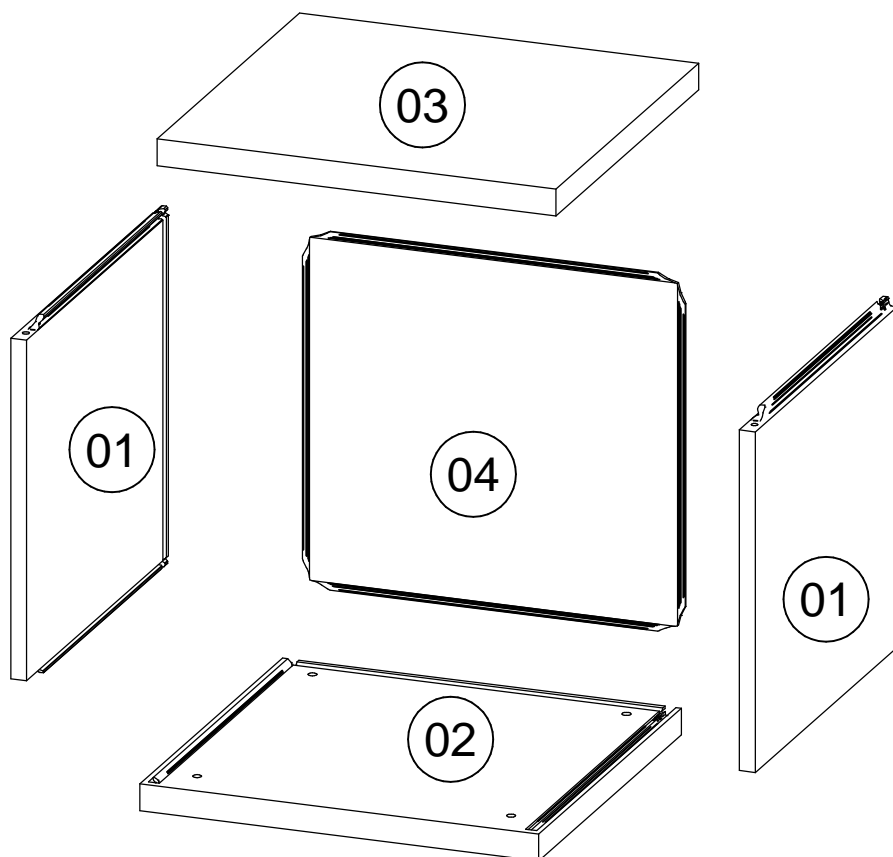
CARE INFORMATION

- To clean, wipe with a damp cloth.
- Never use scouters, abrasives or chemical cleaners as surface shall be scratched.
- Do not use solvent based cleaners or detergents as they can bleach or damage tha paint.

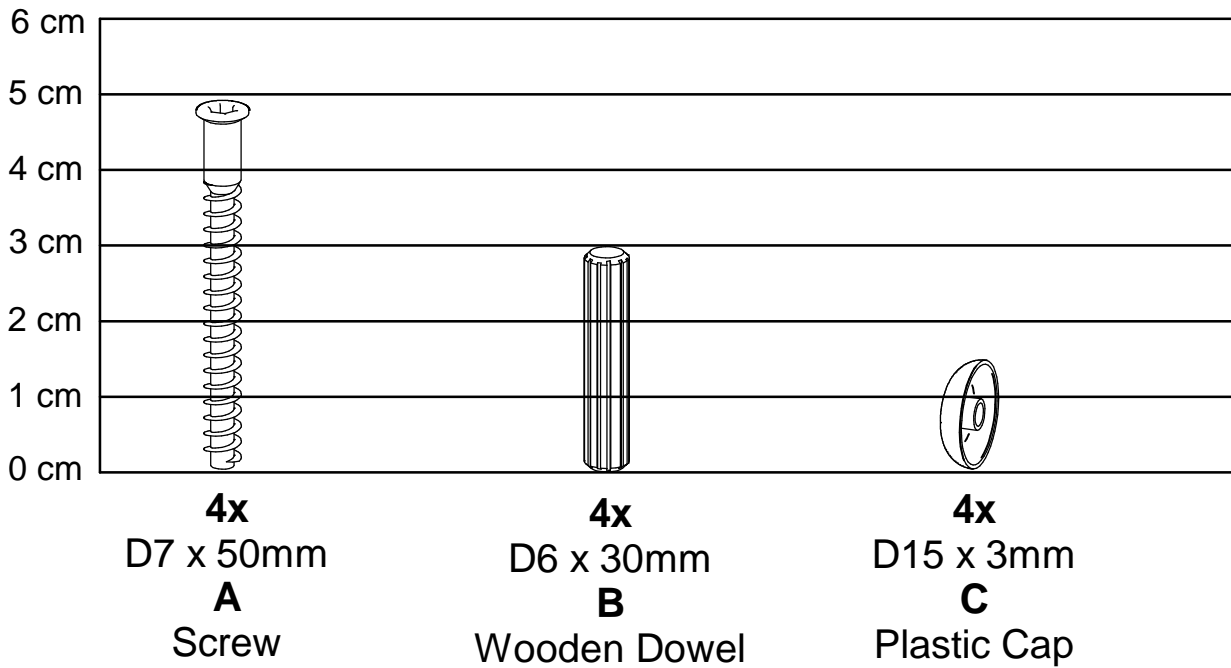
Please check the pack contents before assembling the product. If any components are missing, please contact your retailer. The fitting pack contains small items should kept away from small children.

Parts

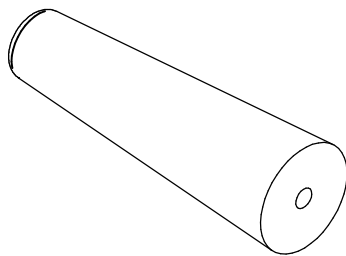
CODE	PART NAME	QTY
01	Side Panel (15 X 354 X 335 mm)	2
02	Bottom Panel (25 X 356 X 376 mm)	1
03	Top Panel (25 X 356 X 376 mm)	1
04	Back Panel (3 X 335 X 361 mm)	1



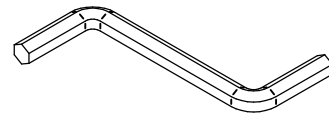
Fixings (to scale)



Fixings (not to scale)



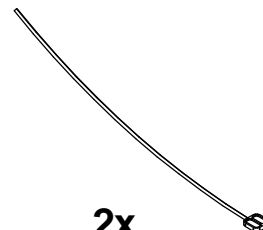
4x
102mm
D
Wooden leg



1x
M4
E
Hex Key

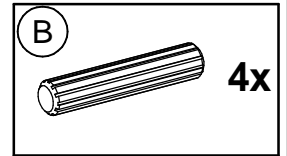


1x
30x25
F
Adhesive tape

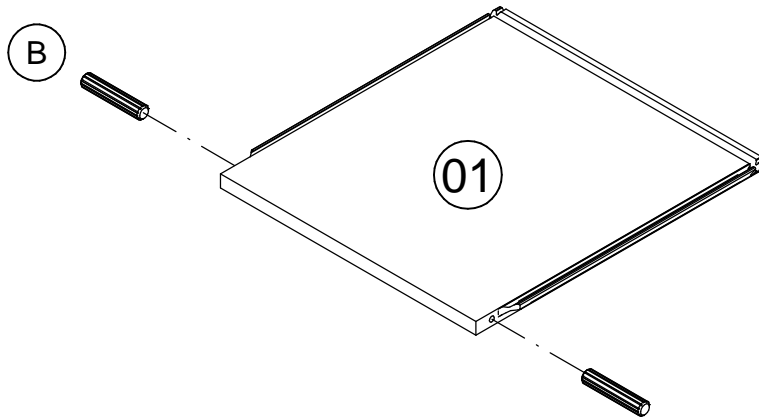


2x
400mm
G
Disassembly Pin

STEP 1

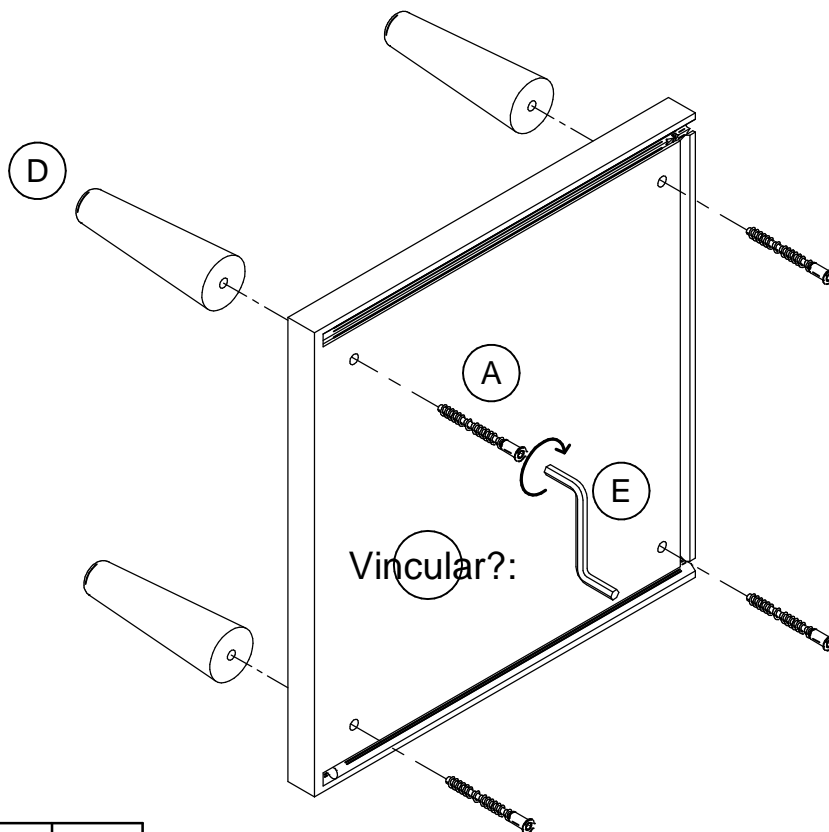
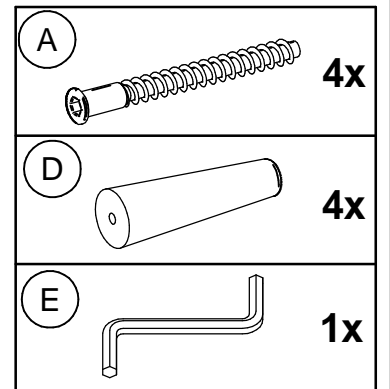


2X



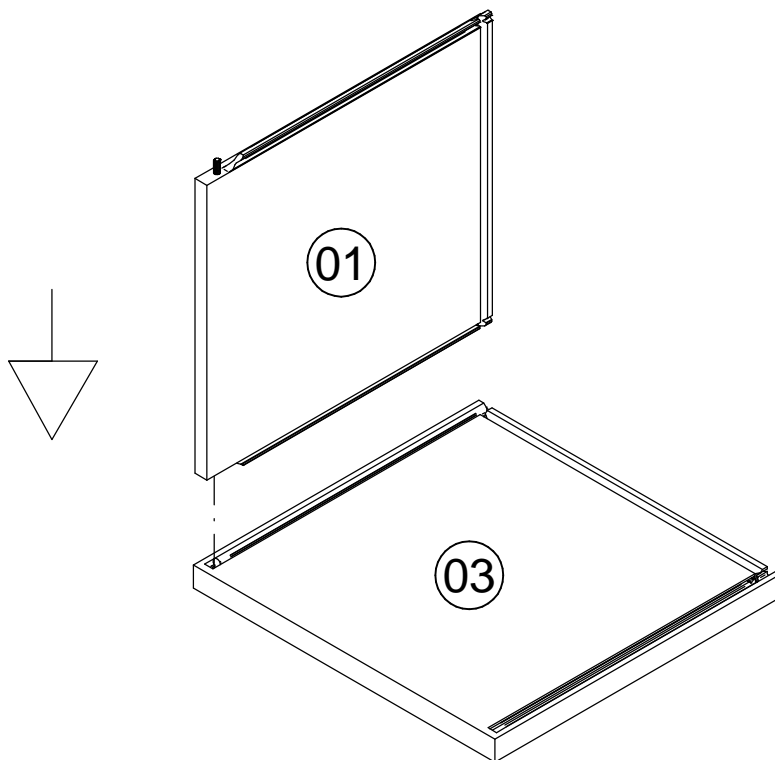
Parts Required	Qty
Panel (01)	2

STEP 2



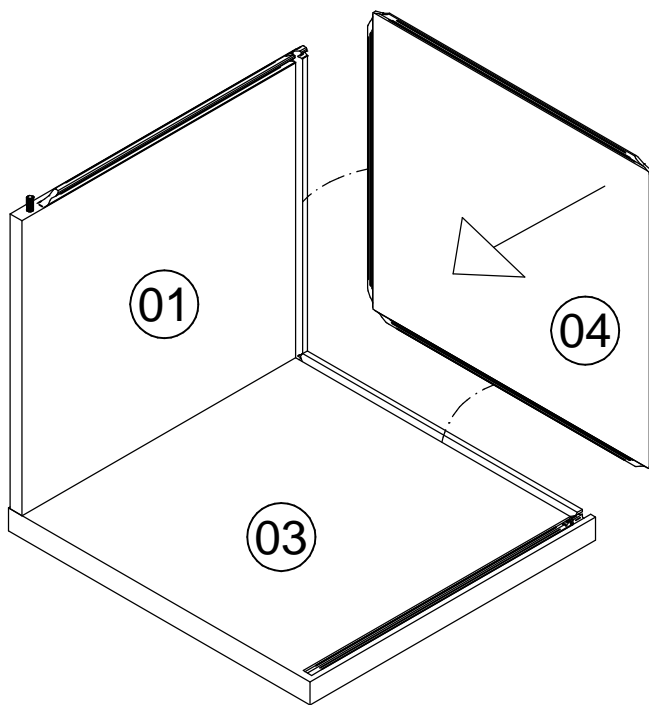
Parts Required	Qty
Panel (02)	1

STEP 3



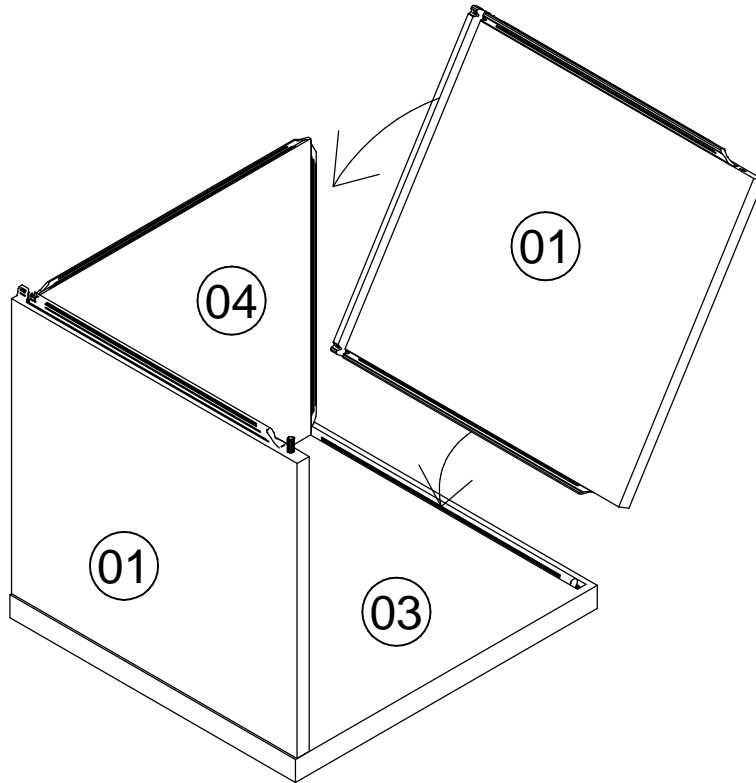
Parts Required	Qty
Panel (01)	1
Panel (03)	1

STEP 4



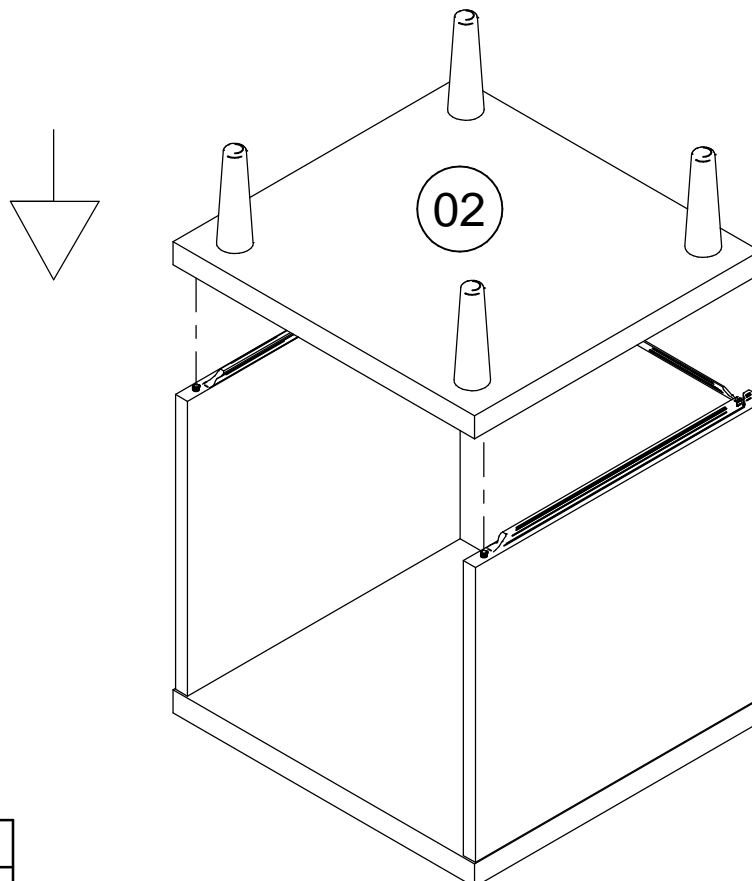
Parts Required	Qty
Panel (04)	1

STEP 5



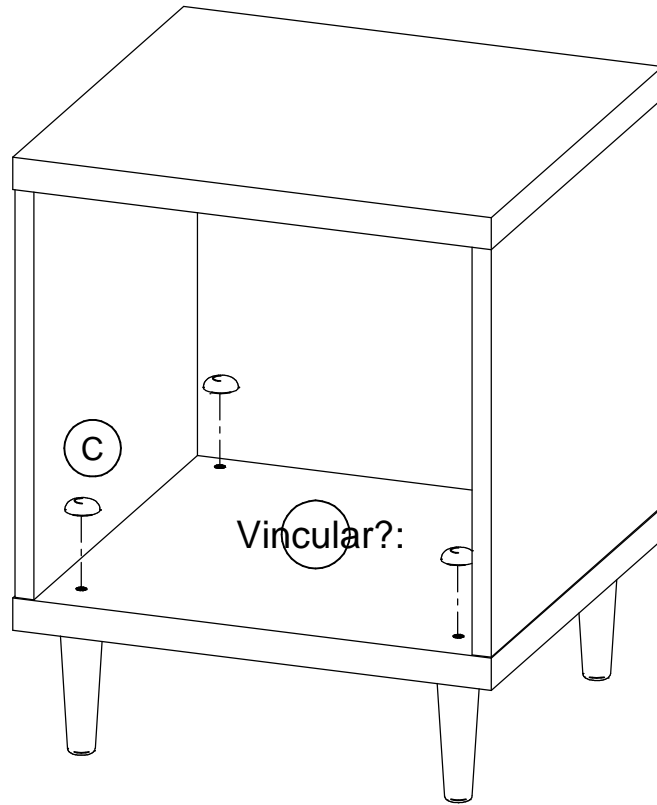
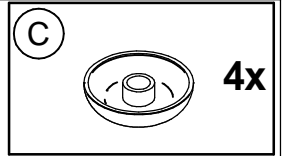
Parts Required	Qty
Panel (01)	1

STEP 6



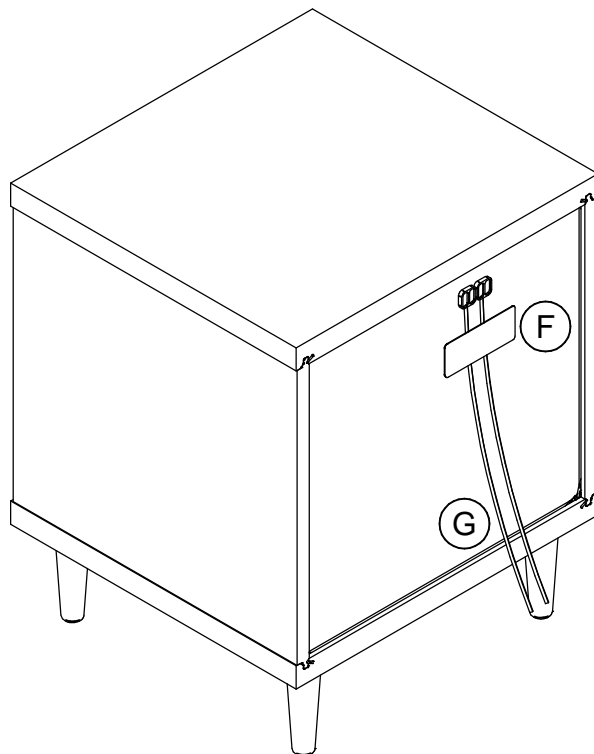
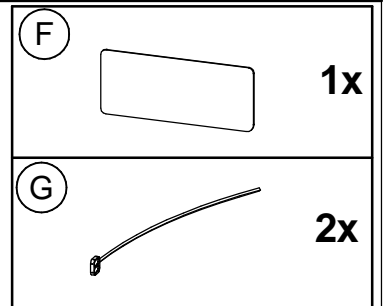
Parts Required	Qty
Panel (02)	1

STEP 7



STEP 8

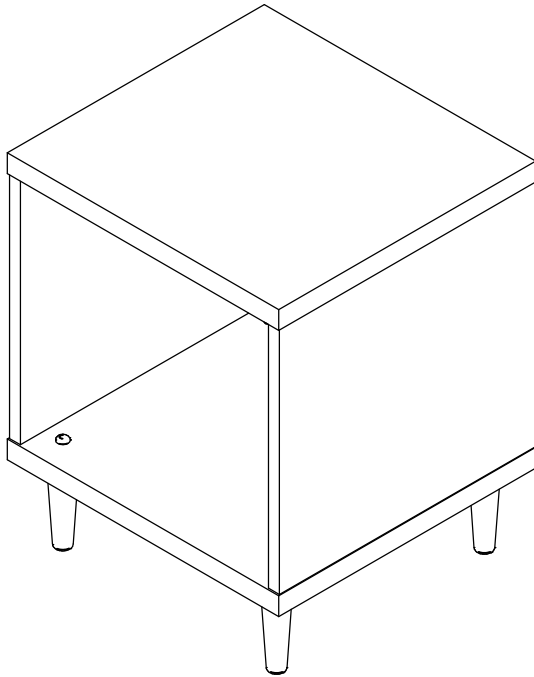
The disassembly pin can be secured at the back of the unit, or in a safe place.



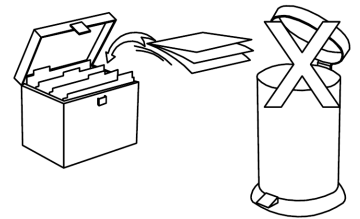
Complete Assembly

Your **PRESTO LAMP TABLE** is now completely assembled.

Periodically check to ensure that the components are in their proper position, free from damage. Also, make sure the connectors are tight and secure.



Keep instructions for future reference



Disassembly

To disassemble, insert the disassembly pin in the part "01" as illustrated in bold. Push firmly until fully inserted. Then gently tap panels a part.

